

6350DS

Drainable Stationary Louver

Extruded Aluminum



APPLICATION

The 6350DS is a 6" drainable, stationary, extruded aluminum louver designed to protect air intake and exhaust opening on exterior walls. This louver is designed with a drainable gutter system channeling water from the blades to downspouts in the jambs. Here, water is exhausted out of the front of the louver.

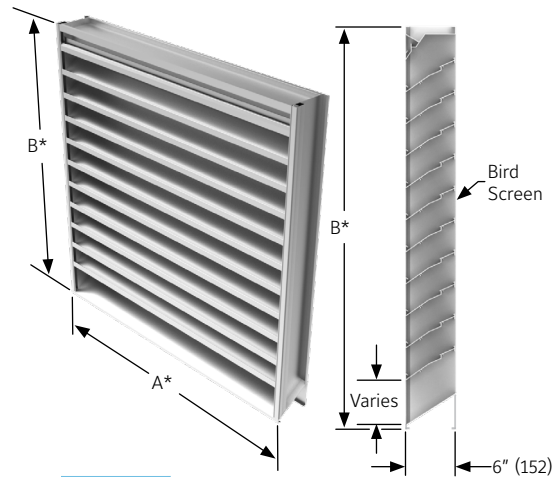
STANDARD CONSTRUCTION

Frame	6" (152) deep, 6063T6 extruded aluminum with .080" (3.2) nominal wall thickness. Downspouts and caulking surfaces provided.
Blades	6063T6 extruded aluminum with .090" (2.3) nominal wall thickness. Drainable blades are positioned at 35° angle and spaced approximately 4" (102) center to center.
Screen	5/8" x .040" (16 x 1) expanded, flattened aluminum bird screen in removable frame. Screen adds approximately 1/2" (13) to louver depth.
Finish	Mill.
Minimum Size	12"w x 12"h (305 x 305).
Approximate Shipping Weight	6 lbs. per sq. ft. (29.3 kg per m ²).
Maximum Factory Assembly Size	Single sections shall not exceed 120"w x 90"h (3048 x 2286) or 90"w x 120"h (2286 x 3048). Louvers larger than the maximum factory assembly size will require field assembly of smaller section.
Supports	Louvers may be provided with rear mounted blade supports that increase overall louver depth depending on louver size, assembly configuration or windload.

Consult Reliable for additional information.

FEATURES

- 62% Free Area.
- Beginning point of water penetration at .01 oz./sq. ft. is 1250 fpm @ .18" w.g. and 12,438 cfm.
- Published performance ratings based on testing in accordance with AMCA Publication 511.
- High performance frame system with drainable head collects and removes water to provide excellent water penetration performance.
- Drain gutter in each blade minimizes water cascade between blades.
- Continuous blades up to 120" (3048).
- All aluminum construction for low maintenance and high resistance to corrosion.



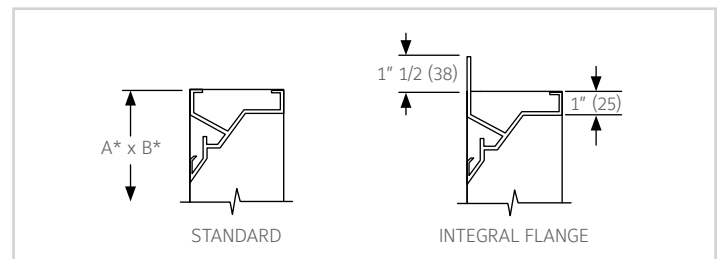
VARIATIONS

Variations to the basic design of this louver are available at additional cost. They include:

- Extended sill.
- Hinged frame.
- Front or rear security bars.
- Filter racks.
- Blank off panels.
- Clip angles.
- Universal sleeve.
- A variety of bird and insect screens.
- Optional finishes at an additional cost: prime coat, 50% PVDF (modified fluoropolymer), epoxy, Pearledize 50 & 70, 70% PVDF, clear and color anodize. (Some variation in anodize color consistency is possible).

Consult Reliable for other special requirements.

FRAME CONSTRUCTION



Note: Dimensions in inches, parenthesis () indicate millimeters.

PERFORMANCE DATA

AMCA Standard 500 provides a reasonable basis for testing and rating louvers. Testing to AMCA 500 is performed under a certain set of laboratory conditions. This does not guarantee that other conditions will not occur in the actual environment where louvers must operate.

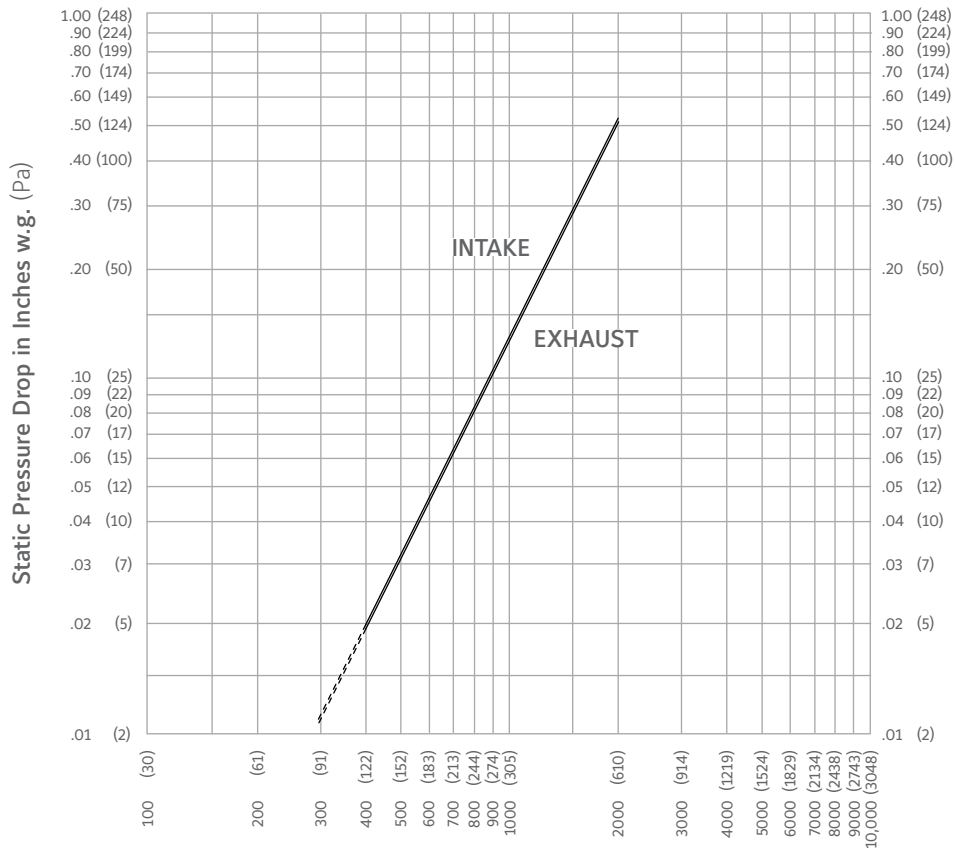
The louver system should be designed with a reasonable safety factor for louver performance. To ensure protection from water carry-over, design with a performance level somewhat below maximum desired pressure drop and .01 oz. of water penetration.

FREE AREA GUIDE

Free Area Guide shows free area in ft² and m² for various sizes of 6350DS.

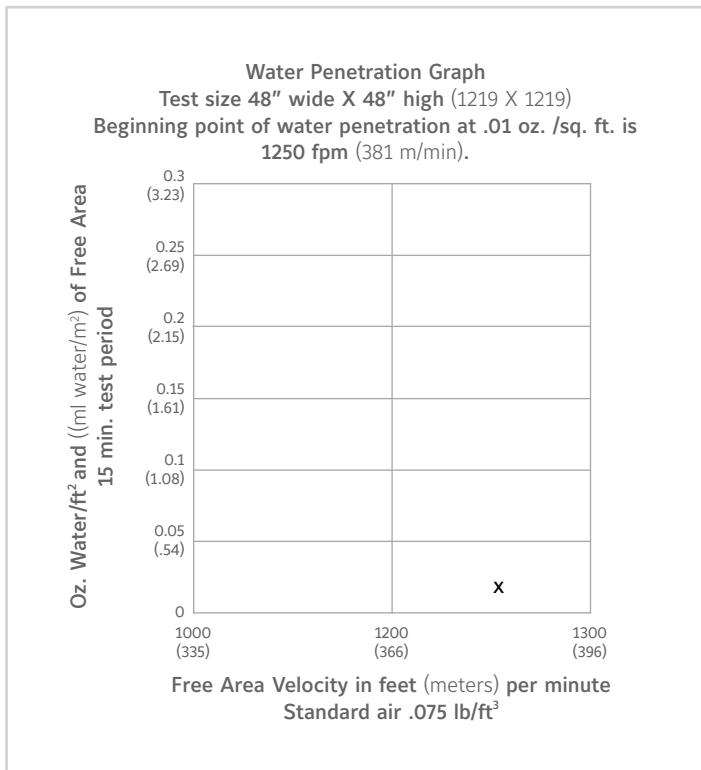
		Width – Inches and Meters																		
		12	18	24	30	36	42	48	54	60	66	72	78	84	90	96	102	108	114	120
Height – Inches and Meters		0.30	0.45	0.60	0.75	0.90	1.05	1.20	1.35	1.50	1.65	1.80	1.95	2.10	2.25	2.40	2.55	2.70	2.85	3.00
	12	0.29	0.46	0.64	0.81	0.98	1.16	1.33	1.50	1.68	1.85	2.02	2.20	2.37	2.54	2.71	2.89	3.06	3.23	3.41
	18	0.63	1.01	1.38	1.76	2.14	2.51	2.89	3.26	3.64	4.02	4.39	4.77	5.15	5.52	5.90	6.27	6.65	7.03	7.40
	24	0.97	1.55	2.13	2.71	3.29	3.87	4.45	5.03	5.61	6.19	6.76	7.34	7.92	8.50	9.08	9.66	10.24	10.82	11.40
	30	1.23	1.97	2.70	3.44	4.17	4.90	5.64	6.37	7.11	7.84	8.58	9.31	10.05	10.78	11.51	12.25	12.98	13.72	14.45
	36	1.57	2.51	3.45	4.38	5.32	6.26	7.20	8.13	9.07	10.01	10.95	11.88	12.82	13.76	14.70	15.63	16.57	17.51	18.45
	42	1.83	2.93	4.02	5.11	6.20	7.30	8.39	9.48	10.57	11.67	12.76	13.85	14.94	16.04	17.13	18.22	19.31	20.41	21.50
	48	2.17	3.47	4.76	6.06	7.36	8.65	9.95	11.24	12.54	13.83	15.13	16.43	17.72	19.02	20.31	21.61	22.90	24.20	25.50
	54	2.43	3.88	5.33	6.79	8.24	9.69	11.14	12.59	14.04	15.49	16.94	18.39	19.84	21.29	22.75	24.20	25.65	27.10	28.55
	60	2.77	4.43	6.08	7.74	9.39	11.04	12.70	14.35	16.01	17.66	19.31	20.97	22.62	24.27	25.93	27.58	29.24	30.89	32.54
	66	3.11	4.97	6.83	8.69	10.54	12.40	14.26	16.11	17.97	19.83	21.68	23.54	25.40	27.25	29.11	30.97	32.83	34.68	36.54
	72	3.37	5.39	7.40	9.41	11.42	13.44	15.45	17.46	19.47	21.48	23.50	25.51	27.52	29.53	31.54	33.56	35.57	37.58	39.59
	78	3.72	5.93	8.15	10.36	12.58	14.79	17.01	19.22	21.44	23.65	25.87	28.08	30.30	32.51	34.73	36.94	39.16	41.37	43.59
	84	3.98	6.35	8.72	11.09	13.46	15.83	18.20	20.57	22.94	25.31	27.68	30.05	32.42	34.79	37.16	39.53	41.90	44.27	46.64
	90	4.32	6.89	9.46	12.04	14.61	17.18	19.76	22.33	24.90	27.48	30.05	32.62	35.20	37.77	40.34	42.92	45.49	48.06	50.64
	96	4.58	7.30	10.03	12.76	15.49	18.22	20.95	23.68	26.40	29.13	31.86	34.59	37.32	40.05					
102	4.92	7.85	10.78	13.71	16.64	19.57	22.51	25.44	28.37	31.30	34.23	37.16	40.10	43.03						
108	5.26	8.39	11.53	14.66	17.80	20.93	24.06	27.20	30.33	33.47	36.60	39.74	42.87	46.01						
114	5.52	8.81	12.10	15.39	18.68	21.97	25.26	28.55	31.84	35.13	38.42	41.70	44.99	48.28						
120	5.86	9.35	12.84	16.34	19.83	23.32	26.81	30.31	33.80	37.29	40.79	44.28	47.77	51.26						

PRESSURE DROP



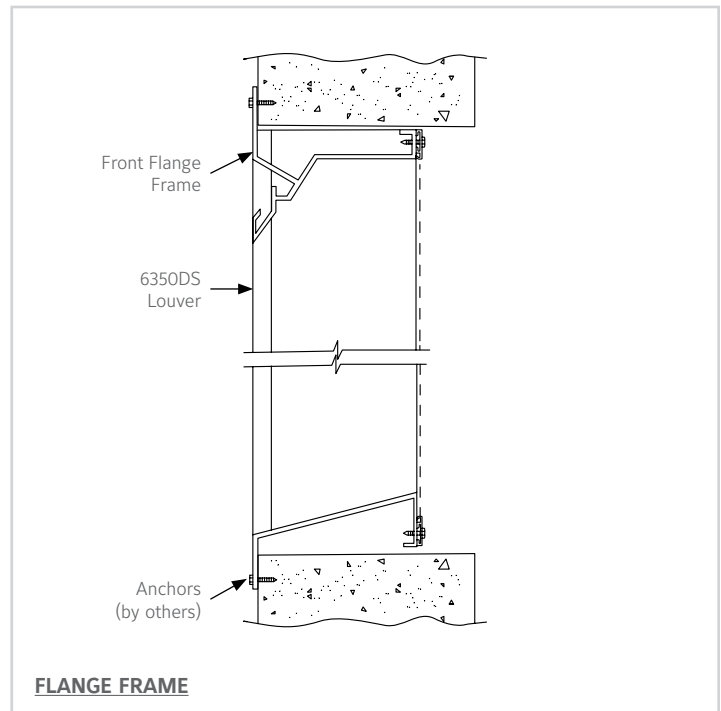
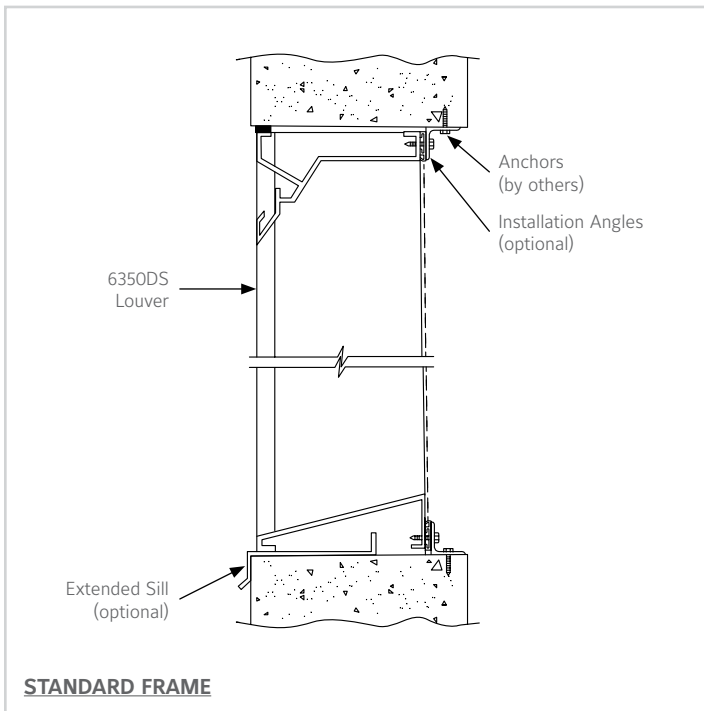
Free Area Velocity in feet (meters) per minute through free area.
(Data corrected to standard air density and AMCA figure or figures tested to 5.5)

WATER PENETRATION



Reliable Products certifies that the 6350DS louvers shown herein are licensed to bear the AMCA Seal. The ratings shown are based on tests and procedures performed in accordance with AMCA Publication 511 and comply with the requirements of the AMCA Certified Ratings Program. The AMCA Certified Ratings Seal applies to air performance ratings and water penetration ratings only.

FRAME CONSTRUCTION



Optional items are available at additional cost. Anchors or other fasteners securing installation angles to substrate are by others.

SUGGESTED SPECIFICATION

Furnish and install louvers as hereinafter specified where shown on plans or as described in schedules. Louvers shall be stationary drainable type with drain gutters in each blade and downspouts in jambs and mullions. Louvers shall have a minimum of 62% free area based on a 48" wide x 48" high (1219 x 1219) size. Stationary drainable blades shall be contained within a 6" (152) frame. Louver components (heads, jambs, sills, blades, & mullions) shall be factory assembled by the louver manufacturer. Louver sizes too large for shipping shall be built up by the contractor from factory assembled louver sections to provide overall sizes required. Louver design shall limit span between visible mullions to 10 feet (3) and shall incorporate structural supports required to withstand a windload of 30 lbs. per sq. ft. (1. 4kPa) (specifier may substitute any loading required).

Louvers shall be Ruskin Model 6350DS extruded 6063T6 aluminum alloy construction as follows:

Frame: 6" (152) deep, .080" wall thickness head and jambs. 6350DS - .125" (3.2) wall thickness at sill.

Blades: 6350DS .090" (2.3) wall thickness. Drainable blades positioned at 35° angle and spaced approximately 4" (102) center to center.

Screen: 5/8" x .040" (16 x 1) expanded, flattened aluminum in removable frame.

Finish: Select finish specification from Reliable Finishes Brochure.

Published louver performance data bearing the AMCA Certified Ratings Seal for Air Performance & Water Penetration must be submitted or approval prior to fabrication and must demonstrate pressure drop and water penetration equal to or less than the Ruskin model specified.

LINKS TO IMPORTANT DOCUMENTS

Document Title

Finishes and Color Guide

Limited Warranty Document

RELIABLE

1300 Enterprise Road, P.O. Box
580, Geneva, Alabama 36340
Tel: 334-684-3621
Tel: 800-624-3914
Fax: 800-508-1469