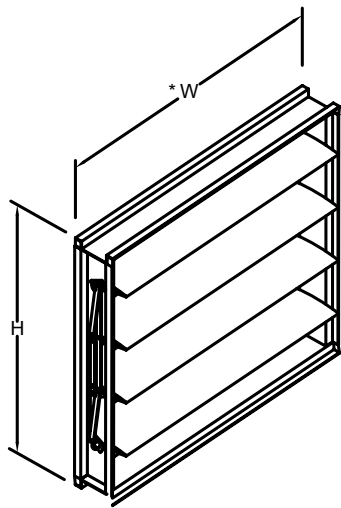


Model CD-200-AF & CD-201-AF Damper



* Undersized 1/4"
Standard



Suggested Specifications

Furnish and install at location shown on drawing, or in accordance with schedules, dampers meeting the following specifications: Rectangular damper shall have double thick, galvanized steel (equivalent to 14 gauge) blades with galvanized steel rollformed frame. Damper to meet the low pressure drop and low leakage equal to Metropolitan Air Technology's model CD-200-AF, CD-201-AF.

Standard Construction

- Frame: Rollformed Galvanized Steel
- Blade: 5"-7" wide galvanized steel airfoil (double skin construction of 14 ga equivalent thickness)
- Extended Shaft: 1/2" diameter
- Bearing: Bronze Nylon
- Linkage: Concealed in frame
- Axles: Zinc plated
- Blade Seals: Silicone (400°F)
- Jamb Seals: Stainless steel (compression)

Options

- Stand Off Bracket, 2"
- Header plates (end flange)
- Hand quadrant
- Chain operated
- Factory Installed Pneumatic or Electric Actuators
- Face and By-pass damper
- Position switch
- Stainless steel bearings
- Heresite coated (air dry)
- Epoxy coated (powder coated @ 415°)
- Bronze oilite bushing
- Flange frame (one side)
- Stainless Steel bushing
- Insulated (1/2" fiberglass)

Min. Size 8"w x 6"h

Max. Size 48w x 60"h (single section)
9" h and under - single blade
Multi-section: unlimited

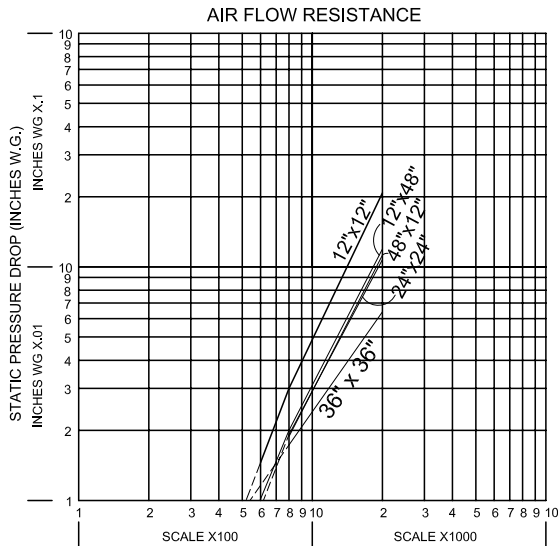


Model CD-200-AF (opposed) & CD-201-AF (parallel)

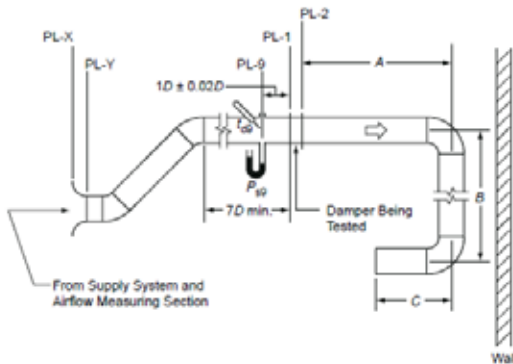
6235 South Oak Park Avenue Chicago, IL 60638 USA
Toll free: 800.585.7686 +1.708.552.4040
Fax: +1.708.594.0396 www.metairtech.com

Represented by:

Model CD-200-AF & CD-201-AF Damper Performance Data



CD-200-AF, CD-201-AF sizes: 12" x 12", 24" x 24", 48" x 12", 12" x 48", 36" x 36" (305 x 305mm, 610 x 610mm, 1219 x 305mm, 305 x 1219mm, 914 x 914mm)
Data corrected to standard air density
Pressure drop test per AMCA Standard 500-D, Figure 5.3.



AMCA Figure 5.3 Pressure Drop



Metropolitan Air Technology certifies that the CD-200-AF & CD-201-AF is licensed to bear the AMCA Seal. The ratings shown are based on tests and procedures performed in accordance with AMCA Publication 511 and comply with the requirements of the AMCA Certified Ratings Program. The AMCA Certified Rating Seal applies to Air Performance and Air Leakage ratings.

12"x48" Pressure Drop			
Face Velocity		Pressure Drop	
fpm	(m/s)	inches w.g.	(Pa)
592	3.02	0.01	2
793	4.04	0.02	5
1191	6.07	0.04	10
1591	8.11	0.08	20
2002	10.21	0.12	30

Pressure drop test per AMCA Standard 500-D, Figure 5.3.

12"x12" Pressure Drop			
Face Velocity		Pressure Drop	
fpm	(m/s)	inches w.g.	(Pa)
587	2.99	0.02	4
801	4.09	0.03	8
1208	6.16	0.08	21
1608	8.20	0.14	34
2023	10.32	0.22	55

Pressure drop test per AMCA Standard 500-D, Figure 5.3.

24"x24" Pressure Drop			
Face Velocity		Pressure Drop	
fpm	(m/s)	inches w.g.	(Pa)
599	3.05	0.009	2
796	4.06	0.02	5
1196	6.10	0.04	10
1596	8.14	0.07	18
1998	10.19	0.11	28

Pressure drop test per AMCA Standard 500-D, Figure 5.3.

36"x36" Pressure Drop			
Face Velocity		Pressure Drop	
fpm	(m/s)	inches w.g.	(Pa)
598	3.05	0.006	1
797	4.06	0.01	2
1195	6.09	0.02	5
1596	8.14	0.04	10
2005	10.23	0.06	16

Pressure drop test per AMCA Standard 500-D, Figure 5.3.

48"x12" Pressure Drop			
Face Velocity		Pressure Drop	
fpm	(m/s)	inches w.g.	(Pa)
592	3.02	0.008	2
796	4.06	0.02	4
1191	6.07	0.04	10
1592	8.12	0.07	18
2001	10.21	0.11	28

Pressure drop test per AMCA Standard 500-D, Figure 5.3.

Represented by:

6235 South Oak Park Avenue Chicago, IL 60638 USA
Toll free: 800.585.7686 +1.708.552.4040
Fax: +1.708.594.0396 www.metairtech.com

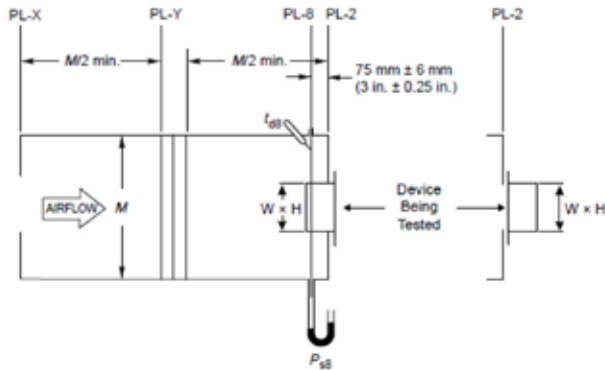
Model CD-200-AF & CD-201-AF Damper Performance Data

AMCA Standards

Pressure Class	Leakage, ft ³ /min /ft ²			
	Required Rating		Extended Ranges (optional)	
	1"	4"	8"	12"
1A	3	n/a	n/a	n/a
1	4	8	11	14
2	10	20	28	35
3	40	80	112	140

All data corrected to represent standard air at a density of 0.075 lbs/ft³

Air leakage is based on operation between 50° F to 104° F. All data corrected to represent air density of 0.075 lbs/ft³. Tested per AMCA Standard 500-D (leakage), figure 5.4 Alternate.



AMCA Standard 500-D (leakage), figure 5.4 Alternate.

Leakage Performance

Imperial Units (Forward Flow)

Damper Width X Height	1 in. w.g. Class	4 in. w.g. Class	8 in. wg Class	*Torque (per sq. ft.)
12" X 48"	Class 1	Class 1	Class 2	27.5 lbs-in
36" X 36"	Class 1A	Class 1	Class 1	10 lbs-in
48" X 36"	Class 1A	Class 1	Class 2	9 lbs-in

Imperial Units (Reverse Flow)

Damper Width X Height	1 in. w.g. Class	4 in. w.g. Class	8 in. wg Class	*Torque (per sq. ft.)
12" X 48"	Class 1	Class 1	Class 1	27.5 lbs-in
36" X 36"	Class 1A	Class 1	Class 2	10 lbs-in
48" X 36"	Class 1A	Class 1	Class 2	9 lbs-in

*Torque applied to hold damper in closed position

Air leakage is based on operation between 50° F to 104° F. All data corrected to represent air density of 0.075 lbs/ft³.

Standard International Units (Forward Flow)

Damper Width X Height (mm)	250 Pa Class	1 KPa Class	2 KPa Class	*Torque (per sq. m.)
305 X 1220	Class 1	Class 1	Class 2	33.58 N-m
915 X 915	Class 1A	Class 1	Class 1	12.15 N-m
1220 X 915	Class 1A	Class 1	Class 2	10.94 N-m

Standard International Units (Reverse Flow)

Damper Width X Height (mm)	250 Pa Class	1 KPa Class	2 KPa Class	*Torque (per sq. m.)
305 X 1220	Class 1	Class 1	Class 1	33.58 N-m
915 X 915	Class 1A	Class 1	Class 2	12.15 N-m
1220 X 915	Class 1A	Class 1	Class 2	10.94 N-m

*Torque applied to hold damper in closed position

Air leakage is based on operation operation between 10°C - to 40°C. All data corrected to represent air density of 1.201 kg/m³.

