

Pressure Relief Damper

PRD Series

PRD 50 - 100



Description

Pressure Relief Dampers are used in intake and discharge openings in commercial and residential ventilation systems. When the ventilation system is on, the blades of the pressure relief damper are held in the open position by the airflow. If the system is switched off, the damper blades close automatically, thus preventing reverse airflow and giving protection against the ingress of untempered air, rain and birds into the ventilation system.

Construction Standard

FRAME:

Gauge 18 (1.2mm thick) formed galvanized steel sheet.

BLADES:

100mm maximum width, 0.75mm thick mill finish aluminum sheet. Sealing strip on blades in foam gasket.

LINKAGE:

Galvanized steel sheet 28mm x 22 Gauge.

BEARINGS:

Bearing section in plastic, 6mm diameter.

SHAFTS:

Blade stub shafts in brass.

MINIMUM SIZE:

100mm X 100mm (4in X 4in).

MAXIMUM SIZE:

700mm X 1000mm (W X H) as single section without mullion.
2000mm X 2000mm (W X H) as single section with horizontal and vertical mullions.

Consult SAFID for multiple section assembly details.



SAFID certifies that the Pressure Relief Damper shown herein is licensed to bear the AMCA Seal for Model PRD 50-100 & PRD 50A-100. The ratings shown are based on tests and procedures performed in accordance with AMCA Publication 511 and comply with the requirements of the AMCA Certified Ratings Program. The AMCA Certified Ratings Seal applies to Air Performance Ratings.

Test Information

Tested for air performance in accordance with ANSI / AMCA Standard 500-L-12 (Pressure Drop), Figure 5.4 and 5.5.

PRD 50 - 110

General construction as type PRD 50 - 100 damper but frame and blades are all from mill finish aluminum sheets.

PRD 50 - 120

General construction as type PRD 50 - 100 damper but frame and blades are all from galvanized steel sheets construction with counter weight.

PRD 50 - 130

General construction as type PRD 50 - 100 damper but with frame built of stainless steel sheet type 304, 2B finish.

Catalog ID: PRD 50-100 & PRD 50A-100

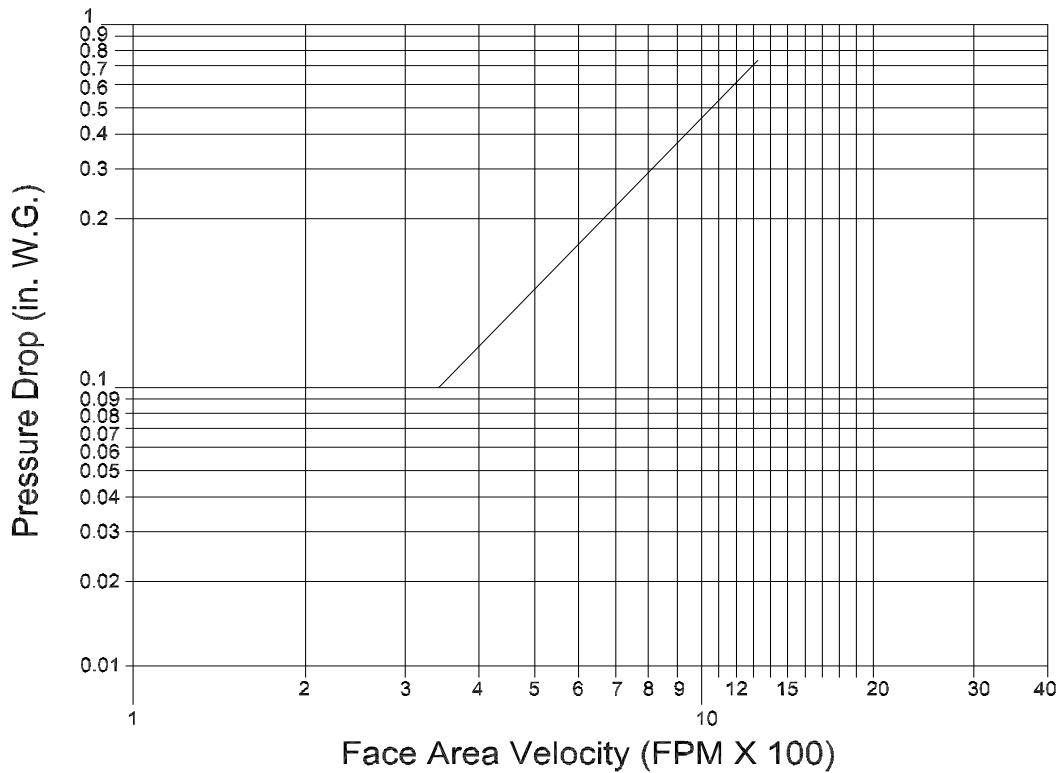
January 29, 2014

Right to alterations reserved.

Air Performance

Pressure Drop

Intake Airflow Direction
PRD 50 - 100



Safid certifies that the Pressure Relief Damper shown herein is licensed to bear the AMCA Seal for Model PRD 50-100 & PRD 50A-100. The ratings shown are based on tests and procedures performed in accordance with AMCA Publication 511 and comply with the requirements of the AMCA Certified Ratings Program. The AMCA Certified Ratings Seal applies to Air Performance Ratings.

Test Information

Tested for air performance in accordance with ANSI / AMCA Standard 500-L-12 (Pressure Drop), Figure 5.4.

Catalog ID: PRD 50-100 & PRD 50A-100

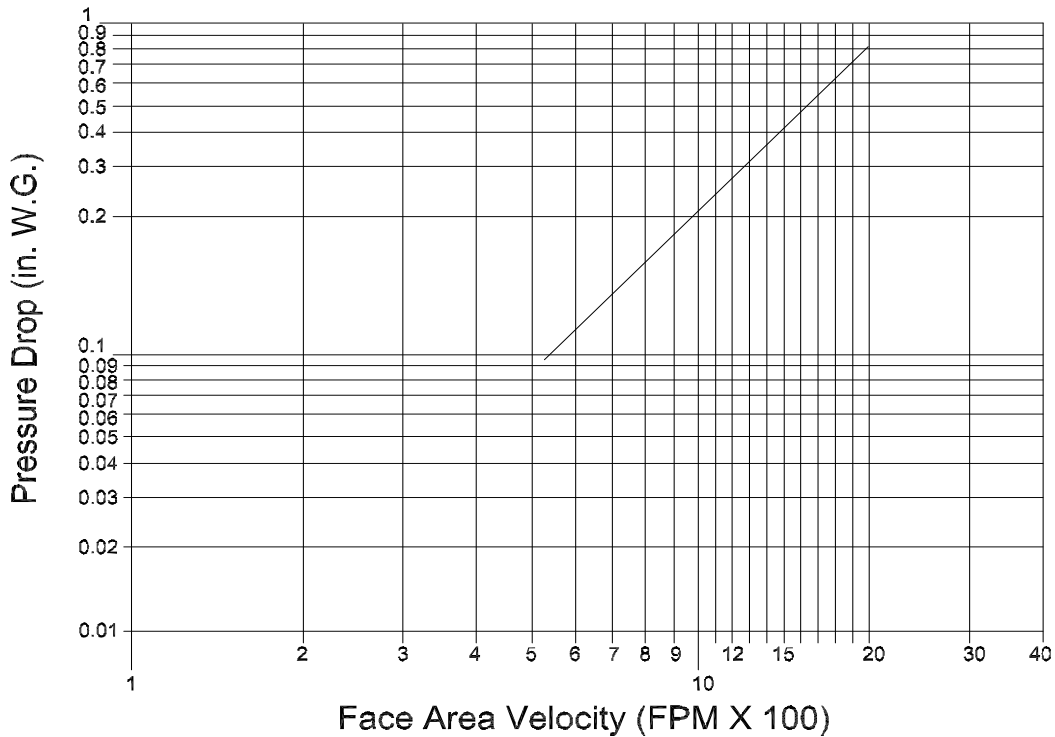
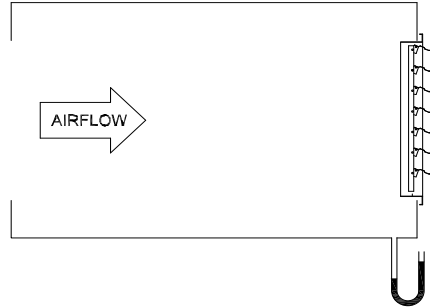
January 29, 2014

Right to alterations reserved.

Air Performance

Pressure Drop

Intake Airflow Direction
PRD 50A - 100



Safid certifies that the Pressure Relief Damper shown herein is licensed to bear the AMCA Seal for Model PRD 50-100 & PRD 50A-100. The ratings shown are based on tests and procedures performed in accordance with AMCA Publication 511 and comply with the requirements of the AMCA Certified Ratings Program. The AMCA Certified Ratings Seal applies to Air Performance Ratings.

Test Information
Tested for air performance in accordance with ANSI / AMCA Standard 500-L-12 (Pressure Drop), Figure 5.5.

Catalog ID: PRD 50-100 & PRD 50A-100

January 29, 2014

Right to alterations reserved.

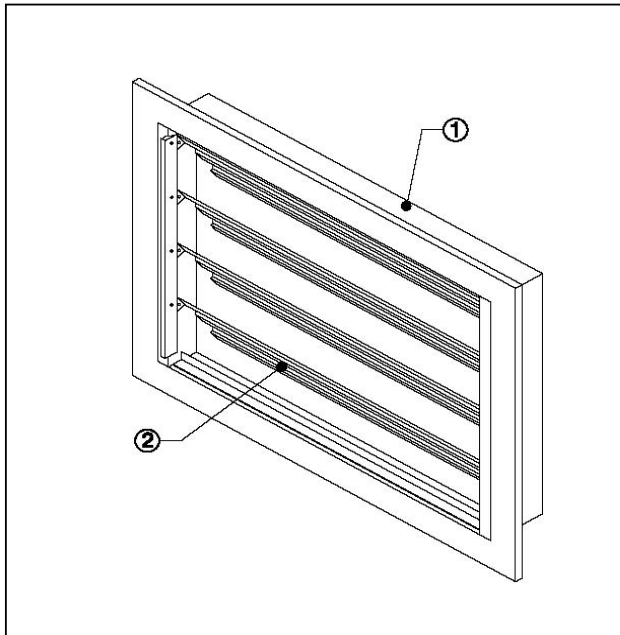
Pressure Relief Damper

PRD Series

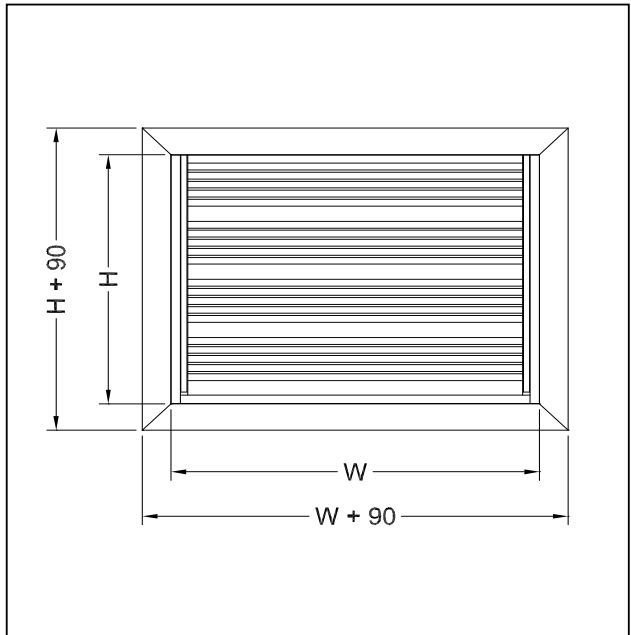
Construction - Dimension and details

1 - Casing	3 - Bearing Section	5 - Sealing Strip
2 - Blades	4 - Linkage	

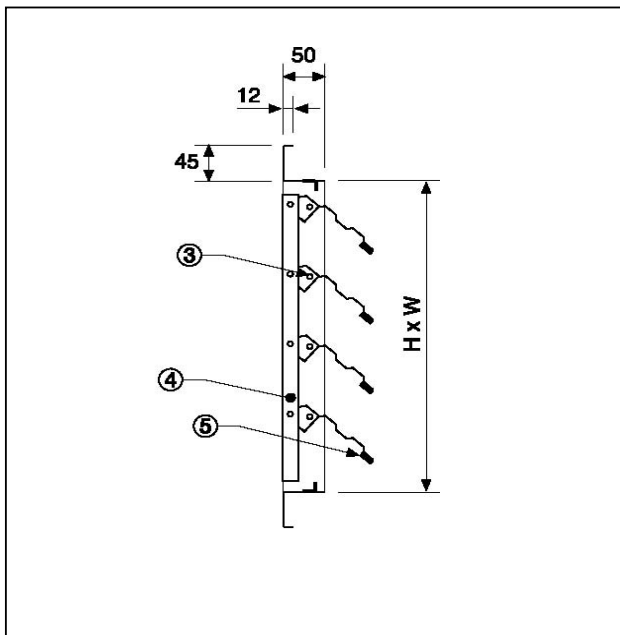
PRD 50



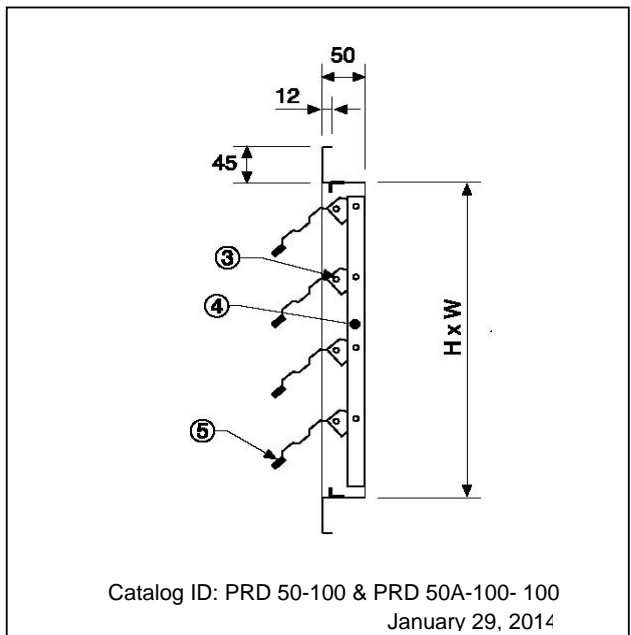
PRD 50 - 100...110...120...130



PRD 50 - 100...110...120...130



PRD 50A - 100...110...120...130

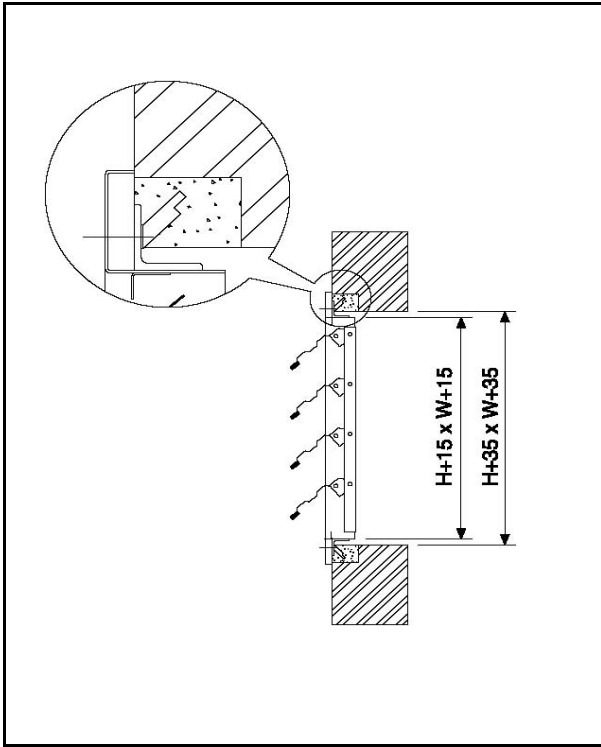


Right to alterations reserved.

Pressure Relief Damper

PRD Series

Installation Details



Order Example

Product Type: PRD 50 - 100 - aaa x aaa

PRD 50 - 100 _____

PRD 50 - 110 _____

PRD 50 - 120 _____

PRD 50 - 130 _____

PRD 50A - 100 _____

PRD 50A - 110 _____

PRD 50A - 120 _____

PRD 50A - 130 _____

Sizes _____

STANDARD

Make: SAFID

Type : PRD 50 - 100 - 500 x 500

Type : PRD 50A - 100 - 500 x 500

Standard Sizes

W	H
100	100
100	200
150	300
200	400
250	500
300	600
350	700
400	800
450	900
500	1000
600	1200
700	1300
800	1400
900	1500
1000	1600
1200	1700

Specification Text

Pressure Relief Dampers are used for intake and discharge openings in ventilation systems to prevent reverse airflow and for protection against ingress of rain into ventilation systems. Basically the frame is built of galvanised steel (standard) or aluminum and corrugated aluminum blades (standard) with blade seals opening and closing automatically.

Catalog ID: PRD 50-100 & PRD 50A-100

January 29, 2014

Right to alterations reserved.