



21925 Industrial Blvd.
Rogers, MN 55374
866-260-4047
www.americlad.com

AC-97SC STATIONARY WIND DRIVEN RAIN RESISTANT LOUVER CHANNEL FRAME

STANDARD CONSTRUCTION

FRAME

- 7" deep, 6063-T5 extruded aluminum with a .081" nominal wall thickness

BLADES

- 6063-T5 extruded aluminum with a .068" nominal wall thickness
- Double drainable, sight-proof blades spaced on approximately 3.75" centers

SCREEN

- .075" x .051" thick, aluminum flattened expanded metal bird screen in a removable frame
- Screen will add approximately 0.5" to the overall louver depth

FINISH

- Mill Finish

MINIMUM LOUVER SIZE

- 12" wide x 12" high

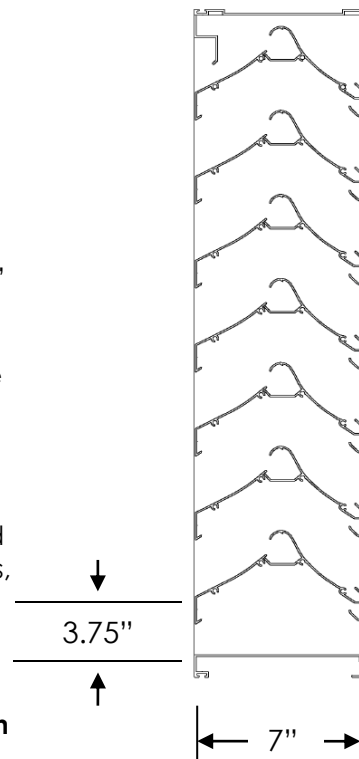
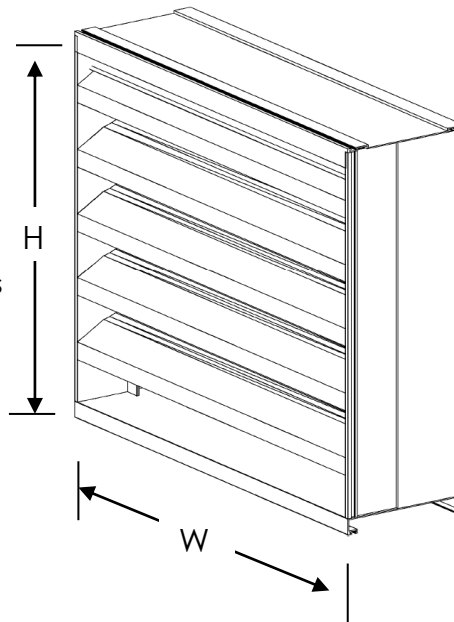
MAXIMUM LOUVER SIZE

- 70 square feet per section
- Single section size not to exceed 120" wide x 84" high or 84" wide x 120" high
- Louvers exceeding the maximum single section size will be built in multiple sections and require field assembly

BLADE BRACE SUPPORT ANGLES

- Depending on louver size, wind load, or other special requirements, louvers will have rear mounted blade support angles that will increase overall louver depth

Note: Louvers built .25" smaller than opening size given



STANDARD FEATURES

- Special blade design and close spacing helps minimize penetration of wind-driven rain for excellent weather protection
- Aluminum construction, providing a high resistance to corrosion
- 47% Free Area (based on a 48" x 48" unit)
- Tested in accordance with AMCA 500-L Laboratory Methods of testing Wind-Driven Rain Performance
- Published performance ratings data based on testing in accordance with AMCA Publication 511

OPTIONS AVAILABLE

Many optional accessories to the basic design are available at an additional cost, including:

- Sill extension/head flashing
- Hinged frame/channel subframe
- Security bars
- Filter rack
- Bird/insect screens (please refer to screen submittal)
- Blank-off panels (standard or insulated)

FINISHES

- Kynar 500/Hylar 5000
- Baked Enamel
- Prime Coat
- Anodized in various colors and shades (some color variation is possible with anodized finishes)

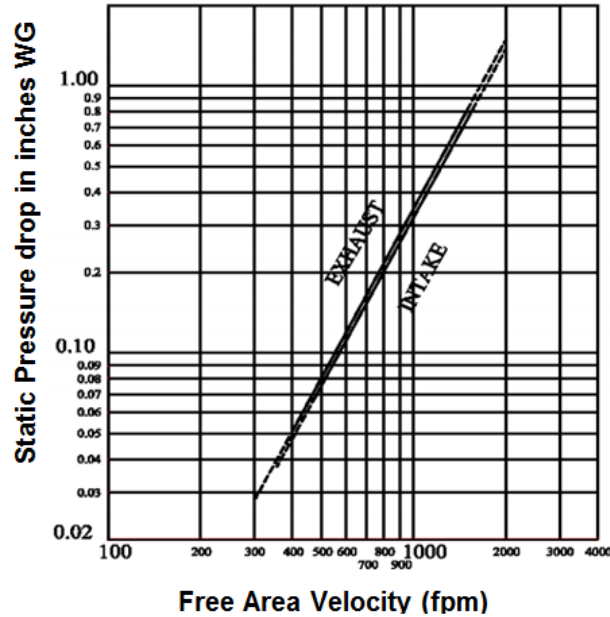
Contact Quality Metalcrafts, LLC / AMERICLAD® for any additional information or any special requirements

AC-97SC PERFORMANCE DATA SHEET



Quality Metalcrafts, LLC certifies that the product line shown herein is licensed to bear the AMCA seal. The ratings shown are based on tests and procedures performed in accordance with AMCA Publication 511 and comply with the requirements of the AMCA Certified Ratings Program. The AMCA Certified Rating Seal applies to air performance and wind-driven rain ratings only.

PRESSURE DROP
(Based on 48" x 48" louver)



WIND-DRIVEN RAIN PERFORMANCE

Wind Velocity (mph)	Rain Fall Rate (in./hr.)	Core Velocity (fpm)	Airflow (cfm)	Free Area Velocity (fpm)	Effectiveness Ratio	Class	Discharge Loss Class
29	3	191	2061	387	99	A	3
29	3	383	4120	776	95.6	B	3

Discharge Loss Coefficient Classifications	
Class	Discharge Loss Coefficient
1	0.4 and Above
2	0.3 to 0.399
3	0.2 to 0.299
4	0.199 and Below

Wind-Driven Rain Penetration Classes	
Class	Effectiveness
A	1 to 0.99
B	0.989 to 0.95
C	0.949 to 0.80
D	Below 0.80

AC-97SC FREE AREA CHART

Free area chart shows square feet of free area of various louver sizes

H/W	12	24	36	48	60	72	84	96	108	120
12	0.18	0.40	0.63	0.85	1.08	1.30	1.53	1.76	1.98	2.21
24	0.61	1.39	2.17	2.94	3.72	4.49	5.27	6.05	6.82	7.60
36	1.09	2.48	3.86	5.25	6.63	8.02	9.40	10.79	12.17	13.56
48	1.58	3.57	5.57	7.57	9.57	11.57	13.57	15.56	17.56	19.56
60	2.06	4.67	7.28	9.90	12.51	15.12	17.73	20.34	22.95	25.57
72	2.50	5.66	8.82	11.99	15.15	18.32	21.48	24.65	27.81	30.97
84	3.08	6.97	10.87	14.77	18.67	22.57	26.47	30.37	34.26	38.16
96	3.41	7.73	12.06	16.38	20.71	25.03	29.35	33.68	38.00	42.33
108	3.89	8.83	13.77	18.71	23.64	28.58	33.52	38.45	43.39	48.33
120	4.38	9.93	15.48	21.03	26.58	32.13	37.68	43.23	48.78	54.33