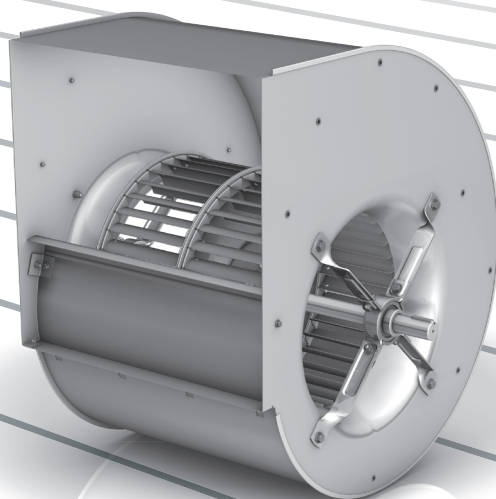


Centrifugal Fans belt driven

TD_CFB-ADY_EN
Issue 1.1 EN
July 2013

ADY



AMCA



Nicotra Gebhardt S.p.A. certifies that the fan shown herein is licensed to bear the AMCA Seal.

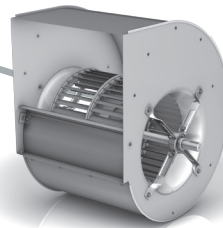
The ratings shown are based on tests and procedures performed in accordance with AMCA publication 211 and AMCA publication 311 and comply with the requirements of the AMCA Certified Ratings Program.

The Nicotra Gebhardt portfolio

A strong provider for many optimal solutions

When it comes to radial fans, we are the first people you should talk to. From belt-driven radial fans to plugfans, it's all there in our product portfolio. We offer the largest, most comprehensive range of products in this area – and of course the matching services.

ADY



double-inlet
forward-curved
impeller geometry

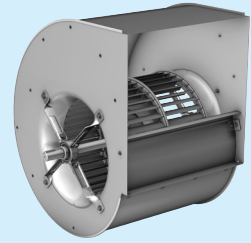
High performance centrifugal fan ADY

double inlet for belt drive

impeller with forward curved blades of galvanised sheet steel

▶ Volume up to 300,000 m³/h

▶ Pressure up to 2,200 Pa



ADY

Fittings / Accessories

▶ complete system accessories

▶ miscellaneous fittings

Accessories

Description

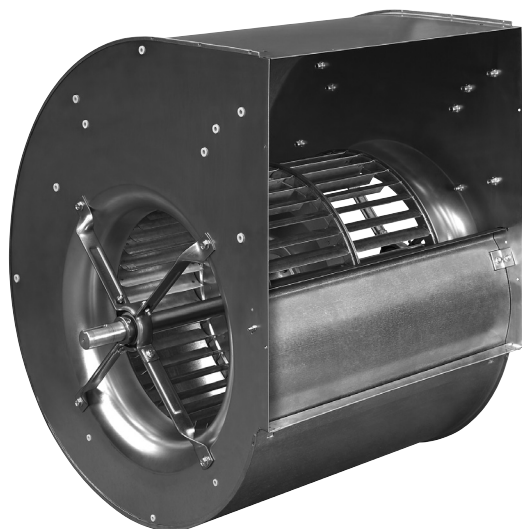
▶ technical description

▶ operating limits



Description

Working towards perfection



The ADY series

This fan range employs housings with square-shaped outlet and sizes from the R20 normal number series, in accordance to AMCA Standard 99-0098 76 and to ISO 497-1973.

The ADY range is made of double width, double inlet centrifugal fans.

Volume flow rate from 450 m³/h to 240.000 m³/h

Total pressure up to 2500 Pa.

Construction versions

ADY fans are available in the following versions:

Version	L	R	K	K1	K2
Sizes	0160/-0710	0160/-0710	0200/-1000	0315/-0900	0500/-1000

Twin fan versions

Where a limited fan height is required, ADY fans are available also in double or twin fan versions, with two double inlet impellers on a common shaft, supported by three or four bearings. These versions are identified by the G2 prefix. Double fans are available in the following sizes:

Version	G2L	G2R	G2K	G2K2
Sizes	0160/-0500	0160/-0630	0250/-1000	0250/-1000



Construction Specifications

The construction standard used for Nicotra Gebhardt ADY fans is inspired to the maximum strength and reliability, independently from the construction version.

Common characteristics of these products are:

- product quality
- high performance
- outmost economy
- quietness
- ease of assembly

Scrolls

All the scrolls are made with hot dip galvanised steel EN 10142. No electrical spot welding is used as the scroll back is joined to the side plates with the Pittsburgh lock forming system. This prevents any oxidation starting from the welding spots.

Attachment points on the side plates

Standard holes in the side plates are used to attach mounting feet or side frames to create different versions. Up to size 400, self-threading screws are used, while all the larger sizes have captive nuts for use with M10 screws.

Impellers

ADY impellers have specially-designed Tab-lock forward curved blades, built from cold-formed, galvanised steel "Sendzimir". ADY impellers are statically and dynamically balanced according to ISO 1940 with grade G4.

Side frames

Light-construction side frames of the R and G2R versions are made with coldformed, galvanised steel "Sendzimir" type EN 10142. Heavy-duty side frames of the K, K1, K2, 2K and G2K2 versions are made with hot-rolled steel sections, welded and coated with alchidic-melamminic paint RAL 7030. As an option, they can be protected with hot dip galvanising.

Shafts

Manufactured from precision ground, C45 carbon steel bars, using precision tools to cut keyways. All the shafts are coated, after assembly, with a clearly distinguishable, bright yellow protective paint. Stainless steel shafts can be provided on request. Shaft diameters are selected to achieve a safety factor for critical speed ≥ 1.25 higher than the maximum operating speed.

The product range at a glance

The technical specifications of the ADY series

The standard series are designed for permanent ventilation at up to +80 °C resp. +100 °C. The specifications conform to accuracy class 2 according to DIN 24166.






ADY Series





- ▶ Sizes 0160 up to 1000
- ▶ Lap jointed scroll of galvanized sheet steel with Pittsburgh-Seam and V-cut off
- ▶ Volume up to 240.000 m³/h
- ▶ Pressure up to 2500 Pa

The ADY range of models:

The right fan for every specification!

Depending on the fan size, the ADY series have up to 5 mechanical versions of the single fan and up to 4 additional twin fan options. In this way, we ensure that we have the perfect model for all requirements and any application.

Version	Description	Figure
ADY L	Lap jointed scroll without feet and discharge flange. Light duty bearing execution with pressed steel housing/strut assemblies.	
ADY R	Lap jointed scroll with rectangular side frame, without discharge flange. Light duty bearing execution with pressed steel housing/strut assemblies.	
ADY K	Lap jointed scroll with heavy duty reinforced side frames, without discharge flange. Medium duty bearing execution with cast iron pillow block, mounted on a robust pedestal.	
ADY K1	Lap jointed scroll with heavy duty reinforced side frames, without discharge flange. Medium-heavy duty bearing execution with cast iron pillow block, mounted on a robust pedestal.	
ADY K2	Lap jointed scroll with heavy duty reinforced side frames, without discharge flange. Heavy duty bearing execution with single-piece resp. split-type plummer block, mounted on a robust pedestal.	

Version	Description	Figure
ADY G2L	The two single fans ADY L are fitted together to a robust assembly by means of 3 U-channels. Both impellers are fitted on a common shaft supported by 3 bearings.	
ADY G2R	The two single fans ADY R are fitted together to a robust assembly by means of 3 angle bars. Both impellers are fitted on a common shaft supported by 3 bearings.	
ADY G2K	The two single fans ADY K are fitted together to a robust assembly by means of 3 angle bars. Both impellers are fitted on a common shaft supported by 3 bearings (sizes 0250/-0630) or the fans have separated shafts being connected by a elastic coupling (sizes 0710/-1000).	
ADY G2K2	The two single fans ADY K2 are fitted together to a robust assembly by means of 3 angle bars. Both impellers are fitted on a common shaft supported by 3 bearings (sizes 0250/-0630) or the fans have separated shafts being connected by a elastic coupling (sizes 0710/-1000).	

Example of Selection

Technical Data Example of Selection

Total pressure: **773 Pa**

Air volume: **26.640 m³/h**

Velocity pressure: **126 Pa**

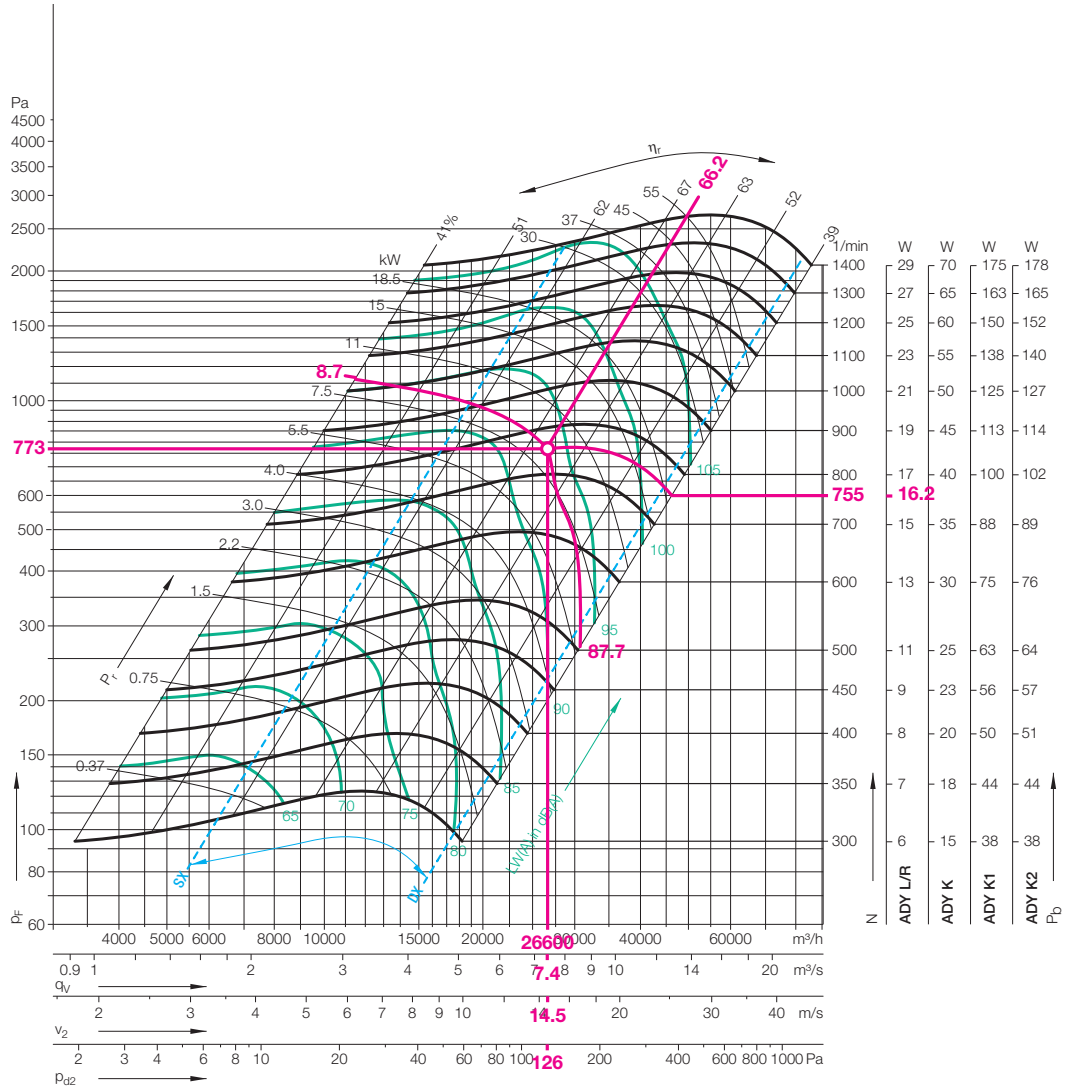
R.p.m. of the impeller: **755 R.p.m.**

Total Efficiency: **66.08 % (*)**

Absorbed power: **8.716 kW (**)**

Sound power level: **87.7 dB(A)**

Air outlet velocity: **14.5 m/s**



$$(*) \eta_{aB} = \eta_{rB} \cdot \frac{W_r}{(W_r + W_b)}$$

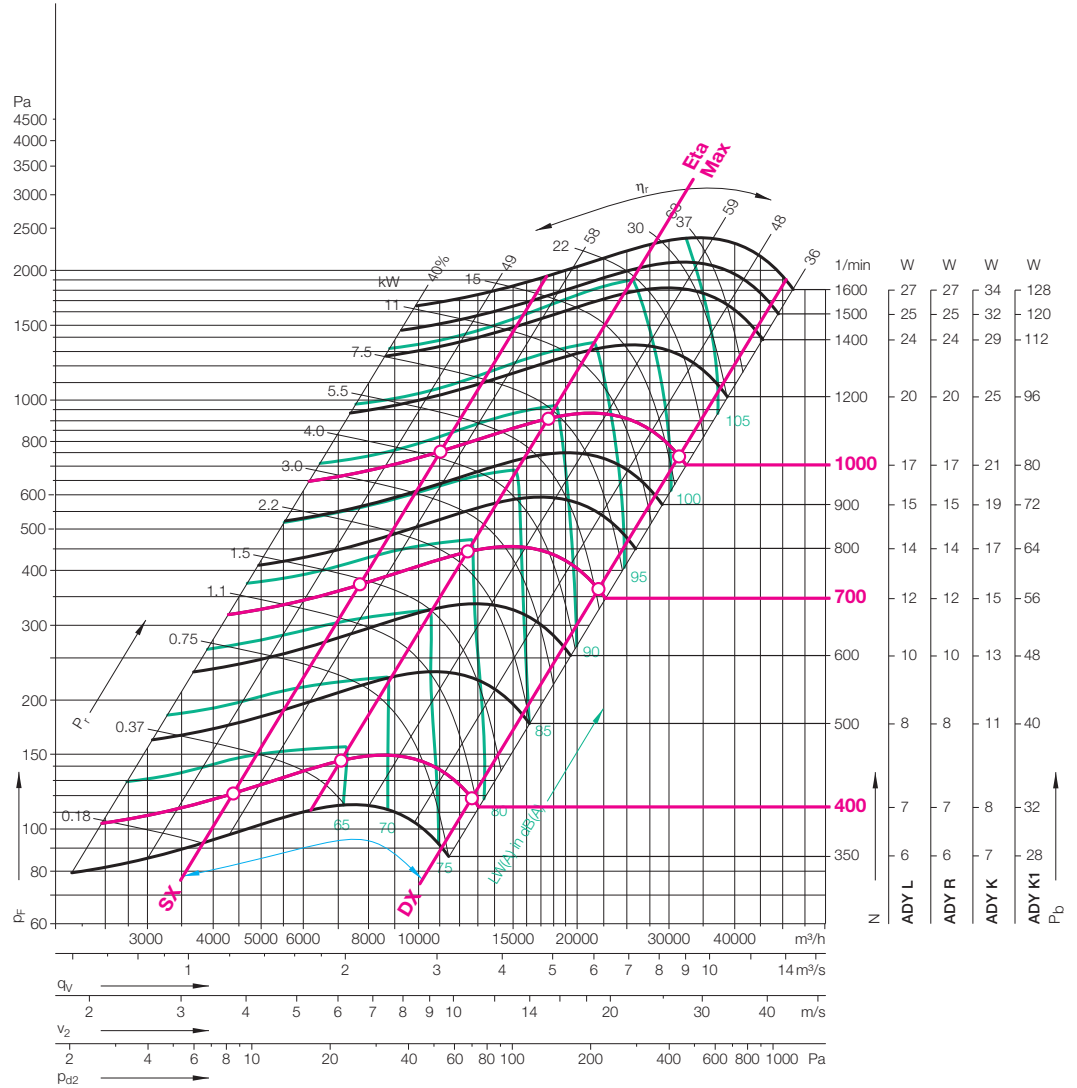
$$(*) 66.2 \frac{8.7}{8.716} = 66.08 \%$$

$$(**) W = W_r + W_b$$

$$(**) 8.700 + 0.016 = 8.716 \text{ kW}$$

Example of Selection

Coefficients for calculation of noise ratings



The following tables show, for each fan size, the coefficients required to estimate sufficiently approximate values of those Sound Power Levels which cannot be directly read on the operating diagrams. These coefficients are given on three different similarity curves and at three different operating speeds. Those coefficients marked with "SX" apply to operating points located on the left border of the normal operating area (blue diagonal line on the left). The coefficients marked with "DX" apply to operating points located on the right border of the normal operating area (blue diagonal line on the right). Those coefficients marked with "EtaMax" apply to operating points located on the maximum efficiency operating line.

It is preferable to interpolate between the listed coefficients when referring to the operating points between the listed speeds or operating lines. The Ventil selection program applies the complete calculation procedure, in accordance with BS 848 Part 2, Appendix G, and provides easily the best approximation of the results.

Performance certified is for installation type B - free inlet, ducted outlet.
 Performance ratings do not include the effects of appurtenances (accessories); power rating (kW) does not include transmission losses.
 The sound power level ratings shown are in decibels, referred to 10-12 watts, calculated per AMCA Standard 301; the A-weighted sound power ratings shown have been calculated per Standard 301.
 Values shown are for inlet LWI (A) sound power levels for installation type B: free inlet, ducted outlet.

Technical Data

Impeller Data

Impeller diameter	D_r	250 mm
Number of blades	z	38
Moment of Inertia	J	0.036 kgm ²

Impeller Data

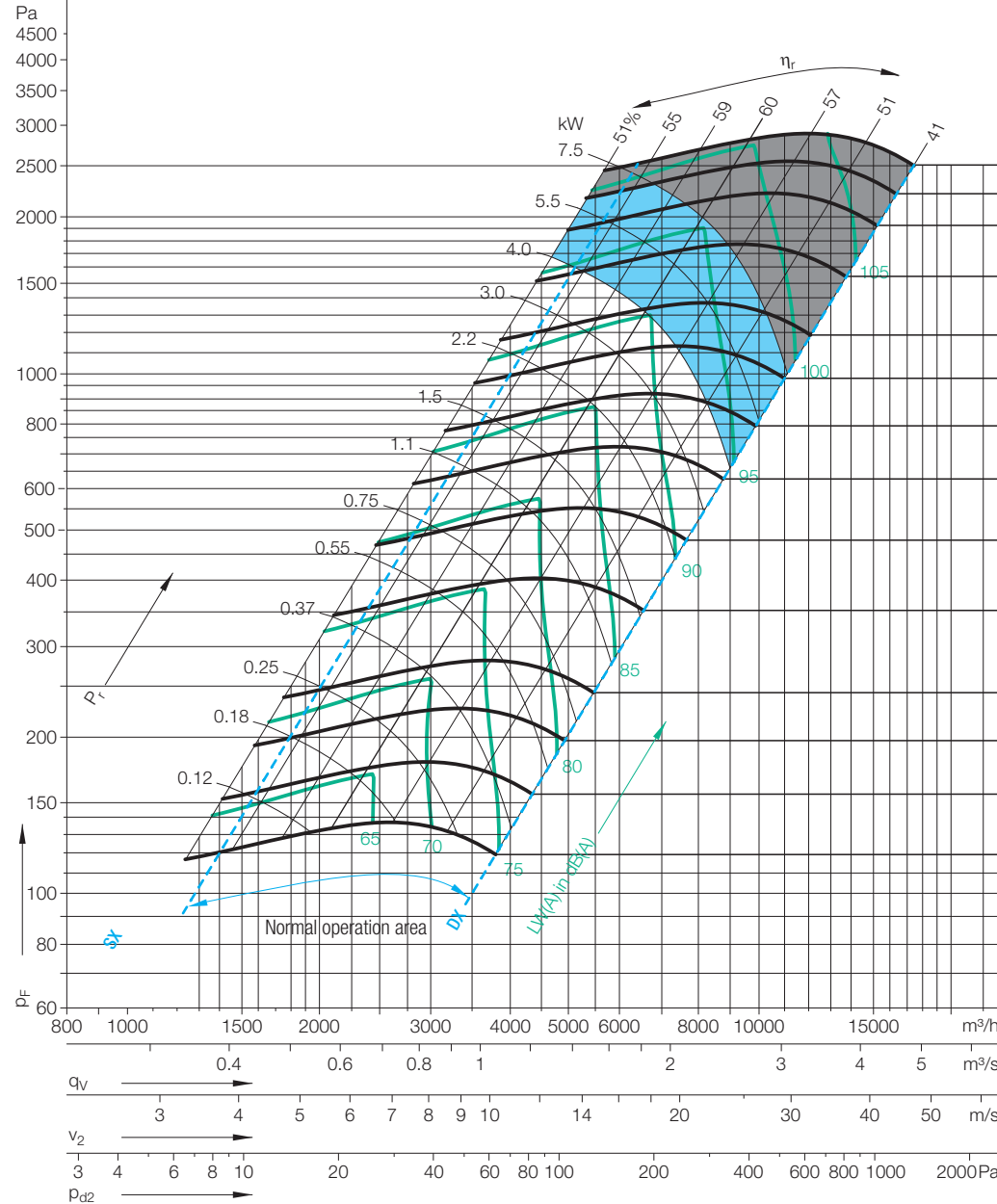
Impeller weight	m	2.7 kg
Density of media	ρ_1	1.2 kg/m ³
Tolerance class (DIN 24166)		2

FEG 75

Performance Curves

Please note coloured area!

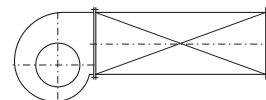
- all types suitable
- ADY K only
- do not use in this area



Nicotra Gebhardt S.p.A certifies that the fan shown herein is licensed to bear the AMCA Seal. The ratings shown are based on tests and procedures performed in accordance with AMCA publication 211 and AMCA publication 311 and comply with the requirements of the AMCA Certified Ratings Program.

1/min	W	W	W
3200	21	21	38
3000	20	20	36
2800	19	19	34
2500	17	17	30
2200	15	15	26
2000	13	13	24
1800	12	12	22
1600	11	11	19
1400	9	9	17
1200	8	8	14
1000	7	7	12
900	6	6	11
800	5	5	10
700	5	5	8
Z	ADY L	ADY R	ADY K
			P_b

Measured in installation B according to ISO 5801:



Performance certified is for installation type B - free inlet, ducted outlet.
 Performance ratings do not include the effects of aperturancs (accessories); power rating (kW) does not include transmission losses.
 The sound power level ratings shown are in decibels, referred to 10-12 watts, calculated per AMCA Standard 301; the A-weighted sound power ratings shown have been calculated per Standard 301.
 Values shown are for inlet LWI (A) sound power levels for installation type B: free inlet, ducted outlet.

Technical Data

Impeller Data

Impeller diameter	D_r	280 mm
Number of blades	z	42
Moment of Inertia	J	0.059 kgm ²

Impeller Data

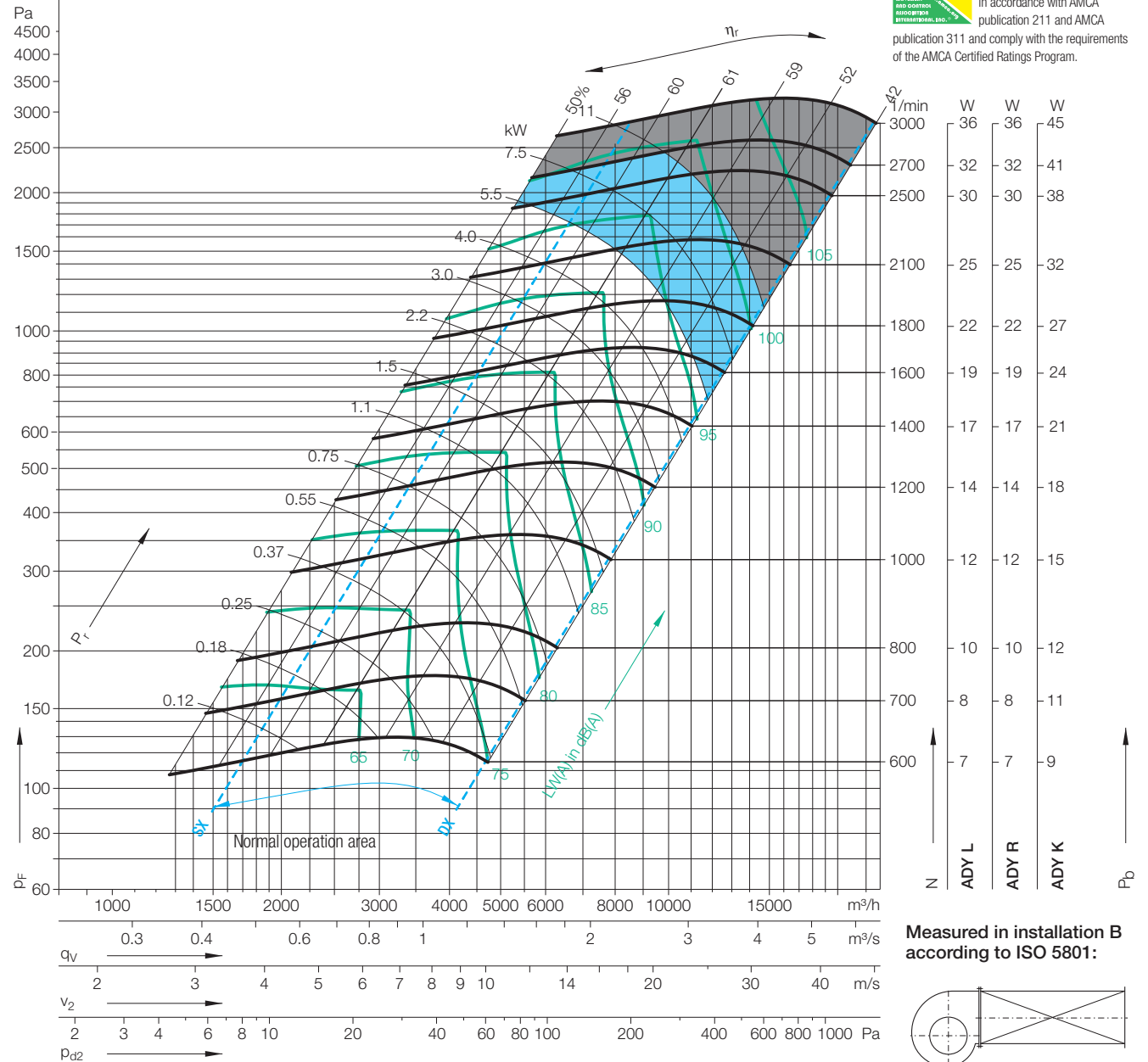
Impeller weight	m	3.5 kg
Density of media	ρ_1	1.2 kg/m ³
Tolerance class (DIN 24166)		2

FEG 75

Performance Curves

Please note coloured area!

- all types suitable
- ADY K only
- do not use in this area



ADY _-0315

Performance certified is for installation type B - free inlet, ducted outlet.
 Performance ratings do not include the effects of appurtenances (accessories); power rating (kW) does not include transmission losses.
 The sound power level ratings shown are in decibels, referred to 10-12 watts, calculated per AMCA Standard 301; the A-weighted sound power ratings shown have been calculated per Standard 301.
 Values shown are for inlet LWI (A) sound power levels for installation type B: free inlet, ducted outlet.

Technical Data

Impeller Data

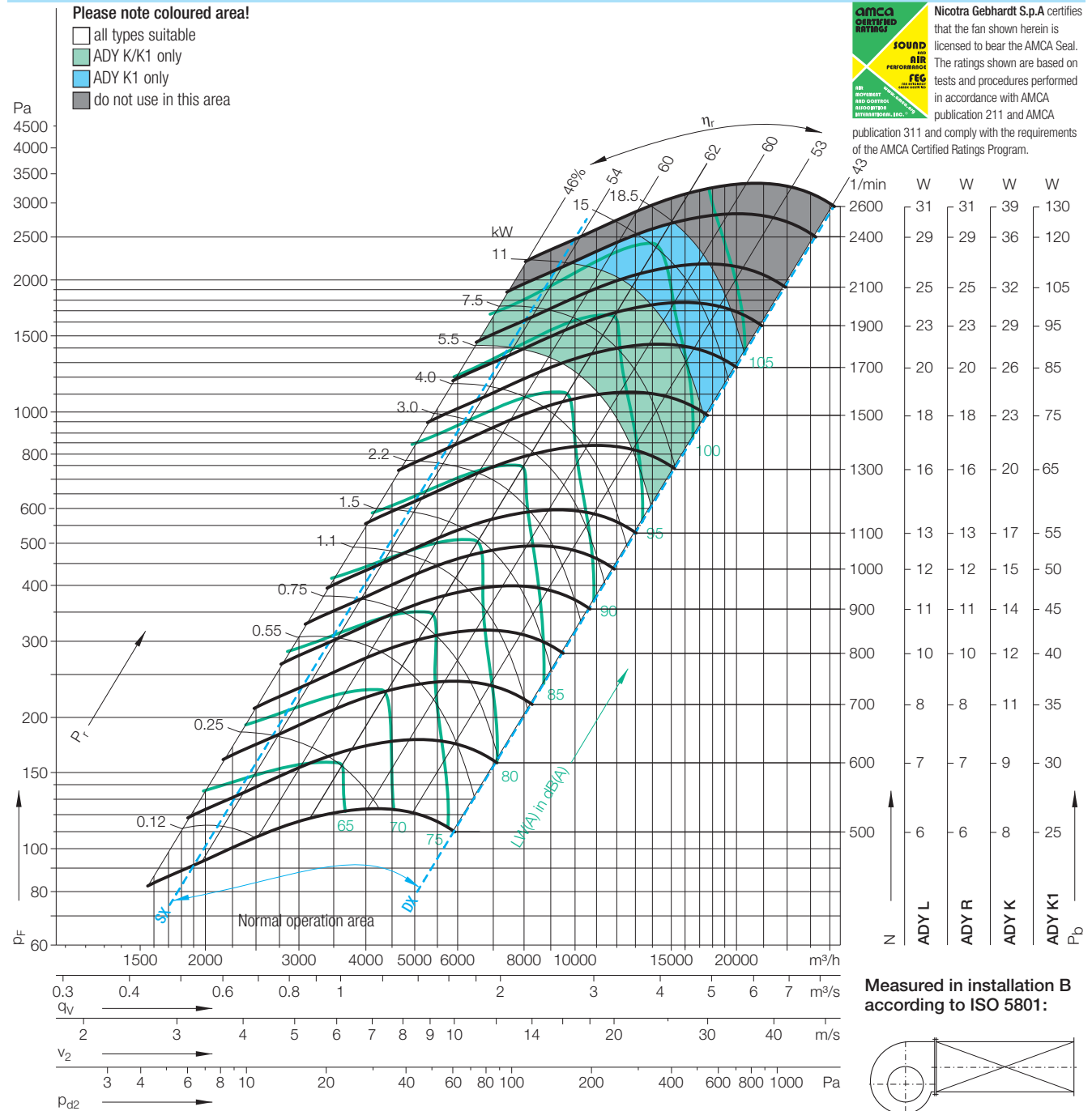
Impeller diameter	D_r	315 mm
Number of blades	z	38
Moment of Inertia	J	0.100 kgm ²

Impeller Data

Impeller weight	m	4.6 kg
Density of media	ρ_1	1.2 kg/m ³
Tolerance class (DIN 24166)		2

FEG 71

Performance Curves



Performance certified is for installation type B - free inlet, ducted outlet.
 Performance ratings do not include the effects of apertures (accessories); power rating (kW) does not include transmission losses.
 The sound power level ratings shown are in decibels, referred to 10-12 watts, calculated per AMCA Standard 301; the A-weighted sound power ratings shown have been calculated per Standard 301.
 Values shown are for inlet LWI (A) sound power levels for installation type B: free inlet, ducted outlet.

Technical Data

Impeller Data

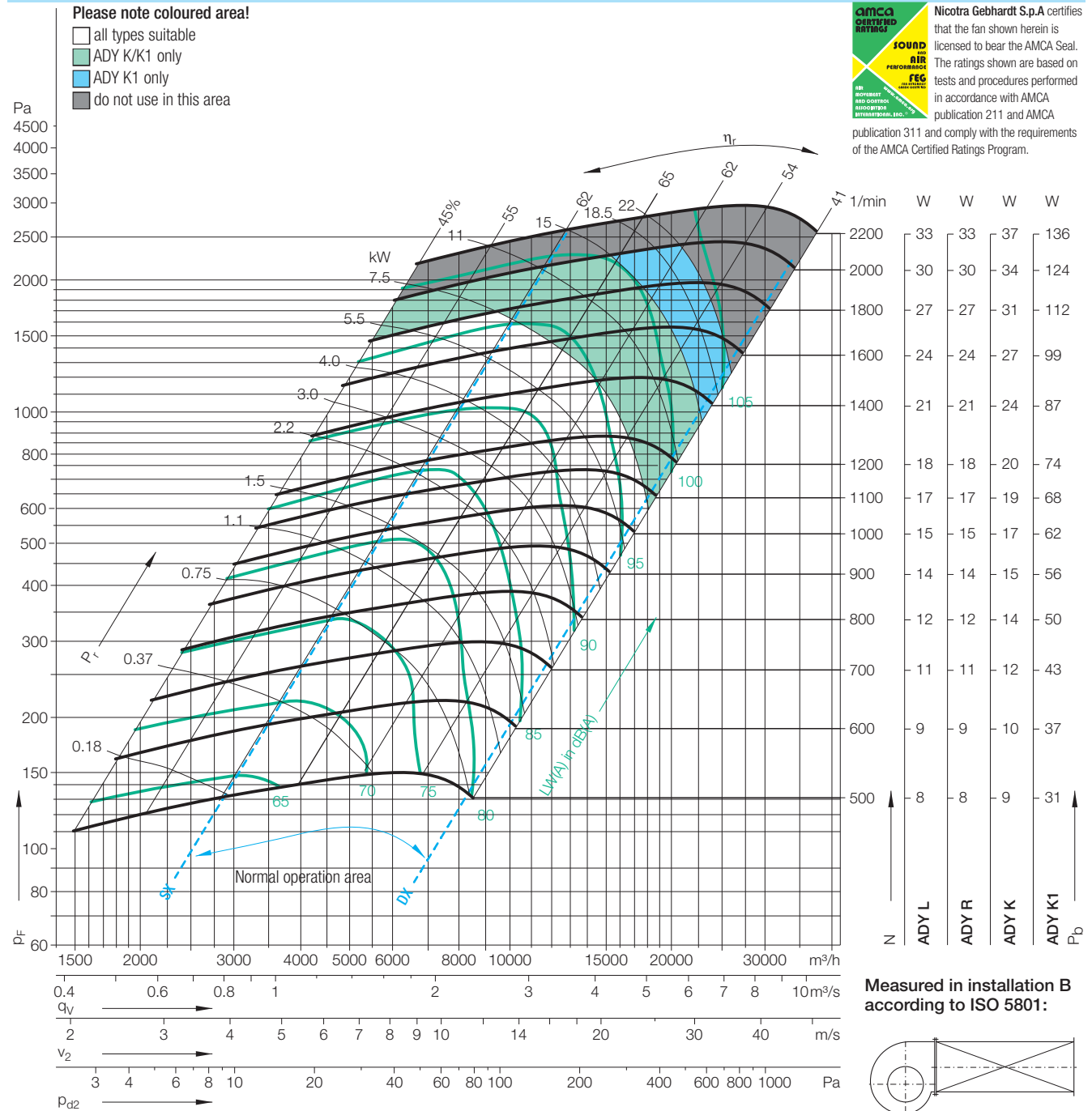
Impeller diameter	D_r	355 mm
Number of blades	z	42
Moment of Inertia	J	0.150 kgm ²

Impeller Data

Impeller weight	m	5.5 kg
Density of media	ρ_1	1.2 kg/m ³
Tolerance class (DIN 24166)		2

FEG 71

Performance Curves



Performance certified is for installation type B - free inlet, ducted outlet.
 Performance ratings do not include the effects of aperturancs (accessories); power rating (kW) does not include transmission losses.
 The sound power level ratings shown are in decibels, referred to 10-12 watts, calculated per AMCA Standard 301; the A-weighted sound power ratings shown have been calculated per Standard 301.
 Values shown are for inlet LWI (A) sound power levels for installation type B: free inlet, ducted outlet.

Technical Data

Impeller Data

Impeller diameter	D_r	400 mm
Number of blades	z	38
Moment of Inertia	J	0.310 kgm ²

Impeller Data

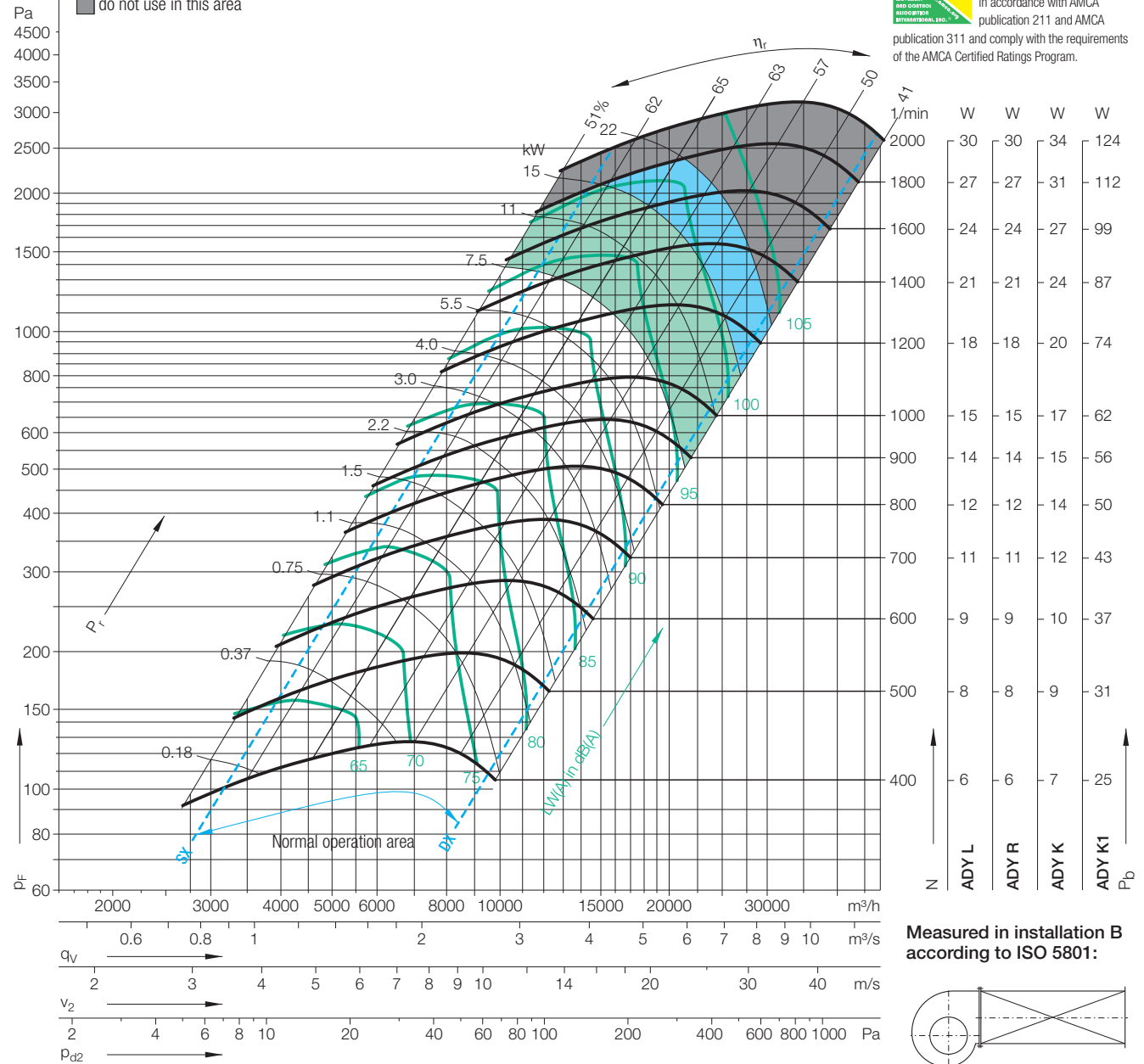
Impeller weight	m	9 kg
Density of media	ρ_1	1.2 kg/m ³
Tolerance class (DIN 24166)		2

FEG 71

Performance Curves

Please note coloured area!

- all types suitable
- ADY K/K1 only
- ADY K1 only
- do not use in this area



AMCA CERTIFIED RATINGS
SOUND IN AIR PERFORMANCE
FEG 71
 Nicotra Gebhardt S.p.A certifies that the fan shown herein is licensed to bear the AMCA Seal. The ratings shown are based on tests and procedures performed in accordance with AMCA publication 211 and AMCA publication 311 and comply with the requirements of the AMCA Certified Ratings Program.

Performance certified is for installation type B - free inlet, ducted outlet.
 Performance ratings do not include the effects of appurtenances (accessories); power rating (kW) does not include transmission losses.
 The sound power level ratings shown are in decibels, referred to 10-12 watts, calculated per AMCA Standard 301; the A-weighted sound power ratings shown have been calculated per Standard 301.
 Values shown are for inlet LWI (A) sound power levels for installation type B: free inlet, ducted outlet.

Technical Data

Impeller Data

Impeller diameter	D_r	450 mm
Number of blades	z	42
Moment of Inertia	J	0.480 kgm ²

Impeller Data

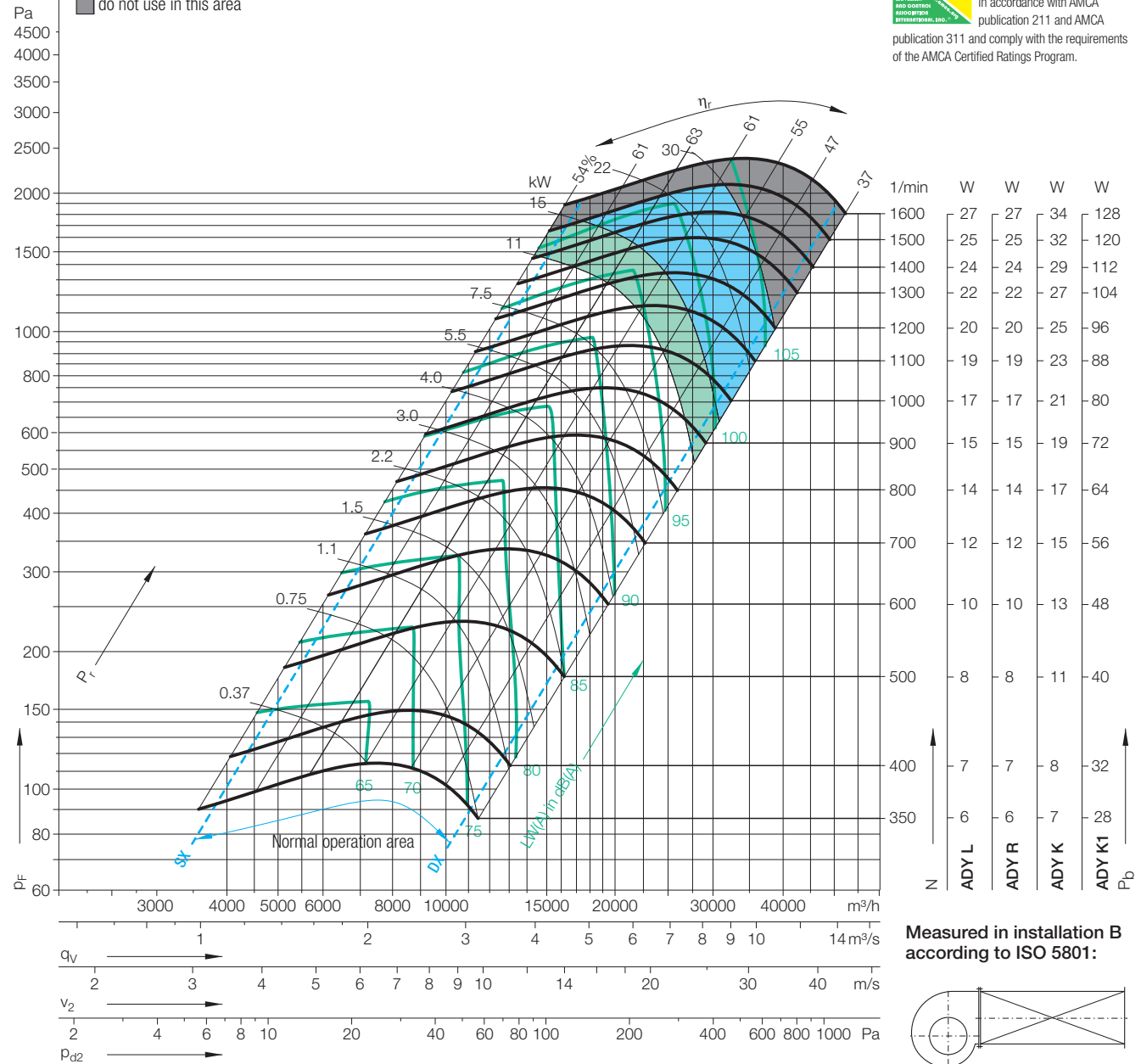
Impeller weight	m	11 kg
Density of media	ρ_1	1.2 kg/m ³
Tolerance class (DIN 24166)		2

FEG 67

Performance Curves

Please note coloured area!

- all types suitable
- ADY K/K1 only
- ADY K1 only
- do not use in this area



Performance certified is for installation type B - free inlet, ducted outlet.
 Performance ratings do not include the effects of appurtenances (accessories); power rating (kW) does not include transmission losses.
 The sound power level ratings shown are in decibels, referred to 10-12 watts, calculated per AMCA Standard 301; the A-weighted sound power ratings shown have been calculated per Standard 301.
 Values shown are for inlet LWI (A) sound power levels for installation type B: free inlet, ducted outlet.

Technical Data

Impeller Data

Impeller diameter	D_r	500 mm
Number of blades	z	38
Moment of Inertia	J	0.900 kgm ²

Impeller Data

Impeller weight	m	18 kg
Density of media	ρ_1	1.2 kg/m ³
Tolerance class (DIN 24166)		2

FEG 67

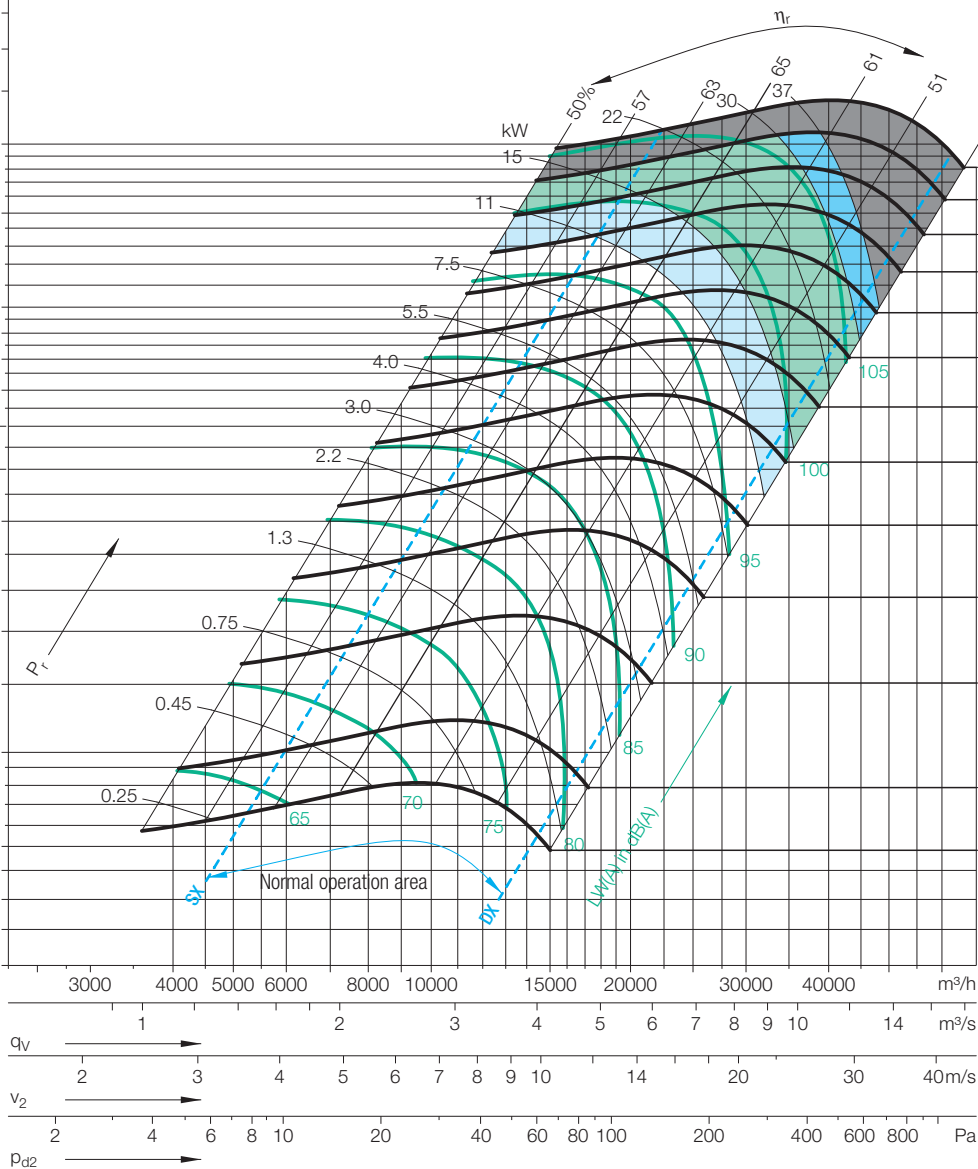
Performance Curves

Please note coloured area!

- all types suitable
- ADY K/K1/K2 only
- ADY K1/K2 only
- ADY K2 only
- do not use in this area

Pa
4500
4000
3500
3000
2500
2000
1500
1000
800
600
500
400
300
200
150
100
80
60

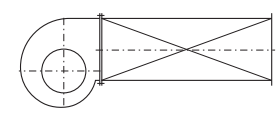
Q_v
3000
4000
5000
6000
8000
10000
15000
20000
30000
40000
 m^3/h



Nicotra Gebhardt S.p.A certifies that the fan shown herein is licensed to bear the AMCA Seal. The ratings shown are based on tests and procedures performed in accordance with AMCA publication 211 and AMCA publication 311 and comply with the requirements of the AMCA Certified Ratings Program.

1/min	W	W	W	W
1500	25	32	120	188
1400	24	29	112	175
1300	22	27	104	163
1200	20	25	96	150
1100	19	23	88	138
1000	17	21	80	125
900	15	19	72	113
800	14	17	64	100
700	12	15	56	88
600	10	13	48	75
500	8	11	40	63
400	7	8	32	50
350	6	7	28	44

Measured in installation B according to ISO 5801:



Performance certified is for installation type B - free inlet, ducted outlet.
 Performance ratings do not include the effects of aperturancs (accessories); power rating (kW) does not include transmission losses.
 The sound power level ratings shown are in decibels, referred to 10-12 watts, calculated per AMCA Standard 301; the A-weighted sound power ratings shown have been calculated per Standard 301.
 Values shown are for inlet LWI (A) sound power levels for installation type B: free inlet, ducted outlet.

Technical Data

Impeller Data

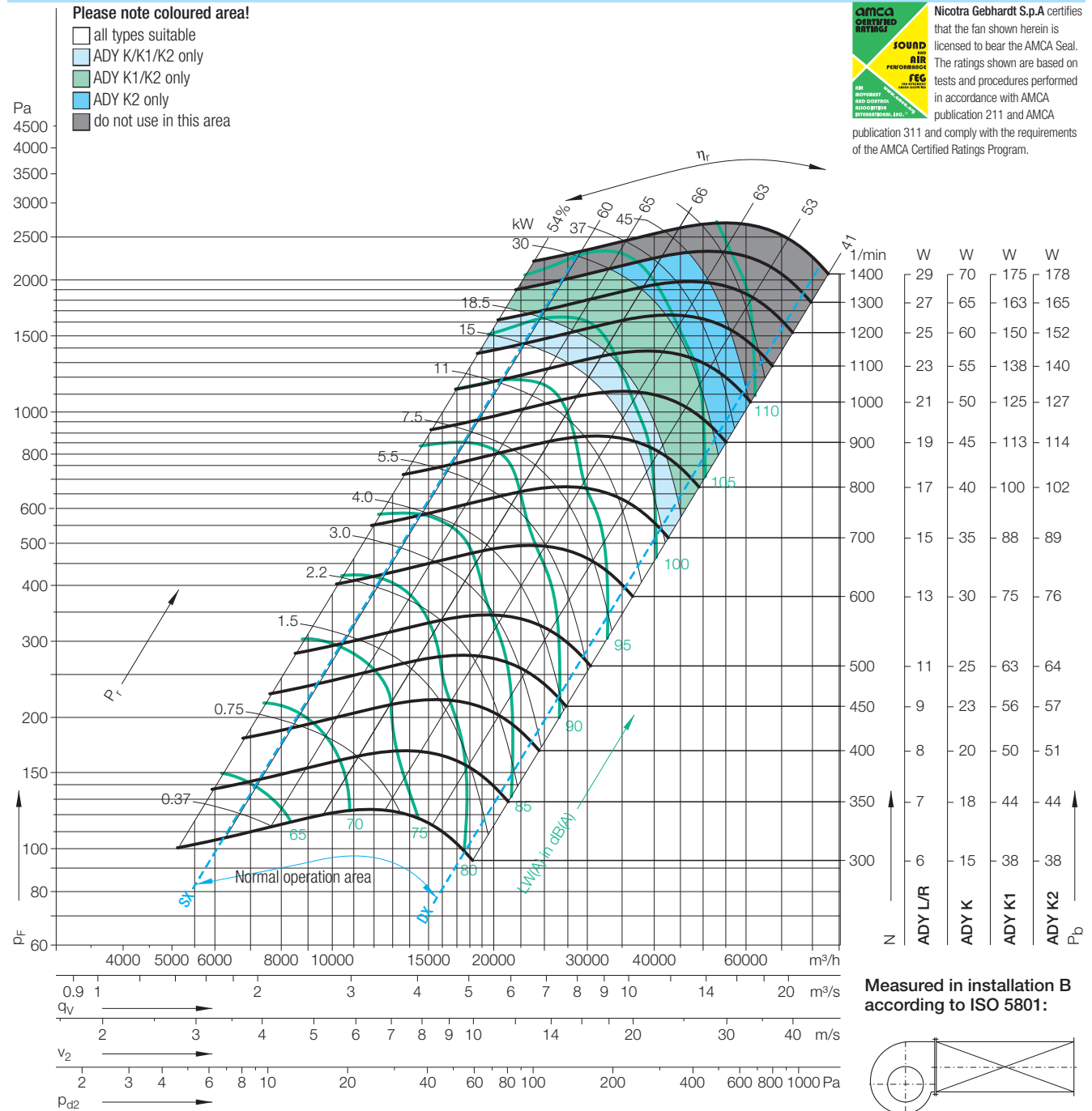
Impeller diameter	D_r	560	mm
Number of blades	z	42	
Moment of Inertia	J	1.560	kgm ²

Impeller Data

Impeller weight	m	24	kg
Density of media	ρ_1	1.2	kg/m ³
Tolerance class (DIN 24166)		2	

FEG 71

Performance Curves



Performance certified is for installation type B - free inlet, ducted outlet.
 Performance ratings do not include the effects of appurtenances (accessories); power rating (kW) does not include transmission losses.
 The sound power level ratings shown are in decibels, referred to 10-12 watts, calculated per AMCA Standard 301; the A-weighted sound power ratings shown have been calculated per Standard 301.
 Values shown are for inlet LWI (A) sound power levels for installation type B: free inlet, ducted outlet.

Technical Data

Impeller Data

Impeller diameter	D_r	632	mm
Number of blades	z	38	
Moment of Inertia	J	2,590	kgm ²

Impeller Data

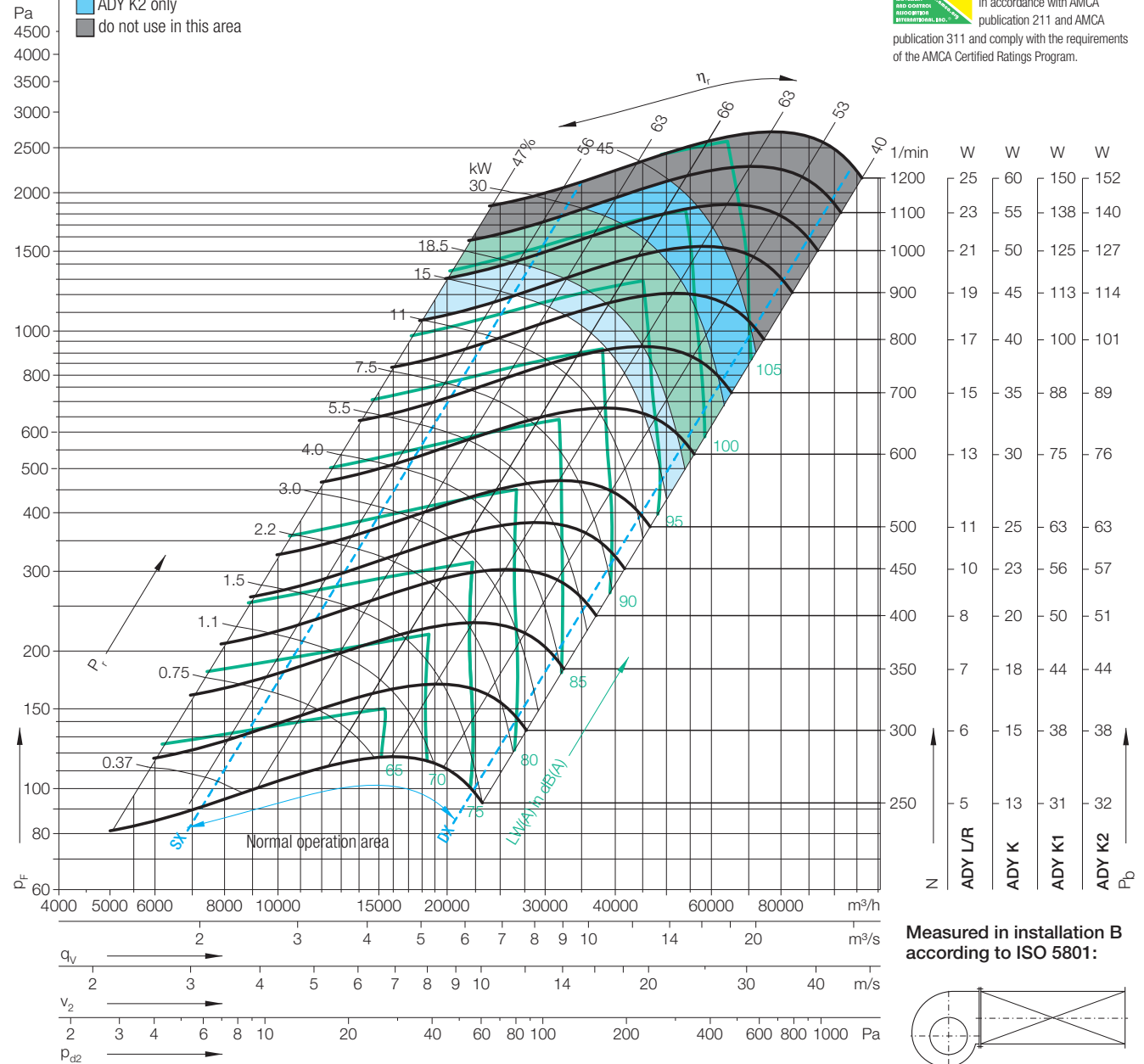
Impeller weight	m	32	kg
Density of media	ρ_1	1.2	kg/m ³
Tolerance class (DIN 24166)		2	

FEG 67

Performance Curves

Please note coloured area!

- all types suitable
- ADY K/K1/K2 only
- ADY K1/K2 only
- ADY K2 only
- do not use in this area



AMCA CERTIFIED RATINGS
SOUND IN AIR PERFORMANCE
FEG 67
 Nicotra Gebhardt S.p.A certifies that the fan shown herein is licensed to bear the AMCA Seal. The ratings shown are based on tests and procedures performed in accordance with AMCA publication 211 and AMCA publication 311 and comply with the requirements of the AMCA Certified Ratings Program.

Performance certified is for installation type B - free inlet, ducted outlet.
 Performance ratings do not include the effects of appurtenances (accessories); power rating (kW) does not include transmission losses.
 The sound power level ratings shown are in decibels, referred to 10-12 watts, calculated per AMCA Standard 301; the A-weighted sound power ratings shown have been calculated per Standard 301.
 Values shown are for inlet LWI (A) sound power levels for installation type B: free inlet, ducted outlet.

Technical Data

Impeller Data

Impeller diameter	D_r	712 mm
Number of blades	z	42
Moment of Inertia	J	3.970 kgm ²

Impeller Data

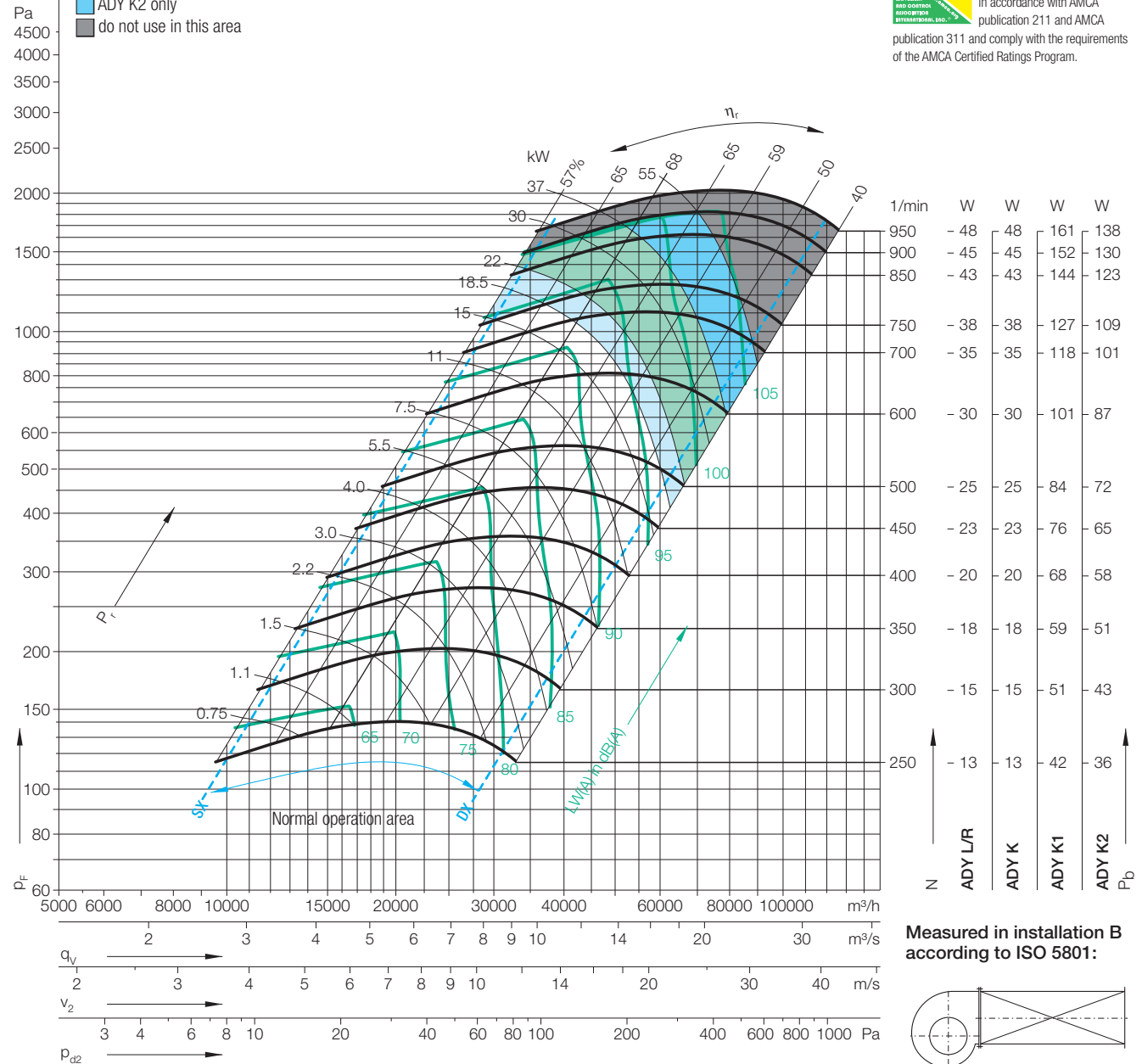
Impeller weight	m	40 kg
Density of media	ρ_1	1.2 kg/m ³
Tolerance class (DIN 24166)		2

FEG 71

Performance Curves

Please note coloured area!

- all types suitable
- ADY K/K1/K2 only
- ADY K1/K2 only
- ADY K2 only
- do not use in this area



Performance certified is for installation type B - free inlet, ducted outlet.
 Performance ratings do not include the effects of appurtenances (accessories); power rating (kW) does not include transmission losses.
 The sound power level ratings shown are in decibels, referred to 10-12 watts, calculated per AMCA Standard 301; the A-weighted sound power ratings shown have been calculated per Standard 301.
 Values shown are for inlet LWI (A) sound power levels for installation type B: free inlet, ducted outlet.

Technical Data

Impeller Data

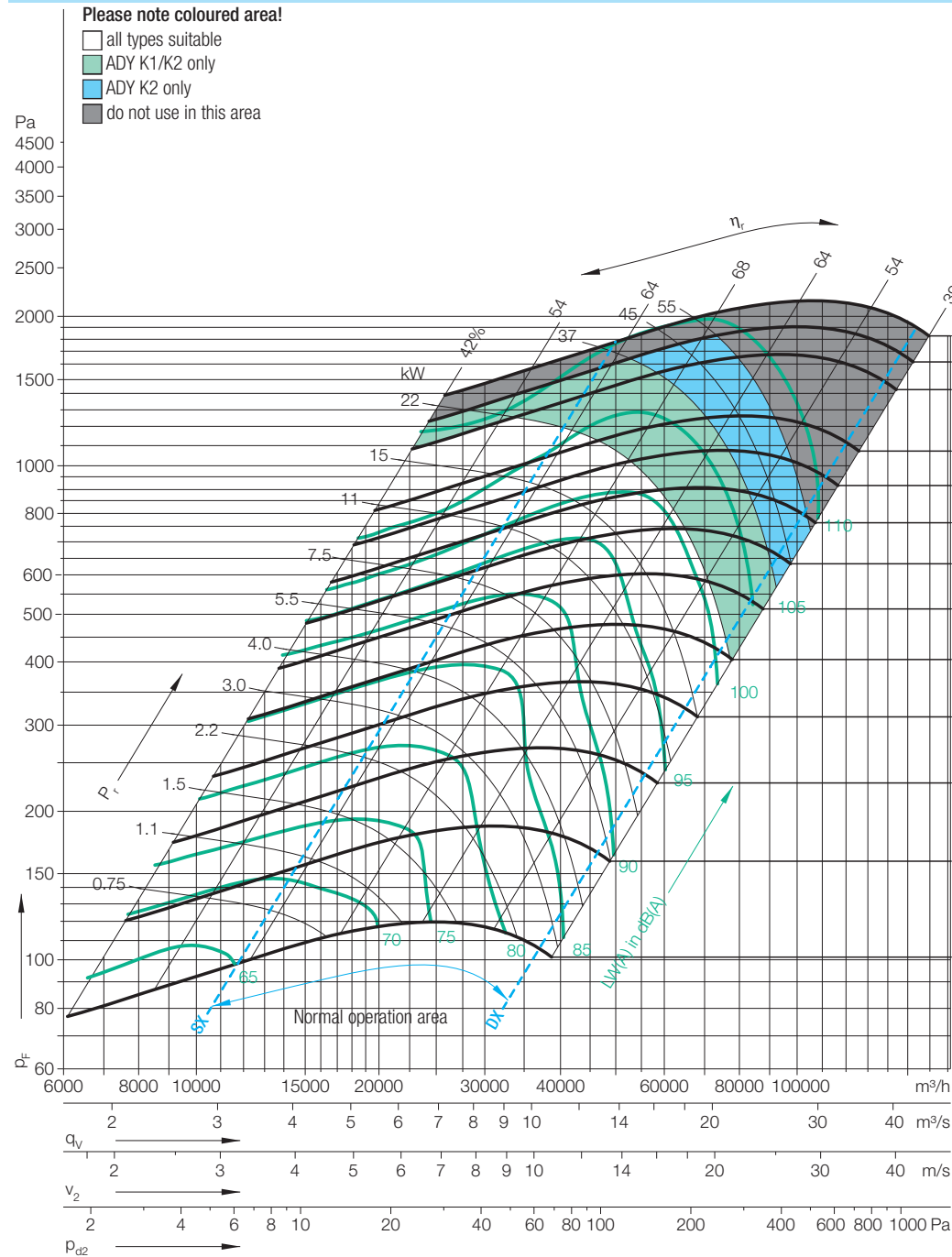
Impeller diameter	D_r	809	mm
Number of blades	z	38	
Moment of Inertia	J	8.340	kgm ²

Impeller Data

Impeller weight	m	63	kg
Density of media	ρ_1	1.2	kg/m ³
Tolerance class (DIN 24166)		2	

FEG 75

Performance Curves

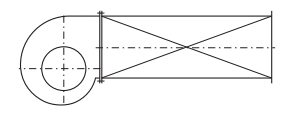


AMCA CERTIFIED RATINGS
SOUND IN AIR PERFORMANCE
FEG 75
 Nicotra Gebhardt S.p.A certifies that the fan shown herein is licensed to bear the AMCA Seal. The ratings shown are based on tests and procedures performed in accordance with AMCA publication 211 and AMCA publication 311 and comply with the requirements of the AMCA Certified Ratings Program.

1/min	W	W	W
850	43	144	123
800	40	135	116
750	38	127	109
650	33	110	94
600	30	101	87
550	28	93	80
500	25	85	72
450	23	76	65
400	20	68	58
350	18	59	51
300	15	51	43
250	13	42	36
200	10	34	29

↑ P_b

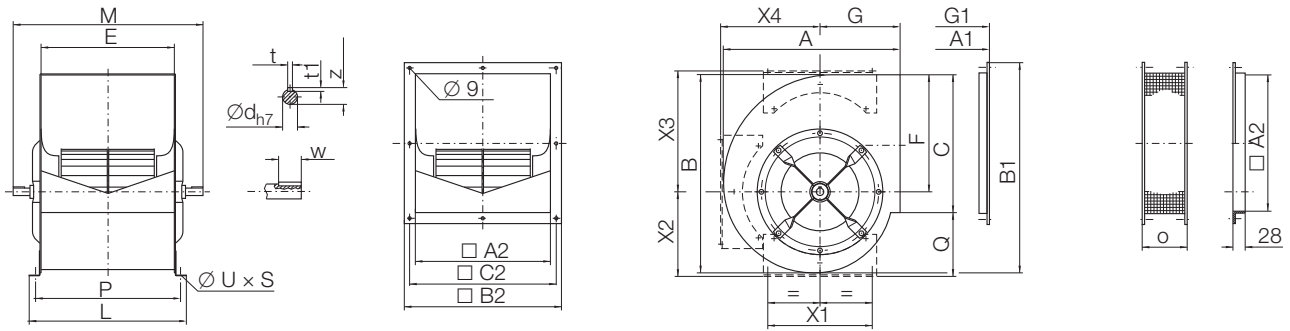
Measured in installation B according to ISO 5801:



ADY L-0160/-0710

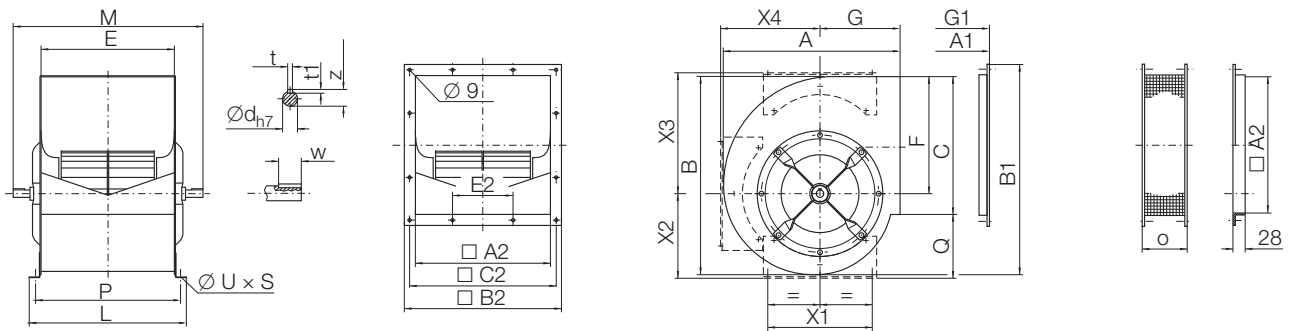
Dimensions in mm, subject to change without prior notice.

ADY L-0160/-0355



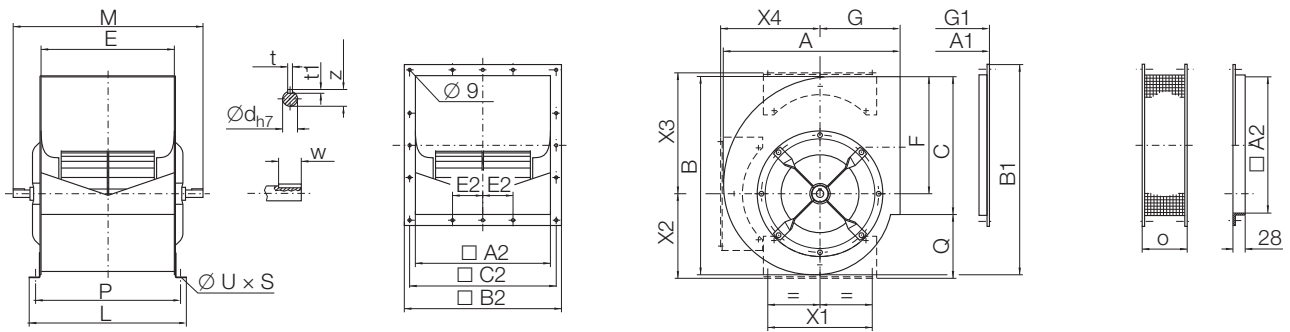
ADY	A	A1	A2	B	B1	B2	C	C2	E	F	G	G1	L	M	O	P	Q	X1	X2	X3	X4	t	t1	w	z	$\varnothing d$	UxS
0160	282	285	205	293	333	285	205	235	205	172	140	143	265	345	165	235	117	180	150	204	150	6	6	30	22,5	20	11x16
0180	310	313	229	326	354	285	229	259	229	193	152	155	289	370	165	259	128	180	164	224	164	6	6	30	22,5	20	11x16
0200	343	346	256	364	392	312	256	286	256	215	164	167	316	420	165	286	140	224	181	245	184	6	6	30	22,5	20	11x16
0225	381	384	288	409	437	344	288	318	288	243	180	183	348	450	165	318	152	224	197	274	204	6	6	30	22,5	20	11x16
0250	417	420	322	453	481	378	322	352	322	270	195	198	382	485	165	352	158	224	210	299	227	6	6	30	22,5	20	11x16
0280	464	467	361	508	536	417	361	391	361	302	215	218	421	555	165	391	177	280	236	331	255	8	7	40	28	25	11x16
0315	516	519	404	572	600	460	404	434	404	340	236	239	464	600	165	434	197	280	261	370	283	8	7	40	28	25	11x16
0355	576	579	453	645	673	509	453	483	453	383	261	264	533	675	165	493	204	355	274	411	320	8	7	40	33	30	11x16

ADY L-0400/-0630



ADY	A	A1	A2	B	B1	B2	C	C2	E	E2	F	G	G1	L	M	O	P	Q	X1	X2	X3	X4	t	t1	w	z	$\varnothing d$	UxS
0400	645	648	507	725	753	563	507	537	507	200	432	290	293	587	725	165	547	227	355	302	462	359	8	7	40	33	30	11x16
0450	722	725	569	817	845	625	569	599	569	200	486	322	325	665	815	165	619	253	530	336	518	407	10	8	50	38	35	13x18
0500	795	798	638	906	934	694	638	668	638	250	538	352	355	734	885	165	688	275	530	375	568	448	10	8	50	38	35	13x18
0560	886	889	715	1016	1044	771	715	745	715	250	603	390	393	811	1000	165	765	304	530	416	634	502	12	8	70	43	40	13x18
0630	992	995	801	1142	1170	857	801	831	801	300	679	434	437	897	1085	165	851	346	530	468	707	571	12	8	70	43	40	13x18

ADY L-0710

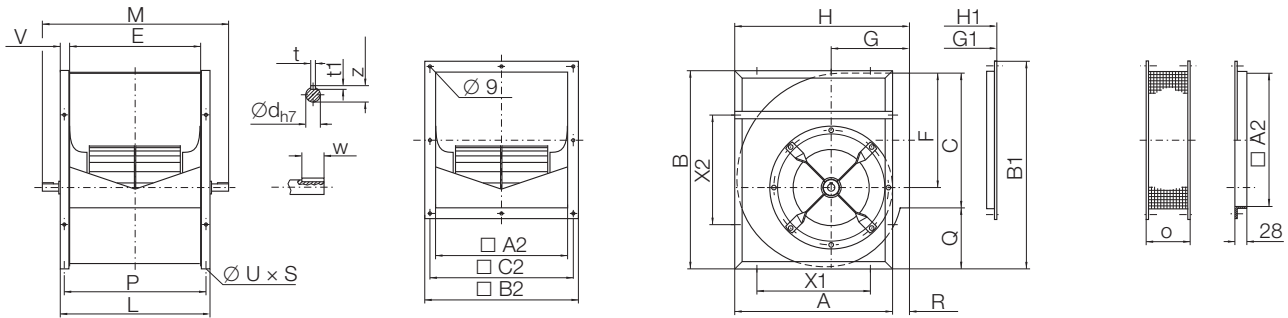


ADY	A	A1	A2	B	B1	B2	C	C2	E	E2	F	G	G1	L	M	O	P	Q	X1	X2	X3	X4	t	t1	w	z	$\varnothing d$	UxS
0710	1114	1117	898	1287	1315	954	898	928	898	200	765	485	488	998	1255	165	948	398	630	531	797	636	14	9	90	53,5	50	13x18

ADY R-0160/-0710

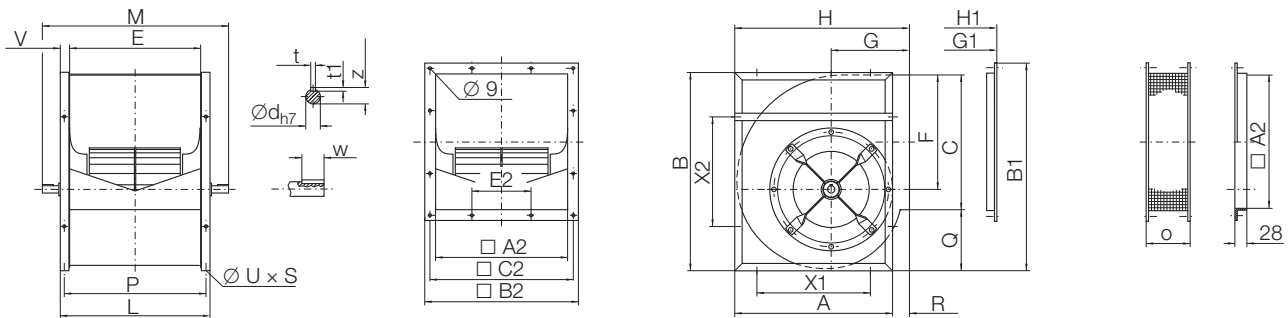
Dimensions in mm, subject to change without prior notice.

ADY R-0160/-0355



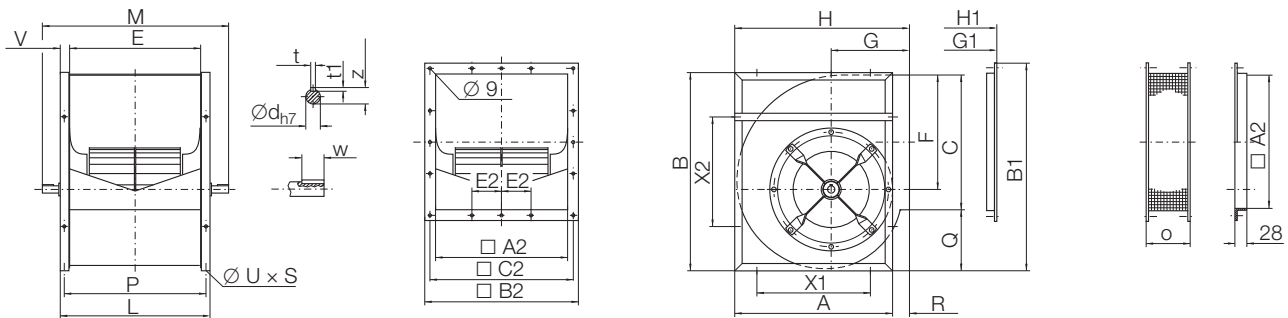
ADY	A	A2	B	B1	B2	C	C2	E	F	G	G1	H	H1	L	M	O	P	Q	R	V	X1	X2	t	t1	w	z	Ød	UxS
0160	259	205	300	335	285	205	235	205	172	140	143	286	289	245	345	165	229	90	27	20	180	180	6	6	30	22,5	20	9x12
0180	294	229	336	362	285	229	259	229	195	152	155	322	325	269	370	165	253	105	28	20	180	180	6	6	30	22,5	20	9x12
0200	306	256	370	394	312	256	286	256	215	164	167	343	346	306	420	165	286	110	37	25	224	224	6	6	30	22,5	20	11x16
0225	345	288	415	439	344	288	318	288	243	180	183	382	385	338	450	165	318	123	37	25	224	224	6	6	30	22,5	20	11x16
0250	381	322	461	485	378	322	352	322	270	195	198	419	422	372	485	165	352	135	38	25	224	224	6	6	30	22,5	20	11x16
0280	429	361	518	541	417	361	391	361	302	215	218	466	469	421	555	165	391	152	37	30	280	280	8	7	40	28	25	13x18
0315	480	404	578	602	460	404	434	404	340	236	239	518	521	464	600	165	434	170	38	30	280	280	8	7	40	28	25	13x18
0355	544	453	655	677	509	453	483	453	383	261	264	578	581	533	675	165	493	196	34	40	355	355	8	7	40	33	30	13x18

ADY R-0400/-0630



ADY	A	A2	B	B1	B2	C	C2	E	E2	F	G	G1	H	H1	L	M	O	P	Q	R	V	X1	X2	t	t1	w	z	Ød	UxS
0400	609	507	736	759	563	507	537	507	200	432	290	293	649	652	587	725	165	547	224	40	40	355	355	8	7	40	33	30	13x18
0450	679	569	827	849	625	569	599	569	200	486	322	325	726	729	649	815	165	619	252	46	40	530	530	10	8	50	38	35	13x18
0500	748	638	918	940	694	638	668	638	250	538	352	355	800	803	718	885	165	688	274	51	40	530	530	10	8	50	38	35	13x18
0560	839	715	1030	1050	771	715	745	715	250	603	390	393	891	894	815	1000	165	765	307	50	50	530	530	12	8	70	43	40	13x18
0630	940	801	1157	1178	857	801	831	801	300	679	434	437	996	999	901	1085	165	851	349	56	50	530	530	12	8	70	43	40	13x18

ADY R-0710

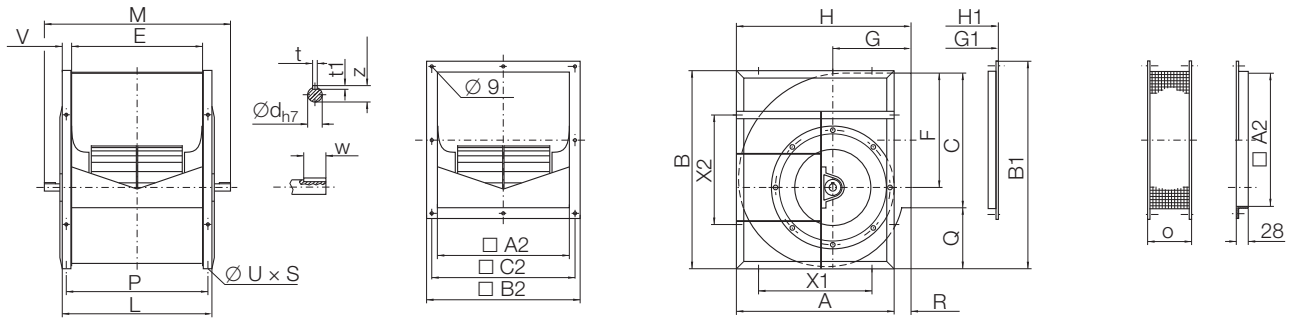


ADY	A	A2	B	B1	B2	C	C2	E	E2	F	G	G1	H	H1	L	M	O	P	Q	R	V	X1	X2	t	t1	w	z	Ød	UxS
0710	1050	898	1303	1324	954	898	928	898	200	765	485	488	1117	1120	998	1255	165	948	398	67	50	630	630	14	9	90	53,5	50	17x22

ADY K-0200/-1000

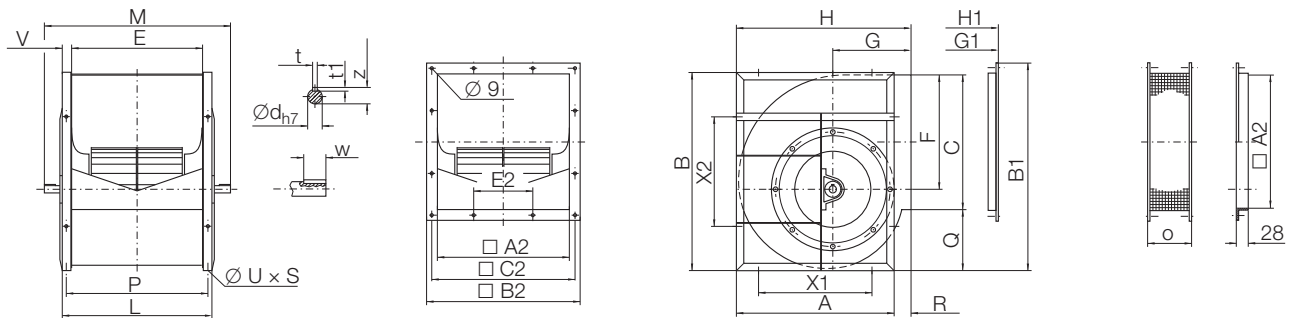
Dimensions in mm, subject to change without prior notice.

ADY K-0200/-0355



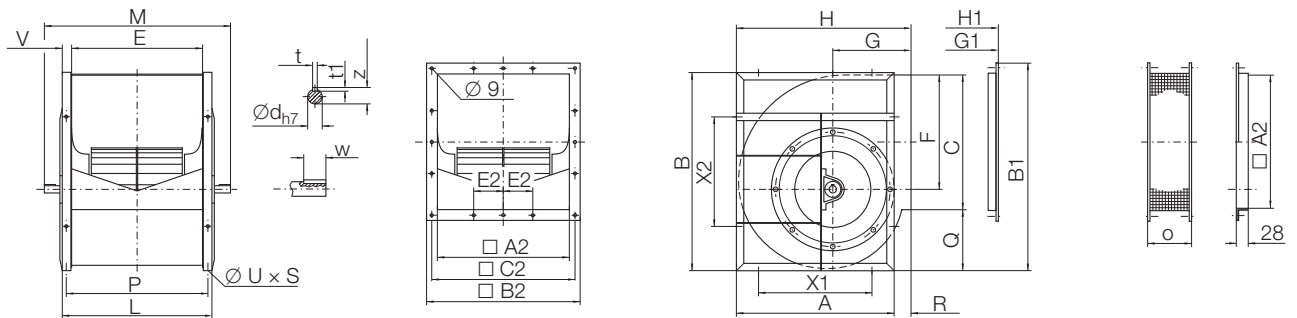
ADY	A	A2	B	B1	B2	C	C2	E	F	G	G1	H	H1	L	M	O	P	Q	R	V	X1	X2	t	t1	w	z	$\varnothing d$	UxS
0200	306	256	370	394	312	256	286	256	215	164	167	343	346	306	420	165	286	110	37	25	224	224	6	6	30	22,5	20	11x16
0225	345	288	415	439	344	288	318	288	243	180	183	382	385	338	450	165	318	123	37	25	224	224	6	6	30	22,5	20	11x16
0250	381	322	461	485	378	322	352	322	270	195	198	419	422	372	515	165	352	135	38	25	224	224	8	7	40	28	25	11x16
0280	429	361	518	541	417	361	391	361	302	215	218	466	469	421	580	165	391	152	37	30	280	280	8	7	40	33	30	13x18
0315	480	404	578	602	460	404	434	404	340	236	239	518	521	464	625	165	434	170	38	30	280	280	8	7	40	33	30	13x18
0355	544	453	655	677	509	453	483	451	383	261	264	578	581	531	685	165	493	196	34	40	355	355	10	8	50	38	35	13x18

ADY K-0400/-0630



ADY	A	A2	B	B1	B2	C	C2	E	E2	F	G	G1	H	H1	L	M	O	P	Q	R	V	X1	X2	t	t1	w	z	$\varnothing d$	UxS
0400	613	507	736	759	563	507	537	507	200	432	290	293	651	654	587	750	165	547	224	38	40	355	355	10	8	50	38	35	13x18
0450	679	569	827	849	625	569	599	569	200	486	322	325	726	729	649	850	165	619	252	45	40	530	530	12	8	70	43	40	13x18
0500	748	638	918	940	694	638	668	638	250	538	352	355	800	803	718	920	165	688	274	50	40	530	530	12	8	70	43	40	13x18
0560	839	715	1030	1050	771	715	745	715	250	603	390	393	893	896	815	1070	165	765	307	54	50	530	530	14	9	90	53,5	50	13x18
0630	940	801	1157	1178	857	801	831	801	300	679	434	437	999	1002	901	1155	165	851	349	59	50	530	530	14	9	90	53,5	50	13x18

ADY K-0710/-1000

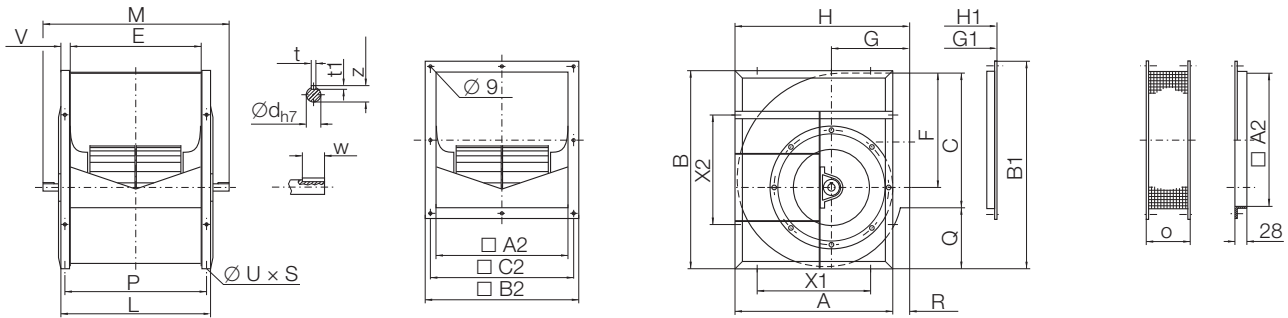


ADY	A	A2	B	B1	B2	C	C2	E	E2	F	G	G1	H	H1	L	M	O	P	Q	R	V	X1	X2	t	t1	w	z	$\varnothing d$	UxS
0710	1050	898	1303	1324	954	898	928	898	200	765	485	488	1121	1124	998	1255	165	948	398	71	50	630	630	14	9	90	53,5	50	17x22
0800	1181	1007	1468	1488	1063	1007	1037	1007	250	862	540	543	1255	1258	1107	1360	165	1057	453	74	50	710	710	14	9	90	53,5	50	17x22
0900	1319	1130	1648	1668	1186	1130	1160	1130	300	971	604	607	1408	1411	1230	1520	165	1180	510	89	50	800	800	18	11	90	64	60	17x22
1000	1451	1267	1810	1828	1323	1267	1297	1267	350	1066	657	660	1541	1544	1367	1660	165	1217	533	90	50	900	900	18	11	90	64	60	17x22

ADY K1-0315/-0900

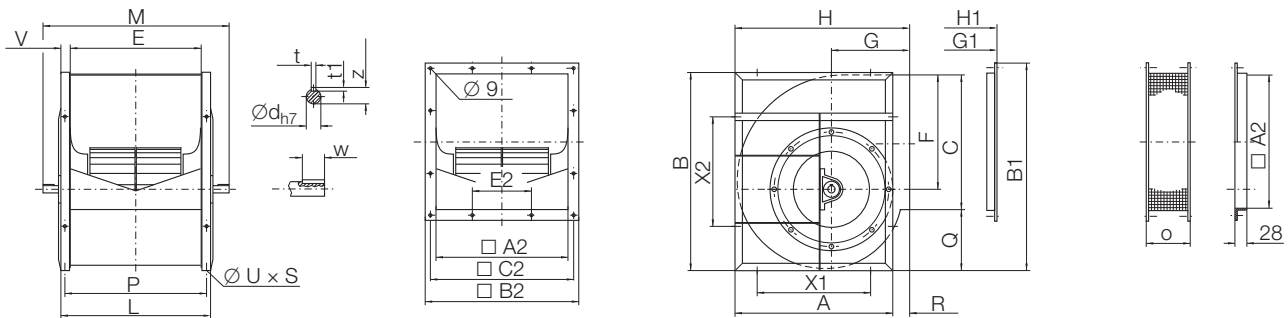
Dimensions in mm, subject to change without prior notice.

ADY K1-0315/-0355



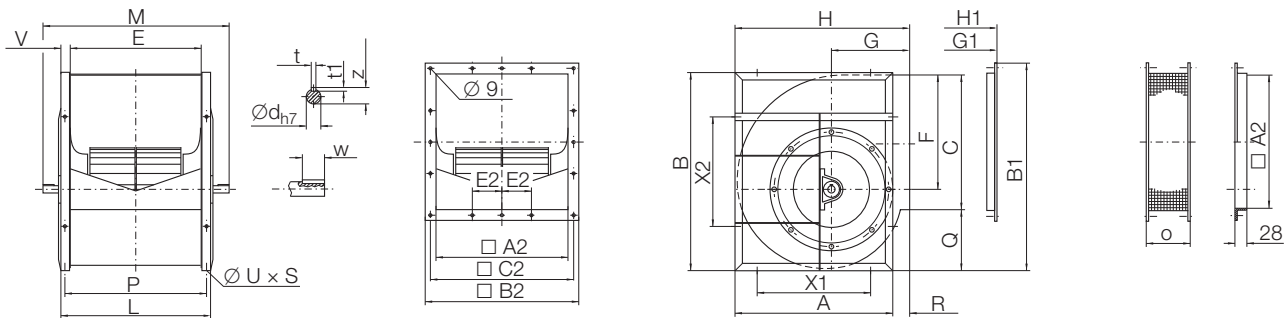
ADY	A	A2	B	B1	B2	C	C2	E	F	G	G1	H	H1	L	M	O	P	Q	R	V	X1	X2	t	t1	w	z	Ød	U x S
0315	480	404	578	603	460	404	434	404	340	236	239	518	521	464	625	165	434	171	38	30	280	280	8	7	40	33	30	13x18
0355	544	453	655	677	509	453	483	451	383	261	264	578	581	531	685	165	493	196	34	40	355	355	10	8	50	38	35	13x18

ADY K1-0400/-0630



ADY	A	A2	B	B1	B2	C	C2	E	E2	F	G	G1	H	H1	L	M	O	P	Q	R	V	X1	X2	t	t1	w	z	Ød	U x S
0400	613	507	736	759	563	507	537	507	200	432	290	293	651	654	587	750	165	547	224	38	40	355	355	10	8	50	38	35	13x18
0450	679	569	827	849	625	569	599	569	200	486	322	325	726	729	649	850	165	619	252	48	40	530	530	12	8	70	43	40	13x18
0500	748	638	918	940	694	638	668	638	250	538	352	355	800	803	718	920	165	688	274	53	40	530	530	12	8	70	43	40	13x18
0560	839	715	1030	1050	771	715	745	715	250	603	390	393	893	896	815	1070	165	765	307	54	50	530	530	14	9	90	53,5	50	13x18
0630	940	801	1157	1178	857	801	831	801	300	679	434	437	999	1002	901	1155	165	851	349	59	50	530	530	14	9	90	53,5	50	13x18

ADY K1-0710/-0900

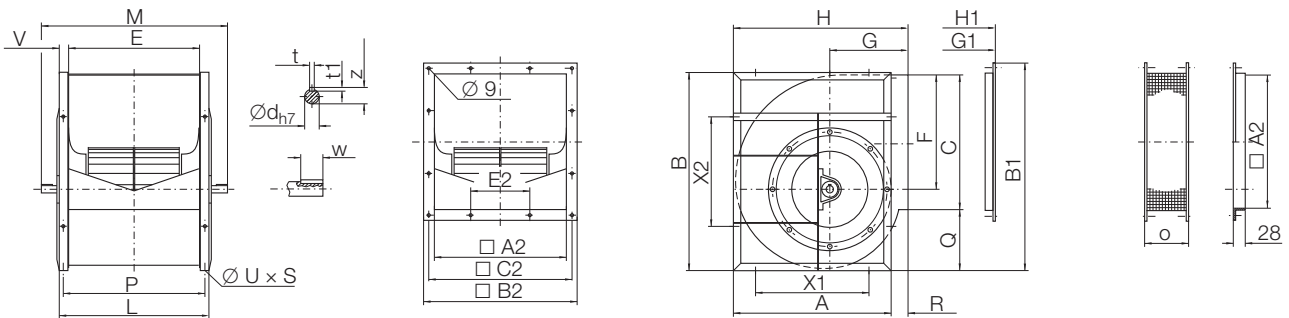


ADY	A	A2	B	B1	B2	C	C2	E	E2	F	G	G1	H	H1	L	M	O	P	Q	R	V	X1	X2	t	t1	w	z	Ød	U x S
0710	1050	898	1303	1324	954	898	928	898	200	765	485	488	1121	1124	998	1340	165	948	398	71	50	630	630	18	11	90	64	60	17x22
0800	1181	1007	1468	1488	1063	1007	1037	1007	250	862	540	543	1255	1258	1107	1450	165	1057	453	74	50	710	710	18	11	90	64	60	17x22
0900	1319	1130	1648	1668	1186	1130	1160	1130	300	971	604	607	1408	1411	1230	1520	165	1180	510	89	50	800	800	18	11	90	64	60	17x22

ADY K2-0500/-1000

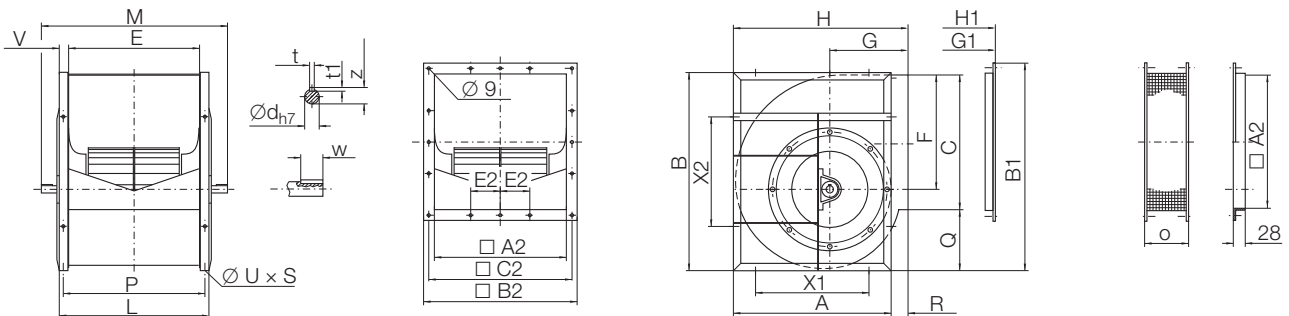
Dimensions in mm, subject to change without prior notice.

ADY K2-0500/-0630



ADY	A	A2	B	B1	B2	C	C2	E	E2	F	G	G1	H	H1	L	M	O	P	Q	R	V	X1	X2	t	t1	w	z	$\varnothing d$	UxS
0500	748	638	918	941	694	638	668	638	250	538	352	355	800	803	718	960	165	688	275	50	40	530	530	14	9	90	53,5	50	13x18
0560	839	715	1030	1050	771	715	745	715	250	603	390	393	893	896	815	1130	165	765	307	54	50	530	530	14	9	90	53,5	50	13x18
0630	940	801	1157	1178	857	801	831	801	300	679	434	437	999	1002	901	1215	165	851	349	59	50	530	530	14	9	90	53,5	50	13x18

ADY K2-0710/-1000

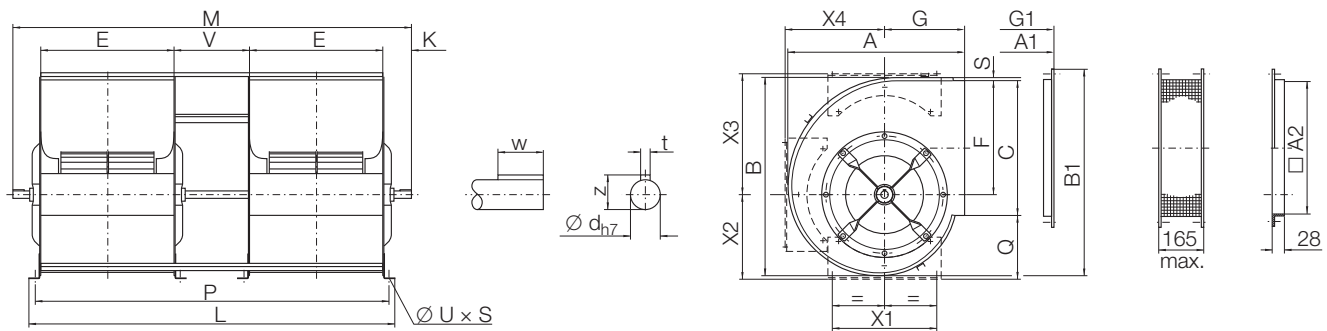


ADY	A	A2	B	B1	B2	C	C2	E	E2	F	G	G1	H	H1	L	M	O	P	Q	R	V	X1	X2	t	t1	w	z	$\varnothing d$	UxS
0710	1050	898	1303	1324	954	898	928	898	200	765	485	488	1121	1124	998	1340	165	948	398	71	50	630	630	18	11	90	64	60	17x22
0800	1181	1007	1468	1488	1063	1007	1037	1007	250	862	540	543	1255	1258	1107	1450	165	1057	453	74	50	710	710	18	11	90	64	60	17x22
0900	1319	1130	1648	1668	1186	1130	1160	1130	300	971	604	607	1408	1411	1230	1520	165	1180	510	89	50	800	800	18	11	90	64	60	17x22
1000	1451	1267	1810	1828	1323	1267	1297	1267	350	1066	657	660	1541	1544	1367	1700	165	1317	533	90	50	900	900	18	11	90	64	60	17x22

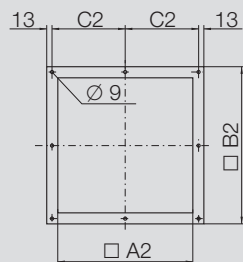
ADY G2E0

Dimensions in mm, subject to change.

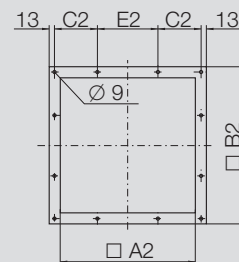
ADY G2L-0160/-0500



ADY G2L-0160/-0355



ADY G2L-0400/-0500



ADY G2L-0160/-0500

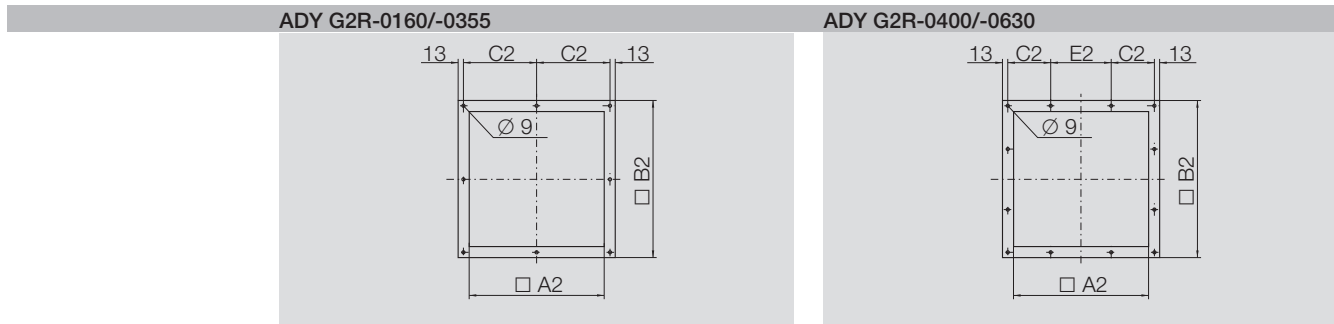
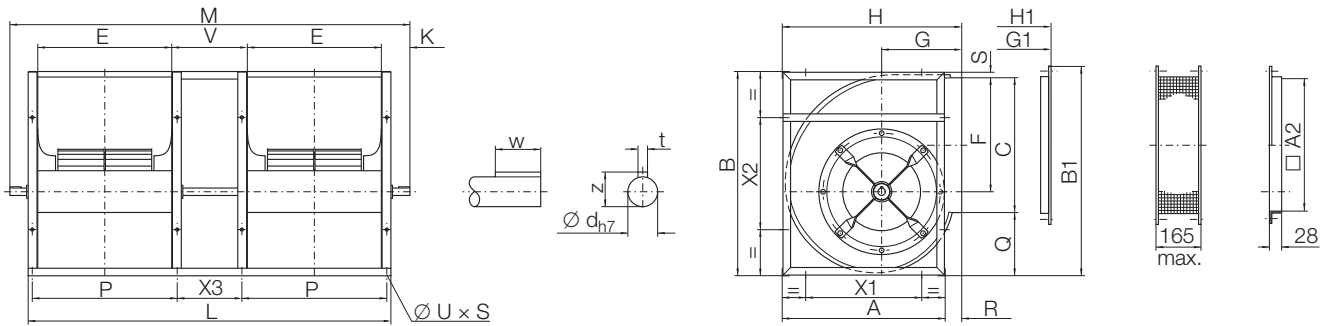
	A	B	C	E	F	G	L	M	P	Q
0160	290	310	205	205	173	141	630	710	600	121
0180	319	344	227	229	195	154	698	780	668	135
0200	348	378	258	256	216	163	772	876	742	144
0225	388	422	287	288	241	182	861	965	831	156
0250	423	467	322	322	268	195	954	1036	924	161
0280	471	524	361	361	302	215	1062	1160	1032	183
0315	522	586	403	404	338	236	1183	1301	1153	202
0355	582	658	450	453	381	261	1341	1451	1301	212
0400	654	745	507	507	432	290	1494	1606	1454	234
0450	732	838	571	569	487	322	1684	1790	1638	260
0500	805	928	641	638	541	352	1872	1986	1826	283

	S	V	K	X1	X2	X3	X4	t	w
0160	7	160	70	180	153	207	153	6	30
0180	7	180	71	180	167	227	167	6	30
0200	6	200	82	224	186	250	189	6	30
0225	7	225	82	224	202	279	209	6	30
0250	7	250	71	224	215	304	232	6	30
0280	6	280	79	280	242	337	261	8	40
0315	7	315	89	280	267	376	289	8	40
0355	7	355	95	355	281	418	327	8	40
0400	7	400	96	355	309	469	366	8	40
0450	7	450	101	530	344	526	415	10	50
0500	7	500	105	530	383	576	456	10	50

	z	$\varnothing d$	u x s	A1	B1	G1	A2	B2	C2	E2
0160	22.5	20h7	11 x 16	293	331	144	205	261	117.5	-
0180	22.5	20h7	11 x 16	322	365	157	229	285	129.5	-
0200	22.5	20h7	11 x 16	351	400	166	256	312	143	-
0225	22.5	20h7	11 x 16	391	443	185	288	344	159	-
0250	22.5	20h7	11 x 16	426	488	198	322	378	176	-
0280	28	25h7	11 x 16	474	546	218	361	417	195.5	-
0315	28	25h7	11 x 16	525	607	239	404	460	217	-
0355	33	30h7	11 x 16	585	679	264	453	509	241.5	-
0400	33	30h7	11 x 16	657	766	293	507	563	168.5	200
0450	38	35h7	13 x 18	735	859	325	569	625	199.5	200
0500	38	35h7	13 x 18	808	949	355	638	694	209	250

ADY G2R

Dimensions in mm, subject to change.
ADY G2R-0160/-0630



ADY G2R-0160/-0630

	A	B	C	E	F	G	H	L	M	P
0160	267	315	205	205	173	141	293	610	710	229
0180	294	350	227	229	195	154	322	678	780	253
0200	316	383	258	256	216	163	350	762	876	286
0225	355	429	287	288	241	182	392	851	965	318
0250	390	474	322	322	268	195	427	944	1036	352
0280	439	530	361	361	302	215	474	1062	1164	391
0315	490	592	403	404	338	236	526	1180	1300	434
0355	551	669	450	453	381	261	588	1337	1451	493
0400	618	754	507	507	432	290	659	1494	1606	547
0450	691	845	571	569	487	322	735	1668	1790	619
0500	760	935	641	638	541	352	809	1854	1986	688
0560	855	1050	716	715	606	390	903	2090	2276	765
0630	940	1157	801	801	679	434	996	2332	2575	851

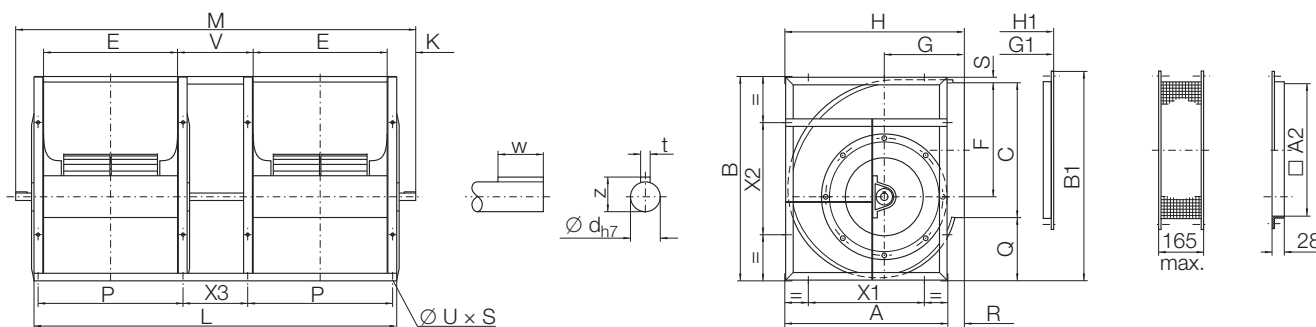
	Q	R	S	V	K	X1	X2	X3	t	w
0160	98	26	10	160	50	180	180	136	6	30
0180	113	28	8	180	51	180	180	156	6	30
0200	115	34	8	200	57	224	224	170	6	30
0225	129	37	11	225	57	224	224	195	6	30
0250	140	37	10	250	46	224	224	220	6	30
0280	158	35	9	280	51	280	280	250	8	40
0315	177	36	10	315	60	280	280	285	8	40
0355	204	37	13	355	57	355	355	315	8	40
0400	234	41	11	400	56	355	355	360	8	40
0450	261	44	11	450	61	530	530	400	10	50
0500	282	49	10	500	66	530	530	450	10	50
0560	319	48	13	560	93	530	530	510	12	70
0630	349	56	7	630	121	530	530	580	12	70

	z	ød	u × s	B1	H1	G1	A2	B2	C2	E2
0160	22.5	20h7	9 × 14	331	296	144	205	261	117.5	–
0180	22.5	20h7	9 × 14	368	325	157	229	285	129.5	–
0200	22.5	20h7	11 × 16	401	353	166	256	312	143	–
0225	22.5	20h7	11 × 16	444	395	185	288	344	159	–
0250	22.5	20h7	11 × 16	490	430	198	322	378	176	–
0280	28	25h7	13 × 18	547	477	218	361	417	195.5	–
0315	28	25h7	13 × 18	608	529	239	404	460	217	–
0355	33	30h7	13 × 18	682	591	264	453	509	241.5	–
0400	33	30h7	13 × 18	769	662	293	507	563	168.5	200
0450	38	35h7	13 × 18	860	738	325	569	625	199.5	200
0500	38	35h7	13 × 18	951	812	355	638	694	209	250
0560	43	40h7	13 × 18	1063	906	393	715	771	247.5	250
0630	43	40h7	13 × 18	1178	999	437	801	857	265.5	300

ADY G2K

Dimensions in mm, subject to change.

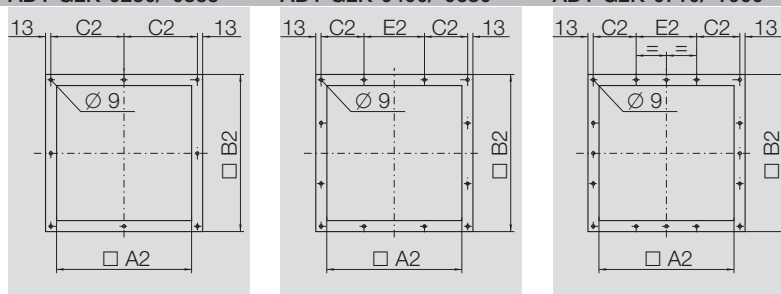
ADY G2K-0250/-1000



ADY G2K-0250/-0355

ADY G2K-0400/-0630

ADY G2K-0710/-1000



ADY G2K-0250/-1000

	A	B	C	E	F	G	H	L	M	P
0250	390	474	322	322	268	195	427	943	1085	352
0280	439	530	361	361	302	215	474	1062	1220	391
0315	490	592	403	404	338	236	526	1182	1340	434
0355	551	669	450	453	381	261	588	1341	1505	493
0400	618	754	507	507	432	290	659	1494	1660	547
0450	691	845	571	569	487	322	735	1668	1870	619
0500	760	935	641	638	541	352	809	1856	2060	688
0560	855	1050	716	715	606	390	903	2090	2330	765
0630	940	1157	801	801	679	434	1005	2332	2576	851
0710	1050	1303	898	898	765	485	1121	2606	2898	948
0800	1181	1468	1007	1007	862	540	1255	2914	3257	1057
0900	1319	1648	1130	1130	971	604	1408	3260	3550	1180
1000	1451	1810	1267	1267	1066	657	1541	3634	3927	1317

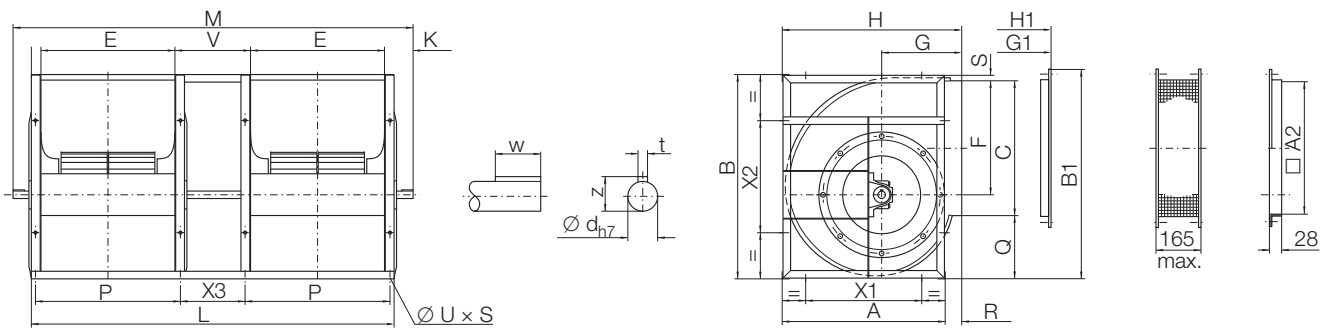
	Q	R	S	V	K	X1	X2	X3	t	t1	w
0250	140	37	10	250	71	224	224	220	8	7	40
0280	158	35	9	280	79	280	280	250	8	7	40
0315	177	36	10	315	79	280	280	285	8	7	40
0355	204	37	13	355	82	355	355	315	10	8	50
0400	234	41	11	400	83	355	355	360	10	8	50
0450	261	44	11	450	101	530	530	400	12	8	70
0500	282	49	10	500	102	530	530	450	12	8	70
0560	319	48	13	560	120	530	530	510	14	9	90
0630	349	59	7	630	122	530	530	580	14	9	90
0710	398	71	7	710	146	630	630	660	18	11	91
0800	453	74	8	800	172	710	710	750	18	11	91
0900	510	89	8	900	145	800	800	850	18	11	91
1000	534	90	9	1000	147	900	900	950	18	11	91

	z	$\varnothing d$	$u \times s$	B1	H1	G1	A2	B2	C2	E2
0250	28	25h7	11 x 16	490	430	198	322	378	176.0	-
0280	33	30h7	13 x 18	547	477	218	361	417	195.5	-
0315	33	30h7	13 x 18	608	529	239	404	460	217.0	-
0355	38	35h7	13 x 18	682	591	264	453	509	241.5	-
0400	38	35h7	13 x 18	769	662	293	507	563	168.5	200
0450	43	40h7	13 x 18	860	738	325	569	625	199.5	200
0500	43	40h7	13 x 18	951	812	355	638	694	209.0	250
0560	53.5	50h7	13 x 18	1063	906	393	715	771	247.5	250
0630	53.5	50h7	13 x 18	1179	1008	437	801	857	265.5	300
0710	64	60h7	17 x 22	1391	1124	488	898	954	264.0	400
0800	64	60h7	17 x 22	1561	1258	543	1007	1063	268.5	500
0900	64	60h7	17 x 22	1748	1411	607	1130	1186	280.0	600
1000	64	60h7	17 x 22	1930	1544	660	1267	1323	298.5	700

ADY G2K2

Dimensions in mm, subject to change.

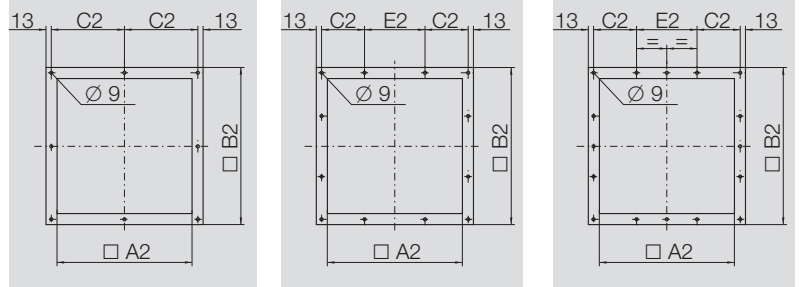
ADY G2K2-0250/-1000



ADY G2K2-0250/-0355

ADY G2K2-0400/-0630

ADY G2K2-0710/-1000



ADY G2K2-0250/-1000

	A	B	C	E	F	G	H	L	M	P
0250	390	474	322	322	268	195	427	943	1085	352
0280	439	530	361	361	302	215	474	1062	1230	391
0315	490	592	403	404	338	236	526	1182	1400	434
0355	551	669	450	453	381	261	588	1341	1545	493
0400	618	754	507	507	432	290	659	1494	1800	547
0450	691	845	571	569	487	322	735	1668	1924	619
0500	760	935	641	638	541	352	809	1856	2146	688
0560	855	1050	716	715	606	390	903	2090	2380	765
0630	940	1157	801	801	679	434	1005	2332	2576	851
0710	1050	1303	898	898	765	485	1121	2606	2898	948
0800	1181	1468	1007	1007	862	540	1255	2914	3257	1057
0900	1319	1648	1130	1130	971	604	1408	3260	3550	1180
1000	1451	1810	1267	1267	1066	657	1541	3634	3927	1317

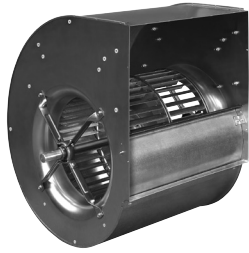
	Q	R	S	V	K	X1	X2	X3	t	w
0250	140	37	10	250	71	224	224	220	8	40
0280	158	35	9	280	84	280	280	250	10	50
0315	177	36	10	315	109	280	280	285	12	70
0355	204	37	13	355	102	355	355	315	12	70
0400	234	41	11	400	153	355	355	360	14	90
0450	261	44	11	450	128	530	530	400	14	90
0500	282	49	10	500	145	530	530	450	18	90
0560	319	48	13	560	145	530	530	510	18	90
0630	349	59	7	630	122	530	530	580	18	91
0710	398	71	7	710	146	630	630	660	18	91
0800	453	74	8	800	172	710	710	750	18	91
0900	510	89	8	900	145	800	800	850	18	91
1000	534	90	9	1000	147	900	900	950	18	91

	z	$\varnothing d$	$u \times s$	B1	H1	G1	A2	B2	C2	E2
0250	33	30h7	11 × 16	490	430	198	322	378	176.0	–
0280	38	35h7	13 × 18	547	477	218	361	417	195.5	–
0315	43	40h7	13 × 18	608	529	239	404	460	217.0	–
0355	43	40h7	13 × 18	682	591	264	453	509	241.5	–
0400	53.5	50h7	13 × 18	769	662	293	507	563	168.5	200
0450	53.5	50h7	13 × 18	860	738	325	569	625	199.5	200
0500	64	60h7	13 × 18	951	812	355	638	694	209.0	250
0560	64	60h7	13 × 18	1063	906	393	715	771	247.5	250
0630	64	60h7	13 × 18	1179	1008	437	801	857	265.5	300
0710	64	60h7	17 × 22	1391	1124	488	898	954	264.0	400
0800	64	60h7	17 × 22	1561	1258	543	1007	1063	268.5	500
0900	64	60h7	17 × 22	1748	1411	607	1130	1186	280.0	600
1000	64	60h7	17 × 22	1930	1544	660	1267	1323	298.5	700

ADY L-0160/-0560
ADY L-0630/-0710

ADY G2L-0160/-0500

Specifications



High performance centrifugal fan ADY L

Double inlet, belt drive.
Lap jointed scroll of galvanised sheet steel assembled through Pittsburgh lockforming.
Multi-position feet and discharge flange as an option.
Impeller with forward curved blades of galvanised sheet steel, balanced in according to ISO 1940.
Straight cut off at fan discharge (sizes 0160/-0560), from size 0630 with V-cut off.
Noise tested, maintenance free, self aligning radial insert ball bearings, mounted in pressed steel housing/strut assemblies with rubber interliners.
Performance data in according to DIN 24166 tolerance class 2.

Twin fan arrangement



Twin fan arrangement

High performance centrifugal fan ADY G2L

The two single fans ADY0 are fitted together to a robust assembly by means of 3 U-channels. Both impellers are fitted on a common shaft supported by 3 bearings.

Fan data

Fan type	
Volume flow	Q _v	m ³ /h
Total pressure increase	p _F	Pa
Static pressure	p _{sF}	Pa
Air density at fan inlet	ρ ₁	kg/m ³
Air medium temperature	t	°C
Shaft power	P _a	kW
Efficiency	(η _a)	
Speed	N	1/min
Sound power level (A weighted)	L _{WA}	dB
Weight	m	kg

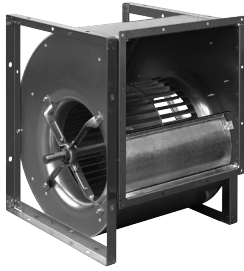
Fittings / Accessories

- Multi-Position feet
- Discharge flange
- Discharge flex with flexible sleeve
- Inlet guard
- Discharge guard
- Shaft guard for free shaft end
- Matching flange
- Inspection door
- Drain plug R 1/8"
- Increase corrosion protection
- Shaft made of stainless steel
- Nuts and bolts and fastening elements made of stainless steel
- Aluminium inlet cone
- Copper inlet cone, or equipped with a copper strip (from size 0630)

ADY R-0160/-0560
ADY R-0630/-0710

ADY G2R-0160/-0630

Specifications



High performance centrifugal fan ADY R

Double inlet, belt drive.
Lap jointed scroll of galvanised sheet steel assembled through Pittsburgh lockforming, discharge flange as an option.
Rectangular side frame of galvanised steel.
Impeller with forward curved blades of galvanised sheet steel, balanced in according to ISO 1940. Straight cut off at fan discharge (sizes 0160/-0560), from size 0630 with V-cut off.
Noise tested, maintenance free, self aligning radial insert ball bearings, mounted in pressed steel housing/strut assemblies with rubber interliners.
Performance data in according to DIN 24166 tolerance class 2.

Twin fan arrangement



Twin fan arrangement

High performance centrifugal fan ADY G2R

The two single fans ADY R are fitted together to a robust assembly by means of 3 angle bars. Both impellers are fitted on a common shaft supported by 3 bearings.

Fan data

Fan type	
Volume flow	Q_V	m ³ /h
Total pressure increase	p_F	Pa
Static pressure	p_{SF}	Pa
Air density at fan inlet	ρ_1	kg/m ³
Air medium temperature	t	°C
Shaft power	P_a	kW
Efficiency	(η_a)	
Speed	N	1/min
Sound power level (A weighted)	L_{WA}	dB
Weight	m	kg

Fittings / Accessories

- Discharge flange
- Discharge flex with flexible sleeve
- Inlet guard
- Discharge guard
- Shaft guard for free shaft end
- Matching flange
- Inspection door
- Drain plug R 1/8"
- Increase corrosion protection
- Shaft made of stainless steel
- Nuts and bolts and fastening elements made of stainless steel
- Aluminium inlet cone
- Copper inlet cone, or equipped with a copper strip (from size 0630)

ADY K-0200/-0560
ADY K-0630/-1000

ADY G2K-0250/-1000

Specifications



High performance centrifugal fan ADY K

Double inlet, belt drive.
Lap jointed scroll of galvanised sheet steel assembled through Pittsburgh lockforming, discharge flange as an option.
Welded heavy duty reinforced side frames, coated.
Impeller with forward curved blades of galvanised sheet steel, balanced in according to ISO 1940. Straight cut off at fan discharge (sizes 0200/-0560), from size 0630 with V-cut off.
Monobloc pedestal cast iron bearings with relubrication nipple, mounted on a robust pedestal, integrated, self aligning radial insert ball bearings fixed by eccentric clamp.
Performance data in according to DIN 24166 tolerance class 2.

Twin fan arrangement



Twin fan arrangement

High performance centrifugal fan ADY G2K

The two single fans ADY K are fitted together to a robust assembly by means of 3 angle bars. Both impellers are fitted on a common shaft supported by 3 bearings (sizes 0250/-0630) or the fans have separated shafts being connected by an elastic coupling (sizes 0710/-1000).

Fan data

Fan type	
Volume flow	Q_v	m ³ /h
Total pressure increase	p_F	Pa
Static pressure	p_{sF}	Pa
Air density at fan inlet	ρ_1	kg/m ³
Air medium temperature	t	°C
Shaft power	P_a	kW
Efficiency	(η_a)	
Speed	N	1/min
Sound power level (A weighted)	L_{WA}	dB
Weight	m	kg

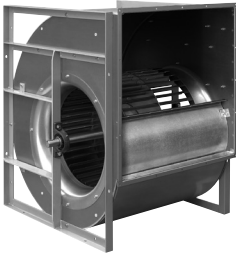
Fittings / Accessories

- Discharge flange
- Discharge flex with flexible sleeve
- Inlet guard
- Discharge guard
- Shaft guard for free shaft end
- Matching flange
- Inspection door
- Drain plug R 1/8"
- Reinforcing side frame hot dip galvanised
- Increase corrosion protection
- Shaft made of stainless steel
- Nuts and bolts and fastening elements made of stainless steel
- Aluminium inlet cone
- Copper inlet cone, or equipped with a copper strip (from size 0630)

ADY K1-0315/-0560

ADY K1-0630/-0900

Specifications



High performance centrifugal fan ADY K1

Double inlet, belt drive.
 Lap jointed scroll of galvanized sheet steel assembled through Pittsburgh lockforming, discharge flange as an option.
 Welded heavy duty reinforced side frames, coated.
 Impeller with forward curved blades of galvanized sheet steel, balanced in according to ISO 1940.
 Straight cut off at fan discharge (sizes 0315/-0560), from size 0630 with V-cut off.
 Monobloc pedestal cast iron bearings with relubrication nipple, mounted on a robust pedestal, integrated, self aligning radial ball bearings fixed by conical sleeve.
 Performance data in according to DIN 24166 tolerance class 2.

Fan data

Fan type		
Volume flow	Q_V	m ³ /h
Total pressure increase	p_F	Pa
Static pressure	p_{SF}	Pa
Air density at fan inlet	ρ_1	kg/m ³
Air medium temperature	t	°C
Shaft power	P_a	kW
Efficiency	(η_a)	
Speed	N	1/min
Sound power level (A weighted)	L_{WA}	dB
Weight	m	kg

Fittings / Accessories

- Discharge flange
- Discharge flex with flexible sleeve
- Inlet guard
- Discharge guard
- Shaft guard for free shaft end
- Matching flange
- Inspection door
- Drain plug R 1/8"
- Reinforcing side frame hot dip galvanised
- Increase corrosion protection
- Shaft made of stainless steel
- Nuts and bolts and fastening elements made of stainless steel
- Aluminium inlet cone
- Copper inlet cone, or equipped with a copper strip (from size 0630)

ADY K2-0500/-0560 ADY K2-0630/-1000

Specifications



High performance centrifugal fan ADY K2

Double inlet, belt drive.
Lap jointed scroll of galvanised sheet steel assembled through Pittsburgh lockforming, discharge flange as an option.
Welded heavy duty reinforced side frames, coated.
Impeller with forward curved blades of galvanised sheet steel, balanced in according to ISO 1940. Straight cut off at fan discharge (sizes 0500/-0560), from size 0630 with V-cut off.

Size 0500

Monobloc pedestal cast iron bearings with relubrication nipple, mounted on a robust pedestal, integrated, maintenance free, self aligning radial insert ball bearings fixed by conical sleeve

Sizes 0560 up to 0800

Split pedestal cast iron bearings with relubrication nipple, mounted on a robust pedestal, integrated self aligning double row bearings fixed by conical sleeve, lubricated with long life high performance grease.

Sizes 0900 and 1000

Single piece plummer block housing, with grease nipple, mounted on robust pedestal, equipped with self aligning double row roller bearing, fixed to impeller shaft by a concentric shaft tightening, lubricated with long life high performance grease.

Performance data in according to DIN 24166 tolerance class 2.

Fan data

Fan type	
Volume flow	Q_v	m ³ /h
Total pressure increase	p_F	Pa
Static pressure	p_{sF}	Pa
Air density at fan inlet	ρ_1	kg/m ³
Air medium temperature	t	°C
Shaft power	P_a	kW
Efficiency	(η_a)	
Speed	N	1/min
Sound power level (A weighted)	L_{WA}	dB
Weight	m	kg

Fittings / Accessories

- Discharge flange
- Discharge flex with flexible sleeve
- Inlet guard
- Discharge guard
- Shaft guard for free shaft end
- Matching flange
- Inspection door
- Drain plug R 1/8"
- Reinforcing side frame hot dip galvanised
- Increase corrosion protection
- Shaft made of stainless steel
- Nuts and bolts and fastening elements made of stainless steel
- Threaded hole for measurement of shock impulse (sizes 0560 up to 1000)
- Aluminium inlet cone
- Copper inlet cone, or equipped with a copper strip (from size 0630)

ADY G2K2-0250/-1000

Specifications



Centrifugal twin fan ADY G2K2

Double inlet, belt drive.

Lap jointed scroll of galvanised sheet steel assembled through Pittsburgh lockforming, fitted together to a robust assembly by means of 3 crossbars, discharge flange as an option.

Welded heavy duty reinforced side frames, coated.

Both impellers, with forward curved blades, made of galvanised sheet steel, are fitted on a common shaft supported by 3 bearings (sizes 0250/-0630) or the fans have separated shafts being connected by a flexible coupling (sizes 0710/-1000), balanced in according to ISO 1940.

Straight cut off at fan discharge (sizes 0250/-0560), from size 0630 with V-cut off.

Sizes 0250 up to 0630

Single piece cast iron block housing with relubrication nipple, mounted on a robust pedestal, integrated, maintenance free, self aligning radial insert ball bearings fixed by conical sleeve.

Sizes 0710 up to 1000

Single piece cast iron block housing with relubrication nipple, mounted on a robust pedestal,

outside bearings: integrated self aligning double row roller bearings, fixed by conical sleeve, lubricated with long life high performance grease.

inside bearings: integrated single row ball bearings, fixed by eccentric clamp, lubricated with long life high performance grease.

Performance data in according to DIN 24166 tolerance class 2.

Fan data

Fan type	
Volume flow	Q_V	m ³ /h
Total pressure increase	p_F	Pa
Static pressure	p_{SF}	Pa
Air density at fan inlet	ρ_1	kg/m ³
Air medium temperature	t	°C
Shaft power	P_a	kW
Efficiency	(η_a)	
Speed	N	1/min
Sound power level (A weighted)	L_{WA}	dB
Weight	m	kg

Fittings / Accessories

- Discharge flange
- Discharge flex with flexible sleeve
- Inlet guard
- Discharge guard
- Shaft guard for free shaft end
- Matching flange
- Inspection door
- Drain plug R 1/8"
- Reinforcing side frame hot dip galvanised
- Increase corrosion protection
- Shaft made of stainless steel
- Nuts and bolts and fastening elements made of stainless steel
- Threaded hole for measurement of shock impulse (sizes 0560 up to 1000)
- Aluminium inlet cone
- Copper inlet cone, or equipped with a copper strip (from size 0630)

Nicotra Gebhardt worldwide

nicotra-gebhardt.com

EN-TD3-ADY-1.1 - PDF1 - July 2013

AUSTRALIA

65 Yale Drive,
Epping, VIC 3076
Phone +61 3 9017 5333
Fax +61 3 8401 3969
E-mail info@nicotra.com.au

BELGIUM

Haeghensgoed, 13 - 00/01
9270 Laarne
Phone +32 (0)9-336-00-01
Fax +32 (0)9-336-00-05
E-mail info.nicotra@nicotra.be

CHINA

88 Tai'An Road, XinQiao, ShiJi, Panyu
Guangzhou 511450
PR CHINA
Phone +86 (0)20-39960570
Fax +86 (0)20-39960569
E-mail sales@nicotra-china.com

FRANCE

Leader's Park Bat A1
3 chemin des Cytises
69340 Francheville
Phone +33 (0)4 72 79 01 20
Fax +33 (0)4 72 79 01 21
E-mail g.cauche@nicotra-gebhardt.com

GERMANY

Gebhardtstraße 19-25
74638 Waldenburg
Phone +49 (0)7942 101 0
Fax +49 (0)7942 101 170
E-mail info@nicotra-gebhardt.com

GREAT BRITAIN

Unit D, Rail Mill Way
Parkgate Business Park
Rotherham
South Yorkshire
S62 6JQ
Phone +044 01709-780760
Fax +044 01709-780762
E-mail sales@nicotra.co.uk

INDIA

Plot no 28F & 29, Sector-31, Kasna,
Greater Noida-201 308 U.P (India)
Phone +91 120 4783400
Phone +91 22 65702056 (Mumbai)
Phone +91 80 25727830 (Bangalore)
E-mail info@nicotraindia.com

ITALY

Via Modena, 18
24040 Zingonia (BG)
Phone +39 035 873 111
Fax +39 035 884 319
E-mail info@nicotra-gebhardt.com

Nicotra Gebhardt Germany

Nicotra Gebhardt GmbH
Gebhardtstraße 19-25
74638 Waldenburg
Germany
Phone +49 (0)7942 101 0
Fax +49 (0)7942 101 170
E-Mail info@nicotra-gebhardt.com



MALAYSIA

Lot 1799, Jalan Balakong
Taman Perindustrian Bukit Belimbing
43300 Seri Kembangan
Selangor
Phone +603 8961-2588
Fax +603 8961-8337
E-mail info_malaysia@nicotra-gebhardt.com

SPAIN

Ctra. Alcalá-Villar del Olmo, Km. 2,830
28810 Villalbilla-Madrid
Phone +34 918-846110
Fax +34 918-859450
E-mail info@nicotra.es

SINGAPORE

3, Science Park Drive, # 04-07, The Franklin
Singapore Science Park 1
Singapore 118223
Phone +65 6265 1522
Fax +65 6265 2400
E-mail info_singapore@nicotra-gebhardt.com

Nicotra Gebhardt Italy

Nicotra Gebhardt S.p.A
Via Modena, 18
24040 Zingonia (BG)
Italy
Phone +39 035 873 111
Fax +39 035 884 319
E-Mail info@nicotra-gebhardt.com

SWEDEN

Kraketorpsgatan 30
43153 Mölndal
Phone 0046 101-302600
Fax 0046 31-878590
E-mail info.se@nicotra-gebhardt.com

THAILAND

6/29 Soi Suksawadi 2, Moo 4, Suksawadi Road,
Kwang Jomthong, Khet Jomthong,
Bangkok 10150
Phone +662 476-1823-6
Fax +662 476-1827
E-mail sales@nicotra.co.th

UNITED STATES

PO BOX 900921
Sandy, Utah 84090
Phone 001(801) 733-0248
Fax 001(801) 315-9400
Mobile 001(801) 682 0898
E-mail mike.sehgal@gebhardtfans.com
<http://www.gebhardtfans.com/>

NICOTRA | **Gebhardt**
fan|tastic solutions