



13375 Commerce Blvd.  
 Rogers, MN 55374  
 866-260-4047  
 www.americlad.com

**AC-96SF STATIONARY LOUVER**  
 FLANGE FRAME

**STANDARD CONSTRUCTION**

**FRAME**

- 6" deep, 6063-T5 extruded aluminum with a .125" nominal wall thickness

**BLADES**

- 6063-T5 extruded aluminum with a .125" nominal wall thickness
- Blades are positioned at a 37.5° angle and spaced approximately 5.938" centers

**SCREEN**

- .5" x .051" thick, aluminum flattened expanded metal bird screen in a removable frame
- Screen will add approximately 0.5" to the overall louver depth

**FINISH**

- Mill Finish

**MINIMUM LOUVER SIZE**

- 12" wide x 12" high

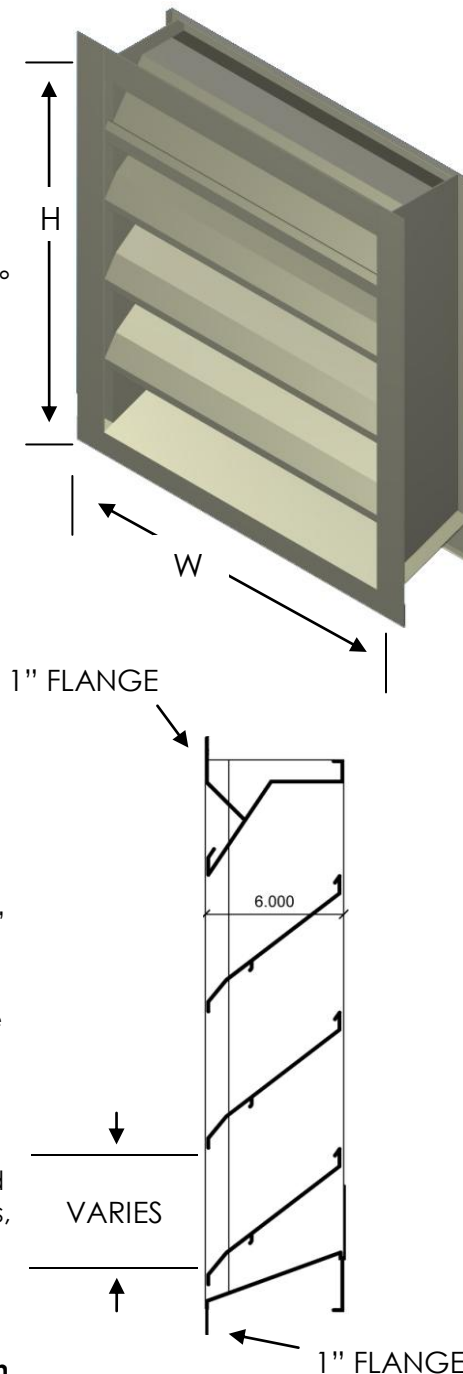
**MAXIMUM LOUVER SIZE**

- 70 square feet per section
- Single section size not to exceed 120" wide x 84" high or 84" wide x 120" high
- Louvers exceeding the maximum single section size will be built in multiple sections and require field assembly

**BLADE BRACE SUPPORT ANGLES**

- Depending on louver size, wind load, or other special requirements, louvers will have rear mounted blade support angles that will increase overall louver depth

**Note: Louvers built .25" smaller than opening size given**



**STANDARD FEATURES**

- Aluminum construction, providing a high resistance to corrosion
- All welded construction for strength and durability
- 57% Free Area (based on a 48" x 48" unit)
- Drainable head collects and channels water to drainable jamb to provide excellent water penetration performance
- Hidden mullions allow for continuous blade appearance up to 120"
- Published performance ratings data based on testing in accordance with AMCA Publication 511

**OPTIONS AVAILABLE**

Many optional accessories to the basic design are available at an additional cost, including:

- Sill extension/head flashing
- Hinged frame/channel subframe
- Security bars
- Filter rack
- Bird/insect screens (please refer to screen submittal)
- Blank-off panels (standard or insulated)

**FINISHES**

- Kynar 500/Hylar 5000
- Baked Enamel
- Prime Coat
- Anodized in various colors and shades (some color variation is possible with anodized finishes)

**Contact Quality Metalcrafts, LLC / AMERICLAD® for any additional information or any special requirements**



13375 Commerce Blvd.  
 Rogers, MN 55374  
 866-260-4047  
 www.americlad.com

**AC-96SC STATIONARY LOUVER**  
 CHANNEL FRAME

**STANDARD CONSTRUCTION**

**FRAME**

- 6" deep, 6063-T5 extruded aluminum with a .125" nominal wall thickness

**BLADES**

- 6063-T5 extruded aluminum with a .125" nominal wall thickness
- Blades are positioned at a 37.5° angle and spaced approximately 5.938" centers

**SCREEN**

- .5" x .051" thick, aluminum flattened expanded metal bird screen in a removable frame
- Screen will add approximately 0.5" to the overall louver depth

**FINISH**

- Mill Finish

**MINIMUM LOUVER SIZE**

- 12" wide x 12" high

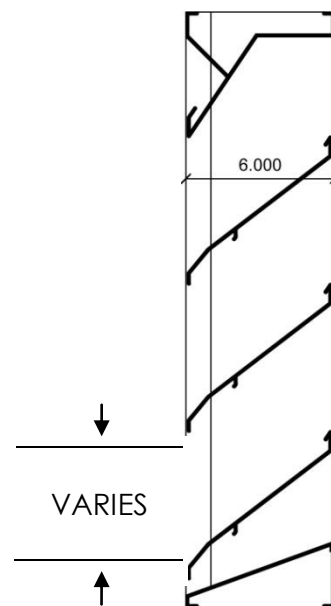
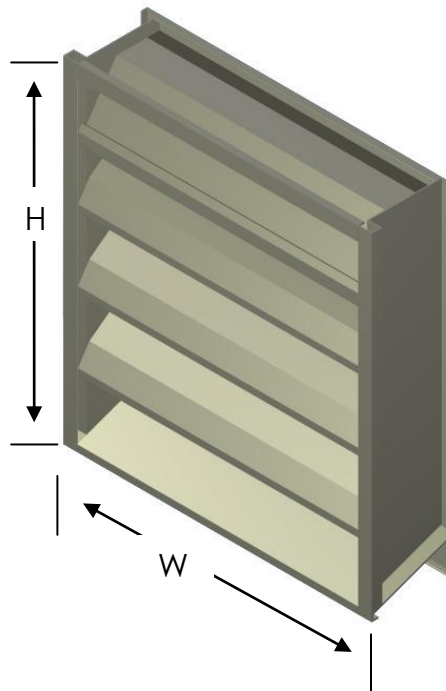
**MAXIMUM LOUVER SIZE**

- 70 square feet per section
- Single section size not to exceed 120" wide x 84" high or 84" wide x 120" high
- Louvers exceeding the maximum single section size will be built in multiple sections and require field assembly

**BLADE BRACE SUPPORT ANGLES**

- Depending on louver size, wind load, or other special requirements, louvers will have rear mounted blade support angles that will increase overall louver depth

**Note: Louvers built .25" smaller than opening size given**



**STANDARD FEATURES**

- Aluminum construction, providing a high resistance to corrosion
- All welded construction for strength and durability
- 57% Free Area (based on a 48" x 48" unit)
- Drainable head collects and channels water to drainable jamb to provide excellent water penetration performance
- Hidden mullions allow for continuous blade appearance up to 120"
- Published performance ratings data based on testing in accordance with AMCA Publication 511

**OPTIONS AVAILABLE**

Many optional accessories to the basic design are available at an additional cost, including:

- Sill extension/head flashing
- Hinged frame/channel subframe
- Security bars
- Filter rack
- Bird/insect screens (please refer to screen submittal)
- Blank-off panels (standard or insulated)

**FINISHES**

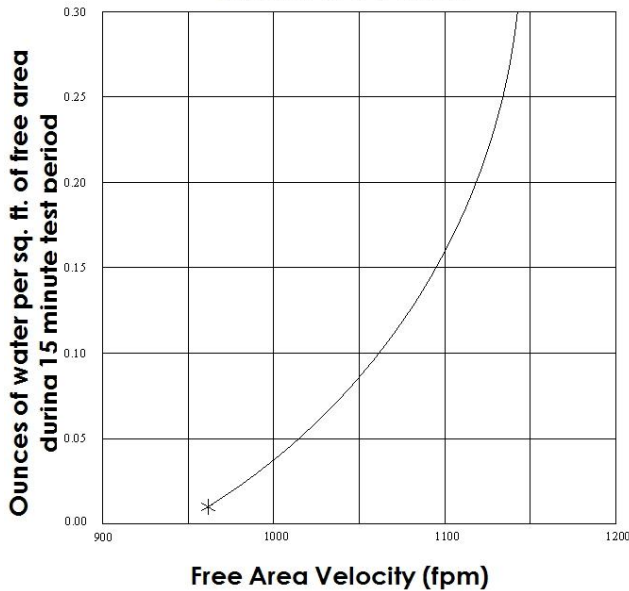
- Kynar 500/Hylar 5000
- Baked Enamel
- Prime Coat
- Anodized in various colors and shades (some color variation is possible with anodized finishes)

**Contact Quality Metalcrafts, LLC / AMERICLAD® for any additional information or any special requirements**

**AC-96D PERFORMANCE DATA SHEET**

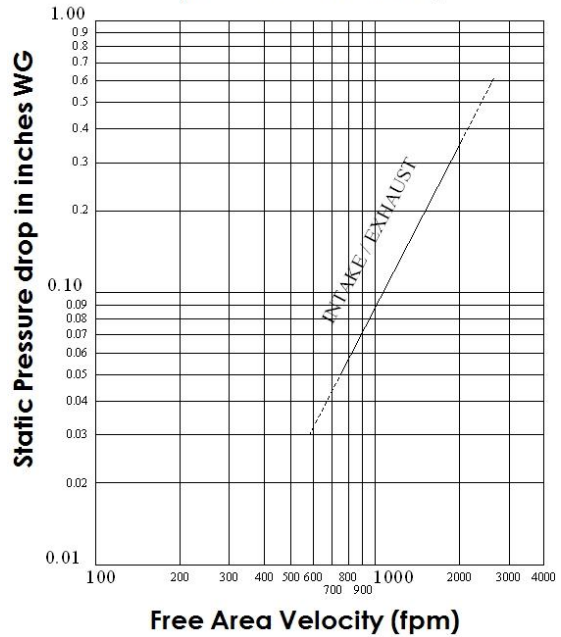
**WATER PENETRATION**

\* Beginning point of water penetration is 962 fpm  
(Based on 48" x 48" louver)



**PRESSURE DROP**

(Based on 48" x 48" louver)



**WATER PENETRATION**

AMCA defines the beginning point of water penetration as the free area velocity at which 0.01 ounces or less of water per square foot of louver free area is measured to pass through a 48" x 48" louver during a 15 minute period. The AMCA water penetration test provides test data for the comparison of louver designs as to efficiency in resisting the penetration of rainfall under specific laboratory test conditions.

**LOUVER SIZE DETERMINATION**

_____ cfm / _____ fpm = _____ ff <sup>2</sup>
air flow / free area velocity @ / required louver volume / beginning point of water / free area penetration
<b>Select louver size from Free Area Chart below, based on required louver free area above.</b>
<b>Determine pressure drop from Pressure Drop Chart based on required louver free area above.</b>



Quality Metalcrafts, LLC certifies that the product line shown herein is licensed to bear the AMCA seal. The ratings shown are based on tests and procedures performed in accordance with AMCA Publication 511 and comply with the requirements of the AMCA Certified Ratings Program. The AMCA Certified Rating Seal applies to water penetration and air performance ratings for rectangular louvers only.

**AC-96D FREE AREA CHART**

Free area chart shows square feet of free area of various louver sizes  
Free Area AMCA Licensed for openings up to 84" x 120"

H/W	12	24	36	48	60	72	84	96	108	120
12	0.28	0.63	0.98	1.33	1.67	2.02	2.37	2.72	3.06	3.41
24	0.83	1.85	2.87	3.89	4.91	5.93	6.95	7.97	8.99	10.01
36	1.38	3.07	4.76	6.46	8.15	9.84	11.54	13.23	14.92	16.62
48	1.92	4.29	6.66	9.17	11.39	13.76	16.12	18.49	20.86	23.22
60	2.47	5.51	8.55	11.59	14.63	17.67	20.71	23.75	26.79	29.83
72	3.02	6.73	10.44	14.15	17.87	21.58	25.29	29.01	32.72	36.43
84	3.56	7.95	12.33	16.72	21.11	25.49	29.88	34.26	38.65	43.04
96	4.11	9.17	14.23	19.29	24.35	29.40	34.46	39.52	44.58	49.64
108	4.66	10.39	16.12	21.85	27.58	33.32	39.05	44.78	50.51	56.24
120	5.20	11.61	18.01	24.42	30.82	37.23	43.63	50.04	56.44	62.85