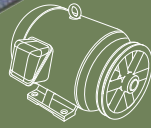
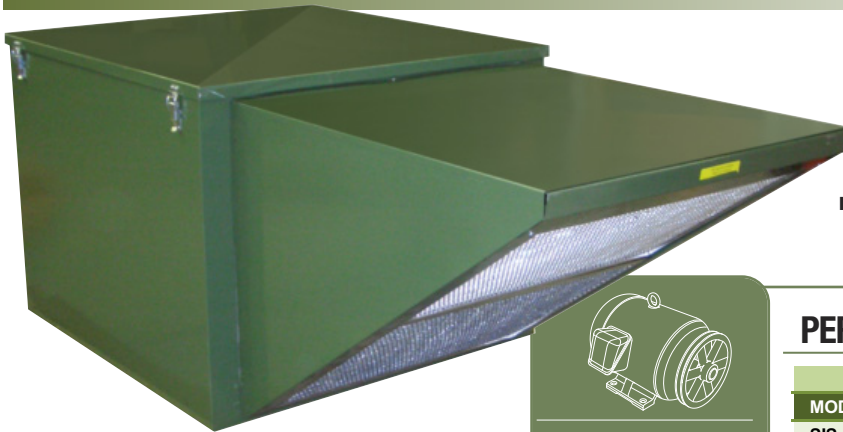


SIS SERIES

Side Intake Filtered Fresh Air Supply Units

An economical fresh air supply unit designed as a practical method to meet NFPA 96 separation requirements between supply & exhaust air streams in restaurant applications. Also suitable for many other applications, such as schools and apartments.



AVAILABLE WITH MOTORS & DRIVES FACTORY INSTALLED. CONSULT OUR DELAIR FAN SELECTION SOFTWARE FOR DETAILS.



Canarm certifies that the SIS Series shown herein are licensed to bear the AMCA Seal. The ratings shown are based on tests and procedures performed in accordance with AMCA Publications 211 & 311 and comply with the requirements of the AMCA Certified Ratings Programme.



PERFORMANCE SPECIFICATIONS

TYPICAL MAXIMUM CFM @ SP							
MODEL	1/2" SP	1" SP	1 1/2" SP	2" SP	2 1/2" SP	Min HP	Max HP
SIS-9	2300	2200	2000	1800	1600	1/4	1 1/2
SIS-10	2700	2400	2200	1900	1700	1/4	1 1/2
SIS-12	3600	3300	2900	2600	2100	1/4	2
SIS-15	5400	5100	4500	4000	3300	1/2	3
SIS-18	8400	7800	7000	6200	4600	1/2	5
SIS-20	12500	11700	10900	10300	9500	2	10

Power rating (BHP) does not include transmission losses. Performance certified is for installation type B: Free inlet, Ducted outlet. Performance ratings do not include the effect of appurtenances (accessories).

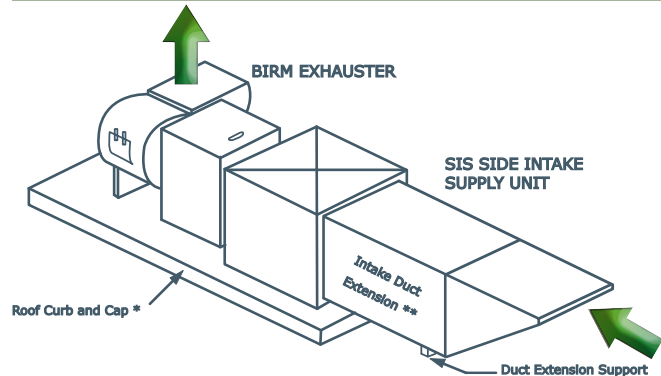
CFM values listed above are summarized for convenience.

FOR FAN CURVES & FULL PERFORMANCE DATA, CONSULT OUR DELAIR SOFTWARE. DOWNLOAD DELAIR @ WWW.CANARM.COM/DELAIR

FEATURES

- Easy on-site addition of customer supplied air supply duct extension between the intake hood and unit provides additional separation where necessary.
- Filters designed with large surface area for efficient filtration.
- Green weather resistant baked powder coat finish.
- Weather proof cabinet designed for outdoor roof mounting.
- Flexible forward curved belt drive blowers operate at low speed and low noise levels.
- Heavy duty ball bearings suitable for -65° to +250° F.
- Washable aluminum mesh filter are located in the intake hood (except SIS-20) and are accessible through the hood end cap for ease of service.
- SIS-20 has a drawer type filter section (not illustrated). The SIS-20 intake hood has a screened inlet.

TYPICAL INSTALLATION

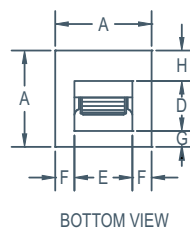
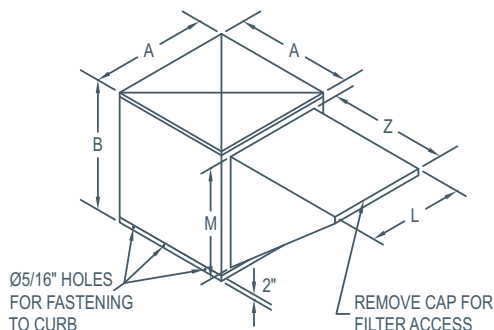


DIMENSIONS

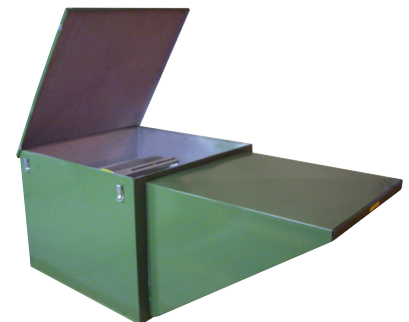
MODEL	A	B	D	E	F	G	H	L	M	Z	FILTERS		*INSIDE CABINET	UNIT WEIGHT (LBS) (without motors & drives)
											SIZE	QUANTITY		
SIS-9	24 3/8"	19 3/8"	10 1/4"	11 13/16"	6 9/32"	7 1/16"	7 1/16"	19 1/4"	16 9/16"	21 1/4"	16" x 24" x 1"	1	24"x 24"	70
SIS-10	28 3/8"	21 3/8"	11 3/8"	13 1/8"	7 5/8"	8 1/2"	8 1/2"	20 1/2"	18 9/16"	25 3/4"	15" x 20" x 1"	2	28"x 28"	87
SIS-12	32 3/8"	24 5/8"	13 7/16"	15 5/8"	8 3/8"	9 15/32"	9 15/32"	25 3/8"	21 9/16"	30 3/4"	20" x 25" x 1" & 16" x 25" x 1"	1 & 1	32"x 32"	117
SIS-15	36 3/8"	28 3/8"	15 7/8"	18 5/8"	8 7/8"	8"	12 1/2"	31 3/16"	25 13/16"	33 1/2"	20" x 28 1/2" x 1"	2	36"x 36"	175
SIS-18	36 3/8"	42 1/2"	18 7/8"	21 7/8"	7 1/4"	6 1/4"	11 1/4"	35 5/8"	32 11/16"	40 1/4"	20" x 25" x 1" & 16" x 25" x 1"	2 & 2	36"x 36"	262
SIS-20	44 3/8"	49"	24 3/4"	24 3/4"	9 13/16"	5 3/16"	14 7/16"	38 5/8"	35 9/16"	45 1/2"	20" x 25" x 1"	6	44"x 44"	497

* Curb size to be smaller than inside cabinet to allow for flashing and roofing.

** Includes filter section.



EASY TO SERVICE. LATCHED TOP COVER PROVIDES CONVENIENT ACCESS TO MOTOR, PULLEYS AND BELT.



ACCESSORIES

- Roof curbs (see page C27)