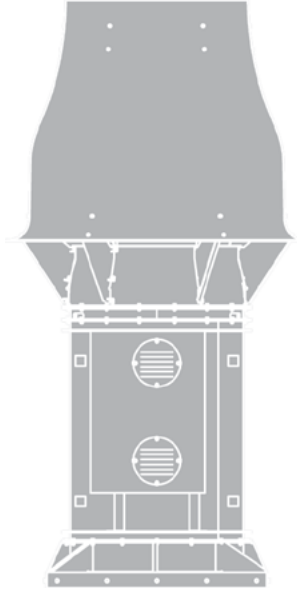


Vari-Plume[®]
Laboratory Exhaust



QMX-VP Performance Data
Direct Drive
Belt Drive



QMX-VP

Vari-Plume® Laboratory Exhaust Mixed Flow Inline Belt or Direct Drive

Standard Features and Dimensions

3-4

Air Performance:

Direct Drive

QMXDVP

165-245	5
270-330	6
365-600	7

QMXHPDVP

165-245	8
270-365	9
402-600	10

Belt Drive

QMXVP

90-120	11
135	12
150	13
165	14
180	15
202	16
225	17
245	18
270	19
300	20
330	21
365	22
402	23
445-490	24
540-600	25

QMXHPVP

90-120	26
135	27
150	28
165	29
180	30
202	31
225	32
245	33
270	34
300	35
330	36
365	37
402	38
445	39
490	40
540	41
	42
	43

Vari-Plume® Laboratory Exhaust with Mixed Flow Blower

- Direct or belt drive
- Standard or high pressure (HP)

Standard Features of Fan Assembly

- High efficiency non-overloading welded aluminum mixed-flow wheel
- Minimum 14 gauge steel welded housing
- Welded aerodynamic straightening vanes
- Double concentric accelerator fiberglass-reinforced plastic induction dilution nozzle
- Phenolic epoxy powder with UV protection (Light Gray)
- Bolted access door
- Lifting lugs
- Fan drain
- Weather cover
- Reinforced curb cap
- Inlet duct collar
- Stainless steel shaft
- Stainless steel hardware
- Stainless steel extended lube lines
- NEMA 3R disconnect mounted and pre-wired
- Dual access housing. (direct drive only)
- Designed to withstand 125 mph wind (dependent on adequate attachment to roof structure)
- L10/40k Concentric locking regreasable bearings (belt drive only)



Loren Cook Company certifies that the QMXDVP, QMXHPDVP, QMXVP and QMXHPVP shown herein are licensed to bear the AMCA Seal. The ratings shown are based on tests and procedures performed in accordance with AMCA Publication 211 and AMCA Publication 311 and comply with the requirements of the AMCA Certified Ratings Program.



Type QMXDVP, QMXHPDVP, QMXVP and QMXHPVP are furnished standard with UL 705 and cUL 705 listings (Power Ventilator/ZACT).

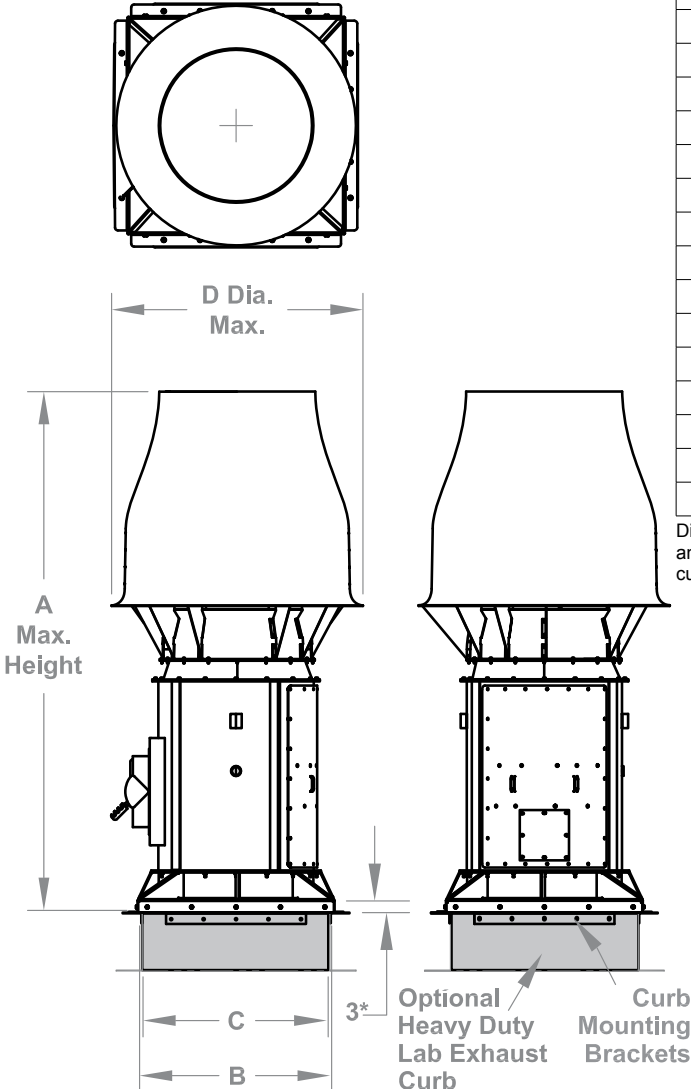


Direct Drive
(Dual access)

Belt Drive

Dimensions

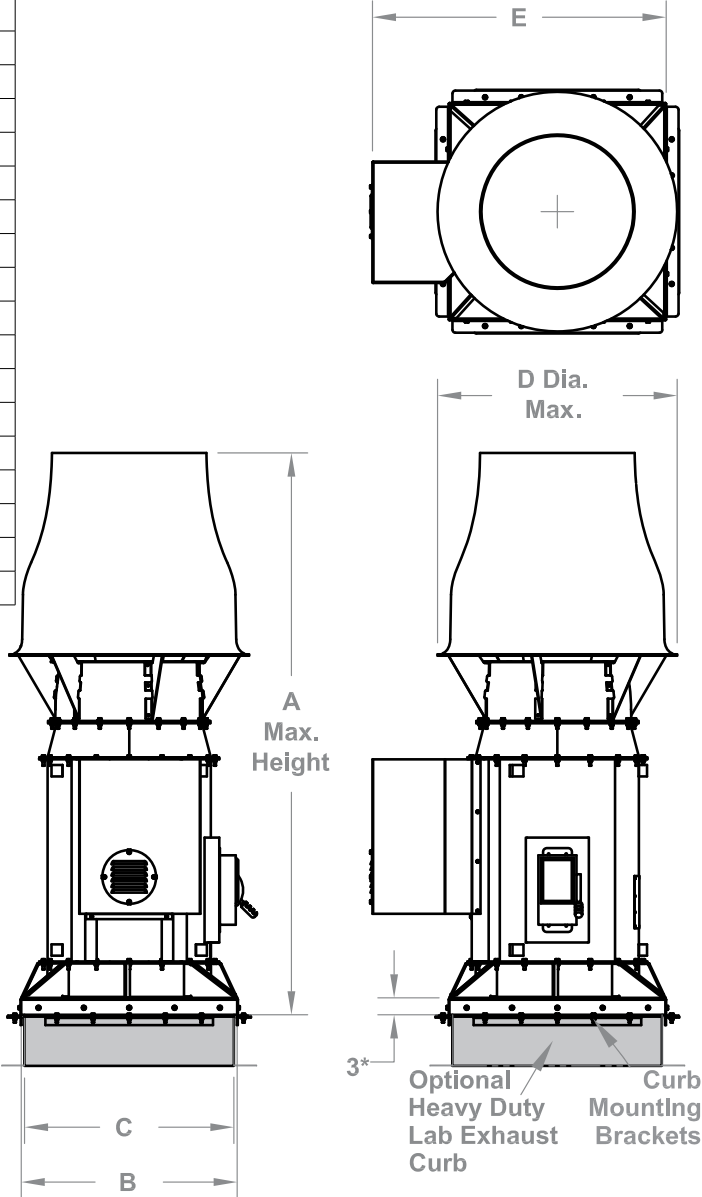
Direct Drive



Size	A	B Curb cap inside sq dimension	C Curb outside sq dimension	D	E	Approx. Weight	
						Belt	Direct
90	66	28	27 3/16	23	38	310	-
120	72	28	27 2/16	28	40 7/16	387	-
130	77	28	27 1/8	28	41 5/8	464	-
150	88	30	29 1/8	36	44 1/8	504	424
165	91	32	31 1/8	36	45 1/2	586	456
180	98	34	33 1/8	43	48	745	546
202	105	38	36 15/16	50	51 7/8	875	670
225	114	42	40 15/16	50	58	1033	774
245	122	44	42 15/16	61	60 5/8	1230	915
270	131	48	46 15/16	61	64 5/8	1377	1031
300	149	52	50 15/16	74	69 7/16	1862	1428
330	155	56	54 13/16	74	75 15/16	2177	1576
365	176	62	60 3/4	89	81 5/8	3294	2477
402	184	67	65 5/8	89	89 5/16	3781	2804
445	203	74	72 5/8	89	96 1/8	4320	3273
490	221	80	78 1/2	101	104 1/16	6798	4094
540	239	87	85 3/8	101	111 3/8	7467	4741
600	262	96	94 3/8	101	120 5/16	8692	5627

Dimensions are in inches. Weights are in pounds, based on max. nozzle size, and do not include accessories or motor. *Top of the curb to the bottom of the curb cap.

Belt Drive



QMXDVP 270-330 Air Performance

Model	Fan RPM	1.00" SP							2.00" SP							3.00" SP							4.00" SP						
		Fan Inlet CFM	Eff Plume Ht	Nozzle Vel	Windband Outlet		Fan BHP	LwA In/Out	Fan Inlet CFM	Eff Plume Ht	Nozzle Vel	Windband Outlet		Fan BHP	LwA In/Out	Fan Inlet CFM	Eff Plume Ht	Nozzle Vel	Windband Outlet		Fan BHP	LwA In/Out	Fan Inlet CFM	Eff Plume Ht	Nozzle Vel	Windband Outlet		Fan BHP	LwA In/Out
					Vel	CFM						Vel	CFM						Vel	CFM						Vel	CFM		
270QMXD11VP18L	1760	15708	54.0	6576	5702	22255	25.1	99/101	14519	50.6	6078	5258	20521	24.8	99/100	13133	46.5	5498	4709	18378	24.1	99/100	11398	41.3	4772	4033	15740	22.8	101/100
270QMXD11VP15L	1160	6201	32.2	4040	3379	9172	6.10	91/91																					
270QMXD11VP18H	1160	6678	31.7	4074	2765	10791	6.26	91/91																					
270QMXD11VP21H	1160	8583	34.9	4079	2808	14045	7.11	89/88																					
270QMXD11VP21L	1160	10807	37.1	3936	3062	15311	7.20	89/89																					
270QMXD11VP24H	1160	11688	38.4	3863	2733	19320	7.05	89/90																					
270QMXD11VP24L	1160	13109	38.3	3400	2720	19229	6.95	90/91																					
270QMXD17VP15L	1760	10799	48.1	7035	5876	15952	22.5	101/102	9757	44.4	6356	5297	14379	21.6	103/102	8589	40.8	5595	4723	12822	20.7	103/102	7219	34.1	4703	3666	9952	19.6	104/102
270QMXD17VP18H	1760	11607	47.8	7082	4887	19075	23.0	100/101	10517	43.9	6417	4375	17074	22.2	102/101	9238	39.2	5636	3753	14649	21.1	103/101	7620	35.2	4649	3227	12595	19.6	105/102
270QMXD17VP18L	1760	15708	54.0	6576	5702	22255	25.1	99/101	14519	50.6	6078	5258	20521	24.8	99/100	13133	46.5	5498	4709	18378	24.1	99/100	11398	41.3	4772	4033	15740	22.8	101/100
270QMXD17VP21H	1760	14559	52.3	6920	4837	24189	25.5	99/101	13403	48.6	6370	4404	22024	25.0	99/100	12053	44.1	5729	3883	19419	24.0	100/99	10148	39.7	4823	3372	16864	22.1	102/102
270QMXD17VP21L	1760	17968	54.9	6543	5138	25695	24.8	99/102	16796	51.8	6117	4774	23873	25.1	99/100	15396	48.0	5607	4337	21692	25.2	98/99	13792	44.1	5023	3877	19388	24.8	100/100
270QMXD17VP24H	1760	19374	57.3	6403	4578	32360	23.8	100/101	18138	54.0	5994	4256	30081	24.5	100/100	16749	50.1	5535	3876	27399	24.9	100/100	15213	45.7	5027	3447	24365	24.9	99/99
270QMXD17VP24L	1760	21556	56.5	5590	4506	31849	23.0	101/102	20297	53.6	5264	4224	29854	24.0	100/101	18893	50.2	4900	3885	27463	24.9	100/100	17317	46.5	4491	3522	24898	25.4	99/99
270QMXD17VP27H	1760	20591	54.7	5665	3935	33066	23.3	101/101	19361	51.3	5326	3628	30488	24.1	100/101	17928	47.9	4932	3332	27999	24.9	100/100	16340	45.0	4495	3070	25795	25.3	99/99
270QMXD17VP27L	1760	23317	53.5	4797	3827	32159	22.0	102/103	22041	51.1	4534	3615	30372	23.5	101/102	20646	48.0	4247	3339	28059	24.6	100/102	19040	44.6	3917	3032	25475	25.5	100/101
300QMXD11VP18H	1160	7131	34.4	4351	2957	11542	9.27	96/95																					
300QMXD11VP18L	1160	10548	40.2	4416	3716	14504	11.4	93/94																					
300QMXD11VP21H	1160	9162	38.2	4355	3000	15005	10.0	96/95																					
300QMXD11VP18H	1160	7131	34.4	3345	2930	11542	9.27	96/95																					
300QMXD11VP18L	1160	10548	40.2	4416	3682	14504	11.4	93/94																					
300QMXD11VP21H	1160	9162	38.2	4355	3000	15005	10.0	96/95																					
300QMXD11VP21L	1160	12924	43.7	4706	3644	18225	12.4	91/93	8870	34.1	3230	2525	12630	9.82	93/95														
300QMXD11VP24H	1160	14558	45.9	4811	3342	23623	12.8	92/93	11481	37.9	3794	2559	18089	11.9	94/94														
300QMXD11VP24L	1160	16772	47.0	4350	3453	24410	12.5	92/94	13930	40.0	3613	2768	19564	12.6	91/93														
300QMXD11VP27H	1160	15693	46.3	4317	3038	25526	12.5	91/93																					
300QMXD11VP27L	1160	18582	46.2	3823	3029	25450	12.1	92/94	15856	40.6	3262	2529	21253	12.8	91/93														
300QMXD11VP30H	1160	18499	47.3	4097	2737	30226	12.6	92/96																					
300QMXD11VP30L	1116	20197	45.8	3480	2621	28948	11.7	93/96																					
330QMXD11VP24H	1160	16987	53.0	5614	3932	27797	20.5	94/97	14188	45.8	4689	3236	22876	19.0	96/96														
330QMXD11VP24L	1160	20207	55.6	5240	4195	29652	21.0	94/97	17475	49.2	4532	3562	25181	20.6	94/96	12920	39.1	3351	2573	18191	18.0	97/97							
330QMXD11VP27H	1160	18907	53.3	5201	3620	30418	20.8	94/96	16030	47.5	4410	3102	26065	19.7	94/95														
330QMXD11VP27L	1160	23136	55.3	4760	3796	31897	20.5	94/97	20542	50.5	4226	3367	28289	20.9	94/95	16832	42.7	3463	2665	22391	20.4	95/95							
330QMXD11VP30H	1160	23032	56.3	5101	3400	37550	21.3	94/97	20408	50.6	4520	2955	32642	21.5	94/96														
330QMXD11VP30L	1160	26012	56.3	4482	3400	37556	19.8	95/98	23252	51.8	4006	3047	33654	20.9	94/96	19788	45.0	3409	2514	27769	21.3	97/96							

Performance certified is for installation Type A: free inlet, free outlet. Performance ratings do not include the effects of appurtenances (accessories). Performance ratings do not include the effects of cross winds. The A-weighted sound ratings shown have been calculated per AMCA Standard 301. Values shown are for inlet L_{wA} and outlet L_{wo} A sound power levels for installation Type A: free inlet, free outlet. Ratings do not include the effects of duct end correction. Effective Plume Height referenced from base of unit and calculated using Equation 7 from 2007 ASHRAE Application Handbook, Chapter 44, with a 10 MPH wind.

QMXHPDVP 270-365 Air Performance

Model	Fan RPM	1.00" SP							2.00" SP							3.00" SP							4.00" SP						
		Fan Inlet CFM	Eff Plume Ht	Nozzle Vel	Windband Outlet		Fan BHP	LwA In/Out	Fan Inlet CFM	Eff Plume Ht	Nozzle Vel	Windband Outlet		Fan BHP	LwA In/Out	Fan Inlet CFM	Eff Plume Ht	Nozzle Vel	Windband Outlet		Fan BHP	LwA In/Out	Fan Inlet CFM	Eff Plume Ht	Nozzle Vel	Windband Outlet		Fan BHP	LwA In/Out
					Vel	CFM						Vel	CFM						Vel	CFM						Vel	CFM		
270QMXHPD17VP15L	1760	11140	48.9	7257	6002	16292	20.9	96/100	10298	46.0	6709	5541	15043	20.4	97/99	9427	43.0	6141	5071	13767	19.9	97/99	8446	39.8	5502	4572	12413	19.2	97/98
270QMXHPD11VP15L	1160	6617	33.4	4311	3559	9660	5.81	87/88	5093	28.3	3318	2758	7488	5.28	88/88														
270QMXHPD17VP18H	1760	11786	49.4	7191	5090	19866	21.0	96/100	10917	46.3	6661	4682	18271	20.7	96/99	10002	42.9	6103	4244	16565	20.3	96/98	8973	39.6	5475	3806	14855	19.6	97/98
270QMXHPD11VP18H	1160	7016	33.5	4281	3000	11709	5.91	85/88																					
270QMXHPD17VP18L	1760	14944	51.3	6256	5342	20848	21.2	97/100	13937	48.4	5835	4959	19356	21.3	96/99	12850	45.1	5380	4534	17695	21.2	96/99	11654	41.6	4879	4073	15894	20.9	96/98
270QMXHPD11VP18L	1160	8976	34.9	3758	3186	12435	6.10	85/88																					
270QMXHPD17VP21H	1760	14095	51.3	6699	4713	23571	21.7	97/99	13183	48.6	6266	4398	21994	21.7	97/98	12170	45.5	5784	4038	20193	21.6	96/98	11080	41.6	5266	3591	17956	21.3	97/97
270QMXHPD11VP21H	1160	8494	35.1	4037	2832	14163	6.22	87/87																					
270QMXHPD17VP21L	1760	16639	51.3	6059	4714	23577	20.4	98/99	15603	48.5	5682	4394	21977	20.9	97/99	14474	45.3	5271	4022	20113	21.3	97/98	13360	42.7	4865	3719	18601	21.4	97/98
270QMXHPD11VP21L	1160	10061	35.0	3664	2820	14105	6.02	87/88																					
270QMXHPD17VP24H	1760	17658	52.1	5835	4074	28799	19.3	98/99	16520	49.3	5459	3803	26880	20.0	97/99	15327	46.3	5065	3502	24757	20.6	97/98	14039	43.0	4639	3186	22523	21.0	96/98
270QMXHPD17VP24L	1760	18905	50.6	4903	3925	27745	17.7	98/99	17846	48.1	4628	3685	26050	18.9	98/99	16674	45.1	4324	3391	23971	19.7	97/98	15343	41.6	3979	3043	21508	20.4	96/98
270QMXHPD17VP27H	1760	18491	50.7	5087	3581	30092	18.7	98/99	17473	48.3	4807	3360	28235	19.8	98/98	16268	45.1	4475	3075	25836	20.6	98/98	14905	42.2	4100	2815	23654	21.2	97/98
270QMXHPD17VP27L	1760	20160	47.9	4147	3329	27969	17.5	99/100	19108	46.0	3931	3159	26541	18.9	98/99	17970	43.6	3697	2942	24720	19.9	98/99	16641	40.5	3423	2663	22378	20.8	97/98
300QMXHPD11VP18H	1160	7839	38.3	4783	3467	13530	9.29	91/92																					
300QMXHPD11VP18L	1160	10694	41.4	4477	3881	15146	10.4	89/92	8533	35.4	3572	3092	12066	9.71	90/91														
300QMXHPD11VP21H	1160	10040	40.6	4772	3280	16404	10.1	89/93	8121	34.9	3860	2613	13068	9.18	91/93														
300QMXHPD11VP21L	1160	12687	42.5	4620	3496	17482	10.6	89/93	10603	36.8	3861	2839	14200	10.3	89/92														
300QMXHPD11VP24H	1160	13621	43.9	4501	3149	22258	10.5	89/91	11466	38.2	3789	2593	18327	10.5	89/90														
300QMXHPD11VP24L	1160	15220	44.2	3947	3177	22460	10.2	89/91	12946	38.9	3357	2662	18816	10.5	89/90														
300QMXHPD11VP27H	1160	14323	43.6	3940	2795	23481	10.0	89/93																					
300QMXHPD11VP27L	1160	16340	43.0	3361	2736	22991	9.49	90/93																					
300QMXHPD11VP30H	1180*	16640	44.3	3685	2500	27615	10.4	90/92																					
300QMXHPD11VP30L	1245*	19455	44.3	3352	2500	27611	11.6	92/94																					
330QMXHPD11VP24H	1160	16398	51.8	5419	3815	26965	17.0	92/95	14462	46.3	4779	3281	23190	16.8	91/93	12169	40.7	4021	2731	19305	16.2	92/93							
330QMXHPD11VP24L	1160	18650	52.5	4837	3885	27459	16.5	91/94	16508	47.4	4281	3388	23948	16.8	91/93	13958	41.4	3620	2799	19785	16.5	92/93							
330QMXHPD11VP27H	1160	17678	50.8	4863	3390	28481	16.6	91/94	15652	46.2	4306	2982	25056	16.8	91/93														
330QMXHPD11VP27L	1160	20640	51.2	4246	3427	28795	15.8	92/94	18330	46.8	3771	3032	25480	16.5	91/93	15616	41.4	3213	2552	21447	16.7	91/93							
330QMXHPD11VP30H	1160	20407	52.3	4520	3086	34089	16.0	94/94	18188	47.6	4028	2717	30011	16.8	95/93														
330QMXHPD11VP30L	1160	22826	50.5	3933	2945	32532	15.3	93/94	20476	46.6	3528	2638	29131	16.6	92/93														
365QMXHPD11VP27H	1180	23047	59.0	6340	3975	33398	28.5	93/98	21049	55.2	5791	3631	30507	28.4	93/97	18724	50.1	5151	3173	26658	28.0	94/96	16164	44.5	4447	2671	22444	27.0	95/96
365QMXHPD08VP27L	860	15526	44.6	4271	2680	22519	11.0	87/89																					
365QMXHPD11VP27H	1180	26733	59.8	5499	4042	33963	27.3	94/98	24555	55.6	5051	3666	30807	27.9	93/96	22061	51.0	4538	3258	27376	28.2	94/96	19170	46.2	3944	2824	23727	27.9	94/95
365QMXHPD08VP27L	860	18094	44.9	3722	2709	22765	10.8	87/89																					
365QMXHPD11VP30H	1180	26885	60.8	5955	3655	40369	28.1	94/97	24702	57.0	5471	3360	37115	28.7	94/96	22143	51.7	4904	2947	32544	28.7	94/95							
365QMXHPD11VP30L	1180	29459	59.6	5076	3559	39309	26.0	95/97	27088	55.9	4667	3269	36109	27.4	94/96	24483	51.2	4218	2904	32073	28.2	94/95							
365QMXHPD11VP36H	1180	30590	62.8	4474	2798	50450	27.5	95/96	28260	58.2	4133	2534	45690	28.9	94/95														
365QMXHPD11VP36L	1180	33304	59.4	3732	2605	46974	25.1	96/97																					

Performance certified is for installation Type A: free inlet, free outlet. Performance ratings do not include the effects of appurtenances (accessories). Performance ratings do not include the effects of cross winds. The A-weighted sound ratings shown have been calculated per AMCA Standard 301. Values shown are for inlet L_{WA} and outlet L_{WA} sound power levels for installation Type A: free inlet, free outlet. Ratings do not include the effects of duct end correction. Effective Plume Height referenced from base of unit and calculated using Equation 7 from 2007 ASHRAE Application Handbook, Chapter 44, with a 10 MPH wind. *RPM shown requires use of VFD.

QMXHPDVP 402-600 Air Performance

Model	Fan RPM	1.00" SP							2.00" SP							3.00" SP							4.00" SP						
		Fan Inlet CFM	Eff Plume Ht	Nozzle Vel	Windband Outlet		Fan BHP	LwA In/Out	Fan Inlet CFM	Eff Plume Ht	Nozzle Vel	Windband Outlet		Fan BHP	LwA In/Out	Fan Inlet CFM	Eff Plume Ht	Nozzle Vel	Windband Outlet		Fan BHP	LwA In/Out	Fan Inlet CFM	Eff Plume Ht	Nozzle Vel	Windband Outlet		Fan BHP	LwA In/Out
					Vel	CFM						Vel	CFM						Vel	CFM						Vel	CFM		
402QMXHPD11VP27H	1180	25026	67.5	6885	4676	39294	44.1	97/103	23116	63.3	6359	4294	36081	43.3	98/101	21061	58.4	5794	3855	32392	42.2	98/100	18472	52.6	5082	3342	28081	40.3	99/99
402QMXHPD08VP27H	880	17532	51.8	4823	3268	27462	18.0	92/93	14633	45.0	4026	2659	22344	17.1	91/92														
402QMXHPD11VP27L	1180	31276	71.3	6434	5011	42106	46.4	97/102	29137	67.5	5994	4674	39270	46.3	97/101	26694	63.0	5491	4266	35847	45.7	97/100	23919	57.4	4921	3773	31701	44.6	98/99
402QMXHPD08VP27L	880	22056	54.8	4537	3539	29737	19.2	92/93	18651	48.4	3837	2966	24919	18.7	91/91														
402QMXHPD11VP30H	1180	31224	72.5	6916	4476	49433	46.7	97/102	29065	68.5	6437	4164	45991	46.6	97/101	26674	63.9	5908	3805	42023	46.0	97/99	23919	58.1	5298	3351	37006	44.9	98/99
402QMXHPD08VP30H	880	22008	55.6	4874	3154	34834	19.3	92/93	18697	49.1	4141	2645	29215	18.8	91/91														
402QMXHPD11VP30L	1180	35917	72.3	6188	4460	49263	44.6	97/102	33560	68.2	5782	4138	45700	45.6	97/100	30982	63.8	5338	3795	41912	46.3	97/99	27845	59.1	4798	3430	37882	45.9	97/98
402QMXHPD08VP30L	880	25385	55.4	4374	3138	34662	18.8	92/93	21759	49.5	3749	2680	29601	19.1	91/91														
402QMXHPD11VP36H	1180	39594	78.1	5791	3649	65811	49.8	97/100	37102	74.5	5427	3437	61984	50.8	97/99	34541	68.8	5052	3109	56068	51.8	97/98	31654	62.7	4630	2753	49649	51.9	97/98
402QMXHPD08VP36H	880	28044	60.1	4102	2600	46890	21.0	91/91																					
402QMXHPD11VP36L	1180	44471	77.0	4983	3581	64568	44.7	99/100	41835	73.6	4688	3386	61054	47.1	98/100	38988	69.2	4369	3129	56422	49.0	97/99	35765	64.6	4008	2861	51595	50.2	97/98
402QMXHPD08VP36L	880	31604	59.3	3541	2557	46115	19.4	92/92																					
445QMXHPD08VP30H	880	28894	65.2	6400	3775	41691	33.6	96/98	25603	60.2	5671	3391	37455	33.0	96/96	21817	53.0	4832	2823	31182	31.6	96/95							
445QMXHPD06VP30H	690	21092	52.5	4672	2782	30727	16.0	91/90																					
445QMXHPD08VP30L	880	33157	66.0	5713	3837	42380	33.5	95/98	29668	61.0	5112	3449	38088	33.5	95/96	25353	54.7	4368	2960	32694	32.7	96/95							
445QMXHPD06VP30L	690	24344	52.9	4194	2815	31094	16.2	91/90																					
445QMXHPD08VP36H	880	33344	69.9	4877	3084	55605	29.9	92/94	29791	64.2	4357	2751	49602	30.4	92/93														
445QMXHPD08VP36L	880	38411	68.6	4304	3009	54257	28.1	94/95	34649	62.9	3883	2674	48227	29.6	93/94														
490QMXHPD08VP36H	880	41564	84.8	6079	3852	69457	53.5	96/98	38134	79.2	5578	3525	63557	53.4	96/97	34300	72.0	5017	3108	56041	52.7	96/97	30084	65.0	4400	2706	48793	51.2	96/97
490QMXHPD06VP36H	690	30948	67.8	4527	2863	51633	25.8	91/91																					
490QMXHPD08VP36L	880	49093	84.9	5501	3856	69544	50.5	97/99	45193	78.8	5064	3506	63225	51.9	96/98	41133	73.0	4609	3169	57155	52.6	96/97	36522	67.1	4093	2824	50921	52.5	96/97
490QMXHPD06VP36L	690	36628	67.7	4104	2862	51607	24.8	91/91																					
490QMXHPD08VP49H	880	54645	81.8	4564	2858	88854	46.7	97/98	50752	76.4	4239	2619	81427	49.6	97/98														
490QMXHPD08VP49L	880	59595	77.4	3722	2661	82732	43.8	98/100																					
540QMXHPD08VP36H	880	47548	94.4	6955	4322	77935	84.8	100/104	43907	88.4	6422	3975	71679	82.9	100/104	39441	80.5	5769	3520	63472	79.4	101/103							
540QMXHPD06VP36H	690	35516	75.4	5195	3222	58109	40.4	97/97	29910	65.8	4375	2663	48020	37.7	97/97														
540QMXHPD08VP36L	880	59771	98.9	6698	4584	82659	87.6	99/104	55535	92.9	6223	4238	76427	87.5	99/103	50850	85.8	5698	3827	69008	86.6	99/103	45222	77.4	5067	3336	60152	84.2	101/103
540QMXHPD06VP36L	690	44815	79.0	5022	3431	61864	42.3	97/97	38854	70.1	4354	2912	52514	41.5	96/96														
540QMXHPD08VP49H	880	67307	99.2	5622	3548	110304	81.0	100/103	62735	93.7	5240	3304	102715	83.1	99/103	57712	86.6	4820	2988	92896	84.4	99/103	51965	79.1	4340	2656	82588	84.8	99/103
540QMXHPD06VP49H	690	50553	79.4	4222	2669	82984	39.8	97/96																					
540QMXHPD08VP49L	880	76380	96.7	4771	3439	106924	74.4	100/104	71627	92.3	4474	3242	100784	78.7	100/103	66352	86.5	4144	2982	92718	82.0	100/103	60118	79.2	3755	2657	82599	84.2	100/103
540QMXHPD06VP49L	690	57584	78.0	3597	2604	80970	37.4	97/97																					
600QMXHPD06VP49H	690	64187	96.6	5361	3326	103391	69.3	96/99	58178	89.4	4859	3006	93468	70.1	95/98	51258	80.5	4281	2611	81184	69.6	96/97							
600QMXHPD06VP49L	690	74866	97.3	4676	3355	104322	65.2	98/98	68071	90.5	4252	3056	95015	68.1	98/98	60318	81.8	3768	2665	82866	90.1	97/97							

Performance certified is for installation Type A: free inlet, free outlet. Performance ratings do not include the effects of appurtenances (accessories). Performance ratings do not include the effects of cross winds. The A-weighted sound ratings shown have been calculated per AMCA Standard 301. Values shown are for inlet L_{WA} and outlet L_{WA} sound power levels for installation Type A: free inlet, free outlet. Ratings do not include the effects of duct end correction. Effective Plume Height referenced from base of unit and calculated using Equation 7 from 2007 ASHRAE Application Handbook, Chapter 44, with a 10 MPH wind.

QMXVP 90-120 Air Performance

Model	Fan Inlet CFM	Eff Plume Ht	Nozzle Vel	1.00" SP					2.00" SP					3.00" SP					4.00" SP											
				Windband Outlet		Fan RPM	Fan BHP	LwA In/Out	Eff Plume Ht	Nozzle Vel	Windband Outlet		Fan RPM	Fan BHP	LwA In/Out	Eff Plume Ht	Nozzle Vel	Windband Outlet		Fan RPM	Fan BHP	LwA In/Out	Eff Plume Ht	Nozzle Vel	Windband Outlet		Fan RPM	Fan BHP	LwA In/Out	
				Vel	CFM						Vel	CFM						Vel	CFM						Vel	CFM				Vel
90QMXVP09H	1500	15.3	4673	2641	2506	4080	1.20	88/87	15.2	4673	2601	2468	4484	1.58	88/89	15.3	4673	2647	2512	4878	1.99	90/91	15.4	4673	2664	2528	5254	2.44	93/93	
	1640	16.3	5109	2906	2758	4388	1.49	88/89	16.1	5109	2841	2695	4758	1.90	90/91	16.2	5109	2867	2720	5123	2.33	91/93	16.3	5109	2910	2761	5478	2.80	93/94	
	1780	17.3	5545	3168	3006	4699	1.83	90/91	17.0	5545	3093	2935	5043	2.27	91/92	17.0	5545	3092	2934	5383	2.73	93/94								
	1920	18.3	5981	3429	3253	5016	2.22	92/92	18.0	5981	3354	3182	5337	2.69	93/94															
	2060	19.2	6417	3688	3499	5336	2.67	93/94																						
90QMXVP09L	1900	15.6	3987	2704	2566	4318	1.25	89/91	15.5	3987	2681	2544	4668	1.70	90/92	15.4	3987	2665	2529	5010	2.18	92/94	15.3	3987	2641	2506	5331	2.64	93/95	
	2020	16.2	4238	2880	2733	4549	1.45	91/92	16.1	4238	2854	2708	4878	1.92	92/94	16.1	4238	2841	2696	5204	2.42	93/95								
	2140	16.9	4490	3056	2900	4782	1.67	92/94	16.8	4490	3027	2872	5091	2.15	93/95	16.7	4490	3015	2861	5402	2.68	94/96								
	2260	17.5	4742	3233	3068	5017	1.91	94/95	17.4	4742	3201	3037	5308	2.40	94/96															
	2380	18.2	4994	3409	3235	5254	2.18	95/96																						

Model	Fan Inlet CFM	Eff Plume Ht	Nozzle Vel	1.00" SP					2.00" SP					3.00" SP					4.00" SP											
				Windband Outlet		Fan RPM	Fan BHP	LwA In/Out	Eff Plume Ht	Nozzle Vel	Windband Outlet		Fan RPM	Fan BHP	LwA In/Out	Eff Plume Ht	Nozzle Vel	Windband Outlet		Fan RPM	Fan BHP	LwA In/Out	Eff Plume Ht	Nozzle Vel	Windband Outlet		Fan RPM	Fan BHP	LwA In/Out	
				Vel	CFM						Vel	CFM						Vel	CFM						Vel	CFM				Vel
120QMXVP09H	1500	15.8	4673	2621	2487	2809	1.58	88/87	15.6	4673	2587	2455	3256	2.29	100/91															
	1760	17.4	5483	3065	2908	3120	2.22	90/89	17.5	5483	3088	2930	3549	3.08	98/93	17.0	5483	2964	2812	3907	3.92	106/96								
	2020	19.1	6293	3524	3344	3456	3.07	92/92	19.2	6293	3535	3354	3854	4.05	96/95	19.2	6293	3540	3359	4190	4.99	104/97								
	2280	20.9	7103	3993	3789	3811	4.17	94/94	20.8	7103	3974	3771	4158	5.19	97/96															
	2540	22.7	7913	4468	4240	4180	5.55	96/97																						
120QMXVP09L	1900	15.7	3987	2611	2478	2498	1.31	82/84	15.5	3987	2560	2430	2880	1.92	88/88	15.4	3987	2525	2396	3262	2.64	92/91								
	2340	18.1	4910	3250	3084	2908	2.07	86/88	17.9	4910	3189	3026	3228	2.80	89/90	17.8	4910	3155	2993	3536	3.56	93/93	17.6	4910	3126	2966	3847	4.42	96/95	
	2780	20.5	5833	3886	3688	3337	3.13	89/92	20.3	5833	3827	3632	3617	3.99	91/93	20.1	5833	3782	3589	3881	4.85	94/95	20.0	5833	3751	3559	4140	5.75	96/97	
	3220	22.9	6756	4520	4289	3777	4.53	92/95	22.7	6756	4468	4239	4028	5.51	94/96															
	3660	25.2	7679	5152	4889	4226	6.36	95/98																						
120QMXVP12H	2500	19.6	4202	2689	4751	3019	2.34	87/89	19.7	4202	2699	4769	3330	3.11	89/91	19.5	4202	2668	4714	3628	3.94	93/93	19.1	4202	2574	4549	3912	4.81	96/95	
	2790	21.2	4689	3003	5307	3299	3.04	89/92	21.3	4689	3009	5317	3582	3.89	91/93	21.3	4689	3006	5312	3854	4.79	93/95	21.0	4689	2960	5231	4117	5.73	96/96	
	3080	22.9	5176	3318	5863	3583	3.89	91/94	22.9	5176	3317	5861	3844	4.82	92/95	22.9	5176	3324	5875	4094	5.79	94/96								
	3370	24.5	5664	3636	6426	3871	4.90	93/96	24.4	5664	3627	6409	4114	5.91	94/97															
	3660	26.1	6151	3956	6991	4162	6.08	95/99																						
120QMXVP12L	3300	20.0	3525	2761	4878	3115	2.32	89/92	19.8	3525	2721	4808	3392	3.12	90/93	19.6	3525	2686	4746	3645	4.02	91/95	19.4	3525	2642	4669	3879	4.97	93/96	
	3630	21.5	3878	3053	5395	3376	2.92	91/94	21.2	3878	3003	5306	3626	3.77	92/95	21.1	3878	2977	5260	3869	4.72	93/96	20.9	3878	2940	5195	4089	5.74	94/97	
	3960	23.0	4230	3346	5913	3642	3.63	93/96	22.7	4230	3287	5808	3867	4.53	94/97	22.6	4230	3261	5763	4097	5.52	94/98								
	4290	24.5	4583	3640	6432	3911	4.45	95/98	24.2	4583	3574	6316	4115	5.41	95/99															
	4620	26.0	4935	3933	6949	4182	5.41	96/100																						

Performance certified is for installation Type A: free inlet, free outlet. Power rating (BHP) does not include transmission losses. Performance ratings do not include the effects of appurtenances (accessories). Performance ratings do not include the effects of cross winds. The A-weighted sound ratings shown have been calculated per AMCA Standard 301. Values shown are for inlet L_{wA} and outlet L_{wA} sound power levels for installation Type A: free inlet, free outlet. Ratings do not include the effects of duct end correction. Effective Plume Height referenced from base of unit and calculated using Equation 7 from 2007 ASHRAE Application Handbook, Chapter 44, with a 10 MPH wind.

QMXVP 135 Air Performance

Model	Fan Inlet CFM	Eff Plume Ht	Nozzle Vel	1.00" SP					2.00" SP					3.00" SP					4.00" SP										
				Windband Outlet		Fan RPM	Fan BHP	LwA In/Out	Eff Plume Ht	Nozzle Vel	Windband Outlet		Fan RPM	Fan BHP	LwA In/Out	Eff Plume Ht	Nozzle Vel	Windband Outlet		Fan RPM	Fan BHP	LwA In/Out	Eff Plume Ht	Nozzle Vel	Windband Outlet		Fan RPM	Fan BHP	LwA In/Out
				Vel	CFM						Vel	CFM						Vel	CFM						Vel	CFM			
135QMXVP09H	1500	16.2	4673	2609	2476	2636	2.05	93/91	16.3	4673	2653	2517	2937	2.85	95/94	16.3	4673	2648	2513	3165	3.63	97/95	16.3	4673	2648	2512	3381	4.47	99/97
	1770	17.8	5514	3048	2893	2963	2.96	96/94	18.1	5514	3113	2954	3286	3.96	99/96	18.1	5514	3131	2971	3509	4.88	100/98	18.1	5514	3127	2967	3702	5.80	101/99
	2040	19.5	6355	3505	3326	3280	4.10	98/96	19.7	6355	3558	3377	3627	5.33	102/99	19.9	6355	3598	3414	3860	6.43	103/101	19.9	6355	3608	3424	4048	7.49	104/102
	2310	21.3	7196	3987	3783	3600	5.54	101/99	21.4	7196	3996	3792	3958	6.98	104/102														
	2580	23.1	8037	4472	4243	3931	7.32	103/101																					
135QMXVP09L	1800	15.9	3777	2529	2400	2126	1.34	85/86																					
	2270	18.3	4763	3190	3027	2442	2.15	87/88	18.2	4763	3163	3001	2838	3.09	93/93														
	2740	20.8	5749	3849	3652	2797	3.32	90/92	20.8	5749	3857	3660	3131	4.37	94/95	20.7	5749	3809	3615	3452	5.55	98/98	20.3	5749	3710	3521	3755	6.84	102/100
	3210	23.3	6735	4520	4289	3174	4.93	93/95	23.3	6735	4512	4281	3454	6.08	96/97	23.3	6735	4516	4286	3741	7.36	99/100							
135QMXVP12H	3680	25.9	7721	5195	4929	3562	7.00	96/98																					
	2400	19.0	4034	2549	4504	2451	2.21	87/88																					
	2770	21.3	4655	2983	5272	2729	3.10	89/91	20.6	4655	2847	5031	3041	4.09	92/94	20.3	4655	2797	4942	3369	5.24	97/97							
	3140	23.4	5277	3399	6006	3019	4.23	91/94	22.8	5277	3295	5822	3286	5.28	94/95	22.3	5277	3198	5651	3572	6.50	97/98							
	3510	25.4	5899	3800	6716	3312	5.61	94/96	25.1	5899	3745	6619	3553	6.77	96/97														
135QMXVP12L	3880	27.5	6521	4200	7422	3612	7.29	96/98																					
	3200	19.5	3418	2640	4665	2379	2.05	86/88	19.3	3418	2597	4589	2674	2.97	89/90	18.9	3418	2531	4473	2937	3.94	93/92	18.9	3418	2531	4472	3206	5.03	97/95
	3750	21.8	4006	3093	5466	2686	2.91	89/91	21.8	4006	3087	5455	2955	3.98	90/93	21.5	4006	3024	5344	3191	5.06	94/94	21.2	4006	2971	5250	3415	6.20	97/96
	4300	24.1	4594	3549	6272	3007	4.02	92/94	24.1	4594	3548	6270	3244	5.22	93/95	24.0	4594	3525	6230	3468	6.46	95/97							
	4850	26.5	5181	4007	7081	3337	5.43	95/96	26.4	5181	4000	7068	3542	6.73	96/98														
5400	28.8	5769	4467	7893	3673	7.18	97/99																						

Performance certified is for installation Type A: free inlet, free outlet. Power rating (BHP) does not include transmission losses. Performance ratings do not include the effects of appurtenances (accessories). Performance ratings do not include the effects of cross winds. The A-weighted sound ratings shown have been calculated per AMCA Standard 301. Values shown are for inlet L_{wA} and outlet L_{wO} sound power levels for installation Type A: free inlet, free outlet. Ratings do not include the effects of duct end correction. Effective Plume Height referenced from base of unit and calculated using Equation 7 from 2007 ASHRAE Application Handbook, Chapter 44, with a 10 MPH wind.

QMXVP 150 Air Performance

Model	Fan Inlet CFM	Eff Plume Ht	Nozzle Vel	1.00" SP					2.00" SP					3.00" SP					4.00" SP										
				Windband Outlet		Fan RPM	Fan BHP	LwA In/Out	Eff Plume Ht	Nozzle Vel	Windband Outlet		Fan RPM	Fan BHP	LwA In/Out	Eff Plume Ht	Nozzle Vel	Windband Outlet		Fan RPM	Fan BHP	LwA In/Out	Eff Plume Ht	Nozzle Vel	Windband Outlet		Fan RPM	Fan BHP	LwA In/Out
				Vel	CFM						Vel	CFM						Vel	CFM						Vel	CFM			
150QMXVP09H	1800	18.3	5607	3031	2876	2416	2.72	84/90																					
	1970	19.3	6137	3315	3146	2571	3.33	85/92																					
	2140	20.4	6667	3603	3419	2736	4.04	85/94																					
	2310	21.5	7196	3891	3693	2907	4.88	86/95																					
	2480	22.6	7726	4180	3966	3080	5.83	87/97																					
150QMXVP09L	2100	16.9	4406	2675	2539	1999	1.78	85/84	17.0	4406	2703	2565	2365	2.75	92/90														
	2510	18.9	5266	3191	3028	2245	2.60	87/87	18.9	5266	3214	3050	2573	3.68	93/92	19.0	5266	3232	3067	2867	4.87	97/95							
	2920	20.8	6127	3719	3529	2509	3.68	90/91	20.8	6127	3722	3532	2799	4.89	93/93	20.9	6127	3745	3553	3070	6.19	97/96							
	3330	22.9	6987	4260	4042	2787	5.10	92/94	22.8	6987	4234	4018	3040	6.39	95/95														
	3740	24.9	7847	4807	4562	3072	6.89	94/96																					
150QMXVP12H	2300	19.5	3866	2550	4507	2070	2.06	86/85	19.6	3866	2566	4535	2421	3.06	103/91	19.9	3866	2618	4625	2736	4.20	111/95							
	2680	21.7	4504	2975	5257	2303	2.88	88/89	21.7	4504	2965	5239	2608	3.96	99/92	21.9	4504	3010	5319	2902	5.20	113/96							
	3060	23.9	5143	3400	6009	2550	3.96	90/92	23.8	5143	3391	5991	2815	5.12	95/94	23.8	5143	3391	5992	3082	6.43	108/97							
	3440	26.1	5782	3826	6761	2805	5.31	93/95	26.0	5782	3816	6744	3040	6.56	95/96														
	3820	28.2	6420	4251	7512	3065	6.97	94/97																					
150QMXVP12L	3000	19.6	3205	2563	4530	1919	1.76	83/83	20.0	3205	2646	4676	2206	2.65	87/87	20.4	3205	2713	4794	2487	3.54	91/91	20.8	3205	2789	4928	2773	4.76	96/95
	3620	22.3	3867	3091	5462	2194	2.65	87/87	22.5	3867	3121	5515	2450	3.67	89/89	22.9	3867	3200	5655	2682	4.74	92/92	23.2	3867	3257	5756	2914	5.79	95/95
	4240	25.1	4529	3628	6411	2484	3.84	90/91	25.0	4529	3623	6402	2712	4.97	92/92	25.3	4529	3672	6489	2921	6.22	94/94							
	4860	27.8	5192	4165	7360	2784	5.38	93/94	27.7	5192	4149	7332	2986	6.66	94/95														
	5480	30.5	5854	4702	8309	3091	7.32	96/97																					
150QMXVP15H	4000	23.4	3645	2564	6960	2161	2.44	87/88	23.2	3645	2530	6868	2393	3.41	89/90	23.3	3645	2535	6883	2623	4.52	90/93	23.4	3645	2555	6936	2843	5.71	92/95
	4530	25.6	4128	2914	7910	2388	3.25	89/91	25.4	4128	2877	7811	2595	4.30	91/93	25.3	4128	2864	7775	2799	5.48	92/95	25.4	4128	2873	7800	3000	6.76	94/96
	5060	27.8	4611	3258	8843	2618	4.24	92/94	27.7	4611	3230	8769	2808	5.40	93/95	27.5	4611	3202	8693	2991	6.64	94/96							
	5590	30.0	5094	3601	9775	2852	5.42	94/97	29.9	5094	3582	9725	3028	6.71	95/97														
	6120	32.2	5577	3943	10704	3089	6.84	96/99																					
150QMXVP15L	4700	23.6	3062	2588	7026	2260	2.52	89/91	23.7	3062	2613	7093	2486	3.53	92/92	23.6	3062	2585	7016	2678	4.59	92/94	23.3	3062	2551	6924	2864	5.75	93/95
	5210	25.4	3394	2874	7801	2462	3.18	92/93	25.5	3394	2886	7833	2664	4.28	94/95	25.5	3394	2893	7852	2854	5.43	95/96	25.2	3394	2850	7736	3020	6.64	95/96
	5720	27.2	3726	3162	8583	2668	3.97	94/96	27.2	3726	3156	8567	2847	5.16	96/97	27.3	3726	3180	8634	3032	6.40	97/97							
	6230	29.0	4059	3450	9364	2877	4.90	96/98	28.9	4059	3432	9318	3037	6.18	97/98														
	6740	30.9	4391	3739	10149	3088	5.99	97/99																					

Performance certified is for installation Type A: free inlet, free outlet. Power rating (BHP) does not include transmission losses. Performance ratings do not include the effects of appurtenances (accessories). Performance ratings do not include the effects of cross winds. The A-weighted sound ratings shown have been calculated per AMCA Standard 301. Values shown are for inlet L_{WA} and outlet L_{WA} sound power levels for installation Type A: free inlet, free outlet. Ratings do not include the effects of duct end correction. Effective Plume Height referenced from base of unit and calculated using Equation 7 from 2007 ASHRAE Application Handbook, Chapter 44, with a 10 MPH wind.

QMXVP 165 Air Performance

Model	Fan Inlet CFM	1.00" SP							2.00" SP							4.00" SP							6.00" SP												
		Eff Plume Ht	Nozzle Vel	Windband Outlet		Fan RPM	Fan BHP	LwA In/Out	Eff Plume Ht	Nozzle Vel	Windband Outlet		Fan RPM	Fan BHP	LwA In/Out	Eff Plume Ht	Nozzle Vel	Windband Outlet		Fan RPM	Fan BHP	LwA In/Out	Eff Plume Ht	Nozzle Vel	Windband Outlet		Fan RPM	Fan BHP	LwA In/Out						
				Vel	CFM						Vel	CFM						Vel	CFM						Vel	CFM				Vel	CFM	Vel	CFM	Vel	CFM
165QMXVP09H	1500	17.5	4673	2661	2525	1962	2.38	90/87	17.5	4673	2666	2530	2196	3.42	94/90	17.4	4673	2655	2519	2575	5.88	99/95	17.2	4673	2592	2460	2884	8.50	103/99						
	1770	19.3	5514	3154	2993	2229	3.48	94/90	19.2	5514	3136	2975	2441	4.61	97/93	19.3	5514	3152	2991	2801	7.33	102/97	19.2	5514	3122	2963	3099	10.3	105/101						
	2040	21.1	6355	3645	3459	2505	4.94	98/94	21.0	6355	3615	3430	2696	6.17	100/96	21.1	6355	3628	3443	3034	9.07	104/100													
	2310	23.0	7196	4129	3918	2785	6.77	101/97	22.9	7196	4107	3897	2959	8.15	103/99																				
	2580	24.8	8037	4609	4374	3070	9.02	104/100																											
165QMXVP09L	2100	18.7	4406	2991	2838	1895	2.32	90/88																											
	2590	21.2	5434	3669	3482	2176	3.59	93/92																											
	3080	23.9	6462	4375	4151	2476	5.42	97/95	23.9	6462	4391	4167	2744	7.05	101/98																				
	3570	26.7	7491	5117	4855	2782	7.83	100/98	26.4	7491	5060	4802	3022	9.58	104/101																				
165QMXVP12H	4060	29.5	8519	5873	5573	3094	10.9	103/101																											
	2300	20.0	3866	2523	4459	1969	2.63	91/90																											
	2760	22.6	4639	3030	5355	2229	3.92	94/93	22.3	4639	2969	5247	2500	5.36	99/97																				
	3220	25.2	5412	3536	6249	2497	5.66	96/96	25.1	5412	3532	6241	2766	7.30	101/99																				
	3680	27.8	6185	4050	7157	2780	7.93	99/100	27.8	6185	4042	7142	3026	9.72	103/102																				
165QMXVP12L	4140	30.4	6958	4566	8068	3070	10.8	102/103																											
	3100	20.3	3312	2592	4580	1718	2.14	82/83	20.3	3312	2580	4560	2031	3.33	88/89																				
	3970	24.2	4241	3347	5914	2035	3.66	86/88	24.0	4241	3313	5855	2289	5.01	90/91	23.9	4241	3287	5808	2776	8.21	98/97													
	4840	28.1	5170	4110	7263	2376	5.89	90/93	27.8	5170	4059	7172	2592	7.45	92/95	27.7	5170	4036	7132	2996	10.9	99/99													
	5710	32.0	6100	4864	8595	2729	8.93	95/98	31.7	6100	4818	8514	2915	10.8	96/99																				
165QMXVP15H	6580	35.8	7029	5616	9924	3091	13.0	99/103																											
	4500	24.8	4101	2754	7477	1964	3.31	86/88	24.6	4101	2726	7402	2198	4.65	88/90	23.3	4101	2525	6854	2628	7.56	96/96	24.1	4101	2650	7194	3062	11.1	103/102						
	5290	27.9	4820	3245	8810	2229	4.79	90/92	27.8	4820	3232	8773	2436	6.35	91/93	27.0	4820	3097	8408	2811	9.55	96/97													
	6080	31.0	5540	3739	10151	2504	6.74	93/96	30.9	5540	3719	10095	2684	8.46	95/96	30.6	5540	3666	9952	3026	12.1	97/98													
	6870	34.2	6260	4237	11502	2785	9.22	96/99	34.0	6260	4208	11424	2945	11.1	98/99																				
165QMXVP15L	7660	37.4	6980	4736	12856	3071	12.3	100/102																											
	5200	24.5	3388	2704	7340	1947	3.06	87/89	23.9	3388	2611	7088	2162	4.33	89/91	23.3	3388	2520	6840	2547	7.14	92/94	23.3	3388	2518	6835	2936	10.6	99/100						
	6130	27.8	3993	3221	8743	2217	4.44	91/93	27.1	3993	3122	8476	2413	5.94	92/94	26.6	3993	3041	8254	2747	8.96	95/96	26.1	3993	2953	8015	3075	12.5	97/99						
	7060	30.9	4599	3721	10101	2495	6.24	94/96	30.5	4599	3656	9924	2670	7.93	95/97	29.8	4599	3535	9597	2981	11.4	98/99													
	7990	34.1	5205	4216	11446	2780	8.54	98/99	33.8	5205	4181	11349	2936	10.4	99/100																				
8920	37.2	5811	4710	12786	3070	11.4	101/102																												

Performance certified is for installation Type A: free inlet, free outlet. Power rating (BHP) does not include transmission losses. Performance ratings do not include the effects of appurtenances (accessories). Performance ratings do not include the effects of cross winds. The A-weighted sound ratings shown have been calculated per AMCA Standard 301. Values shown are for inlet L_{wA} and outlet L_{wO} sound power levels for installation Type A: free inlet, free outlet. Ratings do not include the effects of duct end correction. Effective Plume Height referenced from base of unit and calculated using Equation 7 from 2007 ASHRAE Application Handbook, Chapter 44, with a 10 MPH wind.

QMXVP 225 Air Performance

Model	Fan Inlet CFM	Eff Plume Ht	Nozzle Vel	1.00" SP						2.00" SP						4.00" SP						6.00" SP									
				Windband Outlet		Fan RPM	Fan BHP	LwA In/Out	Eff Plume Ht	Nozzle Vel	Windband Outlet		Fan RPM	Fan BHP	LwA In/Out	Eff Plume Ht	Nozzle Vel	Windband Outlet		Fan RPM	Fan BHP	LwA In/Out	Eff Plume Ht	Nozzle Vel	Windband Outlet		Fan RPM	Fan BHP	LwA In/Out		
				Vel	CFM						Vel	CFM						Vel	CFM						Vel	CFM				Vel	CFM
				Vel	CFM	Vel	CFM	Vel	CFM	Vel	CFM	Vel	CFM	Vel	CFM	Vel	CFM	Vel	CFM	Vel	CFM	Vel	CFM	Vel	CFM	Vel	CFM	Vel	CFM		
225QMXVP12H	2300	22.0	3866	2526	4464	1354	3.93	92/90	22.0	3866	2527	4466	1522	5.79	95/94	22.1	3866	2542	4493	1800	10.0	100/98	22.1	3866	2539	4487	2031	14.8	103/102		
	2830	24.9	4756	3105	5487	1588	6.29	96/95	25.0	4756	3111	5498	1736	8.37	98/97	25.0	4756	3114	5503	1991	13.2	103/101	25.1	4756	3128	5527	2209	18.5	106/104		
	3360	27.9	5647	3686	6513	1829	9.54	99/99	27.9	5647	3690	6521	1961	11.9	101/100	28.0	5647	3693	6526	2195	17.3	105/103									
	3890	30.9	6538	4270	7545	2076	13.9	103/102	30.9	6538	4267	7541	2195	16.6	104/104																
	4420	33.9	7429	4855	8580	2326	19.4	106/105																							
225QMXVP15H	4000	25.5	3645	2544	6906	1319	3.69	90/89																							
	5150	30.2	4693	3299	8957	1555	6.27	93/93																							
	6300	34.9	5741	4027	10932	1800	9.91	96/97	34.9	5741	4037	10960	1992	13.0	101/100																
	7450	39.5	6789	4763	12929	2052	14.9	98/100	39.6	6789	4770	12949	2234	18.6	103/103																
225QMXVP15L	8600	44.2	7837	5509	14956	2315	21.6	101/104																							
	4800	25.5	3127	2545	6908	1172	3.00	82/84	25.3	3127	2523	6849	1440	5.00	92/91																
	6500	31.2	4235	3453	9374	1411	5.53	88/89	31.2	4235	3450	9364	1623	7.89	91/92	26.4	4235	2687	7295	2006	13.3	102/100									
	8200	37.0	5342	4370	11864	1682	9.66	95/94	36.9	5342	4349	11807	1847	12.2	96/95	37.1	5342	4378	11885	2186	18.6	100/100									
	9900	42.8	6450	5288	14356	1966	15.6	100/98	42.7	6450	5264	14291	2105	18.6	100/99																
225QMXVP18H	11600	48.7	7557	6209	16856	2258	23.6	102/102																							
	6000	29.2	3661	2629	10261	1290	4.10	84/86	28.5	3661	2544	9930	1519	6.33	90/90																
	7500	34.3	4576	3300	12878	1511	6.77	88/90	33.8	4576	3244	12662	1692	9.11	91/92	33.8	4576	3246	12670	2055	15.0	100/99									
	9000	39.3	5491	3967	15484	1746	10.5	92/95	39.2	5491	3951	15419	1897	13.1	94/96	38.1	5491	3800	14832	2202	19.6	99/99									
	10500	44.4	6406	4639	18105	1990	15.5	95/99	44.3	6406	4618	18023	2120	18.7	97/99																
225QMXVP18L	12000	49.6	7322	5313	20736	2240	22.1	99/102																							
	7800	30.1	3266	2754	10748	1290	4.44	85/87	29.4	3266	2660	10382	1476	6.68	88/89																
	9700	35.4	4061	3454	13479	1522	7.29	90/92	35.0	4061	3396	13256	1672	9.68	91/93	33.9	4061	3251	12686	1964	15.6	95/96	31.7	4061	2966	11574	2244	22.0	101/101		
	11600	40.7	4856	4146	16183	1763	11.3	94/96	40.4	4856	4105	16019	1891	14.0	95/97	39.5	4856	3985	15552	2144	20.5	98/99									
	13500	45.9	5652	4838	18882	2010	16.5	97/100	45.7	5652	4804	18747	2125	19.8	98/100																
225QMXVP21H	15400	51.2	6447	5529	21578	2261	23.4	100/103																							
	7900	31.9	3755	2612	13061	1392	5.26	87/88	31.6	3755	2577	12888	1570	7.52	89/90	31.3	3755	2541	12706	1917	12.8	95/95	32.7	3755	2703	13516	2262	19.2	103/101		
	9500	36.6	4515	3160	15803	1605	7.99	91/92	36.2	4515	3118	15595	1758	10.6	92/93	35.8	4515	3064	15324	2046	16.3	96/97	35.8	4515	3069	15349	2339	23.1	101/101		
	11100	41.2	5276	3700	18503	1826	11.7	94/96	41.0	5276	3668	18346	1959	14.7	95/97	40.5	5276	3621	18107	2213	21.0	98/99									
	12700	45.8	6036	4237	21189	2052	16.5	97/99	45.7	6036	4218	21095	2170	19.8	98/100																
225QMXVP21L	14300	50.5	6797	4774	23876	2282	22.6	100/102																							
	9300	32.1	3387	2642	13213	1389	5.01	88/89	31.3	3387	2549	12747	1554	7.27	90/91	31.2	3387	2531	12658	1843	12.3	94/94	31.9	3387	2621	13108	2103	17.9	98/98		
	11200	36.9	4079	3196	15982	1609	7.64	92/94	36.5	4079	3149	15750	1749	10.2	93/95	35.4	4079	3019	15097	2011	15.9	96/96	35.7	4079	3054	15271	2241	22.2	99/99		
	13100	41.6	4771	3741	18711	1837	11.1	96/97	41.4	4771	3721	18609	1959	14.1	97/98	40.3	4771	3589	17947	2193	20.4	98/99									
	15000	46.3	5462	4285	21431	2071	15.8	99/101	46.2	5462	4277	21390	2178	19.0	100/101																
16900	50.9	6154	4829	24149	2307	21.5	102/104																								

Performance certified is for installation Type A: free inlet, free outlet. Power rating (BHP) does not include transmission losses. Performance ratings do not include the effects of appurtenances (accessories). Performance ratings do not include the effects of cross winds. The A-weighted sound ratings shown have been calculated per AMCA Standard 301. Values shown are for inlet L_{wA} and outlet L_{wA} sound power levels for installation Type A: free inlet, free outlet. Ratings do not include the effects of duct end correction. Effective Plume Height referenced from base of unit and calculated using Equation 7 from 2007 ASHRAE Application Handbook, Chapter 44, with a 10 MPH wind.

QMXVP 300 Air Performance

Model	Fan Inlet CFM	Eff Plume Ht	Nozzle Vel	1.00" SP					2.00" SP					3.00" SP					5.00" SP										
				Windband Outlet		Fan RPM	Fan BHP	LwA In/Out	Eff Plume Ht	Nozzle Vel	Windband Outlet		Fan RPM	Fan BHP	LwA In/Out	Eff Plume Ht	Nozzle Vel	Windband Outlet		Fan RPM	Fan BHP	LwA In/Out	Eff Plume Ht	Nozzle Vel	Windband Outlet		Fan RPM	Fan BHP	LwA In/Out
				Vel	CFM						Vel	CFM						Vel	CFM						Vel	CFM			
300QMXVP18H	6200	31.4	3783	2564	10005	1046	6.86	93/92	31.3	3783	2549	9947	1175	10.1	96/95	31.3	3783	2544	9929	1287	13.6	99/98	31.6	3783	2588	10101	1484	21.6	103/102
	7300	35.0	4454	3030	11824	1181	9.74	96/95	34.8	4454	3010	11746	1303	13.6	99/98	34.7	4454	2999	11704	1406	17.4	101/100	34.8	4454	3006	11731	1590	25.9	105/104
	8400	38.6	5125	3503	13673	1316	13.4	100/98	38.3	5125	3470	13544	1435	17.8	102/101	38.2	5125	3460	13502	1532	22.2	104/102							
	9500	42.2	5796	3980	15535	1453	18.0	103/101	41.8	5796	3934	15355	1569	23	105/103	41.7	5796	3920	15300	1663	28.0	107/105							
	10600	45.8	6467	4454	17384	1590	23.7	105/104	45.4	6467	4404	17190	1704	29.2	107/106														
300QMXVP18L	8400	33.8	3517	2876	11226	1013	7.11	92/91																					
	10200	39.2	4270	3586	13995	1135	10.6	93/93																					
	12000	44.2	5024	4245	16566	1267	15.3	95/97	43.2	5024	4115	16062	1439	20.5	101/101														
	13800	49.1	5777	4885	19065	1405	21.4	98/100	48.7	5777	4832	18860	1561	27.3	103/102														
	15600	53.9	6531	5523	21554	1550	29.0	101/103																					
300QMXVP21H	8400	35.9	3992	2737	13686	1102	8.33	95/94																					
	9800	40.0	4658	3220	16102	1211	11.6	97/96																					
	11200	44.0	5323	3683	18417	1327	15.9	99/98																					
	12600	47.9	5989	4135	20680	1448	21.2	101/100	47.8	5989	4120	20602	1613	26.7	106/104														
	14000	51.8	6654	4588	22947	1573	27.6	103/103																					
300QMXVP21L	9200	34.2	3350	2549	12749	934	6.15	87/87																					
	11400	39.9	4151	3206	16035	1065	9.50	89/91	39.1	4151	3111	15559	1238	13.8	94/95														
	13600	45.3	4953	3836	19183	1203	13.9	92/94	44.9	4953	3783	18920	1355	19.0	97/97	44.2	4953	3703	18518	1500	24.2	100/101							
	15800	50.6	5754	4455	22280	1349	19.8	95/98	50.5	5754	4440	22207	1487	25.8	99/100														
	18000	55.9	6555	5072	25365	1501	27.4	98/101																					
300QMXVP24H	11200	37.4	3701	2525	17849	968	7.36	87/88							37.9	3701	2567	18148	1332	16.4	99/99								
	13400	42.9	4428	3063	21649	1092	10.7	90/91	42.2	4428	2991	21143	1244	15.3	95/95	42.2	4428	2994	21164	1396	20.4	99/99							
	15600	48.3	5155	3591	25384	1224	15.1	93/95	47.5	5155	3513	24832	1356	20.2	96/97	47.2	5155	3476	24574	1485	25.8	100/101							
	17800	53.6	5882	4107	29033	1361	20.7	96/98	53.0	5882	4050	28628	1477	26.3	99/100														
	20000	58.8	6609	4618	32646	1502	27.8	99/102																					
300QMXVP24L	12500	37.8	3242	2559	18091	939	6.74	86/87																					
	15300	43.8	3968	3149	22261	1081	10.2	90/92	43.2	3968	3090	21841	1218	14.7	93/94	42.0	3968	2973	21016	1351	19.8	96/97							
	18100	49.8	4694	3730	26366	1233	15.0	94/96	49.6	4694	3710	26226	1349	20.0	96/97	48.8	4694	3637	25706	1465	25.5	98/99							
	20900	55.7	5420	4306	30436	1390	21.4	97/99	55.6	5420	4299	30391	1490	26.8	99/101														
	23700	61.6	6146	4883	34515	1551	29.5	101/103																					
300QMXVP27H	13200	40.8	3631	2550	21425	1022	8.58	88/89	40.2	3631	2501	21012	1174	12.7	92/93	40.8	3631	2549	21416	1330	17.5	96/96							
	15400	45.6	4237	2982	25057	1144	12.0	91/93	45.2	4237	2948	24772	1277	16.6	94/95	44.9	4237	2917	24514	1406	21.7	97/98							
	17600	50.4	4842	3408	28635	1271	16.4	94/96	50.2	4842	3393	28513	1389	21.5	96/97	49.7	4842	3351	28158	1503	27.0	99/99							
	19800	55.1	5447	3832	32199	1402	22.0	97/99	55.1	5447	3829	32175	1507	27.5	99/100														
	22000	59.9	6052	4257	35768	1535	28.7	100/102																					
300QMXVP27L	15800	41.1	3250	2577	21655	1024	8.54	89/90	40.5	3250	2520	21174	1158	12.8	91/93							40.5	3250	2520	21175	1530	27.8	101/101	
	18300	45.6	3765	2983	25068	1146	11.8	92/94	45.5	3765	2969	24946	1264	16.4	94/96	44.7	3765	2897	24344	1376	21.5	96/98							
	20800	50.1	4279	3388	28464	1272	15.8	95/97	50.2	4279	3391	28496	1376	20.9	97/98	49.7	4279	3349	28143	1478	26.5	98/100							
	23300	54.7	4793	3792	31863	1400	20.9	98/100	54.8	4793	3801	31941	1495	26.4	99/101														
	25800	59.2	5308	4197	35261	1531	27.0	101/103																					
300QMXVP30H	17900	46.1	3965	2647	29240	1130	11.8	92/95	45.7	3965	2616	28890	1248	16.4	94/97	45.3	3965	2583	28530	1365	21.5	96/100							
	19900	49.9	4408	2949	32568	1231	15.0	94/97	49.6	4408	2921	32257	1337	20.0	96/99	49.2	4408	2895	31975	1444	25.5	98/101							
	21900	53.7	4850	3246	35853	1334	19.0	97/100	53.5	4850	3226	35629	1431	24.2	98/101														
	23900	57.5	5293	3544	39140	1437	23.5	99/102	57.4	5293	3530	38988	1528	29.2	100/103														
	25900	61.3	5736	3841	42426	1543	29.0	101/104																					
300QMXVP30L	20500	46.3	3532	2662	29401	1174	12.1	94/96	45.8	3532	2630	29042	1284	16.7	95/99	45.2	3532	2578	28475	1387	21.7	97/100							
	22800	50.1	3928	2965	32746	1282	15.4	96/99	49.8	3928	2941	32478	1382	20.5	98/101	49.3	3928	2902	32056	1478	25.9	99/102							
	25100	54.0	4325	3269	36101	1392	19.4	99/101	53.8	4325	3248	35874	1483	24.9	100/103														
	27400	57.9	4721	3572	39456	1504	24.2	101/104																					
	29700	61.8	5117	3876	42804	1617	29.8	103/106																					

QMXHPVP 90-120 Air Performance

Model	Fan Inlet CFM	Eff Plume Ht	Nozzle Vel	1.00" SP					2.00" SP					3.00" SP					4.00" SP											
				Windband Outlet		Fan RPM	Fan BHP	LwA In/Out	Windband Outlet		Fan RPM	Fan BHP	LwA In/Out	Windband Outlet		Fan RPM	Fan BHP	LwA In/Out	Windband Outlet		Fan RPM	Fan BHP	LwA In/Out							
				Vel	CFM				Vel	CFM				Vel	CFM				Vel	CFM				Vel	CFM					
90QMXHPVP09H	1400	15.0	4361	2552	2421	4126	1.05	87/87	15.1	4361	2581	2449	4514	1.40	89/90	15.1	4361	2594	2462	4874	1.77	91/92	15.2	4361	2598	2465	5217	2.15	93/94	
	1530	15.9	4766	2784	2642	4438	1.29	89/90	16.0	4766	2810	2666	4797	1.67	91/92	16.0	4766	2831	2686	5139	2.07	93/94	16.1	4766	2837	2692	5458	2.48	95/96	
	1660	16.7	5171	3020	2865	4758	1.58	91/92	16.8	5171	3039	2884	5089	1.99	93/93	16.9	5171	3064	2908	5413	2.42	94/95								
	1790	17.6	5576	3256	3089	5082	1.92	93/94	17.7	5576	3269	3102	5386	2.35	94/95															
	1920	18.5	5981	3492	3314	5409	2.30	95/96																						
90QMXHPVP09L	1800	15.2	3777	2621	2487	4509	1.21	91/94	15.2	3777	2602	2469	4830	1.58	93/96	15.2	3777	2612	2479	5158	2.00	94/98	15.2	3777	2609	2476	5462	2.43	96/100	
	1900	15.8	3987	2773	2631	4727	1.38	92/96	15.7	3987	2748	2607	5029	1.76	94/98	15.7	3987	2755	2614	5341	2.19	96/99								
	2000	16.4	4196	2925	2776	4947	1.57	94/97	16.3	4196	2893	2745	5230	1.97	95/99															
	2100	17.0	4406	3078	2921	5168	1.77	95/99	16.8	4406	3040	2885	5434	2.18	96/100															
	2200	17.5	4616	3231	3066	5391	2.00	97/100																						

Model	Fan Inlet CFM	Eff Plume Ht	Nozzle Vel	1.00" SP					2.00" SP					3.00" SP					5.00" SP											
				Windband Outlet		Fan RPM	Fan BHP	LwA In/Out	Windband Outlet		Fan RPM	Fan BHP	LwA In/Out	Windband Outlet		Fan RPM	Fan BHP	LwA In/Out	Windband Outlet		Fan RPM	Fan BHP	LwA In/Out							
				Vel	CFM				Vel	CFM				Vel	CFM				Vel	CFM				Vel	CFM					
120QMXHPVP09H	1500	15.9	4673	2666	2530	2748	1.46	84/84	15.9	4673	2649	2514	3108	2.01	87/86	15.8	4673	2632	2498	3445	2.60	91/89								
	1760	17.6	5483	3123	2964	3102	2.13	86/87	17.7	5483	3136	2976	3420	2.74	89/89	17.5	5483	3095	2937	3719	3.42	92/91								
	2020	19.4	6293	3585	3402	3468	2.99	89/89	19.4	6293	3593	3409	3752	3.69	91/91	19.4	6293	3594	3410	4023	4.42	94/93								
	2280	21.1	7103	4055	3847	3845	4.09	91/93	21.1	7103	4049	3842	4100	4.88	93/94															
	2540	22.9	7913	4527	4296	4228	5.44	94/95																						
120QMXHPVP09L	1900	15.8	3987	2621	2487	2594	1.27	83/84	15.7	3987	2615	2481	2927	1.83	85/86	15.5	3987	2562	2431	3241	2.44	87/88	15.4	3987	2532	2402	3811	3.77	93/92	
	2270	17.8	4763	3163	3001	2981	1.92	86/87	17.6	4763	3116	2957	3259	2.52	87/89	17.6	4763	3126	2966	3537	3.22	89/90	17.1	4763	2992	2839	4050	4.71	93/93	
	2640	19.8	5539	3708	3518	3381	2.79	88/91	19.6	5539	3639	3453	3621	3.45	90/92	19.5	5539	3625	3439	3861	4.20	91/93								
	3010	21.9	6316	4253	4036	3788	3.91	91/94	21.6	6316	4179	3965	4004	4.66	92/95	21.4	6316	4138	3927	4213	5.45	93/95								
	3380	23.9	7092	4800	4554	4202	5.32	94/97																						
120QMXHPVP12H	2500	19.9	4202	2747	4854	3187	2.32	87/89	19.8	4202	2717	4802	3454	3.01	88/91	19.6	4202	2682	4739	3700	3.67	90/92	19.2	4202	2606	4606	4160	5.11	94/95	
	2740	21.3	4605	3012	5322	3441	2.90	89/92	21.2	4605	2991	5285	3690	3.65	90/93	21.0	4605	2958	5228	3923	4.40	92/94								
	2980	22.7	5008	3278	5792	3699	3.60	91/94	22.6	5008	3262	5765	3931	4.39	92/95	22.4	5008	3234	5714	4151	5.22	93/96								
	3220	24.0	5412	3544	6262	3961	4.41	92/96	24.0	5412	3532	6241	4178	5.24	94/96															
	3460	25.4	5815	3809	6732	4225	5.34	94/98																						
120QMXHPVP12L	3300	20.2	3426	2790	4931	3460	2.64	90/93	19.9	3426	2747	4854	3679	3.36	91/94	19.6	3426	2685	4744	3894	4.12	92/95								
	3500	21.0	3634	2961	5233	3643	3.06	92/94	20.9	3634	2929	5176	3853	3.82	92/95	20.5	3634	2866	5065	4054	4.60	93/96								
	3700	21.9	3842	3131	5534	3827	3.52	93/95	21.8	3842	3109	5493	4029	4.32	93/96	21.5	3842	3051	5391	4218	5.14	94/97								
	3900	22.8	4049	3302	5834	4012	4.03	94/97	22.7	4049	3284	5804	4205	4.88	95/97															
	4100	23.6	4257	3471	6133	4197	4.58	95/98																						

Performance certified is for installation Type A: free inlet, free outlet. Power rating (BHP) does not include transmission losses. Performance ratings do not include the effects of appurtenances (accessories). Performance ratings do not include the effects of cross winds. The A-weighted sound ratings shown have been calculated per AMCA Standard 301. Values shown are for inlet L_{WA} and outlet L_{WA} sound power levels for installation Type A: free inlet, free outlet. Ratings do not include the effects of duct end correction. Effective Plume Height referenced from base of unit and calculated using Equation 7 from 2007 ASHRAE Application Handbook, Chapter 44, with a 10 MPH wind.

QMXHPVP 165 Air Performance

Model	Fan Inlet CFM	1.00" SP							2.00" SP						4.00" SP						6.00" SP												
		Eff Plume Ht	Nozzle Vel	Windband Outlet		Fan RPM	Fan BHP	LwA In/Out	Eff Plume Ht	Nozzle Vel	Windband Outlet		Fan RPM	Fan BHP	LwA In/Out	Eff Plume Ht	Nozzle Vel	Windband Outlet		Fan RPM	Fan BHP	LwA In/Out	Eff Plume Ht	Nozzle Vel	Windband Outlet		Fan RPM	Fan BHP	LwA In/Out				
				Vel	CFM						Vel	CFM						Vel	CFM						Vel	CFM				Vel	CFM	Vel	CFM
				Vel	CFM						Vel	CFM						Vel	CFM						Vel	CFM				Vel	CFM	Vel	CFM
165QMXHPVP09H	1500	17.2	4673	2600	2467	2100	2.37	91/87	17.2	4673	2591	2459	2331	3.32	95/90	17.4	4673	2644	2509	2754	5.65	101/96	17.3	4673	2610	2477	3086	8.06	105/100				
	1720	18.7	5358	2991	2838	2344	3.26	94/91	18.6	5358	2969	2817	2544	4.29	97/93	18.7	5358	3001	2848	2943	6.77	103/97											
	1940	20.2	6044	3382	3209	2591	4.36	97/94	20.1	6044	3356	3185	2774	5.51	100/96																		
	2160	21.6	6729	3769	3577	2838	5.70	100/97	21.5	6729	3744	3553	3012	6.98	102/98																		
	2380	23.1	7414	4158	3945	3087	7.32	102/100																									
165QMXHPVP09L	1800	17.0	3777	2552	2421	1626	1.41	82/82																									
	2410	20.5	5057	3466	3289	1958	2.59	85/87	20.3	5057	3421	3246	2236	3.62	90/89																		
	3020	23.8	6337	4345	4123	2321	4.43	89/91	23.7	6337	4329	4108	2549	5.60	93/93	23.9	6337	4390	4166	3005	8.40	100/97											
	3630	27.1	7616	5226	4959	2699	7.07	93/96	27.1	7616	5223	4956	2898	8.46	96/97																		
	4240	30.4	8896	6113	5801	3087	10.6	97/100																									
165QMXHPVP12H	2400	20.0	4034	2526	4464	1911	2.46	85/86	20.0	4034	2529	4469	2200	3.45	90/89																		
	2870	22.6	4824	3041	5373	2180	3.72	87/90	22.5	4824	3019	5334	2430	4.88	92/93																		
	3340	25.3	5613	3557	6286	2464	5.43	91/95	25.1	5613	3515	6211	2674	6.72	94/96	25.1	5613	3515	6212	3082	9.46	100/99											
	3810	27.9	6403	4066	7184	2752	7.62	94/99	27.7	6403	4028	7118	2938	9.06	97/100																		
	4280	30.5	7193	4576	8086	3048	10.4	97/103																									
165QMXHPVP12L	3100	20.5	3219	2633	4652	1750	2.07	82/83	20.1	3219	2551	4509	2007	3.03	84/86	20.0	3219	2534	4477	2476	5.24	92/92											
	3880	24.1	4029	3332	5888	2058	3.42	85/87	23.8	4029	3260	5761	2285	4.57	87/89	23.3	4029	3168	5598	2677	6.99	93/93	23.3	4029	3166	5595	3051	9.84	99/97				
	4660	27.6	4839	4007	7080	2384	5.33	89/92	27.4	4839	3974	7023	2581	6.68	91/94	26.8	4839	3857	6816	2933	9.53	95/96											
	5440	31.0	5648	4675	8261	2722	7.90	94/97	31.0	5648	4670	8253	2891	9.47	95/98																		
	6220	34.4	6458	5342	9439	3067	11.3	98/101																									
165QMXHPVP15H	4200	23.9	3827	2612	7090	1954	2.90	84/87	23.7	3827	2586	7019	2170	3.97	86/88	23.3	3827	2515	6826	2567	6.47	91/93											
	4930	26.9	4492	3083	8371	2223	4.25	88/90	26.6	4492	3045	8267	2411	5.46	90/91	26.5	4492	3021	8201	2764	8.17	93/95	25.9	4492	2922	7931	3092	11.3	97/98				
	5660	29.9	5158	3553	9645	2498	6.00	92/94	29.6	5158	3514	9540	2665	7.36	93/95	29.4	5158	3483	9455	2982	10.3	96/97											
	6390	32.8	5823	4022	10918	2778	8.22	95/97	32.6	5823	3984	10815	2927	9.73	96/98																		
	7120	35.8	6488	4491	12192	3063	11.0	98/100																									
165QMXHPVP15L	5100	24.9	3322	2776	7536	2084	3.22	87/89	24.6	3322	2723	7391	2285	4.50	89/90	24.1	3322	2646	7182	2627	7.05	92/93	23.7	3322	2586	7021	2947	9.88	95/96				
	5840	27.6	3805	3191	8662	2330	4.42	90/92	27.3	3805	3147	8544	2510	5.83	92/93	26.8	3805	3063	8315	2829	8.76	95/96											
	6580	30.2	4287	3604	9785	2583	5.94	94/95	30.0	4287	3567	9684	2742	7.45	95/96	29.5	4287	3488	9468	3043	10.8	97/98											
	7320	32.8	4769	4017	10905	2840	7.81	97/98	32.6	4769	3987	10824	2983	9.43	98/99																		
	8060	35.4	5251	4428	12020	3099	10.1	100/100																									

Performance certified is for installation Type A: free inlet, free outlet. Power rating (BHP) does not include transmission losses. Performance ratings do not include the effects of appurtenances (accessories). Performance ratings do not include the effects of cross winds. The A-weighted sound ratings shown have been calculated per AMCA Standard 301. Values shown are for inlet L_{wA} and outlet L_{wA} sound power levels for installation Type A: free inlet, free outlet. Ratings do not include the effects of duct end correction. Effective Plume Height referenced from base of unit and calculated using Equation 7 from 2007 ASHRAE Application Handbook, Chapter 44, with a 10 MPH wind.

QMXHPVP 225 Air Performance

Model	Fan Inlet CFM	1.00" SP							3.00" SP						5.00" SP						7.00" SP												
		Eff Plume Ht	Nozzle Vel	Windband Outlet		Fan RPM	Fan BHP	LwA In/Out	Eff Plume Ht	Nozzle Vel	Windband Outlet		Fan RPM	Fan BHP	LwA In/Out	Eff Plume Ht	Nozzle Vel	Windband Outlet		Fan RPM	Fan BHP	LwA In/Out	Eff Plume Ht	Nozzle Vel	Windband Outlet		Fan RPM	Fan BHP	LwA In/Out				
				Vel	CFM						Vel	CFM						Vel	CFM						Vel	CFM				Vel	CFM	Vel	CFM
				Vel	CFM						Vel	CFM						Vel	CFM						Vel	CFM				Vel	CFM	Vel	CFM
225QMXHPVP12H	2400	22.5	4034	2622	4633	1537	4.29	93/92	22.3	4034	2596	4587	1868	8.02	100/97	22.2	4034	2578	4555	2142	12.3	104/101	22.2	4034	2571	4544	2377	17.1	107/104				
	2810	24.8	4723	3070	5426	1738	6.14	96/95	24.7	4723	3054	5396	2040	10.4	101/99	24.6	4723	3030	5354	2298	15.0	106/103											
	3220	27.1	5412	3518	6217	1944	8.55	99/98	27.0	5412	3509	6201	2222	13.3	103/102																		
	3630	29.4	6101	3968	7011	2154	11.6	102/101																									
	4040	31.7	6790	4416	7804	2366	15.4	105/104																									
225QMXHPVP12L	3600	24.3	3738	2987	5278	1330	3.57	86/87																									
	4540	28.2	4714	3744	6617	1566	6.13	89/92																									
	5480	33.0	5690	4676	8263	1821	9.74	93/96																									
	6420	37.3	6666	5525	9762	2082	14.6	96/101	36.2	6666	5301	9368	2347	19.9	100/103																		
	7360	41.5	7642	6334	11193	2347	21.0	100/104																									
225QMXHPVP15H	4100	25.5	3736	2558	6944	1256	3.15	82/85																									
	5370	30.7	4893	3373	9156	1515	5.73	87/91	30.3	4893	3310	8984	1843	9.73	93/94																		
	6640	35.9	6051	4188	11368	1794	9.65	91/96	35.5	6051	4130	11213	2087	14.4	96/98	35.2	6051	4087	11096	2321	19.4	99/100											
	7910	41.0	7208	5004	13585	2084	15.1	95/100	40.7	7208	4951	13441	2335	20.5	98/102																		
	9180	46.2	8365	5820	15801	2380	22.6	98/104																									
225QMXHPVP15L	4800	25.6	3127	2567	6968	1163	2.71	79/82	25.7	3127	2584	7016	1559	5.98	89/90																		
	6500	31.5	4235	3505	9514	1428	5.10	84/88	31.1	4235	3428	9306	1762	9.18	91/92	31.6	4235	3516	9546	2044	13.6	96/97	30.8	4235	3395	9217	2295	18.5	100/100				
	8200	37.4	5342	4427	12019	1718	8.96	90/93	37.1	5342	4380	11890	1997	13.7	94/96	36.8	5342	4332	11759	2249	19.0	98/99											
	9900	43.3	6450	5359	14548	2019	14.6	94/98	43.2	6450	5337	14489	2254	19.9	97/99																		
	11600	49.2	7557	6296	17093	2329	22.5	98/102																									
225QMXHPVP18H	6000	28.7	3661	2568	10021	1314	3.86	82/85	28.8	3661	2581	10073	1662	7.64	89/91	29.2	3661	2631	10268	1970	11.9	95/96											
	7500	34.0	4576	3269	12759	1554	6.39	87/90	33.8	4576	3237	12632	1861	10.9	92/94	33.7	4576	3221	12570	2117	15.7	96/97	34.0	4576	3267	12752	2369	21.1	100/101				
	9000	39.2	5491	3951	15422	1806	9.99	91/94	38.4	5491	3840	14988	2068	15.0	94/97	38.8	5491	3896	15205	2311	20.7	98/100											
	10500	44.3	6406	4621	18035	2065	14.9	95/98	43.3	6406	4497	17549	2292	20.5	97/100																		
	12000	49.4	7322	5288	20637	2329	21.3	98/102																									
225QMXHPVP18L	7500	29.5	3140	2672	10429	1336	4.11	83/86	28.8	3140	2582	10075	1664	8.09	88/90	28.5	3140	2542	9921	1940	12.6	93/95	29.2	3140	2632	10273	2202	17.7	97/99				
	9300	34.4	3893	3320	12958	1577	6.63	88/90	34.0	3893	3260	12723	1865	11.3	91/94	33.4	3893	3192	12457	2107	16.5	94/96	33.1	3893	3153	12306	2330	22.0	98/99				
	11100	39.3	4647	3968	15487	1828	10.2	92/95	39.1	4647	3941	15381	2077	15.6	94/97	38.5	4647	3862	15073	2306	21.4	97/99											
	12900	44.3	5401	4620	18031	2085	15.0	95/98	44.1	5401	4596	17936	2303	21.0	97/100																		
	14700	49.2	6154	5272	20575	2347	21.3	99/102																									
225QMXHPVP21H	8000	32.4	3802	2671	13357	1464	5.32	86/87	31.0	3802	2512	12561	1762	9.45	90/91	32.0	3802	2622	13111	2034	14.2	94/95	32.5	3802	2682	13411	2274	19.2	98/99				
	9500	36.7	4515	3176	15883	1682	7.98	89/91	35.3	4515	3009	15050	1943	12.7	92/94	35.3	4515	3011	15059	2184	17.9	95/97											
	11000	40.9	5228	3666	18336	1904	11.5	93/95	40.2	5228	3585	17927	2139	16.8	95/96	39.1	5228	3450	17256	2353	22.5	97/99											
	12500	45.1	5941	4154	20775	2130	16.0	96/98	45.1	5941	4149	20748	2345	22.0	98/99																		
	14000	49.3	6654	4640	23207	2359	21.6	98/101																									
225QMXHPVP21L	8700	31.2	3168	2538	12691	1424	4.57	86/87	31.1	3168	2521	12606	1726	8.67	89/91	31.5	3168	2572	12865	1989	13.2	92/94	31.7	3168	2592	12965	2235	18.4	96/98				
	10400	35.5	3787	3034	15171	1643	6.83	90/91	35.2	3787	2998	14993	1907	11.5	92/94	35.4	3787	3028	15142	2145	16.7	94/96	35.8	3787	3072	15362	2362	22.1	97/98				
	12100	39.7	4406	3521	17609	1868	9.82	93/95	39.5	4406	3501	17511	2101	15.1	95/97	39.5	4406	3495	17477	2318	20.9	97/98											
	13800	43.9	5025	4007	20039	2098	13.7	96/98	43.9	5025	4016	20083	2307	19.7	98/99																		
	15500	48.1	5645	4494	22474	2331	18.6	99/101																									

Performance certified is for installation Type A: free inlet, free outlet. Power rating (BHP) does not include transmission losses. Performance ratings do not include the effects of appurtenances (accessories). Performance ratings do not include the effects of cross winds. The A-weighted sound ratings shown have been calculated per AMCA Standard 301. Values shown are for inlet L_{WA} and outlet L_{WO}. A sound power levels for installation Type A: free inlet, free outlet. Ratings do not include the effects of duct end correction. Effective Plume Height referenced from base of unit and calculated using Equation 7 from 2007 ASHRAE Application Handbook, Chapter 44, with a 10 MPH wind.

QMXHPVP 270 Air Performance

Model	Fan Inlet CFM	Eff Plume Ht	Nozzle Vel	1.00" SP						2.00" SP						4.00" SP						6.00" SP							
				Windband Outlet		Fan RPM	Fan BHP	LwA In/Out	Eff Plume Ht	Nozzle Vel	Windband Outlet		Fan RPM	Fan BHP	LwA In/Out	Eff Plume Ht	Nozzle Vel	Windband Outlet		Fan RPM	Fan BHP	LwA In/Out	Eff Plume Ht	Nozzle Vel	Windband Outlet		Fan RPM	Fan BHP	LwA In/Out
				Vel	CFM						Vel	CFM						Vel	CFM						Vel	CFM			
270QMXHPVP27H	13800	40.4	3796	2663	22378	1362	9.04	91/92	39.8	3796	2615	21970	1475	12.1	93/93	39.8	3796	2609	21920	1686	18.8	96/96	39.1	3796	2544	21376	1868	25.6	98/99
	15300	43.7	4209	2958	24857	1488	11.6	94/94	43.3	4209	2921	24546	1589	14.9	95/95	42.9	4209	2889	24271	1787	22.2	98/98							
	16800	47.0	4622	3252	27322	1615	14.6	96/96	46.7	4622	3225	27100	1706	18.2	97/97	46.0	4622	3167	26610	1890	26.0	99/99							
	18300	50.2	5034	3545	29785	1744	18.3	98/99	50.0	5034	3526	29628	1827	22.1	99/99														
	19800	53.5	5447	3837	32242	1874	22.5	100/101																					
270QMXHPVP27L	16500	41.1	3394	2728	22920	1473	10.6	94/95	41.0	3394	2720	22852	1568	13.8	95/96	40.1	3394	2639	22174	1752	20.6	97/98							
	17800	43.5	3662	2941	24715	1574	12.8	96/97	43.5	3662	2940	24707	1663	16.2	97/98	42.7	3662	2872	24129	1834	23.3	99/99							
	19100	45.9	3929	3155	26507	1676	15.2	98/99	45.9	3929	3159	26543	1760	19.0	98/99														
	20400	48.3	4197	3368	28304	1779	18.0	100/101	48.3	4197	3374	28348	1858	22.0	100/101														
	21700	50.7	4464	3582	30099	1883	21.2	101/102																					

Performance certified is for installation Type A: free inlet, free outlet. Power rating (BHP) does not include transmission losses. Performance ratings do not include the effects of appurtenances (accessories). Performance ratings do not include the effects of cross winds. The A-weighted sound ratings shown have been calculated per AMCA Standard 301. Values shown are for inlet L_{wA} and outlet L_{wO} A sound power levels for installation Type A: free inlet, free outlet. Ratings do not include the effects of duct end correction. Effective Plume Height referenced from base of unit and calculated using Equation 7 from 2007 ASHRAE Application Handbook, Chapter 44, with a 10 MPH wind.

QMXHPVP 300 Air Performance

Model	Fan Inlet CFM	Eff Plume Ht	Nozzle Vel	1.00" SP						2.00" SP						4.00" SP						6.00" SP							
				Windband Outlet		Fan RPM	Fan BHP	LwA In/Out	Eff Plume Ht	Nozzle Vel	Windband Outlet		Fan RPM	Fan BHP	LwA In/Out	Eff Plume Ht	Nozzle Vel	Windband Outlet		Fan RPM	Fan BHP	LwA In/Out	Eff Plume Ht	Nozzle Vel	Windband Outlet		Fan RPM	Fan BHP	LwA In/Out
				Vel	CFM						Vel	CFM						Vel	CFM						Vel	CFM			
300QMXHPVP27L	15800	41.9	3250	2647	22241	1130	8.84	89/92	41.6	3250	2620	22014	1247	12.4	91/94	40.5	3250	2521	21183	1462	20.7	95/98	40.4	3250	2516	21144	1663	29.9	99/102
	18200	46.3	3744	3045	25584	1267	12.2	92/95	46.3	3744	3039	25536	1371	16.2	94/97	45.5	3744	2970	24958	1568	25.3	98/100							
	20600	50.7	4238	3440	28901	1407	16.4	95/98	50.8	4238	3450	28986	1501	21.0	97/100														
	23000	55.1	4732	3834	32213	1550	21.6	98/101	55.3	4732	3852	32363	1634	26.6	100/102														
	25400	59.5	5225	4228	35528	1694	27.9	101/104																					
300QMXHPVP30H	18300	47.4	4053	2752	30393	1276	13.0	92/94	46.9	4053	2716	29995	1380	17.2	94/96	45.8	4053	2629	29034	1569	26.3	98/99							
	20100	50.9	4452	3022	33376	1382	16.3	95/96	50.6	4452	3004	33175	1477	20.9	97/98														
	21900	54.3	4850	3290	36341	1489	20.2	97/99	54.2	4850	3285	36284	1577	25.1	99/100														
	23700	57.7	5249	3559	39309	1597	24.7	100/101	57.8	5249	3562	39339	1679	30.0	101/102														
	25500	61.2	5648	3827	42273	1706	30.0	102/103																					
300QMXHPVP30L	21800	48.0	3756	2801	30931	1372	15.2	95/97	48.1	3756	2807	31004	1464	19.8	97/98	47.4	3756	2750	30374	1637	29.6	100/101							
	23400	50.7	4032	3006	33197	1460	18.2	97/99	50.7	4032	3011	33260	1545	22.9	99/100														
	25000	53.3	4307	3211	35465	1549	21.5	99/100	53.3	4307	3216	35519	1629	26.5	100/101														
	26600	55.9	4583	3417	37736	1638	25.2	101/102																					
	28200	58.5	4859	3622	40009	1728	29.4	103/103																					

Performance certified is for installation Type A: free inlet, free outlet. Power rating (BHP) does not include transmission losses. Performance ratings do not include the effects of appurtenances (accessories). Performance ratings do not include the effects of cross winds. The A-weighted sound ratings shown have been calculated per AMCA Standard 301. Values shown are for inlet L_{wA} and outlet L_{wO} sound power levels for installation Type A: free inlet, free outlet. Ratings do not include the effects of duct end correction. Effective Plume Height referenced from base of unit and calculated using Equation 7 from 2007 ASHRAE Application Handbook, Chapter 44, with a 10 MPH wind.

QMXHPVP 445 Air Performance

Model	Fan Inlet CFM	Eff Plume Ht	Nozzle Vel	1.00" SP						2.00" SP						4.00" SP						6.00" SP								
				Windband		Fan RPM	Fan BHP	LwA In/Out	Eff Plume Ht	Nozzle Vel	Windband		Fan RPM	Fan BHP	LwA In/Out	Eff Plume Ht	Nozzle Vel	Windband		Fan RPM	Fan BHP	LwA In/Out	Eff Plume Ht	Nozzle Vel	Windband		Fan RPM	Fan BHP	LwA In/Out	
				Outlet							Outlet							Outlet							Outlet					
				Vel	CFM	Vel	CFM	Vel	CFM	Vel	CFM	Vel	CFM	Vel	CFM	Vel	CFM	Vel	CFM	Vel	CFM	Vel	CFM	Vel	CFM	Vel	CFM	Vel	CFM	
445QMXHPVP30H	21600	53.0	4784	2847	31449	702	16.9	90/91	52.8	4784	2832	31279	795	24.0	93/93	52.0	4784	2769	30584	955	39.2	98/97	50.6	4784	2658	29362	1097	56.2	102/101	
	26000	60.1	5759	3406	37617	808	25.9	94/95	60.6	5759	3444	38041	889	34.0	96/96	59.7	5759	3368	37198	1032	51.4	100/100	59.0	5759	3317	36635	1163	70.5	103/103	
	30400	67.3	6733	3968	43829	918	38.2	97/99	67.8	6733	4008	44271	989	47.3	99/100	67.5	6733	3983	43994	1121	67.1	103/102								
	34800	74.6	7708	4537	50111	1031	54.2	100/103	75.0	7708	4567	50436	1095	64.4	102/103															
	39200	81.9	8682	5108	56412	1146	74.5	103/106																						
445QMXHPVP30L	21600	48.6	3722	2507	27684	634	12.6	86/87	49.0	3722	2537	28021	733	19.0	91/90	48.6	3722	2501	27624	904	33.5	96/96								
	27500	57.3	4738	3181	35135	757	21.4	91/93	57.7	4738	3215	35507	839	29.0	94/95	57.3	4738	3184	35169	988	46.0	99/99	57.3	4738	3187	35195	1121	64.5	102/102	
	33400	66.0	5755	3866	42702	886	34.2	95/98	66.0	5755	3865	42685	955	43.0	97/99	67.0	5755	3940	43520	1086	62.2	101/102								
	39300	74.7	6771	4544	50186	1018	51.8	99/102	74.7	6771	4547	50217	1079	62.0	101/103															
	45200	83.4	7788	5221	57666	1152	74.9	102/106																						
445QMXHPVP36H	27900	61.3	4081	2872	46527	762	19.6	88/90	61.0	4081	2857	46288	843	26.7	91/92	60.4	4081	2814	45594	989	42.2	95/96	61.2	4081	2869	46481	1125	60.4	99/100	
	32200	68.1	4710	3314	53685	855	27.5	92/93	68.1	4710	3316	53714	928	35.6	93/95	66.8	4710	3231	52339	1058	52.3	97/98	67.4	4710	3271	52989	1183	71.8	101/101	
	36500	75.0	5339	3761	60925	950	37.5	95/96	75.0	5339	3758	60882	1016	46.6	96/97	74.2	5339	3707	60060	1136	65.2	99/100								
	40800	82.0	5968	4209	68187	1047	50.0	98/99	81.8	5968	4200	68035	1107	60	99/100															
	45100	88.9	6596	4658	75466	1145	65.1	100/102																						
445QMXHPVP36L	33400	61.7	3743	2900	46988	784	20.3	90/91	61.3	3743	2872	46530	859	27.7	92/93	61.6	3743	2893	46862	999	44.6	95/96	59.9	3743	2782	45061	1125	62.7	99/99	
	37400	67.3	4191	3260	52804	861	26.5	93/94	66.6	4191	3218	52126	928	34.5	94/95	67.2	4191	3258	52787	1057	52.7	97/98	65.7	4191	3157	51140	1175	72.2	100/100	
	41400	72.8	4639	3615	58568	938	33.7	95/97	72.1	4639	3575	57910	1000	42.7	97/98	72.3	4639	3583	58046	1119	62.0	99/100								
	45400	78.3	5087	3970	64317	1017	42.4	98/99	77.8	5087	3937	63786	1075	52.5	99/100	77.3	5087	3909	63325	1184	72.8	101/102								
	49400	83.7	5536	4323	70040	1097	52.8	100/101	83.3	5536	4298	69633	1150	63.6	101/102															

Performance certified is for installation Type A: free inlet, free outlet. Power rating (BHP) does not include transmission losses. Performance ratings do not include the effects of appurtenances (accessories). Performance ratings do not include the effects of cross winds. The A-weighted sound ratings shown have been calculated per AMCA Standard 301. Values shown are for inlet L_{wA} and outlet L_{wA} sound power levels for installation Type A: free inlet, free outlet. Ratings do not include the effects of duct end correction. Effective Plume Height referenced from base of unit and calculated using Equation 7 from 2007 ASHRAE Application Handbook, Chapter 44, with a 10 MPH wind.

QMXHPVP 490 Air Performance

Model	Fan Inlet CFM	Eff Plume Ht	Nozzle Vel	1.00" SP					2.00" SP					4.00" SP					6.00" SP										
				Windband		Fan RPM	Fan BHP	LwA In/Out	Eff Plume Ht	Nozzle Vel	Windband		Fan RPM	Fan BHP	LwA In/Out	Eff Plume Ht	Nozzle Vel	Windband		Fan RPM	Fan BHP	LwA In/Out	Eff Plume Ht	Nozzle Vel	Windband		Fan RPM	Fan BHP	LwA In/Out
				Outlet							Outlet							Outlet							Outlet				
				Vel	CFM	Vel	CFM	Vel	CFM	Vel	CFM	Vel	CFM	Vel	CFM	Vel	CFM	Vel	CFM	Vel	CFM	Vel	CFM	Vel	CFM	Vel	CFM		
490QMXHPVP36H	27900	62.9	4081	2872	46530	638	20.4	87/89	62.0	4081	2814	45579	717	28.5	90/91	62.0	4081	2812	45556	852	46.1	96/96	63.2	4081	2895	46903	975	65.5	100/101
	33100	71.2	4841	3411	55252	728	30.3	90/93	70.9	4841	3392	54951	798	39.8	93/94	69.5	4841	3302	53497	921	59.4	97/98	70.2	4841	3348	54231	1031	81.2	101/102
	38300	79.6	5602	3949	63976	821	43.5	94/96	79.5	5602	3942	63862	883	54.1	96/97	78.0	5602	3848	62340	996	76.2	99/100	77.7	5602	3827	62003	1097	99.9	102/103
	43500	87.9	6362	4489	72717	916	60.3	97/100	87.8	6362	4481	72594	971	72.0	98/100	87.1	6362	4435	71844	1076	97.1	101/102							
	48700	96.3	7123	5029	81472	1012	81.2	100/103	96.2	7123	5021	81338	1063	94.4	101/103														
490QMXHPVP36L	32500	61.9	3642	2809	45512	630	19.1	87/89	61.6	3642	2790	45195	704	27.0	90/91	61.5	3642	2779	45028	839	45.2	95/96	63.0	3642	2878	46631	960	65.8	99/100
	38500	70.4	4314	3356	54363	718	27.9	91/92	69.5	4314	3301	53483	786	37.4	93/94	69.8	4314	3322	53809	902	56.7	97/98	69.5	4314	3300	53459	1016	79.9	100/101
	44500	78.6	4987	3889	62997	809	39.5	94/96	77.9	4987	3841	62225	870	50.3	96/97	77.6	4987	3825	61960	976	72.0	99/100	77.7	4987	3829	62034	1075	95.8	101/103
	50500	86.8	5659	4417	71562	902	54.2	97/99	86.4	5659	4389	71100	957	66.4	99/100	85.4	5659	4329	70129	1057	91.2	101/102							
	56500	94.9	6331	4943	80075	997	72.8	100/102	94.7	6331	4929	79854	1046	86.0	101/103														
490QMXHPVP49H	50800	77.2	4243	2919	82539	826	39.0	95/96	76.5	4243	2884	81535	881	50.0	97/97	75.8	4243	2850	80575	989	74.1	99/100	75.6	4243	2839	80259	1085	99.0	102/103
	53800	80.8	4493	3094	87482	868	44.9	97/98	80.2	4493	3066	86683	920	56.4	98/99	79.2	4493	3015	85237	1024	81.7	100/101							
	56800	84.4	4744	3268	92400	911	51.6	98/99	83.9	4744	3246	91773	960	63.6	99/100	82.6	4744	3182	89972	1059	89.7	101/102							
	59800	87.9	4995	3442	97321	954	58.9	100/101	87.6	4995	3424	96804	1000	71.3	100/101	86.1	4995	3355	94854	1095	98.5	102/103							
	62800	91.5	5245	3616	102227	997	66.9	101/102	91.2	5245	3600	101782	1041	79.8	102/103														
490QMXHPVP49L	60800	78.6	3798	2985	84407	896	46.1	99/100	78.6	3798	2987	84445	943	57.8	99/101	77.4	3798	2927	82748	1034	81.5	101/102							
	62800	80.6	3923	3083	87156	922	49.9	100/101	80.7	3923	3087	87271	968	62.2	100/101	79.6	3923	3034	85789	1057	86.5	102/103							
	64800	82.6	4047	3181	89929	949	54.1	101/102	82.7	4047	3185	90050	993	66.7	101/102	81.7	4047	3139	88755	1079	91.5	102/104							
	66800	84.6	4172	3278	92686	975	58.4	102/103	84.7	4172	3283	92830	1019	71.5	101/103	83.9	4172	3246	91764	1102	96.9	103/104							
	68800	86.6	4297	3376	95445	1002	63.1	102/104	86.7	4297	3381	95599	1044	76.3	102/104														

Performance certified is for installation Type A: free inlet, free outlet. Power rating (BHP) does not include transmission losses. Performance ratings do not include the effects of appurtenances (accessories). Performance ratings do not include the effects of cross winds. The A-weighted sound ratings shown have been calculated per AMCA Standard 301. Values shown are for inlet L_wA and outlet L_wA sound power levels for installation Type A: free inlet, free outlet. Ratings do not include the effects of duct end correction. Effective Plume Height referenced from base of unit and calculated using Equation 7 from 2007 ASHRAE Application Handbook, Chapter 44, with a 10 MPH wind.

QMXHPVP 540 Air Performance

Model	Fan Inlet CFM	Eff Plume Ht	Nozzle Vel	1.00" SP						2.00" SP						3.00" SP						4.00" SP							
				Windband Outlet		Fan RPM	Fan BHP	LwA In/Out	Eff Plume Ht	Nozzle Vel	Windband Outlet		Fan RPM	Fan BHP	LwA In/Out	Eff Plume Ht	Nozzle Vel	Windband Outlet		Fan RPM	Fan BHP	LwA In/Out	Eff Plume Ht	Nozzle Vel	Windband Outlet		Fan RPM	Fan BHP	LwA In/Out
				Vel	CFM						Vel	CFM						Vel	CFM						Vel	CFM			
				Vel	CFM	Vel	CFM	Vel	CFM	Vel	CFM	Vel	CFM	Vel	CFM	Vel	CFM	Vel	CFM	Vel	CFM	Vel	CFM	Vel	CFM	Vel	CFM	Vel	CFM
540QMXHPVP36H	27700	63.0	4051	2783	45090	574	22.8	88/92	62.4	4051	2747	44496	662	32.8	93/95														
	32600	70.8	4768	3289	53284	646	33.0	91/95	70.1	4768	3242	52515	724	44.4	95/98	70.0	4768	3237	52439	794	56.1	99/100							
	37500	78.6	5485	3792	61426	721	46.3	94/98	78.1	5485	3761	60932	788	58.7	98/101	77.4	5485	3718	60231	856	72.3	100/103							
	42400	86.3	6202	4288	69468	798	63.0	97/101	86.0	6202	4271	69188	858	76.8	100/103	85.4	6202	4231	68550	918	91.5	102/105							
	47300	94.0	6918	4786	77527	876	83.6	100/104	93.8	6918	4774	77344	931	99.0	101/105														
540QMXHPVP36L	33700	63.9	3776	2846	46097	557	22.1	86/90	63.0	3776	2782	45071	638	32.4	91/94	62.2	3776	2735	44304	714	43.6	95/97	62.0	3776	2723	44109	775	54.9	102/100
	39700	72.1	4449	3374	54664	628	31.9	90/94	71.2	4449	3317	53734	699	43.4	93/96	70.4	4449	3265	52895	767	55.9	97/99	69.8	4449	3225	52248	831	69.0	100/101
	45700	80.2	5121	3897	63133	701	44.3	93/97	79.5	5121	3851	62379	765	57.3	95/99	78.8	5121	3803	61616	826	71.2	98/101	78.1	5121	3757	60870	884	85.5	101/103
	51700	88.2	5793	4412	71473	776	60.1	96/101	87.7	5793	4382	70989	835	74.8	98/102	87.0	5793	4335	70235	889	89.6	100/103							
	57700	96.1	6466	4926	79799	853	79.8	99/103	95.9	6466	4909	79520	906	95.7	100/104														
540QMXHPVP49H	49900	78.7	4168	2898	81945	683	38.7	92/96	77.7	4168	2852	80628	746	51.3	94/98	77.1	4168	2824	79833	806	65.2	97/100	76.5	4168	2792	78936	862	79.6	99/102
	53900	83.4	4502	3130	88505	727	46.4	94/98	82.7	4502	3097	87554	787	60.0	96/100	82.0	4502	3059	86485	843	74.5	98/102	81.6	4502	3039	85935	897	89.9	100/103
	57900	88.2	4836	3361	95040	772	55.2	96/100	87.7	4836	3341	94473	829	69.9	98/101	86.9	4836	3298	93245	882	85.0	99/103							
	61900	92.9	5170	3591	101541	818	65.4	97/101	92.7	5170	3584	101330	871	80.8	99/103	91.8	5170	3540	100101	922	96.8	100/104							
	65900	97.6	5504	3821	108042	864	76.8	99/103	97.6	5504	3823	108099	915	93.3	100/104														
540QMXHPVP49L	58500	78.9	3654	2909	82247	699	38.8	94/97	78.8	3654	2902	82054	757	51.7	96/99	78.1	3654	2872	81202	814	65.9	98/101	77.4	3654	2834	80137	868	81.1	99/102
	62500	82.9	3904	3104	87770	739	45.3	95/99	82.9	3904	3107	87844	794	59.1	97/100	82.4	3904	3080	87076	847	73.7	99/102	81.8	3904	3050	86224	899	89.5	100/103
	66500	86.9	4154	3300	93299	779	52.6	97/100	87.1	4154	3309	93567	831	67.2	99/102	86.6	4154	3287	92947	881	82.3	100/103	86.1	4154	3261	92191	931	98.8	101/104
	70500	90.9	4403	3495	98826	820	60.8	99/102	91.2	4403	3510	99229	869	76.2	100/103	90.9	4403	3495	98804	917	92.1	101/104							
	74500	94.9	4653	3690	104343	861	69.9	100/103	95.2	4653	3708	104829	908	86.3	101/104														

Performance certified is for installation Type A: free inlet, free outlet. Power rating (BHP) does not include transmission losses. Performance ratings do not include the effects of appurtenances (accessories). Performance ratings do not include the effects of cross winds. The A-weighted sound ratings shown have been calculated per AMCA Standard 301. Values shown are for inlet L_{wA} and outlet L_{wA} sound power levels for installation Type A: free inlet, free outlet. Ratings do not include the effects of duct end correction. Effective Plume Height referenced from base of unit and calculated using Equation 7 from 2007 ASHRAE Application Handbook, Chapter 44, with a 10 MPH wind.



LOREN COOK COMPANY

2015 E. DALE STREET
SPRINGFIELD, MO 65803-4637

Phone 417.869.6474
FAX 417.862.3820

lorencook.com