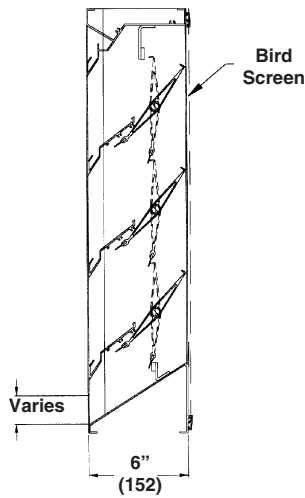
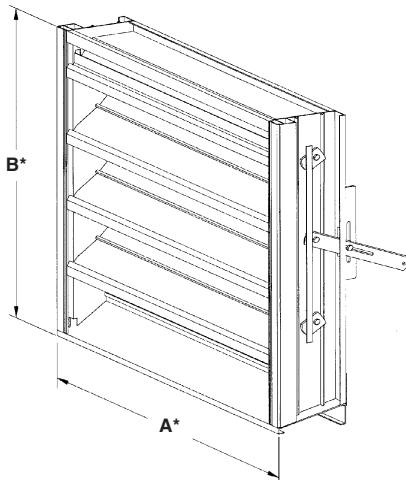




6375RDHAX DRAINABLE COMBINATION LOUVER

EXTRUDED ALUMINUM



STANDARD CONSTRUCTION

FRAME
6" (152) deep, 6063T5 extruded aluminum with .125" (3.2) nominal wall thickness. Downspouts and caulking surfaces provided.

BLADES
Front stationary drainable blades – 6063T5 extruded aluminum with .081" (2.1) nominal wall thickness, positioned at 37 1/2° angle and spaced approximately 6 1/8" (156) on center. Rear adjustable airfoil blades – 6063T5 extruded aluminum, .140" (3.6) nominal wall thickness.

SCREEN
3/4" x .051" (19 x 1.3) expanded, flattened aluminum bird screen in removable frame. Screen adds approximately 1/2" (13) to louver depth.

SEALS
Extruded vinyl blade edge seals on rear adjustable blades and flexible, compressible aluminum jamb seals.

LINKAGE
Concealed in frame.

BEARINGS
Stainless steel sleeve pressed into frame.

AXLES
1/2" (13) plated steel hex.

ACTUATOR
Locking louver quadrant.

FINISH
Mill.

MINIMUM SIZE
12"w x 12"h (305 x 305).

APPROXIMATE SHIPPING WEIGHT
8 lbs. per sq. ft. (39.1 kg per m²).

MAXIMUM FACTORY ASSEMBLY SIZE
Shall be 120"w x 96"h (3048 x 2438) with standard frame, 120"w x 93"h (3048 x 2362) with integral flange frame. Maximum operating section width is 60" (1524).

Louvers larger than the maximum factory assembly size will require field assembly of smaller sections.

FEATURES

- The 6375RDHAX offers:
- 47% Free Area.
 - Published performance ratings based on testing in accordance with AMCA Publication 511.
 - Concealed blade linkage is protected from weather exposure and reduces required installation depth.
 - Adjustable rear blades provide desired shut off in the same 6" (152) deep frame normally required by a louver alone.
 - Blade and jamb seals provide tight closure.
 - High performance frame system with drainable head collects and removes water to provide excellent water penetration performance.
 - A drain gutter in each front stationary blade minimizes water cascade between blades.
 - Architecturally styled hidden mullions allowing continuous line appearance up to 120" (3048).

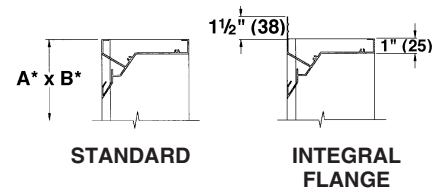
VARIATIONS

Variations to the basic design of the louver are available at additional cost. They include:

- Extended sill.
- Hinged frame.
- Front or rear security bars.
- Filter racks.
- Installation angles.
- A variety of bird and insect screens.
- A selection of manual, electric, and pneumatic actuators.
- Selection of finishes: prime coat, baked enamel (modified fluoropolymer), epoxy, Acrodize, Kynar, clear and color anodize. (Some variation in anodize color consistency is possible).

Consult Reliable for other special requirements.

FRAME CONSTRUCTION



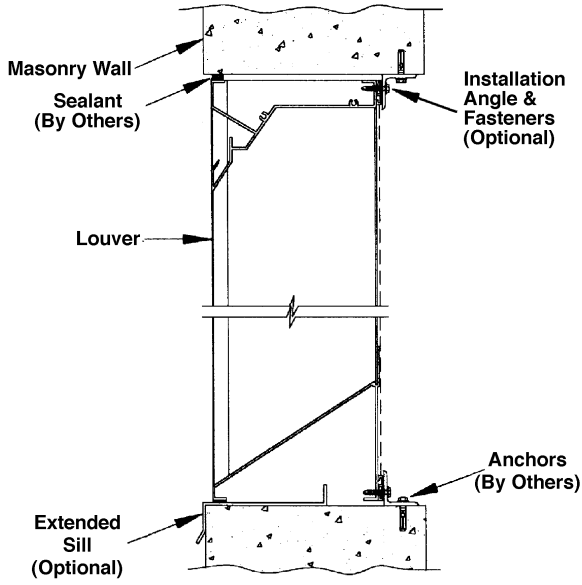
Dimensions in inches, parenthesis () indicate millimeters.

*Units furnished 1/4" (6) smaller than given opening dimensions.

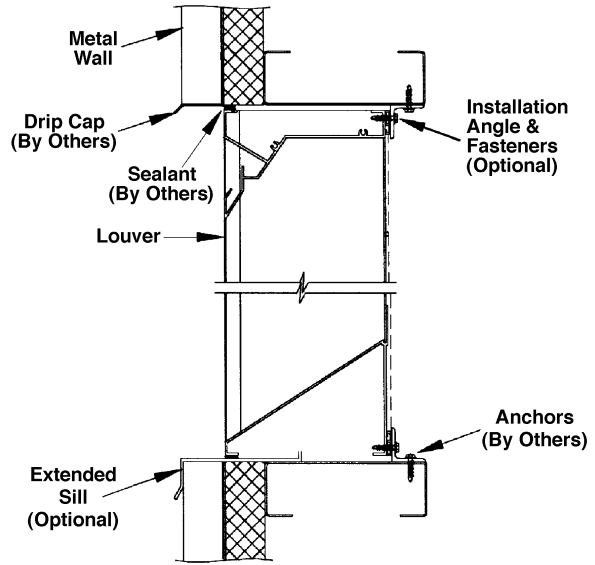
TAG	QTY.	SIZE		FRAME	VARIATIONS
		A*-WIDE	B*-HIGH		
PROJECT			LOCATION		
ARCH./ENGR.			CONTRACTOR		
REPRESENTATIVE			DATE		

TYPICAL INSTALLATION DETAILS

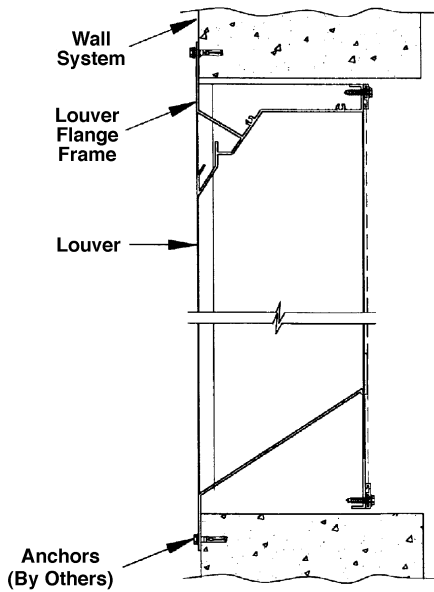
Masonry Wall



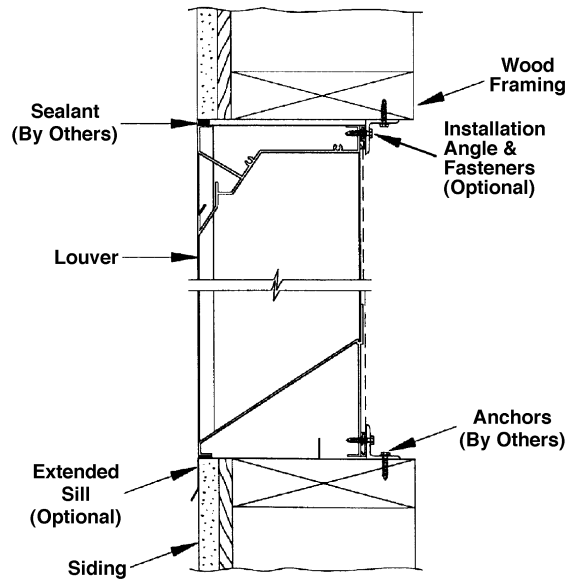
Metal Panel Wall



Wood Installation

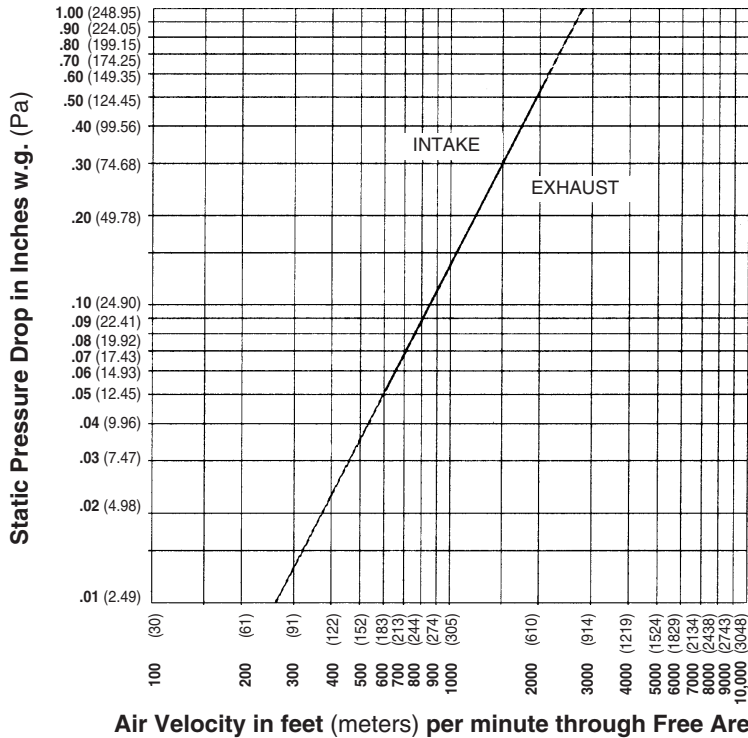


Flange Mount



*Accessories at additional cost.

PRESSURE DROP



Ratings do not include the effect of a bird screen.

PERFORMANCE DATA

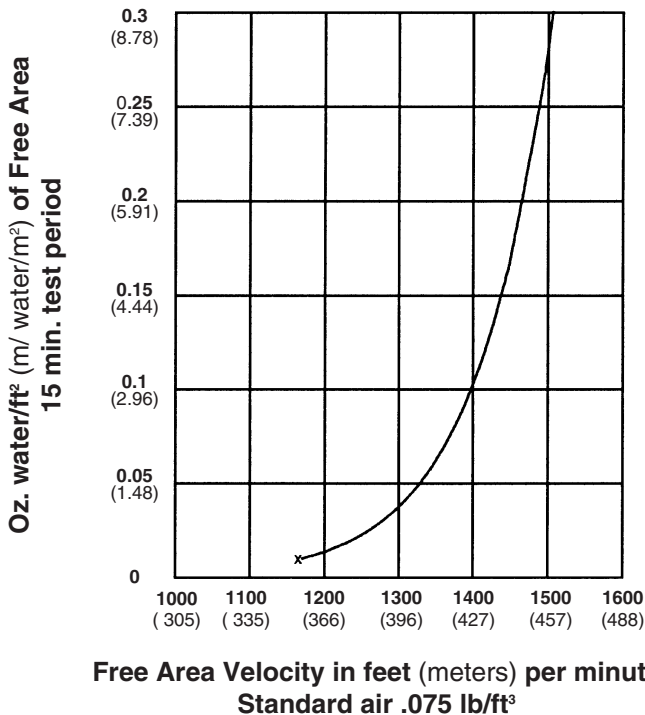
AMCA Standard 500 provides a reasonable basis for testing and rating louvers. Testing to AMCA 500 is performed under a certain set of laboratory conditions. This does not guarantee that other conditions will not occur in the actual environment where louvers must operate.

The louver system should be designed with a reasonable safety factor for louver performance. To ensure protection from water carry-over, design with a performance level somewhat below maximum desired pressure drop and .01 oz./sq. ft. of water penetration.

WATER PENETRATION GRAPH

Test size 48" wide x 48" high (1219 x 1219)

Beginning point of water penetration at .01 oz./sq. ft. is 1169 fpm (356 m/min).

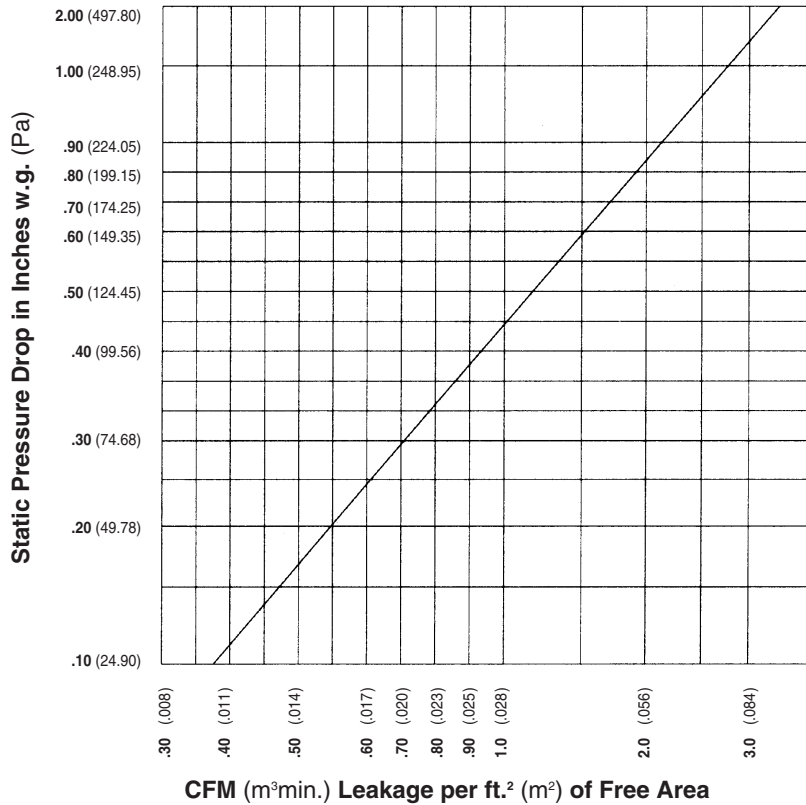


Ratings do not include the effect of a bird screen.



Reliable Products certifies that the 6375RDHAX Louvers shown herein are licensed to bear the AMCA Seal. The ratings shown are based on tests and procedures performed in accordance with AMCA Publication 511 and comply with the requirements of the AMCA Certified Ratings Program. The AMCA Certified Ratings Seal applies to air performance ratings and water penetration ratings only.

AIR LEAKAGE



FREE AREA GUIDE

Free Area Guide shows free area in ft² and m² for various sizes of 6375RDHAX.
Width – Inches and Meters

Height – Inches (Meters)

	12	18	24	30	36	42	48	54	60	66	72	78	84	90	96	102	108	114	120
	0.30	0.46	0.61	0.76	0.91	1.07	1.22	1.37	1.52	1.68	1.83	1.98	2.13	2.29	2.44	2.59	2.74	2.90	3.05
18	0.48	0.77	1.06	1.35	1.64	1.93	2.21	2.50	2.79	2.94	3.23	3.51	3.80	4.09	4.38	4.67	4.96	5.25	5.54
0.46	0.04	0.07	0.10	0.13	0.15	0.18	0.21	0.23	0.26	0.27	0.30	0.33	0.35	0.38	0.41	0.43	0.46	0.49	0.51
24	0.69	1.11	1.52	1.94	2.35	2.77	3.18	3.60	4.01	4.22	4.64	5.05	5.47	5.88	6.30	6.71	7.13	7.54	7.96
0.61	0.06	0.10	0.14	0.18	0.22	0.26	0.30	0.33	0.37	0.39	0.43	0.47	0.51	0.55	0.59	0.62	0.66	0.70	0.74
30	0.93	1.48	2.04	2.59	3.15	3.70	4.26	4.81	5.37	5.64	6.20	6.75	7.31	7.86	8.42	8.97	9.53	10.09	10.64
0.76	0.09	0.14	0.19	0.24	0.29	0.34	0.40	0.45	0.50	0.52	0.58	0.63	0.68	0.73	0.78	0.83	0.89	0.94	0.99
36	1.16	1.85	2.55	3.24	3.94	4.63	5.33	6.03	6.72	7.07	7.76	8.46	9.15	9.85	10.54	11.24	11.93	12.63	13.32
0.91	0.11	0.17	0.24	0.30	0.37	0.43	0.50	0.56	0.62	0.66	0.72	0.79	0.85	0.92	0.98	1.05	1.11	1.17	1.24
42	1.39	2.23	3.06	3.90	4.73	5.57	6.40	7.24	8.07	8.49	9.33	10.16	11.00	11.83	12.67	13.50	14.34	15.17	16.01
1.07	0.13	0.21	0.29	0.36	0.44	0.52	0.60	0.68	0.75	0.79	0.87	0.95	1.03	1.10	1.18	1.26	1.34	1.42	1.49
48	1.63	2.60	3.58	4.55	5.53	6.50	7.48	8.45	9.43	9.92	10.89	11.87	12.84	13.82	14.79	15.77	16.74	17.72	18.69
1.22	0.15	0.24	0.33	0.42	0.51	0.60	0.70	0.79	0.88	0.92	1.01	1.10	1.19	1.29	1.38	1.47	1.56	1.65	1.74
54	1.86	2.97	4.09	5.21	6.32	7.44	8.55	9.67	10.78	11.34	12.46	13.57	14.69	15.80	16.92	18.03	19.15	20.26	21.38
1.37	0.17	0.28	0.38	0.48	0.59	0.69	0.80	0.90	1.00	1.05	1.16	1.26	1.37	1.47	1.57	1.68	1.78	1.88	1.99
60	2.09	3.35	4.60	5.86	7.11	8.37	9.63	10.88	12.14	12.76	14.02	15.28	16.53	17.79	19.04	20.30	21.55	22.81	24.06
1.52	0.19	0.31	0.43	0.54	0.66	0.78	0.90	1.01	1.13	1.19	1.30	1.42	1.54	1.65	1.77	1.89	2.00	2.12	2.24
66	2.33	3.72	5.12	6.51	7.91	9.30	10.70	12.09	13.49	14.19	15.58	16.98	18.37	19.77	21.17	22.56	23.96	25.35	26.75
1.68	0.22	0.35	0.48	0.61	0.74	0.87	1.00	1.12	1.25	1.32	1.45	1.58	1.71	1.84	1.97	2.10	2.23	2.36	2.49
72	2.56	4.09	5.63	7.17	8.70	10.24	11.77	13.31	14.84	15.61	17.15	18.68	20.22	21.75	23.29	24.83	26.36	27.90	29.43
1.83	0.24	0.38	0.52	0.67	0.81	0.95	1.09	1.24	1.38	1.45	1.59	1.74	1.88	2.02	2.17	2.31	2.45	2.59	2.74
78	2.79	4.47	6.14	7.82	9.50	11.17	12.85	14.52	16.20	17.04	18.71	20.39	22.06	23.74	25.41	27.09	28.77	30.44	32.12
1.98	0.26	0.42	0.57	0.73	0.88	1.04	1.19	1.35	1.51	1.58	1.74	1.90	2.05	2.21	2.36	2.52	2.68	2.83	2.99
84	3.03	4.84	6.66	8.47	10.29	12.11	13.92	15.74	17.55	18.46	20.28	22.09	23.91	25.72	27.54	29.35	31.17	32.99	34.80
2.13	0.28	0.45	0.62	0.79	0.96	1.13	1.29	1.46	1.63	1.72	1.89	2.05	2.22	2.39	2.56	2.73	2.90	3.07	3.24
90	3.26	5.22	7.17	9.13	11.08	13.04	14.99	16.95	18.91	19.88	21.84	23.80	25.75	27.71	29.66	31.62	33.57	35.53	37.49
2.29	0.30	0.49	0.67	0.85	1.03	1.21	1.39	1.58	1.76	1.85	2.03	2.21	2.39	2.58	2.76	2.94	3.12	3.30	3.49
96	3.49	5.59	7.68	9.78	11.88	13.97	16.07	18.16	20.26	21.31	23.40	25.50	27.60	29.69	31.79	33.88	35.98	38.08	40.17
2.44	0.32	0.52	0.71	0.91	1.10	1.30	1.49	1.69	1.88	1.98	2.18	2.37	2.57	2.76	2.96	3.15	3.35	3.54	3.74

