

Comfortable energy efficient kitchen ventilation starts here.

Larkin specializes in ventilation comfort—for restaurants and other food service establishments. Our many top performing kitchen ventilation products reflect the industry's latest technological advances and will provide you with a fully integrated ventilation system that results in a positive, balanced building where customers and employees prefer to dine and work.

Our state-of-the-art, computer-aided product selection program helps you select and configure products for your system, view real-time drawings and create AutoCAD® files quickly. You'll also like the friendly, responsive customer service we provide. Your Larkin representative is just a phone call or e-mail away, and is always well prepared to help you design a ventilation system that reduces future energy and operating costs.

We listen to you, our customer, when designing our diverse product line.

Larkin believes in continuous improvement. Our engineers are constantly developing and redesigning products, responding to the needs of our customers. Extensive prototype modeling and testing, results in products that have higher efficiencies with lower installation and operating costs. Larkin engineers are focused on delivering reliable and convenient products that result in a positive ventilation experience.

Reliability and top performance are assured through extensive testing.

















Larkin products are comprehensively tested for structural integrity, aerodynamic performance, sound levels, mechanical operation, vibration, temperatures, environmental impact and more. Larkin products carry several certifications including AMCA, UL, and ETL.

A single source for all your kitchen ventilation needs.

Whether it's a large project or a small one, Larkin will build and deliver your entire kitchen system quickly and efficiently. Our products range from kitchen hoods, exhaust fans, dedicated make-up air, packaged rooftops, controls, variable volume systems, fire suppression, utility distribution and more.

Selection Chart

Table of Contents

		Features	Performance
	XRUB	4 - 10	51 - 77
	XRUD	4 - 10	78 - 85
	XSEB	4 - 10	86 - 104
	XSED	4 - 10	105 - 112
	XRUBS	4 - 10	113 - 121
	XTIF	11 - 19	122 - 141
	XIB	11 - 19	142 - 163
	XID	11 - 19	164 - 166
	XUEB	20 - 26	167 - 195
	XRED	27 - 33	196 - 213
	XREB	27 - 33	200 - 228
	XCR	34 - 41	229 - 230
	XIR	34 - 41	231 - 232
	XIFB	42 - 44	233 - 239
	XNAS, XRAE	45 - 47	240 - 243
	Roof Curbs	48 - 49	Not Applicable

Roof Upblast and Sidewall Exhaust Fans

Overview

When you buy a Larkin roof upblast or sidewall exhaust model, you receive a fan with the industry's best performance and durability for general clean air, high grease and other contaminant applications (as found in food service and fume hood exhaust). Both, roof upblast and sidewall configurations, are specifically designed to discharge air directly away from the mounting surface. All models are licensed to bear the AMCA Sound and Air Performance seal. Larkin subjects these products to extensive life testing, assuring you that the fans will provide many years of reliable performance.

You will also receive the following benefits with a Larkin roof upblast and sidewall exhaust fan:

- Leakproof construction for the entire life of the fan utilizing a one-piece windband that is continuously welded to the curb cap, which traps grease and protects the roof
- Broadest performance in the industry, up to 5 in. wg (1,245 Pa) and 30,000 cfm (50,970 m³/hr)
- Most advanced motor cooling of any fan in its class



XRUB, XRUD, XSEB, XSED, and XRUBS models are listed for electrical (UL/cUL 705) File no. E40001 and for grease removal (UL/cUL 762) File no. MH11745.



* UL is optional and must be specified.



Larkin Industries, Inc. certifies model XRUB, XRUD, XSEB, XSED, and XRUBS fans shown herein are licensed to bear the AMCA seal. The ratings shown are based on tests and procedures performed in accordance with AMCA Publication 211 and Publication 311 and comply with the requirements of the AMCA Certified Ratings Program.

Roof Upblast and Sidewall Exhaust Fans



XRUB - Belt Drive

Model XRUB belt drive upblast centrifugal exhaust fans are specifically designed for roof mounted applications. Exhaust air is discharged directly upward, away from the roof surface. Performance capabilities range from 200 to 30,000 cfm (339 to 50,970 m³/hr) and up to 5 in. wg (1,242 Pa) of static pressure. Maximum continuous operating temperature is 400°F (204°C).



XRUD - Direct Drive

Model XRUD direct drive upblast centrifugal exhaust fans are specifically designed for roof mounted applications. Exhaust air is discharged upward, away from the roof surface. Performance capabilities range from 70 to 6,400 cfm (119 to 10,874 m³/hr) and up to 3 in. wg (745 Pa) of static pressure. Maximum continuous operating temperature is 400°F (204°C).

Standard Construction Features

Wheel – An aluminum, backward-inclined, non-overloading centrifugal wheel is utilized to generate high-efficiency and minimal sound. Wheel cones are carefully matched to the venturi for maximum efficiency. Each wheel is statically and dynamically balanced, for long life and quiet operation.

Disconnect Switch – NEMA-1 switch is factory mounted and wiring is provided from the motor as standard (other switches are available). All wiring and electrical components comply with the National Electric Codes (NEC) and are either UL/cUL Listed or Recognized.

Fan Shaft – Precisely sized, ground, and polished so the first critical speed is at least 25% over the maximum operating speed. Close tolerances, where the shaft makes contact with bearings, results in longer bearing life.

Bearings – 100% factory tested and designed specifically for air handling applications with a minimum L(10) life in excess of 100,000 hours [L(50) average life of 500,000 hours].

Motor – Carefully matched to the fan load and mounted out of the airstream.

Motor Cover – Aluminum construction. Stainless steel fasteners are attached for easy removal and access to the motor compartment and drive assembly.

Stainless Steel Fasteners – Allows for easy removal and access to the motor compartment and drive assembly.

Motor Cooling – Cooling fins located on top of the fan wheel draw outside air through a large breather tube, directly into the motor compartment. Positive motor cooling with fresh air results in maximum motor life.

Lifting Points – Select models have various lifting points located on the drive frame and bearing plates.

Vibration Isolation – True vibration isolators contain two independent studs with rubber neoprene to support the drive assembly and wheel for long life and quiet operation. (No steel-on-steel contact)

Drive Assembly – Belts, pulleys and keys are oversized 150% of driven horsepower. Machined cast pulleys are adjustable for final system balancing. Belts are static-free and oil-resistant.

Windband – One-piece, heavy-gauge aluminum, with a rolled bead for extra strength, directs exhaust air away from the mounting surface.

Leakproof Construction – One-piece windband is continuously welded to the curb cap and drain trough, for leakproof protection on XRUD and XRUB, sizes 098 through 300 and all sizes with UL/cUL 762.

Mounting Holes – Aluminum curb cap has prepunched mounting holes to ensure correct attachment to the roof.

Drain Trough – Allows for one-point drainage of water, grease and other residue. (Roof Upblast only)

Internal Conduit Chase – For easy internal electrical wiring in applications not subject to NFPA.

Name Plate – Permanent stamped aluminum plate for exact model and serial identification number.

Roof Upblast and Sidewall Exhaust Fans



XSEB - Belt Drive

Model XSEB belt drive centrifugal sidewall exhaust fans are ideal for exhausting contaminated air away from a building, where a roof mounted unit cannot be used. Performance capabilities range from 200 to 12,400 cfm (339 to 21,068 m³/hr) and up to 2.75 in. wg (683 Pa) of static pressure. Maximum continuous operating temperature is 400°F (204°C).



XSED - Direct Drive

Model XSED direct drive centrifugal sidewall exhaust fans are designed to direct air out and away from buildings. Performance capabilities range from 70 to 6,400 cfm (119 to 10,874 m³/hr) and up to 3 in. wg (745 Pa) of static pressure. Maximum continuous operating temperature is 400°F (204°C).

Standard Construction Features

Wheel – An aluminum, backward-inclined, non-overloading centrifugal wheel is utilized to generate high-efficiency and minimal sound. Wheel cones are carefully matched to the venturi for maximum efficiency. Each wheel is statically and dynamically balanced, for long life and quiet operation.

Disconnect Switch – NEMA-1 switch is factory mounted and wiring is provided from the motor as standard (other switches are available). All wiring and electrical components comply with the National Electric Codes (NEC) and are either UL/cUL US Listed or Recognized.

Fan Shaft – Precisely sized, ground, and polished so the first critical speed is at least 25% over the maximum operating speed. Close tolerances, where the shaft makes contact with bearings, results in longer bearing life.

Bearings – 100% factory tested and designed specifically for air handling applications with a minimum L(10) life in excess of 100,000 hours [L(50) average life of 500,000 hours].

Motor – Carefully matched to the fan load and mounted out of the airstream.

Motor Cover – Constructed of aluminum. Attached with stainless steel fasteners for easy removal and access to the motor compartment and drive assembly.

Motor Cooling – Cooling fins located on top of the fan wheel draw outside air through a large breather tube, directly into the motor compartment. Positive motor cooling with fresh air results in maximum motor life.

Vibration Isolation – True vibration isolators contain two independent studs with rubber neoprene to support the drive assembly and wheel for long life and quiet operation. (No steel-on-steel contact).

Drive Assembly – Belts, pulleys and keys are oversized 150% of driven horsepower. Machined cast pulleys are adjustable for final system balancing. Belts are static-free and oil-resistant.

Windband – One-piece, heavy-gauge aluminum, with a rolled bead for extra strength, directs exhaust air away from the mounting surface.

Mounting Holes – Aluminum curb cap has prepunched mounting holes to ensure correct attachment to the roof.

Galvanized Birdscreen – Rigid wire protects the fan's discharge from birds and small objects. Standard on all sidewall fans.

Galvanized Mounting Plate – Allows mounting and sealing to the wall prior to mounting the entire unit. The remainder of the unit is attached to the mounting plate without locating and fastening problems associated with mounting a heavy sidewall unit to a wall.

Internal Conduit Chase – For easy internal electrical wiring in applications not subject to NFPA.

Name Plate – Permanent stamped aluminum plate for exact model and serial identification number.

Stainless Steel Fasteners – Allow easy removal and access to the motor compartment and drive assembly.

Roof Upblast and Sidewall Exhaust Fans



XRUBS - Belt Drive

Model XRUBS is used for heavy grease exhaust applications as found in char-broilers, solid fuel cooking and oriental cooking. Sizes 141, 141HP, 161, 161HP, 161XP are UL Listed for commercial cooking applications and capable of 400°F (204°C) continuous operation. The entire unit is constructed of heavy-gauge steel and has a centrifugal backward-inclined steel wheel. Unit includes: clean out port, non-stick coated wheel, heat baffle, and a NEMA-3R disconnect switch. Performance up to 3.25 in. wg (807 Pa) and 6,800 cfm (11,553 m³/hr).

Standard Construction Features

Fan Shaft – Is one inch minimum in diameter, precisely sized, ground and polished, so the first critical speed is at least 25% over the maximum operating speed, which results in longer fan life.

Bearings – Lubricatable cast pillow block and air handling quality extended life. Minimum L(10) life in excess of 100,000 hours [L(50) average life of 500,000 hours].

True Vibration Isolation – Lowers sound levels and reduces vibration, which increases the fans life, since true vibration has no steel-on-steel contact.

Clean Out Port – Allows the outside of the wheel to be cleaned through a 4-inch diameter removable plug in the windband.

Non-Stick Coated Steel Wheel – Heavyweight steel wheel with a non-stick coating eliminates imbalance in heavy grease applications. The steel wheel is a backward-inclined, non-overloading centrifugal type.

Drain Trough – All grease and water is collected at one-point for easy disposal.

Curb Cap with Mounting Holes – Prepunched mounting holes in the steel curb cap to ensure correct attachment to the roof.

Hinged Base – Allows entire fan to tilt away for access to wheel and ductwork for inspection and cleaning. Shipped for field assembly.

Leakproof Construction – One-piece fully welded windband to curb cap. Assures no grease will leak onto roof through the fan's seams.

Drive Assembly – Dual belts, pulleys and keys are oversized 150% of driven horsepower. Machined cast steel pulleys are adjustable for final system balancing. Belts are static-free and oil-resistant.

Motor Cover – Easily removable for access to the steel motor compartment and drive assembly.

Powder Coated – Unit is constructed of a minimum of 16-gauge steel. Entire unit is powder coated with chemical-resistant Permator™ finish.

Motor – Carefully matched to the fan load and mounted out of the airstream.

Windband – Uniquely spun from galvanized steel achieves superior strength and consistent material thickness.

NEMA-3R Disconnect Switch Mounted & Wired – Motor and switch are prewired to specified voltage.

Motor Cooling Tube – Maximum motor life is achieved through positive motor cooling with fresh outside air being continuously drawn through the large breather tube directly over the motor.

Name Plate – Exact model and serial identification number on a permanent stamped aluminum plate.

Heat Baffle – Extends motor life by reducing the amount of heat that penetrates through the bottom of the motor support pan.

Lifting Lugs – Located under motor compartment for ease of lifting unit during installation.

Roof Upblast and Sidewall Exhaust Fans

Options and Accessories

Roof Curbs – Wide variety of roof curbs are available for mounting the fan to the roof, including: vented, flanged, pitched, and sound-absorbing.

Vented Curb Extensions – Mounts between roof curb and roof mounted fans to meet NFPA requirements of 40 in. (101.6 cm) minimum discharge above the roof when mounted on a minimum 8 in. (20.32 cm) high roof curb.

Disconnect Switches – Assorted NEMA rated switches are available for positive electrical shutoff and safety, including: dust-tight, rainproof and corrosion-resistant.



Hinge Kit – Allows maintenance personnel to hinge the entire fan up to gain access to wheel and ductwork for regular inspection and cleaning. (Roof Upblast only)

Hinged Base – Allows for easy maintenance. Hinge and restraining cables are factory mounted to a subbase attached directly to curb without additional height added.

Grease Trap – Aluminum trap designed to collect grease residue to avoid drainage onto roof surface. (Roof Upblast only)



Grease Trap with Absorbent Material – Same as above, with an absorbent material to collect grease residue for easy disposal. (Roof Upblast only)



Windband Extension – Aluminum tube raises fan's discharge an additional 36 in. (91.44 cm) for special code requirements.

EC Motor – Electronically commutated motors are available for direct drive fans with 115 volt single phase hp; 1/4, 1/2, 3/4, 1 (on select models) and 50/60 Hz power. Look for VG in the fan model nomenclature.

Speed Controllers for EC Motor

- Motor mounted dial
- Control wire inputs (0-10V)
- Remote mounted dial



Coatings – Wide variety of coatings and colors are available for decorative to acidic applications.



Permatector™ is our standard coating, typically used for applications that require corrosion resistance in indoor and outdoor environments.



Hi-Pro Polyester is resistant to salt water, chemical fumes and moisture within more corrosive atmospheres.



Baked Enamel Decorative Coatings come in 16 standard, decorative colors or color match any color.

Clean Out Port – Removable plug allows for easy spray or steam cleaning of wheel through the windband. (Roof Upblast only)



Birdscreen – Galvanized or aluminum rigid wire to protect the fan's discharge from birds or small objects. (Galvanized is standard on Sidewall)

Self-Draining Grease System – Drain grease and rain water back through the ductwork into the specially designed Larkin hood. The hood then channels grease and rain water into the restaurant's floor grease trap.

Curb Seal – Rubber seal between fan and curb to assure proper sealing when attached to a curb.

Dampers – Designed to prevent outside air from entering back into the building when fan is off. Includes: backdraft and motorized dampers. (Not available with UL/cUL 762)

Drain Connection – Allows for single-point drainage of grease, water or other residue. (Roof Upblast only)

Speed Controllers – Available for use with shaded pole and permanent split capacitor open motors on direct drive fans. They provide an economical means of system balancing.



Roof Upblast and Sidewall Exhaust Fans

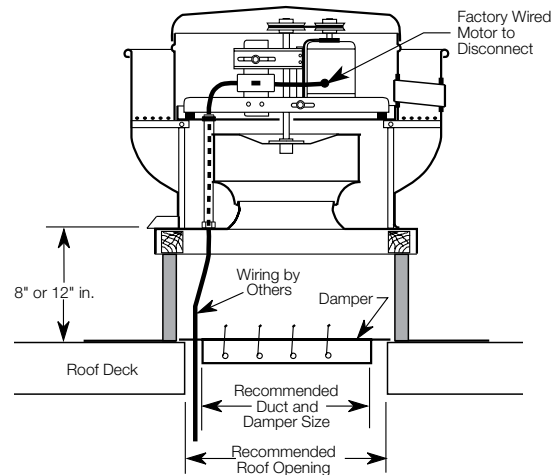
The following chart shows which options and accessories are available on Larkin's roof upblast and sidewall exhaust fans.

	XRUB	XRUD	XSEB	XSED	XRUBS
Options and Accessories					
Roof Curbs	Optional	Optional	—	—	Optional
Vented Curb Extensions	Optional	Optional	—	—	Optional
Disconnect Switches	Standard	Standard	Standard	Standard	Standard
Hinge Kit	Optional	Optional	—	—	Optional
Hinged Base	Optional	Optional	—	—	Standard
Grease Trap	Optional	Optional	—	—	Optional
Grease Trap with Absorbent Material	Optional	Optional	—	—	Optional
Non-Stick Wheel	Optional	Optional	—	—	Standard
Windband Extension	Optional	Optional	—	—	—
Coatings	Optional	Optional	Optional	Optional	Standard
Clean Out Port	Optional	Optional	—	—	Standard
Birdscreen	Optional	Optional	Standard	Standard	—
Self-Draining Grease System	Optional	Optional	—	—	Optional
Curb Seal	Optional	Optional	—	—	Optional
Dampers	Optional	Optional	Optional	Optional	—
Drain Connection	Optional	Optional	—	—	Optional
Speed Controllers	—	Optional	—	Optional	—
Electronically Commutated Motor	—	Optional	—	Optional	—

Roof Upblast and Sidewall Exhaust Fans

General Clean Air or Fume Hood (Non-Grease)

Exhaust fans are designed for applications ranging from clean air to contaminated air. A typical installation is shown. Sizes 095 and smaller can handle temperatures up to 130°F (54°C).

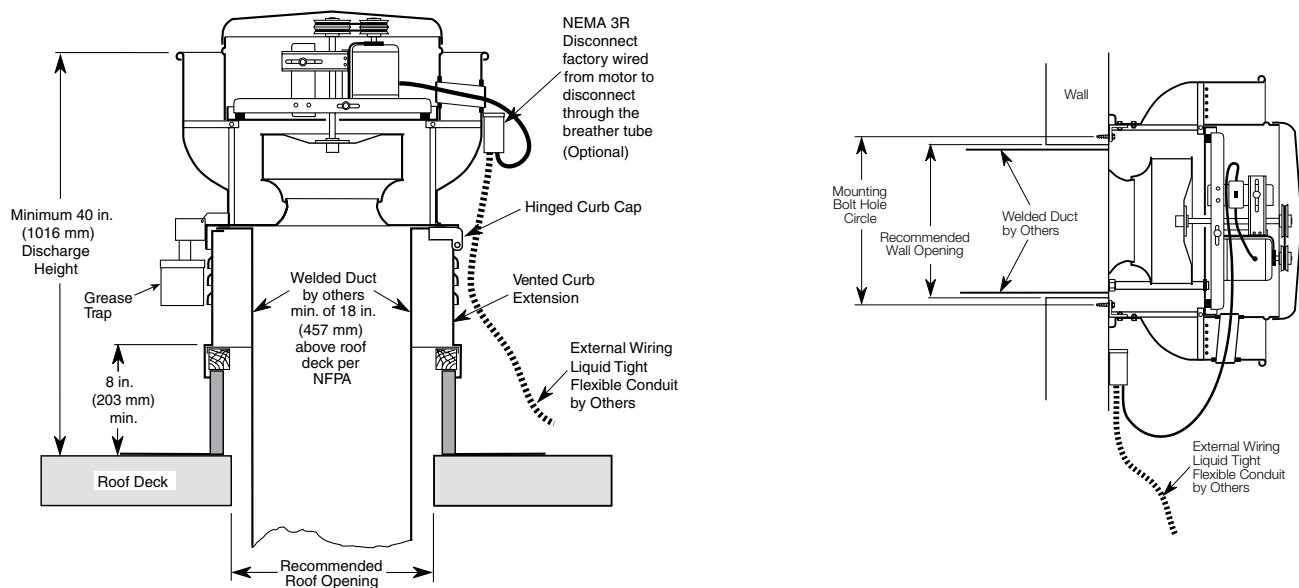


Commercial Kitchen (Grease)

Sizes 098 and larger are designed to meet restaurant and food service applications. These fans are UL/cUL Listed for grease removal and have been tested under high temperature [400°F (204°C)] and abnormal flare-up [600°F (316°C)] conditions.

Due to high temperatures and grease-laden airstreams in commercial kitchen ventilation, system designers must be aware of governing codes and guidelines. The National Fire Protection Association (NFPA) is the primary source upon which many codes for commercial kitchen's ventilation are based. Selected information from NFPA is shown below. Local code authorities should be consulted before proceeding with any kitchen ventilation project.

- Exhaust fans used in kitchen ventilation applications must have external wiring (wiring must not be installed in the airstream).
- Installation must include a means for inspecting, cleaning and servicing the exhaust fan (e.g. hinged curb cap).
- No dampers are to be installed in the system.



Note: Above installations are recommendations based on national codes. Local authority may supersede these recommendations.



Inline Fans

Overview

Model XTIF inline centrifugal fans are designed for ducted inline installations. Larkin tubular centrifugal fans provide quiet, efficient and reliable air performance. All XTIF products are belt driven with motors out of the airstream to prevent grease buildup. Housings are constructed of welded steel or aluminum (optional), and are suitable for indoor or outdoor applications. The backward-inclined wheels are manufactured from aluminum and are suitable for clean air and restaurant exhaust applications.

- Performance range: 360 to 24,000 cfm (612 to 40,776 m³/hr)
- Static pressure: Up to 4.0 in. wg (993 Pa)
- Maximum operating temperature: 200°F (93°C)



Model XIB and XID centrifugal backward-inclined belt or direct drive fans, are designed for clean air applications (intake, exhaust, return, or make-up air systems), where space is a prime consideration.

- Performance range: 30 to 27,000 cfm (51 to 45,873 m³/hr)
- Static pressure: Up to 4.0 in. wg (993 Pa)
- Maximum operating temperature: 180°F (82°C)



XTIF, XIB and XID models are listed for electrical (UL/cUL 705) File no. E40001. Model XTIF is available with the UL 762 Listing (Power Ventilators for Restaurant Exhaust Appliances).



* UL is optional and must be specified.



Larkin Industries, Inc. certifies that models XTIF, XIB, and XID fans shown herein are licensed to bear the AMCA seal. The ratings shown are based on tests and procedures performed in accordance with AMCA Publication 211 and Publication 311 and comply with the requirements of the AMCA Certified Ratings Program.



XTIF - Inline Fan

Model XTIF inline fan is the ideal choice for ducted systems. Larkin's standard fan can be mounted in any position from horizontal to vertical, allowing installation in the smallest possible space, at the lowest installation cost. The centrifugal wheels used in this design provide higher efficiencies and lower sound levels than propeller type inline fans when used in medium-pressure ducted systems. XTIF fans are available in either painted steel or aluminum construction.

Typical applications include:

- Restaurant grease exhaust
- General exhaust or supply
- Industrial space ventilation
- Fume hood exhaust (special coatings available)
- Combustion air
- Roof exhaust or supply (with weatherhood)

Levels of Construction

All XTIF inline fans are available in two levels of construction to provide the most efficient and economical selections. Construction differences between Level 1 and 2 selections include: the impeller, the inlet cone, the shaft size, and the bearings. The housings for both levels are identical in material gauge and overall design.

Level 1 Construction

- Maximum pressure capabilities of 2 in. wg (500 Pa)
- Highest efficiencies at static pressures below 1.5 in. wg (375 Pa)
- Riveted, partially welded aluminum wheel construction
- Most economical selection

Level 2 Construction

- Maximum pressure capabilities of 4 in. wg (993 Pa)
- Highest efficiencies at static pressures above 1.5 in. wg (375 Pa)
- Completely welded aluminum wheel
- Increased shaft and bearing diameter
- Increased horsepower and motor frame size capability

Standard Construction Features

Inlet & Outlet Flanges – Flanged inlets and outlets with mounting holes are provided for duct connections (XTIF only).

Housing – Housings are continuously welded steel and powder coated with Permator™.

Protective Coating – All steel constructed units are powder coated with Permator™, a thermosetting polyester urethane. Aluminum units are uncoated.

Type B Spark Resistance – All fans have aluminum wheels and a non-ferrous (aluminum) rub ring which surrounds the fan shaft where it passes through the drive cover. This construction meets Type B spark-resistant requirements.

Bearings – Standard bearings are grease lubricated, self-aligning, ball type in pillow block mounts. Bearings are selected for a minimum L(10) life in excess of 80,000 hours [L(50) average life of 400,000 hours] at maximum cataloged operating speeds.

Belt & Bearing Tube – Belts, bearings, and drives are protected from the airstream by heavy-gauge belt tubes and bolted bearing covers with shaft seals.

Extended Lube Lines – Lubrication lines with grease fittings allow bearing lubrication without disassembling the fan.



Optional Construction Features

Aluminum Construction – Aluminum construction is available on the XTIF fans and is an excellent choice for applications involving moisture or coastal installations.

Easy Access Construction – The easy access option is highly recommended to allow for inspection, cleaning and service of internal fan components. By removing one access panel, service to the wheel, shaft, and bearing assembly is possible without removing duct connections. In addition, all internal fan components can be removed from the fan through the easy access panel.

Easy access construction is available on all levels and sizes of XTIF and is also available with aluminum construction fans.



UL 762 Restaurant Grease Exhaust

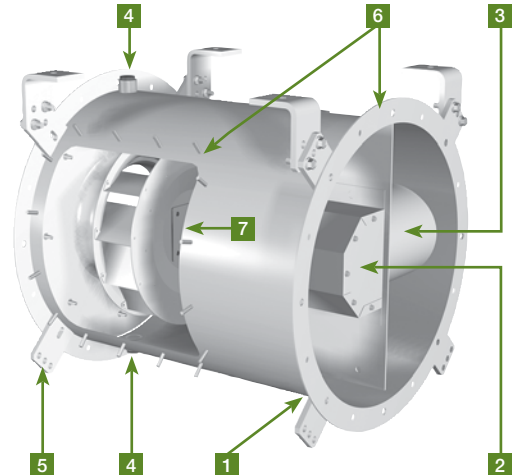
Inline grease exhaust fans are excellent alternatives for kitchen applications when roof or wall mounted ventilators are not practical. The XTIF with UL 762 grease option is designed to withstand the demands of high temperature kitchen grease exhaust and high-pressure duct washes.

Leak-Resistant Construction Features

- 1 Continuously welded housing and integral duct flanges, provide air and water tight design.
- 2 Gasketed bearing cover, including a labyrinth shaft seal to prevent moisture leakage during normal operation, while cleaning with high-pressure solvents.
- 3 Continuously welded belt tube keeps the belts and bearings clean.
- 4 Two-threaded drain connections are located 90° from the motor location to allow for removal of grease and moisture.

Mounting and Serviceability Features

- 5 Universal mounting brackets allow for rotation of the motor to the 3 or 9 o'clock position at the jobsite.
- 6 Duct flanges and access door bolt locations are no more than 4 inches (100 mm) on center per NFPA 96.
- 7 "Easy Access Door" provides access for duct cleaning, and allows removal of the wheel, shaft and bearings for maintenance. Gasket is rated for 400°F (204°C) and prevents leakage during operation.



System Design Guidelines

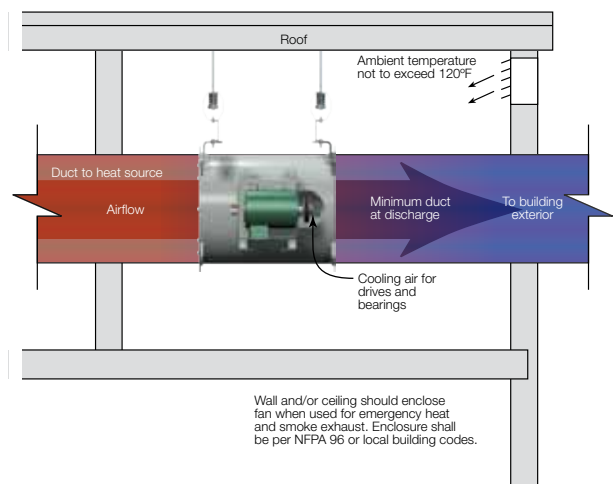
- Inline grease exhaust fans should be installed near the end of the duct run to reduce sound at the hood.
- Inline fan must be securely bolted to the exhaust duct per NFPA-96 guidelines. Larkin's companion flanges are recommended for ease of installation.
- Grease exhaust fans and ductwork must maintain 18 inches (46 cm) minimum clearance to combustible material. If the ductwork and fan are insulated, the inspection door must be accessible for maintenance.
- A minimum of 10 ft. (3.0 m) of clearance must be kept from the fan outlet to adjacent buildings, property lines, or the closest point of any air intake or operable window at or below the plane of the exhaust termination.
- Larkin recommends that all inline grease applications be reviewed by your local code official to ensure compliance with NFPA, IMC and other local codes.



Listed Power Ventilation for Restaurant Exhaust Appliances 13G3 Maximum Operating Temperature 300°F (149°C).

UL 762 is concerned with fans designed for removal of smoke and grease-laden vapors with airstream temperatures up to 300°F (149°C).

- Meets all UL 705 requirements
- Bolted access door
- Drain connection
- Meets requirements of NFPA 96 Ventilation Control and Fire Protection of Commercial Cooking Operations





XIB, XID - Inline Fan

Larkin's model XIB and XID centrifugal inline fans feature a unique combination of installation flexibility, rugged construction, ease of service, high-efficiency and low sound levels. These compact inline fans are the ideal selection for indoor clean air applications (including intake, exhaust, return, or make-up air systems), where space is a prime consideration. Installation costs are reduced because the need for costly square-to-round transition pieces are eliminated. The square housing design, compact size and straight through airflow give the system designer the flexibility to mount XIB, XID fans horizontal, vertical or at any angle. XIB, XID fans offer the broadest performance in the industry, up to 4 in. wg (993 Pa) and 27,000 cfm (45,873 m³/hr).

Typical applications include:

- General exhaust
- General supply
- Transfer air

Note: Not rated for contaminated air applications.

Standard Construction

Cabinet Construction – The fan housing is constructed of rigid structural members and formed galvanized steel panels. (Aluminum construction is optional in all XIB sizes 70-300 and XID sizes 60-160)

Wheel – An aluminum, backward-inclined, non-overloading, centrifugal wheel is utilized to deliver maximum efficiency. Each wheel is statically and dynamically balanced.

Duct Collars – Inlet and discharge duct collars are provided for easy duct connection. The square design also provides a larger discharge area than tubular centrifugal and vane axial fans, so outlet velocities are reduced for quieter operation.

Drive Frame – Constructed from heavy-gauge steel. Belt adjustment is accomplished by loosening fasteners, sliding motor plate and re-tightening fasteners.

Motor – Permanently lubricated, sealed ball bearing motors are selected to provide years of trouble-free operation with minimal maintenance.

Bearings – 100% factory tested and designed specifically for air handling applications with a minimum L(10) life in excess of 100,000 hours [L(50) average life of 500,000 hours].

Drive Assembly – Drives are sized for a minimum of 150% of driven horsepower. Machined cast iron pulleys are factory set to the required RPM and adjustable for final system balancing. Belts are static-free and oil-resistant.

Fan Shaft – Precisely sized, ground, and polished so the first critical speed is at least 25% over the maximum operating speed. Close tolerances, where the shaft makes contact with bearings, results in longer bearing life.

Disconnect Switch – NEMA-1 disconnect switch is factory mounted and wiring is provided from the motor as standard. All wiring and electrical components comply with the National Electric Codes and materials are UL Listed. (Other NEMA enclosure disconnect switches are optional)

Access Panels – The cabinet construction features two side access panels. Access panels permit easy access to all internal components.

Inline Fans

Options and Accessories

Belt Guard – Belt guards are totally enclosed to provide protection from rotating pulleys and belts. Belt guards meet OSHA guidelines.

Motor Cover (Weatherhood) – Weatherproof motor covers shield the motor and drive components from dust, dirt and moisture when used in outdoor applications. Motor covers also provide protection from rotating pulleys and belts, and meet OSHA guidelines.

Inlet & Outlet Companion Flanges – Companion inlet flanges and outlet flanges with prepunched holes are available for all fan sizes in painted steel construction.

Inlet & Outlet Guards – Removable inlet and outlet guards provide protection for personnel and equipment in non-ducted installations. These guards meet OSHA guidelines.

Inspection Door – Bolted or hinged doors provide access for cleaning or inspection.

Inspection Section – Inspection sections serve as a length of duct that can be easily removed to provide complete access to the fan for servicing. Each section includes a bolted inspection door.

Isolators – Both, base mount or hanging isolators, are available in either neoprene or spring mounts. The isolators are furnished in sets of four and sized to match the weight of each fan.

Mounting Rails – Mounting rails are required for horizontal mounting of XTIF fans when the motor is to be located in the 3 or 9 o'clock position. Mounting rails are also recommended for all vertically mounted inline fans.

Inlet Vane Dampers – Nested inlet vane dampers for controlling air volume are available on model XTIF inline fans with Level 2 steel construction in fan sizes 12 through 36.

Aluminum Construction – Aluminum construction is available for all direct drive sizes 60-160 and belt drive sizes 70-300.

EC Motor (XID only) – Electronically commutated motor requires no shaft grounding regardless of the turndown. Bearing life is greater since the motor runs cooler the further it is turned down. No voltage or current spikes as in VFD controlled motors. Available for direct drive fans with 115 volt single phase. Horsepower includes: 1/4, 1/2, 3/4, 1 in both 50 and 60 Hz power. Look for VG in the fan model nomenclature.

Speed Controllers – Available for use with shaded pole and permanent split capacitor (PSC) open motors on model XID fans. They provide an economical means of system balancing with direct drive fans.

Direct Drive Motor Cover – Formed galvanized steel motor covers are available to isolate direct drive motors from the airstream. When motor covers are furnished, vents to the exterior of the fan are provided to ensure sufficient motor cooling.

Gravity Dampers – Gravity or motorized parallel blade dampers (Model WD-330) are available for duct mounting. These dampers feature sturdy galvanized frames with prepunched mounting holes, aluminum blades with felt edges and a balanced design for minimal resistance to airflow.

Control Dampers – Square opposed blade volume control dampers (Model VCD) are available for duct mounting. These dampers feature sturdy galvanized frames with prepunched mounting holes, steel blades with vinyl seals and flexible metal jamb seals. A balanced design results in minimal resistance to airflow.

Coatings – Wide variety of coatings and colors are available. Decorative coatings are available in sixteen different colors. Protective coatings are available in a choice of five electrostatic applied powders providing an available selection for most environments.

Wiring Pigtail – Allows direct hook-up to the power supply (eliminating field wiring at the fan).

Pressure Probe – A ¼-inch diameter tube in the fan venturi allows hook-up to the manometer (for static pressure measurement).

Insulated Housing – For noise reduction and condensation control, the interior of the fan housing can be lined with a fiberglass duct liner (½ and 1 inch being standard). The optional motor cover can also be insulated.

The table below depicts the dB reduction that can be obtained in each octave band for the insulated housing and motor cover together.

Approximate dB Sound Attenuation								
Octave Band	1	2	3	4	5	6	7	8
Sizes 60 - 130	-2	-7	-4	-4	-6	-13	-13	-9
Sizes 140 - 420	-3	-2	-5	-4	-5	-5	-7	-8

Electrical Accessories

Toggle type and heavy-duty disconnect switches are available for positive electrical shut off and safety in servicing fans.

Enclosure	Application	Toggle	Heavy-Duty
NEMA-1	Indoor, General Purpose	Yes	Yes
NEMA-12	Indoor, Dust/Drip Tight	Yes	Yes
NEMA-3R	Indoor/Outdoor, Rainproof	Yes	Yes
NEMA-4	Indoor/Outdoor, Watertight	Yes	Yes
NEMA-4X	Indoor/Outdoor, Watertight (Corrosion-Resistant)	Yes	Yes
NEMA-7 & 9	Indoor/Outdoor, Hazardous Locations	Yes	No

Inline Fans

The following chart shows which options and accessories are available on Larkin's inline fans.

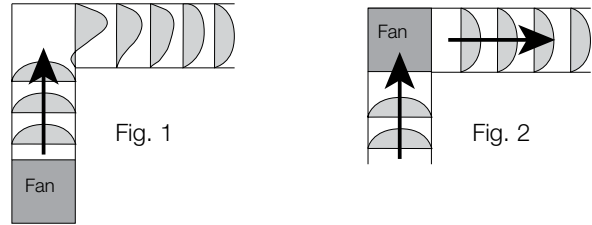
	XTIF	XIB	XID
Options and Accessories			
Belt Guard	Optional	—	—
Motor Cover	Optional	Optional	Optional
Inlet and Outlet Companion Flanges	Optional	—	—
Inlet and Outlet Guards	Optional	Optional	Optional
Inspection Door	Optional	Standard	Standard
Inspection Section	Optional	—	—
Isolators	Optional	Optional	Optional
Mounting Rails	Optional	Optional	Optional
Inlet Vane Dampers	Optional	Optional	Optional
Aluminum Construction	Optional	Optional	Optional
Speed Controllers	—	—	Optional
Gravity Dampers	Optional	Optional	Optional
Control Dampers	Optional	Optional	Optional
Coatings	Standard	Optional	Optional
Insulated Housing	—	Optional	Optional
Wiring Pigtail	—	Optional	Optional
NEMA-1 Disconnect	Optional	Standard	Standard
Electronically Commutated Motor	—	—	Optional

Inline Fans

Side Discharge Option

The side discharge option provides several advantages, from removing a system effect problem, increasing performance, or even reducing installation labor.

The most notable is reducing system effects. In Fig. 1, notice how the air, when discharged into the corner, will take several duct lengths before becoming smooth again. This is not the case with a side discharge. Notice now in Fig. 2 as air comes into the fan/corner and leaves the fan/corner, you have nice smooth airflow providing a more predictable system. (Duct length prior to or following the installation location should be approximately two to three wheel diameters to achieve cataloged performance.)



Discharge Configuration

Make sure discharge is oriented in the same direction as originally ordered, as performance will change with different discharge positions. Right side discharge will give you 108% of cataloged performance and left side will give you 109% of cataloged performance. Refer to Fig. 3 to locate an orientation that fits your application and Fig. 4 and 5 for proper side discharge definition.

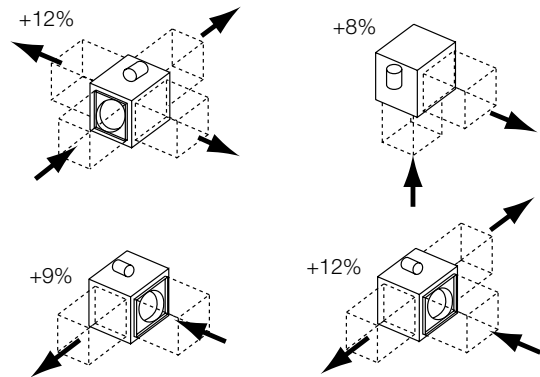


Fig. 3

Percentages based on cataloged performance.

XIB Side Discharge Duct Openings

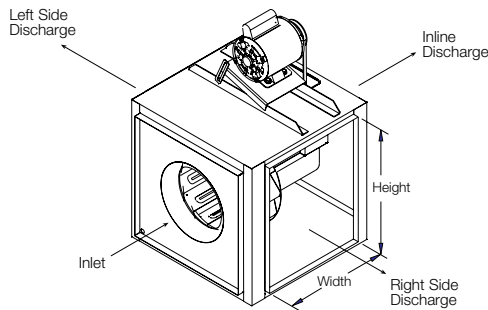


Fig. 4

Unit Size	Width	Height
70-80-90	11 ¹ / ₈	11 ¹ / ₈
100	13 ³ / ₈	13 ³ / ₈
120	15 ⁵ / ₈	15 ⁵ / ₈
130-130HP	17 ⁷ / ₈	17 ⁷ / ₈
140-140HP	19 ⁹ / ₈	19 ⁹ / ₈
160-160HP	22 ¹ / ₈	22 ¹ / ₈
180-180HP	23 ³ / ₈	23 ³ / ₈
200-200HP	27 ⁵ / ₈	27 ⁵ / ₈
240-240HP	28 ⁷ / ₈	34 ⁷ / ₈
300-300HP	31 ⁹ / ₈	41 ⁹ / ₈
360-360HP	32 ¹ / ₈	37 ¹ / ₈
420	34 ³ / ₈	43 ³ / ₈

XID Side Discharge Duct Openings

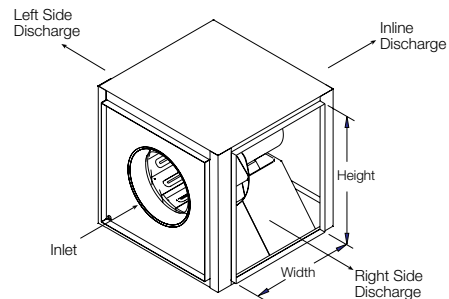


Fig. 5

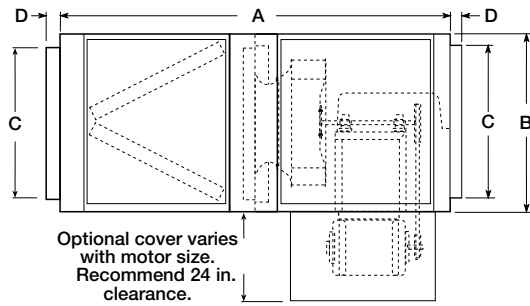
Unit Size	Width	Height
60-75	9 ⁷ / ₈	8 ⁷ / ₈
80-95	12 ¹ / ₈	11 ¹ / ₈
100	13 ³ / ₈	13 ³ / ₈
120	15 ⁵ / ₈	15 ⁵ / ₈
130	17 ⁷ / ₈	17 ⁷ / ₈
140	19 ⁹ / ₈	19 ⁹ / ₈
160	22 ¹ / ₈	22 ¹ / ₈

Inline Fans

Filter Boxes

The filter box is designed to provide a compact, convenient, and clean air solution. Factory assembled as a single unit, this fan eliminates the costly process of designing, fabricating and installing special remote filter box assemblies. Both, the fan and filter section, feature removable access panels on both sides to remove and replace filters, making fan maintenance simple and fast.

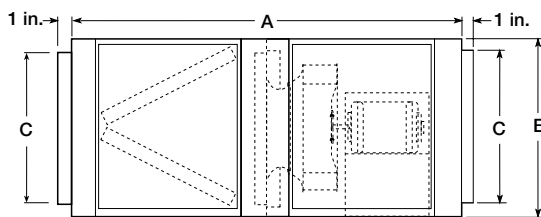
Model XIB



Model	A	B	C	D	Weight	Filter Size	Qty.
70 - 80 - 90	50 ⁵ / ₈	15	11 ⁷ / ₈	1	117	14 x 25	1
100	47 ¹ / ₄	17	13 ³ / ₈	1	120	16 x 20	2
120	52 ³ / ₁₆	19	15 ⁷ / ₈	1	144	16 x 25	2
130 - 130HP	46 ³ / ₈	21	17 ¹ / ₈	1	140	20 x 20	2
140 - 140HP	52 ³ / ₈	23	19 ⁷ / ₈	1	181	20 x 25	2
160 - 160HP	51 ³ / ₈	26	22 ⁷ / ₈	1	294	20 x 20	4
180 - 180HP	55 ¹ / ₁₆	28	23 ⁷ / ₈	1 ¹ / ₂	344	20 x 25	4
200 - 200HP	66 ¹ / ₁₆	32	27 ⁷ / ₈	1 ¹ / ₂	441	12 x 25	3
						16 x 25	3
						20 x 25	4
240 - 240HP	68 ⁷ / ₈	39	34 ⁷ / ₈	1 ¹ / ₂	573	16 x 25	4
300 - 300HP	72 ¹ / ₈	46	41 ⁷ / ₈	1 ¹ / ₂	759	20 x 25	8
360 - 360HP	79 ¹ / ₄	52	47 ⁷ / ₈	1 ¹ / ₂	957	16 x 25	10
						20 x 25	5
420	93 ¹ / ₈	58	53 ³ / ₈	1 ¹ / ₂	1185	16 x 25	5
						20 x 25	10

Note: 24-inch side clearance is recommended for accessing and removing filters. All dimensions in inches and weight in pounds.

Model XID



Model	A	B	C	Weight	Filter Size	Qty.
60-75	22 ¹ / ₈	12	8 ⁷ / ₈	40	10 x 12	1
80-95	45 ⁵ / ₈	15	11 ⁷ / ₈	74	14 x 25	1
100	47 ¹ / ₄	17	13 ³ / ₈	88	16 x 20	2
120	52 ³ / ₁₆	19	15 ⁷ / ₈	114	16 x 25	2
130	46 ³ / ₈	21	17 ¹ / ₈	120	20 x 20	2
140	52 ³ / ₈	23	19 ⁷ / ₈	174	20 x 25	2
160	51 ³ / ₈	26	22 ⁷ / ₈	246	20 x 20	4

Note: 24-inch side clearance is recommended for accessing and removing filters. All dimensions in inches and weight in pounds.

Model Selection Procedure

1. Calculate system pressure drop and cfm requirements. (not including filters)
2. Make a preliminary model size selection.
3. Calculate a filter pressure drop for the preliminary model size selected in step 2 using the equation:

$$P = F \times \left(\frac{\text{cfm}}{10,000} \right)^2$$

4. Add the filter pressure drop (P) to the system pressure drop and make a revised model size selection. Use chart to determine filter factor (F).

Model Size		1 in. Aluminum Filter Factor (F)	1 in. Paper Filters	2 in. Aluminum Filters	2 in. Paper Filters
—	60,65,70,75	186	318.06	251.1	303.18
70,80,90	80,85,90,95	21.8	37.278	29.43	35.534
100	100	8.72	14.9112	11.772	14.2136
120	120	5.58	9.5418	7.533	9.0954
130	130	5.58	9.5418	7.533	9.0954
140	140	3.57	6.1047	4.8195	5.8191
160	160	2.09	3.5739	2.8215	3.4067
180	—	1.34	2.2914	1.809	2.1842
200	—	0.77	1.3167	1.0395	1.2551
240	—	0.41	0.7011	0.5535	0.6683
300	—	0.33	0.5643	0.4455	0.5379
360	—	0.15	0.2565	0.2025	0.2445
420	—	0.13	0.2223	0.1755	0.2119

Note: Table is valid for HP models also.

Inline Fans

Isolators

Complete isolator kits are available with either neoprene or spring isolators and are sized to match the weight of the individual fan sizes.

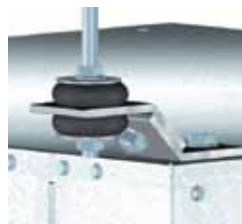
The hanging isolator support brackets are designed to permit mounting the fan with the motor located on top, bottom or side (hanging rods supplied by others). The base isolator support brackets are designed to permit mounting of the fan with the motor located on top or either side.



Hanging Spring Isolator



Standing Neoprene Isolator



Hanging Neoprene Isolator



Standing Spring Isolator

Universal Mounting

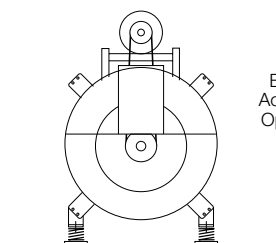
All XTIF fans can be mounted horizontally or vertically. For ease of installation, eight mounting brackets are welded on each fan. The eight brackets along with four mounting supports, provide a universal mounting system.

Fig. 1 Horizontal Base Mount

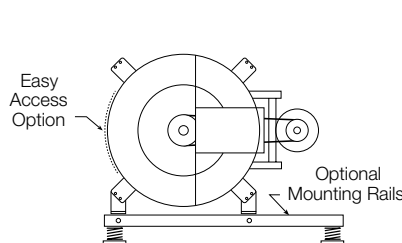
Each fan is shipped as standard in this arrangement. Motor at 12 o'clock is standard.

Fig. 2 Horizontal Base Mount with Motor at 3 or 9 o'clock

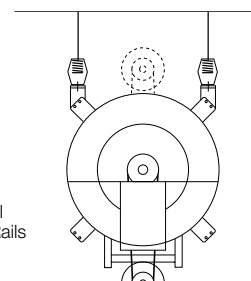
A set of optional mounting rails are required for this installation. This is the base mounting position required with the easy access option.



Horizontal Base Mount
Fig. 1



Horizontal Base Mount
Motor at 3 or 9 o'clock position
Fig. 2



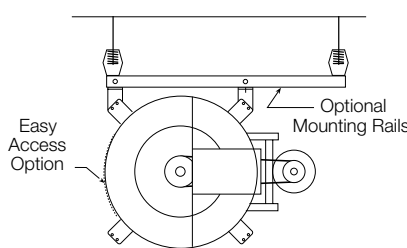
Horizontal Ceiling Hung
Fig. 3

Fig. 3 Horizontal Ceiling Hung

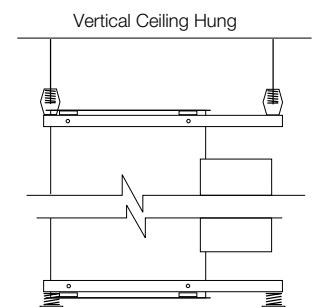
In this installation, the supports can be positioned for mounting the motor at either 6 or 12 o'clock.

Fig. 4 Horizontal Ceiling Hung with Motor at 3 or 9 o'clock

A set of optional mounting rails are required for this installation.



Horizontal Ceiling Hung
Motor at 3 or 9 o'clock position
Fig. 4



Vertical Ceiling Hung
Fig. 5

Fig. 5 Vertical Mount

All XTIF fans can be mounted vertically (ceiling hung or base mounted) for either upward or downward airflow. Optional mounting rails are recommended.

NOTE: All fans are shown with optional vibration isolators. Contact your local Larkin representative for complete dimensional data.

Utility Fans

Overview

Larkin's backward-inclined utility fans have many advantages, including: higher operating efficiencies, a non-overloading horsepower curve and higher pressure capability. All models are licensed to bear the AMCA Air Performance seal (performance as cataloged is assured). You will also receive the following benefits with a Larkin backward-inclined utility fan:

- Performance range: 100 to 45,000 cfm (170 to 76,455 m³/hr)
- Static pressure: Up to 5 in. wg (1,245 Pa)
- Three different levels of construction will meet your exact needs
- Each fan is tested prior to shipment to provide you with smooth, vibration-free operation
- Larkin utility fans are designed, engineered and tested to provide years of dependable service with minimal maintenance



Series 100, 200, and 300 XUEB models are listed for electrical (UL/cUL 705) File no. E40001.

Series 200 and 300 XUEB models are listed for grease removal (UL/cUL 762) File no. MH11745.



* UL is optional and must be specified.



Larkin Industries, Inc., certifies that the model XUEB fans shown herein are licensed to bear the AMCA seal. The ratings shown are based on tests and procedures performed in accordance with AMCA Publication 211 and comply with the requirements of the AMCA Certified Ratings Program.

XUEB Series 100



Larkin's model XUEB Series 100 backward-inclined utility fans are available in ten sizes (106-124) with capacities from 100 to 11,000 cfm (170 to 18,689 m³/hr) and static pressures to 3.0 in. wg (747 Pa).

- Housing and blower scroll are galvanized steel
- Drive frame is coated with Permator™
- Aluminum wheel
- Clockwise and counterclockwise wheel rotation

XUEB Series 200



Larkin's model XUEB Series 200 backward-inclined utility fans are available in 12 sizes (206-224) with capacities from 70 to 13,700 cfm (119 to 23,276 m³/hr) and static pressures to 5 in. wg (1245 Pa).

- Entire fan is constructed of steel and coated with Permator™
- Larger shafts, bearings and increased material thickness
- Steel wheel (sizes 210 and smaller have aluminum wheel)
- Clockwise and counterclockwise wheel rotation

XUEB Series 300



Larkin's model XUEB Series 300 backward-inclined utility fans are available in seven sizes (327-349) with capacities from 4,600 to 45,000 cfm (7,815 to 76,455 m³/hr) and static pressures to 5 in. wg (1245 Pa).

- Housing, blower scroll and weatherhood are painted steel and coated with Permator™
- Features a bolted, reinforced, heavy-gauge galvanized steel drive frame
- Steel or aluminum wheel
- Clockwise and counterclockwise wheel rotation

Standard Construction Features

Finish – All structural steel parts are phosphate treated and coated with Larkin's Permator™ for a long lasting finish. Galvanized construction remains unfinished.

Housing – Constructed of heavy-gauge steel. Series 100 housings are constructed from galvanized steel. Series 200 and 300 fans are constructed of steel and coated with Permator™. They are available in CW or CCW rotation and are field rotatable to the eight standard discharge positions. Housing sides are bonded to the fan scroll with an airtight lock seam.

Housing Supports – Housing supports are constructed of heavy-gauge steel with formed flanges for additional strength.

Mounting Holes – Prepunched mounting holes in the base rails provide for ease of installation.

Drive Frame – Series 100 and 200 are constructed of rugged, welded, and painted steel drive frame members. Series 300 drive frames are constructed of reinforced heavy-gauge galvanized steel. The drive frame supports the shaft and bearings, and provides rigid reinforcement for the housing.

Fasteners – Corrosion-resistant fasteners are used to secure the unit base and blower scroll assembly.

Motor – Heavy-duty ball bearing motors are carefully matched to the fan load. Open drip proof, totally enclosed and explosion-proof enclosures are available.

Motor Plate – A pivoting motor plate with adjusting screws allow for a quick and easy belt adjustment.

Drive Assembly – Sized for a minimum of 150% of driven horsepower. Machined cast iron pulleys are factory set to the required RPM and adjustable for final system balancing for applications with 10 hp motors or less.

Fan Shaft – Precision turned, ground and polished solid steel shafts, are sized so the first critical speed is at least 25% over the maximum operating speed. Stainless steel shafts are available on Series 200 and 300 XUEB's.

Bearings – Heavy-duty, self-aligning pillow block ball bearings, are selected for a minimum L(10) life in excess of 100,000 hours (L(50) average life of 500,000 hours) at maximum cataloged operating conditions.

Wheel – Backward-inclined wheels are constructed of heavy-gauge, single-thickness blades and are securely riveted or welded to a heavy-gauge backplate and wheel cone. Each wheel is statically and dynamically balanced to precise tolerances.

Inlet Cone – The streamlined inlet cone design provides a low-turbulence air intake. This reduces intake losses and sound levels.

Commercial Kitchen (Grease)

Larkin's Series 200 and 300 XUEB's are designed to meet restaurant and food service applications. These fans are UL/cUL Listed for grease removal and have been tested under elevated temperature conditions.

Due to high temperatures and grease-laden airstreams in commercial kitchen ventilation, system designers must be aware of governing codes and guidelines. The National Fire Protection Association (NFPA) is the primary source for many local codes for commercial kitchen ventilation systems. Local code authorities should be consulted before proceeding with any kitchen ventilation project.

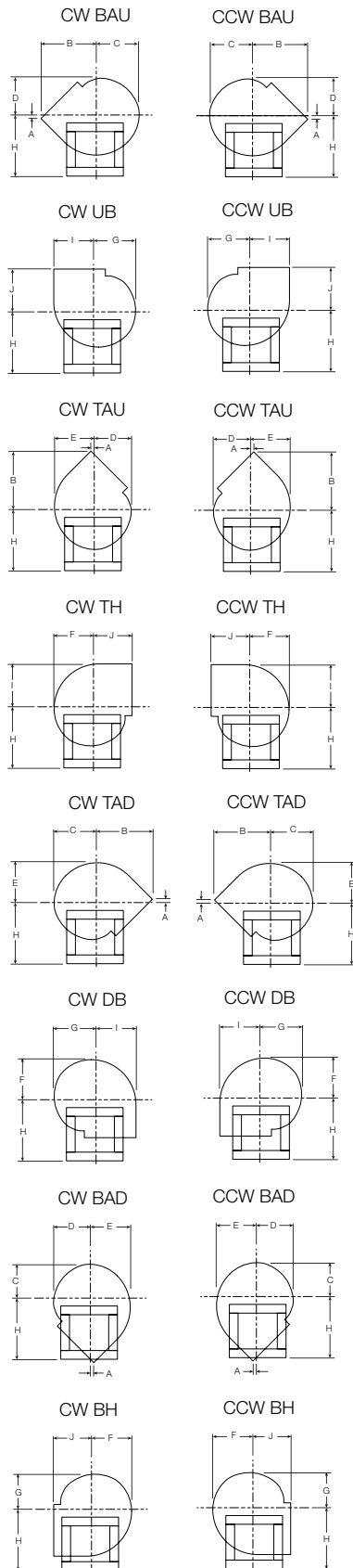
Spark-Resistant Construction

The following AMCA Standards apply to fan applications that may involve the handling of potentially explosive or flammable particles, fumes or vapors.

The constructions listed minimize the potential of ferrous components making contact with each other that may produce sparks, however, they do not guarantee against the potential of producing sparks. The installer must electrically ground all fan and system components.

- **AMCA Type A** - All parts in contact with the airstream are constructed of non-ferrous material (aluminum). Model XUEB does not meet AMCA Type A Spark-Resistant Construction.
- **AMCA Type B** - The fan wheel is constructed of non-ferrous material (aluminum). A non-ferrous (aluminum) rub ring surrounds the fan shaft where it passes through the fan housing. Available on all sizes with an aluminum wheel and rub ring.
- **AMCA Type C** - The inlet cone is constructed of non-ferrous material (aluminum). A non-ferrous (aluminum) rub ring surrounds the fan shaft where it passes through the fan housing. Available on all sizes with an aluminum inlet cone and rub ring.

Utility Fans



Images are viewed from the drive side of fan.

XUEB Size	A	B	C	D	E	F	G	H	I	J
106	1 ¹⁵ / ₁₆ (49)	14 ¹ / ₈ (359)	9 ¹ / ₄ (235)	7 ¹ / ₁₆ (198)	10 ³ / ₄ (273)	10 ¹ / ₈ (257)	8 ⁵ / ₈ (219)	15 ¹ / ₈ (384)	11 ¹ / ₂ (292)	8 ⁵ / ₈ (219)
107	1 ¹⁵ / ₁₆ (49)	14 ¹ / ₈ (359)	9 ¹ / ₄ (235)	7 ¹ / ₁₆ (198)	10 ³ / ₄ (273)	10 ¹ / ₈ (257)	8 ⁵ / ₈ (219)	15 ¹ / ₈ (384)	11 ¹ / ₂ (292)	8 ⁵ / ₈ (219)
108	1 ¹⁵ / ₁₆ (49)	14 ¹ / ₈ (359)	9 ¹ / ₄ (235)	7 ¹ / ₁₆ (198)	10 ³ / ₄ (273)	10 ¹ / ₈ (257)	8 ⁵ / ₈ (219)	15 ¹ / ₈ (384)	11 ¹ / ₂ (292)	8 ⁵ / ₈ (219)
110	1 ¹⁵ / ₁₆ (49)	14 ¹ / ₈ (359)	9 ¹ / ₄ (235)	7 ¹³ / ₁₆ (198)	10 ³ / ₄ (273)	10 ¹ / ₈ (257)	8 ⁵ / ₈ (219)	15 ¹ / ₈ (384)	11 ¹ / ₂ (292)	8 ⁵ / ₈ (219)
113	2 ¹ / ₁₆ (68)	17 ³ / ₈ (448)	11 ³ / ₄ (298)	9 ⁵ / ₈ (251)	13 ³ / ₈ (346)	12 ³ / ₄ (324)	10 ⁷ / ₈ (276)	16 ⁵ / ₈ (422)	14 ⁵ / ₈ (371)	10 ⁵ / ₈ (270)
115	3 ³ / ₈ (79)	19 ¹ / ₂ (495)	13 ¹ / ₁₆ (332)	11 (279)	15 ⁵ / ₈ (384)	14 ⁵ / ₈ (359)	12 ⁵ / ₈ (308)	18 ¹ / ₂ (470)	16 ¹ / ₄ (413)	11 ⁵ / ₈ (295)
116	3 ¹ / ₂ (89)	21 ¹ / ₄ (540)	14 ³ / ₁₆ (364)	12 (305)	16 ⁹ / ₁₆ (406)	15 ¹ / ₂ (394)	13 ¹ / ₄ (337)	20 ³ / ₈ (518)	17 ³ / ₄ (451)	12 ¹ / ₂ (318)
118	4 ¹ / ₁₆ (103)	23 ³ / ₈ (594)	15 ¹³ / ₁₆ (402)	13 ¹ / ₄ (337)	18 ⁵ / ₁₆ (465)	17 ⁵ / ₈ (435)	14 ⁵ / ₈ (371)	22 ³ / ₈ (568)	19 ⁵ / ₈ (498)	13 ³ / ₄ (349)
120	4 ⁹ / ₁₆ (116)	25 ¹ / ₂ (648)	17 ¹ / ₄ (438)	14 ¹ / ₂ (368)	20 ¹ / ₁₆ (510)	18 ³ / ₄ (476)	16 ³ / ₈ (410)	24 ¹ / ₂ (622)	21 ¹ / ₂ (546)	14 ³ / ₈ (378)
124	5 ¹³ / ₁₆ (402)	30 ¹⁵ / ₁₆ (786)	21 ¹ / ₁₆ (535)	17 ³ / ₄ (451)	24 ⁷ / ₁₆ (621)	22 ⁷ / ₈ (581)	19 ⁹ / ₁₆ (497)	31 ¹ / ₂ (800)	26 ¹ / ₄ (667)	17 ³ / ₄ (451)
206	1 ¹⁵ / ₁₆ (49)	14 ¹ / ₈ (359)	9 ¹ / ₄ (235)	7 ¹³ / ₁₆ (198)	10 ³ / ₄ (273)	10 ¹ / ₈ (257)	8 ⁵ / ₈ (219)	15 ¹ / ₈ (384)	11 ¹ / ₂ (292)	8 ⁵ / ₈ (219)
207	1 ¹⁵ / ₁₆ (49)	14 ¹ / ₈ (359)	9 ¹ / ₄ (235)	7 ¹³ / ₁₆ (198)	10 ³ / ₄ (273)	10 ¹ / ₈ (257)	8 ⁵ / ₈ (219)	15 ¹ / ₈ (384)	11 ¹ / ₂ (292)	8 ⁵ / ₈ (219)
208	1 ¹⁵ / ₁₆ (49)	14 ¹ / ₈ (359)	9 ¹ / ₄ (235)	7 ¹³ / ₁₆ (198)	10 ³ / ₄ (273)	10 ¹ / ₈ (257)	8 ⁵ / ₈ (219)	15 ¹ / ₈ (384)	11 ¹ / ₂ (292)	8 ⁵ / ₈ (219)
210	1 ¹⁵ / ₁₆ (49)	14 ¹ / ₈ (359)	9 ¹ / ₄ (235)	7 ¹³ / ₁₆ (198)	10 ³ / ₄ (273)	10 ¹ / ₈ (257)	8 ⁵ / ₈ (219)	15 ¹ / ₈ (384)	11 ¹ / ₂ (292)	8 ⁵ / ₈ (219)
212	2 ⁷ / ₁₆ (59)	16 ³ / ₈ (410)	10 ¹¹ / ₁₆ (271)	9 (229)	12 ³ / ₈ (314)	11 ⁵ / ₈ (295)	9 ¹⁵ / ₁₆ (252)	15 ⁵ / ₈ (384)	13 ¹ / ₄ (337)	9 ³ / ₄ (248)
213	2 ¹ / ₁₆ (68)	17 ³ / ₈ (448)	11 ³ / ₄ (298)	9 ⁵ / ₈ (251)	13 ³ / ₈ (346)	12 ³ / ₄ (324)	10 ⁷ / ₈ (276)	16 ⁵ / ₈ (422)	14 ⁵ / ₈ (371)	10 ⁵ / ₈ (270)
215	3 ³ / ₈ (79)	19 ¹ / ₂ (495)	13 ¹ / ₁₆ (332)	11 (279)	15 ⁵ / ₈ (384)	14 ⁵ / ₈ (359)	12 ⁵ / ₈ (308)	18 ¹ / ₂ (470)	16 ¹ / ₄ (413)	11 ⁵ / ₈ (295)
216	3 ¹ / ₂ (89)	21 ¹ / ₄ (540)	14 ³ / ₁₆ (364)	12 (305)	16 ⁹ / ₁₆ (406)	15 ¹ / ₂ (394)	13 ¹ / ₄ (337)	20 ³ / ₈ (518)	17 ³ / ₄ (451)	12 ¹ / ₂ (318)
218	4 ¹ / ₁₆ (103)	23 ³ / ₈ (594)	15 ¹³ / ₁₆ (402)	13 ¹ / ₄ (337)	18 ⁵ / ₁₆ (465)	17 ⁵ / ₈ (435)	14 ⁵ / ₈ (371)	22 ³ / ₈ (568)	19 ⁵ / ₈ (498)	13 ³ / ₄ (349)
220	4 ⁹ / ₁₆ (116)	25 ¹ / ₂ (648)	17 ¹ / ₄ (438)	14 ¹ / ₂ (368)	20 ¹ / ₁₆ (510)	18 ³ / ₄ (476)	16 ³ / ₈ (410)	24 ¹ / ₂ (622)	21 ¹ / ₂ (546)	14 ³ / ₈ (378)
222	5 ³ / ₁₆ (132)	28 ¹ / ₁₆ (713)	19 ¹ / ₁₆ (484)	16 (406)	22 ¹ / ₈ (562)	20 ⁵ / ₈ (524)	17 ¹¹ / ₁₆ (449)	28 ³ / ₄ (730)	23 ³ / ₄ (603)	16 ¹ / ₄ (413)
224	5 ¹³ / ₁₆ (402)	30 ¹⁵ / ₁₆ (786)	21 ¹ / ₁₆ (535)	17 ³ / ₄ (451)	24 ⁷ / ₁₆ (621)	22 ⁷ / ₈ (581)	19 ⁹ / ₁₆ (497)	31 ¹ / ₂ (800)	26 ¹ / ₄ (667)	17 ³ / ₄ (451)
327	5 ⁵ / ₈ (130)	35 (889)	23 ¹ / ₄ (591)	19 ⁵ / ₈ (498)	26 ³ / ₈ (683)	25 (635)	21 ¹ / ₂ (546)	33 (838)	28 ³ / ₄ (730)	21 ¹ / ₄ (540)
330	5 ³ / ₄ (146)	38 ³ / ₈ (975)	25 ⁵ / ₈ (651)	21 ⁵ / ₈ (549)	29 ¹ / ₄ (756)	27 ³ / ₈ (702)	23 ³ / ₄ (603)	36 ³ / ₈ (930)	31 ⁵ / ₈ (803)	23 ³ / ₈ (587)
333	6 ³ / ₄ (171)	42 ¹ / ₈ (1070)	28 ³ / ₈ (721)	23 ¹³ / ₁₆ (605)	32 ¹³ / ₁₆ (833)	30 ³ / ₁₆ (776)	26 ¹ / ₁₆ (662)	40 (1016)	34 ⁹ / ₁₆ (878)	25 (635)
336	7 ¹³ / ₁₆ (198)	46 ⁵ / ₁₆ (1176)	31 ¹ / ₁₆ (795)	26 ⁵ / ₁₆ (668)	36 ³ / ₁₆ (919)	33 ³ / ₈ (857)	28 ¹³ / ₁₆ (732)	44 ¹ / ₂ (1130)	38 ¹ / ₄ (972)	27 ¹ / ₄ (692)
340	8 ⁷ / ₈ (225)	50 ³ / ₄ (1289)	34 ¹ / ₁₆ (875)	28 ¹⁵ / ₁₆ (735)	39 ¹⁵ / ₁₆ (1014)	37 ³ / ₁₆ (953)	31 ¹¹ / ₁₆ (805)	47 (1194)	42 ³ / ₁₆ (1072)	29 ⁵ / ₈ (752)
344	10 ³ / ₈ (257)	55 ¹⁵ / ₁₆ (1418)	38 (965)	31 ¹⁵ / ₁₆ (811)	44 ¹ / ₁₆ (1119)	41 ¹ / ₁₆ (1043)	35 (889)	52 (1321)	46 ⁵ / ₈ (1184)	32 ⁵ / ₁₆ (821)
349	11 ³ / ₈ (289)	61 ³ / ₁₆ (1554)	41 ³ / ₁₆ (1062)	35 ¹ / ₈ (892)	48 ¹ / ₁₆ (1230)	45 ¹ / ₈ (1146)	38 ³ / ₁₆ (976)	57 (1448)	51 ¹ / ₁₆ (1303)	35 ⁵ / ₁₆ (894)

All dimensions in inches (millimeters).

Options and Accessories

UL/cUL 762 – Series 200 and Series 300 XUEB models are Listed for grease removal. The UL/cUL 762 option includes a weatherhood, threaded drain connection and access door. Indoor mounting requires the fan to have welded scroll construction.

UL/cUL 705 – XUEB Series 200 and 300 models are Listed for electrical.

Weatherhood – Weatherhoods are available to completely cover the motor and drive compartments to protect the shaft, bearings, motor, and drive components from moisture and other adverse conditions. Weatherhoods are vented to provide sufficient motor cooling and are designed to meet OSHA guidelines. Series 300 weatherhoods include an access door.

Drain Connection – Threaded drain connections can be provided to drain moisture from the bottom of the fan housing.

Access Doors – Access doors provide access for inspection and cleaning. Either bolted or hinged quick opening access doors are available. Series 100 fans are only available with bolted access doors.

Welded Scroll Construction – Welded scroll construction is available on Series 200 and 300 XUEB's.

Equipment Supports – Models GESS and GESR equipment supports are available for roof mounting of utility fans. Equipment supports are available in a number of lengths, widths and heights, and can also be built for a pitched roof. Equipment supports are not available on sizes 340-349.

Extended Lube Lines – Lubrication lines with grease fittings are extended from shaft bearings to the base of the drive frame panel or weatherhood for easy bearing lubrication without disassembling the fan.

Inlet & Outlet Guards – Inlet and outlet guards are constructed of expanded metal and mounted in a steel frame to provide protection for non-ducted installations. The guards can be easily removed for maintenance or inspection.



Aluminum Construction – Aluminum airstream option is available on XUEB Series 200.

Coatings – XUEB Series 200 and 300 are available with a wide selection of protective and decorative coatings.

Grease Trap with Drain Connection – Aluminum trap is designed to collect grease residue and avoid drainage onto the roof surface. Disposable grease absorbents are available for easy maintenance.

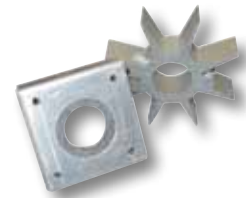
Inlet Vane Dampers – External inlet vane dampers are available on model XUEB fans sizes 112-124 and 212-224. External vanes are mounted on the inlet flange. Inlet vane dampers feature zinc plated steel blade axles, stainless steel washers and bearings. Vanes can be used for either manual or automatic operation, with controls furnished by others. Maximum operating temperature is 200°F (93°C).

Vibration Isolators – Base mounted neoprene or spring isolators are available to lessen mechanical vibration and assure quiet operation. The model XUEB is available with 1/4-inch of deflection neoprene isolators, free-standing isolators, restrained isolators, and housed spring isolators. Isolators are sized to match the weight of each fan.



Flanged Inlet & Outlet – Flanges are available for damper mounting or flanged duct connections. Inlet flanges have prepunched mounting holes. Outlet flanges are bolted-on as standard, but are welded for UL 762 applications.

Heat Slinger & Shaft Seal – The heat slinger is an aluminum cooling disc mounted on the fan shaft between the inboard bearing and the fan housing. The disc dissipates heat that is conducted along the fan shaft. The shaft seal with an aluminum rub ring is available for applications where contaminated or high temperature air is being handled.



Dampers – Gravity or motorized parallel blade backdraft dampers can be provided. These dampers feature sturdy galvanized frames with prepunched mounting holes, aluminum blades with felt edges and a balanced design for minimal resistance to airflow. Backdraft dampers are not suitable for downblast or bottom angular downblast discharge positions. To install a backdraft damper directly to the fan, the fan must be supplied with a flanged outlet. Heavy-duty dampers are available for high-pressure applications on fans with motors equal to or greater than 7½ horsepower.

Disconnect Switches – Assorted NEMA rated disconnect switches are available for positive electrical shutoff and safety when servicing fans.



Wiring Pigtail – Allows direct hook-up to the power supply eliminating field wiring to the fan.

Utility Fans

The following chart displays which options and accessories are available on Larkin's utility fans.

	Series 100	Series 200	Series 300
Options and Accessories			
UL/cUL 762	—	Optional	Optional
UL/cUL 705		Optional	Optional
Weatherhood	Optional	Optional	Optional
Drain Connection	Optional	Optional	Optional
Access Doors	Optional	Optional	Optional
Welded Scroll Construction	—	Optional	Optional
Equipment Supports	Optional	Optional	Optional
Extended Lube Lines	Optional	Optional	Optional
Inlet and Outlet Guards	Optional	Optional	Optional
Aluminum Construction	—	Optional	—
Inlet Vane Dampers	—	Optional	—
Coatings	—	Optional	Optional
Grease Trap with Drain Connection	—	Optional	Optional
Vibration Isolators	Optional	Optional	Optional
Flanged Inlet and Outlet	Optional	Optional	Optional
Heat Slinger and Shaft Seal	Optional	Optional	Optional
Dampers	Optional	Optional	Optional
Disconnect Switches	Optional	Optional	Optional
Wiring Pigtail	Optional	Optional	Optional

Operation Temperature and Construction	Series 100	Series 200		Series 300
	Galvanized	Painted Steel	Aluminum Airstream	Steel
-20° to 200°F (-29°C to 93°C) Standard	X	X	X	X
201° to 300°F (94°C to 149°C) Heat Slinger / Shaft Seal	X	X	—	X
301° to 400°F (149°C to 204°C) Heat Slinger / Shaft Seal	—	X	—	X

Features	High Temperature Option	High Temperature Option with UL
Steel Construction	X	X
Shaft Seal	X	X
Heat Slinger	X	X
Weatherhood	—	X

The maximum continuous operating temperature on the XUEB is 400°F.

Utility Fans

Direct Mounting Option

No base required. Isolators are attached directly to equipment. Direct isolation can be used if equipment is unitary and rigid without the use of additional support. If there is any doubt whether or not equipment can be supported directly on isolators, use rails, bases or consult the factory.

Isolators



Neoprene Mounts Type 2, ¼-in. and ½-in. Deflection

Neoprene mountings consist of a steel top plate and base plate completely embedded in colored (oil-resistant) neoprene for easy identification of capacity. Neoprene mountings are furnished with a tapped hole in the center. This

enables the equipment to be bolted securely to the rubber mount.

Restrained Spring Mounts Type 4A, 1-in. Deflection

Restrained spring isolators consist of laterally stable, free-standing springs assembled into a steel housing. These assemblies are designed for vertical and horizontal motion restraint. Restrained spring isolators can be used for blocking during equipment installation and are provided with leveling bolts. Springs provide 50% overload capacity and are color coded or identified to indicate load capacity. Restrained spring mounts are recommended for equipment subject to wind loading or large torquing forces.

Free-Standing Open Spring Mounts Type 3, 1-in. Deflection

Free-standing spring isolators are unboxed laterally stable steel springs. They provide a minimum horizontal stiffness of 0.8 times the rated vertical stiffness and provide an additional 50% overload capacity. These isolators are equipped with a top mounted adjusting bolt and an acoustical non-skid base. Springs are color coded or identified to indicate load capacity.

Housed Spring Mounts Type 4B, 1-in. Deflection

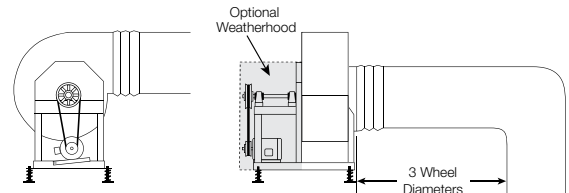
Housed spring isolators consist of steel springs assembled into a telescoping housing with a top mounted adjusting bolt and an acoustical non-skid base. Housed spring isolators include resilient inserts to prevent metal-to-metal contact and provide snubbing for side loads. Springs provide an additional 50% overload capacity and are color coded or identified to indicate load capacity.

Typical Installations

General Clean Air or Fume Hood (Non-Grease)

Larkin's Series 100, 200 and 300 XUEB's are designed for applications ranging from clean air to contaminated air.

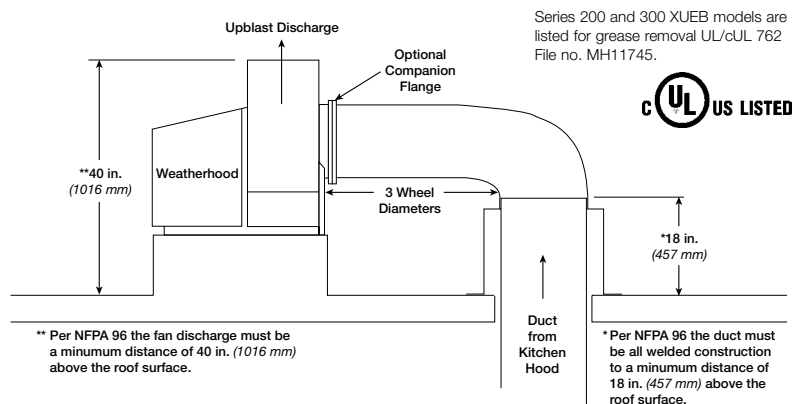
Due to the varying airstreams encountered in commercial ventilation, systems designers must be aware of national, state, and local codes and guidelines, governing these installations.



Commercial Kitchen (Grease)

Installation must include a means for inspecting, cleaning and servicing the exhaust fan.

- Fans selected for grease removal must include a weatherhood, bolted or hinged access door, and a 1-in. (25 mm) drain connection
- For grease applications where the fan is mounted indoors, the welded scroll option must be selected
- An outlet guard is strongly recommended when the fan discharge is accessible
- An upblast discharge is recommended
- The fan must discharge a minimum of 40 inches (1016 mm) above the roof line and the exhaust duct must be fully welded to a distance of 18 inches (457 mm) above the roof surface
- No dampers are to be used in the system



Roof Exhaust Fans

Overview

Larkin's centrifugal roof exhaust fans provide the industry's best performance and durability for general clean air applications. Larkin subjects these products to extensive life testing, assuring you that the fans will provide years of reliable performance. All models are licensed to bear the AMCA Sound and Air Performance seal. You will also receive the following benefits with n Larkin centrifugal roof exhaust fan:

- Broadest performance in the industry, up to 3.25 in. wg (807 Pa) and 45,000 cfm (76,500 m³/hr)
- Most advanced motor cooling of any fan in its class



Larkin Industries, Inc., certifies that the models XREB and XRED fans shown herein are licensed to bear the AMCA seal. The ratings shown are based on tests and procedures performed in accordance with AMCA Publication 211 and Publication 311 and comply with the requirements of the AMCA Certified Ratings Program.



XRED - Direct Drive

Model XRED direct drive centrifugal fans are specifically designed for general clean air roof mounted applications. Ideal for use in short duct runs and low-resistance duct the XRED provides long service with little maintenance. Performance ranges up to 6,308 cfm (10,717 m³/hr) and 1.5 in. wg (374 Pa) with a maximum operating temperature of 130°F (54°C).

XREB - Belt Drive

Model XREB belt drive centrifugal fans are specifically designed for general clean air roof mounted applications. Ideal for use in average length duct runs and average-resistance duct the XREB provides performance flexibility ranging up to 44,700 cfm (75,946 m³/hr) and 3.25 in. wg (810 Pa). The maximum operating temperature is 180°F (82°C).

XREB-HP - Belt Drive

Model XREB-HP belt drive centrifugal fans are specifically designed for general clean air roof mounted applications. Ideal for use in long duct runs and high-resistance duct the XREB provides performance flexibility ranging up to 17,000 cfm (28,883 m³/hr) and 3.25 in. wg (807 Pa). The maximum operating temperature is 180°F (82°C).

Standard Construction Features

Wheel – An aluminum, backward-inclined, non-overloading centrifugal wheel is utilized to generate high-efficiency and minimal sound. Wheel cones are carefully matched to the venturi for maximum efficiency. Each wheel is statically and dynamically balanced, for long life and quiet operation.

Disconnect Switch – NEMA-1 switch is factory mounted and wiring is provided from the motor as standard (other switches are available). All wiring and electrical components comply with the National Electric Codes (NEC) and are either UL/cUL Listed or Recognized.

Internal Conduit Chase – A large diameter conduit for installing electrical wiring through the curb cap into the motor compartment.

Fan Shaft – Precisely sized, ground, and polished so the first critical speed is at least 25% over the maximum operating speed. Close tolerances, where the shaft makes contact with bearings, results in longer bearing life.

Bearings – 100% factory tested and designed specifically for air handling applications with a minimum L(10) life in excess of 100,000 hours [L(50) average life of 500,000 hours].

Motor Cover – Constructed of aluminum. Attached with stainless steel fasteners for easy removal and access to the motor compartment and drive assembly.

Drive Assembly – Belts, pulleys and keys are oversized 150% of driven horsepower. Machined cast pulleys are adjustable for final system balancing. Belts are static-free and oil-resistant.

Motor Cooling – Cooling fins located on top of fan wheel draw outside air through a large space between the fan shroud and the motor cover directly into the motor compartment. Positive motor cooling with fresh air results in maximum motor life.

Vibration Isolation – Vibration isolators support the drive assembly and wheel for long life and quiet operation.

Fan Shroud – One-piece, heavy-gauge aluminum with a rolled bead for additional strength directs exhaust air away from the mounting surface. The curb cap and integral deep spun venturi are attached to the windband and constructed of aluminum to prevent corrosion.

Name Plate – Permanent stamped aluminum plate for exact model and serial number identification.

Mounting Holes – Aluminum curb cap has prepunched mounting holes to ensure correct attachment to the roof.

Galvanized Birdscreen – Rigid wire protects the fan's discharge from birds and small objects. Standard on all sidewall fans.

Curb Cap – Curb cap (with integral deep spun venturi) is constructed of aluminum in one-piece for a weathertight fit.

Lower Windband – Heavy-gauge aluminum with formed edges for added strength and provides weather resistance.

Motor – Carefully matched to the fan load and mounted out of the airstream (XREB only).

Lifting Points – Select models have various lifting points located on the drive frame or bearing plates.

Roof Exhaust Fans

Options and Accessories

EC Motor - Electronically commutated motor is available in three fractional horsepower: 1/4, 1/2, 3/4 and in both 50 and 60 Hz power. Look for VG in the fan model nomenclature.

Speed Controllers for EC Motor

- Motor mounted dial
- Control wire inputs (0-10V)
- Remote mounted dial



Speed Controllers - Available for use with shaded pole and permanent split capacitor (PSC) open motors on model XRED fans. They provide an economical means of system balancing with direct drive fans.



Disconnect Switches - A wide selection of NEMA rated switches are available for positive electrical shutoff and safety, including: dust-tight, rainproof, and corrosion-resistant. Switches may be internally or externally mounted.



Dampers - Designed to prevent outside air from entering back into the building when fan is off. Includes gravity and motorized dampers. Damper sizes are shown on each performance data page.



UL/cUL Listed 705 for Electrical - XREB and XRED
File No. E40001.

Birdscreen - Galvanized mesh is standard, optional aluminum or stainless steel rigid wire are also available.

Coatings - A wide variety of coatings and colors are available.



Primer is applied at the factory to allow for final finish in the field.



Permatector™ is our standard coating. Typically used for applications that require corrosion resistance in indoor and outdoor environments.



Hi-Pro Polyester is resistant to salt water, chemical fumes and moisture in more corrosive atmospheres. Typically used for applications that require superior chemical resistance, excellent abrasion and outdoor UV protection. This coating exceeds protective qualities of Air Dried Heresite and Air Dry Phenolic.



Baked Enamel Decorative Coatings

are heat cured enamels applied either as wet paints or electrostatic powders. Customers can choose from 16 standard decorative colors or color match any color.



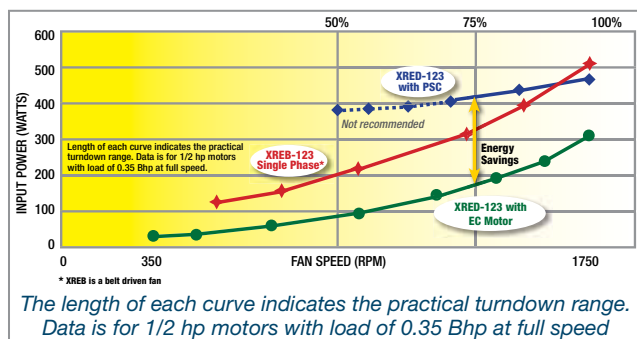
Roof Exhaust Fans

Options and Accessories

EC Motor for model XRED

The electronically commutated DC motor combines motor technology, controllability and energy-efficiency into one single low maintenance unit and is the industry's first fully controllable motor. When combined with Larkin's XRED fans, all the CFM and static pressure ranges of a belt drive can be attained. Features are:

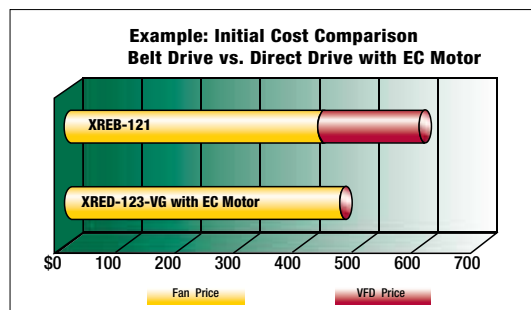
- Operates on AC power that's converted to DC — providing higher efficient motor operation compared to an AC operation.
- The motor can attain up to 87% efficiencies and reduce energy consumption.
- Watt savings of 30-70% depending on RPM.
Note: As motor speed is turned down, efficiency increases as compared to an AC motor with virtually no efficiency gains.
- Runs cooler than a standard AC motor. A cooler running motor has a longer motor life and reduces energy consumption.
- 80% usable turndown vs. 30%
- The EC motor provides an easier solution for variable volume systems and system balancing.



Direct Drive Benefits

Direct drive fans are often preferred for motors where maintenance access is difficult. XRED fans with EC motors can provide all the CFM and static pressure ranges of a comparable belt drive—and since there are no belts or bearings to replace and no pulleys to adjust, maintenance costs are reduced. Other benefits include:

- Compact housing design requires a smaller footprint
- Low vibration
- Suitable for clean air application - no belt or bearing residue in airstream
- Easy Building System Balancing



Constant Volume

Constant volume systems are more limited to applications where heating and cooling loads are constant. A typical application could be a dedicated computer room, where computers run 24 hours a day. Some disadvantages are limited control for comfort zones, high electrical/energy consumption and higher maintenance due to frequent starting and stopping.

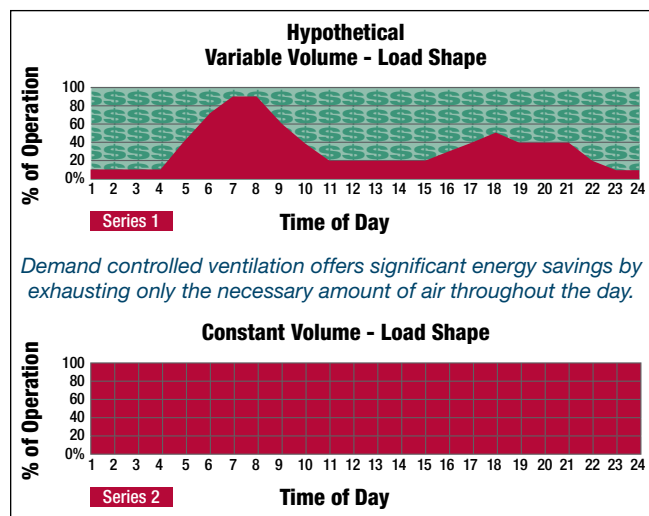
EC Motor Mounted Control

- A potentiometer (speed control dial) is mounted right on the motor for easy speed adjustment for building balance.
- Simply turn a dial instead of adjusting belts and pulleys.

Options and Accessories

Variable Volume

Variable volume or demand ventilation offers significant energy savings by only exhausting conditioned air when necessary throughout a day. This type of application can greatly reduce the operating costs associated with air conditioning and heating. Either a EC motor or standard variable frequency drive (VFD) compatible motor can function within a variable volume system and help reduce energy consumption.



Variable Frequency Drive (VFD Rated)

For applications that require a higher horsepower. A VFD rated/compatible motor will also allow the fan performance to be adjusted. Although a comparable VFD rated motor is not as efficient as the EC motor, it can still assist in system balancing and provide flexibility in adapting to system changes. It can also help reduce energy consumption. The motors meet NEMA Premium efficiencies.

Note: VFD rated motors will need VFD controllers by others and will require start-up programming.

Roof Exhaust Fans

Options and Accessories

Roof Curbs - Prefabricated roof curbs reduce installation time and costs by ensuring compatibility between the fan, the curb and roof opening. All curbs are insulated with fiberglass. A wide variety of roof curbs are available, including: flanged, pitched and sound-absorbing.

Hinged Curb Cap with Cables (Field Installed) - Mounted to the curb cap, allows entire fan to tilt away from curb for access to wheel and ductwork. Includes restraint cables. (Not available for high wind.)

Hinged Base (Factory Mounted) - Allows for easy maintenance. Hinge and restraining cables are factory mounted to a subbase attached directly to curb without additional height added. (Not available for high wind.)

Curb Seal - Rubber seal between fan and curb to assure proper sealing when attached to a curb.

Curb Extensions - Extensions raise the fan discharge above the roofline and provide an accessible mounting location for dampers. Insect screen bases, constructed with a removable fine mesh, are recommended for applications where insect entry must be prevented.

High Wind and Severe Duty Roof Curbs

Provided as optional with models XRED and XREB. The severe-duty roof curb models can ship separately to allow for final finishing of the roof prior to the fan arrival and installation.

Model GPF — This roof curb is specifically designed for high wind applications up to 150 mph (61 psf), used on fan models XRED and XREB. Standard height is 12 inches (305 mm), fully-welded straight sides with a 5-inch flashing flange. GPF is available up to 24 inches (460 mm) in height to meet greater height requirements.

Models SD and SDP — The severe-duty curbs are specifically designed for high wind applications up to 150 mph and used on models XRED and XREB fans. Model SD is for use on flat roofs and model SDP for pitched roofs. They are attached directly to the building structure with extremely high structural design load requirements. Maximum design load is 130 psf. The severe duty curbs are 12 gauge coated steel with a 1¾-inch lip on the top and a 4-inch flange on the bottom. Available heights include 12–24 inches. Heights greater than 18 inches are reinforced in the interior with 12 gauge x 2-inch angles.

Mounting details for the roof curb to the roof substrate and the fan to the curb are illustrated on the following pages and are included with each model XRED and XREB installation manual.

The following chart shows which options and accessories are available on Larkin's roof exhaust fans.

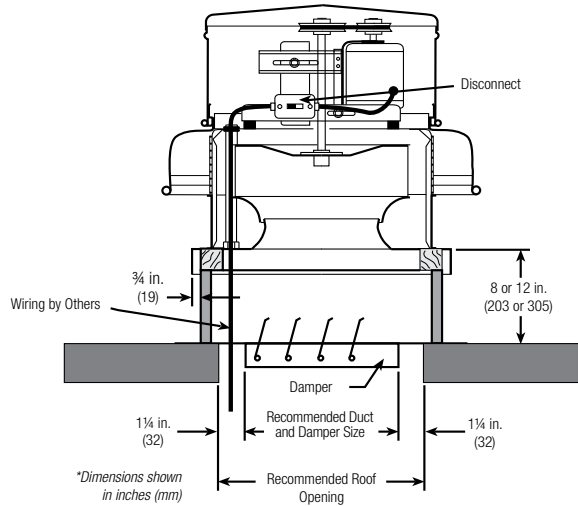
	XREB	XRED
Options and Accessories		
Hinge Kit	Optional	Optional
Roof Curbs	Optional	Optional
Curb Extension	Optional	Optional
Coatings	Optional	Optional
Disconnect Switches	Standard	Standard
Dampers	Optional	Optional
Birdscreen	Standard	Standard
Controls	—	Optional
Curb Seal	Optional	Optional

Roof Exhaust Fans

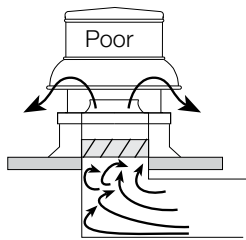
Models XREB and XRED exhaust fans are designed to meet the needs of general clean air applications. Tests were conducted to assure safe, rugged and reliable fans. Due to the varying airstreams encountered in commercial ventilation, system designers must be aware of national, state, and local codes and guidelines governing these installations. Local code authorities should be consulted before proceeding with any ventilation project.

When roofing materials extend to the top of the curb, roof curbs should be 1½ inches (¾ inch on a side) less than the unit curb cap to allow for roofing and flashing.

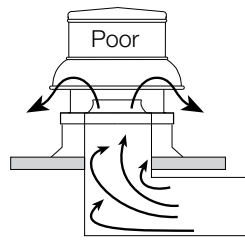
For recommended duct size, damper size and roof opening dimensions, refer to the performance data pages. Installation must include a means for inspecting, cleaning and servicing the exhaust fan.



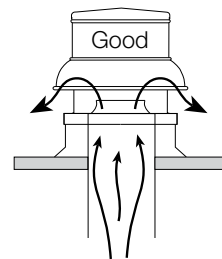
Fan Inlet Connections



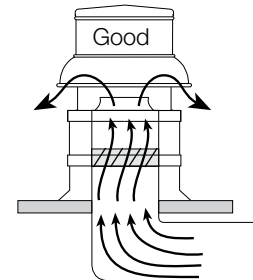
Dampers must open fully. Use motorized dampers in low airflow applications to reduce losses.



Avoid sharp turns or entrance conditions, which cause uneven flow. Use turning vanes in elbows to reduce adverse effects.

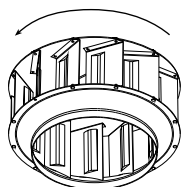


Provide uniform airflow at fan inlet to assure optimum performance.

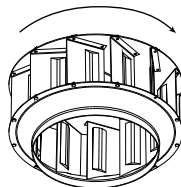


Provide uniform airflow at fan inlet and through the damper to assure optimum performance. The curb cap should be three wheel diameters from the radius. Use turning vanes in duct when possible.

Wheel Rotation



Counterclockwise Airflow



Clockwise Airflow

Direction of rotation is very critical. Rotation in the wrong direction will result in excessive horsepower, possible motor burnout and increased noise levels. Check rotation by energizing the unit only momentarily. The rotation should be clockwise when viewed from the top of the unit and the same as the rotation decals affixed to the unit.

Ceiling and Cabinet Fans

Overview

Great things come in small packages, as do our ceiling fans (model XCR) and cabinet fans (model XIR). Be assured when you buy any Larkin product, you are getting a quality product at a competitive price. We offer one of the most comprehensive ceiling and cabinet exhaust fan lines in the commercial market. In fact, we guarantee our ceiling and cabinet fans with a three (3) year warranty.



You will also receive these additional benefits with a Larkin ceiling and cabinet exhaust fan:

- Low sound and compact size
- Competitive price
- Broadest performance selections in the industry

XCR models are designed for ceiling mounted applications. XIR models are designed for inline remote mounted applications.



* UL is optional and must be specified.

Models XCR and XIR are UL/cUL 507 Listed. Ceiling Exhaust Fans are also UL Listed for above bathtub/shower with GFCI branch protected circuit. File no. E33599.



Products that earn the ENERGY STAR® prevent greenhouse gas emissions by meeting strict energy efficiency guidelines set by the U.S. Environmental Protection Agency and the U.S. Department of Energy.

Fans that are ENERGY STAR® qualified include: XCR-A-50, 70, 90, 200, 250, 290 and 410 XCR-B-50, 70, 80 and 90



Larkin Industries, Inc. certifies that the XCR models shown herein are licensed to bear the AMCA seal. The ratings shown are based on tests and procedures performed in accordance with AMCA Publication 211 and AMCA Publication 311 and comply with the requirements of the AMCA Certified Ratings Program.



Larkin Industries, Inc. certifies that the XIR models shown herein are licensed to bear the AMCA seal. The ratings shown are based on tests and procedures performed in accordance with AMCA Publication 211 and comply with the requirements of the AMCA Certified Ratings Program.

Note: Model XCR and XIR with 50 hertz motors are not AMCA certified or Energy Star® qualified.

Ceiling and Cabinet Fans

XCR-A



The XCR-A is a premium ceiling fan. It is in the top of its class when it comes to meeting sound requirements.

- Sound levels as low as 0.5 sones
- Profile as low as 9 inches (22.8 cm)
- Air volume as high as 1,600 cfm (2,718 m³/hr)
- UL Listed for above bathtub/shower with GFCI branch protected circuit (sizes A390 and smaller)

Standard Construction Features

Spring Loaded Aluminum Backdraft Damper –

Eliminates rattling or unwanted backdrafts

Outlet – Square and round outlets are field rotatable from horizontal to vertical discharge

Power Assembly – Removes quickly for maintenance, or conversion from horizontal to vertical discharge

External Electrical Access – Eliminates removing motor pack, saving installation time

Electrical Knockouts (horizontal or vertical) – Eliminates drilling holes

Acoustic Insulation – Absorbs sound

Disconnect – Servicing is quick and safe

Electrical Junction Box – Large for easy wiring

Attractive Designer Grille – Concealed attachment screws securely fasten grille to housing, for quiet and rattle-free operation

Mounting Brackets – Fully adjustable for multiple installation conditions

Housing – Embossed galvanized steel for rigidity

Motor – All motors are compatible for use with speed controls and have thermal overload protection. Domestic and international applications are available.

- 50 cycle, 220v, and 240v options
- 60 cycle, 115v, 208v, 220v, 230v, and 277v options

Double-Wide Fans – Available for applications requiring 700 cfm or greater. Double-wide fans have two double-width forward-curved wheels, which are housed in separate scrolls and driven by a single motor.

Access Panel – Gain easy access to internal components once installed

XCR-B



The XCR-B is a deluxe ceiling fan compact enough for almost any application. If quiet is what you are after, this fan will accommodate your needs.

- Sound levels as low as 1.2 sones
- Profile as low as 6⁵/₁₆ inches (15.2 cm)
- Air volume as high as 200 cfm (340 m³/hr)
- UL Listed for above bathtub/shower with GFCI branch protected circuit

Standard Construction Features

Aluminum or Plastic Backdraft Damper – Prevents unwanted backdrafts

Round Standard Outlet (6 in.) – Versatile for quick and easy connections

Power Assembly – Removes quickly for maintenance

Electrical Access (vertical) – Eliminates drilling holes

Disconnect – Servicing is quick and safe

Electrical Junction Box – Large for easy wiring

Attractive Designer Grille – Concealed attachment screws securely fasten grille to housing, for quiet and rattle-free operation

Mounting Brackets – Fully adjustable for multiple installation types

Housing – Embossed galvanized steel for rigidity and low profile for height restricted areas

Motor – All motors are compatible for use with speed controls and have thermal overload protection. Domestic and international applications are available.

- 50 cycle, 220v, and 240v options
- 60 cycle, 115v, 208v, 220v, 230v, and 277v options

Access Panel – Gain easy access to internal components once installed

Ceiling and Cabinet Fans



XCR-C

The XCR-C is our economy ceiling fan designed for light commercial applications.

- Sound levels as low as 2.9 sones
- Profile as low as 3⁵/₈ inches (7.6 cm)
- Air volume as high as 50 cfm (85 m³/hr)
- UL Listed

Standard Construction Features

Aluminum or Plastic Backdraft Damper – Prevents unwanted backdrafts

Round Outlet – 3-inch diameter allows quick and easy connections

Power Assembly – Removes quickly for maintenance

Disconnect – Servicing is quick and safe

Decorative Grille – Quickly snaps into place

Mounting Brackets – Adjustable for several installation types

Housing – Galvanized steel for rigidity and low profile for height-restricted areas

Motor – Compatible for use with speed controls. Thermal overload protection.

- 60 cycle, 115v

Access Panel – Gain easy access to internal components once installed



XIR-A

The XIR-A is a premium inline fan. It outperforms the competition and is preferred by specifying engineers.

- Sound levels as low as 0.8 sones
- Profile as low as 9 inches (22.8 cm)
- Air volume as high as 3,800 cfm (6,456 m³/hr)
- UL/cUL Listed

Standard Construction Features

Spring Loaded Aluminum or Plastic Backdraft Damper – Eliminates rattling or unwanted backdrafts

Outlet – Square outlets are field rotatable from horizontal to vertical discharge

Power Assembly – Removes quickly for maintenance, or conversion from horizontal to vertical discharge

External Electrical Access – Eliminates removing motor pack, saving installation time

Electrical Knockouts (horizontal or vertical) – Eliminates drilling holes

Acoustic Insulation – Absorbs sound

Disconnect – Servicing is quick and safe

Electrical Junction Box – Large for easy wiring

Access Panel – Gain easy access to internal components once installed

Mounting Brackets – Fully adjustable for multiple installation conditions

Housing – Embossed galvanized steel for rigidity

Motor – All motors are compatible for use with speed controls and have thermal overload protection. Domestic and international applications are available.

- 50 cycle, 220v, and 240v options
- 60 cycle, 115v, 208v, 220v, 230v, and 277v options

Inlet Duct Collar – Allows for the ductwork to slide over the duct collar to be fastened for faster and easier installation

Double-Wide Fans – Available for applications requiring 700 cfm or greater. Double-wide fans have two double-width forward-curved wheels, which are housed in separate scrolls, and driven by a single motor.

Ceiling and Cabinet Fans

XIR-B



The XIR-B is a compact deluxe inline fan. It is designed to fit in small remote quarters.

- Sound levels as low as 1.5 sones
- Profiles as low as $6\frac{15}{16}$ inches (15.2 cm)
- Air volume as high as 190 cfm (323 m³/hr)
- UL/cUL Listed

Standard Construction Features

Aluminum or Plastic Backdraft Damper – Prevents unwanted backdrafts

Round Standard Outlet (6 in.) – Versatile for quick and easy connections

Power Assembly – Removes quickly for maintenance

Electrical Access (vertical) – Eliminates drilling holes

Disconnect – Servicing is quick and safe

Electrical Junction Box – Large for easy wiring

Mounting Brackets – Fully adjustable for multiple installation types

Housing – Embossed galvanized steel for rigidity and low profile for height-restricted areas

Motor – All motors are compatible for use with speed controls and have thermal overload protection. Domestic and international applications are available.

- 50 cycle, 220v, and 240v options
- 60 cycle, 115v, 208v, 220v, 230v, and 277v options

Inlet Duct Collar – Allows for the ductwork to slide over the duct collar to be fastened for faster and easier installation

Access Panel – Gain easy access to internal components once installed

Ceiling and Cabinet Fans

Options and Accessories

Grille Options

Designer - Standard grille
Decorative - Lighted and non-lighted
Aluminum - White enamel finish
Stainless Steel - Polished stainless steel finish

Round Duct Connection

Standard - Sizes A50, A70, and A90



Round Duct Adapter

Optional - Sizes A110 through A510

Vertical Discharge

Exhaust outlet duct may be installed in the optional vertical position. The power assembly must be rotated to match the duct adapter position.

Wheel Options

Models XCR and XIR deliver high performance from a forward-curved wheels that offer both high-efficiency and low sound. Fan wheels are constructed of polypropylene or steel as standard, and all models offer an aluminum wheel option.



- Level A models utilize steel or polypropylene wheel construction depending on size.
- Level B models are standard with a polypropylene wheel.

Light Options

Larkin's fan/light combination includes a prismatic or frosted lens, and compact fluorescent or incandescent lamps. Our unique light box is manufactured with a reflective material to increase the light given off by either type of lamp. *UL Listed for above bathtub/showers with GFCI branch protected circuit.*

Available on XCR-A Sizes 50 - 390, XCR-B Sizes 50-200.

Prismatic Lens



The prismatic lens design provides approximately 25% more light than a traditional frosted lens. The lens may be easily removed to replace light bulbs.

Frosted Lens



The frosted lens option is a traditional design which lets approximately 80% of light through the lens. The lens may be easily removed to replace light bulbs.

Compact Fluorescent Lamps (CFL)



- GU24 Base
- 10,000 hour average rated life
- Complies with UL 1993 End-of-Life requirements
- Replacement bulbs can be found wherever standard light bulbs and fixtures are sold. Energy efficient ENERGY STAR® qualified fixtures.
- California Energy Title 24 compliant

Incandescent Lamps



- Dimmable
- Reflective light box
- Low first-cost light
- One bulb provides up to 100 watts of light (by others)

Customized grille options

Molded polystyrene available in an array of colors. Includes all the same accessory options as the standard grilles.

Double-Wide Fans

Available for applications requiring 700 cfm or greater. Double-wide fans have two double-width forward-curved wheels, which are housed in separate scrolls, and driven by a single motor.

Contractor 4 Paks

Save installation time and labor by installing the housing first, then installing the internal components after the sheetrocking, plastering and finishing is done.



- Housings are packaged in one box, power assembly and grille are packaged in another box
- Components are shipped to coincide with the phase of your project

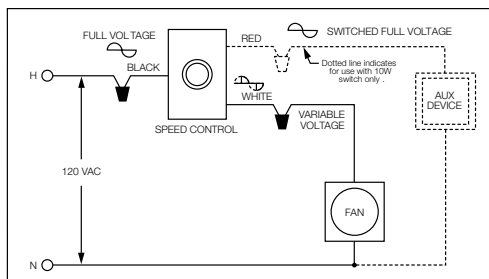
Exclusive Electrical Wiring Feature

Larkin XCR-A models are the only fans of this type with an electrical access cover located on the housing exterior. This feature permits external wiring without removing the power assembly, saving installation time and cost.

Ceiling and Cabinet Fans

Speed Controls

Speed controls may be used on model XCR and XIR fans for manual adjustment of the fan's performance (for final system balancing) or to control the fan's output in confined spaces, such as conference or meeting rooms. The fan can be adjusted to 60% of design airflow with a speed control. This reduction in airflow and fan speed is also accompanied by a reduction in noise level. Solid state speed controls are available for a range of applications up to 15 amps. Speed controls can be used to operate more than one fan if the combined total amperage of the fans does not exceed the control rating.



Model 5WSSC – For use with shaded pole and PSC motors. Available shipped loose or mounted internal or external.

- Rated for 115 - 127v, 5 amp
- UL Listed
- Requires a 2x4 handy box

Model 5W240 – For use with shaded pole and PSC motors. Available shipped loose or mounted internal or external.

- Rated for 220 - 240v, 5 amp
- UL Listed
- Requires 2x4 handy box

Model 5W277 – For use with shaded pole and PSC motors. Available shipped loose or mounted internal or external.

- Rated for 277v, 5 amp
- UL Listed
- Requires 2x4 handy box

Model 8WSSC – For use with shaded pole and PSC motors. Available shipped loose or mounted internal or external.

- Rated for 220 - 240v, 8 amp
- UL Listed
- Requires 2x4 handy box

Model 10WSSC – For use with shaded pole and PSC motors. Available shipped loose or mounted internal or external.

- Rated for 115 - 127v, 10 amp
- UL Listed
- Requires 4x4 handy box

Model 15WSSC – For use with shaded pole and PSC motors. Available shipped loose or mounted internal or external.

- Rated for 115 - 127v, 15 amp
- UL Listed
- Requires 4x4 handy box

Switches

Switches may be used on models XCR and XIR fans to enable manual control of your fan or fan/light combination. There are several options to fit your application.



NEMA-1 – Single pole rocker switch assembly.

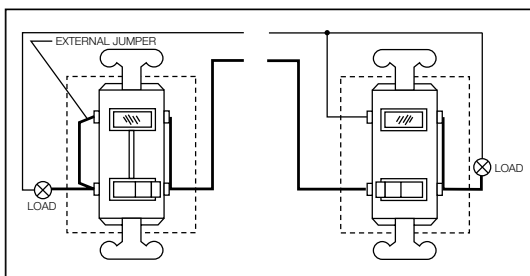
- Rated for 115v, 15 amp, 1/2 hp
- UL Listed

Model MS-16 – Single pole rocker switch assembly with cover and pilot light.

- Rated for 115v, 15 amp, 1/2 hp
- UL Listed

NEMA-1 – Two pole rocker switch assembly.

- Rated for 220/230/240/277v, 20 amp, 2 hp
- UL Listed
- Requires a 2x4 handy box



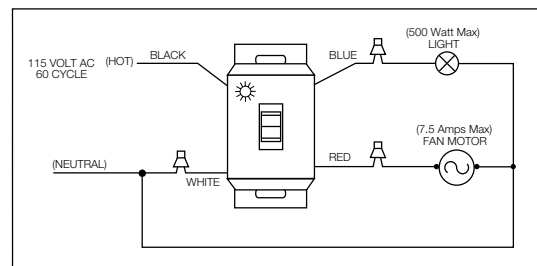
Time Delay Switch

Time delay switches save energy by automatically turning off equipment. They may be used with models XCR and XIR fans and fan/light combinations, for extended operating time of fan. Time delay switches act in the same manner as a standard switch, however, there is a delay of 1 to 60 minutes after the switch has been turned off.



Model GTD – Single-switch controls both fan and light. Available shipped loose.

- Silent operation
- UL Listed
- Rated for 115v
- Requires 2x4 handy box



Ceiling and Cabinet Fans

Motion Detectors

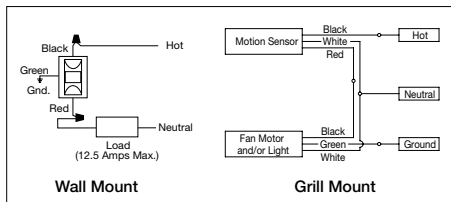
Motion detectors may be used with models XCR and XIR fans, or fan and light combinations. Motion detectors use a passive infrared motion detector that will automatically turn on the fan when motion is sensed. They have a viewing area of 180 degrees, however, they must be placed in the line-of-sight. They also have an adjustable time delay shutoff setting of 1 to 20 minutes.

Grille Motion Detectors are available on models up through size XCR-A390 and XCR-B200.

- Rated for 115v
- UL Listed

Model MDW - For use on fan or lights. Available shipped loose.

- Rated for 115v
- UL Listed
- Requires 2x4 handy box



Transformers

Transformers are available for applications requiring voltage reduction. Selection is based on motor amperage. All transformers are shipped loose.



Model T-2.0 – UL Listed

- Rated for 230/277v to 115, 2 amps

Model T-4.3 – UL Listed

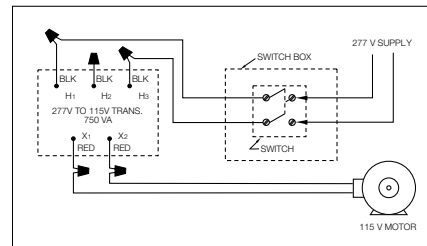
- Rated for 230/277v to 115, 4.3 amps

Model T-6.5 – UL Listed

- Rated for 230/277v to 115, 6.5 amps

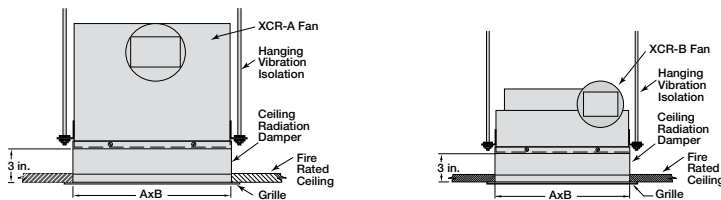
Model T-8.6 – UL Listed

- Rated for 230/277v to 115, 8.6 amps



Ceiling Radiation Dampers

The Larkin XCR-A and XCR-B ceiling radiation dampers are UL Classified, rated at three to four hours fire resistance, and are available on all XCR-A and XCR-B fans and fan/light combinations. This design saves space by allowing the damper to mount directly beneath the fan.



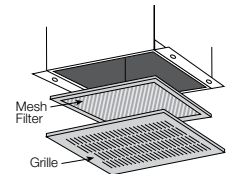
XCR Model	CRD	Length	Width	Height
A50 - A190	310	13½	11⅞	3
B50 - B200	320	14⅞	12¼	3
A200 - A390				
A410 - A510	350	18⅞	14⅞	3
A710 - A780				
A700	700	24⅞	12¼	3
A900 - A1550	360	24⅞	14⅞	3

All dimensions shown in inches. Add an "L" to all CRD models if fan & light combo is used.

Filters

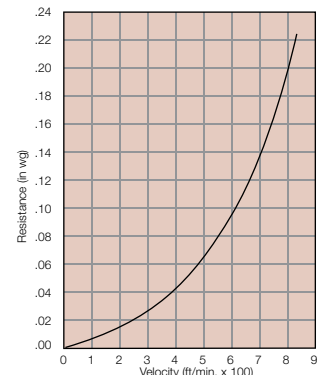
Fans used in most applications, even where air is not excessively dirty, will collect airborne dirt on wheels and motors over time. Accumulations of dirt on the fan wheel will sharply reduce performance and cause imbalance. Dirt buildup on the motor can cause it to overheat. All of these conditions will shorten the life of the fan. To help reduce this accumulation, washable aluminum mesh filters are available to trap dirt before it enters the fan.

These filters should be regularly cleaned to maintain performance. The Filter Loss Chart shows the effect the filter will have on performance. To determine the added resistance, divide the desired cfm by the filter area (ft²). This will give ft/min. Use this with the filter loss chart to get the added resistance. In addition to reducing dirt accumulations on the motor and wheel, filters also reduce sound levels.



XCR Model	Filter Model		Filter Area (ft²)
	Designer Grill	*Metal Grille	
A50 - A190	F-200	F-210	.620
B50 - B200	F-200	F-220	.785
A200 - A390			
A410 - A510	NA	F-250	1.319
A710 - A780			
A900 - A155	NA	F-260	1.797

*Aluminium or Stainless Steel Grille.



Ceiling and Cabinet Fans

The following chart shows which options and accessories are available on Larkin's ceiling and cabinet fans.

Options and Accessories	XCR-A	XCR-B	XCR-C	XIR-A	XIR-B
Grille Options	Standard	Standard	—	—	—
Electrical Wiring Feature	Standard	—	—	Standard	—
Vertical Discharge	Optional	—	—	Optional	—
Double-Wide Fans	Optional	—	—	Optional	—
Contractor 4 Paks	—	Optional	—	—	—
Light Options					
Prismatic Lens	Optional	Optional	—	—	—
Compact Fluorescent Lens	Optional	Optional	—	—	—
Frosted Lens	Optional	Optional	—	—	—
Incandescent Lamps	Optional	Optional	—	—	—
Speed Controls					
Model 5WSSC	Optional	Optional	Optional	Optional	Optional
Model 5W240	Optional	Optional	—	Optional	Optional
Model 5W277	Optional	Optional	—	Optional	Optional
Model 8WSSC	Optional	Optional	—	Optional	Optional
Model 10WSSC	Optional	Optional	Optional	Optional	Optional
Model 15WSSC	Optional	Optional	Optional	Optional	Optional
Switches					
NEMA-1	Optional	Optional	—	Optional	Optional
Model MS-16	Optional	Optional	—	Optional	Optional
Time Delay Switch					
Model GTD	Optional	Optional	—	Optional	Optional
Motion Detectors					
Model MDW	Optional	Optional	—	Optional	Optional
Transformers					
Model T-2.0	Optional	Optional	Optional	Optional	Optional
Model T-4.3	Optional	Optional	Optional	Optional	Optional
Model T-6.5	Optional	Optional	Optional	Optional	Optional
Model T-8.6	Optional	Optional	Optional	Optional	Optional
Dampers					
Ceiling Radiation Damper	Optional	Optional	—	—	—
Filters					
Filters	Optional	Optional	—	—	—
Wall Discharge					
6 x 4 Transition Duct Reducer	Optional	Optional	—	Optional	—
Model WC (Round Connection)	Optional	Optional	Optional	Optional	Optional
Model WC (Square/Rect. Connection)	Optional	Optional	Optional	Optional	Optional
Model WL	Optional	Optional	Optional	Optional	Optional
Model BVE	Optional	Optional	Optional	Optional	Optional
Model RDC	Optional	Optional	Optional	Optional	Optional
Roof Discharge Accessories					
Model RJ (Pitched Roof Curb)	Optional	Optional	Optional	Optional	Optional
Model RCC-7	Optional	Optional	Optional	Optional	Optional
Model GRS	Optional	Optional	Optional	Optional	Optional
Model RFC-7	Optional	Optional	Optional	Optional	Optional
Model GRSF	Optional	Optional	Optional	Optional	Optional
Hanging Vibration Isolators	Optional	Optional	Optional	Optional	Optional

Duct Fans

Overview

Larkin's belt drive duct fans, model XIFB, provide the industry's best performance and durability. Model XIFB is carefully engineered for efficiency and reliability in supply, exhaust, and return air applications. The XIFB is designed specifically for low sound levels in ducted applications.

- Performance ranges from 400 to 17,000 cfm (680 to 28,883 m³/hr) with static pressure up to 3.0 in. wg (745 Pa)
- Available in seven sizes ranging from 80 to 200
- All models are licensed to bear the AMCA Sound and Air Performance seal. Performance as cataloged is assured.
- Removable access panels provide easy access for service
- Rugged drive frame configuration
- Vibration isolation, assures long life and quiet operation
- UL Listed
- Larkin subjects these products to extensive life testing, assuring the fans will provide many years of reliable performance



* UL is optional and must be specified.



Larkin Industries, Inc., certifies that the models XIFB fans shown herein are licensed to bear the AMCA seal. The ratings shown are based on tests and procedures performed in accordance with AMCA Publication 211 and Publication 311 and comply with the requirements of the AMCA Certified Ratings Program.

Duct Fans

Standard Construction Features

Vibration Isolation - Internal isolators support the entire drive assembly, wheel, and scroll to provide long life and quiet operation.

Housing - The fan cabinet is constructed of galvanized steel for corrosion resistance and maintenance free operation.

Bearings - Permanently sealed, pillow block ball bearings are selected for a minimum L(10) life in excess of 100,000 hours [L(50) average life of 500,000 hours] at maximum catalogued operating conditions.

Duct Collars - Inlet and outlet duct collars are provided for easy duct connections.

Motor - Ball bearing motors are carefully matched to the fan load and receive the cooling benefits of being in the airstream for increased motor life.

Wheel - Forward-curved, centrifugal, galvanized steel wheel is utilized to generate high efficiency and minimal sound. Each wheel is statically and dynamically balanced for long life and quiet operation.

Drive Frame - Heavy duty frame supports motor, scroll, and wheel to provide long life and durability.

Drive Assembly - Belts, pulleys and keys are sized for a minimum of 150% of driven horsepower. Machined cast iron pulleys are factory set to the required RPM and adjustable for final system balancing. Belts are static free and oil resistant.

Name Plate - Permanent stamped aluminum name plate for model and serial identification.

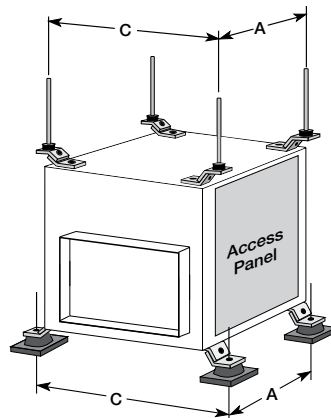
Multi Discharge Positions - Where space between duct and ceiling is a premium, bottom horizontal and top horizontal discharge positions are available for easy installation.

Access Panels - Two side panels are removable for inspection or servicing. Removal of either side panel, gives easy access to all the fans internal parts.

Typical Installations

All XIFB fans have been designed to be mounted horizontally. For ease of installation, knockouts are provided at each location where mounting brackets are shown. Universally adjustable brackets are available to mount the fan in hanging or base mounted positions.

In order to assure proper fan performance, caution must be exercised in fan placement and connection. Obstructions, transitions, poorly designed elbows, etc., can cause reduced performance, excessive noise, and increase mechanical stress. For performance to be as published, the system must provide uniform and stable airflow into the fan.



XIFB Size	A	C
80	20 ³ / ₄ (527)	22 ¹¹ / ₁₆ (576)
90	21 ³ / ₄ (552)	25 ⁵ / ₈ (651)
100	23 ³ / ₄ (603)	27 ¹ / ₈ (689)
120	30 ¹ / ₂ (775)	31 ⁵ / ₈ (803)
150	32 (813)	35 (889)
180	37 ³ / ₈ (949)	44 (1118)
200	47 ³ / ₈ (1203)	51 ¹ / ₂ (1308)

All dimensions shown in inches (mm).

Duct Fans

Options and Accessories

Sloped Filter Boxes - The double-vee configuration constructed of galvanized steel. Filters are available in 1 or 2-inch pleated disposable media or permanent washable aluminum mesh. Side access panels are standard for easy maintenance.

Multi Discharge Positions - XIFB fans have been designed for horizontal mounting and are standard with bottom horizontal discharge. Optional top horizontal discharge is also available.

Disconnect Switches - A wide selection of NEMA rated switches are available for positive electrical shutoff and safety. This includes general, dust-tight, rainproof, and corrosion-resistant.



Wiring Pigtail - Allows direct hook-up to the power supply externally eliminating field wiring at the fan.

Coatings - A wide variety of protective or decorative coatings are available. Consult your Larkin representative for in-depth information.

Vibration Isolators - Base and hanging isolator kits are available with either neoprene or spring isolators. Kits range in size to support either the weight of the fan alone or the weight of the fan with filter and mixing box combinations. Kits are for horizontal mounting and include mounting brackets and hardware. Knockouts are provided in the fan cabinet for ease of installation. (Hanging rods supplied by others.)

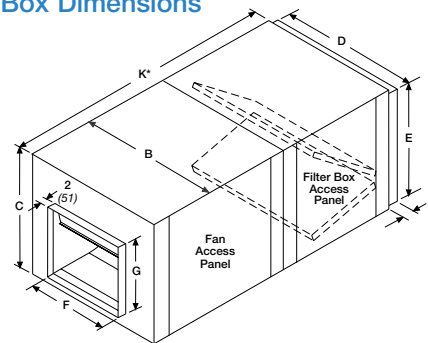


Insulated Housing - For noise reduction and condensation control, the interior of fan housing and filter box can be lined with a fiberglass duct liner. The duct liner can be utilized to reduce radiated noise from fan housings. It is recommended for applications when fans are placed in acoustically sensitive locations. The duct liner also reduces the noise radiation from the inlet and outlet of the fan. The accompanying table depicts the reduction that can be obtained in each octave band.

Approximate (%) Sound Attenuation									
Octave Band	1	2	3	4	5	6	7	8	Sones
*Lined Housing	-3	-2	-3	-3	-5	-5	-5	-4	13%

*Lined Housing shows the reduction that can be obtained in each octave band.

Filter Box Dimensions



XIFB Size	*K	B	C	D	E	F	G	H	Filter Size	Qty.
80	49 ³ / ₄ (1264)	18 ¹ / ₂ (470)	15 ⁷ / ₈ (403)	15 ³ / ₁₆ (386)	12 ¹¹ / ₁₆ (322)	9 ³ / ₄ (248)	8 ⁷ / ₈ (225)	1 (25)	16 x 20 (406 x 508)	2
90	54 ⁷ / ₈ (1394)	21 ¹ / ₄ (540)	18 ³ / ₄ (476)	18 ¹ / ₄ (464)	15 ⁷ / ₈ (403)	12 ¹ / ₄ (311)	10 ¹ / ₂ (267)	1 (25)	20 x 25 (508 x 635)	2
100	51 ⁷ / ₈ (1318)	22 ³ / ₄ (578)	20 ³ / ₄ (527)	19 ³ / ₄ (502)	17 ⁷ / ₈ (454)	13 ³ / ₄ (349)	11 ⁷ / ₈ (302)	1 (25)	20 x 20 (508 x 508)	2
120	63 ⁹ / ₁₆ (1614)	27 ¹ / ₄ (692)	22 ³ / ₄ (578)	24 ¹ / ₈ (613)	19 ⁷ / ₈ (505)	16 (406)	13 ³ / ₈ (340)	1 ¹ / ₂ (38)	12 x 25 (533 x 635)	4
150	62 ¹ / ₁₆ (1576)	32 ⁵ / ₈ (829)	27 ³ / ₄ (705)	28 ⁵ / ₈ (727)	23 ⁷ / ₈ (604)	19 ¹ / ₈ (486)	16 ³ / ₈ (416)	1 (25)	16 x 20 (406 x 508)	8
180	75 ³ / ₈ (1915)	41 ³ / ₄ (1060)	31 ³ / ₄ (806)	37 ¹ / ₂ (953)	27 ⁷ / ₈ (708)	22 ¹ / ₂ (572)	18 ⁷ / ₈ (479)	1 ¹ / ₂ (38)	20 x 25 (508 x 635)	6
200	85 ¹ / ₄ (2165)	49 ¹ / ₄ (1251)	39 ³ / ₄ (1010)	48 ¹ / ₈ (1222)	36 (914)	23 ¹ / ₈ (587)	25 ¹ / ₄ (641)	1 ¹ / ₂ (38)	16 x 25 (406 x 635)	12

*K is length of fan and filter box combined. All dimensions in inches (mm).

Options and Accessories	XIFB
Sloped Filter Boxes	Optional
Multi Discharge Positions	Optional
Disconnect Switches	Optional
Wiring Pigtail	Optional
Coatings	Optional
Insulated Housing	Standard
Vibration Isolators	Optional

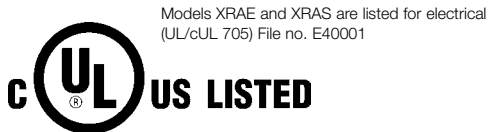
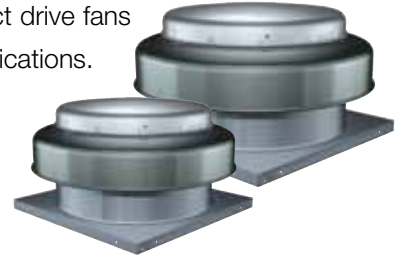
Axial Fans

Overview

Larkin's models XRAE (axial exhaust) and XRAS (axial supply) spun aluminum direct drive fans are designed for economy and reliability solutions in low pressure/low volume applications.

Typical applications include general commercial clean air ventilation.

- Performance capabilities up to 6,000 cfm (10,200 m³/hr) and up to 1.0 in. wg (250 Pa) of static pressure.
- Seven fan sizes are available from 10 to 24 in. (254 to 610 mm) propeller diameter.
- UL Listed for electrical.
- Performance as cataloged is assured. All models are licensed to bear the AMCA Sound and Air Performance seals.
- Larkin subjects these products to extensive life testing, assuring you the fans will provide years of reliable performance.



Larkin Industries, Inc. certifies that the models XRAE and XRAS fans shown herein are licensed to bear the AMCA seal. The ratings shown are based on tests and procedures performed in accordance with AMCA Publication 211 and AMCA Publication 311 and comply with the requirements of the AMCA Certified Ratings Program.

Axial Fans

Standard Construction Features

Propeller – Fabricated aluminum propeller with steeply pitched blade designed for low rpm, which generates low sound levels. Each propeller is statically and dynamically balanced for long life and quiet operation.

Switch – NEMA-1 switch is factory mounted and wiring is provided from the motor as standard (other switches are available). All wiring and electrical components comply with the National Electric Codes (NEC) and are either UL Listed or Recognized.

Motor – Carefully matched to the fan load and is mounted in the airstream. All motors are compatible with speed controller except “A” speed motors on the size 20.

Motor Cover – Constructed of aluminum and attached with stainless steel hardware for easy removal and access to motor.

Fan Shroud – One-piece, heavy-gauge aluminum with a rolled bead for extra strength.

Shroud Braces – Adds structural integrity to the shroud.

Vibration Isolation – Vibration isolators support the motor and propeller for long life and quiet operation.

Internal Conduit Chase – A large diameter conduit for installing electrical wiring through the curb cap into the motor compartment.

Curb Cap – Curb cap and integral deep spun venturi inlet are constructed of aluminum to prevent corrosion. Curb cap has 5/16 in. (8 mm) prepunched mounting holes to ensure correct attachment to the roof.

Name Plate – Permanent stamped aluminum plate for exact model and serial number identification.

Galvanized Birdscreen – 1/2 inch square galvanized rigid wire mesh protects the fan’s discharge from birds or small objects.

Lower Windband – Heavy-gauge aluminum with formed edges for added strength and weather resistance.

UL/cUL Listed 705 for Electrical - XRAE and XRAS File No. E40001.

Typical Installation

Model XRAE and XRAS fans are designed to meet the needs of general clean air applications. Tests were conducted to assure safe, rugged and reliable operation.

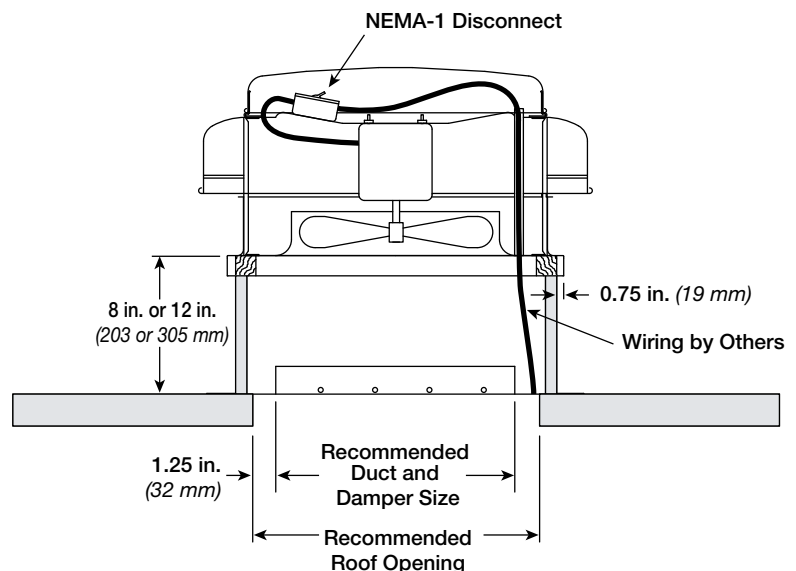
Due to the varying airstreams encountered in commercial ventilation, system designers must be aware of national, state and local codes and guidelines governing these installations. Local code authorities should be consulted before proceeding with any ventilation project.

Internal conduit chase provides means for electrical service connection through fan housing.

When roofing materials extend to the top of the curb, roof curbs should be 1½ inches (¾ inch on a side) less than the unit curb cap to allow for roofing and flashing.

For recommended damper size and roof opening dimensions, refer to the dimensional data on pages 240 and 242.

Installation must include a means for inspecting, cleaning and servicing the fan.



Options and Accessories

Roof Curbs – Prefabricated roof curbs reduce installation time and costs by ensuring compatibility between the fan, curb and roof opening. All curbs are insulated with fiberglass. A wide variety of roof curbs are available including: flanged, pitched and sound-absorbing.

Curb Extension – Extensions raise the fan discharge above the roof line and provide an accessible mounting location for dampers. Insect screen bases, constructed with a removable fine mesh, and recommended for applications where insect entry must be prevented.

Coatings – Wide variety of coatings and colors are available.

Disconnect Switches – A wide selection of NEMA rated switches are available for positive electrical shut off and safety, including: dust-tight, rainproof, and corrosion-resistant. Switches may be internally or externally mounted.



Dampers – Designed to prevent outside air from entering back into the building when fan is off. Includes: gravity and motorized dampers.

Birdscreen – Galvanized mesh is standard. Optional aluminum or stainless steel rigid wire is also available.

Speed Controllers – Available for use with shaded pole and permanent split capacitor (PSC) open motors on model XRAE and XRAS fans. They provide an economical means of system balancing with direct drive fans.



The chart below shows which options and accessories are available on Larkin's roof mounted axial fans.

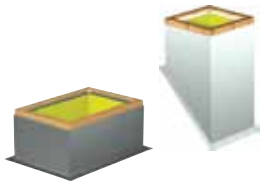
	XRAE	XRAS
Options and Accessories		
Roof Curbs	Optional	Optional
Curb Extension	Optional	Optional
Coatings	Optional	Optional
Disconnect Switches	Standard	Standard
Dampers	Optional	Optional
Birdscreen	Standard	Standard
Speed Controllers	Optional	Optional

Roof Curbs, Equipment Supports and Curb Extensions

Overview

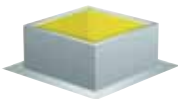
Larkin offers prefabricated roof curbs, which reduce installation time and costs by ensuring compatibility between the fan, curb and roof opening. A wide variety of roof curbs are available, including: flanged, straight-sided, canted, pitched, ridged, vented, and sound-absorbing.

Extensions raise the fan's discharge and can provide an accessible mounting location for dampers. Insect screen bases and vented extensions are also available.



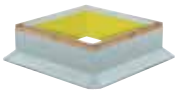
Models GPI, GPIP and GPIR

These curbs are designed for roof decks that are covered with 2 to 6 inches of insulation. Models GPI, GPIP and GPIR are standard with fully welded construction, wood nailer, 1-inch insulation and 2-inch flashing flange. Model GPI is for use on flat roofs, GPIP for pitched roofs and GPIR is available for ridged (double pitched) roofs. Models are available in heights of 12 to 24 inches.



Models GPF, GPFP and GPFR

These curbs are designed for non-insulated roof decks and are standard with fully welded construction and 1-inch insulation. Model GPF is for flat roofs, GPFP is for pitched roofs and GPFR is available for ridged (double pitched) roofs. Models are available in heights of 8 to 24 inches.



Model GPS, GPR

This curb is designed for use on flat, non-insulated roof decks. It consists of a fully welded body and 1-inch of insulation. Model GPS is available in heights of 8 inches to 18 inches. Raised cant is available on model GPR.



Model GPFV

The GPFV vented roof curb is typically used for kitchen applications, where the vents allow hot air and gases to escape between the ductwork and roof curb. This curb is designed for use with Larkin's model XRUB, XRUBS or XRUD fan to provide the required 40 inch minimum discharge height above the roof line (per NFPA 96). This curb is to be used on non-insulated flat roof decks.

Options and Accessories

- Damper Trays
- Insulation (All except GPE, VCE and GPFV)
- Step for Insulation (GPR only - up to 6 in.)
- Double Shell Construction (All except GPE)
- Single Pitch (GPI and GPF)
- Ridge Mount (GPI and GPF)

Roof Type/Application	Description	Model and Service
Flat, insulated or non-insulated roof decks	Welded, straight-sided construction with rigid fiberglass insulation and 2 in. mounting flange	GPI - Galvanized 12-in. high, with or without damper tray, square sizes for stock fans
Flat, pitched or ridged, insulated or non-insulated roof decks		GPI - Aluminum or galvanized, other heights, non-stock square and rectangular sizes
Flat, non-insulated roof decks	Welded, canted construction with rigid fiberglass insulation	GPS - All types, sized to meet your requirements
Flat, pitched or ridged, non-insulated roof decks	Welded, straight-sided construction with rigid fiberglass insulation and 5 in. mounting flange	GPF - All types, sized to meet your requirements
Flat, insulated roof decks	Welded, raised cant construction with rigid fiberglass insulation	GPR - All types, sized to meet your requirements
Adaptors/Reducers	Used to match new fans to existing roof curbs. Welded galvanized steel or aluminum.	Curb adaptors and reducers

For complete product information contact your local Larkin representative.

Roof Curbs, Equipment Supports and Curb Extensions



Models GESS and GESR

These equipment supports are designed for use on both insulated (GESR) and non-insulated (GESS) flat roof decks. A variety of sizes and widths are available. Models GESS and GESR are available in welded aluminum or galvanized steel. Available in heights of 8, 12 and 14 inches and widths of 4, 6 and 8 inches.



Models GPE and GPEX

Both extended base models mount between the fan and roof curb. Heights range from 12 up to 24 inches. Models consist of welded aluminum or galvanized steel. The GPE is designed with an access door to provide easy access to the damper and damper actuator as well as fulfilling additional height requirements. The GPEX is also designed to provide additional height requirements without an access door.



Model VCE

The VCE vented curb extension is typically used in kitchen applications, where the vents allow hot air and gases to escape between the ductwork and the roof curb. Designed for use with an 8 inch high roof curb and Larkin's model XRUB, XRUBS or XRUD fan to provide the required 40 inch minimum discharge height above the roof (per NFPA 96). Model VCE is available in galvanized steel or aluminum.

















Model ISB

Insect screen bases are available for applications where the building must be free of insects, as in food processing operations. Insect screen bases mount between the supply fan and the roof curb, and provide an additional 6 inches of height. Two bolted access doors are provided for removal and cleaning of the screen. Model ISB is constructed of galvanized steel or aluminum with a fine mesh screen made of aluminum or stainless steel.

Adapters and Reducers

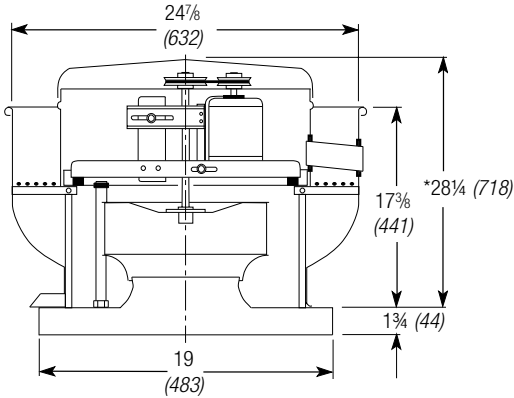
Used to adapt or reduce the standard fan curb cap dimensions to a non-standard specified curb size, within 10 inches of standard. Adapters and reducers are most commonly used to match new fans to existing roof curbs. Construction consists of welded galvanized steel or aluminum.

	XRUB	51 - 77
	XRUD	78 - 85
	XSEB	86 - 104
	XSED	105 - 112
	XRUBS	113 - 121
	XTIF	122 - 141
	XIB	142 - 163
	XID	164 - 166
	XUEB	167 - 195
	XRED	196 - 213
	XREB	200 - 228
	XCR	229 - 230
	XIR	231 - 232
	XIFB	233 - 239
	XRAS, XRAE	240 - 243

Roof Upblast and Sidewall Exhaust Fans

Performance and Dimensional Data

XRUB-098 - Belt Drive

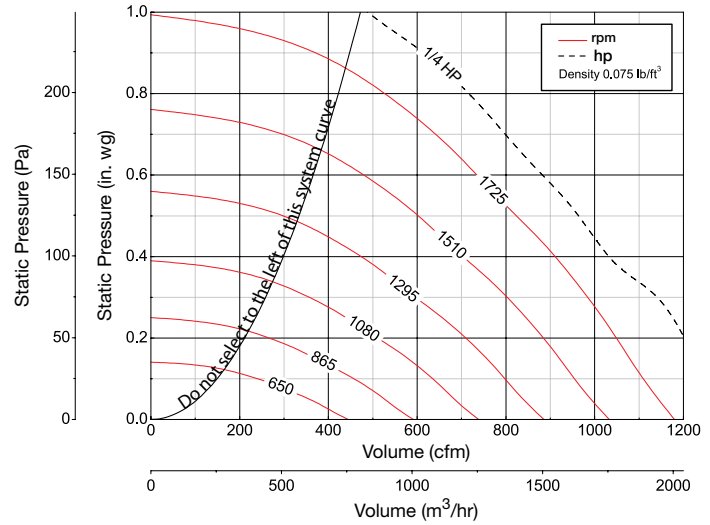


- Damper Size = 12 x 12 (305 x 305)
- Roof Opening = 14 1/2 x 14 1/2 (368 x 368)
- Windband Thickness = 0.051 (1.3)
- Motor Cover Thickness = 0.040 (1.0)
- Curb Cap Thickness = 0.064 (1.6)
- ^Approximate Unit Weight = 58 lbs. (26 kg)

All dimensions in inches (millimeters).

*May be greater depending on motor.

^Weight shown is largest cataloged Open Drip Proof motor.



Model Number	HP (Size)	Fan RPM		cfm / Static Pressure (in. wg)																							
				0	0.05	0.1	0.125	0.2	0.25	0.375	0.5	0.625	0.75														
XRUB-098-4	1/4	650	cfm	445	357	239																					
			Bhp	0.01	0.01	0.01																					
			sones	8.1	8.5	9.9																					
		755	cfm	516	442	352	301																				
			Bhp	0.02	0.02	0.02	0.02																				
			sones	8.3	8.4	8.9	9.3																				
		860	cfm	588	523	453	409	258																			
			Bhp	0.02	0.02	0.02	0.02	0.02																			
			sones	8.4	8.4	8.5	8.7	9.1																			
		965	cfm	660	600	543	509	392	294																		
			Bhp	0.03	0.03	0.03	0.04	0.04	0.04																		
			sones	8.7	8.6	8.6	8.5	8.6	8.6																		
		1070	cfm	732	677	627	600	500	428																		
			Bhp	0.04	0.04	0.04	0.05	0.05	0.05																		
			sones	8.9	8.8	8.6	8.6	8.4	8.4																		
		1175	cfm	804	752	708	684	603	537	350																	
			Bhp	0.06	0.06	0.06	0.06	0.06	0.06	0.06																	
			sones	9.3	9.2	9.0	8.9	8.7	8.6	8.2																	
		1280	cfm	875	828	787	766	696	642	488																	
			Bhp	0.07	0.07	0.07	0.07	0.08	0.08	0.08																	
			sones	10.2	10.1	9.9	9.8	9.7	9.5	9.3																	
		1385	cfm	947	903	864	845	785	738	603	448																
			Bhp	0.09	0.09	0.09	0.09	0.10	0.10	0.10	0.10																
			sones	11.2	11.1	10.9	10.8	10.7	10.6	10.4	10.3																
1490	cfm	1019	978	940	923	868	829	710	578	409																	
	Bhp	0.12	0.12	0.12	0.12	0.12	0.13	0.13	0.13	0.13																	
	sones	12.3	12.2	11.9	12.0	11.8	11.5	11.5	11.5	11.6																	
1595	cfm	1091	1053	1016	1000	950	914	813	692	560																	
	Bhp	0.14	0.14	0.14	0.14	0.14	0.15	0.16	0.16	0.16																	
	sones	13.2	13.1	12.8	12.8	12.5	12.5	12.3	12.1	12.2																	
1725	cfm	1180	1144	1109	1094	1049	1017	929	824	712	586																
	Bhp	0.18	0.18	0.18	0.18	0.18	0.18	0.20	0.20	0.20	0.20																
	sones	13.8	13.6	13.5	13.4	13.1	13.0	12.7	12.2	12.1	12.3																

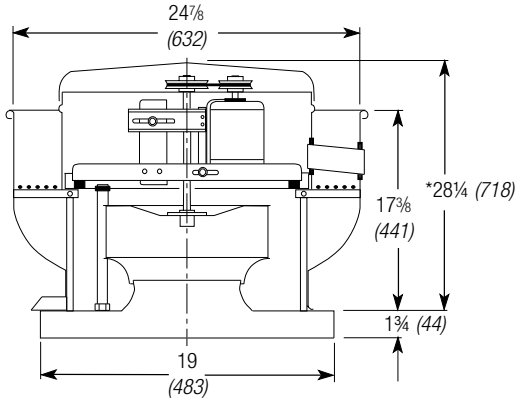
MAXIMUM Bhp AT A GIVEN RPM = (RPM/3099)³
 MAXIMUM RPM = 1725
 TIP SPEED (ft/min) = RPM x 2.846
 MAXIMUM MOTOR FRAME SIZE = 56
 AVERAGE DISCHARGE VELOCITY (FPM) = cfm/1.28

Performance certified is for installation type A: Free inlet, Free outlet. Power rating (Bhp) does not include transmission losses. Performance ratings do not include the effects of appurtenances (accessories). The sound ratings shown are loudness values in fan sones at 5 ft. (1.5 m) in a hemispherical free field calculated per AMCA Standard 301. Values shown are for installation type A: Free inlet hemispherical sone levels.

Roof Upblast and Sidewall Exhaust Fans

Performance and Dimensional Data

XRUB-101 - Belt Drive

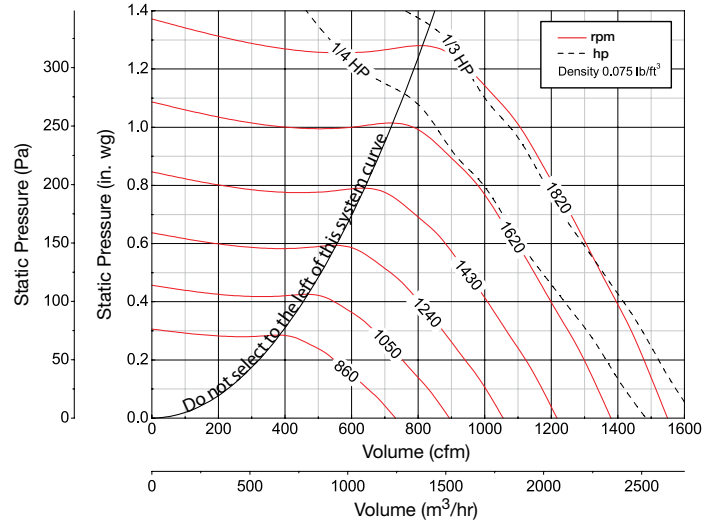


- Damper Size = 12 x 12 (305 x 305)
- Roof Opening = 14 1/2 x 14 1/2 (368 x 368)
- Windband Thickness = 0.051 (1.3)
- Motor Cover Thickness = 0.040 (1.0)
- Curb Cap Thickness = 0.064 (1.6)
- ^Approximate Unit Weight = 58 lbs. (26 kg)

All dimensions in inches (millimeters).

*May be greater depending on motor.

^Weight shown is largest cataloged Open Drip Proof motor.



Model Number	HP (Size)	Fan RPM		cfm / Static Pressure (in. wg)																
				0	0.125	0.25	0.375	0.5	0.625	0.75	0.875	1	1.25							
XRUB-101-4	1/4	860	cfm	732	625	481														
			Bhp	0.03	0.04	0.04														
			sones	4.6	2.4	0.6														
		958	cfm	815	722	609														
			Bhp	0.04	0.05	0.05														
			sones	5.5	4.5	3.3														
		1056	cfm	899	817	718	593													
			Bhp	0.06	0.06	0.07	0.07													
			sones	6.6	6.3	5.7	5.4													
		1154	cfm	982	910	821	724	574												
			Bhp	0.07	0.08	0.09	0.09	0.08												
			sones	7.3	7.1	6.6	6.1	5.8												
		1252	cfm	1066	1000	920	834	732												
			Bhp	0.09	0.10	0.11	0.11	0.11												
			sones	8.0	8.0	7.6	6.9	6.5												
		1350	cfm	1149	1089	1016	940	856	745											
			Bhp	0.12	0.13	0.13	0.14	0.14	0.14											
			sones	8.9	8.9	8.6	8.1	7.5	7.0											
1448	cfm	1233	1176	1112	1040	966	886	763												
	Bhp	0.14	0.15	0.16	0.17	0.17	0.17	0.17												
	sones	10.3	10.2	9.9	9.5	9.0	8.3	8.0												
1546	cfm	1316	1264	1206	1139	1072	999	915	820											
	Bhp	0.17	0.19	0.20	0.20	0.21	0.21	0.21	0.21											
	sones	11.8	11.5	11.3	10.9	10.5	9.8	9.3	9.0											
1660	cfm	1413	1365	1313	1251	1189	1125	1056	974	861										
	Bhp	0.22	0.23	0.24	0.25	0.26	0.26	0.26	0.26	0.25										
	sones	12.7	12.3	12.0	11.6	11.3	10.8	10.2	9.6	9.4										
XRUB-101-3	1/3	1740	cfm	1481	1435	1386	1329	1270	1210	1146	1093	991								
			Bhp	0.25	0.26	0.27	0.28	0.29	0.30	0.30	0.30	0.30								
			sones	13.4	13.0	12.6	12.1	11.8	11.4	10.9	10.5	9.7								
		1820	cfm	1549	1505	1459	1406	1350	1293	1234	1184	1106	900							
			Bhp	0.28	0.30	0.31	0.32	0.33	0.34	0.35	0.35	0.35	0.33							
			sones	14.3	13.7	13.4	12.7	12.4	12.0	11.6	11.3	10.6	10.1							

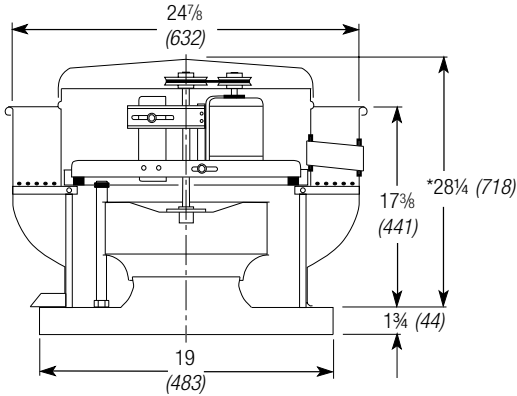
MAXIMUM Bhp AT A GIVEN RPM = (RPM/2591)³
 MAXIMUM RPM = 1820
 TIP SPEED (ft/min) = RPM x 2.913
 MAXIMUM MOTOR FRAME SIZE = 56
 AVERAGE DISCHARGE VELOCITY (FPM) = cfm/1.28

Performance certified is for installation type A: Free inlet, Free outlet. Power rating (Bhp) does not include transmission losses. Performance ratings do not include the effects of appurtenances (accessories). The sound ratings shown are loudness values in fan sones at 5 ft. (1.5 m) in a hemispherical free field calculated per AMCA Standard 301. Values shown are for installation type A: Free inlet hemispherical sone levels.

Roof Upblast and Sidewall Exhaust Fans

Performance and Dimensional Data

XRUB-101HP - Belt Drive

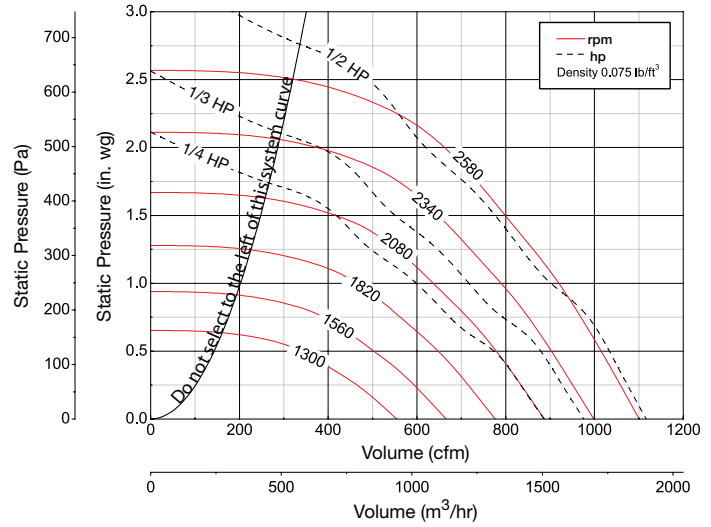


- Damper Size = 12 x 12 (305 x 305)
- Roof Opening = 14½ x 14½ (368 x 368)
- Windband Thickness = 0.051 (1.3)
- Motor Cover Thickness = 0.040 (1.0)
- Curb Cap Thickness = 0.064 (1.6)
- ^Approximate Unit Weight = 58 lbs. (26 kg)

All dimensions in inches (millimeters).

*May be greater depending on motor.

^Weight shown is largest cataloged Open Drip Proof motor.



Model Number	HP (Size)	Fan RPM		cfm / Static Pressure (in. wg)															
				0.5	0.625	0.75	1	1.25	1.5	1.75	2	2.25	2.5						
XRUB-101HP-4	1/4	1300	cfm	335	182														
			Bhp	0.07	0.06														
			sones	6.0	6.3														
		1420	cfm	419	350	191													
			Bhp	0.09	0.09	0.07													
			sones	6.8	6.6	6.9													
		1540	cfm	491	438	371													
			Bhp	0.11	0.11	0.11													
			sones	7.8	7.5	7.3													
		1660	cfm	560	512	461	262												
			Bhp	0.14	0.14	0.14	0.12												
			sones	8.9	8.6	8.4	8.3												
1780	cfm	627	583	538	430														
	Bhp	0.17	0.17	0.17	0.17														
	sones	10.3	9.9	9.6	9.1														
1900	cfm	688	651	610	520	382													
	Bhp	0.20	0.21	0.21	0.21	0.19													
	sones	12.1	11.4	11.0	10.5	10.2													
2045	cfm	761	729	693	615	522	346												
	Bhp	0.24	0.26	0.26	0.26	0.26	0.23												
	sones	13.9	13.5	12.7	12.1	11.5	11.4												
XRUB-101HP-3	1/3	2150	cfm	812	782	752	678	600	500										
			Bhp	0.28	0.29	0.30	0.30	0.30	0.30										
			sones	14.1	14.1	13.5	12.5	12.0	11.5										
2250	cfm	860	832	804	737	665	579	456											
	Bhp	0.32	0.33	0.34	0.35	0.35	0.35	0.32											
	sones	14.4	14.4	14.2	13.2	12.5	11.9	11.6											
XRUB-101HP-5	1/2	2415	cfm	938	914	887	831	765	697	614	498								
			Bhp	0.39	0.39	0.41	0.43	0.43	0.43	0.43	0.40								
			sones	15.1	15.0	15.0	14.5	13.7	12.9	12.2	12.0								
		2580	cfm	1014	992	969	919	861	799	735	655	550	323						
			Bhp	0.48	0.48	0.49	0.52	0.53	0.53	0.53	0.53	0.49	0.43						
			sones	16.8	16.4	16.0	15.7	15.1	14.4	13.7	13.2	12.9	12.5						

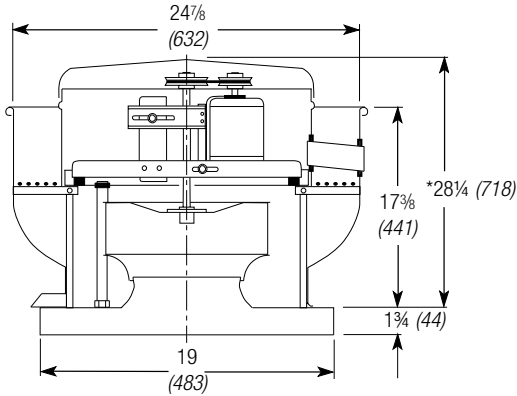
MAXIMUM Bhp AT A GIVEN RPM = (RPM/3195)³
 MAXIMUM RPM = 2580
 TIP SPEED (ft/min) = RPM x 2.913
 MAXIMUM MOTOR FRAME SIZE = 56
 AVERAGE DISCHARGE VELOCITY (FPM) = cfm/1.28

Performance certified is for installation type A: Free inlet, Free outlet. Power rating (Bhp) does not include transmission losses. Performance ratings do not include the effects of appurtenances (accessories). The sound ratings shown are loudness values in fan sones at 5 ft. (1.5 m) in a hemispherical free field calculated per AMCA Standard 301. Values shown are for installation type A: Free inlet hemispherical sone levels.

Roof Upblast and Sidewall Exhaust Fans

Performance and Dimensional Data

XRUB-121 - Belt Drive

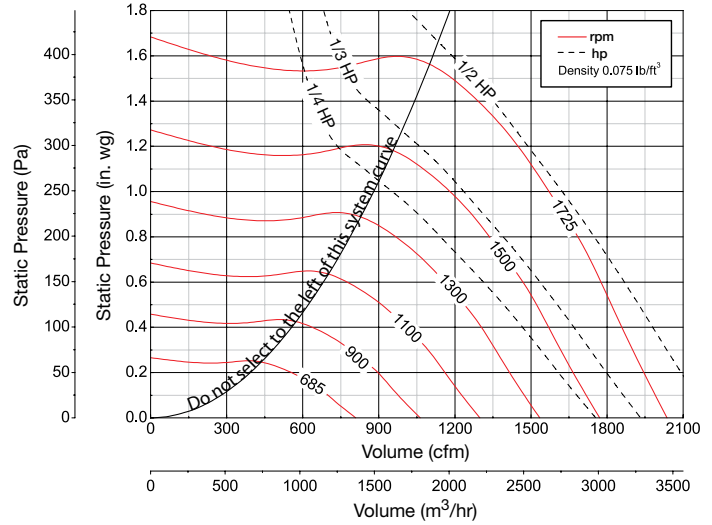


- Damper Size = 12 x 12 (305 x 305)
- Roof Opening = 14 1/2 x 14 1/2 (368 x 368)
- Windband Thickness = 0.051 (1.3)
- Motor Cover Thickness = 0.040 (1.0)
- Curb Cap Thickness = 0.064 (1.6)
- ^Approximate Unit Weight = 66 lbs. (30 kg)

All dimensions in inches (millimeters).

*May be greater depending on motor.

^Weight shown is largest cataloged Open Drip Proof motor.



Model Number	HP (Size)	Fan RPM		cfm / Static Pressure (in. wg)														
				0	0.125	0.25	0.375	0.5	0.625	0.75	1	1.25	1.5					
XRUB-121-4	1/4	685	cfm	809	670													
			Bhp	0.02	0.03													
			sones	4.4	4.4													
		798	cfm	942	824	680												
			Bhp	0.04	0.04	0.05												
			sones	5.0	5.2	5.2												
		911	cfm	1076	971	861	703											
			Bhp	0.06	0.06	0.07	0.07											
			sones	5.6	6.0	6.0	6.0											
		1024	cfm	1209	1115	1025	910	755										
			Bhp	0.08	0.09	0.10	0.10	0.10										
			sones	6.4	6.8	7.0	6.9	6.9										
1137	cfm	1343	1257	1176	1087	976	825											
	Bhp	0.11	0.12	0.13	0.13	0.14	0.13											
	sones	7.3	7.8	8.1	8.2	8.0	8.1											
1250	cfm	1476	1397	1323	1250	1159	1053	916										
	Bhp	0.15	0.16	0.17	0.17	0.18	0.18	0.18										
	sones	8.8	9.3	9.9	9.9	10.0	9.8	9.8										
1410	cfm	1665	1595	1528	1463	1398	1315	1224	965									
	Bhp	0.21	0.22	0.23	0.24	0.25	0.26	0.26	0.25									
	sones	11.1	11.6	12.2	12.5	12.6	12.7	12.7	12.3									
XRUB-121-3	1/3	1480	cfm	1748	1681	1617	1555	1493	1421	1338	1132							
			Bhp	0.25	0.26	0.27	0.28	0.29	0.29	0.30	0.30							
			sones	11.9	12.4	13.1	13.5	13.7	13.8	13.8	13.6							
		1545	cfm	1824	1760	1699	1639	1580	1518	1441	1262	990						
			Bhp	0.28	0.29	0.30	0.31	0.32	0.33	0.34	0.34	0.33						
			sones	12.8	13.4	14.0	14.5	14.7	14.8	14.9	14.9	14.6						
XRUB-121-5	1/2	1635	cfm	1931	1870	1811	1755	1699	1643	1577	1424	1226						
			Bhp	0.33	0.34	0.36	0.37	0.38	0.39	0.40	0.41	0.4						
			sones	14.1	14.7	15.2	15.9	16.2	16.4	16.6	16.7	16.5						
		1725	cfm	2037	1979	1923	1869	1816	1763	1710	1571	1406	1176					
			Bhp	0.39	0.40	0.41	0.43	0.44	0.45	0.46	0.47	0.48	0.46					
			sones	15.6	16.1	16.7	17.3	17.9	18.2	18.4	18.7	18.6	18.4					

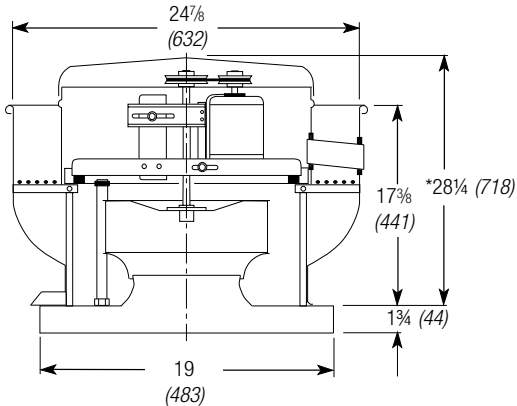
MAXIMUM Bhp AT A GIVEN RPM = (RPM/2199)³
 MAXIMUM RPM = 1725
 TIP SPEED (ft/min) = RPM x 3.419
 MAXIMUM MOTOR FRAME SIZE = 56
 AVERAGE DISCHARGE VELOCITY (FPM) = cfm/1.28

Performance certified is for installation type A: Free inlet, Free outlet. Power rating (Bhp) does not include transmission losses. Performance ratings do not include the effects of appurtenances (accessories). The sound ratings shown are loudness values in fan sones at 5 ft. (1.5 m) in a hemispherical free field calculated per AMCA Standard 301. Values shown are for installation type A: Free inlet hemispherical sone levels.

Roof Upblast and Sidewall Exhaust Fans

Performance and Dimensional Data

XRUB-131 - Belt Drive

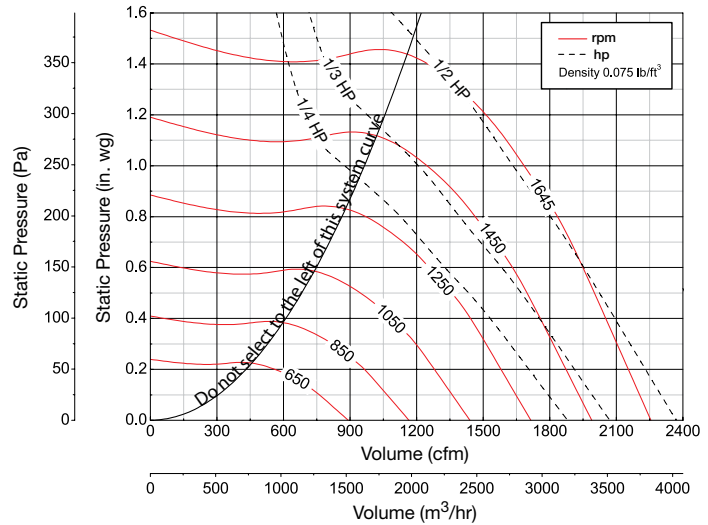


- Damper Size = 12 x 12 (305 x 305)
- Roof Opening = 14½ x 14½ (368 x 368)
- Windband Thickness = 0.051 (1.3)
- Motor Cover Thickness = 0.040 (1.0)
- Curb Cap Thickness = 0.064 (1.6)
- ^Approximate Unit Weight = 66 lbs. (30 kg)

All dimensions in inches (millimeters).

*May be greater depending on motor.

^Weight shown is largest cataloged Open Drip Proof motor.



Model Number	HP (Size)	Fan RPM		cfm / Static Pressure (in. wg)																		
				0	0.125	0.25	0.375	0.5	0.625	0.75	0.875	1	1.25									
XRUB-131-4	1/4	650	cfm	892	724																	
			Bhp	0.03	0.03																	
		780	cfm	1070	935	756																
			Bhp	0.05	0.05	0.06																
		910	cfm	1248	1133	1007	819															
			Bhp	0.07	0.08	0.09	0.09															
	1040	cfm	1426	1325	1222	1094	919															
		Bhp	0.11	0.12	0.13	0.13	0.13															
	1170	cfm	1605	1515	1425	1329	1204	1045														
		Bhp	0.16	0.17	0.18	0.18	0.19	0.18														
	1305	cfm	1790	1709	1629	1547	1458	1340	1201	1003												
		Bhp	0.22	0.23	0.24	0.25	0.26	0.26	0.26	0.24												
XRUB-131-3	1/3	1435	cfm	1968	1895	1822	1749	1671	1586	1479	1358	1198										
			Bhp	0.29	0.30	0.31	0.32	0.33	0.34	0.35	0.34	0.33										
			sones	15.7	15.5	15.1	14.8	14.3	13.8	13.1	12.5	11.9										
XRUB-131-5	1/2	1487	cfm	2039	1969	1898	1828	1754	1677	1579	1471	1339										
			Bhp	0.32	0.33	0.34	0.36	0.37	0.38	0.38	0.39	0.38										
		1540	cfm	2112	2044	1976	1908	1838	1764	1678	1577	1465										
			Bhp	0.35	0.37	0.38	0.39	0.41	0.42	0.42	0.43	0.43										
		1592	cfm	2183	2117	2052	1986	1920	1848	1774	1678	1578	1301									
			Bhp	0.39	0.41	0.42	0.43	0.44	0.46	0.47	0.47	0.47	0.45									
1645	cfm	2256	2192	2128	2065	2001	1933	1864	1778	1684	1455											
	Bhp	0.43	0.45	0.46	0.47	0.49	0.50	0.51	0.52	0.52	0.51											
			sones	17.9	17.6	17.4	17.2	16.9	16.5	16.1	15.6	15.1	13.9									

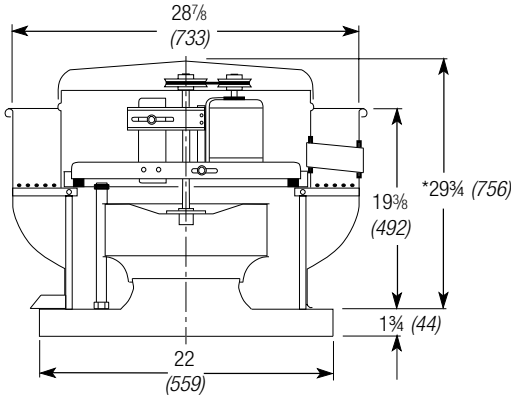
MAXIMUM Bhp AT A GIVEN RPM = (RPM/2041)³
 MAXIMUM RPM = 1645
 TIP SPEED (ft/min) = RPM x 3.420
 MAXIMUM MOTOR FRAME SIZE = 56
 AVERAGE DISCHARGE VELOCITY (FPM) = cfm/1.28

Performance certified is for installation type A: Free inlet, Free outlet. Power rating (Bhp) does not include transmission losses. Performance ratings do not include the effects of appurtenances (accessories). The sound ratings shown are loudness values in fan sones at 5 ft. (1.5 m) in a hemispherical free field calculated per AMCA Standard 301. Values shown are for installation type A: Free inlet hemispherical sone levels.

Roof Upblast and Sidewall Exhaust Fans

Performance and Dimensional Data

XRUB-141 - Belt Drive

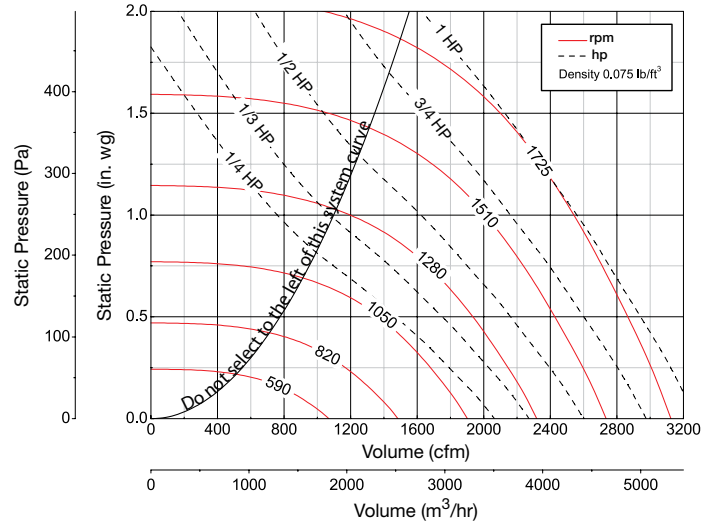


Damper Size = 16 x 16 (406 x 406)
 Roof Opening = 18½ x 18½ (470 x 470)
 Windband Thickness = 0.051 (1.3)
 Motor Cover Thickness = 0.040 (1.0)
 Curb Cap Thickness = 0.064 (1.6)
 ^Approximate Unit Weight = 84 lbs. (38 kg)

All dimensions in inches (millimeters).

*May be greater depending on motor.

^Weight shown is largest cataloged Open Drip Proof motor.



Model Number	HP (Size)	Fan RPM		cfm / Static Pressure (in. wg)															
				0	0.125	0.25	0.375	0.5	0.75	1	1.25	1.5	1.75						
XRUB-141-4	1/4	590	cfm	1069	851														
			Bhp	0.04	0.04														
			sones	5.0	4.5														
		715	cfm	1295	1130	885													
			Bhp	0.06	0.07	0.07													
			sones	6.0	6.0	5.1													
	840	cfm	1521	1387	1217	969													
		Bhp	0.10	0.11	0.11	0.11													
		sones	7.1	7.3	6.8	6.2													
		965	cfm	1748	1635	1499	1333	1103											
			Bhp	0.15	0.16	0.17	0.17	0.17											
			sones	8.6	8.7	8.5	8.1	7.7											
1105	cfm	2001	1906	1793	1667	1515	998												
	Bhp	0.23	0.24	0.25	0.26	0.26	0.23												
	sones	10.9	10.8	10.6	10.3	10.0	9.6												
	XRUB-141-3	1210	cfm	2192	2106	2006	1896	1773	1443										
			Bhp	0.30	0.31	0.32	0.33	0.34	0.34										
			sones	12.2	12.2	11.7	11.6	11.2	10.9										
XRUB-141-5	1290	cfm	2337	2258	2166	2065	1957	1691	1221										
		Bhp	0.36	0.38	0.39	0.40	0.41	0.42	0.37										
		sones	13.2	13.3	12.7	12.6	12.3	12.0	11.3										
	1390	cfm	2518	2445	2362	2271	2174	1949	1643										
		Bhp	0.45	0.47	0.48	0.50	0.51	0.52	0.51										
		sones	14.9	14.7	14.2	13.2	12.9	12.1	11.0										
XRUB-141-7	1495	cfm	2708	2640	2565	2483	2396	2202	1967	1617									
		Bhp	0.56	0.58	0.6	0.61	0.62	0.64	0.65	0.61									
		sones	17.2	16.5	16.3	15.6	13.9	12.5	12.2	10.8									
	1595	cfm	2889	2826	2757	2683	2602	2430	2225	1968	1568								
		Bhp	0.69	0.70	0.72	0.74	0.75	0.77	0.79	0.78	0.72								
		sones	20	19.0	18.5	19.5	16.1	13.3	12.3	12.6	11.6								
XRUB-141-10	1725	cfm	3125	3066	3005	2936	2865	2711	2539	2339	2085	1704							
		Bhp	0.87	0.88	0.90	0.92	0.94	0.97	0.99	1.00	0.98	0.91							
		sones	26	23	22	24	24	15.1	13.4	14.3	13.8	13.8							

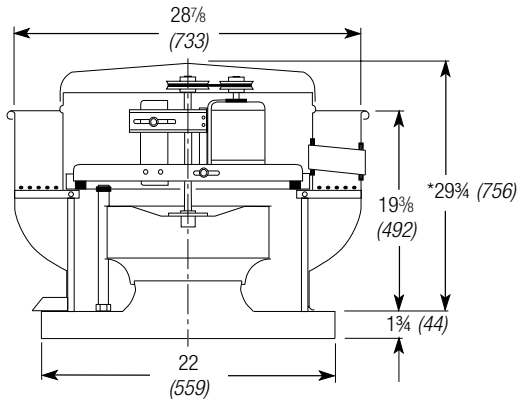
MAXIMUM Bhp AT A GIVEN RPM = (RPM/1726)³
 MAXIMUM RPM = 1725
 TIP SPEED (ft/min) = RPM x 3.829
 MAXIMUM MOTOR FRAME SIZE = 145T
 AVERAGE DISCHARGE VELOCITY (FPM) = cfm/1.72

Performance certified is for installation type A: Free inlet, Free outlet. Power rating (Bhp) does not include transmission losses. Performance ratings do not include the effects of appurtenances (accessories). The sound ratings shown are loudness values in fan sones at 5 ft. (1.5 m) in a hemispherical free field calculated per AMCA Standard 301. Values shown are for installation type A: Free inlet hemispherical sone levels.

Roof Upblast and Sidewall Exhaust Fans

Performance and Dimensional Data

XRUB-141HP - Belt Drive

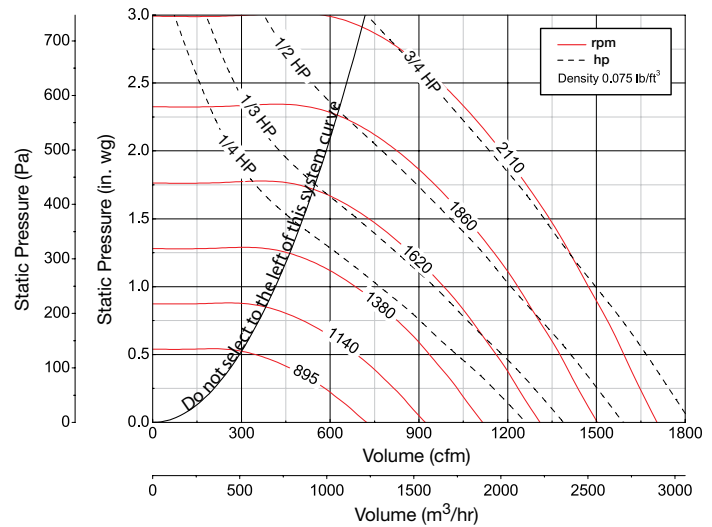


Damper Size = 16 x 16 (406 x 406)
 Roof Opening = 18½ x 18½ (470 x 470)
 Windband Thickness = 0.051 (1.3)
 Motor Cover Thickness = 0.040 (1.0)
 Curb Cap Thickness = 0.064 (1.6)
 ^Approximate Unit Weight = 84 lbs. (38 kg)

All dimensions in inches (millimeters).

*May be greater depending on motor.

^Weight shown is largest cataloged Open Drip Proof motor.



Model Number	HP (Size)	Fan RPM		cfm / Static Pressure (in. wg)													
				0.5	0.75	1	1.25	1.5	1.75	2	2.25	2.5	2.75				
XRUB-141HP-4	1/4	895	cfm	331													
			Bhp	0.06													
			sones	6.1													
		1037	cfm	566													
			Bhp	0.10													
			sones	6.7													
	1179	cfm	733	563													
		Bhp	0.13	0.14													
		sones	8.9	9.2													
		1321	cfm	878	756	591											
			Bhp	0.18	0.19	0.19											
			sones	12.1	11.6	13.6											
1465	cfm	1016	920	798													
	Bhp	0.24	0.26	0.26	0.26												
	sones	14.2	13.5	13.2	15.5												
XRUB-141HP-3	1/3	1605	cfm	1146	1063	965	846	704									
			Bhp	0.31	0.33	0.34	0.34	0.34									
			sones	15.2	14.4	14.2	14.0	15.2									
XRUB-141HP-5	1/2	1725	cfm	1256	1178	1098	999	879	747								
			Bhp	0.38	0.40	0.42	0.43	0.43	0.42								
			sones	16.1	15.4	15.0	14.9	14.7	15.7								
		1845	cfm	1363	1292	1219	1137	1042	924	800							
			Bhp	0.46	0.48	0.50	0.52	0.52	0.52	0.51							
			sones	17.0	16.6	16.2	16.0	15.9	15.6	16.1							
XRUB-141HP-7	3/4	1960	cfm	1463	1399	1330	1260	1176	1086	970	854						
			Bhp	0.54	0.57	0.59	0.61	0.62	0.63	0.62	0.62						
			sones	18.1	17.7	17.4	17.2	17.1	17.0	16.8	16.9						
		2035	cfm	1528	1468	1402	1335	1261	1175	1077	965	826					
			Bhp	0.60	0.63	0.66	0.68	0.69	0.70	0.70	0.69	0.67					
			sones	18.9	18.5	18.2	18.0	18.0	17.8	17.7	17.5	17.8					
2110	cfm	1592	1536	1473	1409	1341	1262	1178	1073	965	804						
	Bhp	0.67	0.70	0.72	0.75	0.77	0.78	0.78	0.78	0.77	0.73						
	sones	19.8	19.3	19.1	19.0	18.9	18.8	18.6	18.5	18.3	20						

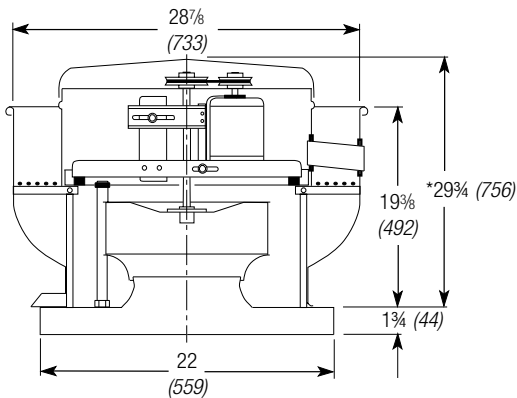
MAXIMUM Bhp AT A GIVEN RPM = (RPM/2285)³
 MAXIMUM RPM = 2110
 TIP SPEED (ft/min) = RPM x 3.829
 MAXIMUM MOTOR FRAME SIZE = 145T
 AVERAGE DISCHARGE VELOCITY (FPM) = cfm/1.72

Performance certified is for installation type A: Free inlet, Free outlet. Power rating (Bhp) does not include transmission losses. Performance ratings do not include the effects of appurtenances (accessories). The sound ratings shown are loudness values in fan sones at 5 ft. (1.5 m) in a hemispherical free field calculated per AMCA Standard 301. Values shown are for installation type A: Free inlet hemispherical sone levels.

Roof Upblast and Sidewall Exhaust Fans

Performance and Dimensional Data

XRUB-161 - Belt Drive

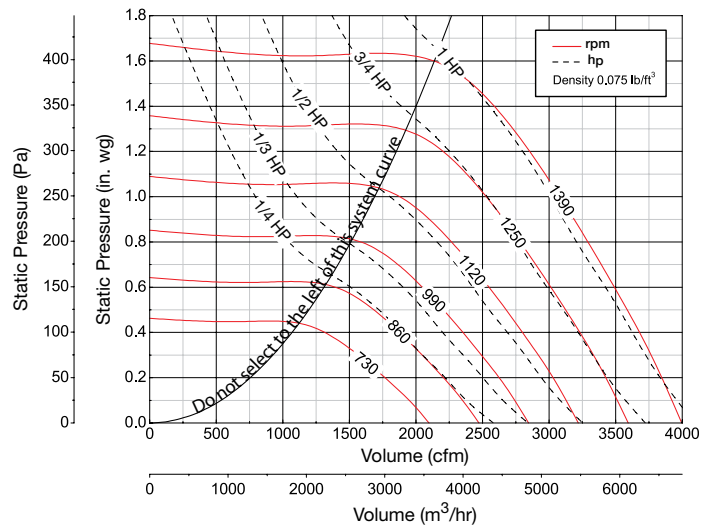


- Damper Size = 16 x 16 (406 x 406)
- Roof Opening = 18½ x 18½ (470 x 470)
- Windband Thickness = 0.051 (1.3)
- Motor Cover Thickness = 0.040 (1.0)
- Curb Cap Thickness = 0.064 (1.6)
- ^Approximate Unit Weight = 87 lbs. (39 kg)

All dimensions in inches (millimeters).

*May be greater depending on motor.

^Weight shown is largest cataloged Open Drip Proof motor.



Model Number	HP (Size)	Fan RPM		cfm / Static Pressure (in. wg)														
				0	0.125	0.25	0.375	0.5	0.625	0.75	1	1.25	1.5					
XRUB-161-4	1/4	730	cfm	2098	1905	1669	1389											
			Bhp	0.13	0.15	0.15	0.15											
			sones	8.1	8.0	7.8	7.8											
		778	cfm	2236	2058	1843	1596											
			Bhp	0.16	0.18	0.19	0.18											
			sones	8.9	8.7	8.5	8.4											
	826	cfm	2374	2209	2010	1790	1512											
		Bhp	0.20	0.22	0.22	0.22	0.21											
		sones	9.9	9.6	9.3	9.1	9.0											
	875	cfm	2515	2362	2177	1974	1744	1365										
		Bhp	0.23	0.26	0.26	0.26	0.26	0.24										
		sones	11.0	10.6	10.1	9.9	9.7	9.7										
XRUB-161-3	1/3	965	cfm	2774	2637	2477	2300	2109	1893	1584								
			Bhp	0.31	0.34	0.35	0.35	0.35	0.34	0.33								
			sones	12.4	12.0	11.5	11.2	10.8	10.6	10.5								
XRUB-161-5	1/2	1038	cfm	2984	2857	2712	2552	2382	2199	1992								
			Bhp	0.39	0.42	0.43	0.44	0.44	0.43	0.43								
			sones	13.7	13.3	12.8	12.4	12.1	11.8	11.6								
		1110	cfm	3191	3072	2941	2796	2641	2475	2297	1770							
			Bhp	0.47	0.51	0.53	0.53	0.54	0.53	0.52	0.49							
			sones	15.0	14.6	14.2	13.8	13.5	13.1	12.9	12.2							
XRUB-161-7	3/4	1188	cfm	3415	3304	3186	3053	2911	2764	2606	2246							
			Bhp	0.58	0.62	0.64	0.65	0.65	0.66	0.65	0.64							
			sones	16.7	16.3	15.8	15.4	15.0	14.7	14.5	14.0							
1265	cfm	3636	3532	3426	3301	3172	3036	2894	2583	2163								
	Bhp	0.70	0.74	0.77	0.78	0.79	0.79	0.79	0.78	0.75								
	sones	18.5	18.1	17.7	17.2	16.8	16.5	16.3	15.8	15.2								
XRUB-161-10	1	1328	cfm	3817	3718	3619	3502	3383	3253	3124	2843	2510						
			Bhp	0.81	0.85	0.89	0.90	0.91	0.91	0.92	0.90	0.89						
			sones	20	19.6	19.2	18.7	18.3	18.0	17.8	17.4	16.9						
		1390	cfm	3996	3901	3806	3698	3584	3464	3340	3078	2785	2394					
			Bhp	0.93	0.97	1.01	1.03	1.04	1.04	1.05	1.04	1.03	1.00					
			sones	22	21	21	20	19.9	19.6	19.4	19.0	18.6	18.0					

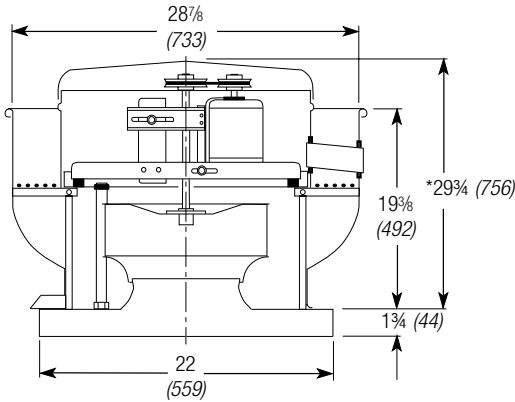
MAXIMUM Bhp AT A GIVEN RPM = (RPM/1365)³
 MAXIMUM RPM = 1390
 TIP SPEED (ft/min) = RPM x 4.352
 MAXIMUM MOTOR FRAME SIZE = 145T
 AVERAGE DISCHARGE VELOCITY (FPM) = cfm/1.72

Performance certified is for installation type A: Free inlet, Free outlet. Power rating (Bhp) does not include transmission losses. Performance ratings do not include the effects of appurtenances (accessories). The sound ratings shown are loudness values in fan sones at 5 ft. (1.5 m) in a hemispherical free field calculated per AMCA Standard 301. Values shown are for installation type A: Free inlet hemispherical sone levels.

Roof Upblast and Sidewall Exhaust Fans

Performance and Dimensional Data

XRUB-161HP - Belt Drive

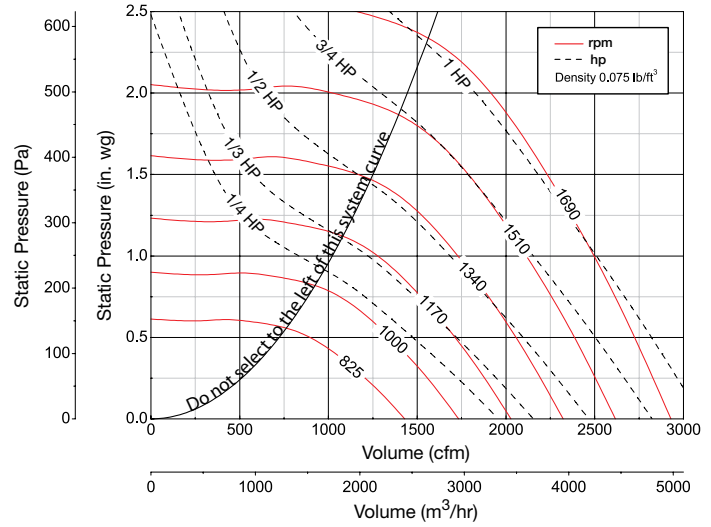


- Damper Size = 16 x 16 (406 x 406)
- Roof Opening = 18½ x 18½ (470 x 470)
- Windband Thickness = 0.051 (1.3)
- Motor Cover Thickness = 0.040 (1.0)
- Curb Cap Thickness = 0.064 (1.6)
- ^Approximate Unit Weight = 87 lbs. (39 kg)

All dimensions in inches (millimeters).

*May be greater depending on motor.

^Weight shown is largest cataloged Open Drip Proof motor.



Model Number	HP (Size)	Fan RPM		cfm / Static Pressure (in. wg)																		
				0.5	0.625	0.75	0.875	1	1.25	1.5	1.75	2	2.25									
XRUB-161HP-4	1/4	825	cfm	889																		
			Bhp	0.12																		
			sones	7.0																		
		910	cfm	1129	956																	
			Bhp	0.16	0.16																	
			sones	8.3	7.8																	
	995	cfm	1331	1208	1042																	
		Bhp	0.21	0.21	0.21																	
		sones	9.6	9.3	8.8																	
	1065	cfm	1487	1377	1252	1093																
		Bhp	0.25	0.26	0.26	0.26																
		sones	11.0	10.6	10.2	9.8																
XRUB-161HP-3	1/3	1165	cfm	1697	1608	1504	1395	1252														
			Bhp	0.32	0.33	0.34	0.34	0.34														
			sones	12.8	12.7	12.2	11.7	11.3														
XRUB-161HP-5	1/2	1255	cfm	1882	1799	1715	1617	1519	1218													
			Bhp	0.40	0.41	0.42	0.43	0.43	0.42													
			sones	13.1	12.8	12.5	12.0	11.5	10.6													
	1340	cfm	2053	1975	1897	1816	1724	1513														
		Bhp	0.48	0.49	0.50	0.51	0.52	0.52														
		sones	14.4	13.8	13.3	12.8	12.3	11.3														
XRUB-161HP-7	3/4	1441	cfm	2253	2180	2108	2036	1961	1790	1577												
			Bhp	0.59	0.60	0.61	0.63	0.64	0.65	0.65												
			sones	16.3	15.8	15.2	14.7	14.3	13.5	12.3												
1535	cfm	2433	2368	2301	2233	2165	2015	1855	1638													
	Bhp	0.70	0.72	0.73	0.74	0.76	0.78	0.79	0.78													
	sones	18.1	17.7	17.2	16.8	16.4	15.7	14.9	13.5													
XRUB-161HP-10	1	1610	cfm	2573	2516	2452	2387	2322	2190	2037	1863	1651										
			Bhp	0.80	0.82	0.83	0.85	0.86	0.89	0.90	0.91	0.90										
			sones	19.6	19.2	18.8	18.4	18.1	17.5	16.9	15.8	14.3										
	1690	cfm	2722	2671	2611	2550	2488	2365	2228	2082	1899	1664										
		Bhp	0.92	0.94	0.95	0.97	0.98	1.01	1.03	1.05	1.05	1.03										
		sones	21	21	21	20	20	19.5	19.1	18.6	16.9	15.0										

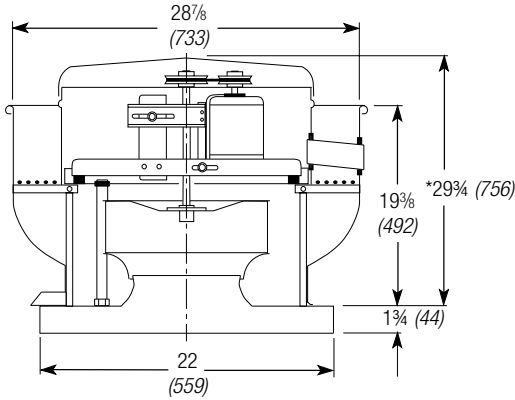
MAXIMUM Bhp AT A GIVEN RPM = (RPM/1660)³
 MAXIMUM RPM = 1690
 TIP SPEED (ft/min) = RPM x 4.352
 MAXIMUM MOTOR FRAME SIZE = 145T
 AVERAGE DISCHARGE VELOCITY (FPM) = cfm/1.72

Performance certified is for installation type A: Free inlet, Free outlet. Power rating (Bhp) does not include transmission losses. Performance ratings do not include the effects of appurtenances (accessories). The sound ratings shown are loudness values in fan sones at 5 ft. (1.5 m) in a hemispherical free field calculated per AMCA Standard 301. Values shown are for installation type A: Free inlet hemispherical sone levels.

Roof Upblast and Sidewall Exhaust Fans

Performance and Dimensional Data

XRUB-161XP - Belt Drive

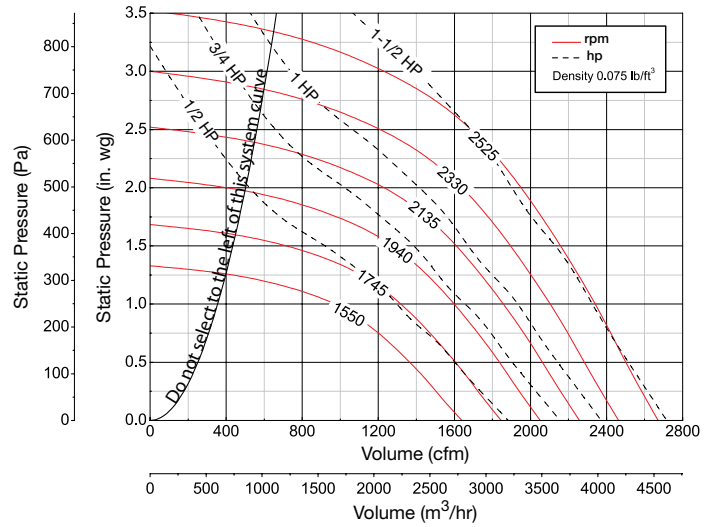


Damper Size = 16 x 16 (406 x 406)
 Roof Opening = 18½ x 18½ (470 x 470)
 Windband Thickness = 0.051 (1.3)
 Motor Cover Thickness = 0.040 (1.0)
 Curb Cap Thickness = 0.064 (1.6)
 ^Approximate Unit Weight = 87 lbs. (39 kg)

All dimensions in inches (millimeters).

*May be greater depending on motor.

^Weight shown is largest cataloged Open Drip Proof motor.



Model Number	HP (Size)	Fan RPM		cfm / Static Pressure (in. wg)															
				1	1.25	1.5	1.75	2	2.25	2.5	2.75	3	3.25						
XRUB-161XP-5	1/2	1550	cfm	968															
			Bhp	0.34															
			sones	10.0															
		1648	cfm	1157	854														
			Bhp	0.42	0.39														
			sones	11.1	10.2														
		1750	cfm	1322	1116	726													
			Bhp	0.52	0.49	0.43													
			sones	12.1	11.4	10.9													
XRUB-161XP-7	3/4	1880	cfm	1515	1359	1139	744												
			Bhp	0.65	0.63	0.60	0.52												
			sones	13.7	13.1	12.3	12.2												
		1942	cfm	1599	1456	1271	984												
			Bhp	0.71	0.70	0.68	0.63												
			sones	14.3	13.9	13.2	12.6												
		2005	cfm	1684	1552	1392	1161	777											
			Bhp	0.77	0.78	0.76	0.72	0.63											
			sones	15.0	14.7	14.1	13.4	13.6											
XRUB-161XP-10	1	2138	cfm	1861	1743	1611	1451	1226	869										
			Bhp	0.93	0.95	0.94	0.91	0.87	0.78										
			sones	16.6	16.4	15.9	15.4	14.8	15.1										
		2205	cfm	1946	1834	1713	1578	1395	1127	634									
			Bhp	1.01	1.03	1.04	1.01	0.99	0.92	0.73									
			sones	17.5	17.3	17.0	16.4	15.9	15.5	16.7									
		2310	cfm	2076	1974	1865	1741	1597	1415	1134	644								
			Bhp	1.17	1.18	1.2	1.18	1.16	1.12	1.04	0.83								
			sones	19.0	18.7	18.5	18.1	17.5	17.1	16.8	18.4								
XRUB-161XP-15	1½	2432	cfm	2226	2134	2031	1926	1804	1660	1483	1225	826							
			Bhp	1.36	1.36	1.38	1.40	1.38	1.35	1.31	1.23	1.07							
			sones	21	20	20	20	19.6	19.1	18.7	18.7	19.9							
		2525	cfm	2339	2250	2155	2056	1946	1828	1676	1487	1221	810						
			Bhp	1.52	1.52	1.54	1.56	1.56	1.53	1.50	1.45	1.35	1.16						
			sones	22	22	22	22	21	21	20	20	20	22						

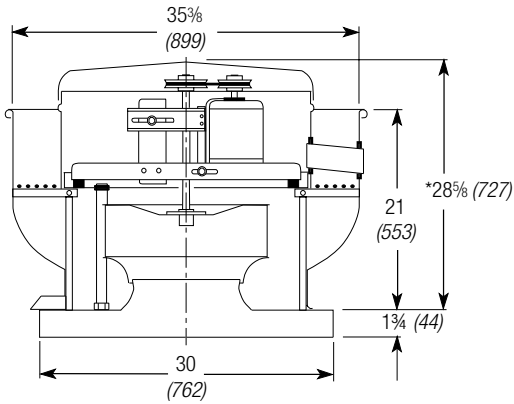
MAXIMUM Bhp AT A GIVEN RPM = (RPM/2170)³
 MAXIMUM RPM = 2525
 TIP SPEED (ft/min) = RPM x 3.534
 MAXIMUM MOTOR FRAME SIZE = 145T
 AVERAGE DISCHARGE VELOCITY (FPM) = cfm/1.72

Performance certified is for installation type A: Free inlet, Free outlet. Power rating (Bhp) does not include transmission losses. Performance ratings do not include the effects of appurtenances (accessories). The sound ratings shown are loudness values in fan sones at 5 ft. (1.5 m) in a hemispherical free field calculated per AMCA Standard 301. Values shown are for installation type A: Free inlet hemispherical sone levels.

Roof Upblast and Sidewall Exhaust Fans

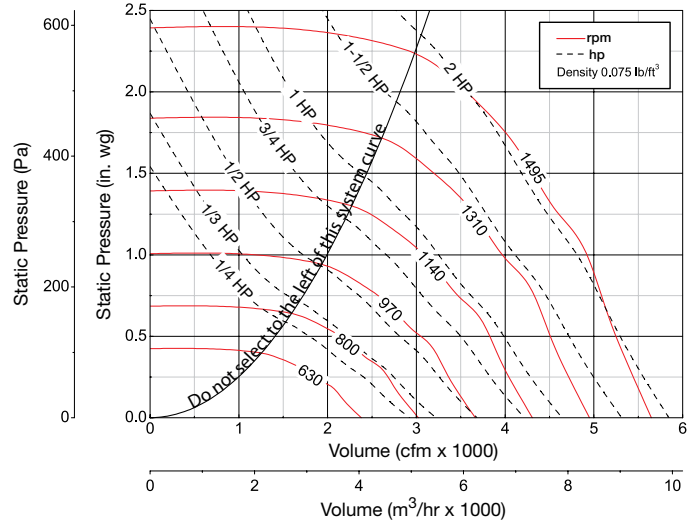
Performance and Dimensional Data

XRUB-180 - Belt Drive



- Damper Size = 18 x 18 (457 x 457)
- Roof Opening = 20½ x 20½ (521 x 521)
- Windband Thickness = 0.064 (1.6)
- Motor Cover Thickness = 0.040 (1.0)
- Curb Cap Thickness = 0.064 (1.6)
- ^Approximate Unit Weight = 126 lbs. (57 kg)

All dimensions in inches (millimeters).
 *May be greater depending on motor.
 ^Weight shown is largest cataloged Open Drip Proof motor.



Model Number	HP (Size)	Fan RPM		cfm / Static Pressure (in. wg)											
				0	0.125	0.25	0.5	0.75	1	1.25	1.5	1.75	2		
XRUB-180-4	1/4	630	cfm	2380	2154	1861									
			Bhp	0.13	0.15	0.16									
			sones	7.1	6.4	5.5									
		745	cfm	2815	2617	2448	1763								
			Bhp	0.22	0.24	0.26	0.25								
			sones	9.2	8.6	8.1	7.1								
XRUB-180-3	1/3	820	cfm	3098	2916	2759	2257								
			Bhp	0.30	0.32	0.34	0.34								
			sones	11.2	10.4	10.0	9.0								
XRUB-180-5	1/2	940	cfm	3551	3389	3243	2879	2363							
			Bhp	0.45	0.47	0.49	0.52	0.50							
			sones	13.8	13.5	13.1	12.4	11.2							
XRUB-180-7	3/4	1010	cfm	3816	3664	3526	3242	2799	2105						
			Bhp	0.56	0.58	0.61	0.65	0.64	0.58						
			sones	15.4	15.2	14.9	14.7	13.7	11.8						
		1075	cfm	4061	3919	3786	3554	3141	2652						
			Bhp	0.67	0.70	0.73	0.78	0.78	0.75						
			sones	16.5	16.2	15.8	15.1	14.7	13.3						
XRUB-180-10	1	1185	cfm	4477	4348	4224	4005	3703	3336	2841					
			Bhp	0.90	0.93	0.96	1.01	1.04	1.04	0.99					
			sones	18.5	17.9	17.1	16.5	16.0	15.2	14.4					
XRUB-180-15	1½	1275	cfm	4817	4697	4578	4369	4163	3799	3437	2930				
			Bhp	1.12	1.15	1.19	1.24	1.30	1.30	1.28	1.22				
			sones	21	20	19.5	18.7	18.2	17.5	16.7	15.9				
		1360	cfm	5138	5026	4913	4710	4532	4232	3912	3537	3023			
			Bhp	1.36	1.39	1.43	1.49	1.56	1.58	1.58	1.54	1.46			
			sones	23	23	22	21	21	20	19.2	18.3	17.3			
XRUB-180-20	2	1430	cfm	5402	5296	5189	4993	4819	4593	4270	3968	3567	3001		
			Bhp	1.58	1.62	1.66	1.72	1.79	1.83	1.83	1.83	1.76	1.66		
			sones	25	25	25	24	23	22	22	21	19.5	18.2		
		1495	cfm	5648	5546	5443	5254	5082	4921	4598	4313	3983	3564		
			Bhp	1.80	1.84	1.89	1.96	2.02	2.10	2.10	2.10	2.06	1.99		
			sones	28	27	27	26	25	25	24	23	22	21		

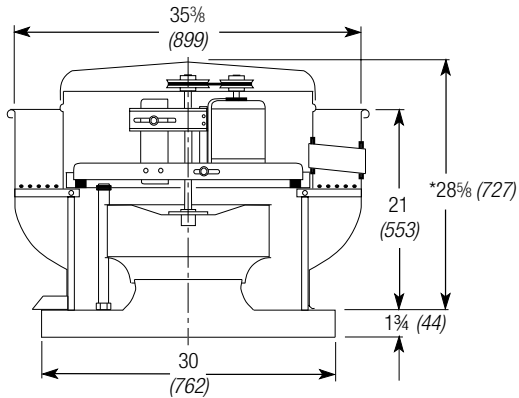
MAXIMUM Bhp AT A GIVEN RPM = (RPM/1167)³
 MAXIMUM RPM = 1495
 TIP SPEED (ft/min) = RPM x 4.843
 MAXIMUM MOTOR FRAME SIZE = 184T
 AVERAGE DISCHARGE VELOCITY (FPM) = cfm/2.92

Performance certified is for installation type A: Free inlet, Free outlet. Power rating (Bhp) does not include transmission losses. Performance ratings do not include the effects of appurtenances (accessories). The sound ratings shown are loudness values in fan sones at 5 ft. (1.5 m) in a hemispherical free field calculated per AMCA Standard 301. Values shown are for installation type A: Free inlet hemispherical sone levels.

Roof Upblast and Sidewall Exhaust Fans

Performance and Dimensional Data

XRUB-180HP - Belt Drive

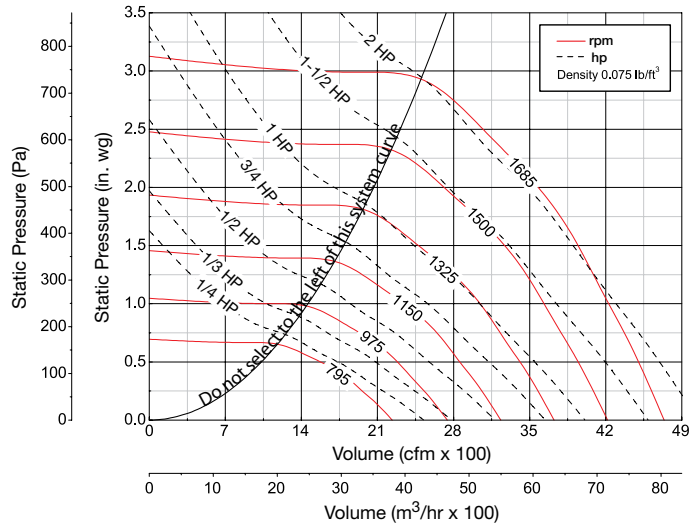


- Damper Size = 18 x 18 (457 x 457)
- Roof Opening = 20½ x 20½ (521 x 521)
- Windband Thickness = 0.064 (1.6)
- Motor Cover Thickness = 0.040 (1.0)
- Curb Cap Thickness = 0.064 (1.6)
- ^Approximate Unit Weight = 126 lbs. (57 kg)

All dimensions in inches (millimeters).

*May be greater depending on motor.

^Weight shown is largest cataloged Open Drip Proof motor.



Model Number	HP (Size)	Fan RPM		cfm / Static Pressure (in. wg)															
				0.5	0.75	1	1.25	1.5	1.75	2	2.25	2.5	2.75						
XRUB-180HP-4	1/4	795	cfm	1570															
			Bhp	0.22															
			sones	8.3															
		845	cfm	1799															
			Bhp	0.26															
			sones	9.5															
XRUB-180HP-3	1/3	925	cfm	2104	1688														
			Bhp	0.34	0.35														
			sones	10.8	9.8														
XRUB-180HP-5	1/2	1065	cfm	2581	2323	1933													
			Bhp	0.50	0.52	0.53													
			sones	13.8	12.5	12.4													
XRUB-180HP-7	3/4	1215	cfm	3063	2868	2626	2286	1854											
			Bhp	0.72	0.76	0.78	0.79	0.75											
			sones	15.0	14.5	14.0	13.4	12.9											
XRUB-180HP-10	1	1275	cfm	3253	3066	2853	2566	2209											
			Bhp	0.82	0.87	0.89	0.91	0.89											
			sones	16.7	15.8	15.4	14.9	14.3											
		1335	cfm	3441	3261	3075	2839	2523	2156										
			Bhp	0.93	0.98	1.02	1.04	1.04	1.04	1.01									
			sones	18.7	17.4	17.0	16.6	16.1	15.6										
XRUB-180HP-15	1½	1430	cfm	3735	3566	3401	3206	2964	2669	2320									
			Bhp	1.13	1.19	1.23	1.26	1.27	1.28	1.24									
			sones	22	21	19.7	19.3	18.9	18.4	17.9									
1530	cfm	4005	3853	3696	3538	3338	3089	2807	2479										
	Bhp	1.34	1.40	1.46	1.50	1.52	1.53	1.54	1.49										
	sones	23	22	21	21	20	19.7	19.1	18.4										
XRUB-180HP-20	2	1610	cfm	4273	4136	3986	3840	3674	3485	3233	2965	2656							
			Bhp	1.58	1.64	1.70	1.76	1.79	1.81	1.82	1.82	1.78							
			sones	25	24	23	23	22	21	21	20	19.2							
		1685	cfm	4495	4369	4226	4085	3945	3768	3575	3325	3061	2766						
			Bhp	1.79	1.86	1.93	1.99	2.04	2.07	2.08	2.09	2.08	2.04						
			sones	27	26	25	26	24	23	22	21	21	20						

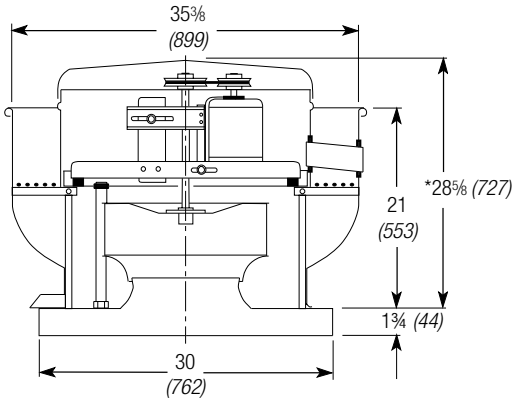
MAXIMUM Bhp AT A GIVEN RPM = (RPM/1315)³
 MAXIMUM RPM = 1685
 TIP SPEED (ft/min) = RPM x 4.843
 MAXIMUM MOTOR FRAME SIZE = 184T
 AVERAGE DISCHARGE VELOCITY (FPM) = cfm/2.92

Performance certified is for installation type A: Free inlet, Free outlet. Power rating (Bhp) does not include transmission losses. Performance ratings do not include the effects of appurtenances (accessories). The sound ratings shown are loudness values in fan sones at 5 ft. (1.5 m) in a hemispherical free field calculated per AMCA Standard 301. Values shown are for installation type A: Free inlet hemispherical sone levels.

Roof Upblast and Sidewall Exhaust Fans

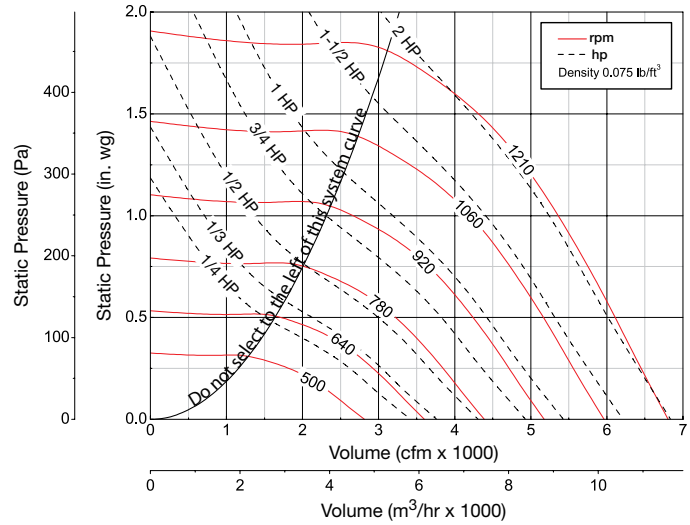
Performance and Dimensional Data

XRUB-200 - Belt Drive



- Damper Size = 18 x 18 (457 x 457)
- Roof Opening = 20½ x 20½ (521 x 521)
- Windband Thickness = 0.064 (1.6)
- Motor Cover Thickness = 0.040 (1.0)
- Curb Cap Thickness = 0.064 (1.6)
- ^Approximate Unit Weight = 142 lbs. (64 kg)

All dimensions in inches (millimeters).
 *May be greater depending on motor.
 ^Weight shown is largest cataloged Open Drip Proof motor.



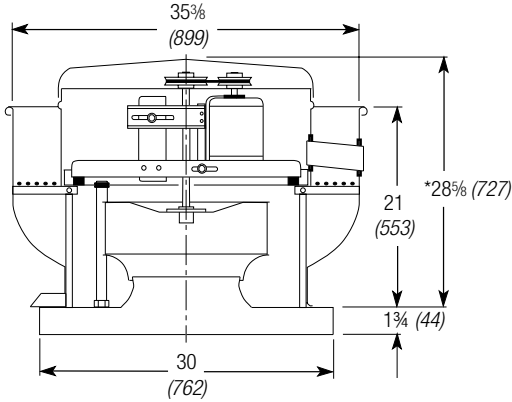
Model Number	HP (Size)	Fan RPM		cfm / Static Pressure (in. wg)													
				0	0.125	0.25	0.375	0.5	0.75	1	1.25	1.5	1.75				
XRUB-200-4	1/4	500	cfm	2812	2386	1822											
			Bhp	0.14	0.15	0.15											
			sones	6.2	5.4	4.6											
		605	cfm	3403	3054	2675	2144										
			Bhp	0.25	0.26	0.26	0.25										
			sones	8.1	7.4	6.7	6.1										
XRUB-200-3	1/3	665	cfm	3740	3422	3096	2699	2073									
			Bhp	0.33	0.34	0.35	0.35	0.33									
			sones	9.4	8.8	8.1	7.5	7.0									
XRUB-200-5	1/2	760	cfm	4275	3994	3718	3413	3048									
			Bhp	0.49	0.51	0.52	0.52	0.51									
			sones	12.1	11.7	10.9	10.1	9.4									
XRUB-200-7	3/4	820	cfm	4612	4350	4098	3828	3523	2606								
			Bhp	0.61	0.63	0.65	0.65	0.65	0.61								
			sones	14.1	14.1	13.0	12.2	11.4	10.7								
		875	cfm	4922	4676	4439	4192	3922	3240								
			Bhp	0.75	0.77	0.78	0.79	0.79	0.78								
			sones	16.3	16.3	15.2	14.7	13.5	12.4								
XRUB-200-10	1	960	cfm	5400	5176	4958	4742	4508	3985	3169							
			Bhp	0.98	1.01	1.03	1.04	1.04	1.04	1.00							
			sones	18.7	18.4	17.7	17.0	16.4	15.0	14.4							
XRUB-200-15	1½	1030	cfm	5793	5585	5380	5179	4968	4503	3917	2972						
			Bhp	1.22	1.24	1.26	1.28	1.29	1.29	1.27	1.18						
			sones	21	21	20	19.2	18.7	17.5	16.4	16.8						
		1100	cfm	6187	5992	5798	5610	5421	5006	4529	3861						
			Bhp	1.48	1.51	1.53	1.55	1.57	1.57	1.57	1.53						
			sones	23	23	23	22	21	20	19.3	18.6						
XRUB-200-20	2	1155	cfm	6496	6311	6125	5946	5767	5383	4948	4410	3629					
			Bhp	1.72	1.74	1.77	1.79	1.81	1.81	1.81	1.80	1.71					
			sones	24	24	23	23	22	21	20	19.2	19.9					
		1210	cfm	6806	6628	6451	6279	6108	5748	5350	4892	4289	3365				
			Bhp	1.97	2.00	2.03	2.05	2.07	2.09	2.09	2.09	2.08	2.04	1.88			
			sones	25	24	23	23	22	21	21	19.8	19.7	21				

Performance certified is for installation type A: Free inlet, Free outlet. Power rating (Bhp) does not include transmission losses. Performance ratings do not include the effects of appurtenances (accessories). The sound ratings shown are loudness values in fan sones at 5 ft. (1.5 m) in a hemispherical free field calculated per AMCA Standard 301. Values shown are for installation type A: Free inlet hemispherical sone levels.

Roof Upblast and Sidewall Exhaust Fans

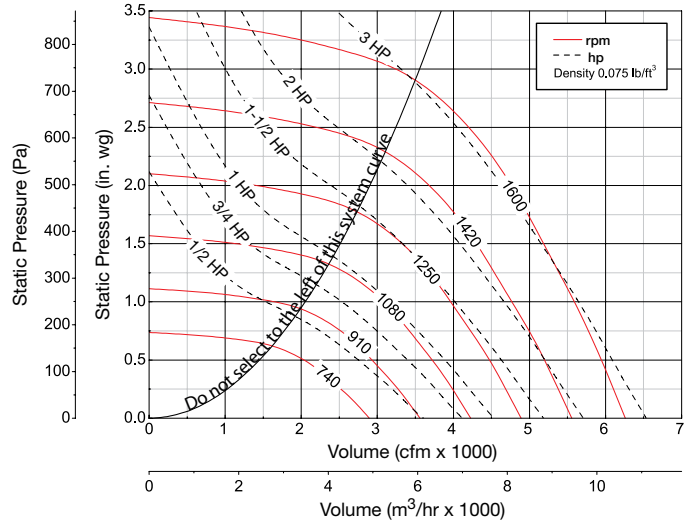
Performance and Dimensional Data

XRUB-200HP - Belt Drive



- Damper Size = 18 x 18 (457 x 457)
- Roof Opening = 20½ x 20½ (521 x 521)
- Windband Thickness = 0.064 (1.6)
- Motor Cover Thickness = 0.040 (1.0)
- Curb Cap Thickness = 0.064 (1.6)
- ^Approximate Unit Weight = 142 lbs. (64 kg)

All dimensions in inches (millimeters).
 *May be greater depending on motor.
 ^Weight shown is largest cataloged Open Drip Proof motor.



Model Number	HP (Size)	Fan RPM		cfm / Static Pressure (in. wg)												
				0.5	0.75	1	1.25	1.5	1.75	2	2.25	2.5	2.75			
XRUB-200HP-5	1/2	740	cfm	2024												
			Bhp	0.31												
			sones	8.1												
		880	cfm	2779	2317											
			Bhp	0.51	0.52											
			sones	10.5	9.5											
XRUB-200HP-7	3/4	945	cfm	3094	2711	2092										
			Bhp	0.62	0.64	0.62										
			sones	12.2	11.5	10.6										
		1010	cfm	3397	3067	2637										
			Bhp	0.75	0.78	0.79										
			sones	14.5	13.7	13.2										
XRUB-200HP-10	1	1110	cfm	3851	3561	3242	2806									
			Bhp	0.98	1.02	1.04	1.04									
			sones	16.9	16.2	15.7	15.5									
XRUB-200HP-15	1½	1190	cfm	4207	3944	3661	3321	2850								
			Bhp	1.20	1.24	1.27	1.29	1.26								
			sones	19.0	18.1	17.5	17.3	17.5								
		1270	cfm	4558	4312	4055	3789	3433	2944							
			Bhp	1.44	1.49	1.53	1.56	1.56	1.53							
			sones	22	21	20	19.7	19.3	19.8							
XRUB-200HP-20	2	1335	cfm	4837	4606	4369	4116	3826	3482	2946						
			Bhp	1.67	1.71	1.76	1.79	1.82	1.82	1.75						
			sones	23	23	22	21	21	21	22						
		1400	cfm	5110	4898	4674	4436	4195	3880	3515						
			Bhp	1.91	1.96	2.01	2.05	2.09	2.09	2.08						
			sones	24	24	24	23	21	22	23						
XRUB-200HP-30	3	1465	cfm	5382	5186	4972	4752	4521	4269	3956	3556					
			Bhp	2.18	2.23	2.28	2.33	2.37	2.40	2.40	2.37					
			sones	26	25	25	25	23	23	24	25					
		1600	cfm	5943	5775	5581	5385	5182	4971	4760	4476	4189	3760			
			Bhp	2.81	2.88	2.93	2.99	3.03	3.08	3.13	3.13	3.13	3.06			
			sones	29	28	29	30	29	26	24	26	28	31			

MAXIMUM Bhp AT A GIVEN RPM = (RPM/1093)³
 MAXIMUM RPM = 1600
 TIP SPEED (ft/min) = RPM x 5.595
 MAXIMUM MOTOR FRAME SIZE = 184T
 AVERAGE DISCHARGE VELOCITY (FPM) = cfm/2.92

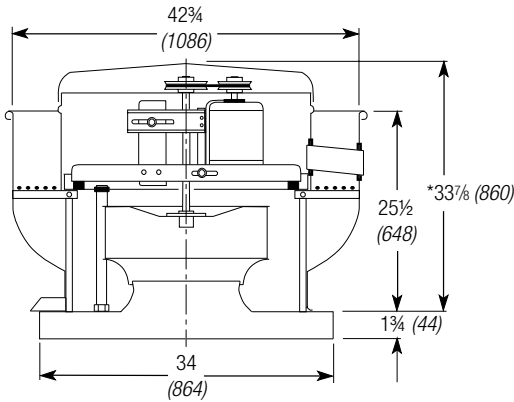
Performance certified is for installation type A: Free inlet, Free outlet. Power rating (Bhp) does not include transmission losses. Performance ratings do not include the effects of appurtenances (accessories). The sound ratings shown are loudness values in fan sones at 5 ft. (1.5 m) in a hemispherical free field calculated per AMCA Standard 301. Values shown are for installation type A: Free inlet hemispherical sone levels.



Roof Upblast and Sidewall Exhaust Fans

Performance and Dimensional Data

XRUB-220 - Belt Drive

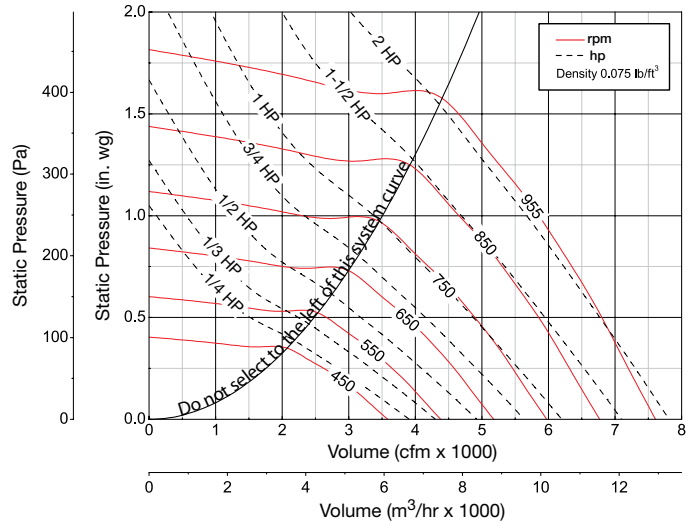


- Damper Size = 24 x 24 (610 x 610)
- Roof Opening = 26 1/2 x 26 1/2 (673 x 673)
- Windband Thickness = 0.064 (1.6)
- Motor Cover Thickness = 0.051 (1.3)
- Curb Cap Thickness = 0.064 (1.6)
- ^Approximate Unit Weight = 174 lbs. (79 kg)

All dimensions in inches (millimeters).

*May be greater depending on motor.

^Weight shown is largest cataloged Open Drip Proof motor.



Model Number	HP (Size)	Fan RPM		cfm / Static Pressure (in. wg)											
				0	0.125	0.25	0.375	0.5	0.625	0.75	1	1.25	1.5		
XRUB-220-4	1/4	450	cfm	3585	3155	2624									
			Bhp	0.19	0.21	0.22									
			sones	7.3	6.6	6.0									
		475	cfm	3784	3377	2896	2268								
			Bhp	0.23	0.25	0.26	0.25								
			sones	7.9	7.2	6.5	6.1								
XRUB-220-3	1/3	520	cfm	4142	3771	3357	2845								
			Bhp	0.30	0.32	0.34	0.34								
			sones	9.3	8.4	7.6	7.1								
XRUB-220-5	1/2	600	cfm	4779	4457	4124	3736	3279							
			Bhp	0.46	0.48	0.51	0.52	0.52							
			sones	12.0	11.0	10.0	9.3	8.8							
XRUB-220-7	3/4	645	cfm	5138	4838	4539	4194	3811	3346						
			Bhp	0.57	0.60	0.63	0.64	0.65	0.64						
			sones	13.4	12.6	11.8	11.1	10.4	9.9						
		685	cfm	5457	5174	4893	4581	4234	3836	3383					
			Bhp	0.68	0.71	0.74	0.76	0.78	0.78	0.77					
			sones	14.8	14.0	13.4	12.9	12.1	11.6	11.1					
XRUB-220-10	1	755	cfm	6014	5758	5502	5239	4944	4620	4258					
			Bhp	0.91	0.94	0.98	1.01	1.03	1.04	1.04					
			sones	17.3	16.7	16.3	16.0	15.5	14.8	14.3					
XRUB-220-15	1 1/2	810	cfm	6452	6213	5975	5737	5470	5185	4883	4156				
			Bhp	1.13	1.16	1.20	1.24	1.26	1.28	1.29	1.27				
			sones	18.7	18.1	17.7	17.3	16.9	16.2	15.6	14.7				
		865	cfm	6890	6667	6443	6220	5987	5729	5453	4835	4111			
			Bhp	1.37	1.41	1.45	1.49	1.52	1.54	1.56	1.57	1.53			
			sones	20	19.9	19.3	18.9	18.5	17.8	17.2	16.3	15.9			
XRUB-220-20	2	910	cfm	7249	7036	6823	6612	6400	6158	5909	5365	4704			
			Bhp	1.6	1.64	1.68	1.72	1.76	1.78	1.81	1.83	1.81			
			sones	23	22	22	21	21	19.9	19.1	18.0	17.1			
		955	cfm	7607	7405	7202	7000	6799	6580	6347	5844	5261	4602		
			Bhp	1.85	1.89	1.93	1.97	2.02	2.05	2.07	2.11	2.11	2.07		
			sones	25	25	24	24	23	23	22	20	19	18.6		

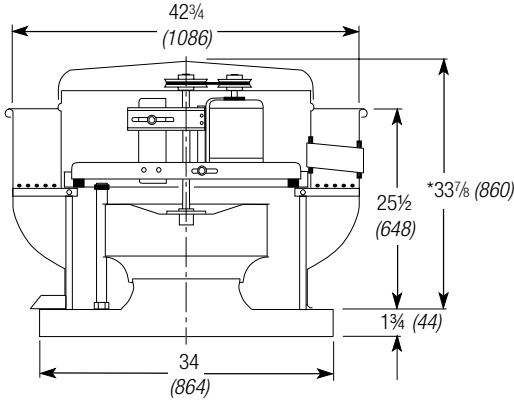
MAXIMUM Bhp AT A GIVEN RPM = (RPM/743)³
 MAXIMUM RPM = 955
 TIP SPEED (ft/min) = RPM x 6.413
 MAXIMUM MOTOR FRAME SIZE = 184T
 AVERAGE DISCHARGE VELOCITY (FPM) = cfm/3.76

Performance certified is for installation type A: Free inlet, Free outlet. Power rating (Bhp) does not include transmission losses. Performance ratings do not include the effects of appurtenances (accessories). The sound ratings shown are loudness values in fan sones at 5 ft. (1.5 m) in a hemispherical free field calculated per AMCA Standard 301. Values shown are for installation type A: Free inlet hemispherical sone levels.

Roof Upblast and Sidewall Exhaust Fans

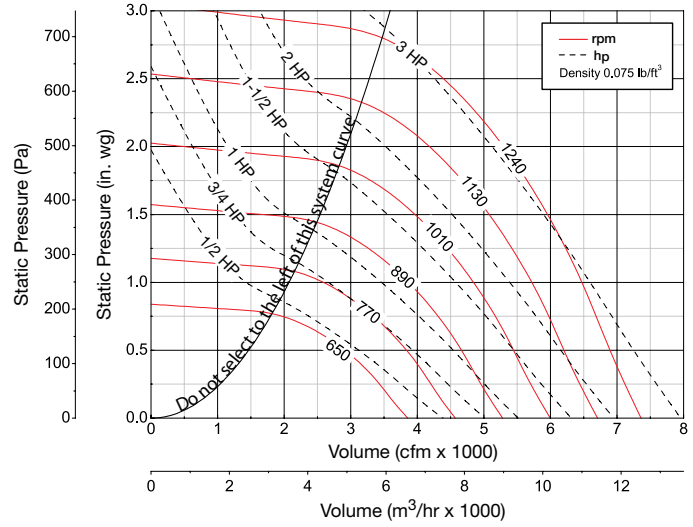
Performance and Dimensional Data

XRUB-220HP - Belt Drive



- Damper Size = 24 x 24 (610 x 610)
- Roof Opening = 26 1/2 x 26 1/2 (673 x 673)
- Windband Thickness = 0.064 (1.6)
- Motor Cover Thickness = 0.051 (1.3)
- Curb Cap Thickness = 0.064 (1.6)
- ^Approximate Unit Weight = 174 lbs. (79 kg)

All dimensions in inches (millimeters).
 *May be greater depending on motor.
 ^Weight shown is largest cataloged Open Drip Proof motor.



Model Number	HP (Size)	Fan RPM		cfm / Static Pressure (in. wg)											
				0.5	0.75	1	1.25	1.5	1.75	2	2.25	2.5	2.75		
XRUB-220HP-5	1/2	650	cfm	2909	1940										
			Bhp	0.45	0.42										
			sones	8.6	7.5										
		680	cfm	3151	2405										
			Bhp	0.51	0.51										
			sones	9.6	8.6										
XRUB-220HP-7	3/4	735	cfm	3582	3006										
			Bhp	0.63	0.65										
			sones	11.7	10.8										
		780	cfm	3902	3427	2716									
			Bhp	0.74	0.78	0.77									
			sones	13.2	12.2	11.9									
XRUB-220HP-10	1	860	cfm	4459	4075	3578	2863								
			Bhp	0.96	1.02	1.05	1.01								
			sones	14.8	14.1	13.7	12.9								
XRUB-220HP-15	1 1/2	985	cfm	5281	4988	4642	4220	3674	2825						
			Bhp	1.39	1.48	1.54	1.57	1.56	1.46						
			sones	18.8	17.6	17.2	16.9	16.2	14.6						
XRUB-220HP-20	2	1035	cfm	5602	5335	5033	4659	4209	3630						
			Bhp	1.60	1.69	1.77	1.81	1.82	1.79						
			sones	21	19.5	18.6	18.5	18.1	17.0						
		1085	cfm	5920	5678	5390	5061	4679	4210	3573					
			Bhp	1.82	1.92	2.00	2.06	2.10	2.09	2.03					
			sones	23	21	20	20	19.8	19.3	17.8					
XRUB-220HP-30	3	1135	cfm	6236	6006	5743	5456	5114	4708	4215	3518				
			Bhp	2.06	2.17	2.26	2.34	2.39	2.40	2.38	2.28				
			sones	24	23	22	21	21	21	20	19.4				
		1188	cfm	6570	6350	6111	5848	5540	5202	4792	4286	3563			
			Bhp	2.34	2.46	2.56	2.65	2.71	2.75	2.76	2.72	2.59			
			sones	25	24	24	23	23	22	22	22	22			
1240	cfm	6895	6684	6469	6217	5950	5637	5283	4885	4374	3633				
	Bhp	2.64	2.76	2.88	2.97	3.05	3.10	3.13	3.13	3.08	2.92				
	sones	26	25	25	25	25	24	23	24	25	27				

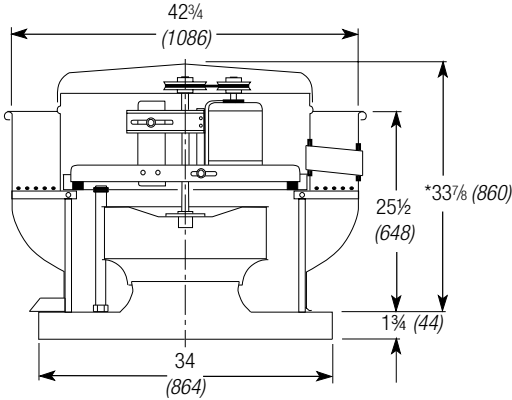
MAXIMUM Bhp AT A GIVEN RPM = (RPM/847)³
 MAXIMUM RPM = 1240
 TIP SPEED (ft/min) = RPM x 6.413
 MAXIMUM MOTOR FRAME SIZE = 184T
 AVERAGE DISCHARGE VELOCITY (FPM) = cfm/3.76

Performance certified is for installation type A: Free inlet, Free outlet. Power rating (Bhp) does not include transmission losses. Performance ratings do not include the effects of appurtenances (accessories). The sound ratings shown are loudness values in fan sones at 5 ft. (1.5 m) in a hemispherical free field calculated per AMCA Standard 301. Values shown are for installation type A: Free inlet hemispherical sone levels.

Roof Upblast and Sidewall Exhaust Fans

Performance and Dimensional Data

XRUB-240 - Belt Drive

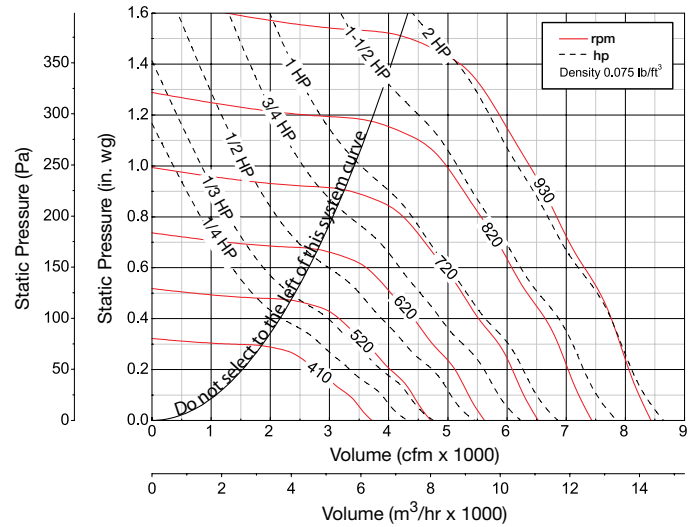


- Damper Size = 24 x 24 (610 x 610)
- Roof Opening = 26 1/2 x 26 1/2 (673 x 673)
- Windband Thickness = 0.064 (1.6)
- Motor Cover Thickness = 0.051 (1.3)
- Curb Cap Thickness = 0.064 (1.6)
- ^Approximate Unit Weight = 175 lbs. (79 kg)

All dimensions in inches (millimeters).

*May be greater depending on motor.

^Weight shown is largest cataloged Open Drip Proof motor.



Model Number	HP (Size)	Fan RPM		cfm / Static Pressure (in. wg)											
				0	0.125	0.25	0.375	0.5	0.625	0.75	1	1.25	1.5		
XRUB-240-4	1/4	410	cfm	3717	3170	2471									
			Bhp	0.16	0.18	0.18									
			sones	6.4	5.8	5.3									
		465	cfm	4216	3768	3188	2162								
			Bhp	0.23	0.25	0.26	0.23								
			sones	7.6	7.0	6.3	5.9								
XRUB-240-3	1/3	510	cfm	4623	4243	3717	3134								
			Bhp	0.31	0.33	0.34	0.34								
			sones	8.9	8.1	7.3	6.9								
XRUB-240-5	1/2	585	cfm	5303	4961	4540	4093	3565							
			Bhp	0.46	0.49	0.51	0.52	0.51							
			sones	11.5	10.5	9.5	8.8	8.4							
XRUB-240-7	3/4	628	cfm	5693	5368	5010	4590	4141	3600						
			Bhp	0.57	0.61	0.63	0.64	0.65	0.63						
			sones	12.9	11.9	11.1	10.4	9.8	9.4						
		670	cfm	6074	5763	5461	5052	4659	4202	3524					
			Bhp	0.69	0.74	0.76	0.78	0.79	0.78	0.73					
			sones	14.3	13.4	12.8	12.2	11.5	11.0	10.6					
XRUB-240-10	1	735	cfm	6663	6370	6133	5764	5409	5037	4618					
			Bhp	0.92	0.97	0.99	1.01	1.03	1.04	1.03					
			sones	16.6	15.9	15.5	15.1	14.6	13.9	13.4					
XRUB-240-15	1 1/2	790	cfm	7162	6883	6661	6361	6011	5693	5332	4453				
			Bhp	1.14	1.20	1.22	1.25	1.27	1.28	1.29	1.24				
			sones	18.2	17.5	17.2	16.8	16.3	15.7	15.0	14.3				
		845	cfm	7660	7400	7184	6947	6615	6304	6002	5282				
			Bhp	1.39	1.46	1.49	1.51	1.54	1.56	1.57	1.56				
			sones	19.6	19.0	18.6	18.2	17.6	17.0	16.4	15.4				
XRUB-240-20	2	888	cfm	8050	7802	7590	7394	7083	6772	6489	5854	5088			
			Bhp	1.62	1.69	1.72	1.75	1.78	1.81	1.82	1.83	1.77			
			sones	21	21	21	20	19.5	18.7	18.0	17.0	16.4			
		930	cfm	8431	8194	7985	7798	7536	7233	6953	6375	5706	4324		
			Bhp	1.86	1.93	1.98	2.00	2.03	2.06	2.08	2.10	2.07	1.83		
			sones	24	23	23	22	22	21	19.9	18.7	17.8	17.9		

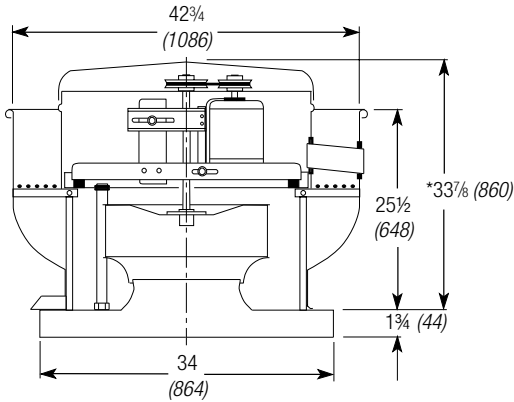
MAXIMUM Bhp AT A GIVEN RPM = (RPM/725)³
 MAXIMUM RPM = 930
 TIP SPEED (ft/min) = RPM x 6.413
 MAXIMUM MOTOR FRAME SIZE = 184T
 AVERAGE DISCHARGE VELOCITY (FPM) = cfm/3.76

Performance certified is for installation type A: Free inlet, Free outlet. Power rating (Bhp) does not include transmission losses. Performance ratings do not include the effects of appurtenances (accessories). The sound ratings shown are loudness values in fan sones at 5 ft. (1.5 m) in a hemispherical free field calculated per AMCA Standard 301. Values shown are for installation type A: Free inlet hemispherical sone levels.

Roof Upblast and Sidewall Exhaust Fans

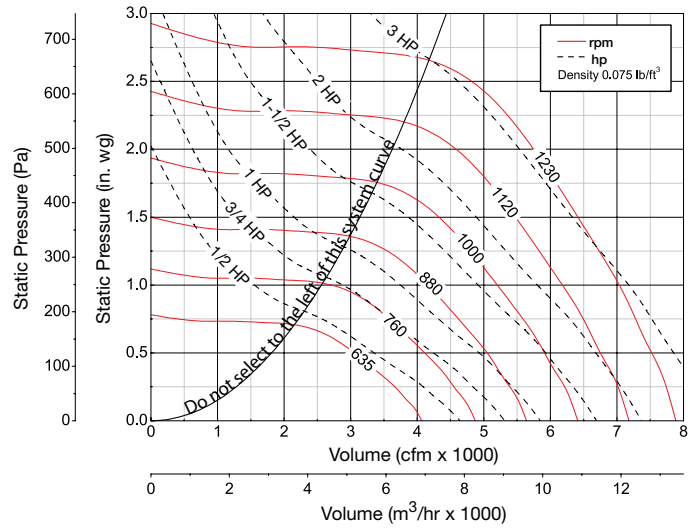
Performance and Dimensional Data

XRUB-240HP - Belt Drive



- Damper Size = 24 x 24 (610 x 610)
- Roof Opening = 26 1/2 x 26 1/2 (673 x 673)
- Windband Thickness = 0.064 (1.6)
- Motor Cover Thickness = 0.051 (1.3)
- Curb Cap Thickness = 0.064 (1.6)
- ^Approximate Unit Weight = 175 lbs. (79 kg)

All dimensions in inches (millimeters).
 *May be greater depending on motor.
 ^Weight shown is largest cataloged Open Drip Proof motor.



Model Number	HP (Size)	Fan RPM		cfm / Static Pressure (in. wg)													
				0.5	0.625	0.75	1	1.25	1.5	1.75	2	2.25	2.5				
XRUB-240HP-5	1/2	635	cfm	3046	2673												
			Bhp	0.43	0.43												
			sones	8.1	7.4												
		675	cfm	3405	3070	2607											
			Bhp	0.51	0.52	0.51											
			sones	9.4	8.8	8.4											
XRUB-240HP-7	3/4	725	cfm	3824	3547	3222											
			Bhp	0.62	0.64	0.65											
			sones	11.3	10.7	10.3											
		775	cfm	4233	3979	3704	2940										
			Bhp	0.75	0.77	0.78	0.77										
			sones	13.1	12.5	12.1	11.8										
XRUB-240HP-10	1	850	cfm	4812	4599	4367	3846	3025									
			Bhp	0.96	0.99	1.01	1.04	1.00									
			sones	14.5	14.0	13.8	13.4	12.6									
XRUB-240HP-15	1 1/2	913	cfm	5286	5094	4890	4448	3932									
			Bhp	1.16	1.20	1.23	1.28	1.29									
			sones	16.4	15.8	15.4	15.2	14.7									
		975	cfm	5737	5567	5387	4988	4539	4006								
			Bhp	1.39	1.43	1.48	1.53	1.56	1.56								
			sones	18.4	17.9	17.3	16.9	16.6	15.9								
XRUB-240HP-20	2	1023	cfm	6075	5927	5756	5389	4995	4533	3854							
			Bhp	1.59	1.63	1.68	1.75	1.80	1.81	1.77							
			sones	20	19.6	19.0	18.3	18.1	17.7	16.4							
		1070	cfm	6404	6272	6112	5775	5407	4990	4550	3625						
			Bhp	1.80	1.84	1.89	1.98	2.04	2.07	2.08	1.95						
			sones	22	22	21	19.7	19.7	18.8	16.6							
XRUB-240HP-30	3	1150	cfm	6960	6836	6711	6406	6077	5735	5335	4925	4212					
			Bhp	2.21	2.26	2.30	2.40	2.48	2.55	2.57	2.58	2.49					
			sones	24	24	23	22	22	22	21	21	20					
		1230	cfm	7513	7395	7280	7016	6730	6410	6090	5709	5326	4722				
			Bhp	2.68	2.73	2.77	2.88	2.98	3.05	3.13	3.14	3.16	3.09				
			sones	26	25	25	25	25	24	24	23	23	25				

MAXIMUM Bhp AT A GIVEN RPM = (RPM/837)³
 MAXIMUM RPM = 1230
 TIP SPEED (ft/min) = RPM x 6.413
 MAXIMUM MOTOR FRAME SIZE = 184T
 AVERAGE DISCHARGE VELOCITY (FPM) = cfm/3.76

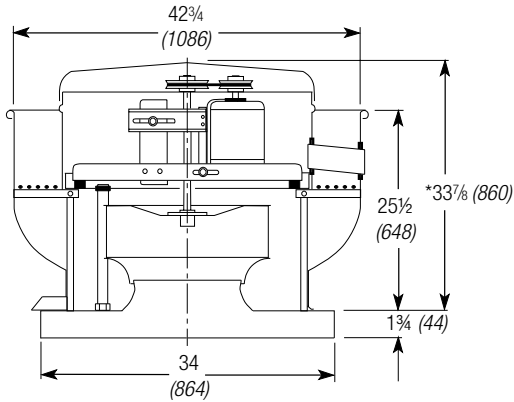
Performance certified is for installation type A: Free inlet, Free outlet. Power rating (Bhp) does not include transmission losses. Performance ratings do not include the effects of appurtenances (accessories). The sound ratings shown are loudness values in fan sones at 5 ft. (1.5 m) in a hemispherical free field calculated per AMCA Standard 301. Values shown are for installation type A: Free inlet hemispherical sone levels.



Roof Upblast and Sidewall Exhaust Fans

Performance and Dimensional Data

XRUB-240XP - Belt Drive

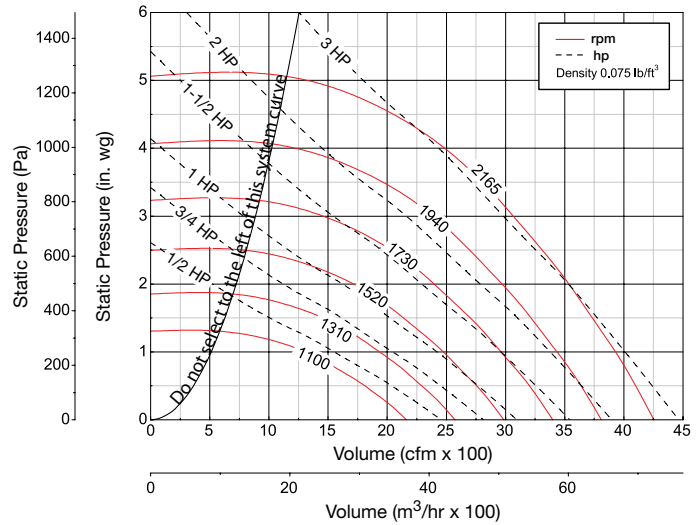


- Damper Size = 24 x 24 (610 x 610)
- Roof Opening = 26 1/2 x 26 1/2 (673 x 673)
- Windband Thickness = 0.064 (1.6)
- Motor Cover Thickness = 0.051 (1.3)
- Curb Cap Thickness = 0.064 (1.6)
- ^Approximate Unit Weight = 175 lbs. (79 kg)

All dimensions in inches (millimeters).

*May be greater depending on motor.

^Weight shown is largest cataloged Open Drip Proof motor.



Model Number	HP (Size)	Fan RPM		cfm / Static Pressure (in. wg)											
				1	1.25	1.5	2	2.5	3	3.5	4	4.5	5		
XRUB-240XP-5	1/2	1100	cfm	1292	789										
			Bhp	0.40	0.34										
			sones	10.9	11.9										
		1195	cfm	1613	1321	792									
			Bhp	0.53	0.51	0.43									
			sones	11.6	12.1	13.4									
XRUB-240XP-7	3/4	1365	cfm	2079	1886	1645									
			Bhp	0.77	0.78	0.77									
			sones	13.6	13.4	13.7									
		1421	cfm	2223	2042	1837	1209								
			Bhp	0.86	0.88	0.88	0.79								
			sones	14.4	14.2	14.2	15.3								
XRUB-240XP-10	1	1500	cfm	2424	2256	2079	1630								
			Bhp	1.00	1.03	1.04	1.01								
			sones	15.9	15.3	15.1	15.5								
		1635	cfm	2743	2604	2450	2101	1631							
			Bhp	1.28	1.31	1.33	1.34	1.28							
			sones	18.6	18.0	17.5	17.0	17.7							
XRUB-240XP-15	1 1/2	1720	cfm	2939	2815	2671	2366	1975	1336						
			Bhp	1.48	1.51	1.53	1.57	1.53	1.35						
			sones	21	19.8	19.2	18.4	18.4	20						
		1895	cfm	3333	3222	3109	2847	2566	2202	1706					
			Bhp	1.94	1.98	2.01	2.07	2.10	2.05	1.92					
			sones	24	23	22	21	21	21	22					
XRUB-240XP-20	2	1956	cfm	3469	3361	3252	3006	2739	2414	2032	1326				
			Bhp	2.13	2.16	2.20	2.26	2.30	2.28	2.21	1.89				
			sones	25	24	23	22	22	21	22	25				
		2030	cfm	3632	3529	3423	3197	2945	2667	2319	1852				
			Bhp	2.37	2.40	2.44	2.51	2.56	2.58	2.51	2.38				
			sones	26	25	25	24	23	23	23	25				
2165	cfm	3927	3830	3733	3535	3305	3063	2787	2461	2048	1324				
	Bhp	2.85	2.89	2.93	3.01	3.07	3.12	3.11	3.05	2.93	2.47				
	sones	29	28	28	27	26	25	25	25	27	31				

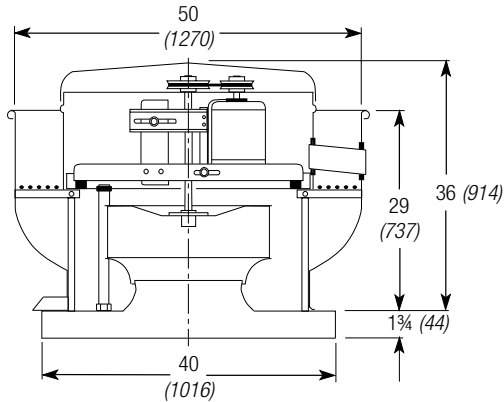
MAXIMUM Bhp AT A GIVEN RPM = (RPM/1478)³
 MAXIMUM RPM = 2165
 TIP SPEED (ft/min) = RPM x 4.778
 MAXIMUM MOTOR FRAME SIZE = 184T
 AVERAGE DISCHARGE VELOCITY (FPM) = cfm/3.76

Performance certified is for installation type A: Free inlet, Free outlet. Power rating (Bhp) does not include transmission losses. Performance ratings do not include the effects of appurtenances (accessories). The sound ratings shown are loudness values in fan sones at 5 ft. (1.5 m) in a hemispherical free field calculated per AMCA Standard 301. Values shown are for installation type A: Free inlet hemispherical sone levels.

Roof Upblast and Sidewall Exhaust Fans

Performance and Dimensional Data

XRUB-300 - Belt Drive

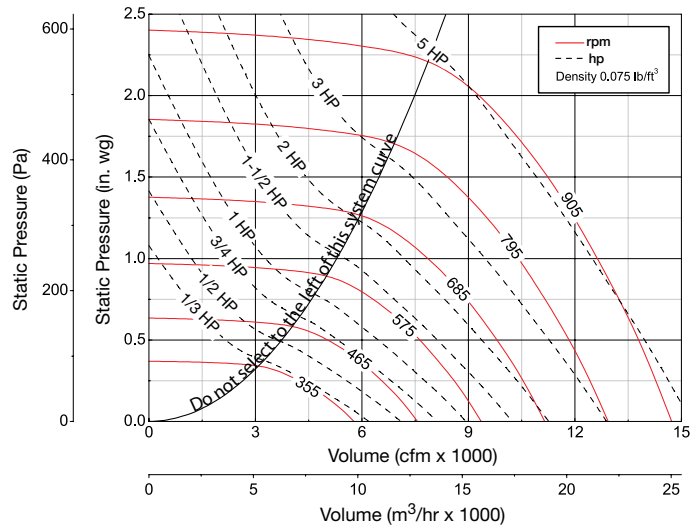


Damper Size = 30 x 30 (762 x 762)
 Roof Opening = 32½ x 32½ (826 x 826)
 Windband Thickness = 0.080 (2.0)
 Motor Cover Thickness = 0.051 (1.3)
 Curb Cap Thickness = 0.064 (1.6)
 ^Approximate Unit Weight = 313 lbs. (142 kg)

All dimensions in inches (millimeters).

*May be greater depending on motor.

^Weight shown is largest cataloged Open Drip Proof motor.



Model Number	HP (Size)	Fan RPM		cfm / Static Pressure (in. wg)												
				0	0.125	0.25	0.5	0.75	1	1.25	1.5	1.75	2			
XRUB-300-3	1/3	355	cfm	5777	5132	4227										
			Bhp	0.27	0.30	0.31										
			sones	6.9	6.3	5.3										
		365	cfm	5939	5316	4463										
			Bhp	0.29	0.33	0.34										
			sones	7.2	6.5	5.7										
XRUB-300-5	1/2	420	cfm	6835	6314	5660										
			Bhp	0.45	0.49	0.52										
			sones	9.0	8.2	7.5										
XRUB-300-7	3/4	480	cfm	7811	7377	6844	5440									
			Bhp	0.67	0.72	0.76	0.77									
			sones	11.0	10.5	9.9	8.5									
XRUB-300-10	1	530	cfm	8625	8231	7772	6636									
			Bhp	0.90	0.95	1.00	1.05									
			sones	13.3	12.7	12.2	11.2									
XRUB-300-15	1½	605	cfm	9845	9501	9127	8226	7084								
			Bhp	1.34	1.40	1.46	1.54	1.55								
			sones	17.0	16.4	15.7	14.8	13.5								
XRUB-300-20	2	665	cfm	10822	10508	10193	9411	8495	7271							
			Bhp	1.77	1.85	1.92	2.02	2.07	2.04							
			sones	20	19.7	18.6	17.5	16.7	15.1							
XRUB-300-30	3	765	cfm	12449	12176	11904	11273	10554	9743	8756	7352					
			Bhp	2.7	2.78	2.86	3.00	3.09	3.15	3.14	2.98					
			sones	24	24	23	22	21	20	18.7	17.0					
XRUB-300-50	5	795	cfm	12937	12675	12413	11818	11145	10404	9479	8302					
			Bhp	3.03	3.12	3.20	3.35	3.46	3.53	3.53	3.43					
			sones	26	25	24	23	22	22	21	18.5					
		850	cfm	13832	13587	13342	12808	12207	11521	10771	9883	8694				
			Bhp	3.71	3.80	3.89	4.05	4.19	4.27	4.32	4.31	4.16				
			sones	29	28	28	26	25	25	24	22	20				
905	cfm	14727	14497	14266	13788	13223	12614	11963	11191	10357	9178					
	Bhp	4.47	4.57	4.67	4.85	5.00	5.11	5.19	5.21	5.20	5.01					
	sones	32	32	32	29	28	28	27	26	24	22					

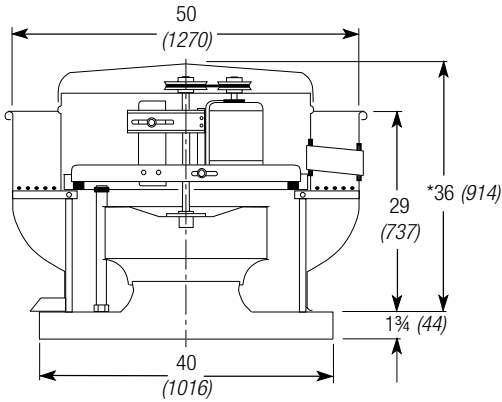
MAXIMUM Bhp AT A GIVEN RPM = (RPM/522)³
 MAXIMUM RPM = 905
 TIP SPEED (ft/min) = RPM x 7.983
 MAXIMUM MOTOR FRAME SIZE = 213T
 AVERAGE DISCHARGE VELOCITY (FPM) = cfm/5.50

Performance certified is for installation type A: Free inlet, Free outlet. Power rating (Bhp) does not include transmission losses. Performance ratings do not include the effects of appurtenances (accessories). The sound ratings shown are loudness values in fan sones at 5 ft. (1.5 m) in a hemispherical free field calculated per AMCA Standard 301. Values shown are for installation type A: Free inlet hemispherical sone levels.

Roof Upblast and Sidewall Exhaust Fans

Performance and Dimensional Data

XRUB-300HP - Belt Drive

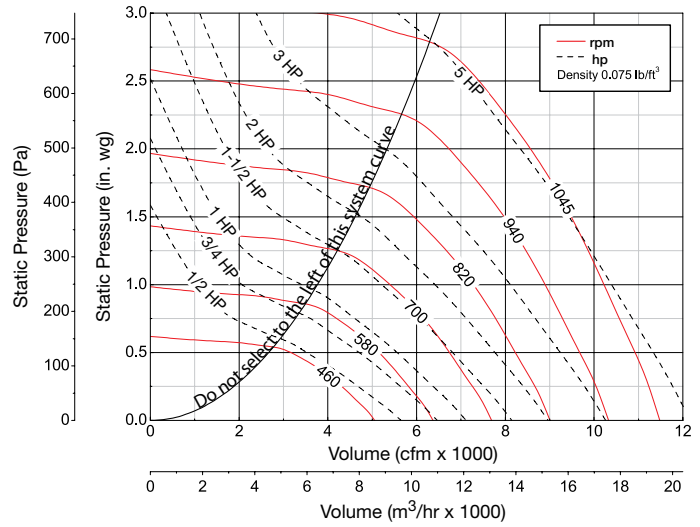


- Damper Size = 30 x 30 (762 x 762)
- Roof Opening = 32½ x 32½ (826 x 826)
- Windband Thickness = 0.080 (2.0)
- Motor Cover Thickness = 0.051 (1.3)
- Curb Cap Thickness = 0.064 (1.6)
- ^Approximate Unit Weight = 313 lbs. (142 kg)

All dimensions in inches (millimeters).

*May be greater depending on motor.

^Weight shown is largest cataloged Open Drip Proof motor.



Model Number	HP (Size)	Fan RPM		cfm / Static Pressure (in. wg)															
				0.5	0.75	1	1.25	1.5	1.75	2	2.25	2.5	2.75						
XRUB-300HP-5	1/2	460	cfm	3125															
			Bhp	0.44															
			sones	7.3															
		485	cfm	3639															
			Bhp	0.52															
			sones	7.9															
XRUB-300HP-7	3/4	555	cfm	4788	3651														
			Bhp	0.77	0.76														
			sones	10.4	9.9														
XRUB-300HP-10	1	610	cfm	5549	4731														
			Bhp	1.00	1.03														
			sones	12.4	11.3														
XRUB-300HP-15	1½	700	cfm	6741	6149	5390													
			Bhp	1.47	1.53	1.57													
			sones	16.0	15.2	14.0													
XRUB-300HP-20	2	770	cfm	7613	7107	6535	5814	4684											
			Bhp	1.91	2.00	2.06	2.09	1.99											
			sones	18.6	18.1	17.4	16.2	16.0											
XRUB-300HP-30	3	828	cfm	8324	7879	7373	6776	6059											
			Bhp	2.34	2.45	2.52	2.57	2.58											
			sones	21	21	20	19.1	18.3											
		885	cfm	9014	8603	8150	7678	7062	6353										
			Bhp	2.83	2.94	3.03	3.12	3.15	3.14										
			sones	23	23	23	22	21	21										
XRUB-300HP-50	5	938	cfm	9649	9262	8859	8413	7923	7331	6624									
			Bhp	3.34	3.46	3.57	3.66	3.73	3.76	3.73									
			sones	26	26	26	25	24	23	23									
		991	cfm	10275	9913	9546	9133	8711	8201	7641	6946								
			Bhp	3.90	4.03	4.16	4.26	4.35	4.41	4.44	4.39								
			sones	30	29	29	28	28	27	26	25								
1045	cfm	10909	10570	10222	9855	9455	9054	8533	8002	7330	6463								
	Bhp	4.54	4.68	4.82	4.94	5.04	5.13	5.17	5.21	5.15	4.99								
	sones	35	34	34	33	32	31	31	30	28	27								

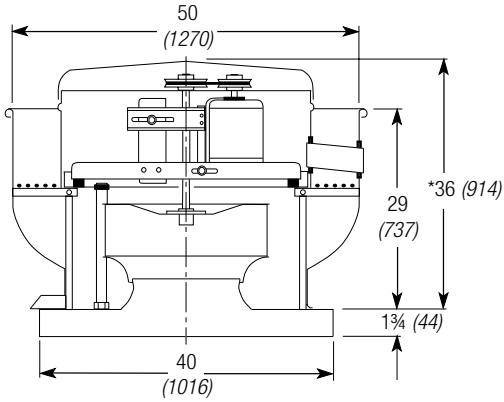
MAXIMUM Bhp AT A GIVEN RPM = (RPM/602)³
 MAXIMUM RPM = 1045
 TIP SPEED (ft/min) = RPM x 7.983
 MAXIMUM MOTOR FRAME SIZE = 213T
 AVERAGE DISCHARGE VELOCITY (FPM) = cfm/5.50

Performance certified is for installation type A: Free inlet, Free outlet. Power rating (Bhp) does not include transmission losses. Performance ratings do not include the effects of appurtenances (accessories). The sound ratings shown are loudness values in fan sones at 5 ft. (1.5 m) in a hemispherical free field calculated per AMCA Standard 301. Values shown are for installation type A: Free inlet hemispherical sone levels.

Roof Upblast and Sidewall Exhaust Fans

Performance and Dimensional Data

XRUB-300XP - Belt Drive

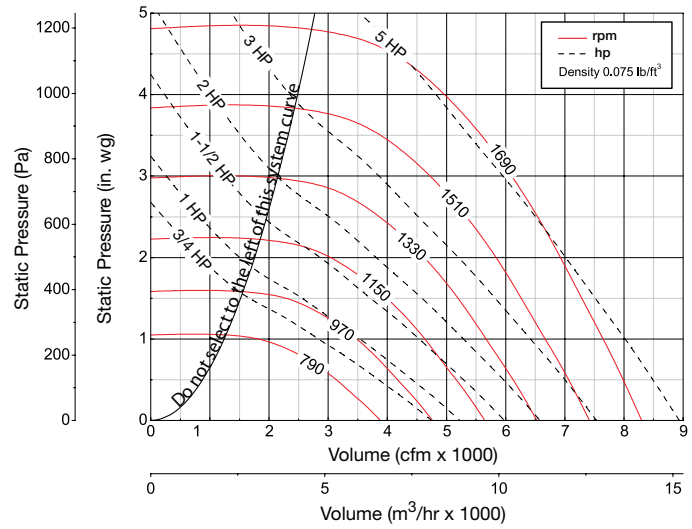


- Damper Size = 30 x 30 (762 x 762)
- Roof Opening = 32½ x 32½ (826 x 826)
- Windband Thickness = 0.080 (2.0)
- Motor Cover Thickness = 0.051 (1.3)
- Curb Cap Thickness = 0.064 (1.6)
- ^Approximate Unit Weight = 313 lbs. (142 kg)

All dimensions in inches (millimeters).

*May be greater depending on motor.

^Weight shown is largest cataloged Open Drip Proof motor.



Model Number	HP (Size)	Fan RPM		cfm / Static Pressure (in. wg)												
				1	1.25	1.5	2	2.5	3	3.5	4	4.5	4.75			
XRUB-300XP-7	3/4	790	cfm	1776												
			Bhp	0.48												
		900	cfm	2958	2273											
			Bhp	0.79	0.75											
XRUB-300XP-10	1	990	cfm	3619	3167	2538										
			Bhp	1.04	1.05	1.00										
			sones	14.6	13.4	12.8										
XRUB-300XP-15	1½	1060	cfm	4073	3708	3255										
			Bhp	1.25	1.28	1.28										
		1130	cfm	4511	4201	3833	2773									
			Bhp	1.48	1.53	1.56	1.46									
XRUB-300XP-20	2	1245	cfm	5182	4930	4648	3943	2705								
			Bhp	1.92	1.99	2.04	2.08	1.86								
			sones	22	21	20	18.6	17.9								
XRUB-300XP-30	3	1335	cfm	5695	5465	5220	4648	3905								
			Bhp	2.32	2.40	2.47	2.56	2.53								
		1425	cfm	6199	5983	5768	5286	4695	3886							
			Bhp	2.78	2.86	2.95	3.07	3.14	3.03							
XRUB-300XP-50	5	1493	cfm	6574	6369	6164	5722	5200	4550	3646						
			Bhp	3.16	3.25	3.34	3.49	3.58	3.57	3.37						
		1560	cfm	6941	6746	6549	6143	5684	5134	4441	3049					
			Bhp	3.57	3.67	3.76	3.93	4.05	4.12	4.02	3.50					
		1690	cfm	7643	7464	7284	6920	6528	6091	5587	4951	4100	3070			
			Bhp	4.47	4.57	4.68	4.87	5.04	5.16	5.24	5.14	4.88	4.32			
			sones	36	35	34	33	31	30	29	28	28	28			

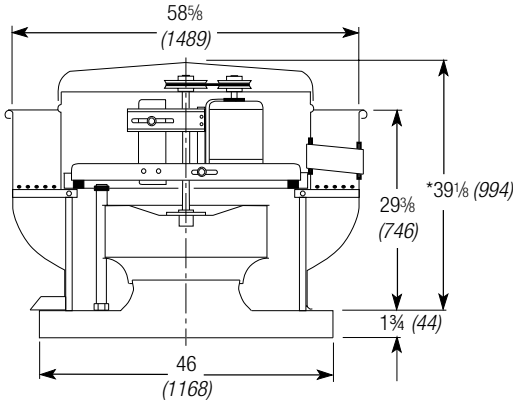
MAXIMUM Bhp AT A GIVEN RPM = (RPM/972)³
 MAXIMUM RPM = 1690
 TIP SPEED (ft/min) = RPM x 5.825
 MAXIMUM MOTOR FRAME SIZE = 213T
 AVERAGE DISCHARGE VELOCITY (FPM) = cfm/5.50

Performance certified is for installation type A: Free inlet, Free outlet. Power rating (Bhp) does not include transmission losses. Performance ratings do not include the effects of appurtenances (accessories). The sound ratings shown are loudness values in fan sones at 5 ft. (1.5 m) in a hemispherical free field calculated per AMCA Standard 301. Values shown are for installation type A: Free inlet hemispherical sone levels.

Roof Upblast and Sidewall Exhaust Fans

Performance and Dimensional Data

XRUB-360 - Belt Drive

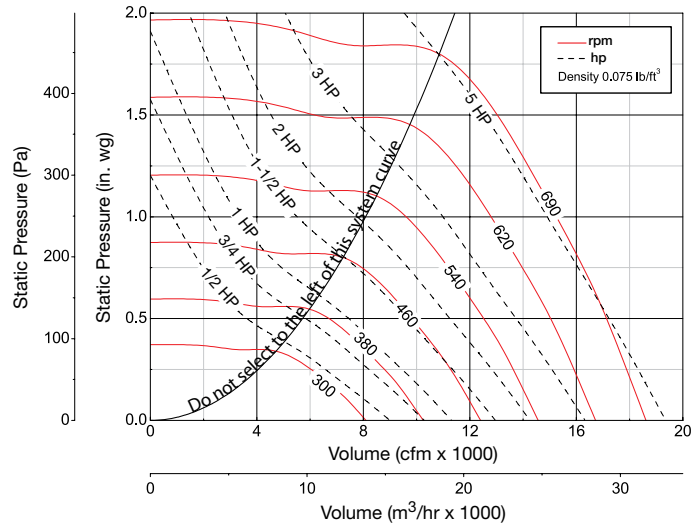


Damper Size = 36 x 36 (914 x 914)
 Roof Opening = 38 1/2 x 38 1/2 (978 x 978)
 Windband Thickness = 0.080 (2.0)
 Motor Cover Thickness = 0.064 (1.6)
 Curb Cap Thickness = 0.080 (2.0)
 ^Approximate Unit Weight = 440 lbs. (200 kg)

All dimensions in inches (millimeters).

*May be greater depending on motor.

^Weight shown is largest cataloged Open Drip Proof motor.



Model Number	HP (Size)	Fan RPM		cfm / Static Pressure (in. wg)													
				0	0.125	0.25	0.375	0.5	0.75	1	1.25	1.5	1.75				
XRUB-360-5	1/2	300	cfm	8092	7206	6023											
			Bhp	0.37	0.42	0.43											
			sones	6.9	5.9	5.4											
		320	cfm	8631	7820	6755	5256										
			Bhp	0.44	0.50	0.52	0.51										
			sones	7.7	6.8	6.0	6.6										
XRUB-360-7	3/4	365	cfm	9845	9142	8299	7286	5767									
			Bhp	0.66	0.72	0.77	0.78	0.74									
			sones	10.2	9.4	8.5	8.0	8.3									
XRUB-360-10	1	400	cfm	10789	10153	9426	8556	7575									
			Bhp	0.87	0.94	0.99	1.02	1.02									
			sones	12.7	11.9	11.1	10.3	9.9									
XRUB-360-15	1 1/2	460	cfm	12408	11862	11281	10587	9814	7809								
			Bhp	1.32	1.40	1.48	1.53	1.55	1.52								
			sones	16.8	16.5	15.8	15.1	14.5	13.5								
XRUB-360-20	2	505	cfm	13621	13125	12602	12022	11359	9878								
			Bhp	1.74	1.83	1.92	1.99	2.04	2.06								
			sones	20	20	19.8	19.0	18.6	17.9								
XRUB-360-30	3	543	cfm	14646	14184	13705	13209	12606	11302	9606							
			Bhp	2.17	2.26	2.36	2.45	2.50	2.56	2.52							
			sones	22	22	21	21	20	19.3	18.2							
		580	cfm	15644	15212	14769	14306	13783	12597	11287	9381						
			Bhp	2.64	2.74	2.84	2.94	3.02	3.10	3.13	3.02						
			sones	23	23	23	22	22	21	20	18.4						
XRUB-360-50	5	617	cfm	16642	16236	15826	15391	14942	13862	12684	11227						
			Bhp	3.18	3.29	3.40	3.50	3.60	3.71	3.76	3.73						
			sones	25	25	25	24	24	23	22	21						
		654	cfm	17640	17257	16873	16466	16056	15084	14000	12831	11217					
			Bhp	3.78	3.90	4.02	4.13	4.24	4.39	4.46	4.48	4.38					
			sones	27	27	27	26	26	25	23	22	21					
690	cfm	18611	18248	17884	17504	17115	16236	15243	14187	12985	11290						
	Bhp	4.44	4.57	4.69	4.81	4.93	5.11	5.21	5.26	5.25	5.09						
	sones	30	29	28	28	28	27	25	24	23	22						

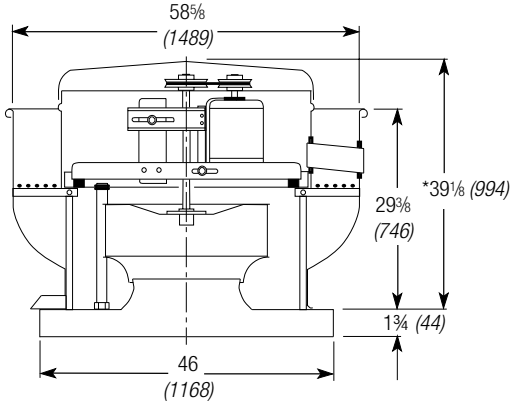
MAXIMUM Bhp AT A GIVEN RPM = (RPM/396)³
 MAXIMUM RPM = 690
 TIP SPEED (ft/min) = RPM x 9.425
 MAXIMUM MOTOR FRAME SIZE = 213T
 AVERAGE DISCHARGE VELOCITY (FPM) = cfm/7.25

Performance certified is for installation type A: Free inlet, Free outlet. Power rating (Bhp) does not include transmission losses. Performance ratings do not include the effects of appurtenances (accessories). The sound ratings shown are loudness values in fan sones at 5 ft. (1.5 m) in a hemispherical free field calculated per AMCA Standard 301. Values shown are for installation type A: Free inlet hemispherical sone levels.

Roof Upblast and Sidewall Exhaust Fans

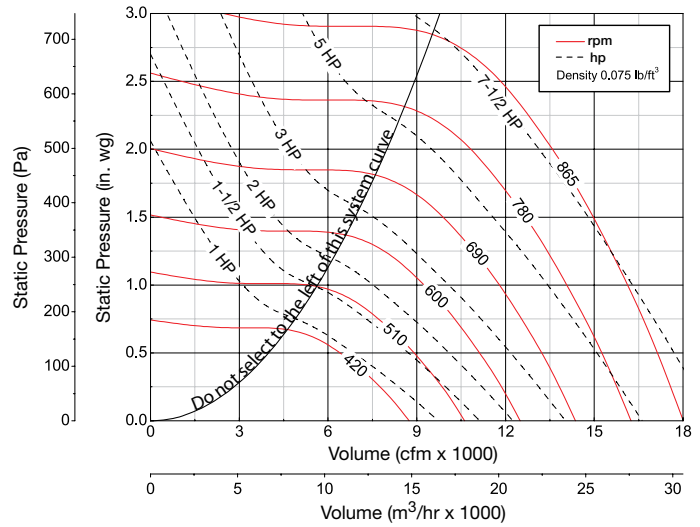
Performance and Dimensional Data

XRUB-360HP - Belt Drive



- Damper Size = 36 x 36 (914 x 914)
- Roof Opening = 38 1/2 x 38 1/2 (978 x 978)
- Windband Thickness = 0.080 (2.0)
- Motor Cover Thickness = 0.064 (1.6)
- Curb Cap Thickness = 0.080 (2.0)
- ^Approximate Unit Weight = 440 lbs. (200 kg)

All dimensions in inches (millimeters).
 *May be greater depending on motor.
 ^Weight shown is largest cataloged Open Drip Proof motor.



Model Number	HP (Size)	Fan RPM		cfm / Static Pressure (in. wg)													
				0.5	0.75	1	1.25	1.5	1.75	2	2.25	2.5	2.75				
XRUB-360HP-10	1	420	cfm	6407													
			Bhp	0.90													
			sones	9.6													
		440	cfm	7003													
			Bhp	1.03													
			sones	10.8													
XRUB-360HP-15	1 1/2	505	cfm	8765	7539												
			Bhp	1.52	1.57												
			sones	15.3	14.3												
XRUB-360HP-20	2	555	cfm	10029	9046	7766											
			Bhp	1.97	2.06	2.08											
			sones	17.2	16.2	15.4											
XRUB-360HP-30	3	595	cfm	10996	10129	9094	7488										
			Bhp	2.40	2.50	2.57	2.49										
			sones	18.9	17.7	16.8	16.1										
		635	cfm	11934	11157	10276	9171	7329									
			Bhp	2.87	3.00	3.09	3.12	2.95									
			sones	21	19.5	18.2	17.8	17.3									
XRUB-360HP-50	5	695	cfm	13321	12662	11902	11053	10026	8393								
			Bhp	3.70	3.86	3.98	4.07	4.09	3.92								
			sones	24	23	22	20	20	19.6								
		755	cfm	14688	14086	13434	12734	11922	10973	9593							
			Bhp	4.68	4.86	5.01	5.14	5.23	5.24	5.10							
			sones	28	27	26	25	24	23	22							
XRUB-360HP-75	7 1/2	781	cfm	15275	14693	14086	13410	12681	11831	10852	9149						
			Bhp	5.15	5.34	5.51	5.64	5.75	5.81	5.79	5.51						
			sones	30	29	28	27	27	26	24	23						
		824	cfm	16232	15689	15137	14511	13869	13127	12290	11354	9683					
			Bhp	6.00	6.20	6.40	6.54	6.69	6.78	6.82	6.79	6.48					
			sones	31	29	27	28	29	28	26	25	24					
865	cfm	17129	16631	16105	15544	14933	14315	13565	12738	11789	10197						
	Bhp	6.89	7.11	7.32	7.50	7.64	7.79	7.87	7.89	7.83	7.50						
	sones	33	32	30	29	29	29	28	27	25	23						

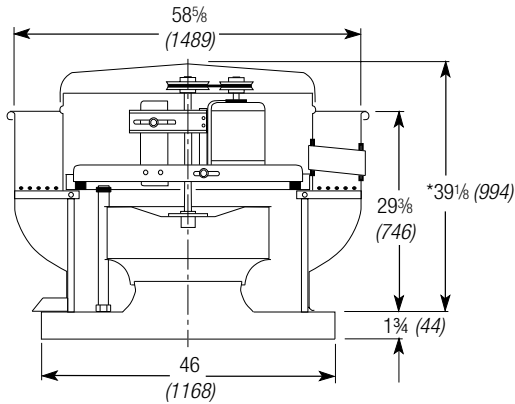
MAXIMUM Bhp AT A GIVEN RPM = (RPM/434)³
 MAXIMUM RPM = 865
 TIP SPEED (ft/min) = RPM x 9.425
 MAXIMUM MOTOR FRAME SIZE = 213T
 AVERAGE DISCHARGE VELOCITY (FPM) = cfm/7.25

Performance certified is for installation type A: Free inlet, Free outlet. Power rating (Bhp) does not include transmission losses. Performance ratings do not include the effects of appurtenances (accessories). The sound ratings shown are loudness values in fan sones at 5 ft. (1.5 m) in a hemispherical free field calculated per AMCA Standard 301. Values shown are for installation type A: Free inlet hemispherical sone levels.

Roof Upblast and Sidewall Exhaust Fans

Performance and Dimensional Data

XRUB-360XP - Belt Drive

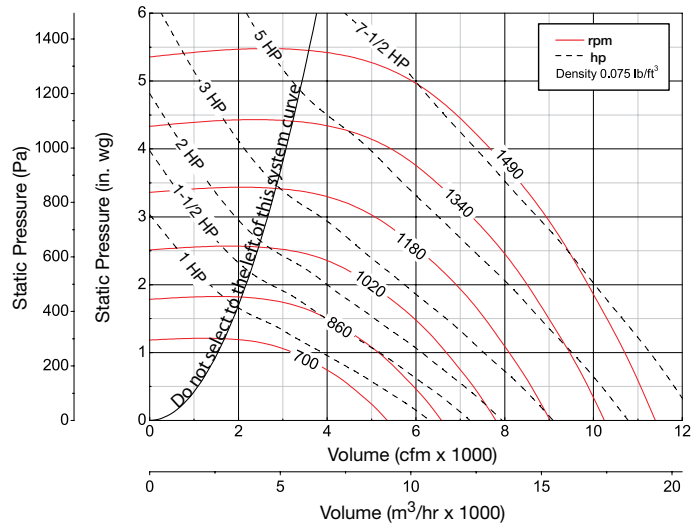


- Damper Size = 36 x 36 (914 x 914)
- Roof Opening = 38 1/2 x 38 1/2 (978 x 978)
- Windband Thickness = 0.080 (2.0)
- Motor Cover Thickness = 0.064 (1.6)
- Curb Cap Thickness = 0.080 (2.0)
- ^Approximate Unit Weight = 440 lbs. (200 kg)

All dimensions in inches (millimeters).

*May be greater depending on motor.

^Weight shown is largest cataloged Open Drip Proof motor.



Model Number	HP (Size)	Fan RPM		cfm / Static Pressure (in. wg)														
				1	1.25	1.5	2	2.5	3	3.5	4	4.5	5					
XRUB-360XP-10	1	700	cfm	3210														
			Bhp	0.81														
			sones	10.5														
		760	cfm	4020	3225													
			Bhp	1.05	1.01													
			sones	11.1	11.1													
XRUB-360XP-15	1 1/2	870	cfm	5243	4740	4112												
			Bhp	1.53	1.57	1.55												
			sones	13.6	12.7	12.3												
XRUB-360XP-20	2	955	cfm	6081	5679	5216	3949											
			Bhp	1.97	2.04	2.08	1.98											
			sones	15.4	15.4	14.2	13.0											
XRUB-360XP-30	3	1025	cfm	6722	6396	6001	5035	3264										
			Bhp	2.38	2.47	2.54	2.55	2.18										
			sones	17.1	16.5	16.2	14.5	13.4										
		1095	cfm	7351	7050	6724	5930	4905										
			Bhp	2.85	2.95	3.03	3.13	3.07										
			sones	19.2	18.4	17.8	16.4	15.4										
XRUB-360XP-50	5	1163	cfm	7945	7669	7386	6712	5867	4700									
			Bhp	3.36	3.47	3.57	3.73	3.75	3.54									
			sones	21	21	19.9	18.6	17.3	16.5									
		1231	cfm	8528	8278	8011	7422	6711	5824	4551								
			Bhp	3.91	4.05	4.15	4.35	4.45	4.40	4.04								
			sones	23	23	22	21	19.4	18.5	18.0								
1300	cfm	9113	8881	8635	8125	7502	6764	5867	4286									
	Bhp	4.54	4.69	4.82	5.04	5.21	5.24	5.15	4.52									
	sones	26	25	24	23	22	21	20	20									
XRUB-360XP-75	7 1/2	1395	cfm	9910	9693	9477	9009	8490	7905	7193	6348	5143						
			Bhp	5.50	5.67	5.83	6.08	6.30	6.48	6.48	6.37	5.87						
			sones	29	28	27	26	25	24	23	23	23						
		1490	cfm	10699	10496	10294	9871	9429	8907	8340	7673	6881	5830					
			Bhp	6.61	6.78	6.96	7.27	7.52	7.73	7.89	7.90	7.78	7.34					
			sones	33	32	31	30	29	27	26	26	26	26					

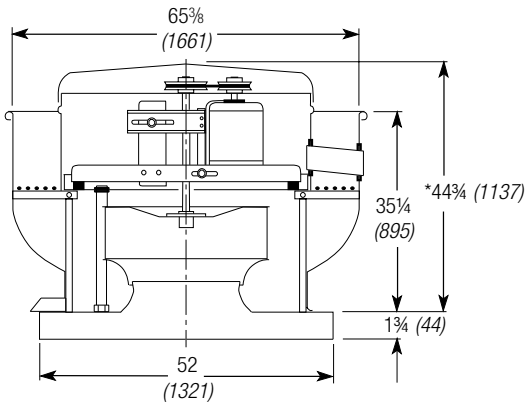
MAXIMUM Bhp AT A GIVEN RPM = (RPM/748)³
 MAXIMUM RPM = 1490
 TIP SPEED (ft/min) = RPM x 7.069
 MAXIMUM MOTOR FRAME SIZE = 213T
 AVERAGE DISCHARGE VELOCITY (FPM) = cfm/7.25

Performance certified is for installation type A: Free inlet, Free outlet. Power rating (Bhp) does not include transmission losses. Performance ratings do not include the effects of appurtenances (accessories). The sound ratings shown are loudness values in fan sones at 5 ft. (1.5 m) in a hemispherical free field calculated per AMCA Standard 301. Values shown are for installation type A: Free inlet hemispherical sone levels.

Roof Upblast and Sidewall Exhaust Fans

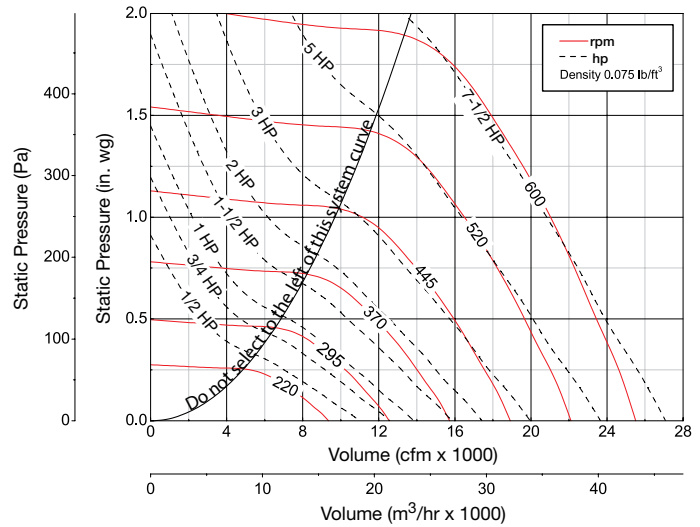
Performance and Dimensional Data

XRUB-420 - Belt Drive



Damper Size = 42 x 42 (1067 x 1067)
 Roof Opening = 44½ x 44½ (1130 x 1130)
 Windband Thickness = 0.080 (2.0)
 Motor Cover Thickness = 0.064 (1.6)
 Curb Cap Thickness = 0.100 (2.5)
 ^Approximate Unit Weight = 578 lbs. (262 kg)

All dimensions in inches (millimeters).
 *May be greater depending on motor.
 ^Weight shown is largest cataloged Open Drip Proof motor.



Model Number	HP (Size)	Fan RPM		cfm / Static Pressure (in. wg)												
				0	0.125	0.25	0.375	0.5	0.75	1	1.25	1.5	1.75			
XRUB-420-5	1/2	220	cfm	9353	7846	5075										
			Bhp	0.31	0.37	0.35										
			sones	6.5	6.0	5.5										
		245	cfm	10416	9104	7304										
			Bhp	0.43	0.50	0.53										
			sones	7.2	6.7	6.1										
XRUB-420-7	3/4	280	cfm	11904	10785	9418	7419									
			Bhp	0.64	0.73	0.78	0.77									
			sones	8.3	7.7	7.1	6.6									
XRUB-420-10	1	305	cfm	12966	11959	10781	9272									
			Bhp	0.82	0.94	1.00	1.02									
			sones	9.4	8.8	8.0	7.3									
XRUB-420-15	1½	350	cfm	14879	14037	13050	11925	10562								
			Bhp	1.24	1.38	1.46	1.52	1.54								
			sones	11.9	11.2	10.1	9.4	8.6								
XRUB-420-20	2	385	cfm	16367	15629	14731	13791	12701	9246							
			Bhp	1.65	1.81	1.91	1.99	2.05	1.92							
			sones	14.4	13.5	12.4	11.7	10.7	8.5							
XRUB-420-30	3	415	cfm	17643	16982	16148	15303	14363	12028							
			Bhp	2.07	2.24	2.37	2.45	2.53	2.56							
			sones	17.2	16.1	14.9	13.8	13.0	10.9							
		440	cfm	18706	18103	17316	16532	15691	13652	10151						
			Bhp	2.47	2.65	2.81	2.89	2.98	3.07	2.82						
			sones	17.7	17.1	16.0	14.7	14.6	12.8	10.6						
XRUB-420-50	5	525	cfm	22319	21817	21220	20560	19904	18497	16795	14802					
			Bhp	4.19	4.41	4.61	4.78	4.88	5.10	5.20	5.16					
			sones	23	22	22	21	20	19.1	18.1	17.6					
XRUB-420-75	7½	565	cfm	24020	23553	23030	22417	21806	20544	19112	17437	15398				
			Bhp	5.23	5.46	5.68	5.88	6.02	6.25	6.43	6.5	6.38				
			sones	26	25	25	25	24	23	21	21	21				
		600	cfm	25508	25069	24604	24027	23451	22295	21023	19561	17884	15479			
			Bhp	6.26	6.51	6.75	6.96	7.15	7.38	7.63	7.75	7.77	7.47			
			sones	29	29	29	28	28	27	25	24	24	26			

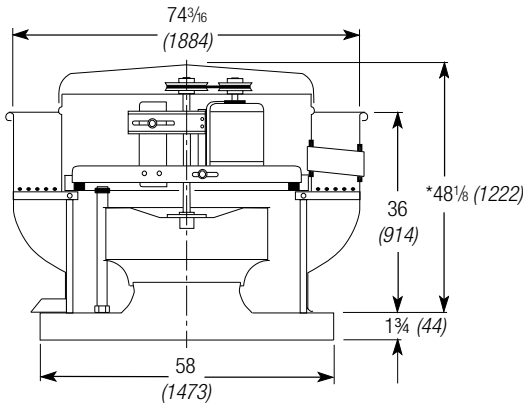
MAXIMUM Bhp AT A GIVEN RPM = (RPM/303)³
 MAXIMUM RPM = 600
 TIP SPEED (ft/min) = RPM x 11.06
 MAXIMUM MOTOR FRAME SIZE = 213T
 AVERAGE DISCHARGE VELOCITY (FPM) = cfm/8.99

Performance certified is for installation type A: Free inlet, Free outlet. Power rating (Bhp) does not include transmission losses. Performance ratings do not include the effects of appurtenances (accessories). The sound ratings shown are loudness values in fan sones at 5 ft. (1.5 m) in a hemispherical free field calculated per AMCA Standard 301. Values shown are for installation type A: Free inlet hemispherical sone levels.

Roof Upblast and Sidewall Exhaust Fans

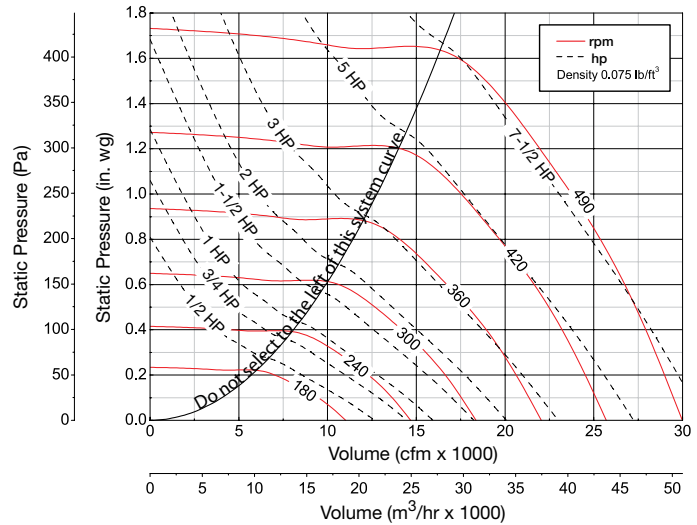
Performance and Dimensional Data

XRUB-480 - Belt Drive



Damper Size = 48 x 48 (1219 x 1219)
 Roof Opening = 50 1/2 x 50 1/2 (1283 x 1283)
 Windband Thickness = 0.080 (2.0)
 Motor Cover Thickness = 0.064 (1.6)
 Curb Cap Thickness = 0.100 (2.5)
 ^Approximate Unit Weight = 675 lbs. (306 kg)

All dimensions in inches (millimeters).
 *May be greater depending on motor.
 ^Weight shown is largest cataloged Open Drip Proof motor.



Model Number	HP (Size)	Fan RPM		cfm / Static Pressure (in. wg)											
				0	0.125	0.25	0.375	0.5	0.625	0.75	1	1.25	1.5		
XRUB-480-5	1/2	180	cfm	11016	8924										
			Bhp	0.33	0.39										
			sones	5.5	4.9										
		200	cfm	12240	10490	7688									
			Bhp	0.45	0.53	0.52									
			sones	6.3	5.8	5.3									
XRUB-480-7	3/4	225	cfm	13770	12261	10132									
			Bhp	0.65	0.73	0.76									
			sones	7.5	7.0	6.6									
XRUB-480-10	1	250	cfm	15300	13988	12248	9988								
			Bhp	0.88	0.98	1.04	1.03								
			sones	9.0	8.5	8.2	7.9								
XRUB-480-15	1 1/2	285	cfm	17442	16332	14991	13240	11154							
			Bhp	1.31	1.43	1.52	1.55	1.52							
			sones	11.1	10.6	10.0	9.6	9.2							
XRUB-480-20	2	315	cfm	19278	18274	17116	15719	14033	11996						
			Bhp	1.77	1.9	2.01	2.08	2.09	2.03						
			sones	12.9	12.5	11.8	11.3	10.4	10.2						
XRUB-480-30	3	360	cfm	22032	21153	20222	19142	17848	16410	14749					
			Bhp	2.64	2.79	2.93	3.05	3.10	3.12	3.08					
			sones	16.8	16.5	16.1	15.3	14.7	13.7	12.7					
XRUB-480-50	5	395	cfm	24174	23373	22572	21605	20621	19343	18035	14722				
			Bhp	3.49	3.65	3.81	3.94	4.07	4.11	4.13	3.97				
			sones	21	20	20	19.2	18.5	17.6	16.6	14.9				
		425	cfm	26010	25266	24521	23679	22764	21766	20556	17922				
			Bhp	4.35	4.52	4.69	4.85	4.98	5.09	5.12	5.09				
			sones	22	21	21	20	19.4	18.7	17.7	15.6				
XRUB-480-75	7 1/2	460	cfm	28152	27464	26776	26064	25219	24373	23399	21163	18582			
			Bhp	5.51	5.7	5.89	6.07	6.22	6.37	6.46	6.52	6.42			
			sones	25	24	24	23	22	22	21	18.5	18.7			
		490	cfm	29988	29342	28697	28051	27291	26497	25704	23674	21437	18846		
			Bhp	6.66	6.86	7.06	7.26	7.43	7.59	7.75	7.85	7.84	7.67		
			sones	28	27	27	26	25	25	24	22	20	24		

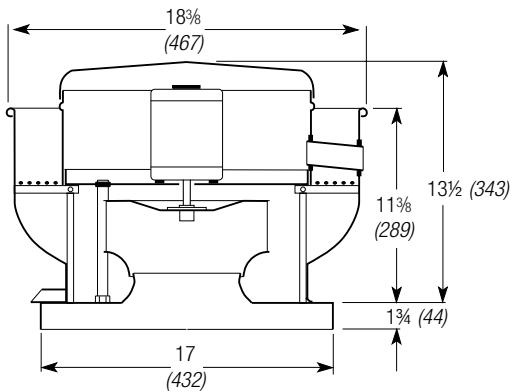
MAXIMUM Bhp AT A GIVEN RPM = (RPM/246)³
 MAXIMUM RPM = 490
 TIP SPEED (ft/min) = RPM x 12.63
 MAXIMUM MOTOR FRAME SIZE = 213T
 AVERAGE DISCHARGE VELOCITY (FPM) = cfm/11.72

Performance certified is for installation type A: Free inlet, Free outlet. Power rating (Bhp) does not include transmission losses. Performance ratings do not include the effects of appurtenances (accessories). The sound ratings shown are loudness values in fan sones at 5 ft. (1.5 m) in a hemispherical free field calculated per AMCA Standard 301. Values shown are for installation type A: Free inlet hemispherical sone levels.

Roof Upblast and Sidewall Exhaust Fans

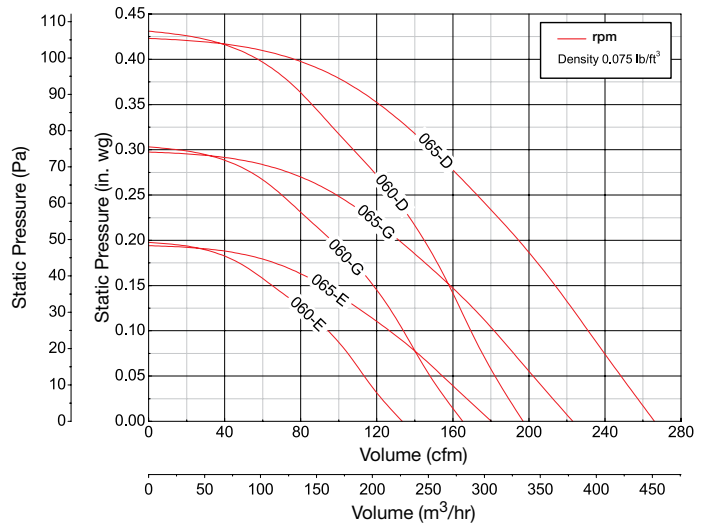
Performance and Dimensional Data

XRUD-060 and 065 - Direct Drive



Damper Size = 8 x 8 (203 x 203)
 Roof Opening = 10 1/2 x 10 1/2 (267 x 267)
 ^Approximate Unit Weight = 29 lbs. (13 kg)

All dimensions in inches (millimeters).
 ^Weight shown is largest cataloged Open Drip Proof motor.



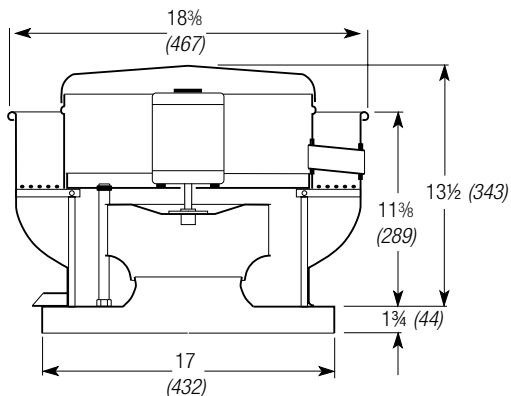
Model Number	HP (Size)	Fan RPM		cfm / Static Pressure (in. wg)										
				0	0.05	0.1	0.125	0.15	0.2	0.25	0.3	0.35	0.375	
XRUD-060-E	1/200	1050	cfm	133	113	94	81	65						
			Bhp	0.01	0.01	0.01	0.01	0.01						
			sones	1.7	1.7	1.7	1.7	1.7						
XRUD-060-G	1/100	1300	cfm	165	148	134	126	117	96	70				
			Bhp	0.01	0.01	0.01	0.01	0.01	0.01	0.01				
			sones	2.8	2.6	2.5	2.5	2.5	2.5	2.5				
XRUD-060-D	1/60	1550	cfm	197	183	169	164	158	143	128	107	85		
			Bhp	0.02	0.02	0.02	0.02	0.02	0.02	0.02	0.02	0.02		
			sones	4.2	3.9	3.9	3.9	3.9	4.0	4.0	4.0	4.0		
XRUD-065-E	1/100	1050	cfm	180	154	126	109	89						
			Bhp	0.01	0.01	0.01	0.01	0.01						
			sones	2.2	2.0	1.9	2.0	2.2						
XRUD-065-G	1/60	1300	cfm	223	202	181	170	158	129	97				
			Bhp	0.02	0.02	0.02	0.02	0.02	0.02	0.02				
			sones	3.2	3.2	3.1	3.1	3.0	3.0	2.9				
XRUD-065-D	1/30	1550	cfm	266	249	231	222	214	194	172	145	119	95	
			Bhp	0.03	0.03	0.03	0.03	0.03	0.03	0.03	0.03	0.03	0.03	
			sones	4.7	4.2	4.2	4.2	4.2	4.1	4.1	4.0	4.0	3.9	

Performance certified is for installation type A: Free inlet, Free outlet. Performance ratings do not include the effects of appurtenances (accessories). The sound ratings shown are loudness values in fan sones at 5 ft. (1.5 m) in a hemispherical free field calculated per AMCA Standard 301. Values shown are for installation type A: Free inlet hemispherical sone levels.

Roof Upblast and Sidewall Exhaust Fans

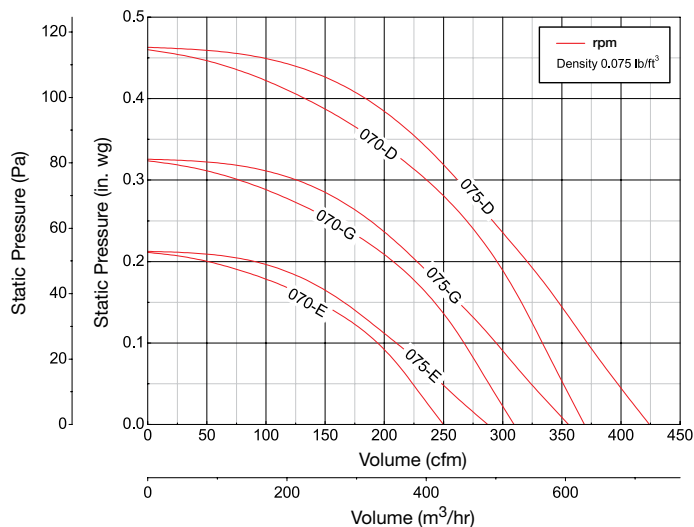
Performance and Dimensional Data

XRUD-070 and 075 - Direct Drive



Damper Size = 8 x 8 (203 x 203)
 Roof Opening = 10 1/2 x 10 1/2 (267 x 267)
 ^Approximate Unit Weight = 29 lbs. (13 kg)

All dimensions in inches (millimeters).
 ^Weight shown is largest cataloged Open Drip Proof motor.



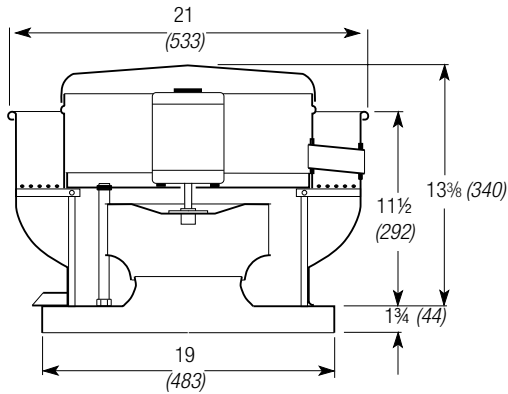
Model Number	HP (Size)	Fan RPM		cfm / Static Pressure (in. wg)										
				0	0.05	0.1	0.125	0.15	0.2	0.25	0.3	0.35	0.375	
XRUD-070-E	1/100	1050	cfm	250	224	193	171	143						
			Bhp	0.01	0.01	0.01	0.01	0.01						
			sones	2.6	2.1	1.6	1.4	1.2						
XRUD-070-G	1/60	1300	cfm	309	288	267	255	241	205	152				
			Bhp	0.01	0.01	0.02	0.02	0.02	0.02	0.01				
			sones	4.0	3.7	3.4	3.3	3.1	2.8	2.4				
XRUD-070-D	1/30	1550	cfm	369	351	333	325	316	293	269	234	187	160	
			Bhp	0.02	0.02	0.03	0.03	0.03	0.03	0.03	0.03	0.02	0.02	
			sones	5.5	5.4	5.2	5.1	5.1	4.9	4.7	4.4	4.1	3.9	
XRUD-075-E	1/80	1050	cfm	287	249	210	188	165						
			Bhp	0.01	0.01	0.01	0.01	0.01						
			sones	3.4	3	2.8	2.7	2.6						
XRUD-075-G	1/50	1300	cfm	356	324	294	279	262	227	185				
			Bhp	0.02	0.02	0.02	0.02	0.02	0.02	0.02				
			sones	4.0	3.8	3.7	3.7	3.7	3.6	3.4				
XRUD-075-D	1/25	1550	cfm	424	398	372	359	347	320	291	261	225	204	
			Bhp	0.04	0.04	0.04	0.04	0.04	0.04	0.04	0.04	0.04	0.04	
			sones	6.0	5.7	5.4	5.3	5.1	5.0	4.9	4.8	4.8	4.8	

Performance certified is for installation type A: Free inlet, Free outlet. Performance ratings do not include the effects of appurtenances (accessories). The sound ratings shown are loudness values in fan sones at 5 ft. (1.5 m) in a hemispherical free field calculated per AMCA Standard 301. Values shown are for installation type A: Free inlet hemispherical sone levels.

Roof Upblast and Sidewall Exhaust Fans

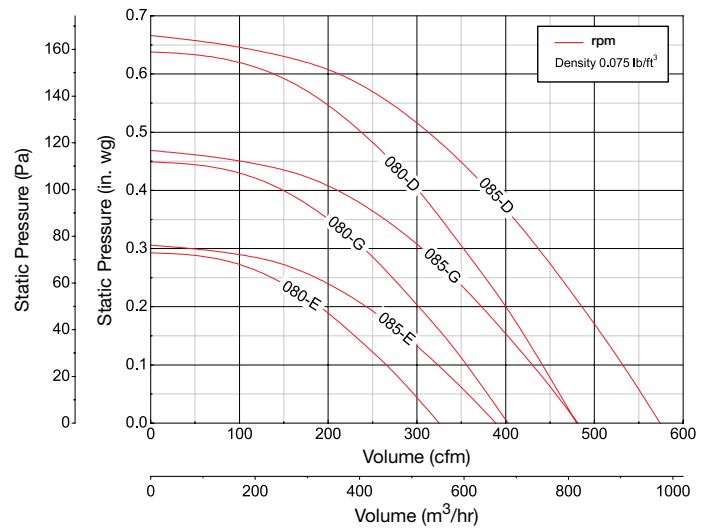
Performance and Dimensional Data

XRUD-080 and 085 - Direct Drive



Damper Size = 10 x 10 (254 x 254)
 Roof Opening = 12½ x 12½ (318 x 318)
 ^Approximate Unit Weight = 40 lbs. (18 kg)

All dimensions in inches (millimeters).
 ^Weight shown is largest cataloged Open Drip Proof motor.



Model Number	HP (Size)	Fan RPM		cfm / Static Pressure (in. wg)										
				0	0.1	0.125	0.15	0.2	0.25	0.3	0.375	0.5	0.625	
XRUD-080-E	1/40	1050	cfm	325	265	247	230	189	133					
			Bhp	0.01	0.01	0.02	0.02	0.02	0.02					
			sones	3.8	3.7	3.6	3.7	3.9	4.2					
XRUD-080-G	1/30	1300	cfm	403	356	343	330	302	272	239	173			
			Bhp	0.02	0.03	0.03	0.03	0.03	0.03	0.03	0.03			
			sones	5.4	5.4	5.4	5.4	5.4	5.5	5.6	5.9			
XRUD-080-D	1/20	1550	cfm	480	441	431	421	400	376	352	314	235		
			Bhp	0.04	0.04	0.04	0.04	0.05	0.05	0.05	0.05	0.05		
			sones	7.3	7.3	7.3	7.3	7.3	7.2	7.3	7.3	7.6		
XRUD-085-E	1/40	1050	cfm	389	323	305	286	242	182					
			Bhp	0.01	0.02	0.02	0.02	0.02	0.02					
			sones	4.0	3.9	3.9	3.9	4.1	4.3					
XRUD-085-G	1/30	1300	cfm	481	430	416	402	373	340	305	235			
			Bhp	0.02	0.03	0.03	0.03	0.03	0.03	0.04	0.04			
			sones	5.4	5.3	5.3	5.3	5.3	5.3	5.4	5.5			
XRUD-085-D	1/20	1550	cfm	574	532	520	509	486	461	437	395	312	161	
			Bhp	0.04	0.04	0.05	0.05	0.05	0.05	0.06	0.06	0.06	0.06	
			sones	7.5	7.4	7.4	7.4	7.4	7.4	7.4	7.4	7.4	7.6	8.1

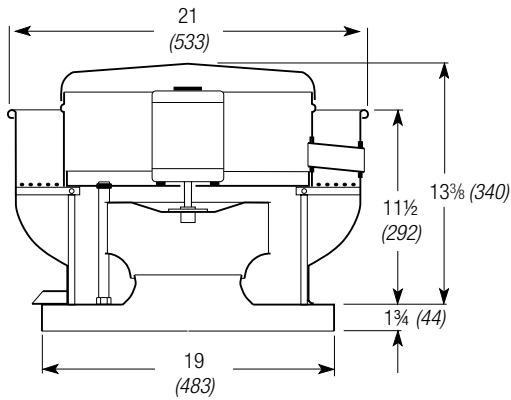
Performance certified is for installation type A: Free inlet, Free outlet. Performance ratings do not include the effects of appurtenances (accessories). The sound ratings shown are loudness values in fan sones at 5 ft. (1.5 m) in a hemispherical free field calculated per AMCA Standard 301. Values shown are for installation type A: Free inlet hemispherical sone levels.

Roof Upblast and Sidewall Exhaust Fans

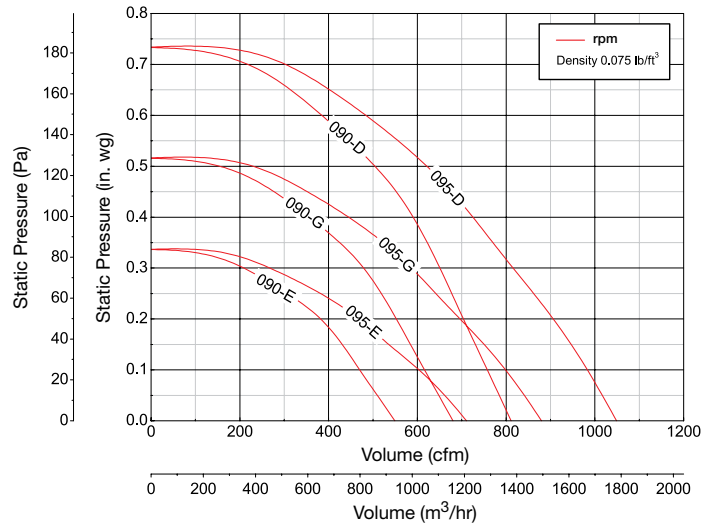
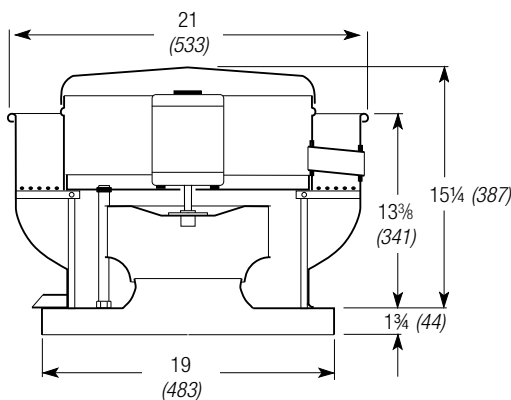
Performance and Dimensional Data

XRUD-090 and 095 - Direct Drive

Model XRUD-090



Model XRUD-095



Damper Size = 10 x 10 (254 x 254)
 Roof Opening = 12½ x 12½ (318 x 318)
 ^Approximate Unit Weight = 40 lbs. (18 kg)

All dimensions in inches (millimeters).
 ^Weight shown is largest cataloged Open Drip Proof motor.

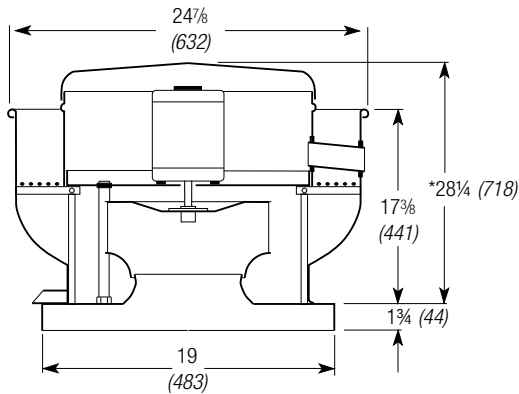
Model Number	HP (Size)	Fan RPM		cfm / Static Pressure (in. wg)										
				0	0.1	0.125	0.15	0.2	0.25	0.3	0.375	0.5	0.625	
XRUD-090-E	1/40	1050	cfm	549	470	451	429	381	306	204				
			Bhp	0.02	0.02	0.02	0.03	0.03	0.03	0.03				
			sones	4.1	3.9	3.9	3.9	4.0	4.2	4.5				
XRUD-090-G	1/25	1300	cfm	680	616	600	584	553	517	479	391			
			Bhp	0.04	0.04	0.04	0.04	0.05	0.05	0.05	0.05			
			sones	5.5	5.4	5.4	5.4	5.4	5.4	5.5	5.6			
XRUD-090-D	1/15	1550	cfm	811	757	744	731	704	677	651	604	501	347	
			Bhp	0.06	0.07	0.07	0.07	0.07	0.08	0.08	0.08	0.08	0.09	0.08
			sones	7.8	7.6	7.6	7.5	7.5	7.5	7.5	7.4	7.4	7.4	7.8
XRUD-095-E	1/30	1050	cfm	711	603	570	536	468	381	265				
			Bhp	0.03	0.04	0.04	0.04	0.04	0.04	0.03				
			sones	5.3	4.5	4.5	4.5	4.4	4.5	4.6				
XRUD-095-G	1/12	1300	cfm	880	797	774	750	696	641	587	484	199		
			Bhp	0.06	0.07	0.07	0.07	0.07	0.07	0.07	0.07	0.07	0.05	
			sones	7.5	6.8	6.7	6.6	6.5	6.4	6.4	6.4	6.4	6.8	
XRUD-095-D	1/8	1550	cfm	1049	983	964	944	905	861	816	747	616	442	
			Bhp	0.10	0.11	0.11	0.11	0.11	0.12	0.12	0.12	0.12	0.12	0.11
			sones	9.6	9.3	9.3	9.2	8.8	8.5	8.4	8.3	8.3	8.1	7.8

Performance certified is for installation type A: Free inlet, Free outlet. Performance ratings do not include the effects of appurtenances (accessories). The sound ratings shown are loudness values in fan sones at 5 ft. (1.5 m) in a hemispherical free field calculated per AMCA Standard 301. Values shown are for installation type A: Free inlet hemispherical sone levels.

Roof Upblast and Sidewall Exhaust Fans

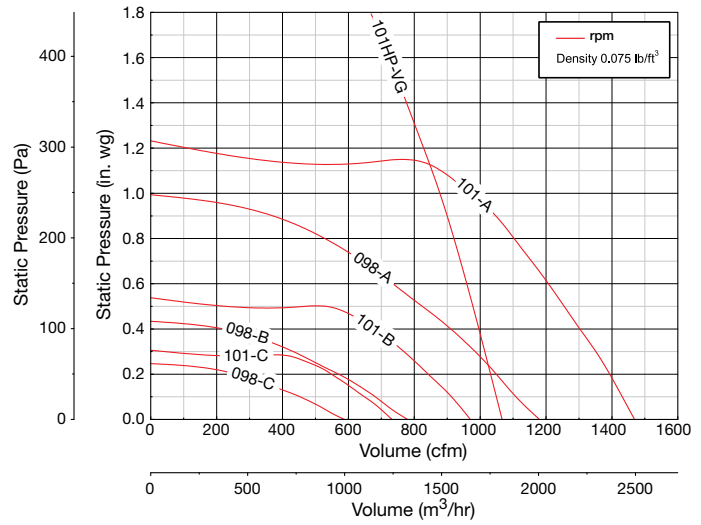
Performance and Dimensional Data

XRUD-098, 101 and 101HP - Direct Drive



Damper Size = 12 x 12 (305 x 305)
 Roof Opening = 14 1/2 x 14 1/2 (368 x 368)
 ^Approximate Unit Weight = 53 lbs. (24 kg)

All dimensions in inches (millimeters).
 *May be greater depending on motor.
 ^Weight shown is largest cataloged Open Drip Proof motor.



Model Number	HP (Size)	Fan RPM		cfm / Static Pressure (in. wg)											
				0	0.1	0.125	0.25	0.3	0.375	0.5	0.625	0.75	1		
XRUD-098-C	1/8	860	cfm	588	453	409									
			Bhp	0.02	0.02	0.02									
			sones	8.4	8.5	8.7									
XRUD-098-B	1/6	1140	cfm	780	682	656	502	431	294						
			Bhp	0.05	0.05	0.06	0.06	0.06	0.06						
			sones	9.1	8.7	8.7	8.3	8.1	7.9						
XRUD-098-A	1/4	1725	cfm	1180	1109	1094	1017	984	929	824	712	586			
			Bhp	0.18	0.18	0.18	0.18	0.19	0.20	0.20	0.20	0.20			
			sones	13.8	13.5	13.4	13	12.9	12.7	12.2	12.1	12.3			
XRUD-101-C	1/8	860	cfm	732	649	625	481								
			Bhp	0.03	0.03	0.04	0.04								
			sones	4.6	8.5	11.7	11.1								
XRUD-101-B	1/6	1140	cfm	970	913	897	806	768	707						
			Bhp	0.07	0.08	0.08	0.08	0.09	0.09						
			sones	7.2	7.0	7.0	6.5	6.2	6.0						
XRUD-101-A	1/4	1725	cfm	1468	1431	1422	1373	1350	1315	1255	1195	1129	970		
			Bhp	0.24	0.25	0.26	0.27	0.27	0.28	0.29	0.29	0.29	0.29		
			sones	13.3	12.9	12.9	12.5	12.3	12.0	11.7	11.3	10.8	9.7		
XRUD-101HP-VG	1/2	2500	cfm	1067	1049	1045	1023	1014	1000	977	954	929	878		
			Bhp	0.44	0.44	0.44	0.44	0.44	0.44	0.44	0.44	0.44	0.45	0.48	
			sones	18.0	17.5	17.4	16.9	16.7	16.4	15.9	15.6	15.3	15.0		

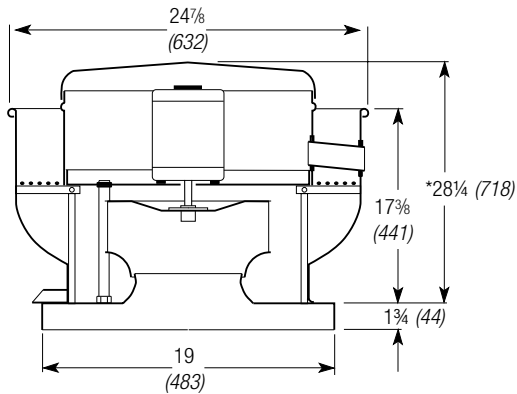
► VG denotes a direct drive brushless DC motor.

Performance certified is for installation type A: Free inlet, Free outlet. Performance ratings do not include the effects of appurtenances (accessories). The sound ratings shown are loudness values in fan sones at 5 ft. (1.5 m) in a hemispherical free field calculated per AMCA Standard 301. Values shown are for installation type A: Free inlet hemispherical sone levels.

Roof Upblast and Sidewall Exhaust Fans

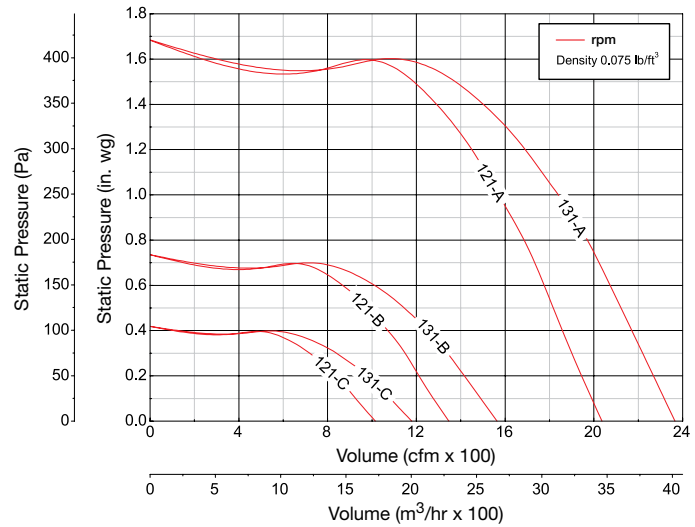
Performance and Dimensional Data

XRUD-121 and 131 - Direct Drive



Damper Size = 12 x 12 (305 x 305)
 Roof Opening = 14 1/2 x 14 1/2 (368 x 368)
 ^Approximate Unit Weight = 64 lbs. (29 kg)

All dimensions in inches (millimeters).
 *May be greater depending on motor.
 ^Weight shown is largest cataloged Open Drip Proof motor.



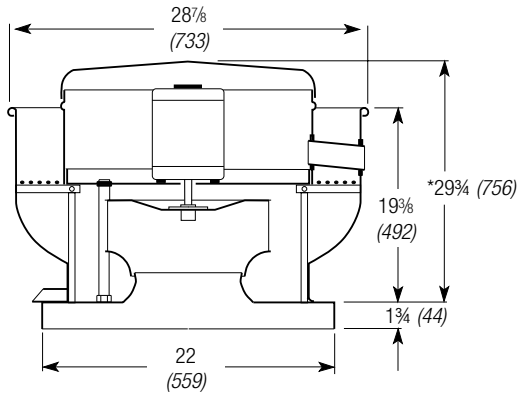
Model Number	HP (Size)	Fan RPM		cfm / Static Pressure (in. wg)										
				0	0.125	0.25	0.375	0.5	0.625	0.75	1	1.25	1.5	
XRUD-121-C	1/8	860	cfm	1015	905	781	581							
			Bhp	0.05	0.05	0.06	0.06							
			sones	5.3	5.7	5.6	5.7							
XRUD-121-B	1/6	1140	cfm	1346	1261	1180	1091	981	833					
			Bhp	0.11	0.12	0.13	0.13	0.14	0.14					
			sones	7.4	7.9	8.2	8.2	8.0	8.1					
XRUD-121-A	1/2	1725	cfm	2037	1979	1923	1869	1816	1763	1710	1571	1406	1176	
			Bhp	0.39	0.40	0.41	0.43	0.44	0.45	0.46	0.47	0.48	0.46	
			sones	15.6	16.1	16.7	17.3	17.9	18.2	18.4	18.7	18.6	18.4	
XRUD-131-C	1/8	860	cfm	1180	1057	914	675							
			Bhp	0.06	0.07	0.07	0.07							
			sones	8.5	8.3	7.7	6.9							
XRUD-131-B	1/6	1140	cfm	1564	1471	1379	1280	1144	964					
			Bhp	0.14	0.15	0.16	0.17	0.17	0.17					
			sones	12.5	12.2	11.8	11.2	10.3	9.7					
XRUD-131-A	3/4	1725	cfm	2366	2305	2244	2183	2122	2061	1994	1838	1646	1365	
			Bhp	0.50	0.51	0.53	0.54	0.56	0.57	0.58	0.60	0.60	0.57	
			sones	18.8	18.6	18.4	18.2	18.0	17.6	17.2	16.4	15.3	14.1	

Performance certified is for installation type A: Free inlet, Free outlet. Performance ratings do not include the effects of appurtenances (accessories). The sound ratings shown are loudness values in fan sones at 5 ft. (1.5 m) in a hemispherical free field calculated per AMCA Standard 301. Values shown are for installation type A: Free inlet hemispherical sone levels.

Roof Upblast and Sidewall Exhaust Fans

Performance and Dimensional Data

XRUD-141, 141HP, 161 and 161HP - Direct Drive

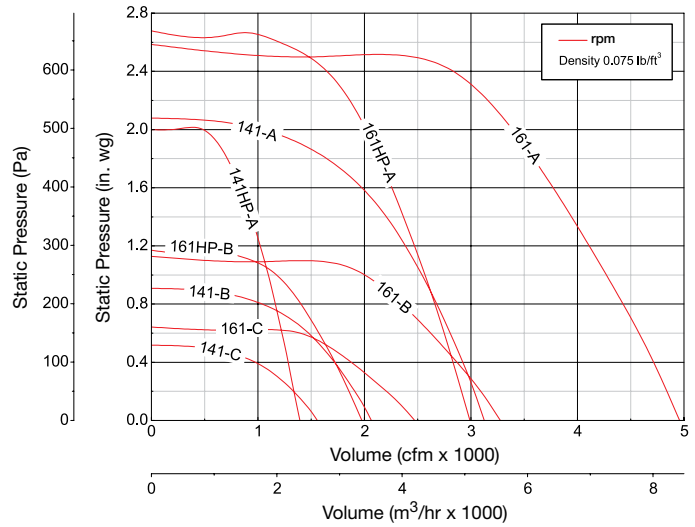


Damper Size = 16 x 16 (406 x 406)
 Roof Opening = 18 1/2 x 18 1/2 (470 x 470)
 ^Approximate Unit Weight = 90 lbs. (41 kg)

All dimensions in inches (millimeters).

*May be greater depending on motor.

^Weight shown is largest cataloged Open Drip Proof motor.



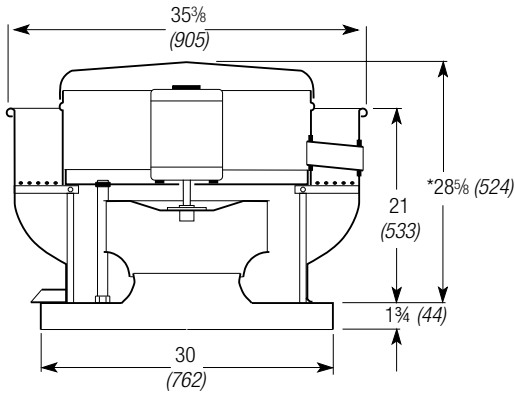
Model Number	HP (Size)	Fan RPM		cfm / Static Pressure (in. wg)												
				0	0.25	0.5	0.75	1	1.25	1.5	1.75	2	2.25			
XRUD-141-C	1/8	860	cfm	1558	1264											
			Bhp	0.11	0.12											
			sones	7.3	7.1											
XRUD-141-B	1/4	1140	cfm	2065	1864	1605	1167									
			Bhp	0.25	0.27	0.29	0.27									
			sones	11.3	11.0	10.3	10.0									
XRUD-141-A	1	1725	cfm	3125	3005	2865	2711	2539	2339	2085	1704					
			Bhp	0.87	0.90	0.94	0.97	0.99	1.00	0.98	0.91					
			sones	26	22	24	15.1	13.4	14.3	13.8	13.8					
XRUD-141HP-A	1/2	1725	cfm	1394	1324	1256	1178	1098	999	879	747					
			Bhp	0.34	0.36	0.38	0.40	0.42	0.43	0.43	0.42					
			sones	16.6	16.3	16.1	15.4	15.0	14.9	14.7	15.7					
XRUD-161-C	1/4	860	cfm	2472	2126	1680										
			Bhp	0.22	0.25	0.24										
			sones	10.7	9.9	9.5										
XRUD-161-B	1/2	1140	cfm	3277	3035	2745	2421	1983								
			Bhp	0.51	0.57	0.58	0.57	0.55								
			sones	15.7	14.8	14.1	13.5	13.2								
XRUD-161-A	2	1725	cfm	4959	4806	4646	4463	4269	4070	3855	3631	3381	3057			
			Bhp	1.77	1.88	1.97	1.98	2.00	2.01	1.99	1.97	1.96	1.92			
			sones	30	29	28	27	27	27	26	26	25	25			
XRUD-161HP-B	1/3	1140	cfm	1976	1822	1645	1444	1175								
			Bhp	0.26	0.28	0.31	0.32	0.32								
			sones	13.5	12.8	12.5	11.9	11.1								
XRUD-161HP-A	1 1/2	1725	cfm	2990	2888	2787	2680	2560	2439	2310	2167	2003	1810			
			Bhp	0.89	0.93	0.97	1.01	1.04	1.07	1.10	1.11	1.12	1.11			
			sones	24	23	22	22	21	20	20	19.6	18.3	16.6			

Performance certified is for installation type A: Free inlet, Free outlet. Performance ratings do not include the effects of appurtenances (accessories). The sound ratings shown are loudness values in fan sones at 5 ft. (1.5 m) in a hemispherical free field calculated per AMCA Standard 301. Values shown are for installation type A: Free inlet hemispherical sone levels.

Roof Upblast and Sidewall Exhaust Fans

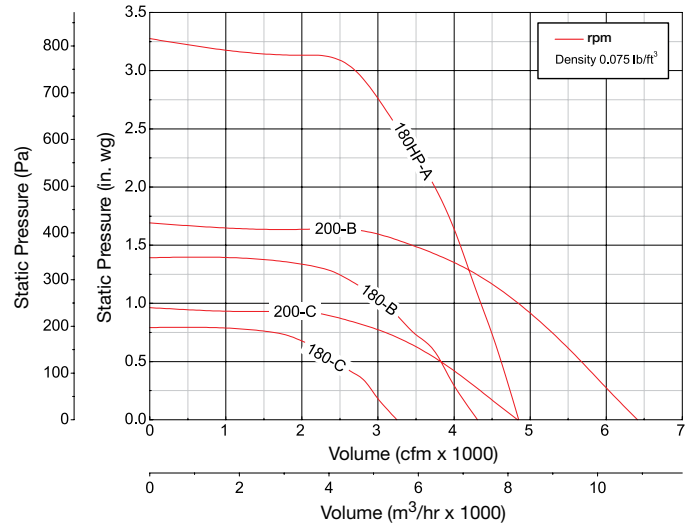
Performance and Dimensional Data

XRUD-180, 180HP and 200 - Direct Drive



Damper Size = 18 x 18 (457 x 457)
 Roof Opening = 20 1/2 x 20 1/2 (521 x 521)
 ^Approximate Unit Weight = 142 lbs. (64 kg)

All dimensions in inches (millimeters).
 ^Weight shown is largest cataloged Open Drip Proof motor.



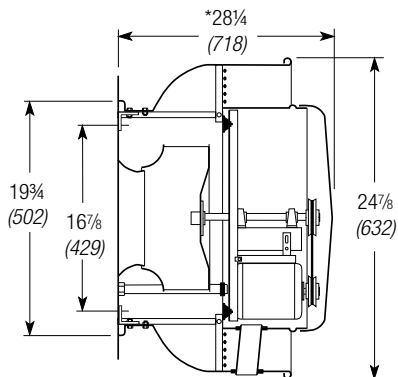
Model Number	HP (Size)	Fan RPM		cfm / Static Pressure (in. wg)											
				0	0.25	0.5	0.75	1	1.25	1.5	2	2.5	3		
XRUD-180-C	1/2	860	cfm	3249	2922	2474									
			Bhp	0.34	0.39	0.40									
			sones	12.3	11.1	10.2									
XRUD-180-B	1	1140	cfm	4307	4045	3822	3470	3072	2477						
			Bhp	0.80	0.86	0.91	0.93	0.92	0.85						
			sones	17.6	16.5	16.1	15.4	14.6	13.6						
XRUD-180HP-A	2	1725	cfm	4850	4732	4613	4493	4353	4215	4078	3740	3265	2695		
			Bhp	1.77	1.84	1.92	1.99	2.06	2.12	2.18	2.23	2.25	2.16		
			sones	30	29	28	27	26	26	25	24	23	21		
XRUD-200-C	3/4	860	cfm	4837	4346	3815	3084								
			Bhp	0.71	0.74	0.75	0.73								
			sones	15.7	14.6	12.9	11.9								
XRUD-200-B	2	1140	cfm	6412	6036	5674	5283	4837	4276	3445					
			Bhp	1.65	1.70	1.74	1.74	1.74	1.73	1.63					
			sones	24	23	22	21	20	19.2	19.9					

Performance certified is for installation type A: Free inlet, Free outlet. Performance ratings do not include the effects of appurtenances (accessories). The sound ratings shown are loudness values in fan sones at 5 ft. (1.5 m) in a hemispherical free field calculated per AMCA Standard 301. Values shown are for installation type A: Free inlet hemispherical sones levels.

Roof Upblast and Sidewall Exhaust Fans

Performance and Dimensional Data

XSEB-098 - Belt Drive

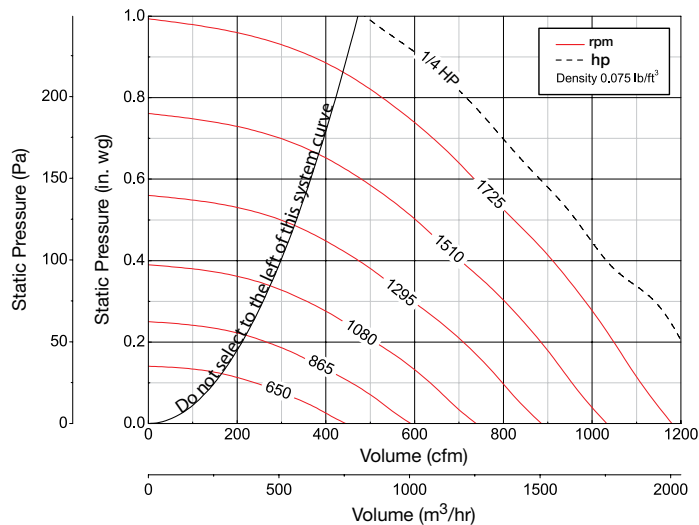


Damper Size = 12 x 12 (305 x 305)
 Damper Frame Size = 14 x 14 (356 x 356)
 Wall Opening = 12 1/2 x 12 1/2 (318 x 318)
 Windband Thickness = 0.051 (1.3)
 Motor Cover Thickness = 0.040 (1.0)
 ^Approximate Unit Weight = 58 lbs. (26 kg)

All dimensions in inches (millimeters).

*May be greater depending on motor.

^Weight shown is largest cataloged Open Drip Proof motor.



Model Number	HP (Size)	Fan RPM		cfm / Static Pressure (in. wg)																						
				0	0.05	0.1	0.125	0.2	0.25	0.375	0.5	0.625	0.75													
XSEB-098-4	1/4	650	cfm	445	357	239																				
			Bhp	0.01	0.01	0.01																				
			sones	8.1	8.5	9.9																				
		755	cfm	516	442	352	301																			
			Bhp	0.02	0.02	0.02	0.02																			
			sones	8.3	8.4	8.9	9.3																			
		860	cfm	588	523	453	409	258																		
			Bhp	0.02	0.02	0.02	0.02	0.02																		
			sones	8.4	8.4	8.5	8.7	9.1																		
		965	cfm	660	600	543	509	392	294																	
			Bhp	0.03	0.03	0.03	0.04	0.04	0.04																	
			sones	8.7	8.6	8.6	8.5	8.6	8.6																	
		1070	cfm	732	677	627	600	500	428																	
			Bhp	0.04	0.04	0.04	0.05	0.05	0.05																	
			sones	8.9	8.8	8.6	8.6	8.4	8.4																	
		1175	cfm	804	752	708	684	603	537	350																
			Bhp	0.06	0.06	0.06	0.06	0.06	0.06	0.06																
			sones	9.3	9.2	9.0	8.9	8.7	8.6	8.2																
		1280	cfm	875	828	787	766	696	642	488																
			Bhp	0.07	0.07	0.07	0.07	0.08	0.08	0.08																
			sones	10.2	10.1	9.9	9.8	9.7	9.5	9.3																
		1385	cfm	947	903	864	845	785	738	603	448															
			Bhp	0.09	0.09	0.09	0.09	0.10	0.10	0.10	0.10															
			sones	11.2	11.1	10.9	10.8	10.7	10.6	10.4	10.3															
1490	cfm	1019	978	940	923	868	829	710	578	409																
	Bhp	0.12	0.12	0.12	0.12	0.12	0.13	0.13	0.13	0.13																
	sones	12.3	12.2	11.9	12.0	11.8	11.8	11.5	11.5	11.6																
1595	cfm	1091	1053	1016	1000	950	914	813	692	560																
	Bhp	0.14	0.14	0.14	0.14	0.14	0.15	0.16	0.16	0.16																
	sones	13.2	13.1	12.8	12.8	12.5	12.5	12.3	12.1	12.2																
1725	cfm	1180	1144	1109	1094	1049	1017	929	824	712	586															
	Bhp	0.18	0.18	0.18	0.18	0.18	0.18	0.20	0.20	0.20	0.20															
	sones	13.8	13.6	13.5	13.4	13.1	13.0	12.7	12.2	12.1	12.3															

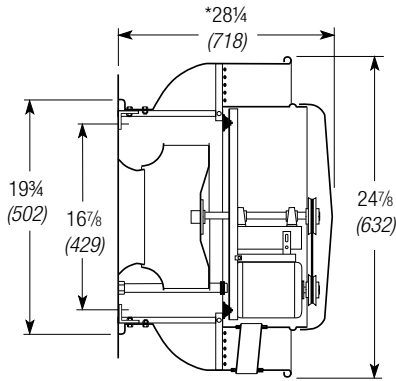
MAXIMUM Bhp AT A GIVEN RPM = (RPM/3099)³
 MAXIMUM RPM = 1725
 TIP SPEED (ft/min) = RPM x 2.846
 MAXIMUM MOTOR FRAME SIZE = 56
 AVERAGE DISCHARGE VELOCITY (FPM) = cfm/1.28

Performance certified is for installation type A: Free inlet, Free outlet. Power rating (Bhp) does not include transmission losses. Performance ratings do not include the effects of appurtenances (accessories). The sound ratings shown are loudness values in fan sones at 5 ft. (1.5 m) in a hemispherical free field calculated per AMCA Standard 301. Values shown are for installation type A: Free inlet hemispherical sone levels.

Roof Upblast and Sidewall Exhaust Fans

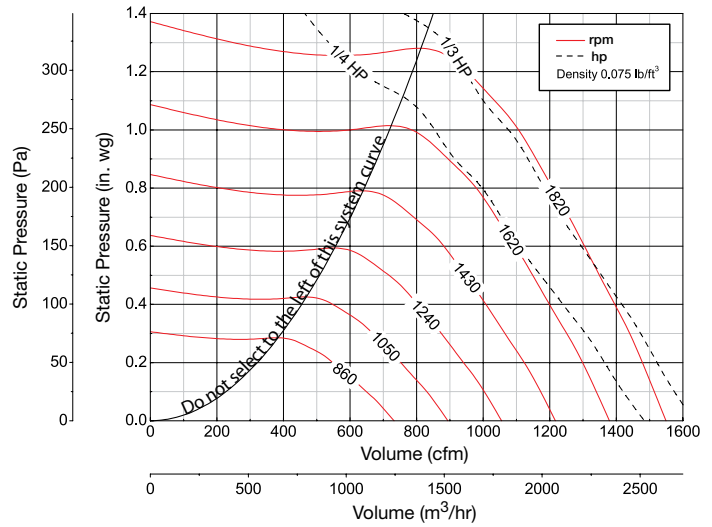
Performance and Dimensional Data

XSEB-101 - Belt Drive



- Damper Size = 12 x 12 (305 x 305)
- Damper Frame Size = 14 x 14 (356 x 356)
- Wall Opening = 12 1/2 x 12 1/2 (318 x 318)
- Windband Thickness = 0.051 (1.3)
- Motor Cover Thickness = 0.040 (1.0)
- ^Approximate Unit Weight = 58 lbs. (26 kg)

All dimensions in inches (millimeters).
 *May be greater depending on motor.
 ^Weight shown is largest cataloged Open Drip Proof motor.



Model Number	HP (Size)	Fan RPM		cfm / Static Pressure (in. wg)																
				0	0.125	0.25	0.375	0.5	0.625	0.75	0.875	1	1.25							
XSEB-101-4	1/4	860	cfm	732	625	481														
			Bhp	0.03	0.04	0.04														
			sones	4.6	2.4	0.6														
		958	cfm	815	722	609														
			Bhp	0.04	0.05	0.05														
			sones	5.5	4.5	3.3														
		1056	cfm	899	817	718	593													
			Bhp	0.06	0.06	0.07	0.07													
			sones	6.6	6.3	5.7	5.4													
		1154	cfm	982	910	821	724	574												
			Bhp	0.07	0.08	0.09	0.09	0.08												
			sones	7.3	7.1	6.6	6.1	5.8												
		1252	cfm	1066	1000	920	834	732												
			Bhp	0.09	0.10	0.11	0.11	0.11												
			sones	8.0	8.0	7.6	6.9	6.5												
		1350	cfm	1149	1089	1016	940	856	745											
			Bhp	0.12	0.13	0.13	0.14	0.14	0.14											
			sones	8.9	8.9	8.6	8.1	7.5	7.0											
1448	cfm	1233	1176	1112	1040	966	886	763												
	Bhp	0.14	0.15	0.16	0.17	0.17	0.17	0.17												
	sones	10.3	10.2	9.9	9.5	9.0	8.3	8.0												
1546	cfm	1316	1264	1206	1139	1072	999	915	820											
	Bhp	0.17	0.19	0.2	0.20	0.21	0.21	0.21	0.21											
	sones	11.8	11.5	11.3	10.9	10.5	9.8	9.3	9.0											
1660	cfm	1413	1365	1313	1251	1189	1125	1056	974	861										
	Bhp	0.22	0.23	0.24	0.25	0.26	0.26	0.26	0.26	0.26	0.25									
	sones	12.7	12.3	12.0	11.6	11.3	10.8	10.2	9.6	9.4										
XSEB-101-3	1/3	1740	cfm	1481	1435	1386	1329	1270	1210	1146	1093	991								
			Bhp	0.25	0.26	0.27	0.28	0.29	0.30	0.30	0.30	0.30	0.30							
		sones	13.4	13.0	12.6	12.1	11.8	11.4	10.9	10.5	9.7	9.7								
		cfm	1549	1505	1459	1406	1350	1293	1234	1184	1106	900								
		Bhp	0.28	0.30	0.31	0.32	0.33	0.34	0.35	0.35	0.35	0.35	0.35							
		sones	14.3	13.7	13.4	12.7	12.4	12.0	11.6	11.3	10.6	10.1								

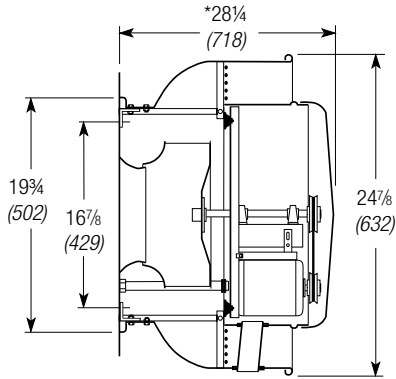
MAXIMUM Bhp AT A GIVEN RPM = (RPM/2591)³
 MAXIMUM RPM = 1820
 TIP SPEED (ft/min) = RPM x 2.913
 MAXIMUM MOTOR FRAME SIZE = 215T
 AVERAGE DISCHARGE VELOCITY (FPM) = cfm/1.28

Performance certified is for installation type A: Free inlet, Free outlet. Power rating (Bhp) does not include transmission losses. Performance ratings do not include the effects of appurtenances (accessories). The sound ratings shown are loudness values in fan sones at 5 ft. (1.5 m) in a hemispherical free field calculated per AMCA Standard 301. Values shown are for installation type A: Free inlet hemispherical sone levels.

Roof Upblast and Sidewall Exhaust Fans

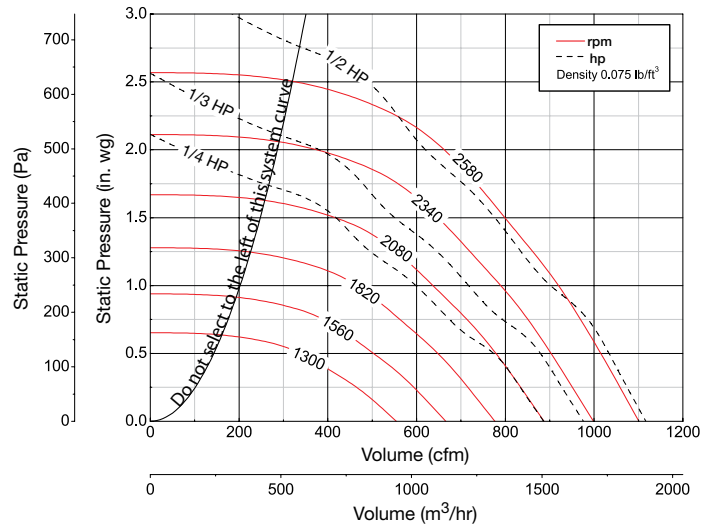
Performance and Dimensional Data

XSEB-101HP - Belt Drive



- Damper Size = 12 x 12 (305 x 305)
- Damper Frame Size = 14 x 14 (356 x 356)
- Wall Opening = 12 1/2 x 12 1/2 (318 x 318)
- Windband Thickness = 0.051 (1.3)
- Motor Cover Thickness = 0.040 (1.0)
- ^Approximate Unit Weight = 58 lbs. (26 kg)

All dimensions in inches (millimeters).
 *May be greater depending on motor.
 ^Weight shown is largest cataloged Open Drip Proof motor.



Model Number	HP (Size)	Fan RPM		cfm / Static Pressure (in. wg)															
				0.5	0.625	0.75	1	1.25	1.5	1.75	2	2.25	2.5						
XSEB-101HP-4	1/4	1300	cfm	335	182														
			Bhp	0.07	0.06														
		sones	6.0	6.3															
		1420	cfm	419	350	191													
			Bhp	0.09	0.09	0.07													
		sones	6.8	6.6	6.9														
		1540	cfm	491	438	371													
			Bhp	0.11	0.11	0.11													
		sones	7.8	7.5	7.3														
		1660	cfm	560	512	461	262												
			Bhp	0.14	0.14	0.14	0.12												
		sones	8.9	8.6	8.4	8.3													
1780	cfm	627	583	538	430														
	Bhp	0.17	0.17	0.17	0.17														
sones	10.3	9.9	9.6	9.1															
1900	cfm	688	651	610	520	382													
	Bhp	0.20	0.21	0.21	0.21	0.19													
sones	12.1	11.4	11.0	10.5	10.2														
2045	cfm	761	729	693	615	522	346												
	Bhp	0.24	0.26	0.26	0.26	0.26	0.23												
sones	13.9	13.5	12.7	12.1	11.5	11.4													
XSEB-101HP-3	1/3	2150	cfm	812	782	752	678	600	500										
			Bhp	0.28	0.29	0.30	0.30	0.30	0.30										
sones	14.1	14.1	13.5	12.5	12.0	11.5													
2250	cfm	860	832	804	737	665	579	456											
	Bhp	0.32	0.33	0.34	0.35	0.35	0.35	0.32											
sones	14.4	14.4	14.2	13.2	12.5	11.9	11.6												
XSEB-101HP-5	1/2	2415	cfm	938	914	887	831	765	697	614	498								
			Bhp	0.39	0.39	0.41	0.43	0.43	0.43	0.43	0.43	0.40							
sones	15.1	15.0	15.0	14.5	13.7	12.9	12.2	12.0											
2580	cfm	1014	992	969	919	861	799	735	655	550	323								
	Bhp	0.48	0.48	0.49	0.52	0.53	0.53	0.53	0.53	0.49	0.43								
sones	16.8	16.4	16.0	15.7	15.1	14.4	13.7	13.2	12.9	12.9	12.5								

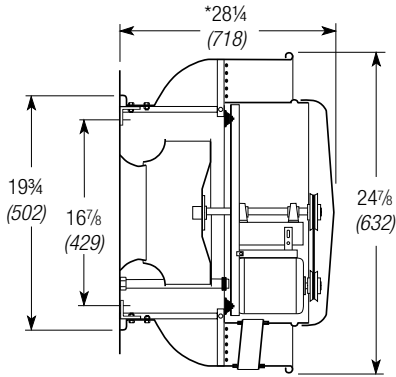
MAXIMUM Bhp AT A GIVEN RPM = (RPM/3195)³
 MAXIMUM RPM = 2580
 TIP SPEED (ft/min) = RPM x 2.913
 MAXIMUM MOTOR FRAME SIZE = 56
 AVERAGE DISCHARGE VELOCITY (FPM) = cfm/1.28

Performance certified is for installation type A: Free inlet, Free outlet. Power rating (Bhp) does not include transmission losses. Performance ratings do not include the effects of appurtenances (accessories). The sound ratings shown are loudness values in fan sones at 5 ft. (1.5 m) in a hemispherical free field calculated per AMCA Standard 301. Values shown are for installation type A: Free inlet hemispherical sone levels.

Roof Upblast and Sidewall Exhaust Fans

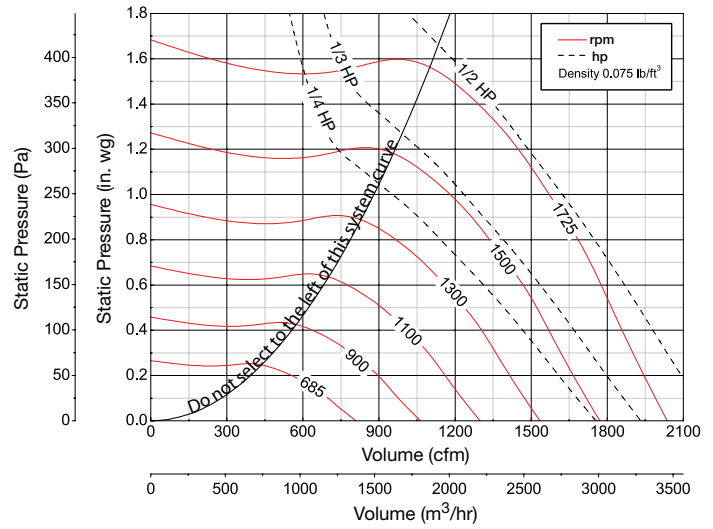
Performance and Dimensional Data

XSEB-121 - Belt Drive



- Damper Size = 12 x 12 (305 x 305)
- Damper Frame Size = 14 x 14 (356 x 356)
- Wall Opening = 12 1/2 x 12 1/2 (318 x 318)
- Windband Thickness = 0.051 (1.3)
- Motor Cover Thickness = 0.040 (1.0)
- ^Approximate Unit Weight = 66 lbs. (30 kg)

All dimensions in inches (millimeters).
 *May be greater depending on motor.
 ^Weight shown is largest cataloged Open Drip Proof motor.



Model Number	HP (Size)	Fan RPM		cfm / Static Pressure (in. wg)																	
				0	0.125	0.25	0.375	0.5	0.625	0.75	1	1.25	1.5								
XSEB-121-4	1/4	685	cfm	809	670																
			Bhp	0.02	0.03																
			sones	4.4	4.4																
		798	cfm	942	824	680															
			Bhp	0.04	0.04	0.05															
			sones	5.0	5.2	5.2															
		911	cfm	1076	971	861	703														
			Bhp	0.06	0.06	0.07	0.07														
			sones	5.6	6.0	6.0	6.0														
		1024	cfm	1209	1115	1025	910	755													
			Bhp	0.08	0.09	0.10	0.10	0.10													
			sones	6.4	6.8	7.0	6.9	6.9													
1137	cfm	1343	1257	1176	1087	976	825														
	Bhp	0.11	0.12	0.13	0.13	0.14	0.13														
	sones	7.3	7.8	8.1	8.2	8.0	8.1														
1250	cfm	1476	1397	1323	1250	1159	1053	916													
	Bhp	0.15	0.16	0.17	0.17	0.18	0.18	0.18													
	sones	8.8	9.3	9.9	9.9	10.0	9.8	9.8													
1410	cfm	1665	1595	1528	1463	1398	1315	1224	965												
	Bhp	0.21	0.22	0.23	0.24	0.25	0.26	0.26	0.25												
	sones	11.1	11.6	12.2	12.5	12.6	12.7	12.7	12.3												
XSEB-121-3	1/3	cfm	1748	1681	1617	1555	1493	1421	1338	1132											
		Bhp	0.25	0.26	0.27	0.28	0.29	0.29	0.30	0.30											
		sones	11.9	12.4	13.1	13.5	13.7	13.8	13.8	13.6											
1545	cfm	1824	1760	1699	1639	1580	1518	1441	1262	990											
	Bhp	0.28	0.29	0.30	0.31	0.32	0.33	0.34	0.34	0.33											
	sones	12.8	13.4	14.0	14.5	14.7	14.8	14.9	14.9	14.6											
XSEB-121-5	1/2	cfm	1931	1870	1811	1755	1699	1643	1577	1424	1226										
		Bhp	0.33	0.34	0.36	0.37	0.38	0.39	0.40	0.41	0.4										
		sones	14.1	14.7	15.2	15.9	16.2	16.4	16.6	16.7	16.5										
1725	cfm	2037	1979	1923	1869	1816	1763	1710	1571	1406	1176										
	Bhp	0.39	0.40	0.41	0.43	0.44	0.45	0.46	0.47	0.48	0.46										
	sones	15.6	16.1	16.7	17.3	17.9	18.2	18.4	18.7	18.6	18.4										

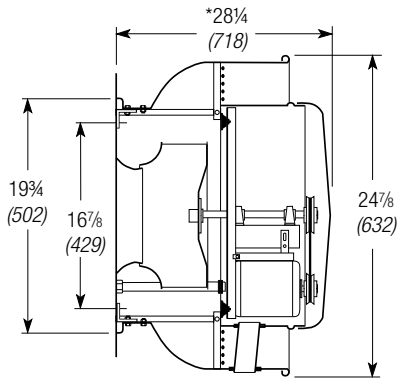
MAXIMUM Bhp AT A GIVEN RPM = (RPM/2199)³
 MAXIMUM RPM = 1725
 TIP SPEED (ft/min) = RPM x 3.419
 MAXIMUM MOTOR FRAME SIZE = 56
 AVERAGE DISCHARGE VELOCITY (FPM) = cfm/1.28

Performance certified is for installation type A: Free inlet, Free outlet. Power rating (Bhp) does not include transmission losses. Performance ratings do not include the effects of appurtenances (accessories). The sound ratings shown are loudness values in fan sones at 5 ft. (1.5 m) in a hemispherical free field calculated per AMCA Standard 301. Values shown are for installation type A: Free inlet hemispherical sone levels.

Roof Upblast and Sidewall Exhaust Fans

Performance and Dimensional Data

XSEB-131 - Belt Drive

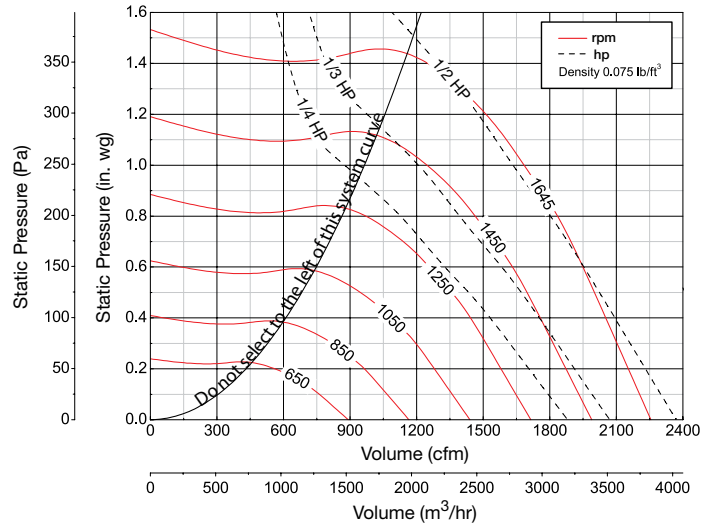


Damper Size = 12 x 12 (305 x 305)
 Damper Frame Size = 14 x 14 (356 x 356)
 Wall Opening = 12½ x 12½ (318 x 318)
 Windband Thickness = 0.051 (1.3)
 Motor Cover Thickness = 0.040 (1.0)
 ^Approximate Unit Weight = 66 lbs. (30 kg)

All dimensions in inches (millimeters).

*May be greater depending on motor.

^Weight shown is largest cataloged Open Drip Proof motor.



Model Number	HP (Size)	Fan RPM		cfm / Static Pressure (in. wg)													
				0	0.125	0.25	0.375	0.5	0.625	0.75	0.875	1	1.25				
XSEB-131-4	1/4	650	cfm	892	724												
			Bhp	0.03	0.03												
		sones	6.2	6.0													
		780	cfm	1070	935	756											
			Bhp	0.05	0.05	0.06											
		sones	7.5	7.3	6.6												
	910	cfm	1248	1133	1007	819											
		Bhp	0.07	0.08	0.09	0.09											
	sones	9.3	9.1	8.5	7.7												
	1040	cfm	1426	1325	1222	1094	919										
		Bhp	0.11	0.12	0.13	0.13	0.13										
	sones	11.3	11.0	10.5	9.8	9.0											
1170	cfm	1605	1515	1425	1329	1204	1045										
	Bhp	0.16	0.17	0.18	0.18	0.19	0.18										
sones	12.9	12.6	12.2	11.7	10.8	10.1											
1305	cfm	1790	1709	1629	1547	1458	1340	1201	1003								
	Bhp	0.22	0.23	0.24	0.25	0.26	0.26	0.26	0.24								
sones	14.6	14.3	13.9	13.5	13.0	12.0	11.5	10.8									
XSEB-131-3	1/3	1435	cfm	1968	1895	1822	1749	1671	1586	1479	1358	1198					
			Bhp	0.29	0.30	0.31	0.32	0.33	0.34	0.35	0.34	0.33					
			sones	15.7	15.5	15.1	14.8	14.3	13.8	13.1	12.5	11.9					
XSEB-131-5	1/2	1487	cfm	2039	1969	1898	1828	1754	1677	1579	1471	1339					
			Bhp	0.32	0.33	0.34	0.36	0.37	0.38	0.38	0.39	0.38					
			sones	16.2	15.9	15.7	15.4	14.9	14.5	13.9	13.2	12.7					
	1540	cfm	2112	2044	1976	1908	1838	1764	1678	1577	1465						
		Bhp	0.35	0.37	0.38	0.39	0.41	0.42	0.42	0.43	0.43						
		sones	16.7	16.5	16.2	16.0	15.6	15.2	14.6	14.0	13.4						
	1592	cfm	2183	2117	2052	1986	1920	1848	1774	1678	1578	1301					
		Bhp	0.39	0.41	0.42	0.43	0.44	0.46	0.47	0.47	0.47	0.45					
		sones	17.3	17.0	16.8	16.6	16.2	15.8	15.3	14.8	14.3	13.0					
1645	cfm	2256	2192	2128	2065	2001	1933	1864	1778	1684	1455						
	Bhp	0.43	0.45	0.46	0.47	0.49	0.50	0.51	0.52	0.52	0.51						
	sones	17.9	17.6	17.4	17.2	16.9	16.5	16.1	15.6	15.1	13.9						

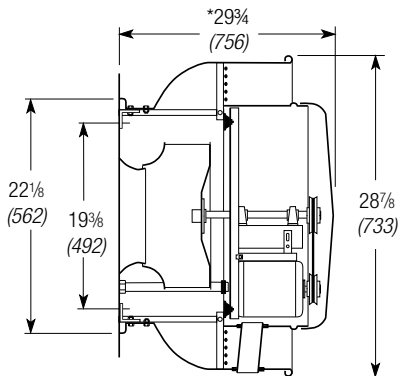
MAXIMUM Bhp AT A GIVEN RPM = (RPM/2041)³
 MAXIMUM RPM = 1645
 TIP SPEED (ft/min) = RPM x 3.420
 MAXIMUM MOTOR FRAME SIZE = 56
 AVERAGE DISCHARGE VELOCITY (FPM) = cfm/1.28

Performance certified is for installation type A: Free inlet, Free outlet. Power rating (Bhp) does not include transmission losses. Performance ratings do not include the effects of appurtenances (accessories). The sound ratings shown are loudness values in fan sones at 5 ft. (1.5 m) in a hemispherical free field calculated per AMCA Standard 301. Values shown are for installation type A: Free inlet hemispherical sone levels.

Roof Upblast and Sidewall Exhaust Fans

Performance and Dimensional Data

XSEB-141 - Belt Drive

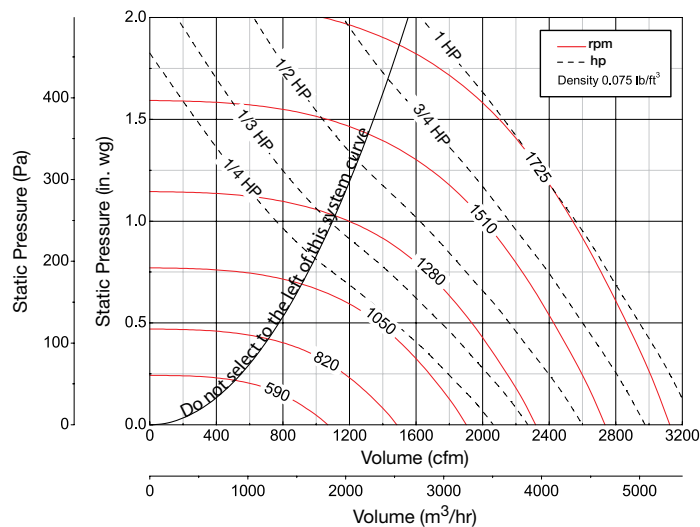


Damper Size = 15 x 15 (381 x 381)
 Damper Frame Size = 17 x 17 (432 x 432)
 Wall Opening = 15 1/2 x 15 1/2 (394 x 394)
 Windband Thickness = 0.051 (1.3)
 Motor Cover Thickness = 0.040 (1.0)
 ^Approximate Unit Weight = 84 lbs. (38 kg)

All dimensions in inches (millimeters).

*May be greater depending on motor.

^Weight shown is largest cataloged Open Drip Proof motor.



Model Number	HP (Size)	Fan RPM		cfm / Static Pressure (in. wg)															
				0	0.125	0.25	0.375	0.5	0.75	1	1.25	1.5	1.75						
XSEB-141-4	1/4	590	cfm	1069	851														
			Bhp	0.04	0.04														
			sones	5.0	4.5														
		715	cfm	1295	1130	885													
			Bhp	0.06	0.07	0.07													
			sones	6.0	6.0	5.1													
	840	cfm	1521	1387	1217	969													
		Bhp	0.10	0.11	0.11	0.11													
		sones	7.1	7.3	6.8	6.2													
	965	cfm	1748	1635	1499	1333	1103												
		Bhp	0.15	0.16	0.17	0.17	0.17												
		sones	8.6	8.7	8.5	8.1	7.7												
1105	cfm	2001	1906	1793	1667	1515	998												
	Bhp	0.23	0.24	0.25	0.26	0.26	0.23												
	sones	10.9	10.8	10.6	10.3	10.0	9.6												
XSEB-141-3	1/3	1210	cfm	2192	2106	2006	1896	1773	1443										
			Bhp	0.30	0.31	0.32	0.33	0.34	0.34										
			sones	12.2	12.2	11.7	11.6	11.2	10.9										
XSEB-141-5	1/2	1290	cfm	2337	2258	2166	2065	1957	1691	1221									
			Bhp	0.36	0.38	0.39	0.40	0.41	0.42	0.37									
			sones	13.2	13.3	12.7	12.6	12.3	12.0	11.3									
		1390	cfm	2518	2445	2362	2271	2174	1949	1643									
			Bhp	0.45	0.47	0.48	0.50	0.51	0.52	0.51									
			sones	14.9	14.7	14.2	13.2	12.9	12.1	11.0									
XSEB-141-7	3/4	1495	cfm	2708	2640	2565	2483	2396	2202	1967	1617								
			Bhp	0.56	0.58	0.6	0.61	0.62	0.64	0.65	0.61								
			sones	17.2	16.5	16.3	15.6	13.9	12.5	12.2	10.8								
		1595	cfm	2889	2826	2757	2683	2602	2430	2225	1968	1568							
			Bhp	0.69	0.70	0.72	0.74	0.75	0.77	0.79	0.78	0.72							
			sones	20	19.0	18.5	19.5	16.1	13.3	12.3	12.6	11.6							
XSEB-141-10	1	1725	cfm	3125	3066	3005	2936	2865	2711	2539	2339	2085	1704						
			Bhp	0.87	0.88	0.90	0.92	0.94	0.97	0.99	1.00	0.98	0.91						
			sones	26	23	22	24	24	15.1	13.4	14.3	13.8	13.8						

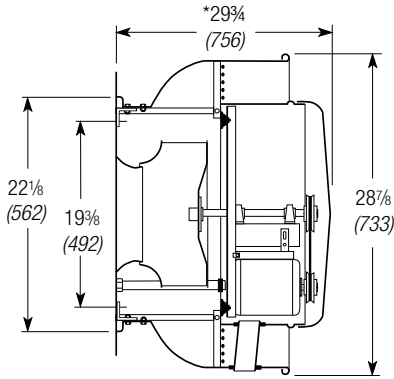
MAXIMUM Bhp AT A GIVEN RPM = (RPM/1726)³
 MAXIMUM RPM = 1725
 TIP SPEED (ft/min) = RPM x 3.829
 MAXIMUM MOTOR FRAME SIZE = 145T
 AVERAGE DISCHARGE VELOCITY (FPM) = cfm/1.72

Performance certified is for installation type A: Free inlet, Free outlet. Power rating (Bhp) does not include transmission losses. Performance ratings do not include the effects of appurtenances (accessories). The sound ratings shown are loudness values in fan sones at 5 ft. (1.5 m) in a hemispherical free field calculated per AMCA Standard 301. Values shown are for installation type A: Free inlet hemispherical sone levels.

Roof Upblast and Sidewall Exhaust Fans

Performance and Dimensional Data

XSEB-141HP - Belt Drive

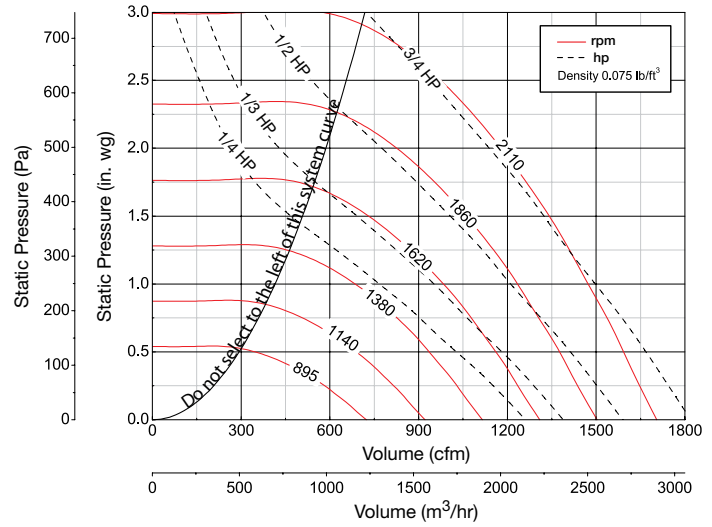


Damper Size = 15 x 15 (381 x 381)
 Damper Frame Size = 17 x 17 (432 x 432)
 Wall Opening = 15 1/2 x 15 1/2 (394 x 394)
 Windband Thickness = 0.051 (1.3)
 Motor Cover Thickness = 0.040 (1.0)
 ^Approximate Unit Weight = 84 lbs. (38 kg)

All dimensions in inches (millimeters).

*May be greater depending on motor.

^Weight shown is largest cataloged Open Drip Proof motor.



Model Number	HP (Size)	Fan RPM		cfm / Static Pressure (in. wg)														
				0.5	0.75	1	1.25	1.5	1.75	2	2.25	2.5	2.75					
XSEB-141HP-4	1/4	895	cfm	331														
			Bhp	0.06														
			sones	6.1														
		1037	cfm	566														
			Bhp	0.10														
			sones	6.7														
	1179	cfm	733	563														
		Bhp	0.13	0.14														
		sones	8.9	9.2														
		cfm	878	756	591													
		Bhp	0.18	0.19	0.19													
		sones	12.1	11.6	13.6													
1321	cfm	1016	920	798														
	Bhp	0.24	0.26	0.26	0.26													
	sones	14.2	13.5	13.2	15.5													
	cfm	1146	1063	965	846	704												
	Bhp	0.31	0.33	0.34	0.34	0.34												
	sones	15.2	14.4	14.2	14.0	15.2												
XSEB-141HP-3	1/3	1605	cfm	1256	1178	1098	999	879	747									
			Bhp	0.38	0.40	0.42	0.43	0.43	0.42									
			sones	16.1	15.4	15.0	14.9	14.7	15.7									
			cfm	1363	1292	1219	1137	1042	924	800								
			Bhp	0.46	0.48	0.50	0.52	0.52	0.52	0.51								
			sones	17.0	16.6	16.2	16.0	15.9	15.6	16.1								
XSEB-141HP-5	1/2	1725	cfm	1463	1399	1330	1260	1176	1086	970	854							
			Bhp	0.54	0.57	0.59	0.61	0.62	0.63	0.62	0.62							
			sones	18.1	17.7	17.4	17.2	17.1	17.0	16.8	16.9							
		1845	cfm	1528	1468	1402	1335	1261	1175	1077	965	826						
			Bhp	0.60	0.63	0.66	0.68	0.69	0.70	0.70	0.69	0.67						
			sones	18.9	18.5	18.2	18.0	18.0	17.8	17.7	17.5	17.8						
XSEB-141HP-7	3/4	1960	cfm	1592	1536	1473	1409	1341	1262	1178	1073	965	804					
			Bhp	0.67	0.70	0.72	0.75	0.77	0.78	0.78	0.78	0.77	0.73					
			sones	19.8	19.3	19.1	19.0	18.9	18.8	18.6	18.5	18.3	20					

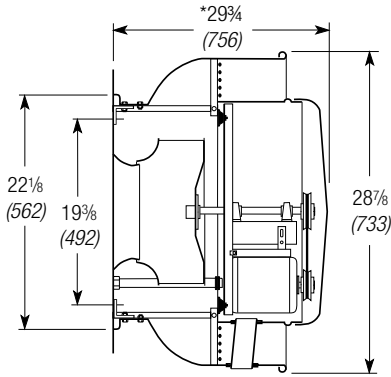
MAXIMUM Bhp AT A GIVEN RPM = (RPM/2285)³
 MAXIMUM RPM = 2110
 TIP SPEED (ft/min) = RPM x 3.829
 MAXIMUM MOTOR FRAME SIZE = 145T
 AVERAGE DISCHARGE VELOCITY (FPM) = cfm/1.72

Performance certified is for installation type A: Free inlet, Free outlet. Power rating (Bhp) does not include transmission losses. Performance ratings do not include the effects of appurtenances (accessories). The sound ratings shown are loudness values in fan sones at 5 ft. (1.5 m) in a hemispherical free field calculated per AMCA Standard 301. Values shown are for installation type A: Free inlet hemispherical sone levels.

Roof Upblast and Sidewall Exhaust Fans

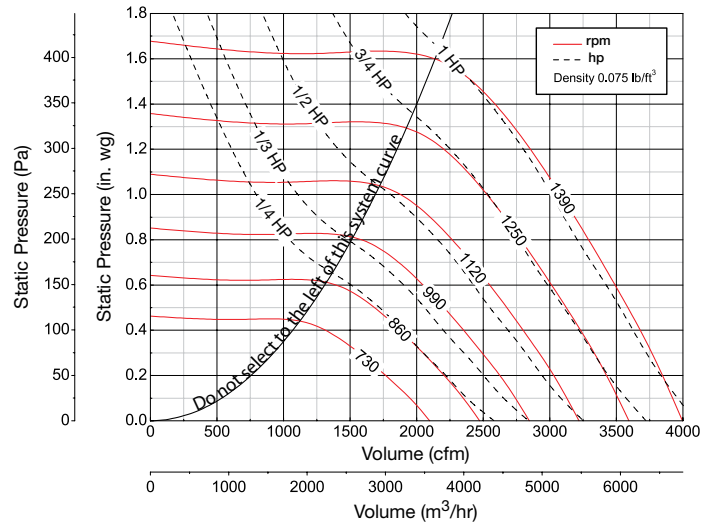
Performance and Dimensional Data

XSEB-161 - Belt Drive



Damper Size = 15 x 15 (381 x 381)
 Damper Frame Size = 17 x 17 (432 x 432)
 Wall Opening = 15 1/2 x 15 1/2 (394 x 394)
 Windband Thickness = 0.051 (1.3)
 Motor Cover Thickness = 0.040 (1.0)
 ^Approximate Unit Weight = 87 lbs. (39 kg)

All dimensions in inches (millimeters).
 *May be greater depending on motor.
 ^Weight shown is largest cataloged Open Drip Proof motor.



Model Number	HP (Size)	Fan RPM		cfm / Static Pressure (in. wg)															
				0	0.125	0.25	0.375	0.5	0.625	0.75	1	1.25	1.5						
XSEB-161-4	1/4	730	cfm	2098	1905	1669	1389												
			Bhp	0.13	0.15	0.15	0.15												
			sones	8.1	8.0	7.8	7.8												
		778	cfm	2236	2058	1843	1596												
			Bhp	0.16	0.18	0.19	0.18												
			sones	8.9	8.7	8.5	8.4												
		826	cfm	2374	2209	2010	1790	1512											
			Bhp	0.20	0.22	0.22	0.22	0.21											
			sones	9.9	9.6	9.3	9.1	9.0											
875	cfm	2515	2362	2177	1974	1744	1365												
	Bhp	0.23	0.26	0.26	0.26	0.26	0.24												
	sones	11.0	10.6	10.1	9.9	9.7	9.7												
XSEB-161-3	1/3	965	cfm	2774	2637	2477	2300	2109	1893	1584									
			Bhp	0.31	0.34	0.35	0.35	0.35	0.34	0.33									
			sones	12.4	12.0	11.5	11.2	10.8	10.6	10.5									
XSEB-161-5	1/2	1038	cfm	2984	2857	2712	2552	2382	2199	1992									
			Bhp	0.39	0.42	0.43	0.44	0.44	0.43	0.43									
			sones	13.7	13.3	12.8	12.4	12.1	11.8	11.6									
		1110	cfm	3191	3072	2941	2796	2641	2475	2297	1770								
			Bhp	0.47	0.51	0.53	0.53	0.54	0.53	0.52	0.49								
			sones	15.0	14.6	14.2	13.8	13.5	13.1	12.9	12.2								
XSEB-161-7	3/4	1188	cfm	3415	3304	3186	3053	2911	2764	2606	2246								
			Bhp	0.58	0.62	0.64	0.65	0.65	0.66	0.65	0.64								
			sones	16.7	16.3	15.8	15.4	15.0	14.7	14.5	14.0								
		1265	cfm	3636	3532	3426	3301	3172	3036	2894	2583	2163							
			Bhp	0.70	0.74	0.77	0.78	0.79	0.79	0.79	0.78	0.75							
			sones	18.5	18.1	17.7	17.2	16.8	16.5	16.3	15.8	15.2							
XSEB-161-10	1	1328	cfm	3817	3718	3619	3502	3383	3253	3124	2843	2510							
			Bhp	0.81	0.85	0.89	0.90	0.91	0.91	0.92	0.90	0.89							
			sones	20	19.6	19.2	18.7	18.3	18.0	17.8	17.4	16.9							
		1390	cfm	3996	3901	3806	3698	3584	3464	3340	3078	2785	2394						
			Bhp	0.93	0.97	1.01	1.03	1.04	1.04	1.05	1.04	1.03	1.00						
			sones	22	21	21	20	19.9	19.6	19.4	19.0	18.6	18.0						

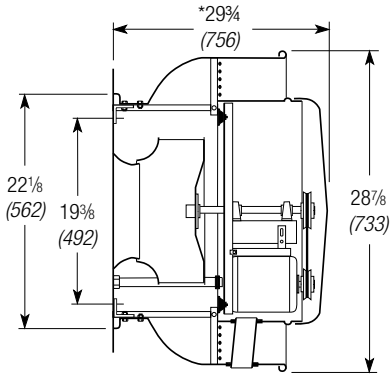
MAXIMUM Bhp AT A GIVEN RPM = (RPM/1365)³
 MAXIMUM RPM = 1390
 TIP SPEED (ft/min) = RPM x 4.352
 MAXIMUM MOTOR FRAME SIZE = 145T
 AVERAGE DISCHARGE VELOCITY (FPM) = cfm/1.72

Performance certified is for installation type A: Free inlet, Free outlet. Power rating (Bhp) does not include transmission losses. Performance ratings do not include the effects of appurtenances (accessories). The sound ratings shown are loudness values in fan sones at 5 ft. (1.5 m) in a hemispherical free field calculated per AMCA Standard 301. Values shown are for installation type A: Free inlet hemispherical sone levels.

Roof Upblast and Sidewall Exhaust Fans

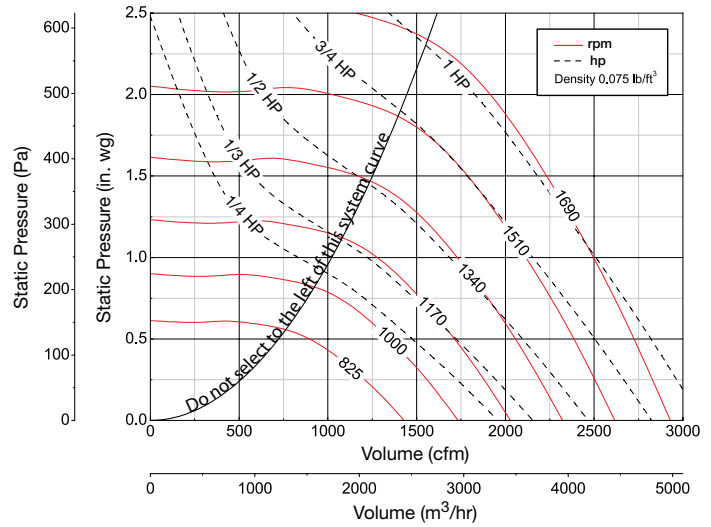
Performance and Dimensional Data

XSEB-161HP - Belt Drive



Damper Size = 15 x 15 (381 x 381)
 Damper Frame Size = 17 x 17 (432 x 432)
 Wall Opening = 15 1/2 x 15 1/2 (394 x 394)
 Windband Thickness = 0.051 (1.3)
 Motor Cover Thickness = 0.040 (1.0)
 ^Approximate Unit Weight = 85 lbs. (39 kg)

All dimensions in inches (millimeters).
 *May be greater depending on motor.
 ^Weight shown is largest cataloged Open Drip Proof motor.



Model Number	HP (Size)	Fan RPM		cfm / Static Pressure (in. wg)																		
				0.5	0.625	0.75	0.875	1	1.25	1.5	1.75	2	2.25									
XSEB-161HP-4	1/4	825	cfm	889																		
			Bhp	0.12																		
			sones	7.0																		
		cfm	1129	956																		
		Bhp	0.16	0.16																		
		sones	8.3	7.8																		
	cfm	1331	1208	1042																		
	Bhp	0.21	0.21	0.21																		
	sones	9.6	9.3	8.8																		
	cfm	1487	1377	1252	1093																	
	Bhp	0.25	0.26	0.26	0.26																	
	sones	11.0	10.6	10.2	9.8																	
XSEB-161HP-3	1/3	1165	cfm	1697	1608	1504	1395	1252														
			Bhp	0.32	0.33	0.34	0.34	0.34														
			sones	12.8	12.7	12.2	11.7	11.3														
XSEB-161HP-5	1/2	1255	cfm	1882	1799	1715	1617	1519	1218													
			Bhp	0.40	0.41	0.42	0.43	0.43	0.42													
			sones	13.1	12.8	12.5	12.0	11.5	10.6													
	cfm	2053	1975	1897	1816	1724	1513															
	Bhp	0.48	0.49	0.50	0.51	0.52	0.52															
	sones	14.4	13.8	13.3	12.8	12.3	11.3															
XSEB-161HP-7	3/4	1441	cfm	2253	2180	2108	2036	1961	1790	1577												
			Bhp	0.59	0.60	0.61	0.63	0.64	0.65	0.65												
			sones	16.3	15.8	15.2	14.7	14.3	13.5	12.3												
	cfm	2433	2368	2301	2233	2165	2015	1855	1638													
	Bhp	0.70	0.72	0.73	0.74	0.76	0.78	0.79	0.78													
	sones	18.1	17.7	17.2	16.8	16.4	15.7	14.9	13.5													
XSEB-161HP-10	1	1610	cfm	2573	2516	2452	2387	2322	2190	2037	1863	1651										
			Bhp	0.80	0.82	0.83	0.85	0.86	0.89	0.90	0.91	0.90										
			sones	19.6	19.2	18.8	18.4	18.1	17.5	16.9	15.8	14.3										
	cfm	2722	2671	2611	2550	2488	2365	2228	2082	1899	1664											
	Bhp	0.92	0.94	0.95	0.97	0.98	1.01	1.03	1.05	1.05	1.03											
	sones	21	21	21	20	20	19.5	19.1	18.6	16.9	15.0											

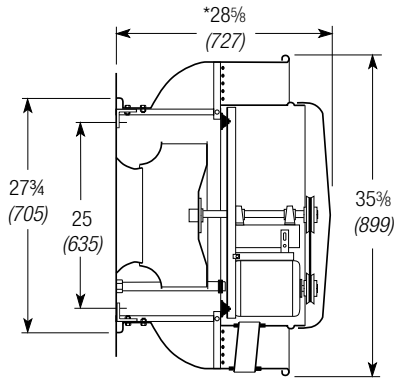
MAXIMUM Bhp AT A GIVEN RPM = (RPM/1660)³
 MAXIMUM RPM = 1690
 TIP SPEED (ft/min) = RPM x 4.352
 MAXIMUM MOTOR FRAME SIZE = 145T
 AVERAGE DISCHARGE VELOCITY (FPM) = cfm/1.72

Performance certified is for installation type A: Free inlet, Free outlet. Power rating (Bhp) does not include transmission losses. Performance ratings do not include the effects of appurtenances (accessories). The sound ratings shown are loudness values in fan sones at 5 ft. (1.5 m) in a hemispherical free field calculated per AMCA Standard 301. Values shown are for installation type A: Free inlet hemispherical sone levels.

Roof Upblast and Sidewall Exhaust Fans

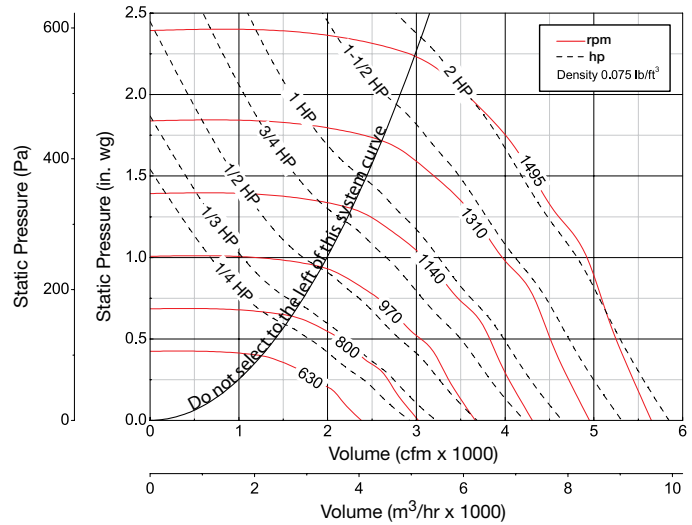
Performance and Dimensional Data

XSEB-180 - Belt Drive



- Damper Size = 17 x 17 (432 x 432)
- Damper Frame Size = 19 x 19 (483 x 483)
- Wall Opening = 17 1/2 x 17 1/2 (445 x 445)
- Windband Thickness = 0.051 (1.3)
- Motor Cover Thickness = 0.040 (1.0)
- ^Approximate Unit Weight = 126 lbs. (57 kg)

All dimensions in inches (millimeters).
 *May be greater depending on motor.
 ^Weight shown is largest cataloged Open Drip Proof motor.



Model Number	HP (Size)	Fan RPM		cfm / Static Pressure (in. wg)												
				0	0.125	0.25	0.5	0.75	1	1.25	1.5	1.75	2			
XSEB-180-4	1/4	630	cfm	2380	2154	1861										
			Bhp	0.13	0.15	0.16										
			sones	7.1	6.4	5.5										
		745	cfm	2815	2617	2448	1763									
			Bhp	0.22	0.24	0.26	0.25									
			sones	9.2	8.6	8.1	7.1									
XSEB-180-3	1/3	820	cfm	3098	2916	2759	2257									
			Bhp	0.30	0.32	0.34	0.34									
			sones	11.2	10.4	10.0	9.0									
XSEB-180-5	1/2	940	cfm	3551	3389	3243	2879	2363								
			Bhp	0.45	0.47	0.49	0.52	0.50								
			sones	13.8	13.5	13.1	12.4	11.2								
XSEB-180-7	3/4	1010	cfm	3816	3664	3526	3242	2799	2105							
			Bhp	0.56	0.58	0.61	0.65	0.64	0.58							
			sones	15.4	15.2	14.9	14.7	13.7	11.8							
		1075	cfm	4061	3919	3786	3554	3141	2652							
			Bhp	0.67	0.70	0.73	0.78	0.78	0.75							
			sones	16.5	16.2	15.8	15.1	14.7	13.3							
XSEB-180-10	1	1185	cfm	4477	4348	4224	4005	3703	3336	2841						
			Bhp	0.90	0.93	0.96	1.01	1.04	1.04	0.99						
			sones	18.5	17.9	17.1	16.5	16.0	15.2	14.4						
XSEB-180-15	1 1/2	1275	cfm	4817	4697	4578	4369	4163	3799	3437	2930					
			Bhp	1.12	1.15	1.19	1.24	1.30	1.30	1.28	1.22					
			sones	21	20	19.5	18.7	18.2	17.5	16.7	15.9					
		1360	cfm	5138	5026	4913	4710	4532	4232	3912	3537	3023				
			Bhp	1.36	1.39	1.43	1.49	1.56	1.58	1.58	1.54	1.46				
			sones	23	23	22	21	21	20	19.2	18.3	17.3				
XSEB-180-20	2	1430	cfm	5402	5296	5189	4993	4819	4593	4270	3968	3567	3001			
			Bhp	1.58	1.62	1.66	1.72	1.79	1.83	1.83	1.83	1.76	1.66			
			sones	25	25	25	24	23	22	22	21	19.5	18.2			
		1495	cfm	5648	5546	5443	5254	5082	4921	4598	4313	3983	3564			
			Bhp	1.80	1.84	1.89	1.96	2.02	2.10	2.10	2.10	2.06	1.99			
			sones	28	27	27	26	25	25	24	23	22	21			

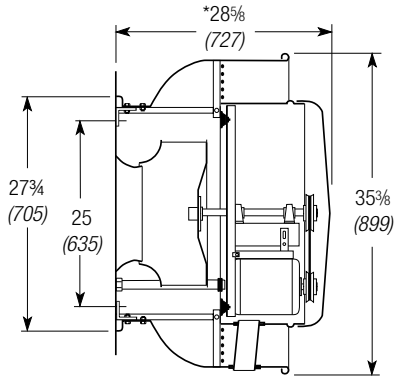
MAXIMUM Bhp AT A GIVEN RPM = (RPM/1167)³
 MAXIMUM RPM = 1495
 TIP SPEED (ft/min) = RPM x 4.843
 MAXIMUM MOTOR FRAME SIZE = 184T
 AVERAGE DISCHARGE VELOCITY (FPM) = cfm/2.92

Performance certified is for installation type A: Free inlet, Free outlet. Power rating (Bhp) does not include transmission losses. Performance ratings do not include the effects of appurtenances (accessories). The sound ratings shown are loudness values in fan sones at 5 ft. (1.5 m) in a hemispherical free field calculated per AMCA Standard 301. Values shown are for installation type A: Free inlet hemispherical sone levels.

Roof Upblast and Sidewall Exhaust Fans

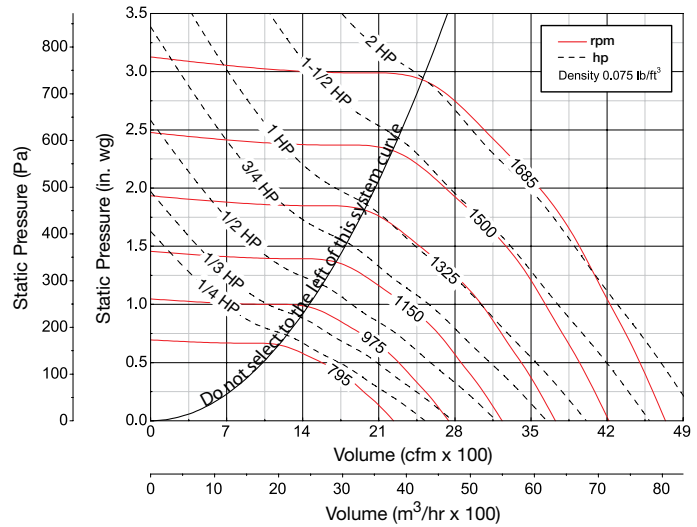
Performance and Dimensional Data

XSEB-180HP - Belt Drive



Damper Size = 17 x 17 (432 x 432)
 Damper Frame Size = 19 x 19 (483 x 483)
 Wall Opening = 17½ x 17½ (445 x 445)
 Windband Thickness = 0.051 (1.3)
 Motor Cover Thickness = 0.040 (1.0)
 ^Approximate Unit Weight = 126 lbs. (57 kg)

All dimensions in inches (millimeters).
 *May be greater depending on motor.
 ^Weight shown is largest cataloged Open Drip Proof motor.



Model Number	HP (Size)	Fan RPM		cfm / Static Pressure (in. wg)													
				0.5	0.75	1	1.25	1.5	1.75	2	2.25	2.5	2.75				
XSEB-180HP-4	1/4	795	cfm	1570													
			Bhp	0.22													
			sones	8.3													
		845	cfm	1799													
			Bhp	0.26													
			sones	9.5													
XSEB-180HP-3	1/3	925	cfm	2104	1688												
			Bhp	0.34	0.35												
			sones	10.8	9.8												
XSEB-180HP-5	1/2	1065	cfm	2581	2323	1933											
			Bhp	0.50	0.52	0.53											
			sones	13.8	12.5	12.4											
XSEB-180HP-7	3/4	1215	cfm	3063	2868	2626	2286	1854									
			Bhp	0.72	0.76	0.78	0.79	0.75									
			sones	15.0	14.5	14.0	13.4	12.9									
XSEB-180HP-10	1	1275	cfm	3253	3066	2853	2566	2209									
			Bhp	0.82	0.87	0.89	0.91	0.89									
			sones	16.7	15.8	15.4	14.9	14.3									
		1335	cfm	3441	3261	3075	2839	2523	2156								
			Bhp	0.93	0.98	1.02	1.04	1.04	1.04	1.01							
			sones	18.7	17.4	17.0	16.6	16.1	15.6								
XSEB-180HP-15	1½	1430	cfm	3735	3566	3401	3206	2964	2669	2320							
			Bhp	1.13	1.19	1.23	1.26	1.27	1.28	1.24							
			sones	22	21	19.7	19.3	18.9	18.4	17.9							
1530	cfm	4005	3853	3696	3538	3338	3089	2807	2479								
	Bhp	1.34	1.40	1.46	1.50	1.52	1.53	1.54	1.49								
	sones	23	22	21	21	20	19.7	19.1	18.4								
XSEB-180HP-20	2	1610	cfm	4273	4136	3986	3840	3674	3485	3233	2965	2656					
			Bhp	1.58	1.64	1.70	1.76	1.79	1.81	1.82	1.82	1.78					
			sones	25	24	23	23	22	21	21	20	19.2					
		1685	cfm	4495	4369	4226	4085	3945	3768	3575	3325	3061	2766				
			Bhp	1.79	1.86	1.93	1.99	2.04	2.07	2.08	2.09	2.08	2.04				
			sones	27	26	25	26	24	23	22	21	21	20				

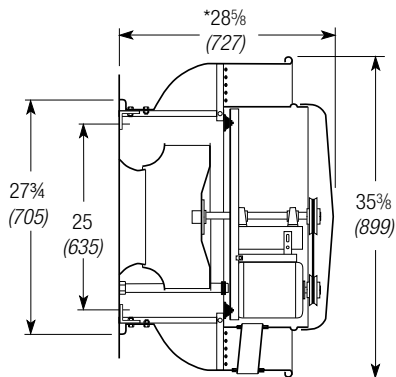
MAXIMUM Bhp AT A GIVEN RPM = (RPM/1315)³
 MAXIMUM RPM = 1685
 TIP SPEED (ft/min) = RPM x 4.843
 MAXIMUM MOTOR FRAME SIZE = 184T
 AVERAGE DISCHARGE VELOCITY (FPM) = cfm/2.92

Performance certified is for installation type A: Free inlet, Free outlet. Power rating (Bhp) does not include transmission losses. Performance ratings do not include the effects of appurtenances (accessories). The sound ratings shown are loudness values in fan sones at 5 ft. (1.5 m) in a hemispherical free field calculated per AMCA Standard 301. Values shown are for installation type A: Free inlet hemispherical sone levels.

Roof Upblast and Sidewall Exhaust Fans

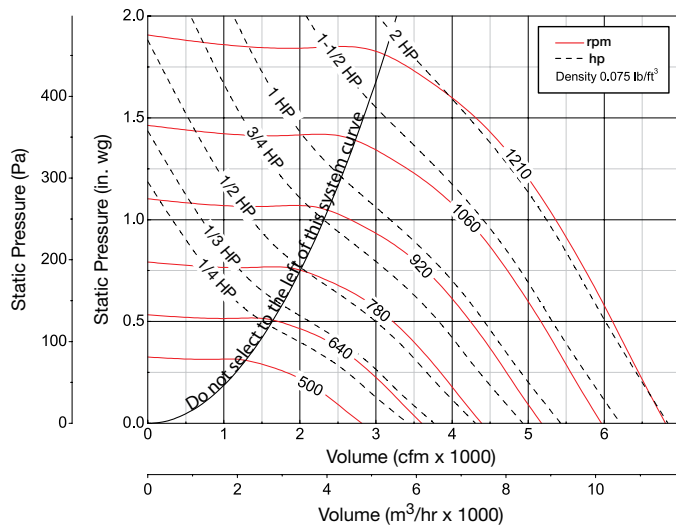
Performance and Dimensional Data

XSEB-200 - Belt Drive



Damper Size = 17 x 17 (432 x 432)
 Damper Frame Size = 19 x 19 (483 x 483)
 Wall Opening = 17 1/2 x 17 1/2 (445 x 445)
 Windband Thickness = 0.051 (1.3)
 Motor Cover Thickness = 0.040 (1.0)
 ^Approximate Unit Weight = 142 lbs. (64 kg)

All dimensions in inches (millimeters).
 *May be greater depending on motor.
 ^Weight shown is largest cataloged Open Drip Proof motor.



Model Number	HP (Size)	Fan RPM		cfm / Static Pressure (in. wg)											
				0	0.125	0.25	0.375	0.5	0.75	1	1.25	1.5	1.75		
XSEB-200-4	1/4	500	cfm	2812	2386	1822									
			Bhp	0.14	0.15	0.15									
			sones	6.2	5.4	4.6									
		605	cfm	3403	3054	2675	2144								
			Bhp	0.25	0.26	0.26	0.25								
			sones	8.1	7.4	6.7	6.1								
XSEB-200-3	1/3	665	cfm	3740	3422	3096	2699	2073							
			Bhp	0.33	0.34	0.35	0.35	0.33							
			sones	9.4	8.8	8.1	7.5	7.0							
XSEB-200-5	1/2	760	cfm	4275	3994	3718	3413	3048							
			Bhp	0.49	0.51	0.52	0.52	0.51							
			sones	12.1	11.7	10.9	10.1	9.4							
XSEB-200-7	3/4	820	cfm	4612	4350	4098	3828	3523	2606						
			Bhp	0.61	0.63	0.65	0.65	0.65	0.61						
			sones	14.1	14.1	13.0	12.2	11.4	10.7						
		875	cfm	4922	4676	4439	4192	3922	3240						
			Bhp	0.75	0.77	0.78	0.79	0.79	0.78						
			sones	16.3	16.3	15.2	14.7	13.5	12.4						
XSEB-200-10	1	960	cfm	5400	5176	4958	4742	4508	3985	3169					
			Bhp	0.98	1.01	1.03	1.04	1.04	1.04	1.00					
			sones	18.7	18.4	17.7	17.0	16.4	15.0	14.4					
XSEB-200-15	1 1/2	1030	cfm	5793	5585	5380	5179	4968	4503	3917	2972				
			Bhp	1.22	1.24	1.26	1.28	1.29	1.29	1.27	1.18				
			sones	21	21	20	19.2	18.7	17.5	16.4	16.8				
		1100	cfm	6187	5992	5798	5610	5421	5006	4529	3861				
			Bhp	1.48	1.51	1.53	1.55	1.57	1.57	1.57	1.53				
			sones	23	23	23	22	21	20	19.3	18.6				
XSEB-200-20	2	1155	cfm	6496	6311	6125	5946	5767	5383	4948	4410	3629			
			Bhp	1.72	1.74	1.77	1.79	1.81	1.81	1.81	1.80	1.71			
			sones	24	24	23	23	22	21	20	19.2	19.9			
		1210	cfm	6806	6628	6451	6279	6108	5748	5350	4892	4289	3365		
			Bhp	1.97	2.00	2.03	2.05	2.07	2.09	2.09	2.08	2.04	1.88		
			sones	25	24	23	23	22	21	21	19.8	19.7	21		

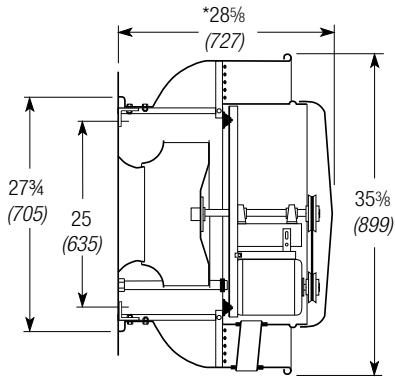
MAXIMUM Bhp AT A GIVEN RPM = (RPM/946)³
 MAXIMUM RPM = 1210
 TIP SPEED (ft/min) = RPM x 5.595
 MAXIMUM MOTOR FRAME SIZE = 184T
 AVERAGE DISCHARGE VELOCITY (FPM) = cfm/2.92

Performance certified is for installation type A: Free inlet, Free outlet. Power rating (Bhp) does not include transmission losses. Performance ratings do not include the effects of appurtenances (accessories). The sound ratings shown are loudness values in fan sones at 5 ft. (1.5 m) in a hemispherical free field calculated per AMCA Standard 301. Values shown are for installation type A: Free inlet hemispherical sone levels.

Roof Upblast and Sidewall Exhaust Fans

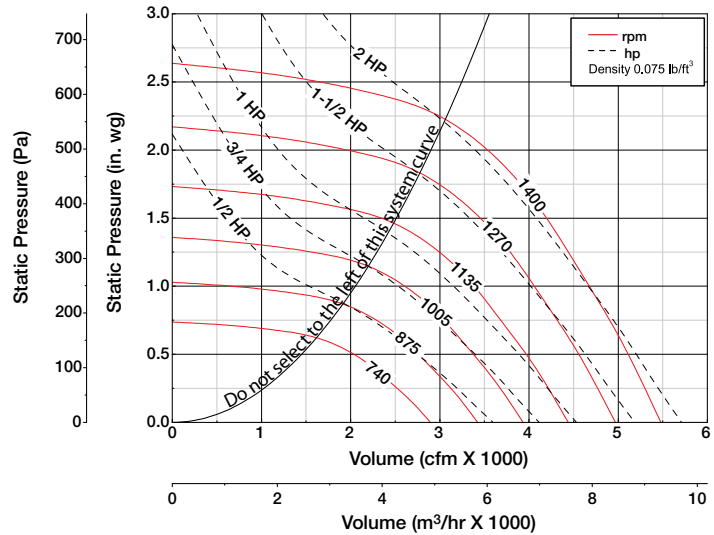
Performance and Dimensional Data

XSEB-200HP - Belt Drive



- Damper Size = 17 x 17 (432 x 432)
- Damper Frame Size = 19 x 19 (483 x 483)
- Wall Opening = 17 1/2 x 17 1/2 (445 x 445)
- Windband Thickness = 0.051 (1.3)
- Motor Cover Thickness = 0.040 (1.0)
- ^Approximate Unit Weight = 142 lbs. (64 kg)

All dimensions in inches (millimeters).
 *May be greater depending on motor.
 ^Weight shown is largest cataloged Open Drip Proof motor.



Model Number	HP (Size)	Fan RPM		cfm / Static Pressure (in. wg)																	
				0.5	0.625	0.75	0.875	1	1.25	1.5	1.625	1.75	2								
XSEB-200HP-5	1/2	740	cfm	2024																	
			Bhp	0.31																	
			sones	8.1																	
		880	cfm	2431	2156																
			Bhp	0.40	0.41																
			sones	9.3	8.7																
			cfm	2779	2578	2317	1922														
			Bhp	0.51	0.52	0.52	0.50														
			sones	10.5	10.1	9.5	8.7														
XSEB-200HP-7	3/4	945	cfm	3094	2915	2711	2468	2092													
			Bhp	0.62	0.64	0.64	0.64	0.62													
			sones	12.2	11.8	11.5	11.1	10.6													
		cfm	3397	3235	3067	2865	2637														
		Bhp	0.75	0.77	0.78	0.79	0.79														
		sones	14.5	14.1	13.7	13.5	13.2														
XSEB-200HP-10	1	1060	cfm	3625	3476	3316	3157	2944	2370												
			Bhp	0.86	0.88	0.89	0.91	0.91	0.88												
			sones	16.0	15.7	15.3	15.1	14.9	14.6												
		cfm	3851	3710	3561	3409	3242	2806													
		Bhp	0.98	1.00	1.02	1.03	1.04	1.04													
		sones	16.9	16.5	16.2	15.9	15.7	15.5													
XSEB-200HP-15	1 1/2	1190	cfm	4207	4075	3944	3803	3661	3321	2850											
			Bhp	1.20	1.22	1.24	1.25	1.27	1.29	1.26											
			sones	19.0	18.5	18.1	17.7	17.5	17.3	17.5											
		cfm	4558	4435	4312	4188	4055	3789	3433	3237	2944										
		Bhp	1.44	1.47	1.49	1.51	1.53	1.56	1.56	1.56	1.53										
		sones	22	21	21	20	20	19.7	19.3	19.4	19.8										
XSEB-200HP-20	2	1335	cfm	4837	4724	4606	4489	4369	4116	3826	3654	3482	2946								
			Bhp	1.67	1.69	1.71	1.74	1.76	1.79	1.82	1.82	1.82	1.82	1.75							
			sones	23	23	23	22	22	21	21	21	21	21	22							
		cfm	5110	5009	4898	4786	4674	4436	4195	4044	3880	3515									
		Bhp	1.91	1.94	1.96	1.98	2.01	2.05	2.09	2.09	2.09	2.08									
		sones	24	24	24	24	24	23	21	22	22	22	23								

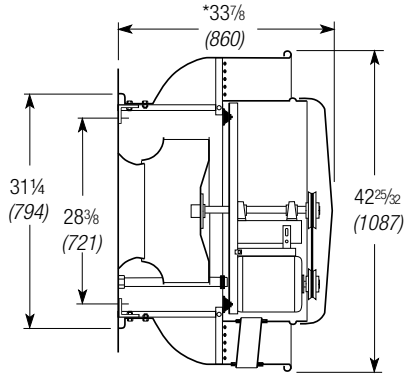
MAXIMUM Bhp AT A GIVEN RPM = (RPM/1093)³
 MAXIMUM RPM = 1400
 TIP SPEED (ft/min) = RPM x 5.595
 MAXIMUM MOTOR FRAME SIZE = 184T
 AVERAGE DISCHARGE VELOCITY (FPM) = cfm/2.92

Performance certified is for installation type A: Free inlet, Free outlet. Power rating (Bhp) does not include transmission losses. Performance ratings do not include the effects of appurtenances (accessories). The sound ratings shown are loudness values in fan sones at 5 ft. (1.5 m) in a hemispherical free field calculated per AMCA Standard 301. Values shown are for installation type A: Free inlet hemispherical sone levels.

Roof Upblast and Sidewall Exhaust Fans

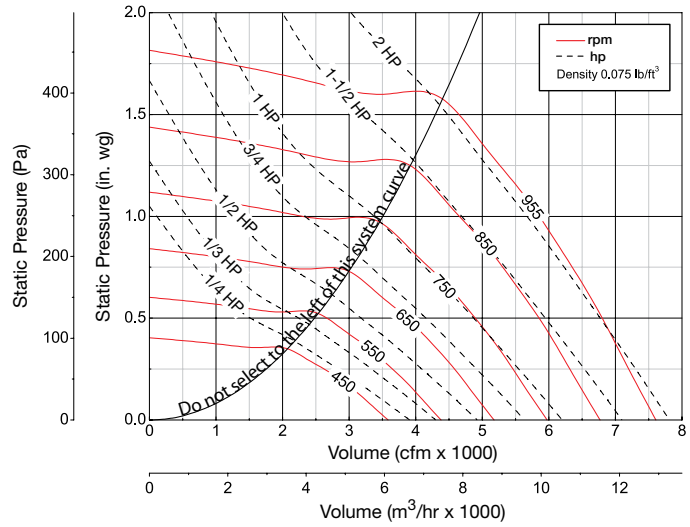
Performance and Dimensional Data

XSEB-220 - Belt Drive



- Damper Size = 20 x 20 (508 x 508)
- Damper Frame Size = 22 x 22 (559 x 559)
- Wall Opening = 20 1/2 x 20 1/2 (521 x 521)
- Windband Thickness = 0.064 (1.6)
- Motor Cover Thickness = 0.051 (1.3)
- ^Approximate Unit Weight = 174 lbs. (79 kg)

All dimensions in inches (millimeters).
 *May be greater depending on motor.
 ^Weight shown is largest cataloged Open Drip Proof motor.



Model Number	HP (Size)	Fan RPM		cfm / Static Pressure (in. wg)															
				0	0.125	0.25	0.375	0.5	0.625	0.75	1	1.25	1.5						
XSEB-220-4	1/4	450	cfm	3585	3155	2624													
			Bhp	0.19	0.21	0.22													
			sones	7.3	6.6	6.0													
		475	cfm	3784	3377	2896	2268												
			Bhp	0.23	0.25	0.26	0.25												
			sones	7.9	7.2	6.5	6.1												
XSEB-220-3	1/3	520	cfm	4142	3771	3357	2845												
			Bhp	0.30	0.32	0.34	0.34												
			sones	9.3	8.4	7.6	7.1												
XSEB-220-5	1/2	600	cfm	4779	4457	4124	3736	3279											
			Bhp	0.46	0.48	0.51	0.52	0.52											
			sones	12.0	11.0	10.0	9.3	8.8											
XSEB-220-7	3/4	645	cfm	5138	4838	4539	4194	3811	3346										
			Bhp	0.57	0.60	0.63	0.64	0.65	0.64										
			sones	13.4	12.6	11.8	11.1	10.4	9.9										
		685	cfm	5457	5174	4893	4581	4234	3836	3383									
			Bhp	0.68	0.71	0.74	0.76	0.78	0.78	0.77									
			sones	14.8	14.0	13.4	12.9	12.1	11.6	11.1									
XSEB-220-10	1	755	cfm	6014	5758	5502	5239	4944	4620	4258									
			Bhp	0.91	0.94	0.98	1.01	1.03	1.04	1.04									
			sones	17.3	16.7	16.3	16.0	15.5	14.8	14.3									
XSEB-220-15	1 1/2	810	cfm	6452	6213	5975	5737	5470	5185	4883	4156								
			Bhp	1.13	1.16	1.20	1.24	1.26	1.28	1.29	1.27								
			sones	18.7	18.1	17.7	17.3	16.9	16.2	15.6	14.7								
		865	cfm	6890	6667	6443	6220	5987	5729	5453	4835	4111							
			Bhp	1.37	1.41	1.45	1.49	1.52	1.54	1.56	1.57	1.53							
			sones	20	19.9	19.3	18.9	18.5	17.8	17.2	16.3	15.9							
XSEB-220-20	2	910	cfm	7249	7036	6823	6612	6400	6158	5909	5365	4704							
			Bhp	1.6	1.64	1.68	1.72	1.76	1.78	1.81	1.83	1.81							
			sones	23	22	22	21	21	19.9	19.1	18.0	17.1							
		955	cfm	7607	7405	7202	7000	6799	6580	6347	5844	5261	4602						
			Bhp	1.85	1.89	1.93	1.97	2.02	2.05	2.07	2.11	2.11	2.07						
			sones	25	25	24	24	23	23	22	20	19	18.6						

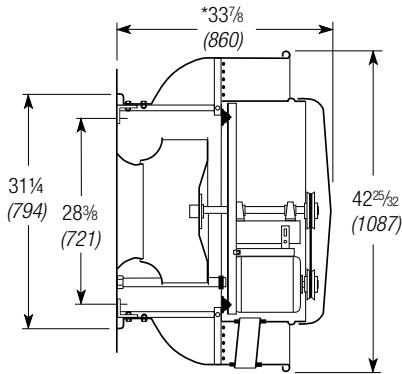
MAXIMUM Bhp AT A GIVEN RPM = (RPM/743)³
 MAXIMUM RPM = 955
 TIP SPEED (ft/min) = RPM x 6.413
 MAXIMUM MOTOR FRAME SIZE = 184T
 AVERAGE DISCHARGE VELOCITY (FPM) = cfm/3.76

Performance certified is for installation type A: Free inlet, Free outlet. Power rating (Bhp) does not include transmission losses. Performance ratings do not include the effects of appurtenances (accessories). The sound ratings shown are loudness values in fan sones at 5 ft. (1.5 m) in a hemispherical free field calculated per AMCA Standard 301. Values shown are for installation type A: Free inlet hemispherical sone levels.

Roof Upblast and Sidewall Exhaust Fans

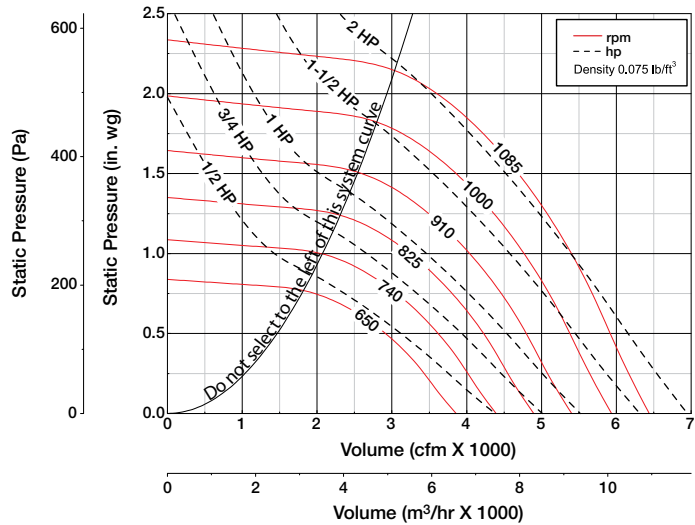
Performance and Dimensional Data

XSEB-220HP - Belt Drive



Damper Size = 20 x 20 (508 x 508)
 Damper Frame Size = 22 x 22 (559 x 559)
 Wall Opening = 20 1/2 x 20 1/2 (521 x 521)
 Windband Thickness = 0.064 (1.6)
 Motor Cover Thickness = 0.051 (1.3)
 ^Approximate Unit Weight = 174 lbs. (79 kg)

All dimensions in inches (millimeters).
 *May be greater depending on motor.
 ^Weight shown is largest cataloged Open Drip Proof motor.



Model Number	HP (Size)	Fan RPM		cfm / Static Pressure (in. wg)																		
				0.5	0.625	0.75	0.875	1	1.25	1.5	1.625	1.75	2									
XSEB-220HP-5	1/2	650	cfm	2909	2534	1940																
			Bhp	0.45	0.45	0.42																
			sones	8.6	7.9	7.5																
		680	cfm	3151	2830	2405																
			Bhp	0.51	0.52	0.51																
			sones	9.6	9.0	8.6																
XSEB-220HP-7	3/4	730	cfm	3545	3279	2958	2545															
			Bhp	0.62	0.64	0.64	0.63															
			sones	11.5	10.9	10.6	10.3															
		780	cfm	3902	3680	3427	3114	2716														
			Bhp	0.74	0.76	0.78	0.78	0.77														
			sones	13.2	12.6	12.2	12.1	11.9														
XSEB-220HP-10	1	820	cfm	4182	3992	3757	3493	3181														
			Bhp	0.85	0.88	0.90	0.91	0.90														
			sones	13.8	13.4	13.1	12.9	12.7														
		860	cfm	4459	4277	4075	3850	3578	2863													
			Bhp	0.96	1.00	1.02	1.04	1.05	1.01													
			sones	14.8	14.2	14.1	13.9	13.7	12.9													
XSEB-220HP-15	1 1/2	902	cfm	4743	4573	4400	4188	3969	3386													
			Bhp	1.10	1.13	1.17	1.19	1.20	1.20													
			sones	16.1	15.5	15.1	15.0	14.9	14.2													
		944	cfm	5016	4865	4699	4521	4315	3834	3169												
			Bhp	1.24	1.28	1.32	1.35	1.37	1.38	1.34												
			sones	17.4	16.8	16.2	16.2	16.1	15.6	14.6												
XSEB-220HP-20	2	985	cfm	5281	5146	4988	4829	4642	4220	3674	3340	2825										
			Bhp	1.39	1.44	1.48	1.51	1.54	1.57	1.56	1.53	1.46										
			sones	18.8	18.3	17.6	17.3	17.2	16.9	16.2	15.5	14.6										
		1035	cfm	5602	5476	5335	5184	5033	4659	4209	3937	3630										
			Bhp	1.60	1.65	1.69	1.73	1.77	1.81	1.82	1.81	1.79										
			sones	21	20	19.5	18.7	18.6	18.5	18.1	17.7	17.0										
1085	cfm	5920	5800	5678	5534	5390	5061	4679	4454	4210	3573											
	Bhp	1.82	1.87	1.92	1.96	2.00	2.06	2.10	2.10	2.09	2.03											
	sones	23	22	21	21	20	20	19.8	19.6	19.3	17.8											

MAXIMUM Bhp AT A GIVEN RPM = (RPM/847)³
 MAXIMUM RPM = 1085
 TIP SPEED (ft/min) = RPM x 6.413
 MAXIMUM MOTOR FRAME SIZE = 184T
 AVERAGE DISCHARGE VELOCITY (FPM) = cfm/3.76

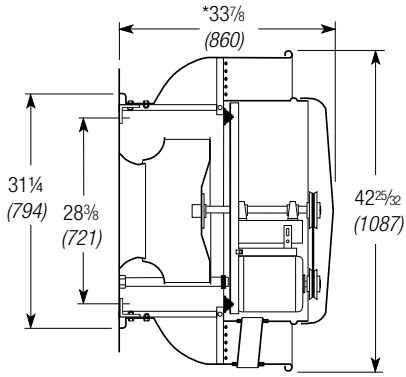
Performance certified is for installation type A: Free inlet, Free outlet. Power rating (Bhp) does not include transmission losses. Performance ratings do not include the effects of appurtenances (accessories). The sound ratings shown are loudness values in fan sones at 5 ft. (1.5 m) in a hemispherical free field calculated per AMCA Standard 301. Values shown are for installation type A: Free inlet hemispherical sone levels.



Roof Upblast and Sidewall Exhaust Fans

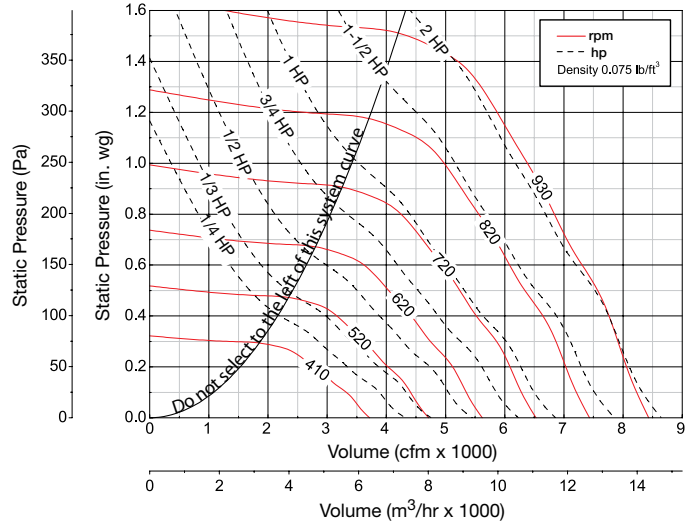
Performance and Dimensional Data

XSEB-240 - Belt Drive



Damper Size = 20 x 20 (508 x 508)
 Damper Frame Size = 22 x 22 (559 x 559)
 Wall Opening = 20 1/2 x 20 1/2 (521 x 521)
 Windband Thickness = 0.064 (1.6)
 Motor Cover Thickness = 0.051 (1.3)
 ^Approximate Unit Weight = 175 lbs. (79 kg)

All dimensions in inches (millimeters).
 *May be greater depending on motor.
 ^Weight shown is largest cataloged Open Drip Proof motor.



Model Number	HP (Size)	Fan RPM		cfm / Static Pressure (in. wg)												
				0	0.125	0.25	0.375	0.5	0.625	0.75	1	1.25	1.5			
XSEB-240-4	1/4	410	cfm	3717	3170	2471										
			Bhp	0.16	0.18	0.18										
			sones	6.4	5.8	5.3										
		465	cfm	4216	3768	3188	2162									
			Bhp	0.23	0.25	0.26	0.23									
			sones	7.6	7.0	6.3	5.9									
XSEB-240-3	1/3	510	cfm	4623	4243	3717	3134									
			Bhp	0.31	0.33	0.34	0.34									
			sones	8.9	8.1	7.3	6.9									
XSEB-240-5	1/2	585	cfm	5303	4961	4540	4093	3565								
			Bhp	0.46	0.49	0.51	0.52	0.51								
			sones	11.5	10.5	9.5	8.8	8.4								
XSEB-240-7	3/4	628	cfm	5693	5368	5010	4590	4141	3600							
			Bhp	0.57	0.61	0.63	0.64	0.65	0.63							
			sones	12.9	11.9	11.1	10.4	9.8	9.4							
		670	cfm	6074	5763	5461	5052	4659	4202	3524						
			Bhp	0.69	0.74	0.76	0.78	0.79	0.78	0.73						
			sones	14.3	13.4	12.8	12.2	11.5	11.0	10.6						
XSEB-240-10	1	735	cfm	6663	6370	6133	5764	5409	5037	4618						
			Bhp	0.92	0.97	0.99	1.01	1.03	1.04	1.03						
			sones	16.6	15.9	15.5	15.1	14.6	13.9	13.4						
		790	cfm	7162	6883	6661	6361	6011	5693	5332	4453					
			Bhp	1.14	1.20	1.22	1.25	1.27	1.28	1.29	1.24					
			sones	18.2	17.5	17.2	16.8	16.3	15.7	15.0	14.3					
XSEB-240-15	1 1/2	845	cfm	7660	7400	7184	6947	6615	6304	6002	5282					
			Bhp	1.39	1.46	1.49	1.51	1.54	1.56	1.57	1.56					
			sones	19.6	19.0	18.6	18.2	17.6	17.0	16.4	15.4					
XSEB-240-20	2	888	cfm	8050	7802	7590	7394	7083	6772	6489	5854	5088				
			Bhp	1.62	1.69	1.72	1.75	1.78	1.81	1.82	1.83	1.77				
			sones	21	21	21	20	19.5	18.7	18.0	17.0	16.4				
		930	cfm	8431	8194	7985	7798	7536	7233	6953	6375	5706	4324			
			Bhp	1.86	1.93	1.98	2.00	2.03	2.06	2.08	2.10	2.07	1.83			
			sones	24	23	23	22	22	21	19.9	18.7	17.8	17.9			

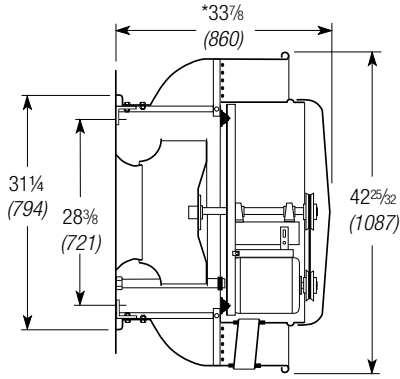
MAXIMUM Bhp AT A GIVEN RPM = (RPM/725)³
 MAXIMUM RPM = 930
 TIP SPEED (ft/min) = RPM x 6.413
 MAXIMUM MOTOR FRAME SIZE = 184T
 AVERAGE DISCHARGE VELOCITY (FPM) = cfm/3.76

Performance certified is for installation type A: Free inlet, Free outlet. Power rating (Bhp) does not include transmission losses. Performance ratings do not include the effects of appurtenances (accessories). The sound ratings shown are loudness values in fan sones at 5 ft. (1.5 m) in a hemispherical free field calculated per AMCA Standard 301. Values shown are for installation type A: Free inlet hemispherical sone levels.

Roof Upblast and Sidewall Exhaust Fans

Performance and Dimensional Data

XSEB-240HP - Belt Drive

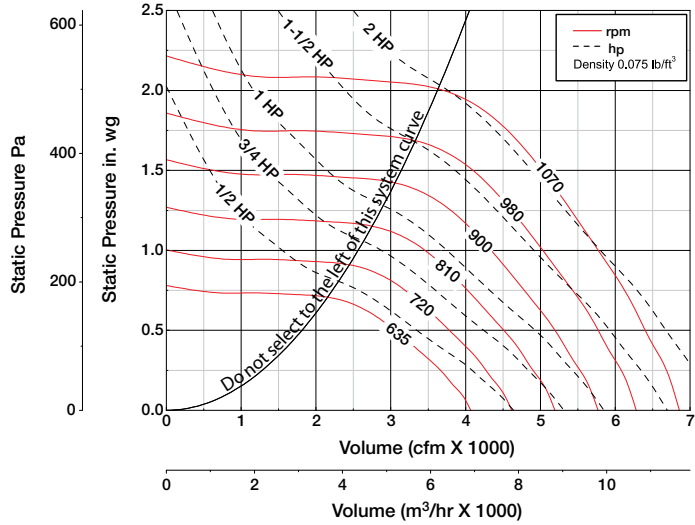


- Damper Size = 20 x 20 (508 x 508)
- Damper Frame Size = 22 x 22 (559 x 559)
- Wall Opening = 20 1/2 x 20 1/2 (521 x 521)
- Windband Thickness = 0.064 (1.6)
- Motor Cover Thickness = 0.051 (1.3)
- ^Approximate Unit Weight = 174 lbs. (kg)

All dimensions in inches (millimeters).

*May be greater depending on motor.

^Weight shown is largest cataloged Open Drip Proof motor.



Model Number	HP (Size)	Fan RPM		cfm / Static Pressure (in. wg)																	
				0.5	0.625	0.75	0.875	1	1.25	1.5	1.625	1.75	2								
XSEB-240HP-5	1/2	635	cfm	3046	2673																
			Bhp	0.43	0.43																
			sones	8.1	7.4																
		675	cfm	3405	3070	2607															
			Bhp	0.51	0.52	0.51															
			sones	9.4	8.8	8.4															
XSEB-240HP-7	3/4	725	cfm	3824	3547	3222	2751														
			Bhp	0.62	0.64	0.65	0.63														
			sones	11.3	10.7	10.3	10.1														
		775	cfm	4233	3979	3704	3400	2940													
			Bhp	0.75	0.77	0.78	0.79	0.77													
			sones	13.1	12.5	12.1	12.0	11.8													
XSEB-240HP-10	1	813	cfm	4529	4295	4054	3771	3481													
			Bhp	0.85	0.88	0.90	0.91	0.91													
			sones	13.7	13.2	13.0	12.7	12.5													
		850	cfm	4812	4599	4367	4123	3846	3025												
			Bhp	0.96	0.99	1.01	1.03	1.04	1.00												
			sones	14.5	14.0	13.8	13.7	13.4	12.6												
XSEB-240HP-15	1 1/2	892	cfm	5129	4932	4717	4497	4250	3687												
			Bhp	1.09	1.13	1.16	1.18	1.20	1.20												
			sones	15.7	15.1	14.9	14.8	14.6	14.0												
		934	cfm	5443	5255	5061	4850	4640	4140	3359											
			Bhp	1.23	1.28	1.31	1.34	1.37	1.38	1.33											
			sones	17.1	16.5	16.0	15.9	15.8	15.3	14.2											
XSEB-240HP-20	2	975	cfm	5737	5567	5387	5190	4988	4539	4006	3542										
			Bhp	1.39	1.43	1.48	1.51	1.53	1.56	1.56	1.52										
			sones	18.4	17.9	17.3	17.0	16.9	16.6	15.9	15.0										
		1023	cfm	6075	5927	5756	5581	5389	4995	4533	4296	3854									
			Bhp	1.59	1.63	1.68	1.72	1.75	1.80	1.81	1.82	1.77									
			sones	20	19.6	19.0	18.3	18.3	18.1	17.7	17.3	16.4									
1070	cfm	6404	6272	6112	5949	5775	5407	4990	4770	4550	3625										
	Bhp	1.80	1.84	1.89	1.94	1.98	2.04	2.07	2.07	2.08	1.95										
	sones	22	22	21	20	19.7	19.7	19.4	19.1	18.8	16.6										

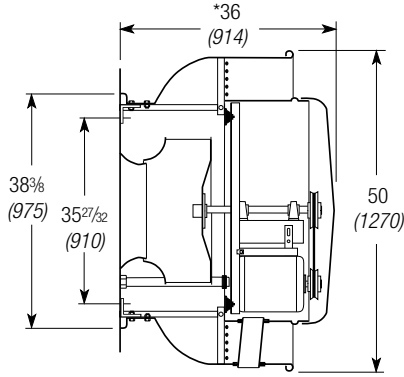
MAXIMUM Bhp AT A GIVEN RPM = (RPM/837)³
 MAXIMUM RPM = 1070
 TIP SPEED (ft/min) = RPM x 6.413
 MAXIMUM MOTOR FRAME SIZE = 184T
 AVERAGE DISCHARGE VELOCITY (FPM) = cfm/3.76

Performance certified is for installation type A: Free inlet, Free outlet. Power rating (Bhp) does not include transmission losses. Performance ratings do not include the effects of appurtenances (accessories). The sound ratings shown are loudness values in fan sones at 5 ft. (1.5 m) in a hemispherical free field calculated per AMCA Standard 301. Values shown are for installation type A: Free inlet hemispherical sone levels.

Roof Upblast and Sidewall Exhaust Fans

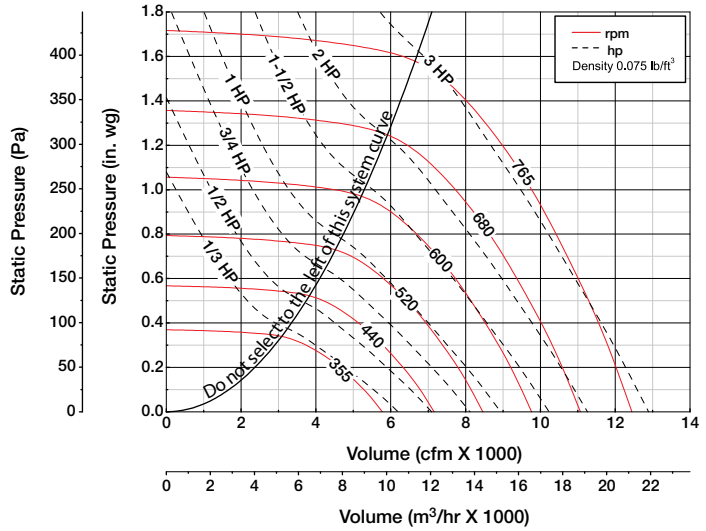
Performance and Dimensional Data

XSEB-300 - Belt Drive



- Damper Size = 25 x 25 (635 x 635)
- Damper Frame Size = 27 x 27 (686 x 686)
- Wall Opening = 25 1/2 x 25 1/2 (648 x 648)
- Windband Thickness = 0.064 (1.6)
- Motor Cover Thickness = 0.051 (1.3)
- ^Approximate Unit Weight = 313 lbs. (142 kg)

All dimensions in inches (millimeters).
 *May be greater depending on motor.
 ^Weight shown is largest cataloged Open Drip Proof motor.



Model Number	HP (Size)	Fan RPM		cfm / Static Pressure (in. wg)																	
				0	0.125	0.25	0.375	0.5	0.625	0.75	1	1.25	1.5								
XSEB-300-3	1/3	355	cfm	5777	5132	4227															
			Bhp	0.27	0.30	0.31															
			sones	6.9	6.3	5.3															
		365	cfm	5940	5316	4464															
			Bhp	0.29	0.33	0.34															
			sones	7.2	6.5	5.7															
XSEB-300-5	1/2	420	cfm	6835	6314	5660	4820														
			Bhp	0.45	0.49	0.52	0.52														
			sones	9.0	8.2	7.5	6.9														
XSEB-300-7	3/4	480	cfm	7811	7377	6844	6231	5440													
			Bhp	0.67	0.72	0.76	0.78	0.77													
			sones	11.0	10.5	9.9	9.3	8.5													
XSEB-300-10	1	530	cfm	8625	8231	7772	7245	6636	5879												
			Bhp	0.90	0.95	1.00	1.03	1.05	1.04												
			sones	13.3	12.7	12.2	11.7	11.2	10.2												
XSEB-300-15	1 1/2	568	cfm	9243	8876	8463	7996	7477	6842	6052											
			Bhp	1.11	1.17	1.22	1.26	1.28	1.29	1.26											
			sones	15.2	14.6	14.0	13.6	13.2	12.4	11.5											
		605	cfm	9845	9501	9127	8705	8226	7708	7084											
			Bhp	1.34	1.40	1.46	1.51	1.54	1.56	1.55											
			sones	17.0	16.4	15.7	15.2	14.8	14.3	13.5											
XSEB-300-20	2	635	cfm	10334	10005	9662	9259	8823	8359	7798	6334										
			Bhp	1.55	1.61	1.68	1.73	1.77	1.79	1.80	1.72										
			sones	18.5	17.9	17.1	16.6	16.1	15.7	15.1	13.4										
665	cfm	10822	10508	10193	9808	9411	8968	8495	7271												
	Bhp	1.77	1.85	1.92	1.97	2.02	2.05	2.07	2.04												
	sones	20	19.7	18.6	18.0	17.5	17.1	16.7	15.1												
XSEB-300-30	3	715	cfm	11635	11344	11052	10713	10356	9963	9551	8572	7241									
			Bhp	2.21	2.28	2.36	2.42	2.48	2.52	2.55	2.57	2.47									
			sones	22	22	21	19.9	19.3	18.9	18.5	17.8	15.8									
		765	cfm	12449	12176	11904	11607	11273	10939	10554	9743	8756	7352								
			Bhp	2.70	2.78	2.86	2.94	3.00	3.06	3.09	3.15	3.14	2.98								
			sones	24	24	23	22	22	21	21	20	18.7	17.0								

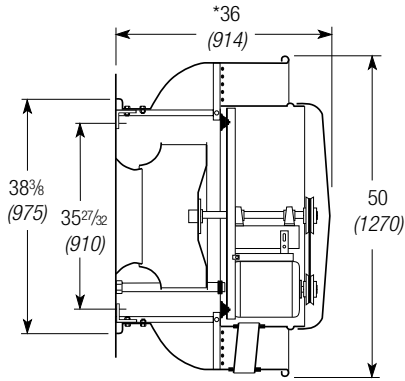
MAXIMUM Bhp AT A GIVEN RPM = (RPM/522)³
 MAXIMUM RPM = 765
 TIP SPEED (ft/min) = RPM x 7.983
 MAXIMUM MOTOR FRAME SIZE = 213T
 AVERAGE DISCHARGE VELOCITY (FPM) = cfm/5.50

Performance certified is for installation type A: Free inlet, Free outlet. Power rating (Bhp) does not include transmission losses. Performance ratings do not include the effects of appurtenances (accessories). The sound ratings shown are loudness values in fan sones at 5 ft. (1.5 m) in a hemispherical free field calculated per AMCA Standard 301. Values shown are for installation type A: Free inlet hemispherical sone levels.

Roof Upblast and Sidewall Exhaust Fans

Performance and Dimensional Data

XSEB 300HP - Belt Drive

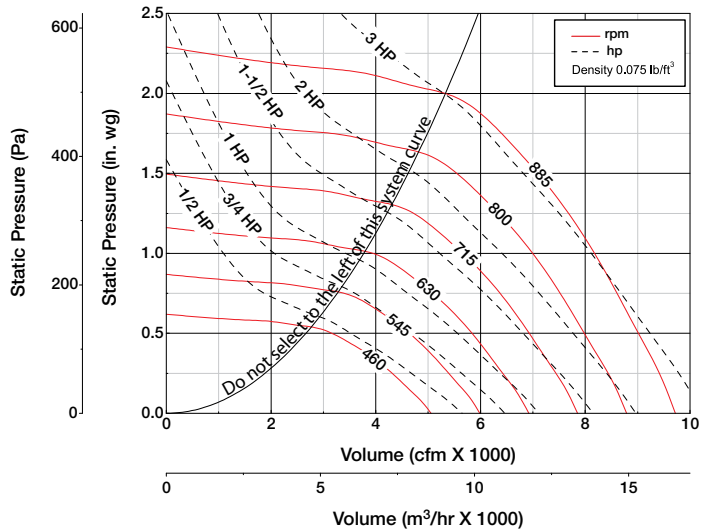


Damper Size = 25 x 25 (635 x 635)
 Damper Frame Size = 27 x 27 (686 x 686)
 Wall Opening = 25½ x 25½ (648 x 648)
 Windband Thickness = 0.064 (1.6)
 Motor Cover Thickness = 0.051 (1.3)
 ^Approximate Unit Weight = 313 lbs. (142 kg)

All dimensions in inches (millimeters).

*May be greater depending on motor.

^Weight shown is largest cataloged Open Drip Proof motor.



Model Number	HP (Size)	Fan RPM		cfm / Static Pressure (in. wg)																	
				0.5	0.625	0.75	0.875	1	1.125	1.25	1.5	1.625	1.75								
XSEB-300HP-5	1/2	460	cfm	3125																	
			Bhp	0.44																	
			sones	7.3																	
		485	cfm	3639																	
			Bhp	0.52																	
			sones	7.9																	
XSEB-300HP-7	3/4	555	cfm	4788	4288	3651															
			Bhp	0.77	0.78	0.76															
			sones	10.4	9.8	9.9															
		583	cfm	5180	4751	4233															
			Bhp	0.88	0.90	0.90															
			sones	11.3	10.8	10.2															
XSEB-300HP-10	1	610	cfm	5549	5187	4731	4165														
			Bhp	1.00	1.02	1.03	1.02														
			sones	12.4	11.9	11.3	10.9														
		655	cfm	6154	5835	5470	5046	4513													
			Bhp	1.22	1.25	1.27	1.28	1.26													
			sones	14.3	13.8	13.3	12.7	12.2													
XSEB-300HP-15	1½	700	cfm	6741	6448	6149	5787	5390	4896												
			Bhp	1.47	1.50	1.53	1.55	1.57	1.55												
			sones	16.0	15.6	15.2	14.7	14.0	13.5												
		770	cfm	7613	7377	7107	6835	6535	6175	5814	4684										
			Bhp	1.91	1.96	2.00	2.03	2.06	2.07	2.09	1.99										
			sones	18.6	18.3	18.1	17.8	17.4	16.7	16.2	16.0										
XSEB-300HP-20	2	809	cfm	8092	7867	7628	7369	7110	6808	6465	5668	5206									
			Bhp	2.19	2.25	2.29	2.33	2.37	2.39	2.41	2.39	2.35									
			sones	20	19.9	19.7	19.6	19.2	18.8	18.1	17.5	17.5									
		848	cfm	8567	8352	8138	7895	7648	7401	7100	6445	6023	5582								
			Bhp	2.50	2.56	2.61	2.66	2.70	2.74	2.76	2.79	2.76	2.72								
			sones	22	21	21	21	21	21	20	19.1	19.1	19.1								
885	cfm	9014	8808	8603	8387	8150	7914	7678	7062	6748	6353										
	Bhp	2.83	2.88	2.94	2.99	3.03	3.08	3.12	3.15	3.17	3.14										
	sones	23	23	23	23	23	23	23	22	21	21										

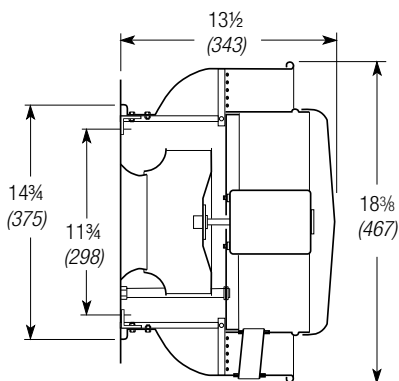
MAXIMUM Bhp AT A GIVEN RPM = (RPM/602)³
 MAXIMUM RPM = 885
 TIP SPEED (ft/min) = RPM x 7.983
 MAXIMUM MOTOR FRAME SIZE = 213T
 AVERAGE DISCHARGE VELOCITY (FPM) = cfm/5.50

Performance certified is for installation type A: Free inlet, Free outlet. Power rating (Bhp) does not include transmission losses. Performance ratings do not include the effects of appurtenances (accessories). The sound ratings shown are loudness values in fan sones at 5 ft. (1.5 m) in a hemispherical free field calculated per AMCA Standard 301. Values shown are for installation type A: Free inlet hemispherical sone levels.

Roof Upblast and Sidewall Exhaust Fans

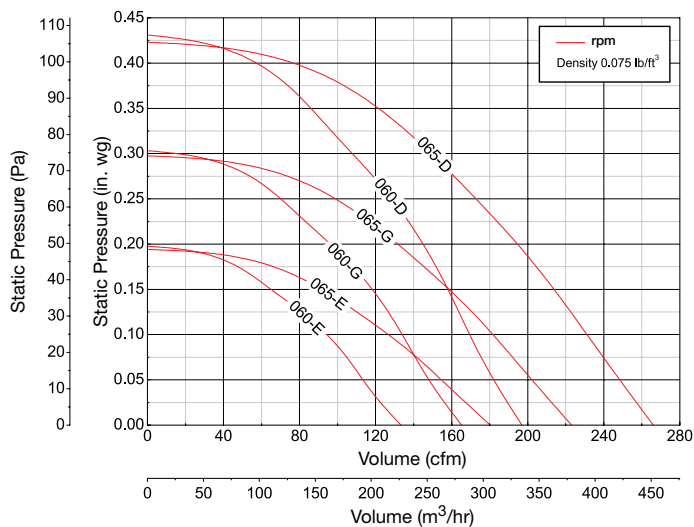
Performance and Dimensional Data

XSED-060 and 065 - Direct Drive



Damper Size = 8 x 8 (203 x 203)
 Damper Frame Size = 10 x 10 (254 x 254)
 Wall Opening = 8 1/2 x 8 1/2 (216 x 216)
 ^Approximate Unit Weight = 26 lbs. (12 kg)

All dimensions in inches (millimeters).
 ^Weight shown is largest cataloged Open Drip Proof motor.



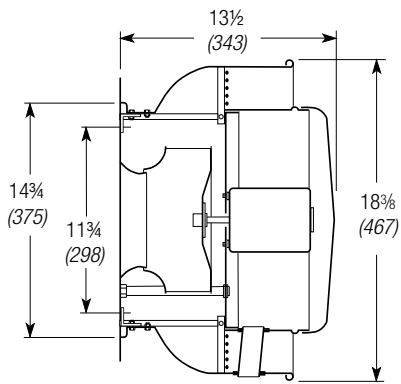
Model Number	HP (Size)	Fan RPM		cfm / Static Pressure (in. wg)										
				0	0.05	0.1	0.125	0.15	0.2	0.25	0.3	0.35	0.375	
XSED-060-E	1/200	1050	cfm	133	113	94	81	65						
			Bhp	0.01	0.01	0.01	0.01	0.01						
			sones	1.7	1.7	1.7	1.7	1.7						
XSED-060-G	1/100	1300	cfm	165	148	134	126	117	96	70				
			Bhp	0.01	0.01	0.01	0.01	0.01	0.01	0.01				
			sones	2.8	2.6	2.5	2.5	2.5	2.5	2.5				
XSED-060-D	1/60	1550	cfm	197	183	169	164	158	143	128	107	85		
			Bhp	0.02	0.02	0.02	0.02	0.02	0.02	0.02	0.02	0.02	0.02	
			sones	4.2	3.9	3.9	3.9	3.9	4.0	4.0	4.0	4.0		
XSED-065-E	1/100	1050	cfm	180	154	126	109	89						
			Bhp	0.01	0.01	0.01	0.01	0.01						
			sones	2.2	2.0	1.9	2.0	2.2						
XSED-065-G	1/60	1300	cfm	223	202	181	170	158	129	97				
			Bhp	0.02	0.02	0.02	0.02	0.02	0.02	0.02				
			sones	3.2	3.2	3.1	3.1	3.0	3.0	2.9				
XSED-065-D	1/30	1550	cfm	266	249	231	222	214	194	172	145	119	95	
			Bhp	0.03	0.03	0.03	0.03	0.03	0.03	0.03	0.03	0.03	0.03	0.03
			sones	4.7	4.2	4.2	4.2	4.2	4.1	4.1	4.0	4.0	3.9	

Performance certified is for installation type A: Free inlet, Free outlet. Performance ratings do not include the effects of appurtenances (accessories). The sound ratings shown are loudness values in fan sones at 5 ft. (1.5 m) in a hemispherical free field calculated per AMCA Standard 301. Values shown are for installation type A: Free inlet hemispherical sone levels.

Roof Upblast and Sidewall Exhaust Fans

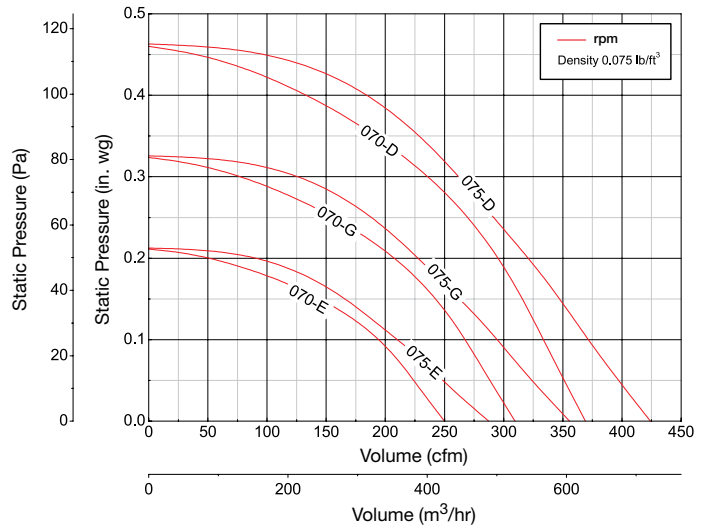
Performance and Dimensional Data

XSED-070 and 075 - Direct Drive



Damper Size = 8 x 8 (203 x 203)
 Damper Frame Size = 10 x 10 (254 x 254)
 Wall Opening = 8 1/2 x 8 1/2 (216 x 216)
 ^Approximate Unit Weight = 26 lbs. (12 kg)

All dimensions in inches (millimeters).
 ^Weight shown is largest cataloged Open Drip Proof motor.



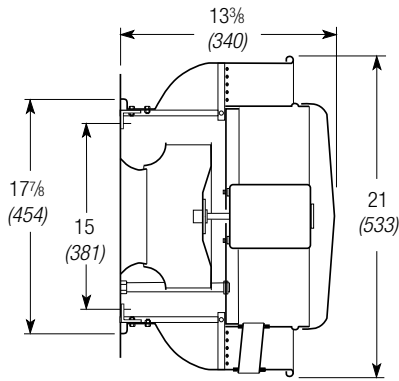
Model Number	HP (Size)	Fan RPM		cfm / Static Pressure (in. wg)										
				0	0.05	0.1	0.125	0.15	0.2	0.25	0.3	0.35	0.375	
XSED-070-E	1/100	1050	cfm	250	224	193	171	143						
			Bhp	0.01	0.01	0.01	0.01	0.01						
			sones	2.6	2.1	1.6	1.4	1.2						
XSED-070-G	1/60	1300	cfm	309	288	267	255	241	205	152				
			Bhp	0.01	0.01	0.02	0.02	0.02	0.02	0.01				
			sones	4.0	3.7	3.4	3.3	3.1	2.8	2.4				
XSED-070-D	1/30	1550	cfm	369	351	333	325	316	293	269	234	187	160	
			Bhp	0.02	0.02	0.03	0.03	0.03	0.03	0.03	0.03	0.02	0.02	
			sones	5.5	5.4	5.2	5.1	5.1	4.9	4.7	4.4	4.1	3.9	
XSED-075-E	1/80	1050	cfm	287	249	210	188	165						
			Bhp	0.01	0.01	0.01	0.01	0.01						
			sones	3.4	3	2.8	2.7	2.6						
XSED-075-G	1/50	1300	cfm	356	324	294	279	262	227	185				
			Bhp	0.02	0.02	0.02	0.02	0.02	0.02	0.02				
			sones	4.0	3.8	3.7	3.7	3.7	3.6	3.4				
XSED-075-D	1/25	1550	cfm	424	398	372	359	347	320	291	261	225	204	
			Bhp	0.04	0.04	0.04	0.04	0.04	0.04	0.04	0.04	0.04	0.04	
			sones	6.0	5.7	5.4	5.3	5.1	5.0	4.9	4.8	4.8	4.8	

Performance certified is for installation type A: Free inlet, Free outlet. Performance ratings do not include the effects of appurtenances (accessories). The sound ratings shown are loudness values in fan sones at 5 ft. (1.5 m) in a hemispherical free field calculated per AMCA Standard 301. Values shown are for installation type A: Free inlet hemispherical sone levels.

Roof Upblast and Sidewall Exhaust Fans

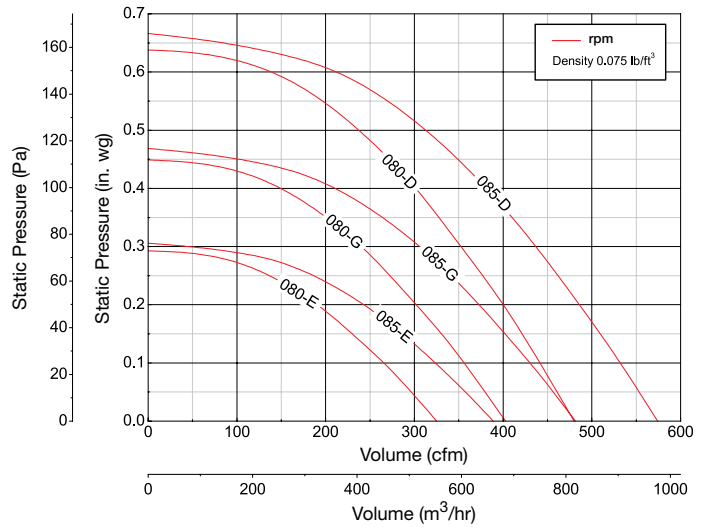
Performance and Dimensional Data

XSED-080 and 085 - Direct Drive



Damper Size = 10 x 10 (254 x 254)
 Damper Frame Size = 12 x 12 (305 x 305)
 Wall Opening = 10½ x 10½ (267 x 267)
 ^Approximate Unit Weight = 40 lbs. (18 kg)

All dimensions in inches (millimeters).
 ^Weight shown is largest cataloged Open Drip Proof motor.



Model Number	HP (Size)	Fan RPM		cfm / Static Pressure (in. wg)										
				0	0.1	0.125	0.15	0.2	0.25	0.3	0.375	0.5	0.625	
XSED-080-E	1/40	1050	cfm	325	265	247	230	189	133					
			Bhp	0.01	0.01	0.02	0.02	0.02	0.02					
			sones	3.8	3.7	3.6	3.7	3.9	4.2					
XSED-080-G	1/30	1300	cfm	403	356	343	330	302	272	239	173			
			Bhp	0.02	0.03	0.03	0.03	0.03	0.03	0.03	0.03			
			sones	5.4	5.4	5.4	5.4	5.4	5.5	5.6	5.9			
XSED-080-D	1/20	1550	cfm	480	441	431	421	400	376	352	314	235		
			Bhp	0.04	0.04	0.04	0.04	0.05	0.05	0.05	0.05	0.05		
			sones	7.3	7.3	7.3	7.3	7.3	7.2	7.3	7.3	7.6		
XSED-085-E	1/40	1050	cfm	389	323	305	286	242	182					
			Bhp	0.01	0.02	0.02	0.02	0.02	0.02					
			sones	4.0	3.9	3.9	3.9	4.1	4.3					
XSED-085-G	1/30	1300	cfm	481	430	416	402	373	340	305	235			
			Bhp	0.02	0.03	0.03	0.03	0.03	0.03	0.04	0.04			
			sones	5.4	5.3	5.3	5.3	5.3	5.3	5.4	5.5			
XSED-085-D	1/20	1550	cfm	574	532	520	509	486	461	437	395	312	161	
			Bhp	0.04	0.04	0.05	0.05	0.05	0.05	0.06	0.06	0.06	0.05	
			sones	7.5	7.4	7.4	7.4	7.4	7.4	7.4	7.4	7.4	7.6	8.1

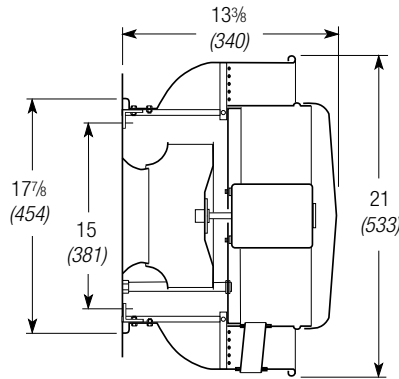
Performance certified is for installation type A: Free inlet, Free outlet. Performance ratings do not include the effects of appurtenances (accessories). The sound ratings shown are loudness values in fan sones at 5 ft. (1.5 m) in a hemispherical free field calculated per AMCA Standard 301. Values shown are for installation type A: Free inlet hemispherical sone levels.

Roof Upblast and Sidewall Exhaust Fans

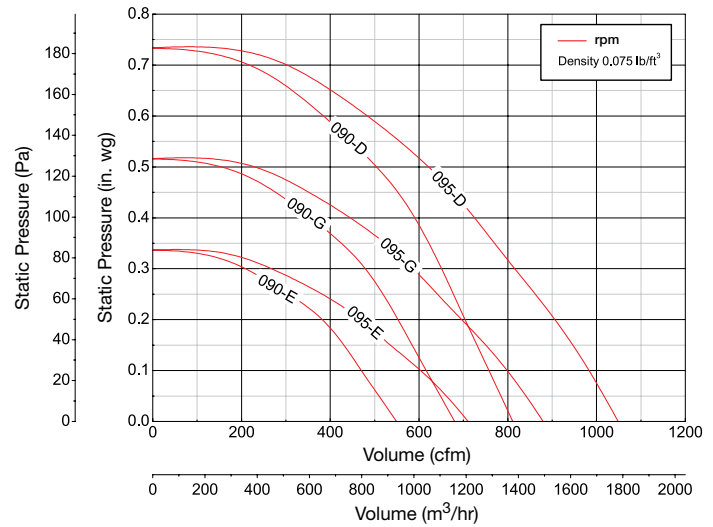
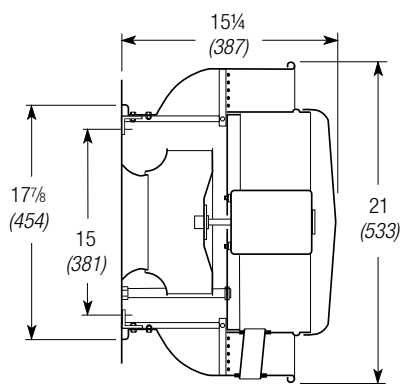
Performance and Dimensional Data

XSED-090 and 095 - Direct Drive

Model XSED-090



Model XSED-095



Damper Size = 10 x 10 (254 x 254)

Damper Frame Size = 12 x 12 (305 x 305)

Wall Opening = 10½ x 10½ (267 x 267)

^Approximate Unit Weight = 40 lbs. (181 kg)

All dimensions in inches (millimeters).

^Weight shown is largest cataloged Open Drip Proof motor.

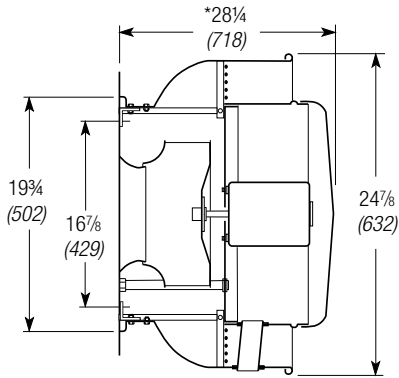
Model Number	HP (Size)	Fan RPM		cfm / Static Pressure (in. wg)										
				0	0.1	0.125	0.15	0.2	0.25	0.3	0.375	0.5	0.625	
XSED-090-E	1/40	1050	cfm	549	470	451	429	381	306	204				
			Bhp	0.02	0.02	0.02	0.03	0.03	0.03	0.03				
			sones	4.1	3.9	3.9	3.9	4.0	4.2	4.5				
XSED-090-G	1/25	1300	cfm	680	616	600	584	553	517	479	391			
			Bhp	0.04	0.04	0.04	0.04	0.05	0.05	0.05	0.05			
			sones	5.5	5.4	5.4	5.4	5.4	5.4	5.5	5.6			
XSED-090-D	1/15	1550	cfm	811	757	744	731	704	677	651	604	501	347	
			Bhp	0.06	0.07	0.07	0.07	0.07	0.08	0.08	0.08	0.08	0.09	0.08
			sones	7.8	7.6	7.6	7.5	7.5	7.5	7.5	7.4	7.4	7.4	7.8
XSED-095-E	1/30	1050	cfm	711	603	570	536	468	381	265				
			Bhp	0.03	0.04	0.04	0.04	0.04	0.04	0.03				
			sones	5.3	4.5	4.5	4.5	4.4	4.5	4.6				
XSED-095-G	1/12	1300	cfm	880	797	774	750	696	641	587	484	199		
			Bhp	0.06	0.07	0.07	0.07	0.07	0.07	0.07	0.07	0.07	0.05	
			sones	7.5	6.8	6.7	6.6	6.5	6.4	6.4	6.4	6.4	6.8	
XSED-095-D	1/8	1550	cfm	1049	983	964	944	905	861	816	747	616	442	
			Bhp	0.10	0.11	0.11	0.11	0.11	0.12	0.12	0.12	0.12	0.12	0.11
			sones	9.6	9.3	9.3	9.2	8.8	8.5	8.4	8.3	8.3	8.1	7.8

Performance certified is for installation type A: Free inlet, Free outlet. Performance ratings do not include the effects of appurtenances (accessories). The sound ratings shown are loudness values in fan sones at 5 ft. (1.5 m) in a hemispherical free field calculated per AMCA Standard 301. Values shown are for installation type A: Free inlet hemispherical sone levels.

Roof Upblast and Sidewall Exhaust Fans

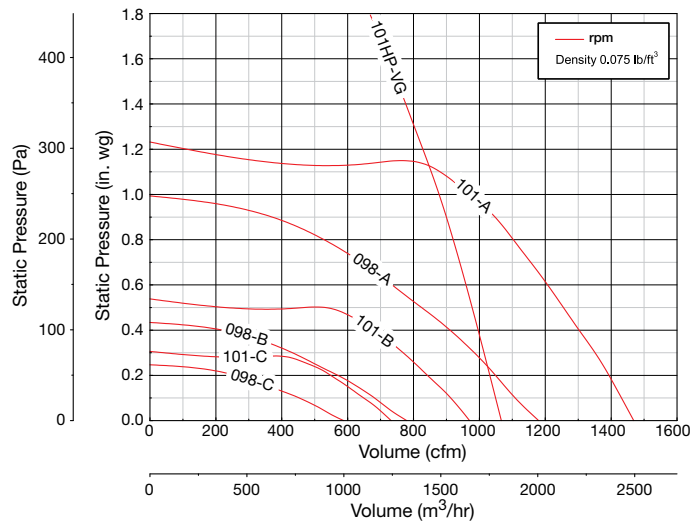
Performance and Dimensional Data

XSED-098, 101 and 101HP - Direct Drive



Damper Size = 12 x 12 (305 x 305)
 Damper Frame Size = 14 x 14 (356 x 356)
 Wall Opening = 12½ x 12½ (318 x 318)
 ^Approximate Unit Weight = 53 lbs. (24 kg)

All dimensions in inches (millimeters).
 *May be greater depending on motor.
 ^Weight shown is largest cataloged Open Drip Proof motor.



Model Number	HP (Size)	Fan RPM		cfm / Static Pressure (in. wg)												
				0	0.1	0.125	0.25	0.3	0.375	0.5	0.625	0.75	1			
XSED-098-C	1/8	860	cfm	588	453	409										
			Bhp	0.02	0.02	0.02										
			sones	8.4	8.5	8.7										
XSED-098-B	1/6	1140	cfm	780	682	656	502	431	294							
			Bhp	0.05	0.05	0.06	0.06	0.06	0.06							
			sones	9.1	8.7	8.7	8.3	8.1	7.9							
XSED-098-A	1/4	1725	cfm	1180	1109	1094	1017	984	929	824	712	586				
			Bhp	0.18	0.18	0.18	0.18	0.19	0.20	0.20	0.20	0.20				
			sones	13.8	13.5	13.4	13	12.9	12.7	12.2	12.1	12.3				
XSED-101-C	1/8	860	cfm	732	649	625	481									
			Bhp	0.03	0.03	0.04	0.04									
			sones	4.6	8.5	11.7	11.1									
XSED-101-B	1/6	1140	cfm	970	913	897	806	768	707							
			Bhp	0.07	0.08	0.08	0.08	0.09	0.09							
			sones	7.2	7.0	7.0	6.5	6.2	6.0							
XSED-101-A	1/4	1725	cfm	1468	1431	1422	1373	1350	1315	1255	1195	1129	970			
			Bhp	0.24	0.25	0.26	0.27	0.27	0.28	0.29	0.29	0.29	0.29	0.29		
			sones	13.3	12.9	12.9	12.5	12.3	12.0	11.7	11.3	10.8	9.7			
XSED-101HP-VG	1/2	2500	cfm	1067	1049	1045	1023	1014	1000	977	954	929	878			
			Bhp	0.44	0.44	0.44	0.44	0.44	0.44	0.44	0.44	0.44	0.45	0.48		
			sones	18.0	17.5	17.4	16.9	16.7	16.4	15.9	15.6	15.3	15.0			

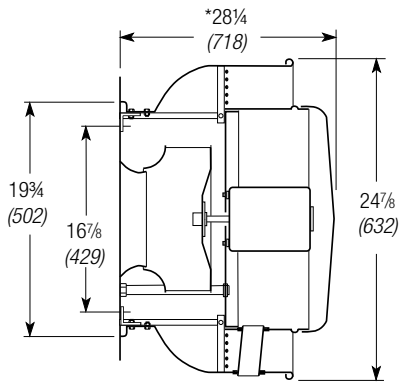
► VG denotes a direct drive brushless DC motor.

Performance certified is for installation type A: Free inlet, Free outlet. Performance ratings do not include the effects of appurtenances (accessories). The sound ratings shown are loudness values in fan sones at 5 ft. (1.5 m) in a hemispherical free field calculated per AMCA Standard 301. Values shown are for installation type A: Free inlet hemispherical sone levels.

Roof Upblast and Sidewall Exhaust Fans

Performance and Dimensional Data

XSED-121 and 131 - Direct Drive

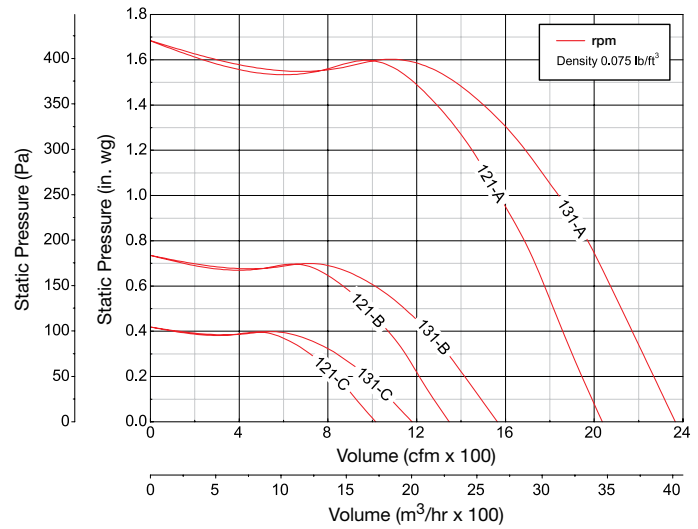


Damper Size = 12 x 12 (305 x 305)
 Damper Frame Size = 14 x 14 (356 x 356)
 Wall Opening = 12½ x 12½ (318 x 318)
 ^Approximate Unit Weight = 53 lbs. (24 kg)

All dimensions in inches (millimeters).

*May be greater depending on motor.

^Weight shown is largest cataloged Open Drip Proof motor.



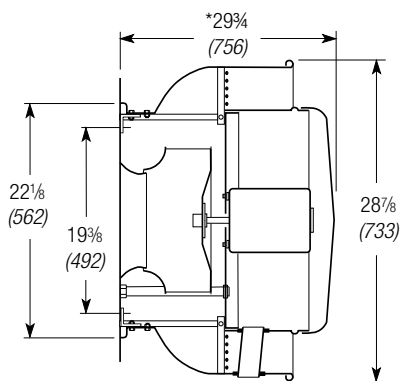
Model Number	HP (Size)	Fan RPM		cfm / Static Pressure (in. wg)										
				0	0.125	0.25	0.375	0.5	0.625	0.75	1	1.25	1.5	
XSED-121-C	1/8	860	cfm	1015	905	781	581							
			Bhp	0.05	0.05	0.06	0.06							
			sones	5.3	5.7	5.6	5.7							
XSED-121-B	1/6	1140	cfm	1346	1261	1180	1091	981	833					
			Bhp	0.11	0.12	0.13	0.13	0.14	0.14					
			sones	7.4	7.9	8.2	8.2	8.0	8.1					
XSED-121-A	1/2	1725	cfm	2037	1979	1923	1869	1816	1763	1710	1571	1406	1176	
			Bhp	0.39	0.40	0.41	0.43	0.44	0.45	0.46	0.47	0.48	0.46	
			sones	15.6	16.1	16.7	17.3	17.9	18.2	18.4	18.7	18.6	18.4	
XSED-131-C	1/8	860	cfm	1180	1057	914	675							
			Bhp	0.06	0.07	0.07	0.07							
			sones	8.5	8.3	7.7	6.9							
XSED-131-B	1/6	1140	cfm	1564	1471	1379	1280	1144	964					
			Bhp	0.14	0.15	0.16	0.17	0.17	0.17					
			sones	12.5	12.2	11.8	11.2	10.3	9.7					
XSED-131-A	3/4	1725	cfm	2366	2305	2244	2183	2122	2061	1994	1838	1646	1365	
			Bhp	0.50	0.51	0.53	0.54	0.56	0.57	0.58	0.60	0.60	0.57	
			sones	18.8	18.6	18.4	18.2	18.0	17.6	17.2	16.4	15.3	14.1	

Performance certified is for installation type A: Free inlet, Free outlet. Performance ratings do not include the effects of appurtenances (accessories). The sound ratings shown are loudness values in fan sones at 5 ft. (1.5 m) in a hemispherical free field calculated per AMCA Standard 301. Values shown are for installation type A: Free inlet hemispherical sone levels.

Roof Upblast and Sidewall Exhaust Fans

Performance and Dimensional Data

XSED-141, 141HP, 161 and 161HP - Direct Drive

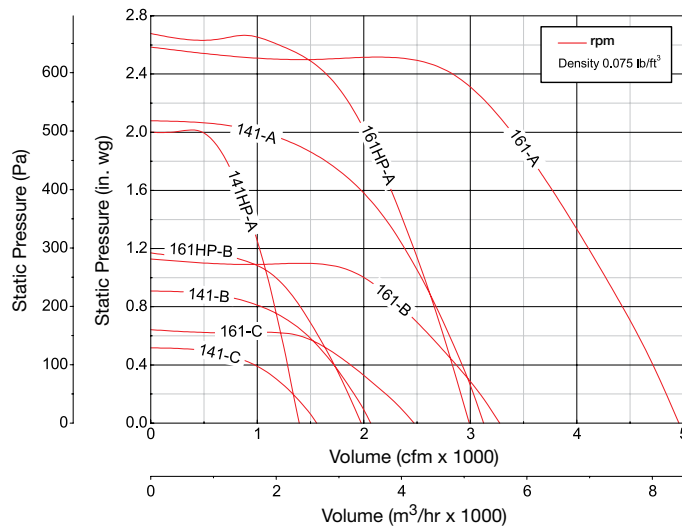


Damper Size = 15 x 15 (381 x 381)
 Damper Frame Size = 17 x 17 (432 x 432)
 Wall Opening = 15 1/2 x 15 1/2 (394 x 394)
 ^Approximate Unit Weight = 90 lbs. (41 kg)

All dimensions in inches (millimeters).

*May be greater depending on motor.

^Weight shown is largest cataloged Open Drip Proof motor.



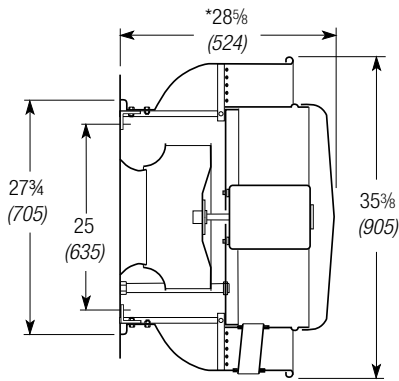
Model Number	HP (Size)	Fan RPM		cfm / Static Pressure (in. wg)												
				0	0.25	0.5	0.75	1	1.25	1.5	1.75	2	2.25			
XSED-141-C	1/8	860	cfm	1558	1264											
			Bhp	0.11	0.12											
			sones	7.3	7.1											
XSED-141-B	1/4	1140	cfm	2065	1864	1605	1167									
			Bhp	0.25	0.27	0.29	0.27									
			sones	11.3	11.0	10.3	10.0									
XSED-141-A	1	1725	cfm	3125	3005	2865	2711	2539	2339	2085	1704					
			Bhp	0.87	0.90	0.94	0.97	0.99	1.00	0.98	0.91					
			sones	26	22	24	15.1	13.4	14.3	13.8	13.8					
XSED-141HP-A	1/2	1725	cfm	1394	1324	1256	1178	1098	999	879	747					
			Bhp	0.34	0.36	0.38	0.40	0.42	0.43	0.43	0.42					
			sones	16.6	16.3	16.1	15.4	15.0	14.9	14.7	15.7					
XSED-161-C	1/4	860	cfm	2472	2126	1680										
			Bhp	0.22	0.25	0.24										
			sones	10.7	9.9	9.5										
XSED-161-B	1/2	1140	cfm	3277	3035	2745	2421	1983								
			Bhp	0.51	0.57	0.58	0.57	0.55								
			sones	15.7	14.8	14.1	13.5	13.2								
XSED-161-A	2	1725	cfm	4959	4806	4646	4463	4269	4070	3855	3631	3381	3057			
			Bhp	1.77	1.88	1.97	1.98	2.00	2.01	1.99	1.97	1.96	1.92			
			sones	30	29	28	27	27	27	26	26	25	25			
XSED-161HP-B	1/3	1140	cfm	1976	1822	1645	1444	1175								
			Bhp	0.26	0.28	0.31	0.32	0.32								
			sones	13.5	12.8	12.5	11.9	11.1								
XSED-161HP-A	1 1/2	1725	cfm	2990	2888	2787	2680	2560	2439	2310	2167	2003	1810			
			Bhp	0.89	0.93	0.97	1.01	1.04	1.07	1.10	1.11	1.12	1.11			
			sones	24	23	22	22	21	20	20	19.6	18.3	16.6			

Performance certified is for installation type A: Free inlet, Free outlet. Performance ratings do not include the effects of appurtenances (accessories). The sound ratings shown are loudness values in fan sones at 5 ft. (1.5 m) in a hemispherical free field calculated per AMCA Standard 301. Values shown are for installation type A: Free inlet hemispherical sone levels.

Roof Upblast and Sidewall Exhaust Fans

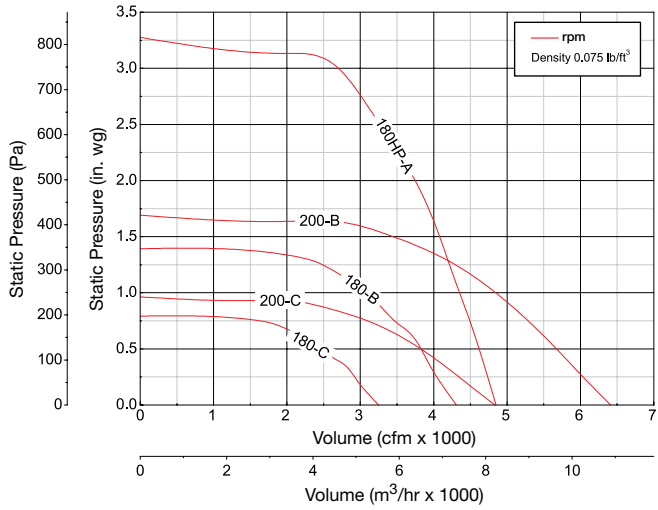
Performance and Dimensional Data

XSED-180, 180HP and 200 - Direct Drive



Damper Size = 17 x 17 (432 x 432)
 Damper Frame Size = 19 x 19 (483 x 483)
 Wall Opening = 17½ x 17½ (445 x 445)
 ^Approximate Unit Weight = 142 lbs. (64 kg)

All dimensions in inches (millimeters).
 *May be greater depending on motor.
 ^Weight shown is largest cataloged Open Drip Proof motor.



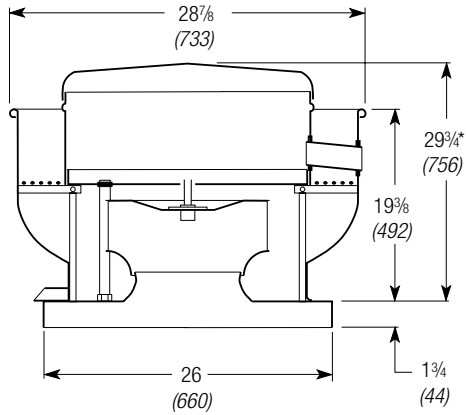
Model Number	HP (Size)	Fan RPM		cfm / Static Pressure (in. wg)											
				0	0.25	0.5	0.75	1	1.25	1.5	2	2.5	3		
XSED-180-C	1/2	860	cfm	3249	2922	2474									
			Bhp	0.34	0.39	0.40									
			sones	12.3	11.1	10.2									
XSED-180-B	1	1140	cfm	4307	4045	3822	3470	3072	2477						
			Bhp	0.80	0.86	0.91	0.93	0.92	0.85						
			sones	17.6	16.5	16.1	15.4	14.6	13.6						
XSED-180HP-A	2	1725	cfm	4850	4732	4613	4493	4353	4215	4078	3740	3265	2695		
			Bhp	1.77	1.84	1.92	1.99	2.06	2.12	2.18	2.23	2.25	2.16		
			sones	30	29	28	27	26	26	25	24	23	21		
XSED-200-C	3/4	860	cfm	4837	4346	3815	3084								
			Bhp	0.71	0.74	0.75	0.73								
			sones	15.7	14.6	12.9	11.9								
XSED-200-B	2	1140	cfm	6412	6036	5674	5283	4837	4276	3445					
			Bhp	1.65	1.70	1.74	1.74	1.74	1.73	1.63					
			sones	24	23	22	21	20	19.2	19.9					

Performance certified is for installation type A: Free inlet, Free outlet. Performance ratings do not include the effects of appurtenances (accessories). The sound ratings shown are loudness values in fan sones at 5 ft. (1.5 m) in a hemispherical free field calculated per AMCA Standard 301. Values shown are for installation type A: Free inlet hemispherical sone levels.

Roof Upblast and Sidewall Exhaust Fans

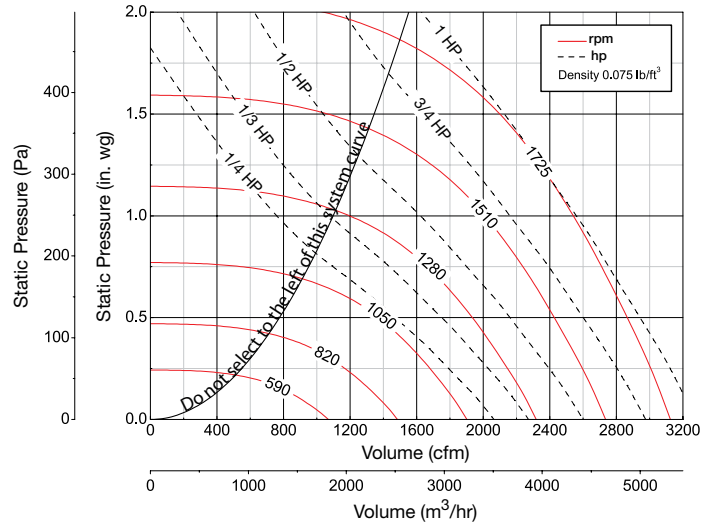
Performance and Dimensional Data

XRUBS-140 - Belt Drive



Damper Size = 16 x 16 (406.4 x 406.4)
 Roof Opening = 18 1/2 x 18 1/2 (469.9 x 469.9)
 Windband Thickness = 0.051 (1.3)
 Motor Cover Thickness = 0.040 (1.02)
 Curb Cap Metal Thickness = 0.051 (1.3)
 ^Approximate Unit Weight = 125 lbs. (56.7 kg)

All dimensions in inches (millimeters).
 *May be greater depending on motor.
 ^Weight shown is largest cataloged Open Drip Proof motor.



Model Number	HP	RPM	Static Pressure (in. wg)																					
			0		0.125		0.25		0.375		0.5		0.75		1.00		1.25		1.50		1.75			
			sones	Bhp	sones	Bhp	sones	Bhp	sones	Bhp	sones	Bhp	sones	Bhp	sones	Bhp	sones	Bhp	sones	Bhp	sones	Bhp		
XRUBS-140-4	1/4	590			1069	851																		
			5.0	0.04	4.5	0.04																		
		760			1377	1224	1016																	
			6.4	0.07	6.5	0.08	5.7	0.09																
XRUBS-140-3	1/3	935			1694	1577	1434	1255	973															
			8.2	0.14	8.3	0.15	8.1	0.16	7.7	0.16	7.2	0.15												
		1105			2001	1906	1793	1667	1515	998														
		10.9	0.23	10.8	0.24	10.6	0.25	10.3	0.26	10.0	0.26	9.6	0.23											
XRUBS-140-5	1/2	1210			2192	2106	2006	1896	1773	1443														
			12.2	0.30	12.2	0.31	11.7	0.32	11.6	0.33	11.2	0.34	10.9	0.34										
XRUBS-140-7	3/4	1390			2518	2445	2362	2271	2174	1949	1643													
			14.9	0.45	14.7	0.47	14.2	0.48	13.2	0.50	12.9	0.51	12.1	0.52	11.0	0.51								
		1495			2708	2640	2565	2483	2396	2202	1967	1617												
		17.2	0.56	16.5	0.58	16.3	0.60	15.6	0.61	13.9	0.62	12.5	0.64	12.2	0.65	10.8	0.61							
		1595			2889	2826	2757	2683	2602	2430	2225	1968	1568											
			20	0.69	19.0	0.70	18.5	0.72	19.5	0.74	16.1	0.75	13.3	0.77	12.3	0.79	12.6	0.78	11.6	0.71				
XRUBS-140-10	1	1725			3125	3066	3005	2936	2865	2711	2539	2339	2085	1704										
			26	0.87	23	0.88	22	0.90	24	0.92	24	0.94	15.1	0.97	13.4	0.99	14.3	1.00	13.8	0.98	13.8	0.91		

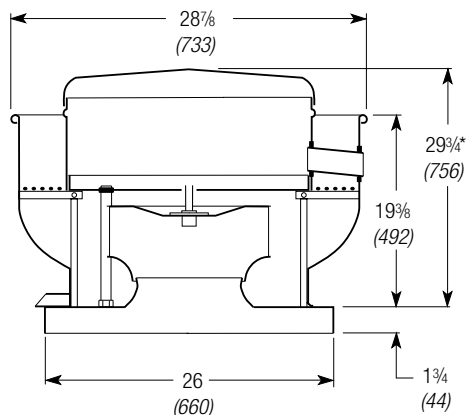
MAXIMUM Bhp AT A GIVEN RPM = (RPM/1726)³
 MAXIMUM RPM = 1725
 TIP SPEED (ft/min) = RPM X 3.829
 MAXIMUM MOTOR FRAME SIZE = 145T
 AVERAGE DISCHARGE VELOCITY (FPM) = cfm/1.72

Performance certified is for installation type A: Free inlet, Free outlet. Power rating (Bhp) does not include transmission losses. Performance ratings do not include the effects of appurtenances (accessories). The sound ratings shown are loudness values in fan sones at 5 ft. (1.5 m) in a hemispherical free field calculated per AMCA Standard 301. Values shown are for installation type A: Free inlet hemispherical sone levels.

Roof Upblast and Sidewall Exhaust Fans

Performance and Dimensional Data

XRUBS-140HP - Belt Drive

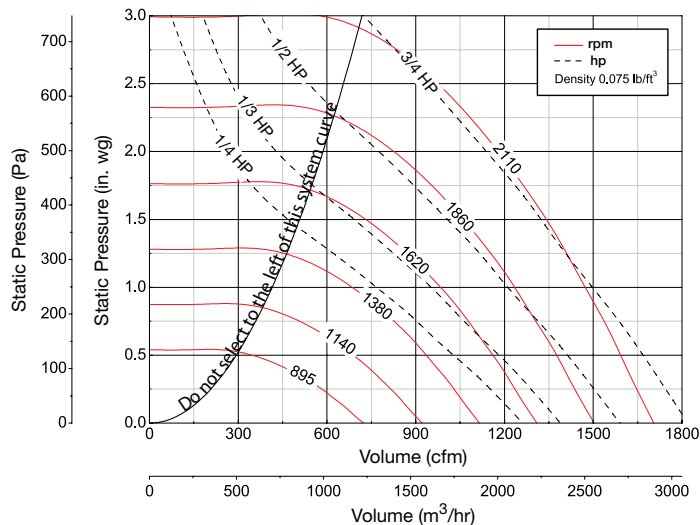


Damper Size = 16 x 16 (406.4 x 406.4)
 Roof Opening = 18 1/2 x 18 1/2 (469.9 x 469.9)
 Windband Thickness = 0.051 (1.3)
 Motor Cover Thickness = 0.040 (1.02)
 Curb Cap Metal Thickness = 0.051 (1.3)
 ^Approximate Unit Weight = 125 lbs. (56.7 kg)

All dimensions in inches (millimeters).

*May be greater depending on motor.

^Weight shown is largest cataloged Open Drip Proof motor.



Model Number	HP	RPM	Static Pressure (in. wg)																					
			0.50		0.75		1.00		1.25		1.50		1.75		2.00		2.25		2.50		2.75			
			sones	Bhp	sones	Bhp	sones	Bhp	sones	Bhp	sones	Bhp	sones	Bhp	sones	Bhp	sones	Bhp	sones	Bhp	sones	Bhp		
XRUBS-140HP-4	1/4	895	6.1	0.06																				
		1010	6.4	0.09																				
		1125	6.71	0.12	4.78	0.12																		
		1240	7.97	0.16	6.51	0.16																		
		1350	9.06	0.20	7.90	0.20	6.33	0.20																
		1465	10.16	0.24	9.20	0.26	7.98	0.26	6.42	0.26														
		1605	11.46	0.31	10.63	0.33	9.65	0.34	8.46	0.34	7.04	0.34												
XRUBS-140HP-3	1/3	1605	15.2	0.31	14.4	0.33	14.2	0.34	14.0	0.34	15.2	0.34												
		1725	16.1	0.38	15.4	0.40	15.0	0.42	14.9	0.43	14.7	0.43	15.7	0.42										
		1845	17.0	0.46	16.6	0.48	16.2	0.50	16.0	0.52	15.9	0.52	15.6	0.52	16.1	0.51								
XRUBS-140HP-5	1/2	1725	12.56	0.38	11.78	0.40	10.98	0.42	9.99	0.43	8.79	0.43	7.47	0.42										
		1845	13.63	0.46	12.92	0.48	12.19	0.50	11.37	0.52	10.42	0.52	9.24	0.52	8.00	0.51								
		1960	14.63	0.54	13.99	0.57	13.30	0.59	12.60	0.61	11.76	0.62	10.86	0.63	9.70	0.62	8.54	0.62						
XRUBS-140HP-7	3/4	2090	15.75	0.65	15.18	0.68	14.54	0.71	13.89	0.73	13.20	0.75	12.39	0.76	11.54	0.76	10.45	0.76	9.36	0.75	22	0.70		
		2110	15.92	0.67	15.36	0.70	14.73	0.72	14.09	0.75	13.41	0.77	12.62	0.78	11.78	0.78	10.73	0.78	9.65	0.77	20	0.73		
		1960	18.1	0.54	17.7	0.57	17.4	0.59	17.2	0.61	17.1	0.62	17.0	0.63	16.8	0.62	16.9	0.62						

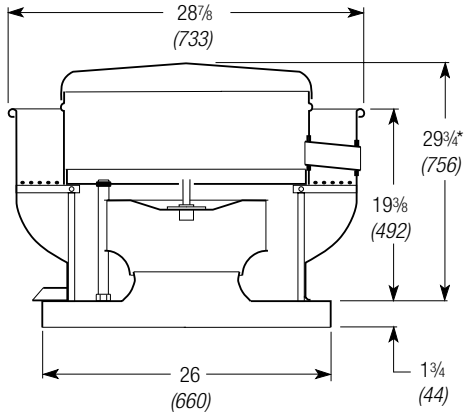
MAXIMUM Bhp AT A GIVEN RPM = (RPM/2285)³
 MAXIMUM RPM = 2110
 TIP SPEED (ft/min) = RPM X 3.829
 MAXIMUM MOTOR FRAME SIZE = 145T
 AVERAGE DISCHARGE VELOCITY (FPM) = cfm/1.72

Performance certified is for installation type A: Free inlet, Free outlet. Power rating (Bhp) does not include transmission losses. Performance ratings do not include the effects of appurtenances (accessories). The sound ratings shown are loudness values in fan sones at 5 ft. (1.5 m) in a hemispherical free field calculated per AMCA Standard 301. Values shown are for installation type A: Free inlet hemispherical sone levels.

Roof Upblast and Sidewall Exhaust Fans

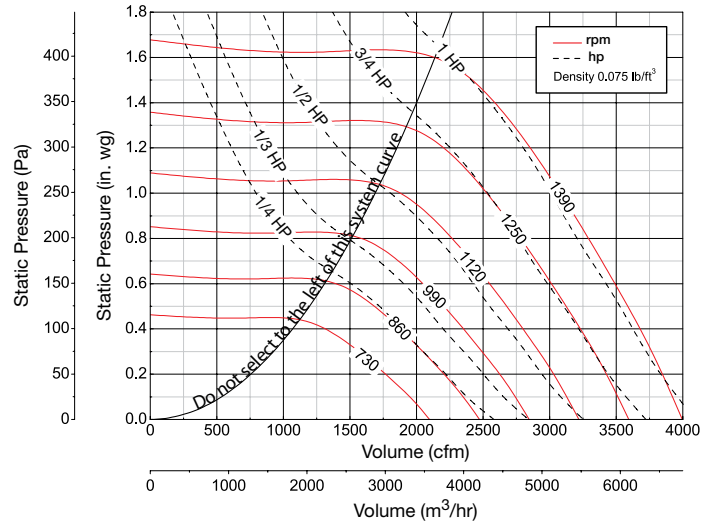
Performance and Dimensional Data

XRUBS-160 - Belt Drive



Damper Size = 16 x 16 (406.4 x 406.4)
 Roof Opening = 18½ x 18½ (469.9 x 469.9)
 Windband Thickness = 0.051 (1.3)
 Motor Cover Thickness = 0.040 (1.02)
 Curb Cap Metal Thickness = 0.051 (1.3)
 ^Approximate Unit Weight = 125 lbs. (56.7 kg)

All dimensions in inches (millimeters).
 *May be greater depending on motor.
 ^Weight shown is largest cataloged Open Drip Proof motor.



MAXIMUM Bhp at A GIVEN RPM = (RPM/1365)³
 MAXIMUM RPM = 1390
 TIP SPEED (ft/min) = RPM X 3.829
 MAXIMUM MOTOR FRAME SIZE = 145T
 AVERAGE DISCHARGE VELOCITY (FPM) = cfm/1.72

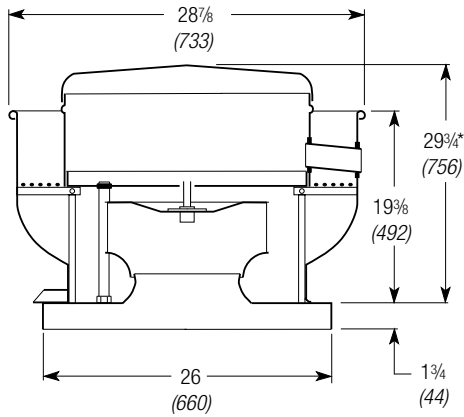
Model Number	HP	RPM	Static Pressure (in. wg)																				
			0		0.125		0.25		0.375		0.50		0.625		0.75		1.00		1.25		1.50		
			sones	Bhp	sones	Bhp	sones	Bhp	sones	Bhp	sones	Bhp	sones	Bhp	sones	Bhp	sones	Bhp	sones	Bhp	sones	Bhp	
XRUBS-160-4	1/4	730	2098	1905	1669	1389																	
		875	8.1	0.13	8.0	0.15	7.8	0.15	7.8	0.15													
XRUBS-160-3	1/3	965	2515	2362	2177	1974	1744	1365															
		1110	11.0	0.23	10.6	0.26	10.1	0.26	9.9	0.26	9.7	0.26	9.7	0.24									
XRUBS-160-5	1/2	1265	2774	2637	2477	2300	2109	1893	1584														
		1390	12.4	0.31	12.0	0.34	11.5	0.35	11.2	0.35	10.8	0.35	10.6	0.34	10.5	0.33							
XRUBS-160-7	3/4	1390	3191	3072	2941	2796	2641	2475	2297	1770													
		1265	15.0	0.47	14.6	0.51	14.2	0.53	13.8	0.53	13.5	0.54	13.1	0.53	12.9	0.52	12.2	0.49					
XRUBS-160-10	1	1390	3636	3532	3426	3301	3172	3036	2894	2583	2163												
		1390	18.5	0.70	18.1	0.74	17.7	0.77	17.2	0.78	16.8	0.79	16.5	0.79	16.3	0.79	15.8	0.78	15.2	0.75			
			3996	3901	3806	3698	3584	3464	3340	3078	2785	2394											
			22	0.93	21	0.97	21	1.01	20	1.03	19.9	1.04	19.6	1.04	19.4	1.05	19.0	1.04	18.6	1.03	18.0	1.00	

Performance certified is for installation type A: Free inlet, Free outlet. Power rating (Bhp) does not include transmission losses. Performance ratings do not include the effects of appurtenances (accessories). The sound ratings shown are loudness values in fan sones at 5 ft. (1.5 m) in a hemispherical free field calculated per AMCA Standard 301. Values shown are for installation type A: Free inlet hemispherical sone levels.

Roof Upblast and Sidewall Exhaust Fans

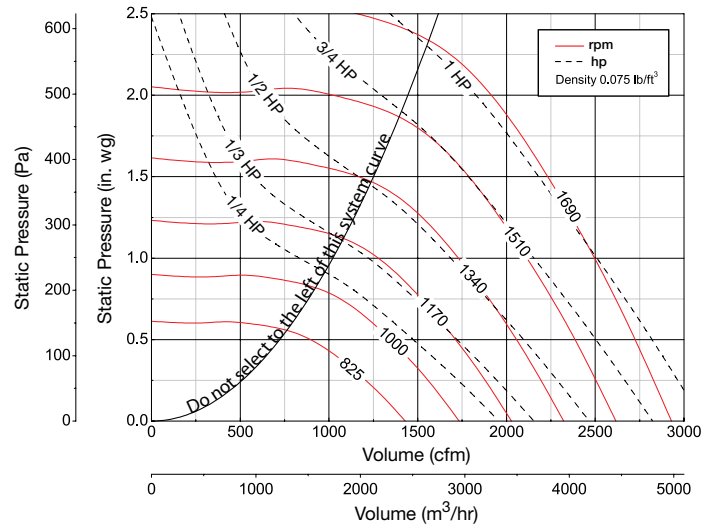
Performance and Dimensional Data

XRUBS-160HP - Belt Drive



Damper Size = 16 x 16 (406.4 x 406.4)
 Roof Opening = 18 1/2 x 18 1/2 (469.9 x 469.9)
 Windband Thickness = 0.051 (1.3)
 Motor Cover Thickness = 0.040 (1.02)
 Curb Cap Metal Thickness = 0.051 (1.3)
 ^Approximate Unit Weight = 125 lbs. (56.7 kg)

All dimensions in inches (millimeters).
 *May be greater depending on motor.
 ^Weight shown is largest cataloged Open Drip Proof motor.



Model Number	HP	RPM	Static Pressure (in. wg)																				
			0.50		0.625		0.75		0.875		1.00		1.25		1.50		1.75		2.00		2.25		
			sones	Bhp	sones	Bhp	sones	Bhp	sones	Bhp	sones	Bhp	sones	Bhp	sones	Bhp	sones	Bhp	sones	Bhp	sones	Bhp	
XRUBS-160HP-4	1/4	825	889																				
			7.0	0.12																			
		1065	1487	1377	1252	1093																	
XRUBS-160HP-3	1/3	1165	11.0	0.25	10.6	0.26	10.2	0.26	9.8	0.26	1252												
			12.8	0.32	12.7	0.33	12.2	0.34	11.7	0.34	11.3	0.34											
			1882	1799	1715	1617	1519	1218															
XRUBS-160HP-5	1/2	1255	13.1	0.40	12.8	0.41	12.5	0.42	12.0	0.43	11.5	0.43	10.6	0.42									
			2053	1975	1897	1816	1724	1513															
			14.4	0.48	13.8	0.49	13.3	0.50	12.8	0.51	12.3	0.52	11.3	0.52									
XRUBS-160HP-7	3/4	1535	2433	2368	2301	2233	2165	2015	1855	1638													
			18.1	0.70	17.7	0.72	17.2	0.73	16.8	0.74	16.4	0.76	15.7	0.78	14.9	0.79	13.5	0.78					
			2573	2516	2452	2387	2322	2190	2037	1863	1651												
XRUBS-160HP-10	1	1610	19.6	0.80	19.2	0.82	18.8	0.83	18.4	0.85	18.1	0.86	17.5	0.89	16.9	0.90	15.8	0.91	14.3	0.90			
			2722	2671	2611	2550	2488	2365	2228	2082	1899	1664											
			21	0.92	21	0.94	21	0.95	20	0.97	20	0.98	19.5	1.01	19.1	1.03	18.6	1.05	16.9	1.05	15.0	1.03	

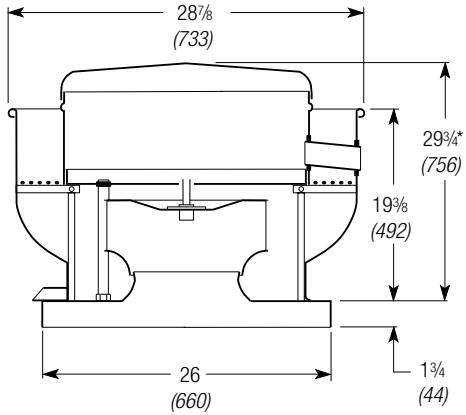
MAXIMUM Bhp AT A GIVEN RPM = (RPM/1660)³
 MAXIMUM RPM = 1690
 TIP SPEED (ft/min) = RPM X 4.352
 MAXIMUM MOTOR FRAME SIZE = 145T
 AVERAGE DISCHARGE VELOCITY (FPM) = cfm/1.72

Performance certified is for installation type A: Free inlet, Free outlet. Power rating (Bhp) does not include transmission losses. Performance ratings do not include the effects of appurtenances (accessories). The sound ratings shown are loudness values in fan sones at 5 ft. (1.5 m) in a hemispherical free field calculated per AMCA Standard 301. Values shown are for installation type A: Free inlet hemispherical sone levels.

Roof Upblast and Sidewall Exhaust Fans

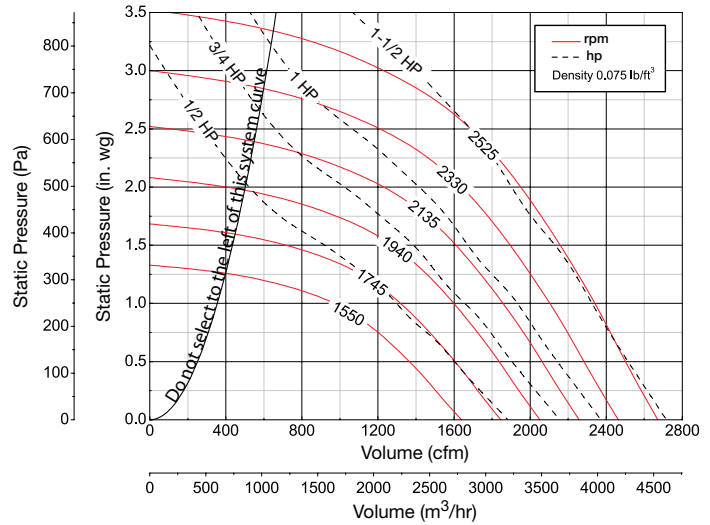
Performance and Dimensional Data

XRUBS-160XP - Belt Drive



Damper Size = 16 x 16 (406.4 x 406.4)
 Roof Opening = 18 1/2 x 18 1/2 (469.9 x 469.9)
 Windband Thickness = 0.051 (1.3)
 Motor Cover Thickness = 0.040 (1.02)
 Curb Cap Metal Thickness = 0.051 (1.3)
 ^Approximate Unit Weight = 125 lbs. (56.7 kg)

All dimensions in inches (millimeters).
 *May be greater depending on motor.
 ^Weight shown is largest cataloged Open Drip Proof motor.



Model Number	HP	RPM	Static Pressure (in. wg)																							
			1.00		1.25		1.50		1.75		2.00		2.25		2.50		2.75		3.00		3.25					
			sones	Bhp	sones	Bhp	sones	Bhp	sones	Bhp	sones	Bhp	sones	Bhp	sones	Bhp	sones	Bhp	sones	Bhp	sones	Bhp				
XRUBS-160XP-5	1/2	1550	10.0	0.34																						
		1750	12.1	0.52	11.4	0.49	10.9	0.43																		
XRUBS-160XP-7	3/4	1880	15.15	1.359	11.39	0.744																				
		2005	13.7	0.65	13.1	0.63	12.3	0.60	12.2	0.52																
XRUBS-160XP-10	1	2205	16.84	1.552	13.92	1.161	777																			
		2310	15.0	0.77	14.7	0.78	14.1	0.76	13.4	0.72	13.6	0.63														
XRUBS-160XP-15	1 1/2	2420	19.46	1.834	17.13	1.578	1395	1.127	634																	
		2525	17.5	1.01	17.3	1.03	17.0	1.04	16.4	1.01	15.9	0.99	15.5	0.92	16.7	0.73										
		2525	20.76	1.974	18.65	1.741	1597	1.415	1134	644																
		2420	19.0	1.17	18.7	1.18	18.5	1.20	18.1	1.18	17.5	1.16	17.1	1.12	16.8	1.04	18.4	0.83								
		2525	22.12	2.118	20.15	1.908	1785	1.637	1451	1.179	731															
		2525	20	1.34	20	1.34	20	1.36	19.8	1.38	19.4	1.35	18.9	1.32	18.5	1.28	18.6	1.19	20	0.99						
		2525	22	1.52	22	1.52	22	1.54	22	1.56	21	1.56	21	1.53	20	1.50	20	1.45	20	1.35	22	1.16				

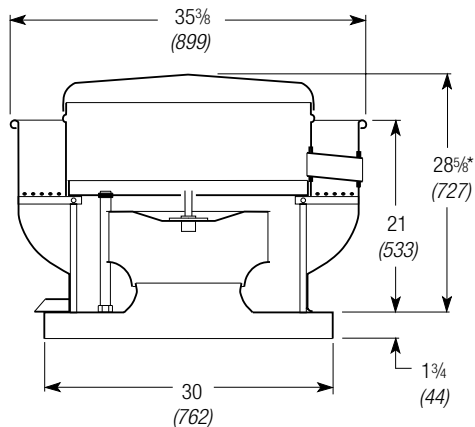
MAXIMUM Bhp AT A GIVEN RPM = (RPM/2170)³
 MAXIMUM RPM = 2525
 TIP SPEED (ft/min) = RPM X 3.534
 MAXIMUM MOTOR FRAME SIZE = 145T
 AVERAGE DISCHARGE VELOCITY (FPM) = cfm/1.72

Performance certified is for installation type A: Free inlet, Free outlet. Power rating (Bhp) does not include transmission losses. Performance ratings do not include the effects of appurtenances (accessories). The sound ratings shown are loudness values in fan sones at 5 ft. (1.5 m) in a hemispherical free field calculated per AMCA Standard 301. Values shown are for installation type A: Free inlet hemispherical sone levels.

Roof Upblast and Sidewall Exhaust Fans

Performance and Dimensional Data

XRUBS-180 - Belt Drive

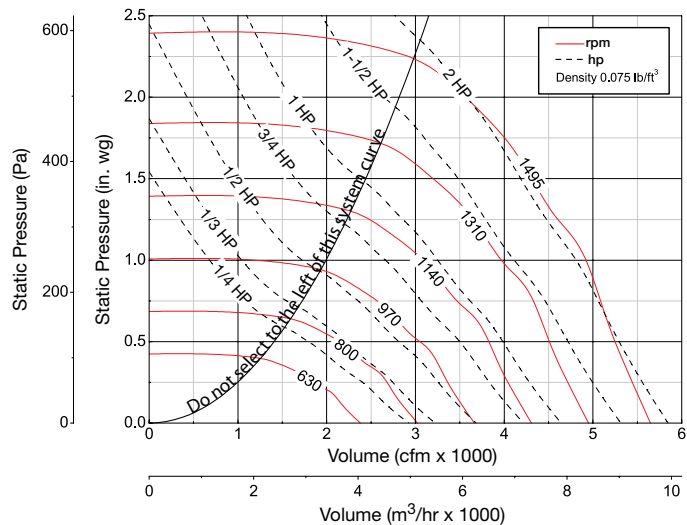


Damper Size = 18 x 18 (457.2 x 457.2)
 Roof Opening = 20 1/2 x 20 1/2 (520.7 x 520.7)
 Windband Thickness = 0.051 (1.3)
 Motor Cover Thickness = 0.040 (1.02)
 Curb Cap Metal Thickness = 0.064 (1.63)
 ^Approximate Unit Weight = 190 lbs. (86.18 kg)

All dimensions in inches (millimeters).

*May be greater depending on motor.

^Weight shown is largest cataloged Open Drip Proof motor.



Model Number	HP	RPM	Static Pressure (in. wg)																					
			0		0.125		0.25		0.50		0.75		1.00		1.25		1.50		1.75		2.00			
			sones	Bhp	sones	Bhp	sones	Bhp	sones	Bhp	sones	Bhp	sones	Bhp	sones	Bhp	sones	Bhp	sones	Bhp	sones	Bhp		
XRUBS-180-4	1/4	630	2380	2154	1861																			
		745	7.1	0.13	6.4	0.15	5.5	0.16																
XRUBS-180-3	1/3	820	2815	2617	2448	1763																		
		940	9.2	0.22	8.6	0.24	8.1	0.26	7.1	0.25														
XRUBS-180-5	1/2	880	3098	2916	2759	2257																		
		940	11.2	0.30	10.4	0.32	10.0	0.34	9.0	0.34														
XRUBS-180-7	3/4	1010	3325	3152	3002	2576	1893																	
		1075	12.7	0.37	12.2	0.39	11.7	0.41	10.8	0.43	9.7	0.39												
XRUBS-180-10	1	1185	3816	3664	3526	3242	2799	2105																
		1275	15.4	0.56	15.2	0.58	14.9	0.61	14.7	0.65	13.7	0.64	11.8	0.58										
XRUBS-180-15	1 1/2	1360	4061	3919	3786	3554	3141	2652																
		1430	16.5	0.67	16.2	0.70	15.8	0.73	15.5	0.78	14.7	0.78	13.3	0.75										
XRUBS-180-20	2	1495	4477	4348	4224	4005	3703	3336	2841															
		1495	18.5	0.90	17.9	0.93	17.1	0.96	16.5	1.01	16.0	1.04	15.2	1.04	14.4	0.99								
XRUBS-180-20	2	1495	4817	4697	4578	4369	4163	3799	3437	2930														
		1495	21	1.12	20	1.15	19.5	1.19	18.7	1.24	18.2	1.30	17.5	1.30	16.7	1.28	15.9	1.22						
XRUBS-180-20	2	1495	5138	5026	4913	4710	4532	4232	3912	3537	3023													
		1495	23	1.36	23	1.39	22	1.43	21	1.49	21	1.56	20	1.58	19.2	1.58	18.3	1.54	17.3	1.46				
XRUBS-180-20	2	1495	5402	5296	5189	4993	4819	4593	4270	3968	3567	3001												
		1495	25	1.58	25	1.62	25	1.66	24	1.72	23	1.79	22	1.83	22	1.83	21	1.83	19.5	1.76	18.2	1.66		
XRUBS-180-20	2	1495	5648	5546	5443	5254	5082	4921	4598	4313	3983	3564												
		1495	28	1.80	27	1.84	27	1.89	26	1.96	25	2.02	25	2.10	24	2.10	23	2.10	22	2.06	21	1.99		

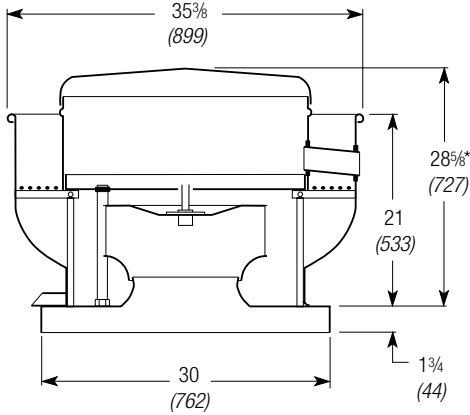
MAXIMUM Bhp AT A GIVEN RPM = (RPM/1167)³
 MAXIMUM RPM = 1495
 TIP SPEED (ft/min) = RPM X 4.843
 MAXIMUM MOTOR FRAME SIZE = 184T
 AVERAGE DISCHARGE VELOCITY (FPM) = cfm/2.92

Performance certified is for installation type A: Free inlet, Free outlet. Power rating (Bhp) does not include transmission losses. Performance ratings do not include the effects of appurtenances (accessories). The sound ratings shown are loudness values in fan sones at 5 ft. (1.5 m) in a hemispherical free field calculated per AMCA Standard 301. Values shown are for installation type A: Free inlet hemispherical sone levels.

Roof Upblast and Sidewall Exhaust Fans

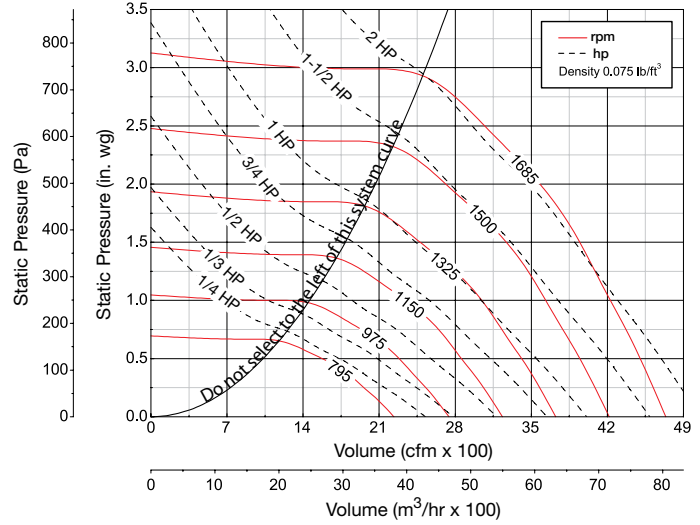
Performance and Dimensional Data

XRUBS-180HP - Belt Drive



Damper Size = 18 x 18 (457.2 x 457.2)
 Roof Opening = 20 1/2 x 20 1/2 (520.7 x 520.7)
 Windband Thickness = 0.051 (1.3)
 Motor Cover Thickness = 0.040 (1.02)
 Curb Cap Metal Thickness = 0.064 (1.63)
 ^Approximate Unit Weight = 190 lbs. (86.18 kg)

All dimensions in inches (millimeters).
 *May be greater depending on motor.
 ^Weight shown is largest cataloged Open Drip Proof motor.



Model Number	HP	RPM	Static Pressure (in. wg)																					
			0.50		0.75		1.00		1.25		1.50		1.75		2.00		2.25		2.50		2.75			
			sones	Bhp	sones	Bhp	sones	Bhp	sones	Bhp	sones	Bhp	sones	Bhp	sones	Bhp	sones	Bhp	sones	Bhp	sones	Bhp		
XRUBS-180HP-4	1/4	795		1570																				
		845	8.3	0.22																				
XRUBS-180HP-3	1/3	925		2104		1688																		
		1065	10.8	0.34	9.8	0.35																		
XRUBS-180HP-5	1/2	1065		2581		2323		1933																
		1140	13.8	0.50	12.5	0.52	12.4	0.53																
XRUBS-180HP-7	3/4	1140		2823		2604		2294		1886														
		1215	14.4	0.60	13.6	0.64	13.0	0.65	12.8	0.63														
XRUBS-180HP-10	1	1275		3063		2868		2626		2286		1854												
		1335	15.0	0.72	14.5	0.76	14.0	0.78	13.4	0.79	12.9	0.75												
XRUBS-180HP-15	1 1/2	1430		3253		3066		2853		2566		2209												
		1530	16.7	0.82	15.8	0.87	15.4	0.89	14.9	0.91	14.3	0.89												
XRUBS-180HP-20	2	1610		3441		3261		3075		2839		2523		2156										
		1685	18.7	0.93	17.4	0.98	17.0	1.02	16.6	1.04	16.1	1.04	15.6	1.01										
XRUBS-180HP-15	1 1/2	1430		3735		3566		3401		3206		2964		2669		2320								
		1530	22	1.13	21	1.19	19.7	1.23	19.3	1.26	18.9	1.27	18.4	1.28	17.9	1.24								
XRUBS-180HP-20	2	1610		4035		3884		3728		3574		3376		3135		2859		2534						
		1685	24	1.36	23	1.43	22	1.48	21	1.53	20	1.55	19.8	1.56	19.3	1.57	18.6	1.53						
XRUBS-180HP-20	2	1610		4273		4136		3986		3840		3674		3485		3233		2965		2656				
		1685	25	1.58	24	1.64	23	1.70	23	1.76	22	1.79	21	1.81	21	1.82	20	1.82	19.2	1.78				
XRUBS-180HP-20	2	1610		4495		4369		4226		4085		3945		3768		3575		3325		3061		2766		
		1685	27	1.79	26	1.86	25	1.93	26	1.99	24	2.04	23	2.07	22	2.08	21	2.09	21	2.08	20	2.04		

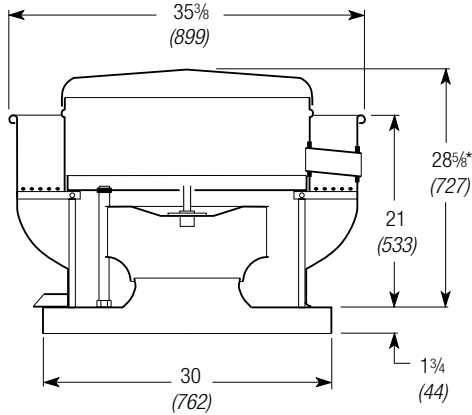
MAXIMUM Bhp AT A GIVEN RPM = (RPM/1315)³
 MAXIMUM RPM = 1685
 TIP SPEED (ft/min) = RPM x 4.843
 MAXIMUM MOTOR FRAME SIZE = 184T
 AVERAGE DISCHARGE VELOCITY (FPM) = cfm/2.92

Performance certified is for installation type A: Free inlet, Free outlet. Power rating (Bhp) does not include transmission losses. Performance ratings do not include the effects of appurtenances (accessories). The sound ratings shown are loudness values in fan sones at 5 ft. (1.5 m) in a hemispherical free field calculated per AMCA Standard 301. Values shown are for installation type A: Free inlet hemispherical sone levels.

Roof Upblast and Sidewall Exhaust Fans

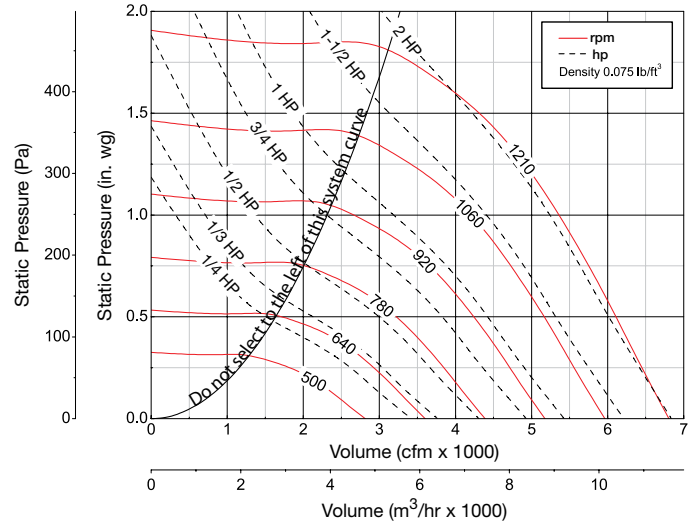
Performance and Dimensional Data

XRUBS-200 - Belt Drive



Damper Size = 18 x 18 (457.2 x 457.2)
 Roof Opening = 20½ x 20½ (520.7 x 520.7)
 Windband Thickness = 0.051 (1.3)
 Motor Cover Thickness = 0.040 (1.02)
 Curb Cap Metal Thickness = 0.064 (1.63)
 ^Approximate Unit Weight = 213 lbs. (96.62 kg)

All dimensions in inches (millimeters).
 *May be greater depending on motor.
 ^Weight shown is largest cataloged Open Drip Proof motor.



Model Number	HP	RPM	Static Pressure (in. wg)																				
			0		0.125		0.25		0.375		0.5		0.75		1.00		1.25		1.50		1.75		
			sones	Bhp	sones	Bhp	sones	Bhp	sones	Bhp	sones	Bhp	sones	Bhp	sones	Bhp	sones	Bhp	sones	Bhp	sones	Bhp	
XRUBS-200-4	1/4	500	2812	0.14	2386	0.15	1822																
		605	6.2	0.14	5.4	0.15	4.6	0.15	2144														
XRUBS-200-3	1/3	665	3403	0.25	3054	0.26	2675	2144															
		710	8.1	0.25	7.4	0.26	6.7	0.26	6.1	0.25													
XRUBS-200-5	1/2	760	3740	0.33	3422	0.34	3096	2699	2073														
		820	3994	0.40	3694	0.41	3393	3050	2606														
XRUBS-200-7	3/4	875	10.6	0.40	10.1	0.41	9.3	0.42	8.6	0.42	8.1	0.42											
		960	4275	0.49	3994	0.51	3718	3413	3048														
XRUBS-200-10	1	1030	4612	0.61	4350	0.63	4098	3828	3523	2606													
		1100	14.1	0.61	14.1	0.63	13.0	0.65	12.2	0.65	11.4	0.65	10.7	0.61									
XRUBS-200-15	1½	1155	4922	0.75	4676	0.77	4439	4192	3922	3240													
		1210	16.3	0.75	16.3	0.77	15.2	0.78	14.7	0.79	13.5	0.79	12.4	0.78									
XRUBS-200-20	2	1210	5400	0.98	5176	1.01	4958	4742	4508	3985	3169												
		1100	18.7	0.98	18.4	1.01	17.7	1.03	17.0	1.04	16.4	1.04	15.0	1.04	14.4	1.00							
XRUBS-200-15	1½	1100	5793	1.22	5585	1.24	5380	5179	4968	4503	3917	2972											
		1155	21	1.22	21	1.24	20	1.26	19.2	1.28	18.7	1.29	17.5	1.29	16.4	1.27	16.8	1.18					
XRUBS-200-20	2	1210	6187	1.48	5992	1.51	5798	5610	5421	5006	4529	3861											
		1155	23	1.48	23	1.51	23	1.53	22	1.55	21	1.57	20	1.57	19.3	1.57	18.6	1.53					
XRUBS-200-20	2	1210	6496	1.72	6311	1.74	6125	5946	5767	5383	4948	4410	3629										
		1155	24	1.72	24	1.74	23	1.77	23	1.79	22	1.81	21	1.81	20	1.81	19.2	1.80	19.9	1.71			
XRUBS-200-20	2	1210	6806	1.97	6628	2.00	6451	6279	6108	5748	5350	4892	4289	3365									
		1155	25	1.97	24	2.00	23	2.03	23	2.05	22	2.07	21	2.09	21	2.09	19.8	2.08	19.7	2.04	21	1.88	

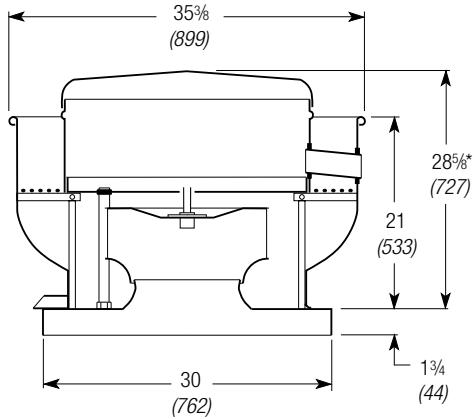
MAXIMUM Bhp AT A GIVEN RPM = (RPM/946)³
 MAXIMUM RPM = 1210
 TIP SPEED (ft/min) = RPM X 5.595
 MAXIMUM MOTOR FRAME SIZE = 184T
 AVERAGE DISCHARGE VELOCITY (FPM) = cfm/2.92

Performance certified is for installation type A: Free inlet, Free outlet. Power rating (Bhp) does not include transmission losses. Performance ratings do not include the effects of appurtenances (accessories). The sound ratings shown are loudness values in fan sones at 5 ft. (1.5 m) in a hemispherical free field calculated per AMCA Standard 301. Values shown are for installation type A: Free inlet hemispherical sone levels.

Roof Upblast and Sidewall Exhaust Fans

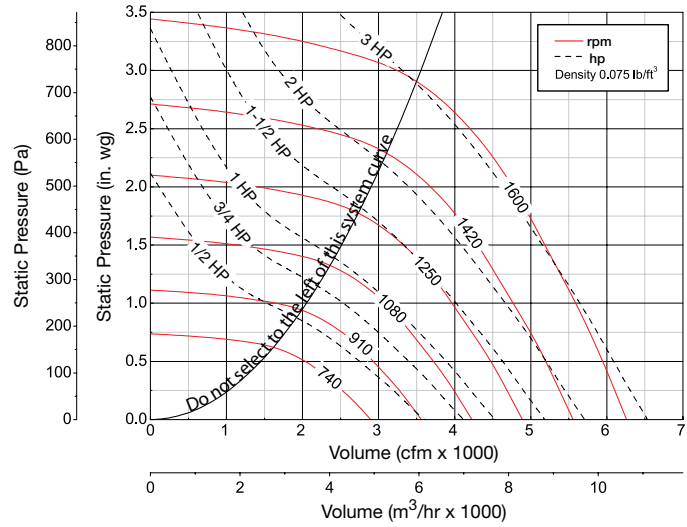
Performance and Dimensional Data

XRUBS-200HP - Belt Drive



Damper Size = 18 x 18 (457.2 x 457.2)
 Roof Opening = 20 1/2 x 20 1/2 (520.7 x 520.7)
 Windband Thickness = 0.051 (1.3)
 Motor Cover Thickness = 0.040 (1.02)
 Curb Cap Metal Thickness = 0.064 (1.63)
 ^Approximate Unit Weight = 213 lbs. (96.62 kg)

All dimensions in inches (millimeters).
 *May be greater depending on motor.
 ^Weight shown is largest cataloged Open Drip Proof motor.



Model Number	HP	RPM	Static Pressure (in. wg)																					
			0.50		0.75		1.00		1.25		1.50		1.75		2.00		2.25		2.50		2.75			
			sones	Bhp	sones	Bhp	sones	Bhp	sones	Bhp	sones	Bhp	sones	Bhp	sones	Bhp	sones	Bhp	sones	Bhp	sones	Bhp		
XRUBS-200HP-5	1/2	740	2024																					
			8.1	0.31																				
		880	10.5	0.51	9.5	0.52																		
XRUBS-200HP-7	3/4	945	3094	2711	2092																			
			12.2	0.62	11.5	0.64	10.6	0.62																
		1010	14.5	0.75	13.7	0.78	13.2	0.79																
XRUBS-200HP-10	1	1110	3851	3561	3242		2806																	
			16.9	0.98	16.2	1.02	15.7	1.04	15.5	1.04														
XRUBS-200HP-15	1 1/2	1190	4207	3944	3661		3321		2850															
			19.0	1.20	18.1	1.24	17.5	1.27	17.3	1.29	17.5	1.26												
		1270	4558	4312	4055		3789		3433		2944													
XRUBS-200HP-20	2	1335	22	1.44	21	1.49	20	1.53	19.7	1.56	19.3	1.56	19.8	1.53										
			4837	4606	4369		4116		3826		3482		2946											
		1400	23	1.67	23	1.71	22	1.76	21	1.79	21	1.82	21	1.82	22	1.75								
XRUBS-200HP-30	3	1465	5382	5186	4972		4752		4521		4269		3956		3556									
			26	2.18	25	2.23	25	2.28	25	2.33	23	2.37	23	2.40	24	2.40	25	2.37						
		1535	5674	5494	5290		5085		4867		4646		4379		4080		3668							
			27	2.50	27	2.55	27	2.61	27	2.66	25	2.70	23	2.74	24	2.76	26	2.76	28	2.71				
	1600	5943	5775	5581		5385		5182		4971		4760		4476		4189		3760						
		29	2.81	28	2.88	29	2.93	30	2.99	29	3.03	26	3.08	24	3.13	26	3.13	28	3.13	31	3.06			

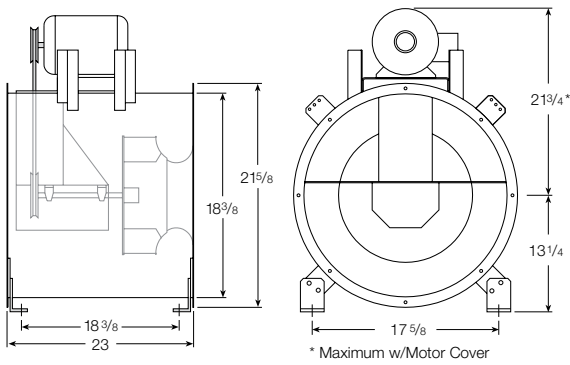
MAXIMUM Bhp AT A GIVEN RPM = (RPM/1093)³
 MAXIMUM RPM = 1600 (XRUB)
 MAXIMUM RPM = 1400 (XSEB)
 TIP SPEED (ft/min) = RPM X 5.595
 MAXIMUM MOTOR FRAME SIZE = 184T
 AVERAGE DISCHARGE VELOCITY (FPM) = cfm/2.92

Performance certified is for installation type A: Free inlet, Free outlet. Power rating (Bhp) does not include transmission losses. Performance ratings do not include the effects of appurtenances (accessories). The sound ratings shown are loudness values in fan sones at 5 ft. (1.5 m) in a hemispherical free field calculated per AMCA Standard 301. Values shown are for installation type A: Free inlet hemispherical sone levels.

Inline Fans

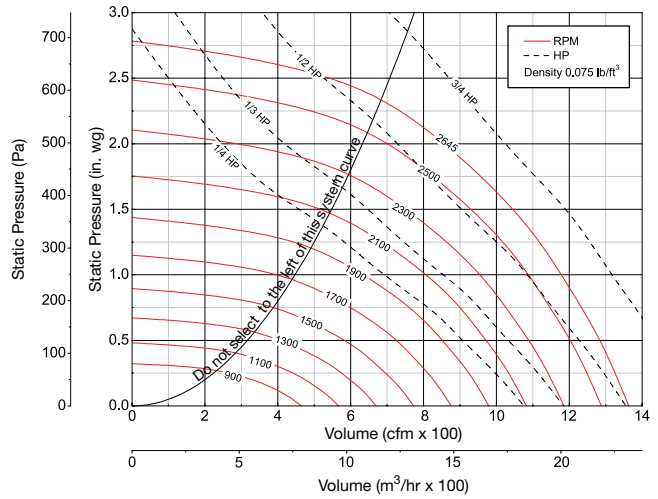
Performance and Dimensional Data

XTIF-1-09 - Level 1 Construction



Maximum rpm = 2645
 Outlet Velocity (ft/min) = cfm x 0.543
 Tip Speed (ft/min) = rpm x 2.928
 Maximum Bhp at a given rpm = (rpm/3114)³
 Max Motor Frame Size = 56
 Housing = 12 ga. Steel Construction
 0.125 in. (3.175 mm) Aluminum Construction
 Shaft Diameter = 3/4 in. (19 mm)

All dimensions in inches.



cfm	OV	Static Pressure (in. wg)																		
		0.125		0.25		0.5		0.75		1		1.25		1.5		1.75		2		
		RPM	Bhp	RPM	Bhp	RPM	Bhp	RPM	Bhp	RPM	Bhp	RPM	Bhp	RPM	Bhp	RPM	Bhp	RPM	Bhp	
360	195	846	0.02	999	0.03	1260	0.06													
		5.3		6.0		7.5														
420	228	941	0.03	1071	0.04	1314	0.07	1526	0.11											
		5.7		6.3		7.7		9.2												
480	260	1040	0.04	1155	0.05	1380	0.09	1576	0.12	1758	0.17									
		6.3		6.8		8.0		9.3		10.6										
540	293	1144	0.05	1245	0.06	1449	0.10	1635	0.14	1807	0.19	1968	0.23	2115	0.28					
		7.1		7.4		8.4		9.5		10.7		12.0		13.3						
600	326	1250	0.06	1341	0.08	1523	0.12	1704	0.16	1865	0.21	2017	0.26	2163	0.31	2298	0.36			
		7.8		8.1		8.8		9.9		11.0		12.2		13.5		14.7				
660	358	1357	0.07	1439	0.09	1606	0.14	1774	0.18	1930	0.23	2074	0.29	2212	0.34	2346	0.40	2472	0.46	
		8.6		8.8		9.3		10.4		11.4		12.6		13.7		14.9		16.2		
720	391	1465	0.09	1542	0.11	1692	0.16	1845	0.21	1999	0.26	2137	0.32	2270	0.38	2395	0.43	2520	0.50	
		9.4		9.6		10.0		10.9		12.0		13.1		14.0		15.0		16.3		
780	423	1576	0.12	1647	0.14	1786	0.18	1928	0.24	2069	0.29	2206	0.35	2331	0.41	2454	0.47	2570	0.54	
		10.2		10.4		10.8		11.5		12.7		13.6		14.5		15.4		16.5		
840	456	1688	0.14	1752	0.16	1882	0.21	2012	0.27	2142	0.33	2276	0.39	2400	0.45	2515	0.52	2629	0.59	
		11.0		11.2		11.7		12.3		13.3		14.2		15.0		16.0		17.0		
900	489	1801	0.17	1859	0.19	1980	0.25	2100	0.30	2225	0.36	2347	0.43	2469	0.50	2584	0.56			
		12.0		12.2		12.7		13.3		13.9		14.8		15.7		16.6				
960	521	1914	0.20	1966	0.23	2081	0.28	2195	0.34	2310	0.40	2424	0.47	2540	0.54					
		13.0		13.2		14.0		14.2		14.7		15.4		16.4						
1020	554	2028	0.24	2075	0.26	2184	0.32	2292	0.38	2395	0.44	2507	0.52	2612	0.59					
		14.4		14.9		15.0		15.1		15.5		16.3		17.2						
1080	586	2141	0.28	2186	0.31	2288	0.37	2389	0.43	2490	0.50	2592	0.57							
		15.9		15.9		16.0		16.2		16.6		17.2								
1140	619	2255	0.33	2298	0.36	2394	0.42	2487	0.49	2585	0.55									
		16.9		16.9		17.1		17.4		17.8										
1200	652	2370	0.38	2410	0.41	2500	0.47	2590	0.54											
		17.9		18.0		18.3		18.6												

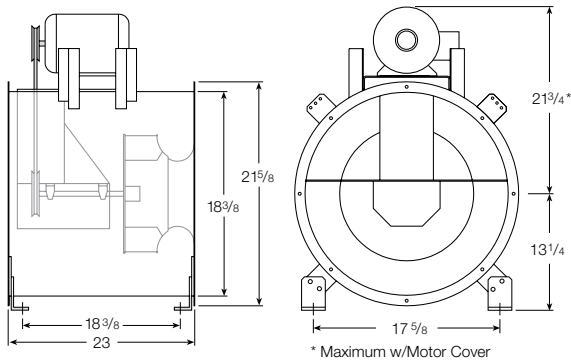
Performance certified is for installation Type B Free inlet, Ducted outlet. Power rating (Bhp) does not include transmission losses. Performance ratings do not include the effects of appurtenances (accessories).

The sound ratings shown are loudness values in fan sones at 5 ft. (1.5 m) in a hemispherical free field calculated per AMCA Standard 301. Values shown are for installation Type B Free inlet hemispherical sone levels.

Inline Fans

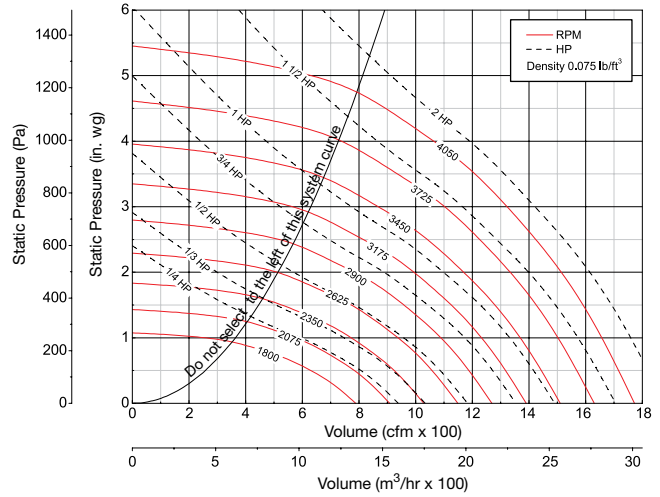
Performance and Dimensional Data

XTIF-2-09 - Level 2 Construction



Maximum rpm = 4050
 Outlet Velocity (ft/min) = cfm x 0.543
 Tip Speed (ft/min) = rpm x 2.75
 Maximum Bhp at a given rpm = (rpm/3330)³
 Max Motor Frame Size = 145T
 Housing = 12 ga. Steel Construction
 0.125 in. (3.175 mm) Aluminum Construction
 Shaft Diameter = 1 in. (25 mm)

All dimensions in inches.



cfm	OV	Static Pressure (in. wg)																	
		0.25		0.5		1		1.5		2		2.5		3		3.5		4	
		RPM	Bhp	RPM	Bhp	RPM	Bhp	RPM	Bhp	RPM	Bhp	RPM	Bhp	RPM	Bhp	RPM	Bhp	RPM	Bhp
400	217	1198	0.05	1460	0.08	1893	0.18												
		7.3		8.7		11.9													
480	260	1332	0.06	1566	0.10	1971	0.20	2309	0.32										
		8.2		9.6		12.7		15.7											
560	304	1480	0.09	1686	0.13	2059	0.24	2386	0.36	2671	0.49								
		9.2		10.6		13.5		16.5		19.1									
640	347	1635	0.11	1818	0.16	2158	0.27	2469	0.41	2749	0.55	3000	0.70	3228	0.86				
		10.6		11.7		14.6		17.4		20		23		25					
720	391	1799	0.15	1958	0.20	2275	0.32	2562	0.45	2830	0.61	3078	0.77	3305	0.94	3514	1.12		
		12.0		13.0		15.8		18.3		21		23		25		28			
800	434	1966	0.20	2108	0.25	2397	0.37	2666	0.51	2921	0.67	3158	0.85	3383	1.03	3591	1.21	3786	1.41
		13.4		14.5		16.9		18.3		22		24		26		28		31	
880	478	2135	0.25	2262	0.30	2528	0.43	2784	0.58	3015	0.74	3250	0.93	3464	1.12	3669	1.32	3863	1.52
		15.1		16.2		18.2		21		23		25		27		29		32	
960	521	2308	0.32	2425	0.37	2665	0.50	2905	0.66	3132	0.83	3343	1.01	3555	1.21	3752	1.42	3942	1.64
		16.8		17.6		19.6		22		24		26		28		31		33	
1040	565	2482	0.39	2590	0.45	2810	0.59	3033	0.75	3251	0.93	3453	1.11	3648	1.31	3844	1.53	4027	1.76
		18.4		19.3		21		23		25		27		29		32		34	
1120	608	2658	0.48	2757	0.54	2960	0.68	3168	0.85	3372	1.03	3571	1.23	3754	1.43	3937	1.65		
		20		21		23		25		27		29		31		33			
1200	652	2835	0.58	2925	0.65	3113	0.79	3306	0.96	3501	1.15	3691	1.35	3872	1.57	4041	1.79		
		22		23		24		26		28		30		32		35			
1280	695	3012	0.70	3095	0.76	3271	0.91	3453	1.09	3636	1.28	3813	1.49	3991	1.71				
		24		25		26		28		29		32		34					
1360	739	3190	0.83	3269	0.90	3434	1.05	3603	1.23	3773	1.43	3945	1.64						
		26		26		28		29		31		34							
1440	782	3368	0.97	3444	1.05	3599	1.21	3756	1.39	3917	1.59								
		28		28		30		31		33									
1520	826	3547	1.14	3619	1.21	3765	1.38	3909	1.56										
		30		30		32		34											

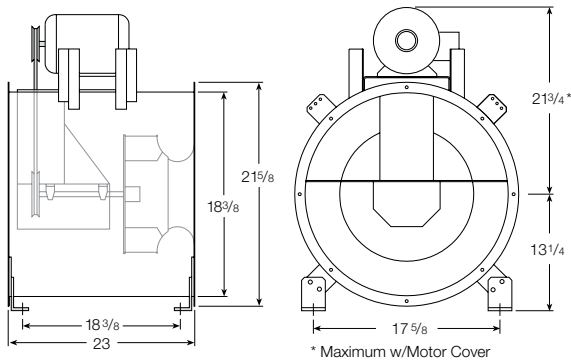
Performance certified is for installation Type B Free inlet, Ducted outlet. Power rating (Bhp) does not include transmission losses. Performance ratings do not include the effects of appurtenances (accessories).

The sound ratings shown are loudness values in fan sones at 5 ft. (1.5 m) in a hemispherical free field calculated per AMCA Standard 301. Values shown are for installation Type B Free inlet hemispherical sone levels.

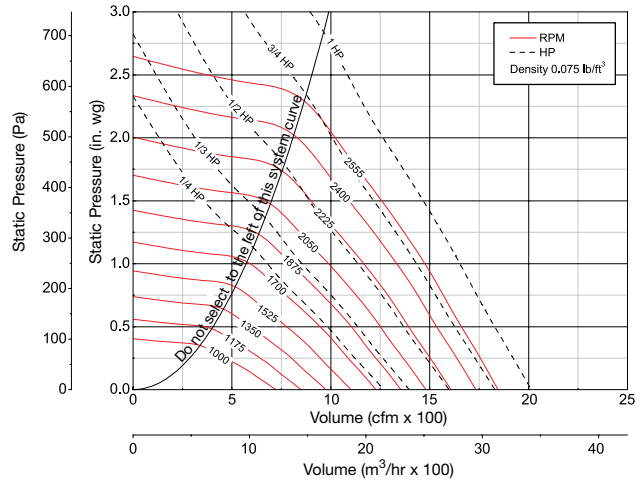
Inline Fans

Performance and Dimensional Data

XTIF-1-10 - Level 1 Construction



Maximum rpm = 2555
 Outlet Velocity (ft/min) = cfm x 0.543
 Tip Speed (ft/min) = rpm x 2.928
 Maximum Bhp at a given rpm = (rpm/2760)³
 Max Motor Frame Size = 143T
 Housing = 12 ga. Steel Construction
 0.125 in. (3.175 mm) Aluminum Construction
 Shaft Diameter = 3/4 in. (19 mm)



All dimensions in inches.

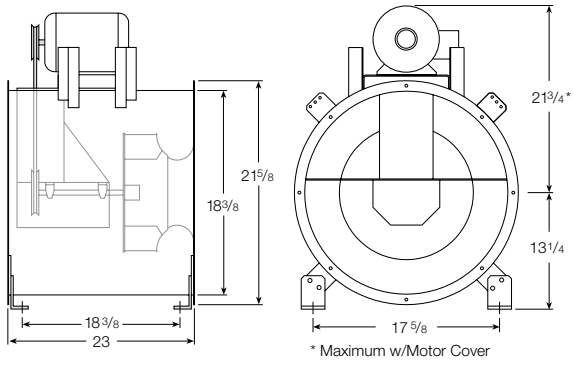
cfm	OV	Static Pressure (in. wg)																		
		0.125		0.25		0.5		0.75		1		1.25		1.5		1.75		2		
		RPM	Bhp	RPM	Bhp	RPM	Bhp	RPM	Bhp	RPM	Bhp	RPM	Bhp	RPM	Bhp	RPM	Bhp	RPM	Bhp	
480	260	858	0.03	1011	0.05	1253	0.09													
		4.9		5.7		7.3														
560	304	947	0.04	1089	0.06	1321	0.11	1511	0.15											
		5.5		6.3		7.7		9.3												
640	347	1042	0.05	1171	0.08	1394	0.13	1578	0.18	1740	0.23	1892	0.29							
		6.3		7.0		8.2		9.6		11.2		13.3								
720	391	1141	0.07	1259	0.09	1470	0.15	1649	0.21	1806	0.27	1949	0.33	2079	0.39					
		7.2		7.6		8.9		10.0		11.5		13.2		15.0						
800	434	1239	0.09	1349	0.12	1548	0.18	1723	0.24	1876	0.31	2015	0.37	2144	0.44	2263	0.51			
		8.0		8.4		9.6		10.7		11.9		13.5		14.8		16.1				
880	478	1340	0.11	1444	0.14	1630	0.21	1798	0.27	1949	0.34	2084	0.42	2211	0.49	2329	0.57	2440	0.64	
		8.8		9.2		10.2		11.3		12.5		13.7		15.0		16.2		17.6		
960	521	1441	0.14	1541	0.17	1716	0.24	1876	0.31	2023	0.39	2157	0.47	2280	0.55	2396	0.63	2506	0.71	
		9.7		10.1		10.9		12.1		13.3		14.1		15.2		16.5		17.9		
1040	565	1544	0.17	1640	0.21	1805	0.28	1957	0.35	2099	0.44	2231	0.52	2352	0.60	2465	0.69			
		10.5		10.9		11.7		12.9		13.9		14.8		15.7		16.9				
1120	608	1648	0.21	1739	0.25	1895	0.32	2042	0.40	2178	0.49	2306	0.58	2426	0.67	2538	0.76			
		11.3		11.7		12.7		13.8		14.6		15.5		16.5		17.7				
1200	652	1752	0.25	1839	0.29	1989	0.37	2129	0.46	2259	0.55	2383	0.64	2501	0.73					
		12.2		12.6		13.7		14.5		15.3		16.3		17.5						
1280	695	1858	0.30	1940	0.34	2085	0.43	2218	0.52	2343	0.61	2464	0.71							
		13.2		13.7		14.5		15.2		16.2		17.3								
1360	739	1964	0.35	2041	0.40	2183	0.49	2308	0.58	2430	0.68	2545	0.78							
		14.5		14.9		15.4		16.2		17.2		18.3								
1440	782	2071	0.41	2144	0.46	2282	0.56	2401	0.66	2519	0.76									
		15.6		15.8		16.4		17.3		18.3										
1520	826	2177	0.48	2247	0.53	2380	0.64	2497	0.74											
		16.4		16.7		17.5		18.4												
1600	869	2285	0.56	2351	0.61	2479	0.72													
		17.3		17.7		18.5														

Performance certified is for installation Type B Free inlet, Ducted outlet. Power rating (Bhp) does not include transmission losses. Performance ratings do not include the effects of appurtenances (accessories).

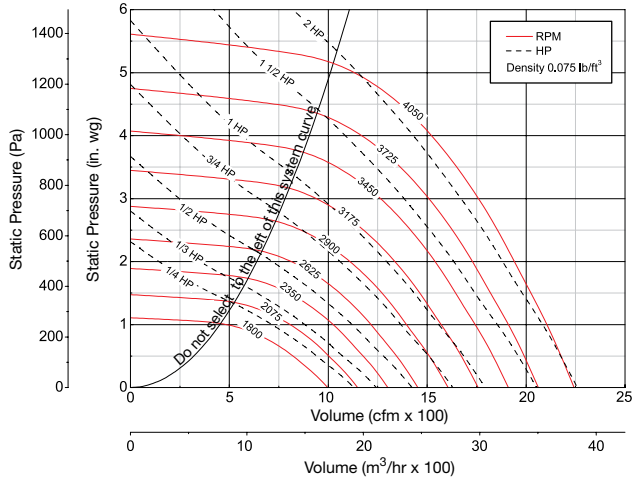
The sound ratings shown are loudness values in fan sones at 5 ft. (1.5 m) in a hemispherical free field calculated per AMCA Standard 301. Values shown are for installation Type B Free inlet hemispherical sone levels.

Inline Fans

Performance and Dimensional Data XTIF-2-10 - Level 2 Construction



Maximum rpm = 4050
 Outlet Velocity (ft/min) = cfm x 0.543
 Tip Speed (ft/min) = rpm x 2.75
 Maximum Bhp at a given rpm = (rpm/3120)³
 Max Motor Frame Size = 145T
 Housing = 12 ga. Steel Construction
 0.125 in. (3.175 mm) Aluminum Construction
 Shaft Diameter = 1 in. (25 mm)



All dimensions in inches.

cfm	OV	Static Pressure (in. wg)																	
		0.25		0.5		1		1.5		2		2.5		3		3.5		4	
		RPM	Bhp	RPM	Bhp	RPM	Bhp	RPM	Bhp	RPM	Bhp	RPM	Bhp	RPM	Bhp	RPM	Bhp	RPM	Bhp
600	326	1300	0.07	1504	0.11	1875	0.21	2213	0.32										
		7.3		8.2		10.5		13.2											
700	380	1453	0.10	1630	0.14	1966	0.24	2273	0.36	2560	0.49								
		8.4		9.1		11.0		13.3		15.6									
800	434	1611	0.13	1768	0.18	2070	0.29	2355	0.42	2619	0.55	2872	0.70	3102	0.86				
		10.0		10.1		11.8		13.7		15.8		18.2		20					
900	489	1773	0.17	1917	0.23	2188	0.34	2448	0.48	2698	0.62	2932	0.78	3160	0.94	3371	1.11	3568	1.29
		11.2		11.3		12.7		14.3		16.2		18.5		20		22		25	
1000	543	1937	0.23	2071	0.29	2319	0.41	2559	0.55	2790	0.70	3011	0.86	3220	1.03	3430	1.22	3626	1.40
		12.4		12.7		13.6		15.2		17.0		19.0		21		23		25	
1100	597	2104	0.29	2228	0.35	2457	0.48	2677	0.63	2892	0.79	3103	0.96	3303	1.14	3490	1.32	3685	1.52
		13.8		14.3		14.6		16.1		17.9		19.5		21		23		25	
1200	652	2276	0.36	2389	0.43	2601	0.57	2807	0.73	3009	0.89	3199	1.07	3394	1.25	3578	1.45	3751	1.65
		15.4		15.4		15.9		17.2		18.9		20		21		23		25	
1300	706	2449	0.45	2552	0.52	2753	0.67	2944	0.83	3128	1.01	3315	1.19	3488	1.38	3670	1.59	3841	1.80
		16.4		16.6		17.2		18.3		19.5		21		22		24		25	
1400	760	2623	0.55	2717	0.62	2907	0.79	3083	0.95	3261	1.14	3433	1.33	3603	1.53	3763	1.73	3933	1.96
		17.5		17.7		18.5		19.3		20		21		23		24		26	
1500	815	2797	0.66	2883	0.74	3063	0.92	3231	1.09	3398	1.28	3557	1.48	3721	1.69	3878	1.91	4026	2.12
		18.6		18.9		19.7		20		21		22		23		25		26	
1600	869	2973	0.79	3052	0.87	3223	1.06	3384	1.25	3537	1.44	3693	1.65	3840	1.86	3995	2.09		
		19.8		20		21		21		22		23		24		25			
1700	923	3149	0.94	3224	1.03	3384	1.22	3538	1.42	3683	1.62	3831	1.84	3974	2.06				
		21		21		22		22		23		23		25					
1800	978	3325	1.10	3396	1.19	3546	1.40	3693	1.61	3834	1.82	3970	2.04						
		22		22		23		23		24		24							
1900	1032	3502	1.29	3570	1.38	3710	1.59	3852	1.82	3988	2.04								
		23		24		24		25		25									
2000	1086	3679	1.49	3744	1.59	3875	1.81	4012	2.04										
		25		25		25		26											

Performance certified is for installation Type B Free inlet, Ducted outlet. Power rating (Bhp) does not include transmission losses. Performance ratings do not include the effects of appurtenances (accessories).

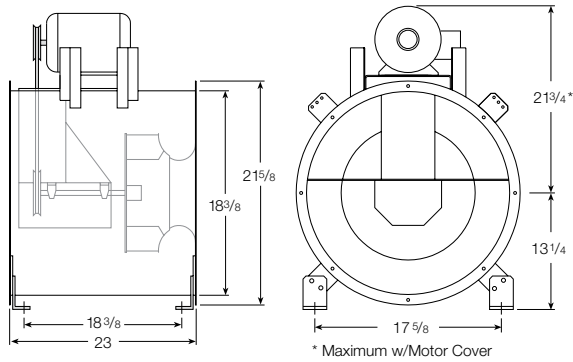
The sound ratings shown are loudness values in fan sones at 5 ft. (1.5 m) in a hemispherical free field calculated per AMCA Standard 301. Values shown are for installation Type B Free inlet hemispherical sone levels.



Inline Fans

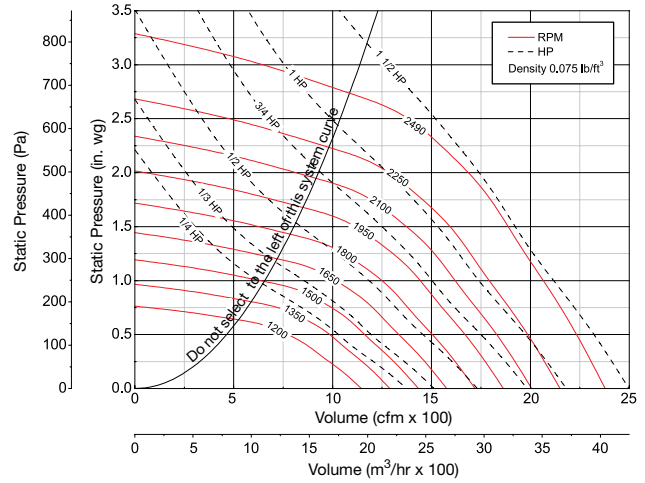
Performance and Dimensional Data

XTIF-1-12 - Level 1 Construction



Maximum rpm = 2490
 Outlet Velocity (ft/min) = cfm x 0.543
 Tip Speed (ft/min) = rpm x 3.436
 Maximum Bhp at a given rpm = (rpm/2202)³
 Max Motor Frame Size = 145T
 Housing = 12 ga. Steel Construction
 0.125 in. (3.175 mm) Aluminum Construction
 Shaft Diameter = 3/4 in. (19 mm)

All dimensions in inches.



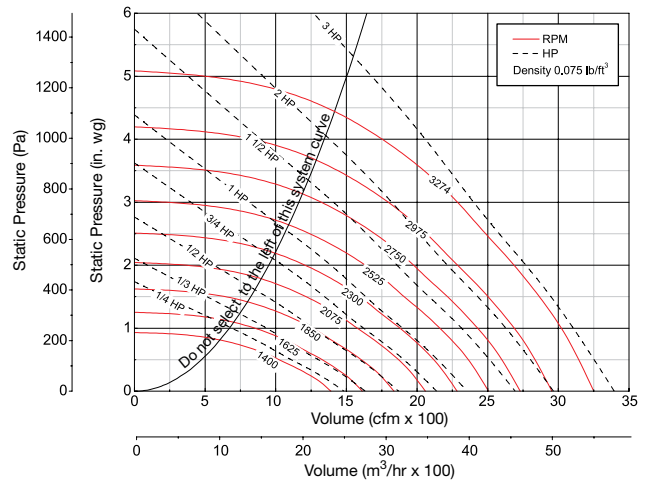
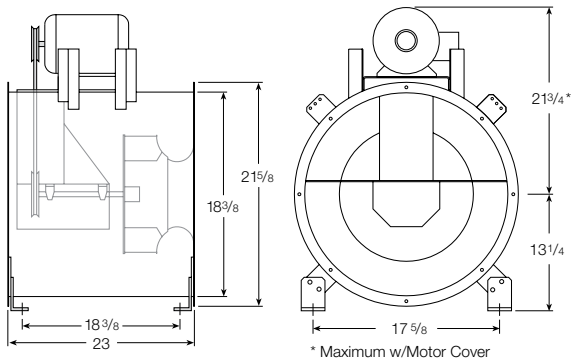
cfm	OV	Static Pressure (in. wg)																	
		0.125		0.25		0.5		0.75		1		1.25		1.5		1.75		2	
		RPM	Bhp	RPM	Bhp	RPM	Bhp	RPM	Bhp	RPM	Bhp	RPM	Bhp	RPM	Bhp	RPM	Bhp	RPM	Bhp
700	380	853	0.06	958	0.08	1158	0.14	1345	0.21	1518	0.28								
		6.2	6.6	7.9	9.4	11.0													
800	434	943	0.08	1042	0.11	1218	0.17	1386	0.24	1551	0.31	1703	0.40						
		6.6	7.0	8.3	9.6	11.1	12.5												
900	489	1037	0.10	1128	0.13	1287	0.20	1442	0.27	1587	0.35	1736	0.44	1873	0.53	2000	0.63		
		7.1	7.6	8.7	9.9	11.2	12.6	14.2	15.5										
1000	543	1132	0.13	1216	0.17	1363	0.24	1506	0.31	1643	0.40	1771	0.49	1906	0.59	2033	0.69	2151	0.79
		7.8	8.3	9.1	10.3	11.5	12.8	14.3	15.6	17.0									
1100	597	1229	0.16	1305	0.20	1447	0.28	1574	0.36	1702	0.45	1827	0.55	1943	0.65	2066	0.75	2183	0.86
		8.6	8.9	9.6	10.8	12.0	13.3	14.4	15.7	17.1									
1200	652	1326	0.20	1398	0.25	1532	0.34	1649	0.42	1769	0.51	1884	0.61	1999	0.71	2105	0.82	2216	0.94
		9.2	9.5	10.3	11.3	12.6	13.9	14.9	15.9	17.3									
1300	706	1426	0.25	1492	0.30	1619	0.39	1732	0.49	1839	0.58	1950	0.68	2055	0.79	2161	0.90	2260	1.02
		9.8	10.2	11.2	12.1	13.4	14.5	15.4	16.4	17.6									
1400	760	1526	0.31	1588	0.36	1707	0.46	1817	0.56	1916	0.66	2019	0.76	2120	0.88	2217	0.99	2316	1.11
		10.6	11.2	12.2	13.2	14.2	15.1	16.0	17.0	18.1									
1500	815	1627	0.37	1684	0.42	1796	0.53	1903	0.64	1999	0.75	2089	0.85	2188	0.97	2281	1.09	2372	1.21
		11.9	12.5	13.5	14.4	14.9	15.7	16.7	17.6	18.7									
1600	869	1729	0.44	1781	0.50	1886	0.61	1990	0.73	2084	0.85	2170	0.96	2258	1.07	2350	1.20	2436	1.33
		13.4	13.9	15.0	15.3	15.7	16.5	17.4	18.3	19.4									
1700	923	1830	0.53	1879	0.58	1980	0.70	2077	0.83	2170	0.95	2254	1.07	2334	1.19	2419	1.32		
		15.1	15.7	15.9	16.2	16.7	17.3	18.1	19.1										
1800	978	1932	0.62	1978	0.68	2074	0.80	2166	0.93	2256	1.07	2339	1.20	2417	1.32				
		16.6	16.6	16.8	17.1	17.6	18.2	19.0											
1900	1032	2034	0.72	2078	0.78	2169	0.91	2256	1.05	2343	1.19	2425	1.33						
		17.3	17.3	17.6	18.0	18.5	19.2												
2000	1086	2137	0.83	2179	0.90	2265	1.03	2348	1.18	2432	1.33								
		18.0	18.1	18.4	18.9	19.5													
2100	1141	2240	0.96	2280	1.02	2361	1.17	2442	1.32										
		18.7	18.8	19.2	19.8														

Performance certified is for installation Type B Free inlet, Ducted outlet. Power rating (Bhp) does not include transmission losses. Performance ratings do not include the effects of appurtenances (accessories).

The sound ratings shown are loudness values in fan sones at 5 ft. (1.5 m) in a hemispherical free field calculated per AMCA Standard 301. Values shown are for installation Type B Free inlet hemispherical sone levels.

Inline Fans

Performance and Dimensional Data XTIF-2-12 - Level 2 Construction



- Maximum rpm = 3274
- Outlet Velocity (ft/min) = cfm x 0.543
- Tip Speed (ft/min) = rpm x 3.21
- Maximum Bhp at a given rpm = (rpm/2315)³
- Max Motor Frame Size = 182T
- Housing = 12 ga. Steel Construction
- 0.125 in. (3.175 mm) Aluminum Construction
- Shaft Diameter = 1 in. (25 mm)

All dimensions in inches.

cfm	OV	Static Pressure (in. wg)																	
		0.25		0.5		1		1.5		2		2.5		3		3.5		4	
		RPM	Bhp	RPM	Bhp	RPM	Bhp	RPM	Bhp	RPM	Bhp	RPM	Bhp	RPM	Bhp	RPM	Bhp	RPM	Bhp
750	407	1009	0.08	1226	0.14	1587	0.27												
		5.5	6.7	9.8															
900	489	1119	0.11	1315	0.18	1648	0.32	1936	0.49	2182	0.67								
		6.3	7.6	10.2	13.1	15.9													
1050	570	1238	0.15	1419	0.23	1728	0.39	1995	0.56	2240	0.76	2456	0.96						
		7.5	8.5	11.0	13.6	16.4	19.0												
1200	652	1363	0.20	1529	0.29	1813	0.46	2070	0.65	2299	0.85	2514	1.08	2710	1.31	2890	1.55		
		8.9	9.6	12.0	14.2	16.9	19.5	22	24										
1350	733	1495	0.27	1643	0.36	1911	0.55	2151	0.76	2372	0.97	2574	1.20	2768	1.45	2948	1.71	3115	1.97
		10.4	11.1	13.2	15.2	17.6	20	22	25	28	30	31	32						
1500	815	1630	0.34	1764	0.44	2018	0.66	2240	0.88	2452	1.11	2647	1.35	2828	1.60	3007	1.87	3174	2.16
		12.0	12.9	14.5	16.6	18.6	21	23	26	29	31	32							
1650	896	1767	0.44	1887	0.54	2127	0.77	2338	1.01	2534	1.26	2727	1.51	2903	1.78	3067	2.05	3233	2.35
		13.9	14.4	15.9	18.4	19.9	22	24	27	30	32								
1800	978	1908	0.55	2018	0.66	2239	0.90	2445	1.17	2630	1.43	2808	1.70	2983	1.98	3145	2.27		
		15.9	16.5	18.0	19.9	22	23	25	28	30	32								
1950	1059	2053	0.68	2151	0.79	2356	1.05	2554	1.34	2731	1.62	2900	1.90	3064	2.20	3225	2.50		
		18.2	18.8	20	22	23	25	27	29	31	32								
2100	1141	2198	0.83	2286	0.95	2477	1.22	2664	1.52	2839	1.83	2997	2.13	3154	2.44				
		21	22	22	23	25	27	29											
2250	1222	2344	1.00	2423	1.13	2599	1.41	2777	1.73	2948	2.05	3104	2.38	3250	2.71				
		24	24	25	26	27	29	32											
2400	1304	2490	1.19	2560	1.33	2726	1.63	2896	1.96	3058	2.30	3212	2.65						
		26	26	27	28	30	32												
2550	1385	2637	1.41	2703	1.56	2858	1.87	3016	2.21	3169	2.57								
		28	29	29	31	32													
2700	1467	2785	1.66	2847	1.81	2991	2.14	3138	2.48										
		31	31	32	34														
2850	1548	2933	1.93	2992	2.09	3126	2.43	3262	2.79										
		34	34	35	37														

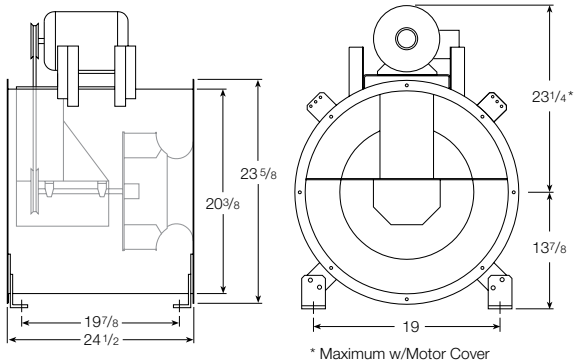
Performance certified is for installation Type B Free inlet, Ducted outlet. Power rating (Bhp) does not include transmission losses. Performance ratings do not include the effects of appurtenances (accessories).

The sound ratings shown are loudness values in fan sones at 5 ft. (1.5 m) in a hemispherical free field calculated per AMCA Standard 301. Values shown are for installation Type B Free inlet hemispherical sone levels.

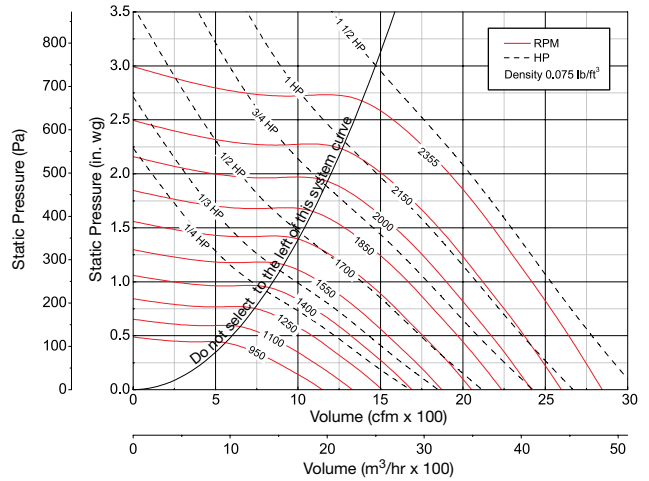
Inline Fans

Performance and Dimensional Data

XTIF-1-13 - Level 1 Construction



- Maximum rpm = 2355
- Outlet Velocity (ft/min) = cfm x 0.442
- Tip Speed (ft/min) = rpm x 3.435
- Maximum Bhp at a given rpm = (rpm/2119)³
- Max Motor Frame Size = 145T
- Housing = 12 ga. Steel Construction
- 0.125 in. (3.175 mm) Aluminum Construction
- Shaft Diameter = 3/4 in. (19 mm)



All dimensions in inches.

cfm	OV	Static Pressure (in. wg)																		
		0.125		0.25		0.5		0.75		1		1.25		1.5		1.75		2		
		RPM	Bhp	RPM	Bhp	RPM	Bhp	RPM	Bhp	RPM	Bhp	RPM	Bhp	RPM	Bhp	RPM	Bhp	RPM	Bhp	
600	265	660	0.03	792	0.05	1019	0.10													
		4.1		5.1		6.9														
750	331	760	0.05	874	0.07	1073	0.13	1254	0.19											
		4.8		5.8		7.1		8.4												
900	398	864	0.07	967	0.10	1146	0.16	1305	0.23	1459	0.30									
		5.8		6.4		7.5		8.6		10.2										
1050	464	973	0.09	1067	0.13	1230	0.20	1378	0.27	1512	0.36	1646	0.44	1770	0.53					
		6.6		7.0		8.0		9.1		10.3		12.0		14.0						
1200	530	1085	0.13	1171	0.17	1321	0.24	1457	0.32	1585	0.41	1703	0.51	1820	0.61	1933	0.71	2039	0.81	
		7.2		7.7		8.6		9.6		10.8		12.0		13.6		15.3		17.2		
1350	597	1199	0.17	1277	0.22	1419	0.30	1545	0.39	1662	0.48	1777	0.58	1883	0.69	1984	0.80	2089	0.91	
		8.1		8.5		9.4		10.3		11.4		12.5		13.6		15.1		16.7		
1500	663	1316	0.23	1387	0.27	1520	0.37	1637	0.46	1749	0.59	1853	0.67	1957	0.78	2054	0.90	2146	1.02	
		9.0		9.4		10.2		11.2		12.2		13.2		14.3		15.5		16.9		
1650	730	1434	0.29	1499	0.34	1623	0.44	1736	0.55	1839	0.65	1940	0.77	2034	0.88	2128	1.00	2219	1.13	
		10.0		10.4		11.3		12.3		13.2		14.3		15.3		16.5		17.8		
1800	796	1552	0.37	1613	0.42	1729	0.54	1836	0.65	1935	0.76	2029	0.88	2121	1.00	2207	1.13	2293	1.26	
		11.2		11.5		12.5		13.4		14.4		15.4		16.5		17.7		19.0		
1950	862	1672	0.45	1728	0.52	1836	0.64	1939	0.76	2034	0.88	2123	1.00	2209	1.13	2294	1.27			
		12.4		12.9		13.8		14.7		15.6		16.7		17.8		19.0				
2100	929	1792	0.56	1844	0.62	1947	0.76	2044	0.89	2135	1.02	2221	1.15	2302	1.28					
		13.8		14.2		15.1		16.1		17.0		18.1		19.2						
2250	995	1913	0.67	1962	0.75	2058	0.89	2150	1.03	2238	1.17	2321	1.31							
		15.2		15.7		16.7		17.7		18.6		19.6								
2400	1061	2034	0.81	2080	0.88	2171	1.04	2258	1.19	2342	1.33									
		16.9		17.4		18.4		19.4		20										
2550	1128	2155	0.95	2199	1.04	2285	1.20													
		18.7		19.2		20														
2700	1194	2277	1.12	2319	1.21															
		21		21																

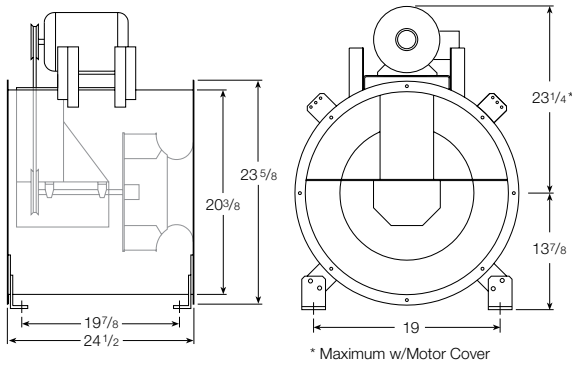
Performance certified is for installation Type B Free inlet, Ducted outlet. Power rating (Bhp) does not include transmission losses. Performance ratings do not include the effects of appurtenances (accessories).

The sound ratings shown are loudness values in fan sones at 5 ft. (1.5 m) in a hemispherical free field calculated per AMCA Standard 301. Values shown are for installation Type B Free inlet hemispherical sone levels.

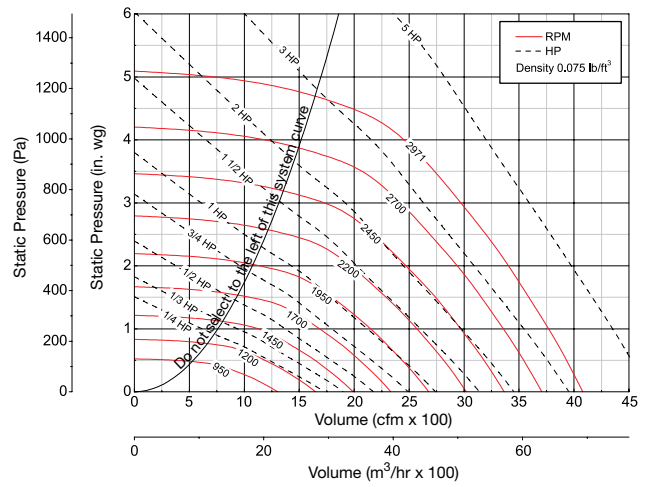
Inline Fans

Performance and Dimensional Data

XTIF-2-13 - Level 2 Construction



Maximum rpm = 2971
 Outlet Velocity (ft/min) = cfm x 0.442
 Tip Speed (ft/min) = rpm x 3.53
 Maximum Bhp at a given rpm = (rpm/1933)³
 Max Motor Frame Size = 182T
 Housing = 12 ga. Steel Construction
 0.125 in. (3.175 mm) Aluminum Construction
 Shaft Diameter = 1 in. (25 mm)



All dimensions in inches.

cfm	OV	Static Pressure (in. wg)																	
		0.25		0.5		1		1.5		2		2.5		3		3.5		4	
		RPM	Bhp	RPM	Bhp	RPM	Bhp	RPM	Bhp	RPM	Bhp	RPM	Bhp	RPM	Bhp	RPM	Bhp	RPM	Bhp
800	353	828	0.08	1026	0.14	1379	0.30												
		3.8		5.6		10.4													
1000	442	934	0.11	1108	0.18	1418	0.35	1692	0.55										
		4.4		6.0		10.1		13.5											
1200	530	1048	0.16	1206	0.24	1479	0.42	1731	0.64	1961	0.87								
		5.8		7.2		10.1		13.0		16.5									
1400	619	1171	0.22	1313	0.31	1562	0.51	1784	0.73	2002	0.99	2201	1.26	2391	1.55				
		7.5		8.7		10.6		12.8		16.0		18.9		22					
1600	707	1300	0.30	1424	0.40	1657	0.62	1865	0.86	2053	1.12	2247	1.41	2425	1.71	2596	2.03	2759	2.37
		9.7		10.0		11.5		13.3		15.6		18.4		21		24		27	
1800	796	1431	0.39	1545	0.51	1759	0.75	1950	1.01	2134	1.29	2300	1.57	2472	1.89	2636	2.23	2790	2.58
		11.4		11.3		12.5		14.4		16.0		18.1		21		24		26	
2000	884	1565	0.51	1669	0.63	1868	0.90	2050	1.18	2217	1.48	2381	1.78	2531	2.10	2683	2.44	2836	2.82
		12.7		12.7		13.7		15.7		17.0		18.6		21		23		26	
2200	973	1700	0.64	1797	0.78	1979	1.07	2152	1.38	2312	1.69	2464	2.02	2612	2.36	2750	2.70	2883	3.06
		14.2		14.5		15.6		16.9		18.3		19.8		21		23		26	
2400	1061	1836	0.81	1928	0.96	2097	1.27	2260	1.60	2413	1.94	2556	2.28	2695	2.64	2831	3.01	2959	3.38
		16.4		16.9		17.4		18.2		19.7		21		23		24		26	
2600	1150	1975	1.00	2060	1.16	2219	1.50	2371	1.85	2517	2.21	2656	2.57	2785	2.95	2914	3.34		
		19.0		19.2		19.3		19.6		21		23		24		26			
2800	1238	2115	1.22	2194	1.40	2343	1.75	2484	2.12	2626	2.51	2758	2.90	2885	3.30				
		21		21		21		22		23		24		26					
3000	1327	2256	1.48	2329	1.66	2470	2.04	2605	2.43	2737	2.84	2864	3.25						
		24		24		24		24		25		26							
3200	1415	2397	1.77	2464	1.96	2600	2.36	2728	2.78	2849	3.20								
		26		26		26		27		27									
3400	1504	2539	2.10	2601	2.30	2731	2.72	2852	3.16	2969	3.61								
		29		29		30		30		30									
3600	1592	2681	2.47	2739	2.67	2863	3.12												
		33		33		33													

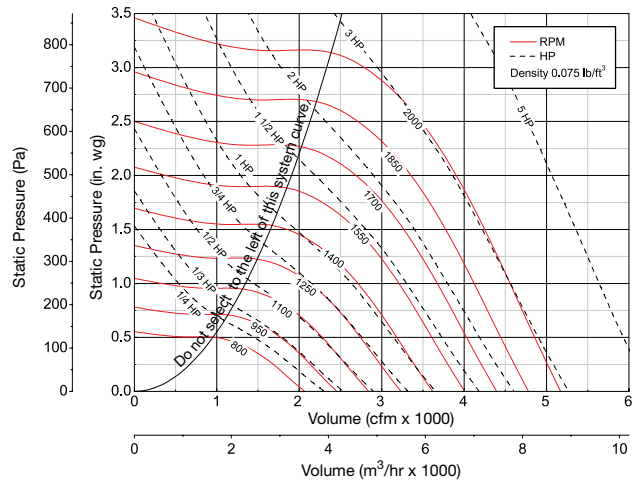
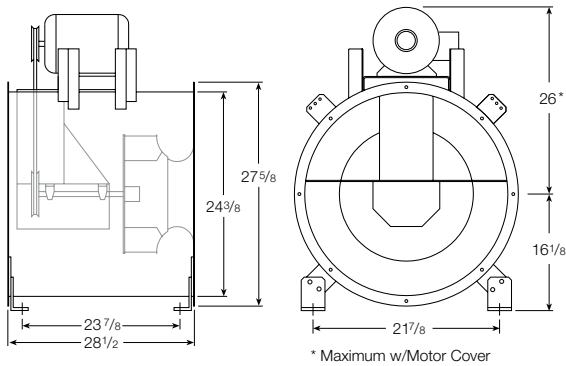
Performance certified is for installation Type B Free inlet, Ducted outlet. Power rating (Bhp) does not include transmission losses. Performance ratings do not include the effects of appurtenances (accessories).

The sound ratings shown are loudness values in fan sones at 5 ft. (1.5 m) in a hemispherical free field calculated per AMCA Standard 301. Values shown are for installation Type B Free inlet hemispherical sone levels.

Inline Fans

Performance and Dimensional Data

XTIF-1-16 - Level 1 Construction



- Maximum rpm = 2000
- Outlet Velocity (ft/min) = cfm x 0.309
- Tip Speed (ft/min) = rpm x 4.384
- Maximum Bhp at a given rpm = (rpm/1375)³
- Max Motor Frame Size = 182T
- Housing = 12 ga. Steel Construction
- 0.125 in. (3.175 mm) Aluminum Construction
- Shaft Diameter = 1 in. (25 mm)

All dimensions in inches.

cfm	OV	Static Pressure (in. wg)																	
		0.125		0.25		0.5		0.75		1		1.25		1.5		1.75		2	
		RPM	Bhp	RPM	Bhp	RPM	Bhp	RPM	Bhp	RPM	Bhp	RPM	Bhp	RPM	Bhp	RPM	Bhp	RPM	Bhp
1000	308	507	0.05	612	0.09	802	0.17												
		3.7		4.3		5.9													
1250	385	584	0.08	671	0.12	833	0.21	985	0.32										
		4.5		4.9		6.2		8.1											
1500	462	668	0.11	743	0.16	884	0.26	1016	0.38	1145	0.52								
		5.4		5.8		6.9		8.4		10.3									
1750	540	755	0.16	821	0.21	944	0.32	1065	0.45	1176	0.59	1289	0.75	1392	0.91				
		6.4		6.8		7.9		9.3		10.5		12.0		13.6					
2000	617	844	0.22	904	0.28	1014	0.40	1119	0.54	1225	0.69	1322	0.85	1422	1.02	1517	1.20	1605	1.39
		7.6		8.1		9.2		10.4		11.3		12.4		14.0		15.7		17.5	
2250	694	934	0.30	989	0.36	1090	0.49	1185	0.64	1278	0.80	1373	0.97	1460	1.15	1547	1.34	1635	1.54
		8.9		9.4		10.7		11.4		12.3		13.3		14.6		16.1		17.9	
2500	771	1026	0.39	1077	0.47	1169	0.61	1257	0.76	1342	0.92	1425	1.10	1511	1.30	1591	1.49	1666	1.70
		10.4		11.0		11.9		12.6		13.4		14.4		15.6		16.9		18.4	
2750	848	1118	0.51	1166	0.59	1252	0.74	1334	0.91	1411	1.07	1489	1.26	1564	1.46	1643	1.67	1717	1.88
		12.1		12.4		13.1		13.8		14.7		15.7		16.8		18.1		19.4	
3000	925	1210	0.64	1256	0.73	1337	0.90	1412	1.07	1486	1.25	1556	1.44	1627	1.65	1695	1.86	1769	2.09
		13.4		13.8		14.5		15.2		16.1		17.1		18.3		19.4		21	
3250	1003	1303	0.80	1347	0.90	1423	1.08	1494	1.27	1563	1.46	1630	1.66	1695	1.86	1760	2.09	1823	2.32
		14.9		15.3		16.1		16.9		17.7		18.7		19.9		21		22	
3500	1080	1397	0.98	1438	1.09	1511	1.28	1578	1.48	1642	1.69	1706	1.90	1768	2.11	1828	2.33	1889	2.58
		16.6		17.0		17.9		18.7		19.5		21		22		23		24	
3750	1157	1491	1.19	1530	1.30	1599	1.52	1663	1.73	1725	1.94	1784	2.16	1844	2.39	1900	2.62	1956	2.86
		18.5		18.9		19.7		21		22		23		24		25		27	
4000	1234	1585	1.43	1622	1.55	1689	1.78	1750	2.00	1809	2.23	1865	2.46	1921	2.70	1976	2.95		
		20		21		22		23		24		25		26		28			
4250	1311	1680	1.70	1714	1.83	1779	2.07	1838	2.31	1893	2.55	1948	2.80	1999	3.04				
		23		23		24		25		26		28		29					
4500	1388	1775	2.00	1807	2.14	1869	2.40	1926	2.65	1979	2.91								
		25		26		27		28		30									

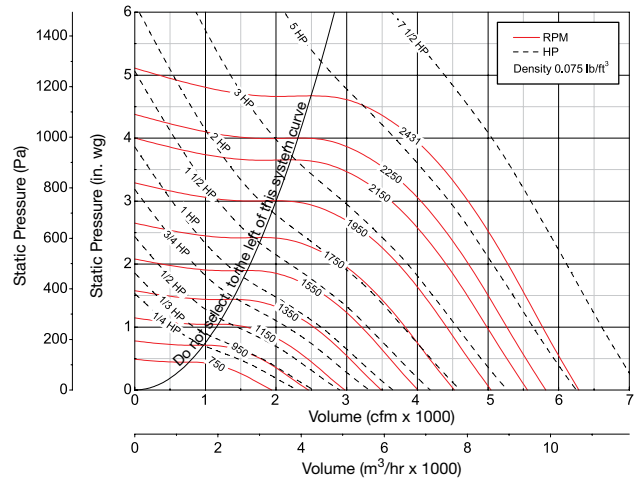
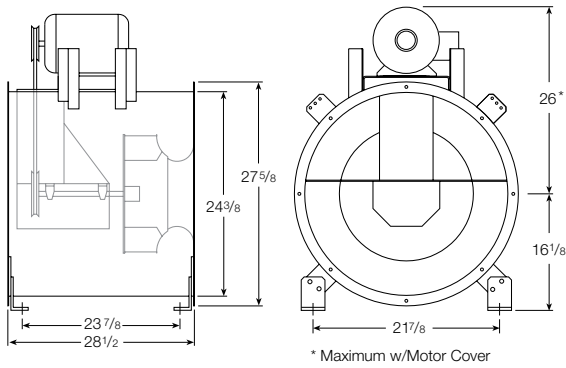
Performance certified is for installation Type B Free inlet, Ducted outlet. Power rating (Bhp) does not include transmission losses. Performance ratings do not include the effects of appurtenances (accessories).

The sound ratings shown are loudness values in fan sones at 5 ft. (1.5 m) in a hemispherical free field calculated per AMCA Standard 301. Values shown are for installation Type B Free inlet hemispherical sone levels.

Inline Fans

Performance and Dimensional Data

XTIF-2-16 - Level 2 Construction



- Maximum rpm = 2431
- Outlet Velocity (ft/min) = cfm x 0.309
- Tip Speed (ft/min) = rpm x 4.32
- Maximum Bhp at a given rpm = (rpm/1406)³
- Max Motor Frame Size = 184T
- Housing = 12 ga. Steel Construction
- 0.125 in. (3.175 mm) Aluminum Construction
- Shaft Diameter = 1 3/8 in. (30 mm)

All dimensions in inches.

cfm	OV	Static Pressure (in. wg)																	
		0.25		0.5		1		1.5		2		2.5		3		3.5		4	
		RPM	Bhp	RPM	Bhp	RPM	Bhp	RPM	Bhp	RPM	Bhp	RPM	Bhp	RPM	Bhp	RPM	Bhp	RPM	Bhp
1200	370	668	0.11	842	0.20	1137	0.41												
		4.6		6.1		10.4													
1500	462	749	0.15	899	0.25	1166	0.49	1395	0.77										
		5.5		6.8		10.2		13.8											
1800	555	843	0.21	969	0.33	1208	0.59	1424	0.89	1616	1.21								
		7.1		7.7		10.4		13.5		16.8									
2100	648	944	0.30	1053	0.42	1268	0.71	1461	1.03	1647	1.38	1813	1.75	1972	2.15				
		8.3		8.8		11.1		13.4		16.6		19.6		22					
2400	740	1047	0.40	1144	0.54	1336	0.85	1518	1.20	1684	1.57	1847	1.97	1996	2.38	2140	2.83	2275	3.29
		9.9		10.5		12.0		14.0		16.6		19.5		22		25		27	
2700	833	1152	0.53	1243	0.68	1412	1.01	1579	1.39	1739	1.79	1885	2.21	2033	2.66	2169	3.12	2297	3.59
		11.6		12.2		13.2		15.0		17.1		19.5		22		25		28	
3000	925	1260	0.69	1345	0.86	1498	1.21	1651	1.61	1799	2.04	1941	2.48	2070	2.95	2206	3.44	2333	3.94
		13.2		13.6		14.4		16.2		18.2		20		23		25		28	
3300	1018	1373	0.89	1448	1.07	1588	1.44	1727	1.86	1866	2.31	2001	2.79	2129	3.28	2247	3.79	2370	4.32
		14.7		15.1		16.1		17.7		19.5		22		24		26		29	
3600	1111	1486	1.12	1553	1.31	1686	1.71	1813	2.15	1939	2.62	2065	3.12	2188	3.65	2306	4.18	2416	4.73
		16.6		17.1		18.2		19.3		21		23		25		28		30	
3900	1203	1600	1.40	1658	1.59	1786	2.02	1900	2.47	2020	2.97	2138	3.49	2252	4.04	2366	4.61		
		18.9		19.4		20		21		23		25		27		29			
4200	1296	1715	1.72	1766	1.91	1888	2.38	1996	2.85	2106	3.36	2213	3.90	2324	4.48	2430	5.08		
		21		21		22		23		24		26		29		31			
4500	1388	1831	2.08	1878	2.28	1990	2.77	2095	3.28	2193	3.80	2298	4.37	2398	4.96				
		23		23		24		25		27		28		31					
4800	1481	1946	2.50	1992	2.71	2094	3.22	2196	3.76	2289	4.30	2385	4.88						
		25		26		27		28		29		31							
5100	1574	2062	2.96	2105	3.19	2199	3.71	2297	4.29	2388	4.86								
		28		28		29		30		32									
5400	1666	2179	3.49	2219	3.73	2305	4.26	2399	4.87										
		30		31		32		33											

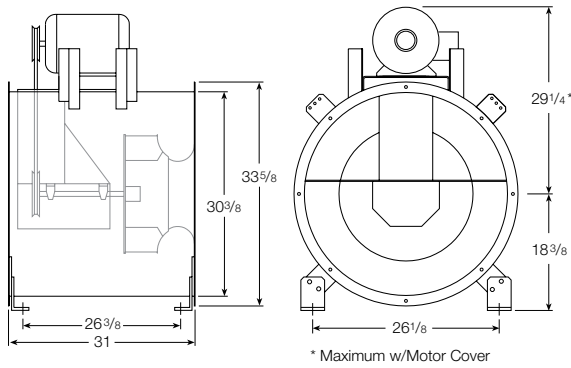
Performance certified is for installation Type B Free inlet, Ducted outlet. Power rating (Bhp) does not include transmission losses. Performance ratings do not include the effects of appurtenances (accessories).

The sound ratings shown are loudness values in fan sones at 5 ft. (1.5 m) in a hemispherical free field calculated per AMCA Standard 301. Values shown are for installation Type B Free inlet hemispherical sone levels.

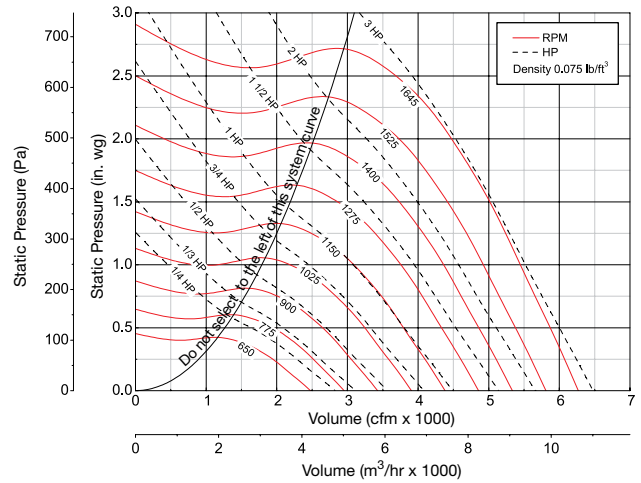
Inline Fans

Performance and Dimensional Data

XTIF-1-18 - Level 1 Construction



Maximum rpm = 1645
 Outlet Velocity (ft/min) = cfm x 0.199
 Tip Speed (ft/min) = rpm x 4.843
 Maximum Bhp at a given rpm = (rpm/1147)³
 Max Motor Frame Size = 182T
 Housing = 12 ga. Steel Construction
 0.125 in. (3.175 mm) Aluminum Construction
 Shaft Diameter = 1 in. (25 mm)



All dimensions in inches.

cfm	OV	Static Pressure (in. wg)																	
		0.125		0.25		0.5		0.75		1		1.25		1.5		1.75		2	
		RPM	Bhp	RPM	Bhp	RPM	Bhp	RPM	Bhp	RPM	Bhp	RPM	Bhp	RPM	Bhp	RPM	Bhp	RPM	Bhp
1500	298	486	0.08	568	0.12	724	0.23												
		4.3		4.9		6.2													
1800	357	552	0.11	623	0.16	755	0.28	883	0.42										
		5.4		5.7		6.7		8.1											
2100	417	622	0.16	683	0.21	799	0.34	911	0.48	1022	0.65	1123	0.82						
		6.7		6.8		7.7		8.5		9.9		11.6							
2400	477	693	0.21	749	0.28	852	0.41	950	0.56	1048	0.73	1147	0.92	1238	1.12	1322	1.33		
		8.0		8.1		9.0		9.5		10.3		12.0		13.5		14.8			
2700	536	765	0.29	817	0.36	911	0.50	1001	0.66	1088	0.84	1174	1.03	1262	1.24	1346	1.46	1424	1.69
		9.1		9.4		10.3		10.5		11.3		12.5		13.8		15.0		16.4	
3000	596	838	0.37	887	0.45	972	0.61	1056	0.78	1136	0.97	1214	1.17	1292	1.38	1369	1.61	1448	1.85
		10.2		10.6		11.1		11.5		12.2		13.3		14.2		15.3		16.6	
3300	656	912	0.48	957	0.57	1038	0.74	1115	0.92	1187	1.11	1261	1.32	1331	1.54	1403	1.77	1472	2.02
		11.2		11.4		12.0		12.6		13.3		14.1		14.9		15.8		16.8	
3600	715	987	0.61	1029	0.70	1105	0.89	1176	1.08	1246	1.28	1312	1.49	1379	1.72	1443	1.96	1510	2.22
		12.1		12.5		13.1		13.8		14.5		15.2		16.0		16.8		17.8	
3900	775	1063	0.75	1102	0.85	1174	1.06	1239	1.26	1305	1.47	1368	1.70	1430	1.93	1491	2.18	1549	2.44
		13.3		13.7		14.3		14.9		15.7		16.5		17.3		18.1		18.9	
4200	834	1139	0.92	1175	1.03	1244	1.25	1307	1.47	1366	1.69	1428	1.93	1485	2.17	1542	2.43	1599	2.69
		14.6		14.9		15.5		16.3		17.1		17.9		18.7		19.5		20	
4500	894	1215	1.12	1249	1.24	1315	1.47	1375	1.70	1430	1.93	1488	2.18	1544	2.44	1597	2.70		
		16.0		16.2		16.9		17.6		18.5		19.4		20		21			
4800	954	1292	1.34	1323	1.47	1386	1.72	1444	1.97	1498	2.21	1549	2.46	1604	2.73				
		17.1		17.4		18.1		19.0		19.9		21		22					
5100	1013	1369	1.59	1399	1.72	1458	1.99	1513	2.26	1565	2.52	1615	2.78						
		18.4		18.7		19.5		20		21		23							
5400	1073	1446	1.88	1474	2.01	1530	2.29	1584	2.58	1634	2.85								
		19.7		20		21		22		23									
5700	1133	1523	2.19	1550	2.33	1603	2.63												
		21		22		22													

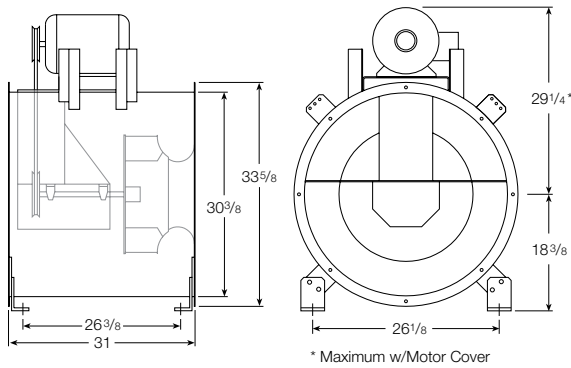
Performance certified is for installation Type B Free inlet, Ducted outlet. Power rating (Bhp) does not include transmission losses. Performance ratings do not include the effects of appurtenances (accessories).

The sound ratings shown are loudness values in fan sones at 5 ft. (1.5 m) in a hemispherical free field calculated per AMCA Standard 301. Values shown are for installation Type B Free inlet hemispherical sone levels.

Inline Fans

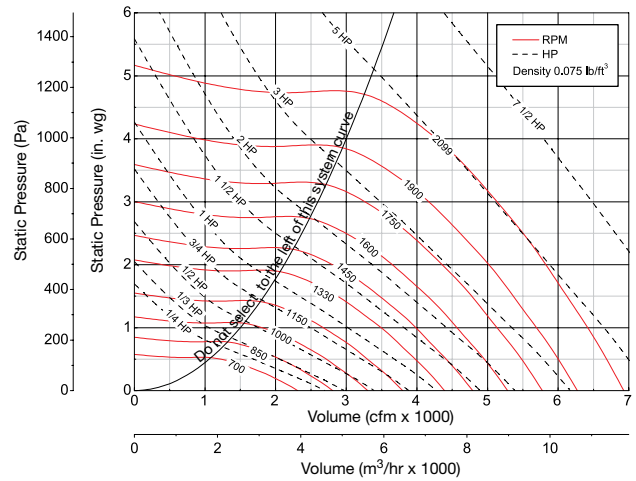
Performance and Dimensional Data

XTIF-2-18 - Level 2 Construction



- Maximum rpm = 2099
- Outlet Velocity (ft/min) = cfm x 0.199
- Tip Speed (ft/min) = rpm x 4.78
- Maximum Bhp at a given rpm = $(rpm/1224)^3$
- Max Motor Frame Size = 184T
- Housing = 12 ga. Steel Construction
- 0.125 in. (3.175 mm) Aluminum Construction
- Shaft Diameter = 1 3/8 in. (30 mm)

All dimensions in inches.



cfm	OV	Static Pressure (in. wg)																	
		0.25		0.5		1		1.5		2		2.5		3		3.5		4	
		RPM	Bhp	RPM	Bhp	RPM	Bhp	RPM	Bhp	RPM	Bhp	RPM	Bhp	RPM	Bhp	RPM	Bhp	RPM	Bhp
1400	278	588	0.11	725	0.20														
		5.2		6.2															
1750	347	666	0.16	785	0.26	995	0.50												
		6.8		7.5		9.4													
2100	417	752	0.23	857	0.34	1045	0.61	1214	0.90	1369	1.22								
		9.6		8.9		10.1		12.5		15.2									
2450	487	843	0.31	936	0.44	1105	0.73	1259	1.05	1404	1.40	1536	1.76						
		11.2		10.4		11.3		13.1		15.7		17.9							
2800	556	937	0.42	1021	0.57	1177	0.89	1318	1.23	1450	1.61	1577	2.00	1697	2.41	1812	2.83		
		12.6		12.1		12.9		14.5		16.7		18.4		20		23			
3150	626	1033	0.55	1110	0.72	1253	1.07	1384	1.44	1508	1.84	1624	2.26	1738	2.70	1847	3.15	1949	3.62
		13.9		13.9		14.6		16.3		17.8		19.1		21		23		25	
3500	695	1131	0.71	1202	0.90	1333	1.28	1457	1.69	1571	2.11	1682	2.55	1787	3.02	1889	3.50	1991	4.00
		15.7		15.8		16.6		18.5		19.3		20		21		23		26	
3850	765	1230	0.91	1296	1.11	1416	1.52	1532	1.96	1642	2.41	1743	2.88	1845	3.37	1942	3.88	2032	4.40
		17.7		18.0		19.1		20		21		22		23		24		26	
4200	834	1331	1.14	1391	1.35	1505	1.80	1612	2.27	1715	2.75	1815	3.25	1906	3.76	2000	4.30	2090	4.85
		20		21		21		22		23		24		25		26		28	
4550	904	1433	1.41	1488	1.64	1595	2.12	1694	2.62	1793	3.14	1887	3.67	1977	4.21	2062	4.76		
		23		23		23		24		24		25		27		28			
4900	974	1535	1.73	1585	1.96	1687	2.48	1781	3.01	1873	3.56	1963	4.12	2050	4.69				
		25		25		25		26		26		27		29					
5250	1043	1638	2.09	1683	2.33	1781	2.89	1871	3.45	1955	4.03	2042	4.62						
		27		27		27		28		28		30							
5600	1113	1741	2.50	1784	2.76	1875	3.34	1961	3.94	2042	4.54								
		29		29		29		30		31									
5950	1182	1844	2.96	1885	3.24	1971	3.84	2053	4.48										
		31		31		31		33											
6300	1252	1948	3.48	1987	3.77	2067	4.40												
		33		33		34													

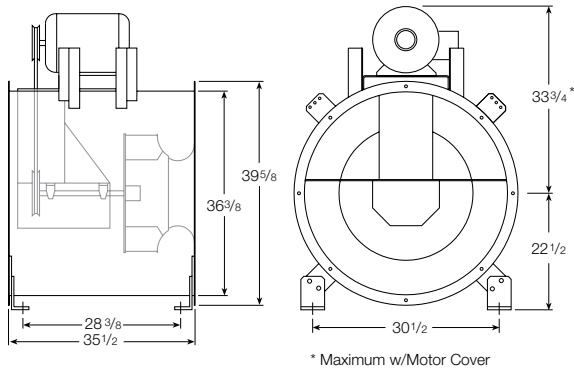
Performance certified is for installation Type B Free inlet, Ducted outlet. Power rating (Bhp) does not include transmission losses. Performance ratings do not include the effects of appurtenances (accessories).

The sound ratings shown are loudness values in fan sones at 5 ft. (1.5 m) in a hemispherical free field calculated per AMCA Standard 301. Values shown are for installation Type B Free inlet hemispherical sone levels.

Inline Fans

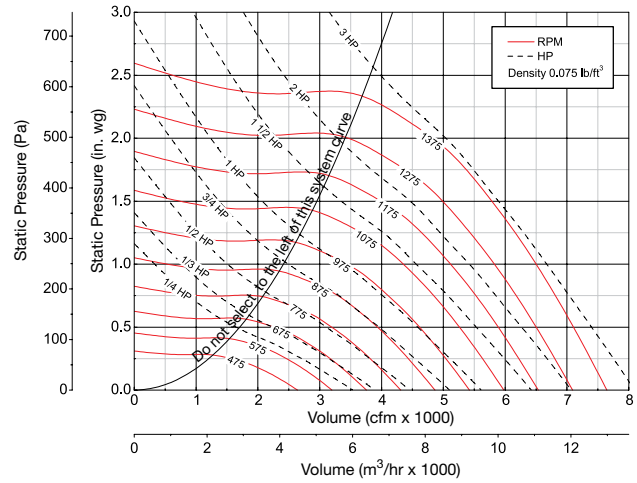
Performance and Dimensional Data

XTIF-1-22 - Level 1 Construction



- Maximum rpm = 1375
- Outlet Velocity (ft/min) = cfm x 0.199
- Tip Speed (ft/min) = rpm x 5.595
- Maximum Bhp at a given rpm = (rpm/962)³
- Max Motor Frame Size = 182T
- Housing = 10 ga. Steel Construction
- 0.125 in. (3.175 mm) Aluminum Construction
- Shaft Diameter = 1 in. (25 mm)

All dimensions in inches.



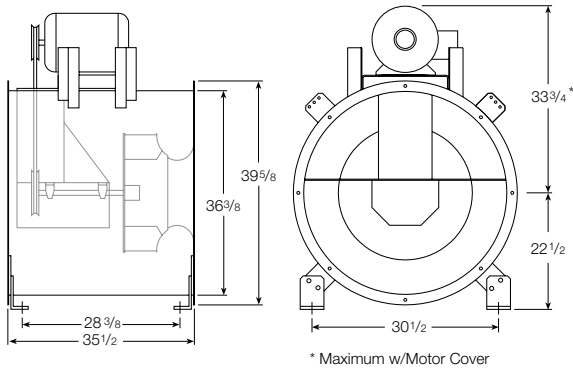
cfm	OV	Static Pressure (in. wg)																	
		0.125		0.25		0.5		0.75		1		1.25		1.5		1.75		2	
		RPM	Bhp	RPM	Bhp	RPM	Bhp	RPM	Bhp	RPM	Bhp	RPM	Bhp	RPM	Bhp	RPM	Bhp	RPM	Bhp
1600	221	388	0.07	477	0.12														
		3.2	4.5																
2000	277	442	0.10	516	0.15	656	0.30												
		3.9	5.0	6.7															
2400	332	502	0.14	566	0.20	687	0.36	800	0.54	900	0.73								
		4.9	5.6	6.9	8.6	10.4													
2800	387	564	0.19	621	0.27	727	0.43	829	0.62	926	0.83	1013	1.05						
		6.0	6.4	7.6	8.6	10.3	12.1												
3200	443	629	0.26	680	0.34	776	0.52	865	0.72	955	0.95	1039	1.19	1119	1.44	1192	1.69		
		7.1	7.5	8.3	9.3	10.5	12.3	14.2	16.3										
3600	498	695	0.35	741	0.44	829	0.63	911	0.85	991	1.08	1070	1.34	1145	1.60	1218	1.88	1286	2.16
		8.5	8.7	9.2	10.2	11.4	12.7	14.5	16.5	19.0									
4000	554	762	0.46	804	0.56	884	0.76	960	0.99	1033	1.23	1105	1.49	1177	1.78	1244	2.08	1312	2.38
		9.7	9.8	10.3	11.4	12.6	14.0	15.1	16.6	18.9									
4400	609	831	0.59	869	0.70	943	0.92	1014	1.16	1082	1.42	1147	1.68	1213	1.97	1278	2.29	1340	2.61
		10.9	11.1	11.8	12.9	14.2	15.3	16.3	17.4	18.9									
4800	664	900	0.74	935	0.86	1004	1.10	1068	1.35	1133	1.63	1195	1.91	1254	2.20	1314	2.51		
		12.4	12.6	13.5	14.6	15.9	16.8	17.7	18.8										
5200	720	969	0.92	1002	1.05	1065	1.31	1127	1.58	1187	1.86	1244	2.16	1302	2.47	1356	2.78		
		14.0	14.3	15.2	16.6	17.4	18.3	19.3	20										
5600	775	1038	1.13	1069	1.26	1129	1.54	1187	1.83	1242	2.12	1298	2.44	1351	2.77				
		15.8	16.3	17.3	18.1	19	20	21											
6000	831	1108	1.36	1137	1.51	1193	1.81	1248	2.11	1301	2.42	1352	2.75						
		17.9	18.2	18.9	19.8	21	22												
6400	886	1178	1.63	1206	1.79	1259	2.10	1309	2.43	1361	2.76								
		19.3	19.7	21	22	23													
6800	941	1249	1.94	1274	2.10	1325	2.43	1373	2.78										
		21	21	22	24														
7200	997	1319	2.28	1344	2.45														
		23	23																

Performance certified is for installation Type B Free inlet, Ducted outlet. Power rating (Bhp) does not include transmission losses. Performance ratings do not include the effects of appurtenances (accessories).

The sound ratings shown are loudness values in fan sones at 5 ft. (1.5 m) in a hemispherical free field calculated per AMCA Standard 301. Values shown are for installation Type B Free inlet hemispherical sone levels.

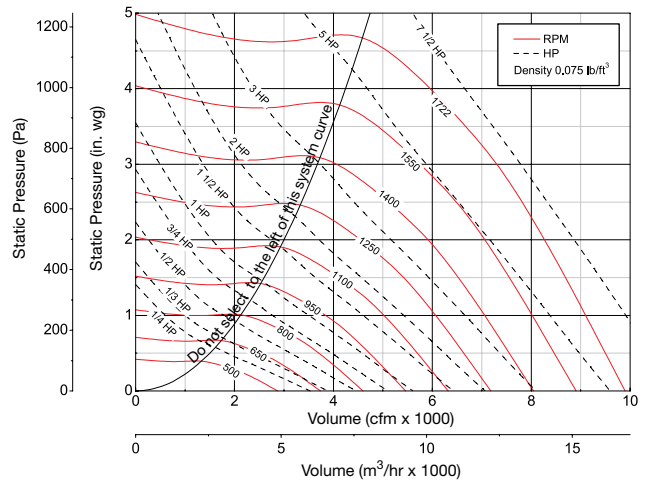
Inline Fans

Performance and Dimensional Data XTIF-2-22 - Level 2 Construction



- Maximum rpm = 1722
- Outlet Velocity (ft/min) = cfm x 0.139
- Tip Speed (ft/min) = rpm x 5.83
- Maximum Bhp at a given rpm = (rpm/910)³
- Max Motor Frame Size = 213T
- Housing = 10 ga. Steel Construction
- 0.125 in. (3.175 mm) Aluminum Construction
- Shaft Diameter = 1 1/8 in. (37 mm)

All dimensions in inches.



cfm	OV	Static Pressure (in. wg)																	
		0.25		0.5		1		1.5		2		2.5		3		3.5		4	
		RPM	Bhp	RPM	Bhp	RPM	Bhp	RPM	Bhp	RPM	Bhp	RPM	Bhp	RPM	Bhp	RPM	Bhp	RPM	Bhp
2000	277	484	0.15	598	0.27														
		4.7	5.5																
2500	346	549	0.22	648	0.36	823	0.67												
		6.4	6.5	9.4															
3000	415	620	0.30	705	0.47	863	0.82	1004	1.21	1127	1.61								
		7.6	7.8	10.0	12.2	14.6													
3500	484	695	0.42	771	0.60	913	1.00	1040	1.43	1162	1.88	1270	2.35						
		9.0	9.3	11.0	12.9	15.3	17.1												
4000	554	773	0.56	841	0.77	969	1.21	1089	1.68	1197	2.18	1305	2.69	1403	3.22	1493	3.76		
		10.8	11.0	12.4	14.2	16.0	17.7	19.7	22										
4500	623	853	0.74	915	0.97	1030	1.45	1141	1.96	1246	2.50	1341	3.07	1438	3.64	1528	4.23	1612	4.83
		12.8	12.9	14.0	15.8	17.1	18.4	20	22	25									
5000	692	933	0.96	991	1.21	1098	1.73	1199	2.28	1297	2.87	1390	3.47	1476	4.10	1563	4.73	1646	5.38
		14.6	14.8	16.0	17.5	18.4	19.5	21	23	25									
5500	761	1015	1.22	1069	1.49	1167	2.05	1261	2.65	1353	3.27	1440	3.92	1525	4.59	1604	5.27	1682	5.97
		16.6	17.0	18.4	19.0	19.7	21	22	24	26									
6000	831	1098	1.52	1148	1.82	1241	2.43	1328	3.06	1411	3.73	1495	4.42	1575	5.13	1653	5.85		
		18.7	19.3	20	20	21	22	24	25										
6500	900	1181	1.88	1228	2.20	1315	2.85	1396	3.53	1476	4.24	1553	4.97	1630	5.72	1704	6.49		
		21	21	22	22	23	24	25	27										
7000	969	1265	2.29	1309	2.64	1391	3.34	1468	4.06	1543	4.80	1614	5.57	1687	6.36				
		23	23	24	24	25	26	27											
7500	1038	1349	2.76	1390	3.14	1468	3.88	1542	4.64	1611	5.43	1681	6.24						
		25	25	26	26	27	28												
8000	1108	1433	3.30	1472	3.70	1546	4.49	1617	5.30	1683	6.13								
		27	28	28	29	29													
8500	1177	1518	3.90	1555	4.33	1626	5.17	1692	6.02										
		30	30	31	32														
9000	1246	1603	4.57	1638	5.03	1706	5.92												
		33	34	34															

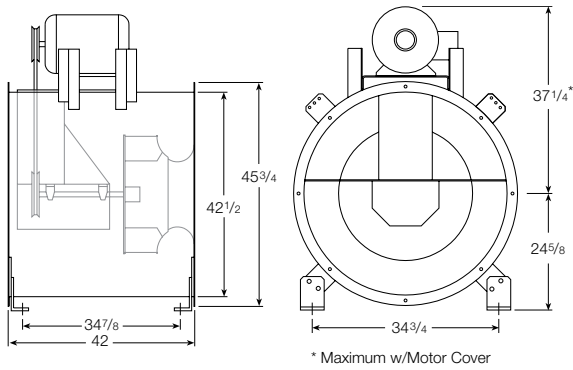
Performance certified is for installation Type B Free inlet, Ducted outlet. Power rating (Bhp) does not include transmission losses. Performance ratings do not include the effects of appurtenances (accessories).

The sound ratings shown are loudness values in fan sones at 5 ft. (1.5 m) in a hemispherical free field calculated per AMCA Standard 301. Values shown are for installation Type B Free inlet hemispherical sone levels.

Inline Fans

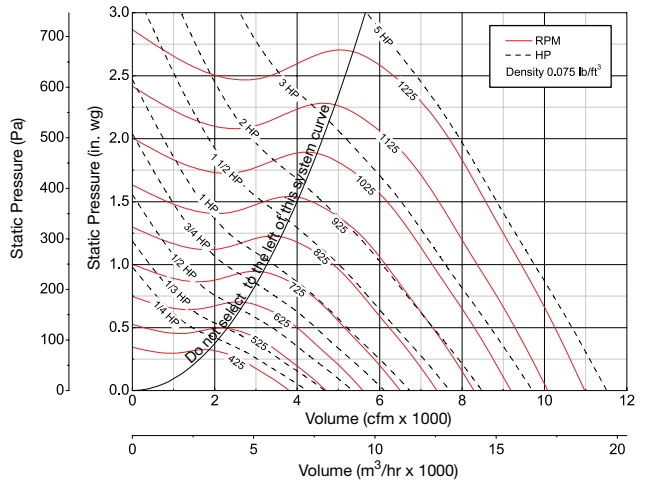
Performance and Dimensional Data

XTIF-1-24 - Level 1 Construction



Maximum rpm = 1225
 Outlet Velocity (ft/min) = cfm x 0.102
 Tip Speed (ft/min) = rpm x 6.414
 Maximum Bhp at a given rpm = (rpm/729)³
 Max Motor Frame Size = 184T
 Housing = 10 ga. Steel Construction
 0.125 in. (3.175 mm) Aluminum Construction
 Shaft Diameter = 1 in. (25 mm)

All dimensions in inches.



cfm	OV	Static Pressure (in. wg)																		
		0.125		0.25		0.5		0.75		1		1.25		1.5		1.75		2		
		RPM	Bhp	RPM	Bhp	RPM	Bhp	RPM	Bhp	RPM	Bhp	RPM	Bhp	RPM	Bhp	RPM	Bhp	RPM	Bhp	
2500	253	355	0.12	416	0.19	536	0.36													
		3.3		4.0		6.1														
3000	304	401	0.16	456	0.25	557	0.44	655	0.66											
		4.3		5.1		6.5		9.1												
3500	355	448	0.23	500	0.32	587	0.52	672	0.76	757	1.02									
		5.7		6.2		7.9		9.5		10.8										
4000	406	497	0.31	545	0.41	626	0.63	701	0.88	775	1.16	850	1.46							
		7.0		7.7		9.8		10.3		11.1		13.1								
4500	456	548	0.41	591	0.53	667	0.77	735	1.03	803	1.32	867	1.63	935	1.96	998	2.31			
		8.4		9.4		10.9		11.5		12.1		13.5		15.2		17.0				
5000	507	599	0.53	639	0.66	711	0.92	774	1.20	833	1.50	896	1.83	953	2.17	1015	2.54	1073	2.92	
		10.3		11.3		12.2		12.8		13.6		14.5		15.6		17.3		19.0		
5500	558	651	0.68	688	0.82	757	1.11	816	1.40	872	1.72	926	2.05	983	2.41	1035	2.79	1091	3.18	
		12.1		12.6		13.7		14.4		15.5		16.1		16.8		17.9		19.5		
6000	609	704	0.85	738	1.00	803	1.32	860	1.64	913	1.97	964	2.31	1013	2.68	1065	3.07	1114	3.48	
		13.6		14.1		15.2		16.6		17.1		17.7		18.3		19.2		20		
6500	659	757	1.05	789	1.22	850	1.55	905	1.90	955	2.25	1004	2.61	1050	2.99	1095	3.39	1144	3.82	
		15.1		15.7		17.2		18.4		18.8		19.3		20		21		22		
7000	710	811	1.29	840	1.46	897	1.82	951	2.20	1000	2.57	1045	2.95	1090	3.35	1132	3.75	1174	4.18	
		16.9		17.7		19.0		19.8		20		21		22		23		24		
7500	761	865	1.56	892	1.74	946	2.13	997	2.52	1045	2.92	1089	3.32	1130	3.73	1172	4.16	1212	4.60	
		19.1		19.7		20		21		22		23		24		25		26		
8000	812	919	1.87	944	2.06	995	2.47	1044	2.88	1091	3.31	1133	3.74	1173	4.17	1213	4.61			
		21		21		22		23		24		25		25		26				
8500	862	973	2.21	997	2.42	1046	2.85	1092	3.29	1137	3.74	1179	4.19	1218	4.64					
		22		23		23		24		25		27		28						
9000	913	1028	2.60	1051	2.82	1096	3.27	1140	3.73	1183	4.20	1224	4.69							
		24		24		25		26		27		29								
9500	964	1082	3.03	1104	3.26	1147	3.73	1189	4.22											
		25		26		27		28												

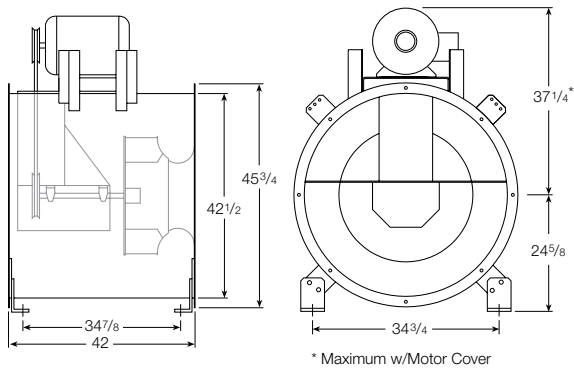
Performance certified is for installation Type B Free inlet, Ducted outlet. Power rating (Bhp) does not include transmission losses. Performance ratings do not include the effects of appurtenances (accessories).

The sound ratings shown are loudness values in fan sones at 5 ft. (1.5 m) in a hemispherical free field calculated per AMCA Standard 301. Values shown are for installation Type B Free inlet hemispherical sone levels.

Inline Fans

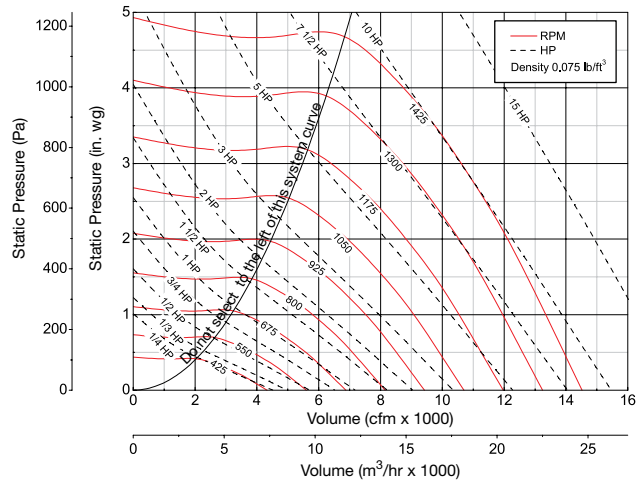
Performance and Dimensional Data

XTIF-2-24 - Level 2 Construction



- Maximum rpm = 1425
- Outlet Velocity (ft/min) = cfm x 0.102
- Tip Speed (ft/min) = rpm x 6.41
- Maximum Bhp at a given rpm = (rpm/661)³
- Max Motor Frame Size = 215T
- Housing = 10 ga. Steel Construction
- 0.125 in. (3.175 mm) Aluminum Construction
- Shaft Diameter = 1¹/₁₆ in. (43 mm)

All dimensions in inches.



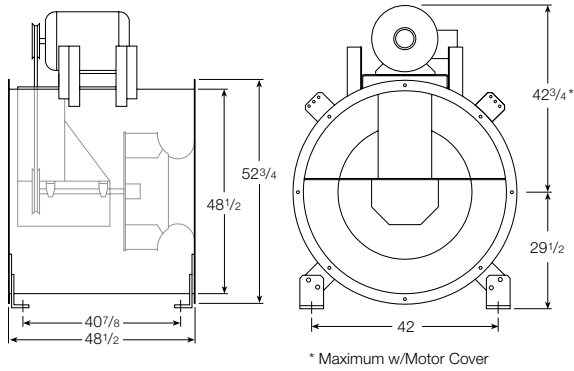
cfm	OV	Static Pressure (in. wg)																	
		0.25		0.5		1		1.5		2		2.5		3		3.5		4	
		RPM	Bhp	RPM	Bhp	RPM	Bhp	RPM	Bhp	RPM	Bhp	RPM	Bhp	RPM	Bhp	RPM	Bhp	RPM	Bhp
2800	284	393	0.21	489	0.39														
		5.4	6.7																
3500	355	443	0.30	528	0.50	672	0.97												
		7.0	7.9	10.2															
4200	426	497	0.42	572	0.65	703	1.17	820	1.74										
		8.5	9.3	11.0	13.8														
4900	497	555	0.57	623	0.83	743	1.41	849	2.04	949	2.71								
		10.5	11.2	12.5	14.7	17.9													
5600	568	616	0.76	676	1.05	786	1.69	887	2.37	978	3.10	1066	3.87	1146	4.66				
		12.7	12.9	14.1	16.2	18.5	21	23											
6300	639	679	0.99	733	1.32	834	2.01	928	2.76	1015	3.54	1095	4.36	1175	5.22	1248	6.10		
		14.7	14.9	16.1	18.2	19.5	21	23	26										
7000	710	742	1.28	792	1.64	886	2.39	973	3.19	1056	4.04	1133	4.92	1204	5.82	1277	6.77	1345	7.73
		16.5	16.8	18.2	20	21	22	24	26	29									
7700	781	806	1.62	852	2.01	939	2.83	1021	3.69	1098	4.58	1173	5.52	1243	6.49	1308	7.49	1374	8.52
		18.4	18.9	21	22	23	24	25	27	29									
8400	852	871	2.03	914	2.45	994	3.33	1072	4.25	1145	5.20	1214	6.19	1283	7.22	1347	8.28	1407	9.36
		21	21	23	23	24	25	27	28	30									
9100	923	937	2.50	977	2.95	1052	3.89	1125	4.87	1194	5.89	1260	6.94	1324	8.02	1387	9.14		
		23	24	24	25	26	27	29	30										
9800	994	1002	3.04	1040	3.53	1111	4.53	1179	5.57	1246	6.65	1308	7.76	1369	8.90				
		25	26	27	28	29	30	31											
10500	1065	1069	3.66	1105	4.19	1171	5.25	1235	6.35	1298	7.49	1359	8.66	1417	9.86				
		27	28	29	30	32	33	34											
11200	1137	1135	4.36	1169	4.93	1233	6.05	1293	7.22	1352	8.42	1411	9.65						
		30	31	32	33	35	36												
11900	1208	1202	5.15	1234	5.76	1295	6.95	1352	8.18	1408	9.44								
		33	34	35	36	38													
12600	1279	1269	6.04	1299	6.68	1358	7.94	1412	9.23										
		36	37	38	40														

Performance certified is for installation Type B Free inlet, Ducted outlet. Power rating (Bhp) does not include transmission losses. Performance ratings do not include the effects of appurtenances (accessories).

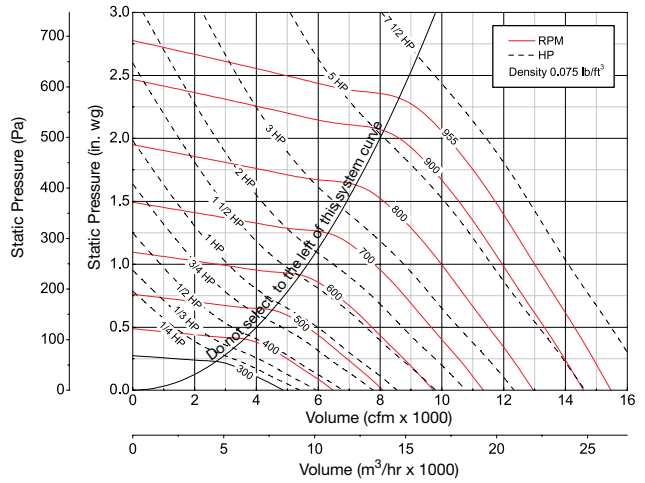
The sound ratings shown are loudness values in fan sones at 5 ft. (1.5 m) in a hemispherical free field calculated per AMCA Standard 301. Values shown are for installation Type B Free inlet hemispherical sone levels.

Inline Fans

Performance and Dimensional Data XTIF-1-30 - Level 1 Construction



Maximum rpm = 955
 Outlet Velocity (ft/min) = cfm x 0.078
 Tip Speed (ft/min) = rpm x 7.984
 Maximum Bhp at a given rpm = (rpm/514)³
 Max Motor Frame Size = 213T
 Housing = 10 ga. Steel Construction
 0.19 in. (4.826 mm) Aluminum Construction
 Shaft Diameter = 1 1/4 in. (31.75 mm)



All dimensions in inches.

cfm	OV	Static Pressure (in. wg)																	
		0.125		0.25		0.5		0.75		1		1.25		1.5		1.75		2	
		RPM	Bhp	RPM	Bhp	RPM	Bhp	RPM	Bhp	RPM	Bhp	RPM	Bhp	RPM	Bhp	RPM	Bhp	RPM	Bhp
3750	292	293	0.19	343	0.30														
		4.4	4.9																
4500	350	332	0.27	376	0.39	456	0.69												
		5.1	5.5	6.6															
5250	409	372	0.37	413	0.51	483	0.83	550	1.21										
		6.0	6.3	7.6	9.2														
6000	467	413	0.50	451	0.67	516	1.01	576	1.41	634	1.84								
		7.1	7.6	9.0	10.1	11.3													
6750	526	455	0.67	490	0.85	550	1.22	606	1.64	659	2.10	709	2.59						
		8.4	9.0	10.5	11.3	12.2	13.6												
7500	584	497	0.87	530	1.08	587	1.48	639	1.92	687	2.39	735	2.91	781	3.46	833	4.03		
		9.9	11.0	12.0	12.7	13.6	14.6	16.0	18.2										
8250	643	540	1.11	571	1.34	626	1.79	673	2.24	719	2.74	762	3.27	807	3.85	849	4.44	894	5.06
		12.3	12.6	13.5	14.3	15.3	16.2	17.6	19.1	21									
9000	701	584	1.39	613	1.64	665	2.13	710	2.62	753	3.13	795	3.70	833	4.27	875	4.90	913	5.55
		13.6	14.0	15.0	16.1	16.9	18.1	19.4	21	23									
9750	759	629	1.73	655	1.99	704	2.53	748	3.06	788	3.59	828	4.17	866	4.78	901	5.41	940	6.09
		15.0	15.5	16.6	17.7	18.8	20	22	23	25									
10500	818	673	2.11	698	2.39	745	2.97	787	3.55	826	4.12	862	4.70	899	5.34	934	6.00		
		16.5	17.0	18.1	19.5	21	22	24	26										
11250	876	718	2.56	740	2.85	785	3.48	826	4.09	864	4.70	899	5.31	932	5.95				
		18.1	18.5	20	22	23	25	27											
12000	935	763	3.06	784	3.37	827	4.03	866	4.69	902	5.35	936	6.00						
		19.7	20	22	24	26	28												
12750	993	808	3.63	828	3.95	868	4.65	906	5.36	941	6.05								
		22	23	25	27	29													
13500	1052	853	4.27	872	4.61	910	5.34	947	6.10										
		25	25	28	30														
14250	1110	898	4.98	916	5.34	953	6.10												
		28	29	31															

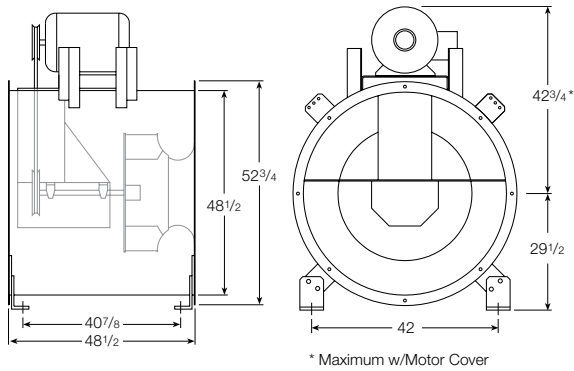
Performance certified is for installation Type B Free inlet, Ducted outlet. Power rating (Bhp) does not include transmission losses. Performance ratings do not include the effects of appurtenances (accessories).

The sound ratings shown are loudness values in fan sones at 5 ft. (1.5 m) in a hemispherical free field calculated per AMCA Standard 301. Values shown are for installation Type B Free inlet hemispherical sone levels.

Inline Fans

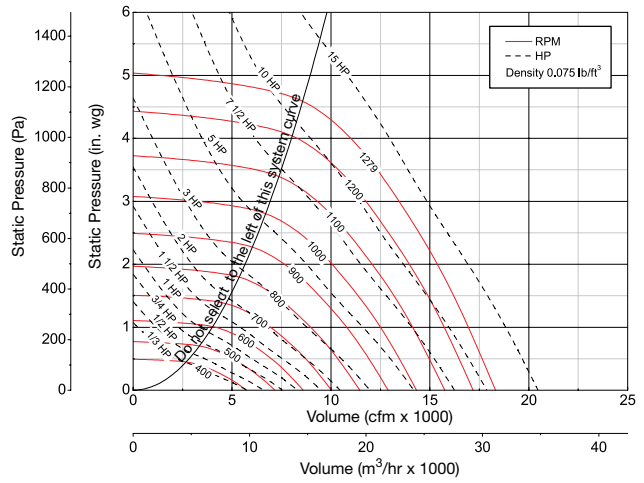
Performance and Dimensional Data

XTIF-2-30 - Level 2 Construction



Maximum rpm = 1279
 Outlet Velocity (ft/min) = cfm x 0.078
 Tip Speed (ft/min) = rpm x 7.85
 Maximum Bhp at a given rpm = (rpm/548)³
 Max Motor Frame Size = 254T
 Housing = 10 ga. Steel Construction
 0.19 in. (4.826 mm) Aluminum Construction
 Shaft Diameter = 1 5/16 in. (49 mm)

All dimensions in inches.



cfm	OV	Static Pressure (in. wg)																	
		0.25		0.5		1		1.5		2		2.5		3		3.5		4	
		RPM	Bhp	RPM	Bhp	RPM	Bhp	RPM	Bhp	RPM	Bhp	RPM	Bhp	RPM	Bhp	RPM	Bhp	RPM	Bhp
4000	311	375	0.32	456	0.56	597	1.14												
		5.9		6.3		9.5													
4800	374	417	0.44	489	0.71	618	1.33												
		6.8		7.3		9.8													
5600	436	461	0.58	527	0.90	644	1.57	749	2.35	844	3.19								
		8.0		8.4		10.5		13.6		17.2									
6400	498	509	0.76	569	1.11	675	1.85	772	2.66	863	3.58	945	4.54						
		9.5		9.8		11.6		13.8		17.6		21							
7200	561	558	0.99	611	1.37	712	2.19	802	3.05	886	3.99	967	5.03	1040	6.10				
		11.2		11.5		13.0		14.6		17.7		21		23					
8000	623	609	1.26	658	1.68	750	2.57	834	3.48	913	4.48	989	5.55	1062	6.69	1130	7.88	1195	9.11
		13.0		13.3		14.4		16.2		18.1		21		23		26		29	
8800	685	660	1.59	705	2.03	792	3.00	871	4.00	945	5.03	1016	6.14	1084	7.32	1152	8.58	1214	9.87
		15.1		15.2		16.2		18.0		19.5		21		23		26		29	
9600	748	712	1.97	753	2.45	834	3.49	909	4.58	979	5.66	1047	6.82	1111	8.04	1174	9.32	1237	10.7
		16.8		17.0		18.1		19.8		21		22		24		27		29	
10400	810	765	2.42	803	2.93	877	4.04	950	5.20	1017	6.38	1080	7.57	1142	8.85	1201	10.2	1259	11.5
		18.6		19.0		20		21		23		24		26		27		30	
11200	872	818	2.95	854	3.48	923	4.65	992	5.89	1055	7.17	1117	8.43	1174	9.72	1233	11.1		
		21		21		22		23		25		26		28		29			
12000	935	872	3.55	905	4.11	970	5.33	1034	6.67	1096	8.00	1155	9.37	1211	10.7	1265	12.1		
		23		23		24		25		26		28		30		32			
12800	997	926	4.23	957	4.81	1018	6.09	1078	7.49	1138	8.91	1194	10.4	1248	11.8				
		25		26		26		27		29		30		32					
13600	1060	980	4.99	1009	5.60	1067	6.94	1124	8.40	1181	9.91	1235	11.4						
		27		28		29		30		31		33							
14400	1122	1034	5.85	1062	6.49	1117	7.89	1171	9.40	1223	11.0	1277	12.6						
		30		31		32		33		34		36							
15200	1184	1089	6.80	1115	7.47	1168	8.94	1218	10.5	1269	12.2								
		33		34		35		36		38									

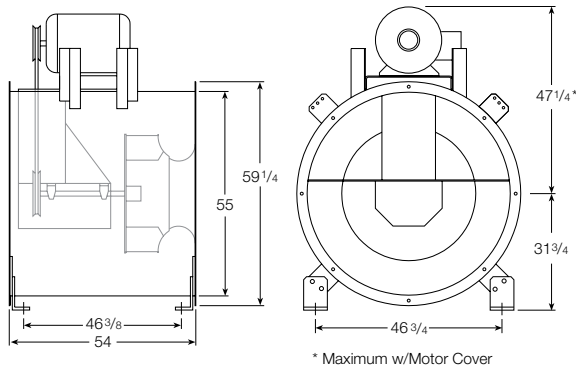
Performance certified is for installation Type B Free inlet, Ducted outlet. Power rating (Bhp) does not include transmission losses. Performance ratings do not include the effects of appurtenances (accessories).

The sound ratings shown are loudness values in fan sones at 5 ft. (1.5 m) in a hemispherical free field calculated per AMCA Standard 301. Values shown are for installation Type B Free inlet hemispherical sone levels.

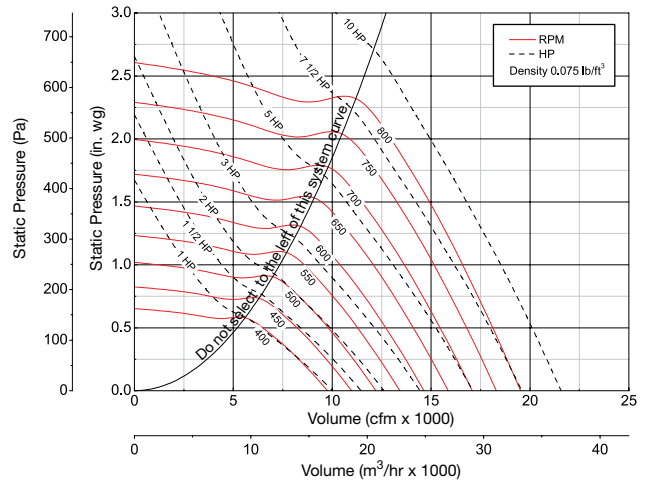
Inline Fans

Performance and Dimensional Data

XTIF-1-36 - Level 1 Construction



Maximum rpm = 800
 Outlet Velocity (ft/min) = cfm x 0.061
 Tip Speed (ft/min) = rpm x 9.424
 Maximum Bhp at a given rpm = (rpm/397)³
 Max Motor Frame Size = 215T
 Housing = 10 ga. Steel Construction
 0.19 in. (4.826 mm) Aluminum Construction
 Shaft Diameter = 1 1/2 in. (38.1 mm)



All dimensions in inches.

cfm	OV	Static Pressure (in. wg)																	
		0.125		0.25		0.5		0.75		1		1.25		1.5		1.75		2	
		RPM	Bhp	RPM	Bhp	RPM	Bhp	RPM	Bhp	RPM	Bhp	RPM	Bhp	RPM	Bhp	RPM	Bhp	RPM	Bhp
5600	339	273	0.32	311	0.48	379	0.86												
		5.4		6.5		8.1													
6400	387	301	0.42	336	0.60	398	1.01												
		6.5		7.7		8.7													
7200	436	330	0.55	362	0.75	420	1.18	473	1.67										
		8.0		8.5		9.5		10.6											
8000	484	360	0.70	389	0.92	443	1.39	491	1.90	539	2.46								
		9.2		9.5		10.4		11.6		12.9									
8800	533	390	0.89	417	1.12	468	1.62	514	2.17	557	2.75	599	3.37						
		10.5		10.8		11.6		12.9		14.4		16.1							
9600	581	420	1.11	446	1.35	493	1.89	537	2.47	577	3.08	617	3.73	655	4.41				
		12.0		12.3		13.0		14.5		16.1		17.3		17.8					
10400	630	451	1.37	475	1.63	519	2.20	561	2.80	600	3.45	636	4.12	673	4.84	708	5.57		
		13.8		13.9		14.7		16.4		18.1		18.5		19.0		19.6			
11200	678	482	1.66	505	1.94	547	2.54	586	3.18	623	3.86	659	4.57	692	5.30	727	6.07	759	6.87
		15.4		15.7		16.8		18.5		19.3		19.7		20		21		22	
12000	727	513	2.00	535	2.30	575	2.93	612	3.61	647	4.31	681	5.05	714	5.82	745	6.61	777	7.44
		17.2		17.5		19		20		21		21		21		22		23	
12800	775	545	2.39	565	2.70	603	3.36	638	4.07	673	4.81	705	5.58	737	6.38	766	7.21	796	8.06
		19.1		19.6		21		22		22		22		23		24		25	
13600	824	577	2.83	595	3.15	632	3.84	666	4.59	698	5.36	730	6.16	760	7.00	789	7.85		
		21		22		23		23		23		24		25		26			
14400	872	608	3.31	626	3.66	661	4.38	694	5.16	725	5.96	755	6.80	784	7.66				
		24		24		24		25		25		26		27					
15200	921	640	3.86	657	4.22	690	4.98	722	5.78	752	6.62	781	7.49						
		26		26		26		27		27		28							
16000	969	672	4.46	688	4.84	720	5.63	750	6.46	779	7.34								
		28		28		28		29		30									
16800	1018	704	5.12	720	5.52	750	6.34	779	7.20										
		30		30		31		32											

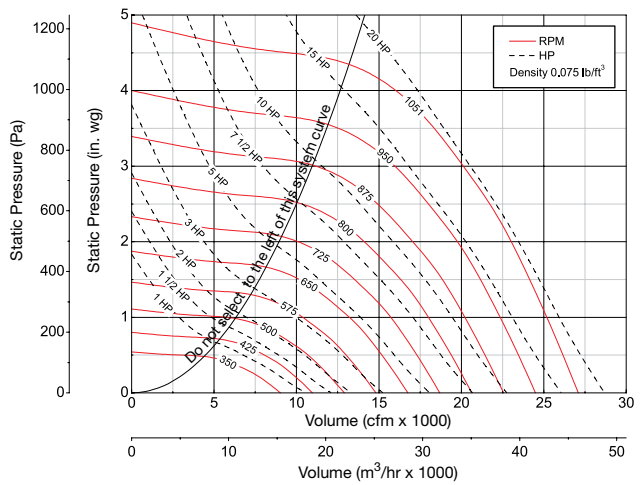
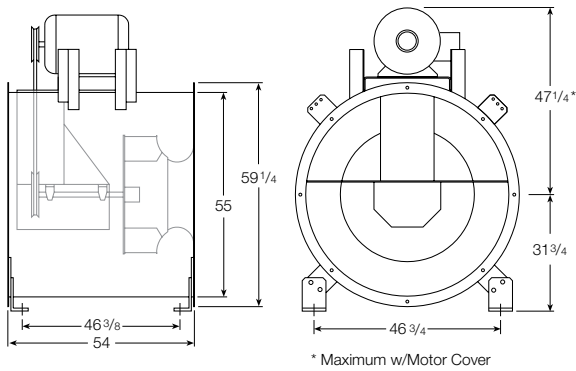
Performance certified is for installation Type B Free inlet, Ducted outlet. Power rating (Bhp) does not include transmission losses. Performance ratings do not include the effects of appurtenances (accessories).

The sound ratings shown are loudness values in fan sones at 5 ft. (1.5 m) in a hemispherical free field calculated per AMCA Standard 301. Values shown are for installation Type B Free inlet hemispherical sone levels.

Inline Fans

Performance and Dimensional Data

XTIF-2-36 - Level 2 Construction



Maximum rpm = 1051
 Outlet Velocity (ft/min) = cfm x 0.061
 Tip Speed (ft/min) = rpm x 9.56
 Maximum Bhp at a given rpm = (rpm/391)³
 Max Motor Frame Size = 256T
 Housing = 10 ga. Steel Construction
 0.19 in. (4.826 mm) Aluminum Construction
 Shaft Diameter = 1 5/16 in. (49 mm)

All dimensions in inches.

cfm	OV	Static Pressure (in. wg)																	
		0.25		0.5		1		1.5		2		2.5		3		3.5		4	
		RPM	Bhp	RPM	Bhp	RPM	Bhp	RPM	Bhp	RPM	Bhp	RPM	Bhp	RPM	Bhp	RPM	Bhp	RPM	Bhp
7200	436	342	0.67	403	1.09	515	2.06												
		7.3		11.4		11.3													
8400	509	380	0.91	434	1.36	532	2.41	625	3.63										
		10.8		13		11.7		14.6											
9600	581	420	1.21	467	1.70	556	2.84	640	4.11	721	5.54								
		14.3		13.7		12.5		14.7		18.3									
10800	654	461	1.59	503	2.12	586	3.34	662	4.69	736	6.17	807	7.79						
		14.6		14.1		13.5		15.5		18.2		22							
12000	727	504	2.06	542	2.63	617	3.92	688	5.37	756	6.90	822	8.57	886	10.4	945	12.2		
		15.2		14.7		14.8		16.7		18.7		21		24		28			
13200	800	547	2.61	581	3.23	650	4.59	717	6.13	779	7.75	841	9.46	901	11.3	960	13.3	1015	15.3
		16.0		15.6		16.3		18.2		20		22		24		27		31	
14400	872	591	3.26	622	3.93	684	5.35	747	6.97	807	8.70	864	10.5	920	12.4	975	14.4	1030	16.5
		17.2		17.4		18.0		19.8		21		23		25		27		31	
15600	945	635	4.02	664	4.74	722	6.25	780	7.94	837	9.76	890	11.7	943	13.6	994	15.6	1045	17.8
		19.1		19.4		20		22		23		25		26		28		30	
16800	1018	679	4.88	707	5.67	761	7.28	814	9.02	868	10.9	920	12.9	968	15.0	1018	17.1		
		21		22		23		24		25		27		28		30			
18000	1090	724	5.87	750	6.73	800	8.43	849	10.2	901	12.2	950	14.3	998	16.5	1042	18.7		
		24		24		25		26		27		29		31		32			
19200	1163	769	6.98	793	7.93	840	9.72	887	11.6	935	13.6	982	15.8	1028	18.1				
		26		27		27		29		30		32		33					
20400	1236	814	8.24	837	9.27	881	11.2	926	13.1	969	15.2	1015	17.5						
		29		29		30		32		33		34							
21600	1309	859	9.65	881	10.8	923	12.8	965	14.8	1006	16.9	1049	19.3						
		32		32		33		35		36		38							
22800	1381	905	11.2	925	12.4	966	14.5	1005	16.7	1045	18.9								
		35		36		37		38		40									
24000	1454	950	12.9	970	14.2	1008	16.5	1046	18.7										
		39		39		41		42											

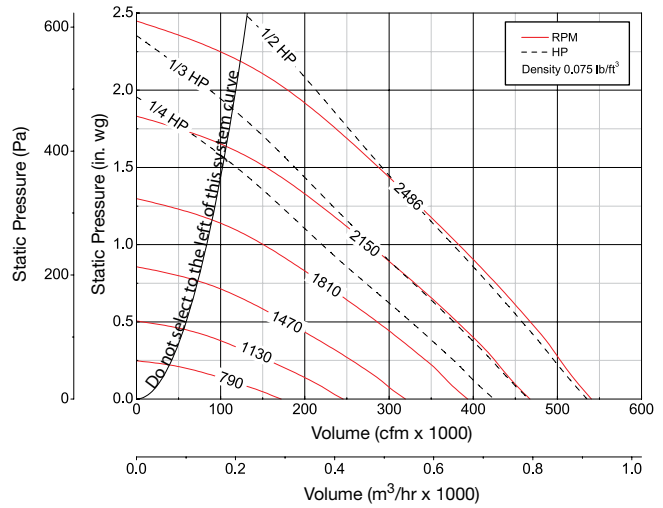
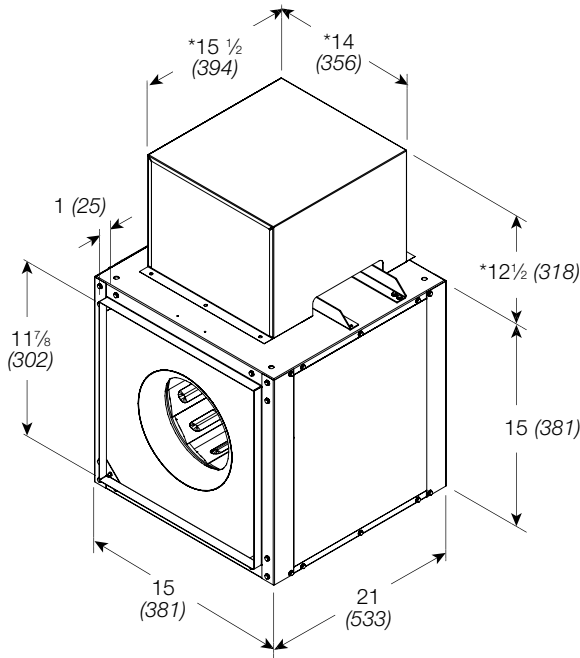
Performance certified is for installation Type B Free inlet, Ducted outlet. Power rating (Bhp) does not include transmission losses. Performance ratings do not include the effects of appurtenances (accessories).

The sound ratings shown are loudness values in fan sones at 5 ft. (1.5 m) in a hemispherical free field calculated per AMCA Standard 301. Values shown are for installation Type B Free inlet hemispherical sone levels.

Inline Fans

Performance and Dimensional Data

XIB-70



Dimensions shown in inches (millimeters).

*Motor cover is optional. Dimensions may vary with motor size.

Model Number	HP	RPM	Static Pressure (in. wg)																				
			0.125		0.25		0.5		0.625		0.75		1		1.25		1.5		1.75		2		
		sones		Bhp		sones		Bhp		sones		Bhp		sones		Bhp		sones		Bhp			
XIB-70-4	1/4	1050	8.0	0.04	7.5	0.04																	
		1182	9.4	0.06	8.8	0.05																	
		1313	11.0	0.08	10.4	0.08	9.2	0.07															
		1445	12.8	0.10	12.3	0.10	10.7	0.10	10.3	0.09													
		1577	14.9	0.13	14.6	0.13	12.7	0.13	11.9	0.12	11.4	0.12											
		1709	16.1	0.17	15.9	0.17	14.5	0.17	13.9	0.16	13.3	0.16	12.4	0.14									
		1840	17.3	0.21	17.0	0.21	16.4	0.21	16.0	0.21	15.4	0.20	14.5	0.19									
		1972	19.2	0.26	19.1	0.26	18.6	0.26	18.2	0.26	17.9	0.25	17.7	0.24	16.5	0.22							
		2072	20	0.30	20	0.30	19.9	0.30	19.5	0.30	19.1	0.29	18.5	0.29	18.2	0.27	16.8	0.24					
XIB-70-3	1/3	2172	21	0.35	21	0.35	21	0.35	21	0.35	20	0.34	19.7	0.33	19.2	0.32	18.8	0.30					
		2329	23	0.43	23	0.43	23	0.43	23	0.43	23	0.42	22	0.42	21	0.41	20	0.39	21	0.36			
XIB-70-5	1/2	2486	25	0.52	25	0.52	25	0.52	25	0.52	25	0.52	24	0.51	23	0.50	22	0.49	22	0.47	23	0.44	

MAX. Bhp AT A GIVEN RPM = (RPM/3084)³
 MAXIMUM RPM = 2486
 TIP SPEED (ft/min) = RPM x 2.928
 MAX. NEMA MOTOR FRAME SIZE = 145T
 OUTLET VELOCITY (ft/min) = cfm x 1.0212
 HOUSING THICKNESS = 20 GA.
 APPROX. WEIGHT ~ 76 lbs. (34 kg)
 DAMPER SIZE = 12 x 12 in. (305 x 305 mm)

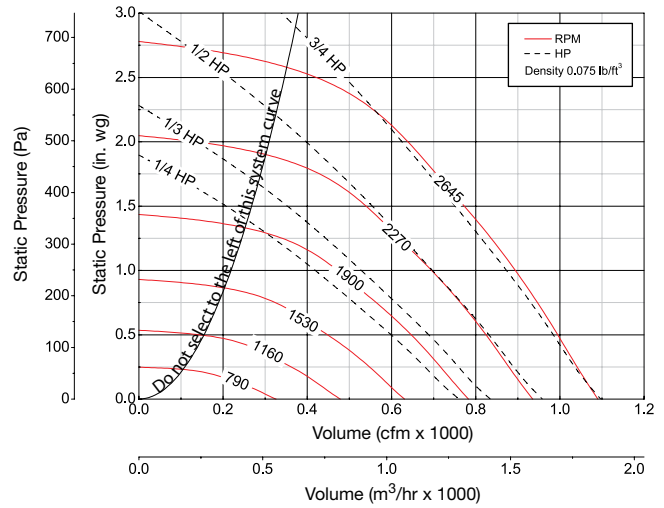
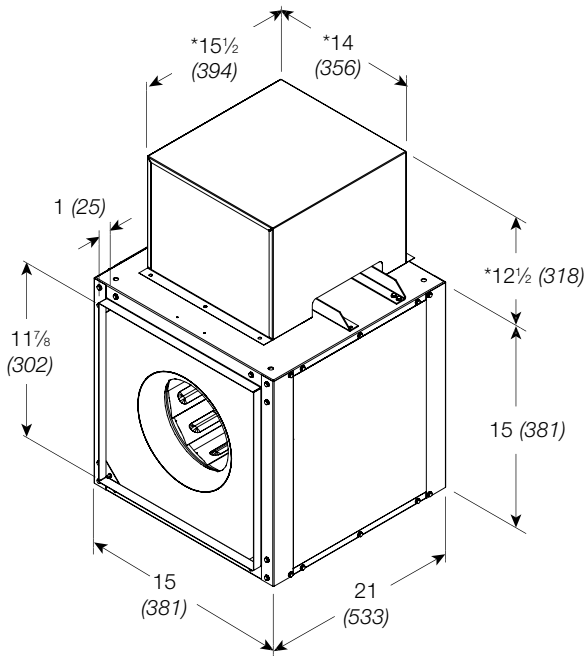
Performance certified is for installation Type B Free inlet, Ducted outlet. Performance ratings do not include the effects of appurtenances (accessories). Power rating (Bhp) does not include transmission losses.

The sound ratings shown are loudness values in fan sones at 5 ft. (1.5 m) in a hemispherical free field calculated per AMCA Standard 301. Values shown are for installation Type B Free inlet hemispherical sone levels.

Inline Fans

Performance and Dimensional Data

XIB-80



Dimensions shown in inches (millimeters).
 *Motor cover is optional. Dimensions may vary with motor size.

Model Number	HP	RPM	Static Pressure (in. wg)																					
			0.125		0.25		0.5		0.625		0.75		1		1.25		1.5		1.75		2			
			sones	Bhp	sones	Bhp	sones	Bhp	sones	Bhp	sones	Bhp	sones	Bhp	sones	Bhp	sones	Bhp	sones	Bhp	sones	Bhp		
XIB-80-4	1/4	1050	8.0	0.05	7.6	0.05																		
		1207	9.7	0.07	9.1	0.08	8.2	0.07																
		1363	11.7	0.11	11.1	0.11	9.8	0.11																
		1520	13.9	0.15	13.5	0.15	11.8	0.15	10.8	0.14														
		1676	15.9	0.19	15.6	0.20	14.1	0.20	12.9	0.20	11.5	0.17												
		1833	17.2	0.25	16.9	0.26	16.3	0.26	15.3	0.26	14.3	0.25												
		1926	18.4	0.29	18.3	0.30	17.8	0.30	17.1	0.30	16.9	0.30	13.9	0.27										
XIB-80-3	1/3	2018	19.6	0.34	19.5	0.34	19.2	0.35	18.4	0.35	18.1	0.34	16.7	0.34	13.5	0.28								
		2164	21	0.41	21	0.42	21	0.43	20	0.43	19.6	0.43	19.2	0.42	17.6	0.40								
XIB-80-5	1/2	2310	23	0.50	23	0.51	22	0.52	23	0.52	21	0.52	21	0.52	20	0.51	19.9	0.48						
		2478	25	0.62	25	0.63	24	0.64	25	0.64	24	0.65	23	0.65	22	0.64	22	0.63	23	0.59				
XIB-80-7	3/4	2645	28	0.75	28	0.76	27	0.77	27	0.78	27	0.79	26	0.79	25	0.78	24	0.77	24	0.77	35	0.65		

MAX. Bhp AT A GIVEN RPM = (RPM/2866)³
 MAXIMUM RPM = 2645
 TIP SPEED (ft/min) = RPM x 2.928
 MAX. NEMA MOTOR FRAME SIZE = 145T
 OUTLET VELOCITY (ft/min) = cfm x 1.0212
 HOUSING THICKNESS = 20 GA.
 APPROX. WEIGHT ~ 79 lbs. (36 kg)
 DAMPER SIZE = 12 x 12 in. (305 x 305 mm)

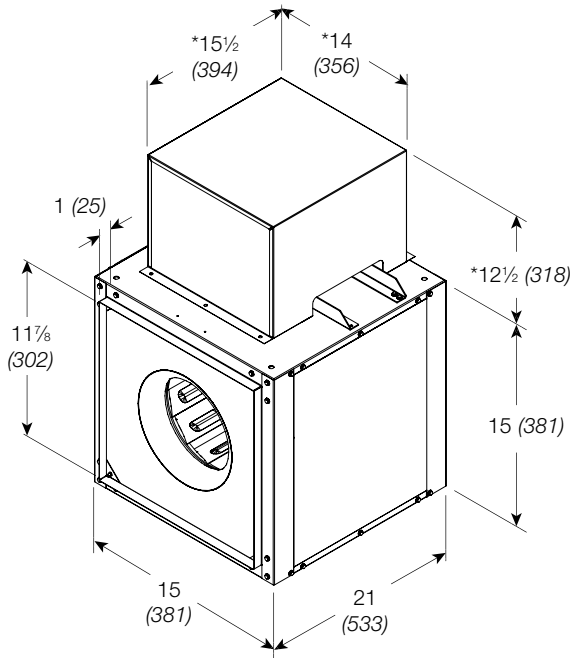
Performance certified is for installation Type B Free inlet, Ducted outlet. Performance ratings do not include the effects of appurtenances (accessories). Power rating (Bhp) does not include transmission losses.

The sound ratings shown are loudness values in fan sones at 5 ft. (1.5 m) in a hemispherical free field calculated per AMCA Standard 301. Values shown are for installation Type B Free inlet hemispherical sone levels.

Inline Fans

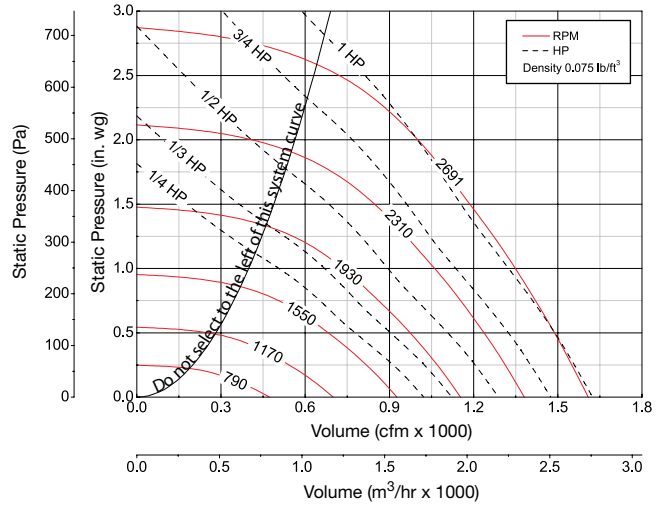
Performance and Dimensional Data

XIB-90



Dimensions shown in inches (millimeters).

*Motor cover is optional. Dimensions may vary with motor size.



Model Number	HP	RPM	Static Pressure (in. wg)																					
			0.125		0.25		0.5		0.75		1		1.5		1.75		2		2.25		2.5			
			sones	Bhp	sones	Bhp	sones	Bhp	sones	Bhp	sones	Bhp	sones	Bhp	sones	Bhp	sones	Bhp	sones	Bhp	sones	Bhp		
XIB-90-4	1/4	1050	8.0	0.06	7.6	0.06																		
		1211	9.8	0.09	9.1	0.10	8.3	0.08																
		1372	11.8	0.13	11.2	0.14	9.9	0.13																
		1533	14.2	0.18	13.8	0.19	12.1	0.19	11.0	0.18														
		1694	16.0	0.25	15.8	0.25	14.4	0.26	13.1	0.25	12.3	0.23												
XIB-90-3	1/3	1780	16.7	0.29	16.5	0.29	15.6	0.30	14.4	0.30	13.7	0.28												
		1866	17.5	0.33	17.3	0.33	16.9	0.35	15.9	0.35	15.4	0.33												
XIB-90-5	1/2	2136	21	0.49	21	0.50	21	0.51	19.9	0.52	19.2	0.52	18.4	0.47										
		2291	23	0.61	23	0.61	22	0.63	22	0.64	21	0.65	20	0.61	20	0.58								
XIB-90-7	3/4	2445	25	0.74	25	0.74	24	0.76	25	0.77	23	0.79	22	0.77	22	0.73	23	0.70						
		2568	26	0.85	26	0.86	26	0.87	26	0.89	26	0.90	24	0.90	22	0.88	24	0.84	25	0.80				
XIB-90-10	1	2691	28	0.98	28	0.99	27	1.00	28	1.02	28	1.03	26	1.05	25	1.03	24	1.00	26	0.96	29	0.91		

MAX. Bhp AT A GIVEN RPM = $(RPM/2649)^3$
 MAXIMUM RPM = 2691
 TIP SPEED (ft/min) = RPM x 2.928
 MAX. NEMA MOTOR FRAME SIZE = 145T
 OUTLET VELOCITY (ft/min) = cfm x 1.0212
 HOUSING THICKNESS = 20 GA.
 APPROX. WEIGHT ~ 84 lbs. (38 kg)
 DAMPER SIZE = 12 x 12 in. (205 x 205 mm)

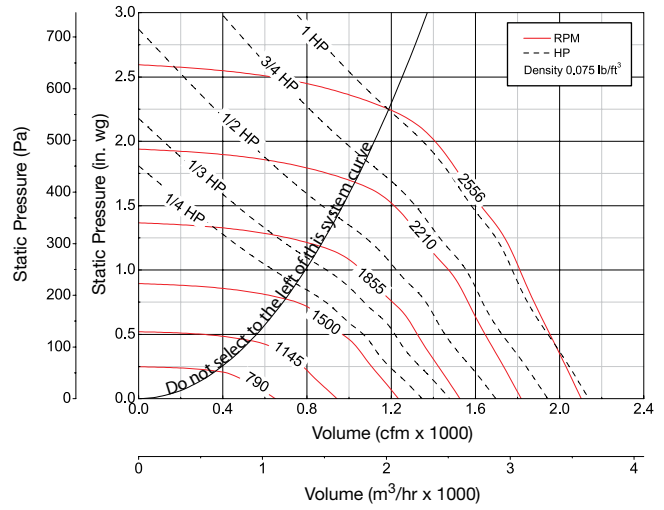
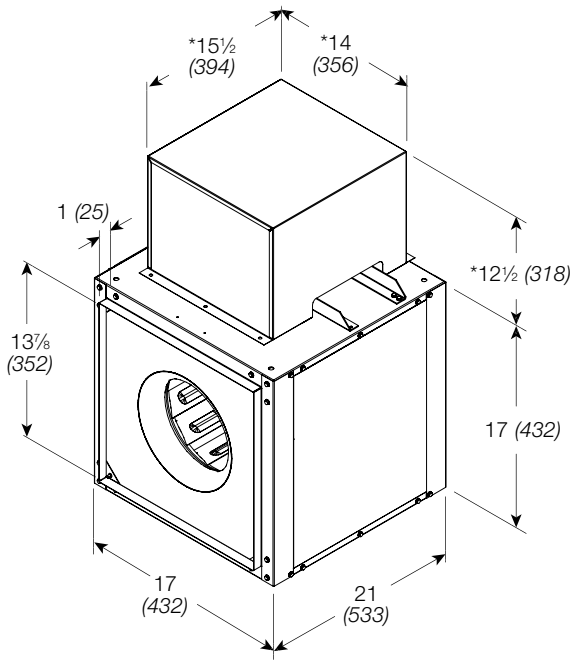
Performance certified is for installation Type B Free inlet, Ducted outlet. Performance ratings do not include the effects of appurtenances (accessories). Power rating (Bhp) does not include transmission losses.

The sound ratings shown are loudness values in fan sones at 5 ft. (1.5 m) in a hemispherical free field calculated per AMCA Standard 301. Values shown are for installation Type B Free inlet hemispherical sone levels.

Inline Fans

Performance and Dimensional Data

XIB-100



Dimensions shown in inches (millimeters).

*Motor cover is optional. Dimensions may vary with motor size.

Model Number	HP	RPM	Static Pressure (in. wg)																				
			0.125		0.25		0.5		0.625		0.75		1		1.25		1.5		1.75		2		
			sones	Bhp	sones	Bhp	sones	Bhp	sones	Bhp	sones	Bhp	sones	Bhp	sones	Bhp	sones	Bhp	sones	Bhp	sones	Bhp	
XIB-100-4	1/4	1050	7.9	0.07	7.6	0.07																	
		1190	9.5	0.10	8.9	0.11																	
		1330	10.24	0.14	9.53	0.15	7.70																
		1469	11.3	0.19	10.6	0.20	9.4	0.15	8.37														
		1609	12.65	0.25	12.07	0.26	10.88	0.20	10.5	0.20	9.17												
XIB-100-3	1/3	1772	14.05	0.33	13.52	0.34	12.47	0.35	11.87	0.35	11.10	0.35	9.39										
		1901	15.15	0.40	14.65	0.41	13.66	0.43	13.20	0.43	12.55	0.43	11.15										
XIB-100-5	1/2	2029	18.0	0.49	17.8	0.50	17.4	0.52	17.1	0.52	16.6	0.52	16.2	0.52	11.19								
		2176	19.8	0.60	19.6	0.61	19.4	0.63	19.0	0.64	18.6	0.65	18.2	0.65	17.2	0.52	11.63						
XIB-100-7	3/4	2323	21	0.73	21	0.74	21	0.77	21	0.78	20	0.79	19.8	0.79	19.3	0.79	18.5	0.79	11.97				
		2440	23	0.84	23	0.86	23	0.88	23	0.89	23	0.91	22	0.91	21	0.79	20	0.79	21	0.78			
XIB-100-10	1	2556	25	0.97	25	0.98	25	1.01	25	1.02	25	1.03	25	1.05	25	1.05	24	1.05	22	1.05	24	1.05	
			2066	26	0.84	2029	0.86	1956	0.88	1919	0.89	1882	0.91	1810	0.91	1734	0.91	1626	0.91	1522	0.91	1402	0.88

MAX. Bhp AT A GIVEN RPM = (RPM/2517)³
 MAXIMUM RPM = 2556
 TIP SPEED (ft/min) = RPM x 2.928
 MAX. NEMA MOTOR FRAME SIZE = 145T
 OUTLET VELOCITY (ft/min) = cfm x 0.7617
 HOUSING THICKNESS = 20 GA.
 APPROX. WEIGHT ~ 83 lbs. (38 kg)
 DAMPER SIZE = 14 x 14 in. (356 x 356 mm)

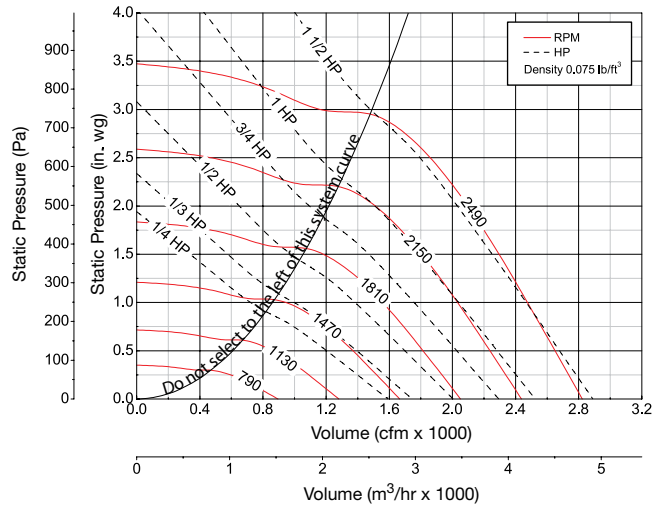
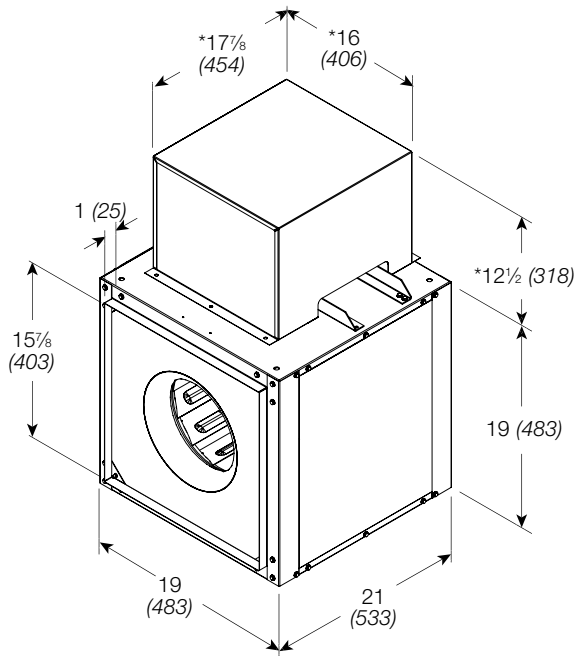
Performance certified is for installation Type B Free inlet, Ducted outlet. Performance ratings do not include the effects of appurtenances (accessories). Power rating (Bhp) does not include transmission losses.

The sound ratings shown are loudness values in fan sones at 5 ft. (1.5 m) in a hemispherical free field calculated per AMCA Standard 301. Values shown are for installation Type B Free inlet hemispherical sone levels.

Inline Fans

Performance and Dimensional Data

XIB-120



Dimensions shown in inches (millimeters).

*Motor cover is optional. Dimensions may vary with motor size.

Model Number	HP	RPM	Static Pressure (in. wg)																					
			0.125		0.5		0.75		1		1.25		1.5		1.75		2		2.5		2.75			
			sones	Bhp	sones	Bhp	sones	Bhp	sones	Bhp	sones	Bhp	sones	Bhp	sones	Bhp	sones	Bhp	sones	Bhp	sones	Bhp		
XIB-120-4	1/4	1000		1026																				
			7.7	0.10																				
		1184	8.8	0.16	8.7	0.17																		
XIB-120-3	1/3	1367	10.9	0.24	10.5	0.26	10.0	0.26																
			11.7	0.28	11.0	0.30	10.4	0.30																
		1437	11.7	0.28	11.0	0.30	10.4	0.30																
XIB-120-5	1/2	1506	12.5	0.32	11.7	0.34	11.1	0.35	10.2	0.34														
			13.8	0.39	13.0	0.42	12.4	0.43	11.8	0.43														
		1724	15.2	0.48	14.6	0.50	13.8	0.52	13.6	0.52	12.4	0.52												
XIB-120-7	3/4	1974	19.0	0.71	18.3	0.74	17.6	0.76	16.9	0.78	16.4	0.79	15.7	0.78										
			22.98		21.42		20.37		19.28		18.13		16.83		12.93									
		2073	21	0.82	19.9	0.86	19.0	0.88	18.6	0.90	17.9	0.91	17.5	0.91	15.2	0.87								
XIB-120-10	1	2172	23	0.94	22	0.98	21	1.00	21	1.02	19.7	1.04	19.0	1.05	17.5	1.03								
			25.94		24.56		23.63		22.68		21.71		20.69		18.41		16.95		14.77					
		2329	26	1.16	25	1.20	24	1.23	23	1.25	23	1.27	22	1.28	21	1.29	19.9	1.28	18.8	1.23				
XIB-120-15	1 1/2	2490	27.79		26.51		25.63		24.75		23.87		22.94		20.93		19.84		18.52		16.82			
			31	1.41	29	1.46	27	1.49	26	1.51	27	1.54	26	1.55	24	1.58	23	1.58	23	1.57	22	1.53		

MAX. Bhp AT A GIVEN RPM = (RPM/2144)³
 MAXIMUM RPM = 2490
 TIP SPEED (ft/min) = RPM x 3.436
 MAX. NEMA MOTOR FRAME SIZE = 145T
 OUTLET VELOCITY (ft/min) = cfm x 0.5805
 HOUSING THICKNESS = 20 GA.
 APPROX. WEIGHT ~ 97 lbs. (44 kg)
 DAMPER SIZE = 16 x 16 in. (406 x 406 mm)

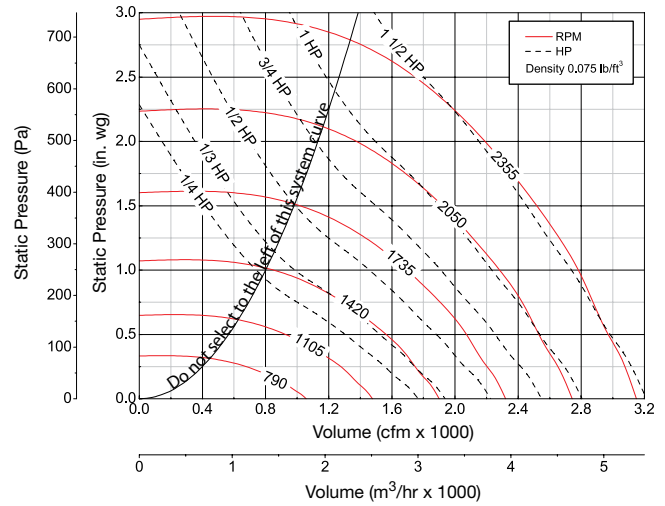
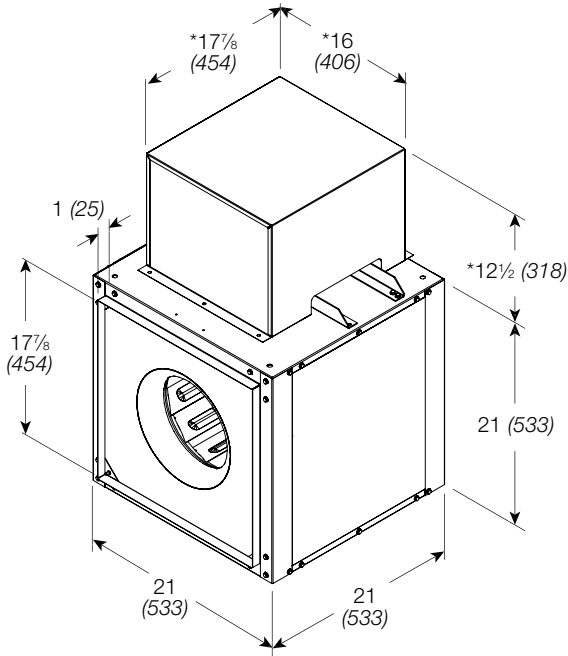
Performance certified is for installation Type B Free inlet, Ducted outlet. Performance ratings do not include the effects of appurtenances (accessories). Power rating (Bhp) does not include transmission losses.

The sound ratings shown are loudness values in fan sones at 5 ft. (1.5 m) in a hemispherical free field calculated per AMCA Standard 301. Values shown are for installation Type B Free inlet hemispherical sone levels.

Inline Fans

Performance and Dimensional Data

XIB-130



Dimensions shown in inches (millimeters).
 *Motor cover is optional. Dimensions may vary with motor size.

Model Number	HP	RPM	Static Pressure (in. wg)																					
			0.125		0.25		0.5		0.75		1		1.25		1.5		1.75		2		2.5			
			sones	Bhp	sones	Bhp	sones	Bhp	sones	Bhp	sones	Bhp	sones	Bhp	sones	Bhp	sones	Bhp	sones	Bhp	sones	Bhp		
XIB-130-4	1/4	900			1084	0.09	7.7																	
		1031	1275	0.13	8.7	1151	0.13	8.7	709	0.12														
		1162	1463	0.18	10.0	1364	0.19	9.8	1059	0.18														
		1293	1652	0.24	11.6	1563	0.25	11.2	1328	0.26	10.6	0.24												
XIB-130-3	1/3	1424	1838	0.32	13.3	1754	0.33	12.8	1568	0.35	12.4	0.34												
		1527	1984	0.40	14.8	1902	0.41	13.9	1743	0.43	13.3	0.42	12.6	0.40										
XIB-130-5	1/2	1630	2126	0.48	15.6	2050	0.49	13.9	1908	0.52	13.3	0.52	12.6	0.40										
		1866	2448	0.72	19.9	2389	0.73	18.8	2266	0.78	18.2	0.78	17.2	0.78	15.9	0.77	14.7	0.73						
XIB-130-10	1	1960	2576	0.83	21	2523	0.84	19.9	2403	0.87	19.3	0.90	18.4	0.91	17.3	0.89	16.7	0.87	16.2	0.83				
		2053	2702	0.95	22	2655	0.97	21	2537	1.00	20	1.03	19.8	1.05	18.7	1.03	18.0	1.02	17.9	0.99	18.5	0.89		
		2202	2905	1.17	25	2864	1.19	24	2751	1.22	22	1.25	22	1.28	21	1.28	20	1.27	19.9	1.26	21	1.22		
XIB-130-15	1 1/2	2355	3112	1.43	28	3074	1.44	28	2971	1.48	25	1.52	24	1.55	23	1.58	22	1.57	22	1.55	22	1.54	27	1.44
			30	1.43	28	1.44	28	1.48	25	1.52	24	1.55	23	1.58	22	1.57	22	1.57	22	1.55	22	1.54	27	1.44

MAX. Bhp AT A GIVEN RPM = (RPM/2022)³
 MAXIMUM RPM = 2355
 TIP SPEED (ft/min) = RPM x 3.435
 MAX. NEMA MOTOR FRAME SIZE = 145T
 OUTLET VELOCITY (ft/min) = cfm x 0.4571
 HOUSING THICKNESS = 20 GA.
 APPROX. WEIGHT ~ 97 lbs. (44 kg)
 DAMPER SIZE = 18 x 18 in. (457 x 457 mm)

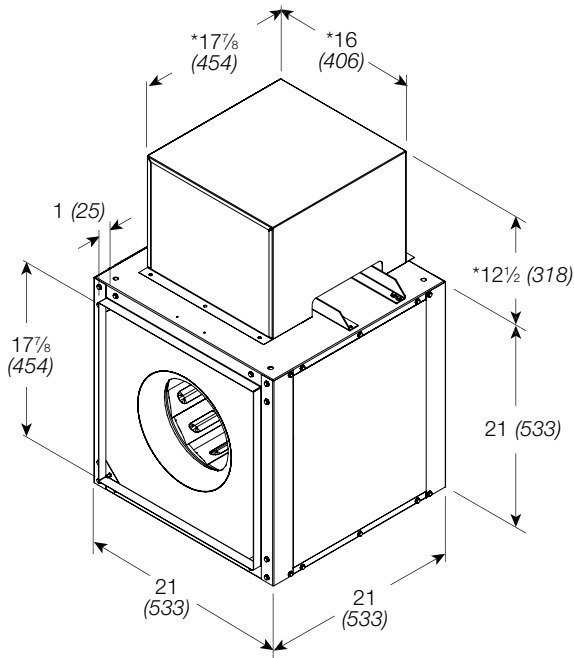
Performance certified is for installation Type B Free inlet, Ducted outlet. Performance ratings do not include the effects of appurtenances (accessories). Power rating (Bhp) does not include transmission losses.

The sound ratings shown are loudness values in fan sones at 5 ft. (1.5 m) in a hemispherical free field calculated per AMCA Standard 301. Values shown are for installation Type B Free inlet hemispherical sone levels.

Inline Fans

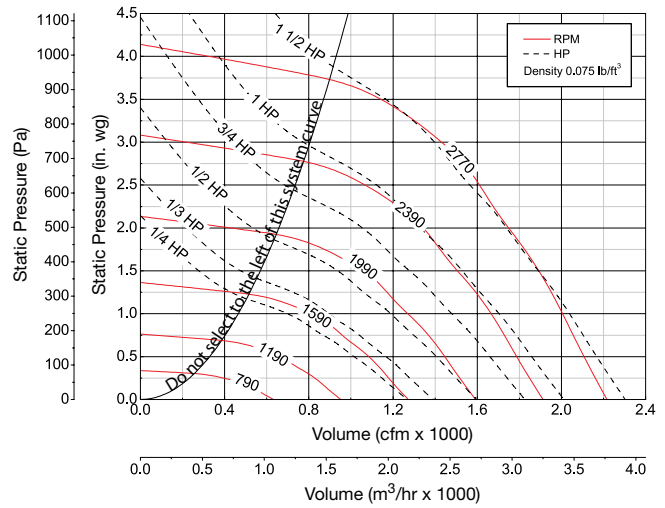
Performance and Dimensional Data

XIB-130HP



Dimensions shown in inches (millimeters).

*Motor cover is optional. Dimensions may vary with motor size.



Model Number	HP	RPM	Static Pressure (in. wg)																					
			0.5		0.75		1		1.25		1.5		1.75		2		2.5		3		3.5			
			sones	Bhp	sones	Bhp	sones	Bhp	sones	Bhp	sones	Bhp	sones	Bhp	sones	Bhp	sones	Bhp	sones	Bhp	sones	Bhp		
XIB-130HP-4	1/4	1300	11.2	0.16	10.5	0.15																		
		1410	902	751																				
		1520	1014	884			670																	
XIB-130HP-3	1/3	1674	1161	1048			930	700																
		1795	1273	1176			1063	930	691															
XIB-130HP-5	1/2	1916	1380	1294			1192	1091	925	680														
		2055	1501	1426			1339	1239	1146	971	756													
XIB-130HP-7	3/4	2194	1621	1555			1477	1388	1297	1203	1033													
		2304	1715	1653			1582	1504	1414	1331	1229	865												
XIB-130HP-10	1	2414	1808	1749			1685	1614	1532	1448	1369	1080												
		2589	1956	1901			1846	1781	1714	1635	1557	1392	1076											
XIB-130HP-15	1 1/2	2770	2108	2056			2005	1950	1888	1825	1750	1608	1421	1110										
			27	1.39	28	1.42	27	1.44	26	1.47	25	1.50	24	1.52	24	1.52	23	1.56	22	1.54	19.2	1.48		

MAX. Bhp AT A GIVEN RPM = $(RPM/2377)^3$
 MAXIMUM RPM = 2770
 TIP SPEED (ft/min) = $RPM \times 3.435$
 MAX. NEMA MOTOR FRAME SIZE = 145T
 OUTLET VELOCITY (ft/min) = $cfm \times 0.4571$
 HOUSING THICKNESS = 20 GA.
 APPROX. WEIGHT ~ 97 lbs. (44 kg)
 DAMPER SIZE = 18 x 18 in. (457 x 457 mm)

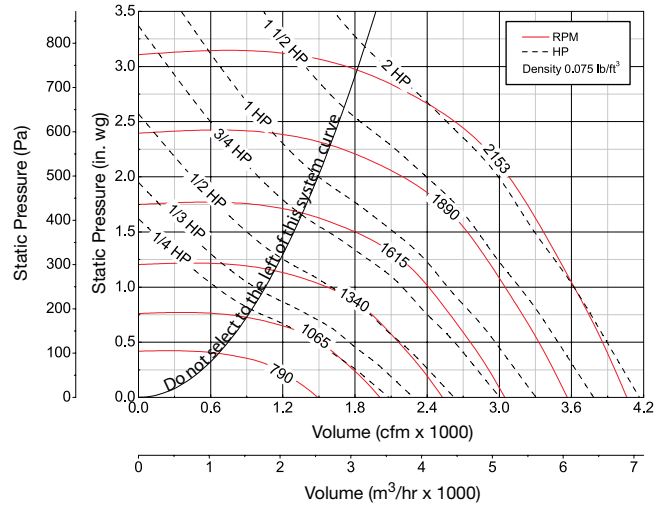
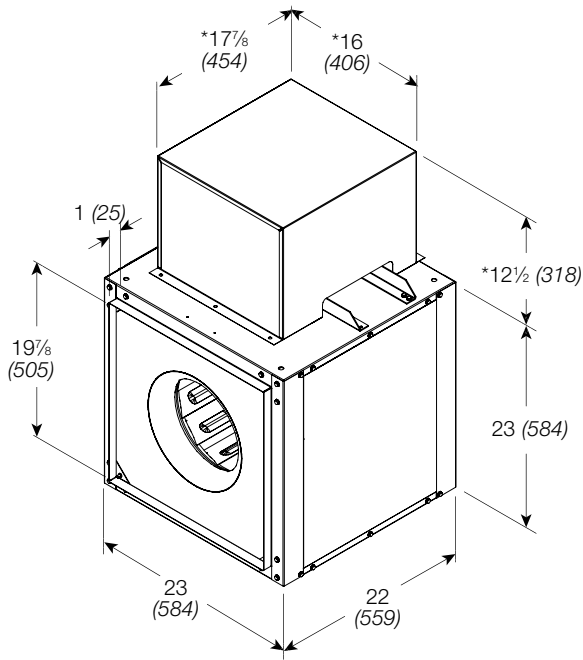
Performance certified is for installation Type B Free inlet, Ducted outlet. Performance ratings do not include the effects of appurtenances (accessories). Power rating (Bhp) does not include transmission losses.

The sound ratings shown are loudness values in fan sones at 5 ft. (1.5 m) in a hemispherical free field calculated per AMCA Standard 301. Values shown are for installation Type B Free inlet hemispherical sone levels.

Inline Fans

Performance and Dimensional Data

XIB-140



Dimensions shown in inches (millimeters).
 *Motor cover is optional. Dimensions may vary with motor size.

Model Number	HP	RPM	Static Pressure (in. wg)																						
			0.125		0.25		0.5		0.75		1		1.5		1.75		2		2.5		2.75				
			sones	Bhp	sones	Bhp	sones	Bhp	sones	Bhp	sones	Bhp	sones	Bhp	sones	Bhp	sones	Bhp	sones	Bhp	sones	Bhp			
XIB-140-4	1/4	800			1362	1185																			
		938	6.3	0.10	6.7	0.11			1060																
		1076	8.4	0.16	8.7	0.17	6.1	0.17																	
XIB-140-3	1/3	1185	1927	1810	1538			1463																	
		1271	2142	2039	1807	1463																			
XIB-140-5	1/2	1356	2311	2217	2006	1741	1199																		
		1553	13.3	0.40	13.0	0.41	13.1	0.43	13.0	0.43	12.7	0.39													
XIB-140-7	3/4	1631	2476	2392	2197	1979	1636																		
		1709	14.2	0.48	13.9	0.49	13.8	0.51	13.8	0.52	13.8	0.51													
XIB-140-10	1	1956	2858	2787	2626	2449	2253	1447																	
		2055	16.2	0.71	16.0	0.73	16.0	0.75	15.6	0.78	15.3	0.79	13.9	0.70											
XIB-140-15	1 1/2	2153	3008	2941	2790	2625	2446	1865																	
		2055	17.1	0.82	16.9	0.84	16.9	0.87	16.6	0.89	16.1	0.91	14.8	0.87											
XIB-140-20	2	2055	3159	3094	2953	2798	2635	2177	1752																
		2153	18.2	0.95	18.0	0.96	17.9	0.99	17.7	1.02	17.2	1.05	16.1	1.04	15.1	0.97									
XIB-140-20	2	2055	3633	3576	3461	3330	3193	2894	2705	2457															
		2153	24	1.41	23	1.43	24	1.47	24	1.50	23	1.53	22	1.57	21	1.57	20	1.55							
XIB-140-20	2	2055	3822	3769	3662	3537	3410	3136	2982	2777	2168														
		2153	27	1.63	26	1.66	28	1.70	27	1.73	26	1.75	25	1.82	24	1.82	23	1.81	21	1.70					
XIB-140-20	2	2055	4009	3958	3856	3741	3622	3365	3225	3078	2627	2260													
		2153	30	1.88	30	1.90	31	1.95	31	1.98	30	2.00	28	2.08	28	2.10	27	2.10	25	2.06	23	1.95			

MAX. Bhp AT A GIVEN RPM = (RPM/1682)³
 MAXIMUM RPM = 2153
 TIP SPEED (ft/min) = RPM x 3.812
 MAX. NEMA MOTOR FRAME SIZE = 145T
 OUTLET VELOCITY (ft/min) = cfm x 0.3692
 HOUSING THICKNESS = 18 GA.
 APPROX. WEIGHT ~ 111 lbs. (50 kg)
 DAMPER SIZE = 20 x 20 in. (508 x 508 mm)

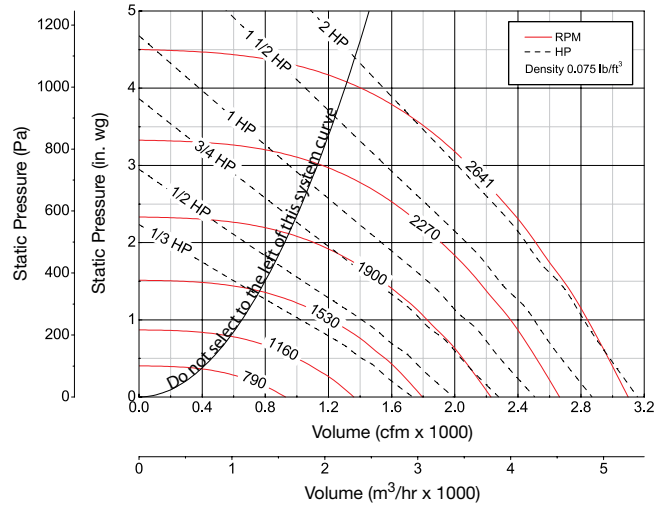
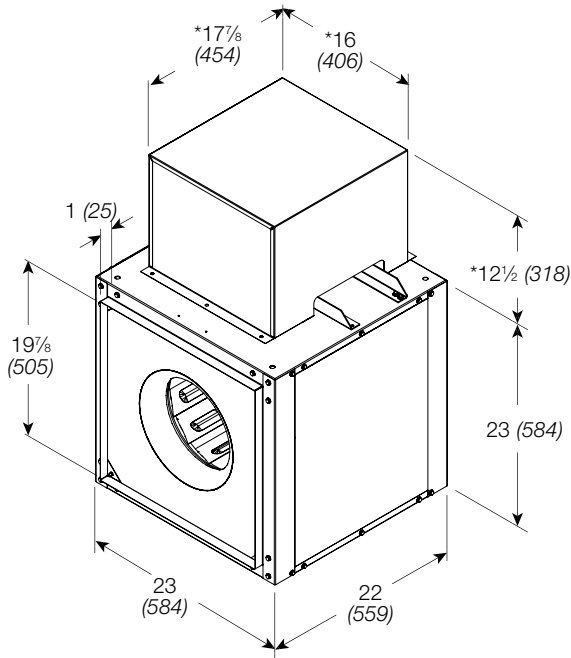
Performance certified is for installation Type B Free inlet, Ducted outlet. Performance ratings do not include the effects of appurtenances (accessories). Power rating (Bhp) does not include transmission losses.

The sound ratings shown are loudness values in fan sones at 5 ft. (1.5 m) in a hemispherical free field calculated per AMCA Standard 301. Values shown are for installation Type B Free inlet hemispherical sone levels.

Inline Fans

Performance and Dimensional Data

XIB-140HP



Dimensions shown in inches (millimeters).
 *Motor cover is optional. Dimensions may vary with motor size.

Model Number	HP	RPM	Static Pressure (in. wg)																							
			0.5		0.75		1		1.25		1.5		1.75		2		2.5		3		3.5					
				sones	Bhp	sones	Bhp	sones	Bhp	sones	Bhp	sones	Bhp	sones	Bhp	sones	Bhp	sones	Bhp	sones	Bhp	sones	Bhp			
XIB-140HP-3	1/3	1340			1285	1082																				
		1453	11.4	0.27	11.2	0.27																				
XIB-140HP-5	1/2	1559	13.3	0.35	12.8	0.35	12.4	0.34																		
		1664	16.01	1.452	14.52	1.270		948						800												
XIB-140HP-7	3/4	1785	17.9	0.63	17.3	0.64	16.7	0.65	16.1	0.65	15.5	0.64														
		1905	19.02	1.782	17.82	1.652	16.52	1.495	14.95	1.307																
XIB-140HP-10	1	2096	20.57	1.954	18.32	1.701	15.48	1363																		
		2197	22.98	2.211	21.08	1.998	18.78	1741	1581																	
XIB-140HP-15	1 1/2	2298	24	1.01	23	1.02	22	1.04	21	1.05	20	1.05	19.7	1.04												
		2399	24.25	2.344	22.53	2.145	20.41	1918	1783	1299																
XIB-140HP-20	2	2520	26	1.16	25	1.18	24	1.18	23	1.21	22	1.21	22	1.21	22	1.21	22	1.08								
		2641	25.50	2.474	23.90	2.292	21.92	2084	1962	1674																
			28	1.32	27	1.34	26	1.35	25	1.37	24	1.38	23	1.38	23	1.38	23	1.36								
			26.76	2.603	25.25	2.437	23.39	2244	2134	1882	1381															
			30	1.50	29	1.52	28	1.53	27	1.54	26	1.57	25	1.57	24	1.57	23	1.56	23	1.39						
			28.25	2.755	26.84	2.606	25.15	2423	2330	2107	1839															
			32	1.73	31	1.76	30	1.78	30	1.78	28	1.81	27	1.82	26	1.82	25	1.82	24	1.79						
			29.73	2.907	28.41	2.768	26.88	2599	2512	2319	2088	1759														
			33	1.99	33	2.01	33	2.04	32	2.05	31	2.06	30	2.09	29	2.10	27	2.10	26	2.09	24	2.00				

MAX. Bhp AT A GIVEN RPM = $(RPM/2064)^3$
 MAXIMUM RPM = 2641
 TIP SPEED (ft/min) = RPM x 3.812
 MAX. NEMA MOTOR FRAME SIZE = 145T
 OUTLET VELOCITY (ft/min) = cfm x 0.3692
 HOUSING THICKNESS = 18 GA.
 APPROX. WEIGHT ~ 111 lbs. (50 kg)
 DAMPER SIZE = 20 x 20 in. (508 x 508 mm)

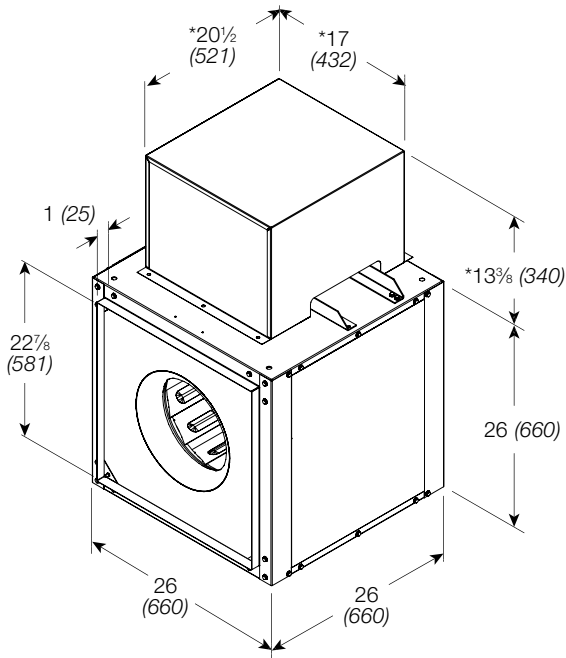
Performance certified is for installation Type B Free inlet, Ducted outlet. Performance ratings do not include the effects of appurtenances (accessories). Power rating (Bhp) does not include transmission losses.

The sound ratings shown are loudness values in fan sones at 5 ft. (1.5 m) in a hemispherical free field calculated per AMCA Standard 301. Values shown are for installation Type B Free inlet hemispherical sone levels.

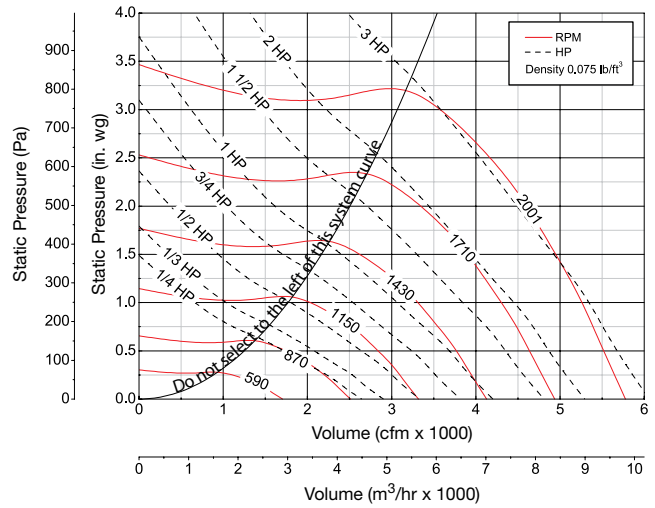
Inline Fans

Performance and Dimensional Data

XIB-160



Dimensions shown in inches (millimeters).
 *Motor cover is optional. Dimensions may vary with motor size.



Model Number	HP	RPM	Static Pressure (in. wg)																			
			0.125		0.5		0.75		1		1.5		1.75		2		2.25		2.5		3	
			sones	Bhp	sones	Bhp	sones	Bhp	sones	Bhp	sones	Bhp	sones	Bhp	sones	Bhp	sones	Bhp	sones	Bhp	sones	Bhp
XIB-160-4	1/4	650	1671																			
		762	6.6	0.10																		
		873	7.7	0.16																		
XIB-160-3	1/3	962	2373	1759																		
		873	8.8	0.23	8.2	0.26																
XIB-160-5	1/2	1101	2643	2150																		
		1261	9.9	0.31	9.3	0.35																
XIB-160-7	3/4	1261	3061	2665	2301																	
		1387	12.4	0.46	11.4	0.51	11.2	0.52														
XIB-160-10	1	1387	3538	3212	2946	2611																
		1488	15.5	0.68	14.6	0.74	14.4	0.78	13.2	0.78												
XIB-160-15	1 1/2	1488	3911	3628	3402	3146	2311															
		1588	18.0	0.90	17.2	0.97	16.9	1.01	16.1	1.05	13.1	0.96										
XIB-160-20	2	1748	4209	3949	3745	3519	2921	2420														
		2001	19.9	1.10	19.0	1.18	18.9	1.23	18.4	1.27	15.9	1.27	14.5	1.17								
XIB-160-30	3	1875	4503	4259	4079	3880	3389	3055	2566													
		2001	22	1.33	21	1.42	22	1.47	21	1.52	18.9	1.56	17.5	1.53	16.1	1.42						
XIB-160-40	4	2001	4973	4751	4603	4425	4037	3802	3528	3185												
		2001	28	1.77	26	1.88	27	1.92	27	1.98	24	2.08	23	2.09	22	2.07	19.9	2.01				
XIB-160-50	5	2001	5345	5138	5000	4847	4501	4312	4091	3844	3530											
		2001	33	2.18	31	2.30	31	2.35	32	2.41	30	2.53	29	2.57	27	2.58	25	2.56	23	2.50		
XIB-160-60	6	2001	5713	5519	5390	5260	4946	4774	4596	4392	4160	3566										
		2001	40	2.64	36	2.77	36	2.84	38	2.89	38	3.03	36	3.08	34	3.12	31	3.14	29	3.12	26	2.99

MAX. Bhp AT A GIVEN RPM = (RPM/1366)³
 MAXIMUM RPM = 2001
 TIP SPEED (ft/min) = RPM x 4.384
 MAX. NEMA MOTOR FRAME SIZE = 184T
 OUTLET VELOCITY (ft/min) = cfm x 0.2782
 HOUSING THICKNESS = 18 GA.
 APPROX. WEIGHT ~ 208 lbs. (94 kg)
 DAMPER SIZE = 23 x 23 in. (584 x 584 mm)

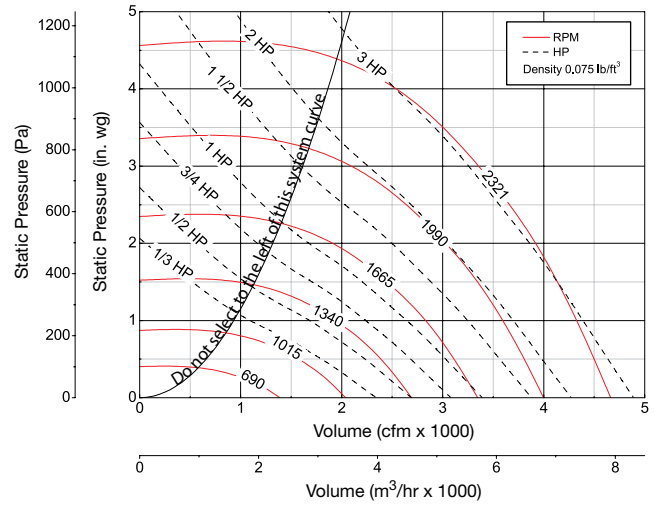
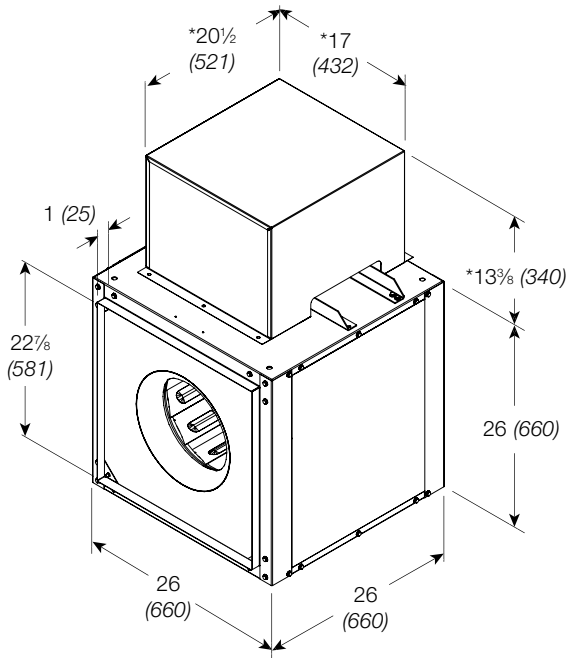
Performance certified is for installation Type B Free inlet, Ducted outlet. Performance ratings do not include the effects of appurtenances (accessories). Power rating (Bhp) does not include transmission losses.

The sound ratings shown are loudness values in fan sones at 5 ft. (1.5 m) in a hemispherical free field calculated per AMCA Standard 301. Values shown are for installation Type B Free inlet hemispherical sone levels.

Inline Fans

Performance and Dimensional Data

XIB-160HP



Dimensions shown in inches (millimeters).

*Motor cover is optional. Dimensions may vary with motor size.

Model Number	HP	RPM	Static Pressure (in. wg)																					
			0.5		0.75		1		1.25		1.5		2		2.5		3		3.5		4			
			sones	Bhp	sones	Bhp	sones	Bhp	sones	Bhp	sones	Bhp	sones	Bhp	sones	Bhp	sones	Bhp	sones	Bhp	sones	Bhp		
XIB-160HP-3	1/3	1050																						
		1116	7.8	0.29	7.2	0.28																		
XIB-160HP-5	1/2	1277	8.6	0.35	8.0	0.35																		
		1370	2237		2020		1731		1305															
XIB-160HP-7	3/4	1462	10.8	0.50	10.1	0.52	9.6	0.52	8.9	0.49														
		1609	12.4	0.61	11.7	0.64	11.2	0.65	10.8	0.63														
XIB-160HP-10	1	1726	2664	2497	2299	2050					1720													
		1842	14.1	0.74	13.4	0.77	12.9	0.79	12.7	0.78	12.6	0.76			1601									
XIB-160HP-15	1 1/2	2027	2986	2845	2688	2497	2269			1601														
		2174	17.8	0.97	17.3	1.00	16.7	1.03	16.3	1.05	16.4	1.04	16.9	0.97										
XIB-160HP-20	2	2321	3239	3116	2974	2814	2630	2157																
		2505	22	1.18	21	1.22	21	1.26	19.8	1.28	19.8	1.29	21	1.27										
XIB-160HP-30	3	2845	3488	3377	3248	3115	2954	2570	2013															
		3001	25	1.42	24	1.47	24	1.51	23	1.54	22	1.56	23	1.56	25	1.49								
		3351	3686	3580	3464	3338	3200	2859	2435															
		3660	27	1.63	25	1.68	25	1.73	25	1.77	24	1.80	24	1.82	25	1.79								
		3918	3881	3780	3676	3555	3434	3135	2763	2248														
		4129	28	1.87	28	1.92	25	1.97	27	2.01	26	2.05	26	2.09	27	2.07	28	1.99						
		4322	4191	4097	4002	3897	3785	3536	3230	2866	2357													
		4499	32	2.29	31	2.34	28	2.40	28	2.45	29	2.49	29	2.56	29	2.58	30	2.55	31	2.44				
		4660	36	2.77	34	2.83	34	2.89	28	2.95	31	3.00	32	3.09	33	3.14	33	3.13	33	3.09	34	2.97		

MAX. Bhp AT A GIVEN RPM = (RPM/1584)³
 MAXIMUM RPM = 2321
 TIP SPEED (ft/min) = RPM x 4.384
 MAX. NEMA MOTOR FRAME SIZE = 184T
 OUTLET VELOCITY (ft/min) = cfm x 0.2782
 HOUSING THICKNESS = 18 GA.
 APPROX. WEIGHT ~ 208 lbs. (94 kg)
 DAMPER SIZE = 23 x 23 in. (584 x 584 mm)

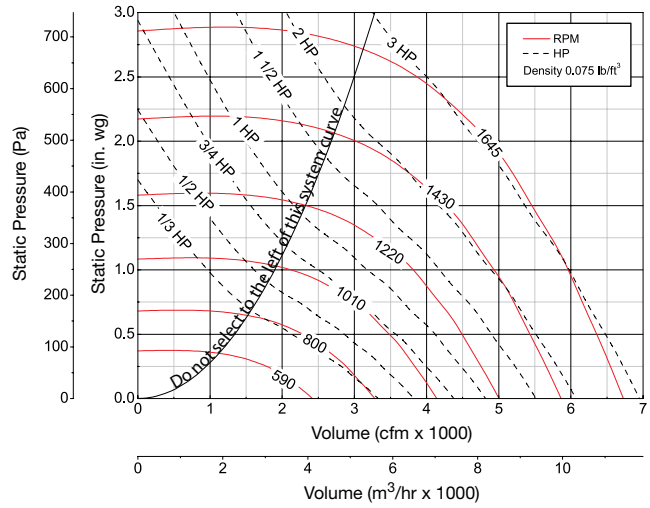
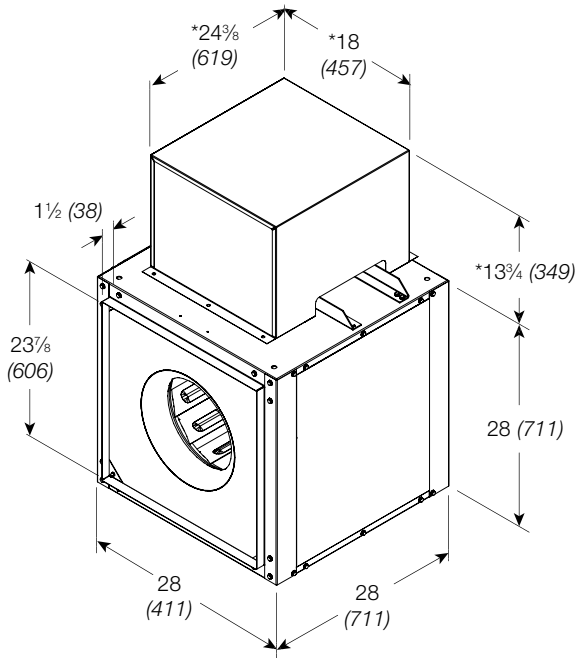
Performance certified is for installation Type B Free inlet, Ducted outlet. Performance ratings do not include the effects of appurtenances (accessories). Power rating (Bhp) does not include transmission losses.

The sound ratings shown are loudness values in fan sones at 5 ft. (1.5 m) in a hemispherical free field calculated per AMCA Standard 301. Values shown are for installation Type B Free inlet hemispherical sone levels.

Inline Fans

Performance and Dimensional Data

XIB-180



Dimensions shown in inches (millimeters).

*Motor cover is optional. Dimensions may vary with motor size.

Model Number	HP	RPM	Static Pressure (in. wg)																					
			0.125		0.25		0.5		0.75		1		1.25		1.5		1.75		2		2.5			
			sones	Bhp	sones	Bhp	sones	Bhp	sones	Bhp	sones	Bhp	sones	Bhp	sones	Bhp	sones	Bhp	sones	Bhp	sones	Bhp		
XIB-180-3	1/3	700																						
		791	10.0	0.23	9.6	0.24																		
XIB-180-5	1/2	848	10.6	0.32	10.9	0.34	9.6	0.35																
		905	11.3	0.39	11.4	0.41	10.7	0.43			2604													
XIB-180-7	3/4	1037	12.2	0.48	12.1	0.50	11.6	0.52	10.8	0.49														
		1141	14.5	0.71	14.2	0.73	13.5	0.77	13.4	0.79	12.8	0.73												
XIB-180-10	1	1224	16.5	0.94	16.1	0.96	15.4	1.01	15.0	1.04	14.9	1.04	13.8	0.96										
		1306	18.4	1.16	17.7	1.18	17.1	1.23	16.5	1.28	16.5	1.29	15.8	1.27	14.4	1.08								
XIB-180-15	1 1/2	1372	20	1.40	19.5	1.43	18.8	1.48	18.3	1.53	17.8	1.57	17.5	1.57	16.8	1.51								
		1437	22	1.62	21	1.65	20	1.71	19.8	1.75	19.0	1.81	18.7	1.82	18.3	1.81	17.5	1.70						
XIB-180-20	2	1541	23	1.86	22	1.89	22	1.95	21	2.00	21	2.06	19.7	2.09	19.6	2.09	19.1	2.04	18.2	1.89				
		1645	26	2.29	25	2.32	25	2.38	24	2.45	24	2.50	22	2.56	22	2.58	21	2.57	21	2.52				
XIB-180-30	3	1541	29	2.78	28	2.81	28	2.88	27	2.95	27	3.01	26	3.07	24	3.12	24	3.14	24	3.13	23	2.94		
		1645	26	2.29	25	2.32	25	2.38	24	2.45	24	2.50	22	2.56	22	2.58	21	2.57	21	2.52				

MAX. Bhp AT A GIVEN RPM = (RPM/1125)³
 MAXIMUM RPM = 1645
 TIP SPEED (ft/min) = RPM x 4.843
 MAX. NEMA MOTOR FRAME SIZE = 184T
 OUTLET VELOCITY (ft/min) = cfm x 0.2553
 HOUSING THICKNESS = 18 GA.
 APPROX. WEIGHT ~ 245 lbs. (111 kg)
 DAMPER SIZE = 24 x 24 in. (610 x 610 mm)

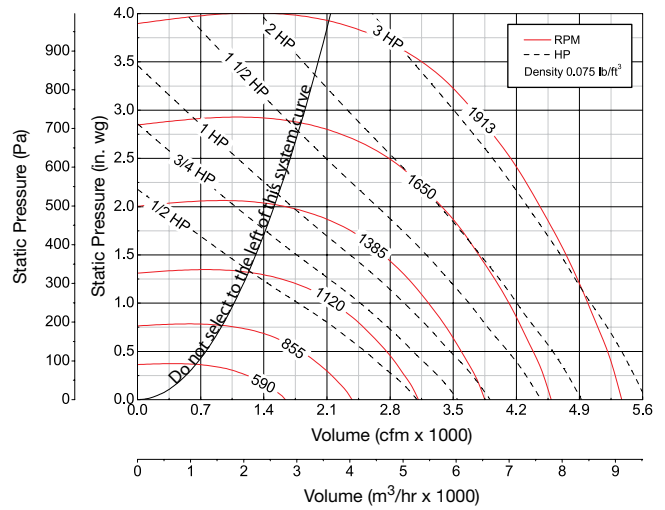
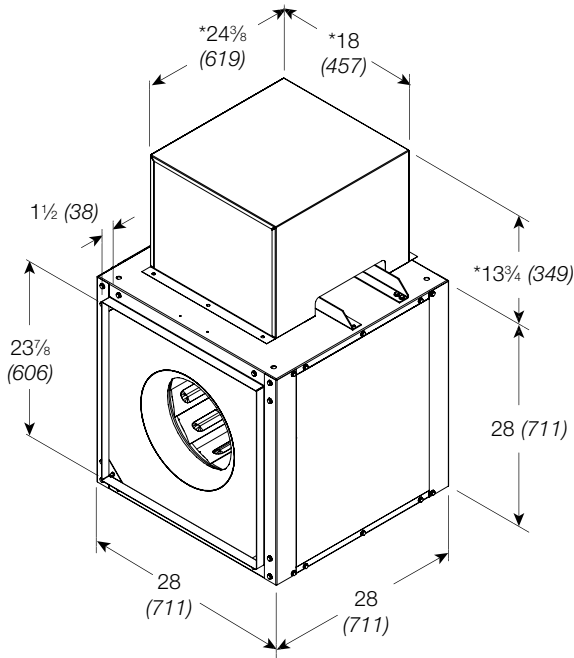
Performance certified is for installation Type B Free inlet, Ducted outlet. Performance ratings do not include the effects of appurtenances (accessories). Power rating (Bhp) does not include transmission losses.

The sound ratings shown are loudness values in fan sones at 5 ft. (1.5 m) in a hemispherical free field calculated per AMCA Standard 301. Values shown are for installation Type B Free inlet hemispherical sone levels.

Inline Fans

Performance and Dimensional Data

XIB-180HP



Dimensions shown in inches (millimeters).

*Motor cover is optional. Dimensions may vary with motor size.

Model Number	HP	RPM	Static Pressure (in. wg)																				
			0.5		0.75		1		1.25		1.5		1.75		2		2.5		3		3.5		
			sones	Bhp	sones	Bhp	sones	Bhp	sones	Bhp	sones	Bhp	sones	Bhp	sones	Bhp	sones	Bhp	sones	Bhp	sones	Bhp	
XIB-180HP-5	1/2	1000																					
		1083	10.9	0.44	10.0	0.45																	
XIB-180HP-7	3/4	1166	12.1	0.55	11.2	0.57	10.5	0.56															
		1249	13.4	0.67	12.6	0.70	11.7	0.71	10.9	0.69													
XIB-180HP-10	1	1332	14.7	0.82	14.1	0.85	13.2	0.87	12.4	0.87	11.4	0.82											
		1415	16.3	0.98	15.7	1.02	14.8	1.05	14.0	1.06	13.1	1.05	11.0	0.83									
XIB-180HP-15	1 1/2	1498	18.0	1.15	17.4	1.20	16.6	1.24	15.6	1.27	14.8	1.27	14.0	1.26									
		1581	19.9	1.35	19.1	1.41	18.6	1.45	17.6	1.49	16.8	1.51	15.9	1.51	15.0	1.48							
XIB-180HP-20	2	1664	22	1.57	21	1.64	20	1.69	19.7	1.73	18.9	1.76	18.2	1.77	17.3	1.77							
		1747	24	1.8	23	1.89	23	1.95	22	1.99	21	2.03	21	2.06	19.7	2.07	17.9	2.01					
XIB-180HP-30	3	1830	27	2.08	26	2.16	25	2.24	24	2.29	24	2.33	23	2.36	23	2.39	21	2.38	16.9	1.94			
		1913	30	2.38	29	2.46	28	2.55	27	2.60	27	2.65	26	2.69	25	2.73	24	2.75	22	2.69			
			33	2.70	32	2.78	31	2.88	30	2.95	30	3.00	29	3.05	29	3.09	28	3.14	26	3.12	23	2.96	

MAX. Bhp AT A GIVEN RPM = (RPM/1306)³
 MAXIMUM RPM = 1913
 TIP SPEED (ft/min) = RPM x 4.843
 MAX. NEMA MOTOR FRAME SIZE = 184T
 OUTLET VELOCITY (ft/min) = cfm x 0.2553
 HOUSING THICKNESS = 18 GA.
 APPROX. WEIGHT ~ 245 lbs. (111 kg)
 DAMPER SIZE = 24 x 24 in. (610 x 610 mm)

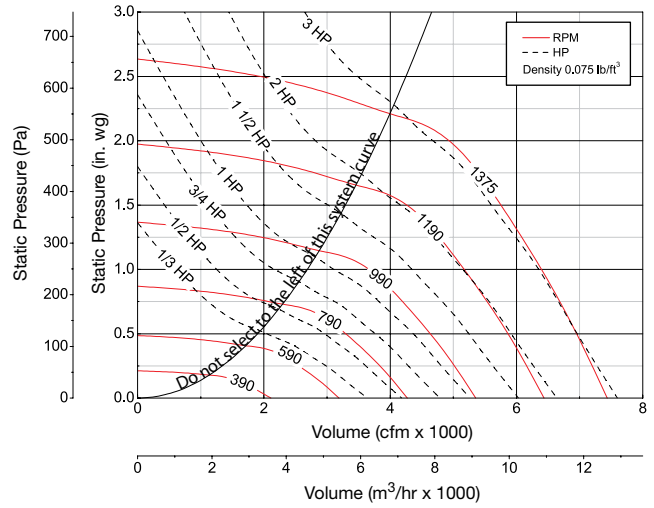
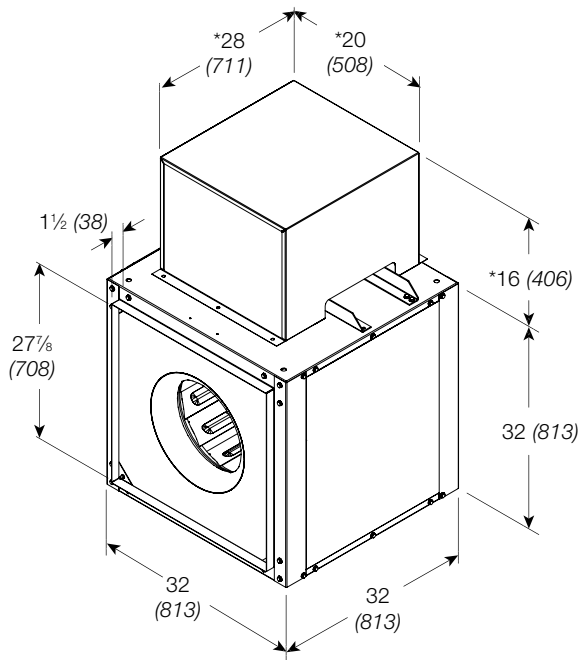
Performance certified is for installation Type B Free inlet, Ducted outlet. Performance ratings do not include the effects of appurtenances (accessories). Power rating (Bhp) does not include transmission losses.

The sound ratings shown are loudness values in fan sones at 5 ft. (1.5 m) in a hemispherical free field calculated per AMCA Standard 301. Values shown are for installation Type B Free inlet hemispherical sone levels.

Inline Fans

Performance and Dimensional Data

XIB-200



Dimensions shown in inches (millimeters).

*Motor cover is optional. Dimensions may vary with motor size.

Model Number	HP	RPM	Static Pressure (in. wg)																					
			0.125		0.25		0.5		0.75		0.875		1		1.25		1.5		1.75		2			
			sones	Bhp	sones	Bhp	sones	Bhp	sones	Bhp	sones	Bhp	sones	Bhp	sones	Bhp	sones	Bhp	sones	Bhp	sones	Bhp		
XIB-200-3	1/3	600	2960	2616																				
		660	11.1	0.25	10.6	0.26																		
XIB-200-5	1/2	756	3315	3018	2042																			
		811	11.7	0.33	11.2	0.34	10.5	0.33																
XIB-200-7	3/4	865	3867	3624	3036																			
		952	12.7	0.49	12.0	0.50	11.7	0.52																
XIB-200-10	1	1021	4179	3959	3442	2563																		
		1090	13.4	0.60	12.8	0.62	12.3	0.64	13.0	0.62														
XIB-200-15	1 1/2	1145	4484	4285	3812	3239	2516																	
		1200	14.1	0.73	13.7	0.75	13.1	0.77	13.0	0.79	13.9	0.72												
XIB-200-20	2	1287	4972	4796	4391	3916	3646	3203																
		1375	15.7	0.96	15.5	0.99	15.1	1.01	14.9	1.04	14.5	1.05	14.4	1.03										
XIB-200-30	3	1145	5357	5193	4827	4407	4175	3923																
		1200	17.4	1.18	17.2	1.21	16.8	1.24	16.7	1.27	16.7	1.29	16.1	1.29										
XIB-200-30	3	1287	19.1	1.43	18.9	1.47	18.7	1.51	18.5	1.54	18.6	1.55	18.7	1.57	17.3	1.56								
		1375	21	1.66	20	1.69	20	1.74	20	1.77	20	1.79	20	1.81	19.2	1.82	18.6	1.73						
XIB-200-30	3	1287	6046	5899	5588	5240	5047	4855	4413	3580														
		1375	22	1.91	22	1.94	21	2.00	21	2.02	21	2.04	21	2.06	21	2.09	19.8	2.08						
XIB-200-30	3	1287	6830	6699	6439	6138	5988	5818	5475	5088	4557													
		1375	25	2.34	24	2.38	24	2.46	24	2.49	23	2.50	23	2.52	23	2.56	23	2.58	22	2.56				
XIB-200-30	3	1287	7314	7192	6948	6677	6537	6396	6076	5753	5379	4862												
		1375	27	2.85	27	2.89	26	2.98	26	3.02	26	3.03	26	3.05	25	3.09	25	3.14	25	3.15	24	3.13		

MAX. Bhp AT A GIVEN RPM = (RPM/937)³
 MAXIMUM RPM = 1375
 TIP SPEED (ft/min) = RPM x 5.595
 MAX. NEMA MOTOR FRAME SIZE = 184T
 OUTLET VELOCITY (ft/min) = cfm x 0.1870
 HOUSING THICKNESS = 18 GA.
 APPROX. WEIGHT ~ 314 lbs. (142 kg)
 DAMPER SIZE = 28 x 28 in. (711 x 711 mm)

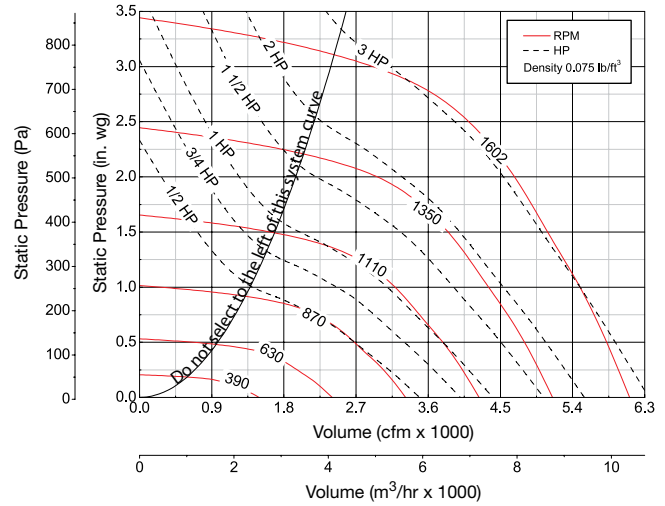
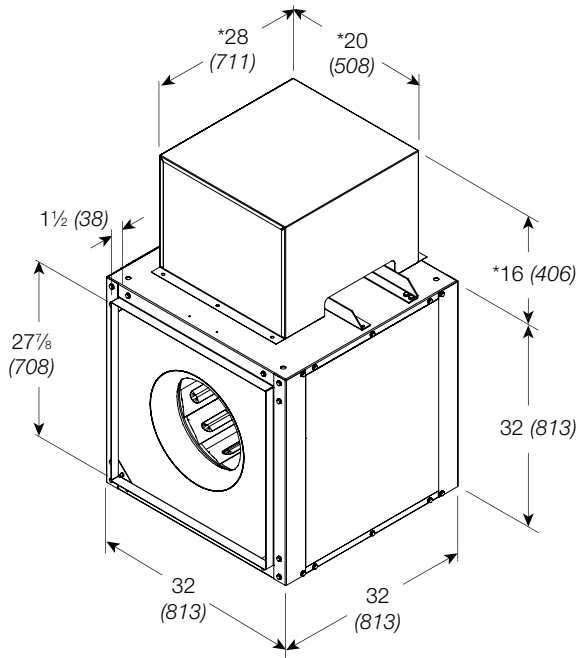
Performance certified is for installation Type B Free inlet, Ducted outlet. Performance ratings do not include the effects of appurtenances (accessories). Power rating (Bhp) does not include transmission losses.

The sound ratings shown are loudness values in fan sones at 5 ft. (1.5 m) in a hemispherical free field calculated per AMCA Standard 301. Values shown are for installation Type B Free inlet hemispherical sone levels.

Inline Fans

Performance and Dimensional Data

XIB-200HP



Dimensions shown in inches (millimeters).
 *Motor cover is optional. Dimensions may vary with motor size.

Model Number	HP	RPM	Static Pressure (in. wg)																			
			0.5		0.75		1		1.25		1.5		1.75		2		2.25		2.5		3	
			sones	Bhp	sones	Bhp	sones	Bhp	sones	Bhp	sones	Bhp	sones	Bhp	sones	Bhp	sones	Bhp	sones	Bhp	sones	Bhp
XIB-200HP-5	1/2	850	2580	2037																		
		880	12.3	0.47	11.6	0.47																
XIB-200HP-7	3/4	945	2724	2258																		
		1009	12.8	0.52	12.3	0.52																
XIB-200HP-10	1	1111	3032	2656	1943																	
		1191	14.2	0.63	14.1	0.65	12.4	0.61														
XIB-200HP-15	1 1/2	1271	3327	3003	2556																	
		1335	15.6	0.76	15.9	0.78	14.7	0.78														
XIB-200HP-20	2	1399	3787	3495	3179	2732																
		1467	16.9	1.00	17.4	1.03	16.9	1.05	15.3	1.04												
XIB-200HP-30	3	1534	4129	3870	3594	3263	2760															
		1602	17.9	1.22	18.0	1.26	18.9	1.28	17.2	1.29	15.7	1.27										

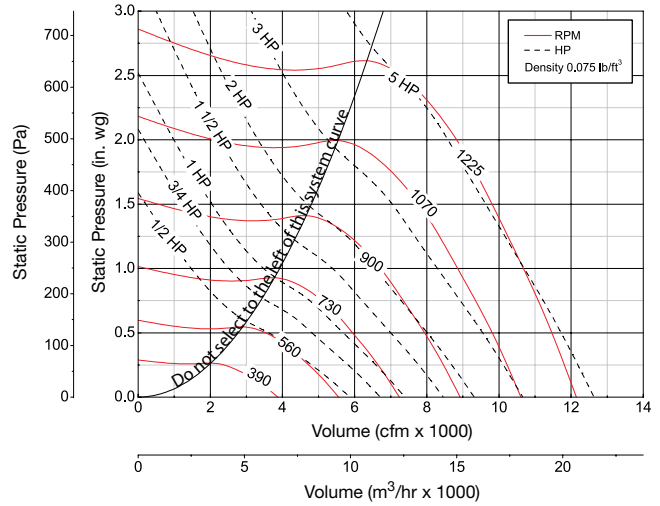
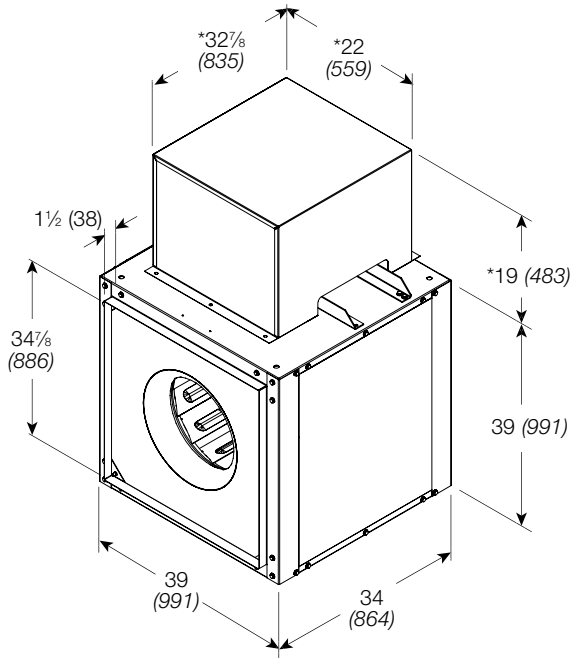
MAX. Bhp AT A GIVEN RPM = (RPM/1093)³
 MAXIMUM RPM = 1602
 1/2" IP SPEED (ft/min) = RPM x 5.595
 MAX. NEMA MOTOR FRAME SIZE = 184T
 OUTLET VELOCITY (ft/min) = cfm x 0.1870
 HOUSING THICKNESS = 18 GA.
 APPROX. WEIGHT ~ 314 lbs. (142 kg)
 DAMPER SIZE = 28 x 28 in. (711 x 711 mm)

Performance certified is for installation Type B Free inlet, Ducted outlet. Performance ratings do not include the effects of appurtenances (accessories). Power rating (Bhp) does not include transmission losses.
 The sound ratings shown are loudness values in fan sones at 5 ft. (1.5 m) in a hemispherical free field calculated per AMCA Standard 301. Values shown are for installation Type B Free inlet hemispherical sone levels.

Inline Fans

Performance and Dimensional Data

XIB-240



Dimensions shown in inches (millimeters).
 *Motor cover is optional. Dimensions may vary with motor size.

Model Number	HP	RPM	Static Pressure (in. wg)																					
			0.125		0.25		0.5		0.75		1		1.25		1.5		1.75		2		2.5			
			sones	Bhp	sones	Bhp	sones	Bhp	sones	Bhp	sones	Bhp	sones	Bhp	sones	Bhp	sones	Bhp	sones	Bhp	sones	Bhp		
XIB-240-5	1/2	500	4518	4001																				
		569	10.7	0.33	10.2	0.35																		
XIB-240-7	3/4	651	5269	4833	3685																			
		684	12.3	0.48	11.8	0.51	10.8	0.51																
XIB-240-10	1	717	6132	5768	4946																			
		826	14.3	0.70	13.9	0.74	12.9	0.78																
XIB-240-15	1 1/2	864	6475	6135	5368	4273																		
		903	15.2	0.81	14.9	0.85	13.8	0.90	12.6	0.89														
XIB-240-20	2	969	7935	7680	7086	6425	5604																	
		1034	19.5	1.41	19.5	1.45	18.7	1.54	17.4	1.59	16.2	1.58												
XIB-240-30	3	1098	8720	8488	7960	7384	6756	5889																
		1161	22	1.83	22	1.88	22	1.98	20	2.05	18.9	2.09	17.9	2.05										
XIB-240-50	5	1225	9390	9174	8695	8176	7612	6962	6075															
		1225	25	2.25	24	2.31	24	2.41	23	2.50	21	2.57	20	2.57	19.4	2.52								
			10048	9845	9409	8936	8421	7881	7219	6268														
			28	2.73	27	2.79	27	2.90	26	3.01	23	3.08	22	3.14	22	3.11	21	3.03						
			10694	10503	10105	9660	9192	8695	8160	7510	6451													
			31	3.26	31	3.32	30	3.44	29	3.56	26	3.65	24	3.72	24	3.76	23	3.72	22	3.58				
			11329	11149	10785	10363	9937	9475	8996	8450	7795													
			36	3.84	35	3.91	34	4.04	32	4.16	30	4.28	27	4.36	26	4.43	26	4.43	25	4.38				
			11973	11802	11460	11070	10671	10245	9804	9345	8797	7124												
			41	4.51	40	4.58	38	4.72	37	4.85	34	4.97	31	5.07	28	5.16	28	5.22	28	5.20	26	4.95		

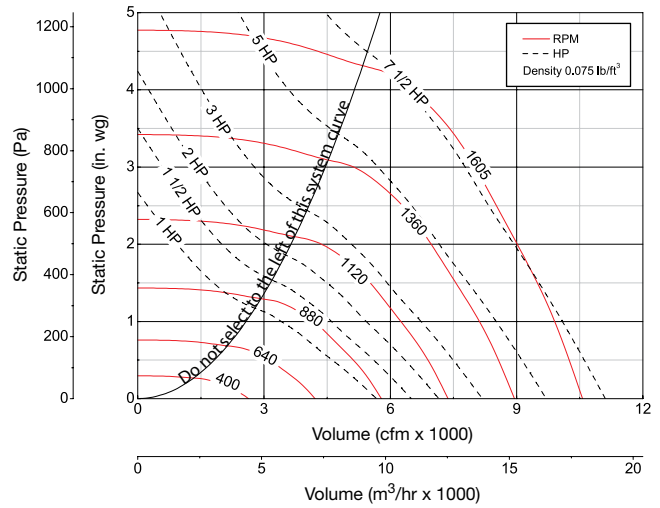
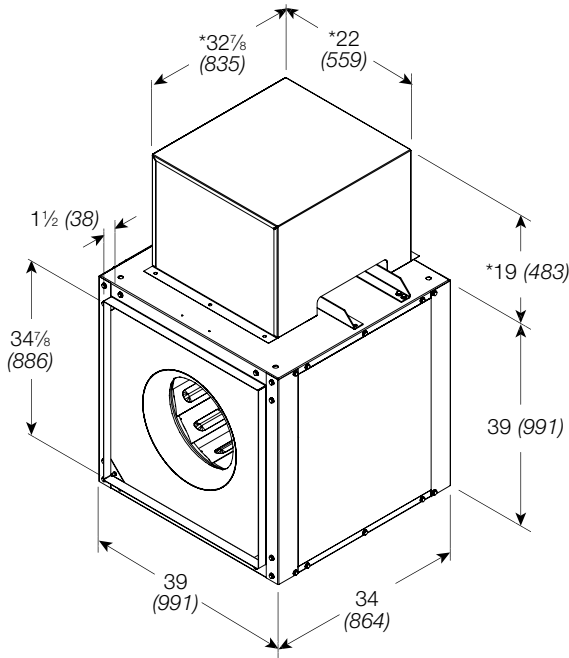
MAX. Bhp AT A GIVEN RPM = (RPM/706)³
 MAXIMUM RPM = 1225
 TIP SPEED (ft/min) = RPM x 6.414
 MAX. NEMA MOTOR FRAME SIZE = 215T
 OUTLET VELOCITY (ft/min) = cfm x 0.1192
 HOUSING THICKNESS = 18 GA.
 APPROX. WEIGHT ~ 415 lbs. (188 kg)
 DAMPER SIZE = 35 x 35 in. (889 x 889 mm)

Performance certified is for installation Type B Free inlet, Ducted outlet. Performance ratings do not include the effects of appurtenances (accessories). Power rating (Bhp) does not include transmission losses.
 The sound ratings shown are loudness values in fan sones at 5 ft. (1.5 m) in a hemispherical free field calculated per AMCA Standard 301. Values shown are for installation Type B Free inlet hemispherical sone levels.

Inline Fans

Performance and Dimensional Data

XIB-240HP



Dimensions shown in inches (millimeters).
 *Motor cover is optional. Dimensions may vary with motor size.

Model Number	HP	RPM	Static Pressure (in. wg)																				
			0.5		0.75		1		1.25		1.5		2		2.5		3		3.5		4		
			sones	Bhp	sones	Bhp	sones	Bhp	sones	Bhp	sones	Bhp	sones	Bhp	sones	Bhp	sones	Bhp	sones	Bhp	sones	Bhp	
XIB-240HP-10	1	780	4321	3791	2789																		
		820	14.4	0.88	14.0	0.90	13.5	0.83															
XIB-240HP-15	1 1/2	939	5552	5159	4721	4161																	
		986	18.1	1.48	17.3	1.54	16.8	1.55	16.3	1.55													
XIB-240HP-20	2	1033	5903	5541	5135	4693	4013																
		1183	19.2	1.69	18.2	1.76	17.9	1.81	17.5	1.82	17.0	1.76											
XIB-240HP-30	3	1329	6251	5909	5533	5128	4609																
		1402	20	1.93	19.3	2.01	18.9	2.07	18.6	2.09	18.2	2.07											
XIB-240HP-50	5	1470	7336	7046	6747	6419	6073	5209															
		1537	25	2.85	24	2.94	22	3.02	22	3.09	22	3.13	21	3.10									
XIB-240HP-75	7 1/2	1605	7843	7589	7307	7016	6700	6030	4920														
		1256	27	3.37	26	3.48	25	3.57	24	3.65	23	3.72	22	3.77	22	3.59							
		1329	8346	8125	7859	7593	7304	6686	5897														
		1402	30	3.96	28	4.09	27	4.18	26	4.28	25	4.35	24	4.44	23	4.40							
		1470	8848	8657	8405	8152	7897	7327	6721	5790													
		1537	33	4.61	31	4.77	30	4.86	29	4.96	27	5.06	25	5.20	25	5.24	24	5.09					
		1605	9313	9132	8908	8667	8427	7901	7334	6622	5565												
		1537	36	5.28	34	5.44	32	5.57	32	5.67	31	5.77	27	5.94	26	6.02	25	5.97	24	5.70			
		1605	9769	9596	9400	9170	8940	8454	7926	7373	6568												
		1537	39	6.00	38	6.18	35	6.32	35	6.43	35	6.54	29	6.73	28	6.86	27	6.90	26	6.77			
		1605	10232	10066	9896	9675	9455	9007	8512	7987	7348	6474											
		1605	43	6.80	42	6.98	39	7.16	38	7.27	38	7.38	34	7.61	30	7.78	29	7.84	28	7.80	27	7.57	

MAX. Bhp AT A GIVEN RPM = (RPM/807)²
 MAXIMUM RPM = 1605
 TIP SPEED (ft/min) = RPM x 6.414
 MAX. NEMA MOTOR FRAME SIZE = 215T
 OUTLET VELOCITY (ft/min) = cfm x 0.1192
 HOUSING THICKNESS = 18 GA.
 APPROX. WEIGHT ~ 415 lbs. (188 kg)
 DAMPER SIZE = 35 x 35 in. (889 x 889 mm)

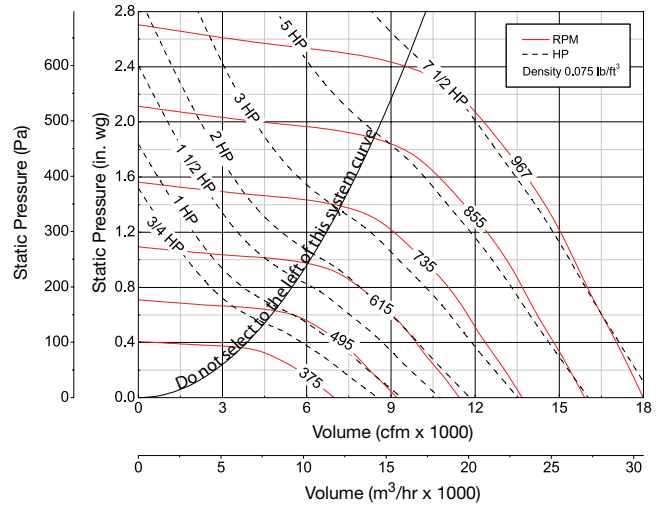
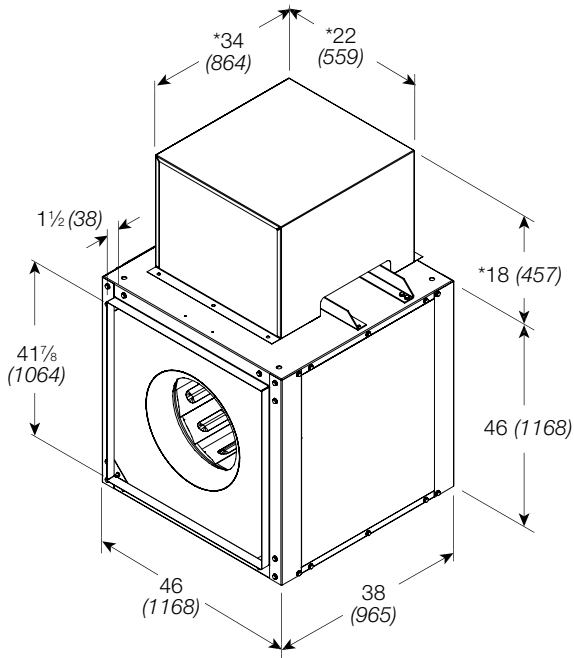
Performance certified is for installation Type B Free inlet, Ducted outlet. Performance ratings do not include the effects of appurtenances (accessories). Power rating (Bhp) does not include transmission losses.

The sound ratings shown are loudness values in fan sones at 5 ft. (1.5 m) in a hemispherical free field calculated per AMCA Standard 301. Values shown are for installation Type B Free inlet hemispherical sone levels.

Inline Fans

Performance and Dimensional Data

XIB-300



Dimensions shown in inches (millimeters).

*Motor cover is optional. Dimensions may vary with motor size.

Model Number	HP	RPM	Static Pressure (in. wg)																					
			0.125		0.25		0.5		0.75		1		1.25		1.5		1.75		2		2.25			
			sones	Bhp	sones	Bhp	sones	Bhp	sones	Bhp	sones	Bhp	sones	Bhp	sones	Bhp	sones	Bhp	sones	Bhp	sones	Bhp		
XIB-300-7	3/4	410	10.4	0.57	10.3	0.60																		
		449	12.2	0.75	11.6	0.78	10.5	0.73																
XIB-300-10	1	494	14.7	0.99	13.8	1.02	12.0	1.04																
		566	17.2	1.48	16.6	1.51	15.1	1.57	13.5	1.52														
XIB-300-20	2	623	19.3	1.96	19.0	2.00	17.7	2.08	16.3	2.09														
		668	21	2.40	21	2.46	19.8	2.54	18.5	2.59	17.2	2.52												
XIB-300-30	3	713	23	2.91	23	2.97	22	3.06	21	3.13	19.8	3.13	18.5	2.95										
		757	25	3.47	25	3.55	24	3.64	23	3.73	22	3.76	21	3.68										
XIB-300-50	5	801	26	4.10	26	4.19	26	4.29	25	4.39	24	4.46	23	4.44	22	4.30								
		845	27	4.80	27	4.90	28	5.01	27	5.12	26	5.20	25	5.23	24	5.16	23	4.93						
XIB-300-75	7 1/2	906	30	5.91	30	6.00	31	6.14	30	6.25	29	6.37	29	6.44	27	6.44	26	6.34	26	6.10				
		967	33	7.17	33	7.27	34	7.44	34	7.55	33	7.68	33	7.78	32	7.85	30	7.82	29	7.71	28	7.50		

MAX. Bhp AT A GIVEN RPM = (RPM/486)³
 MAXIMUM RPM = 967
 TIP SPEED (ft/min) = RPM x 7.984
 MAX. NEMA MOTOR FRAME SIZE = 215T
 OUTLET VELOCITY (ft/min) = cfm x 0.0826
 HOUSING THICKNESS = 16 GA.
 APPROX. WEIGHT ~ 537 lbs. (244 kg)
 DAMPER SIZE = 42 x 42 in. (1067 x 1067 mm)

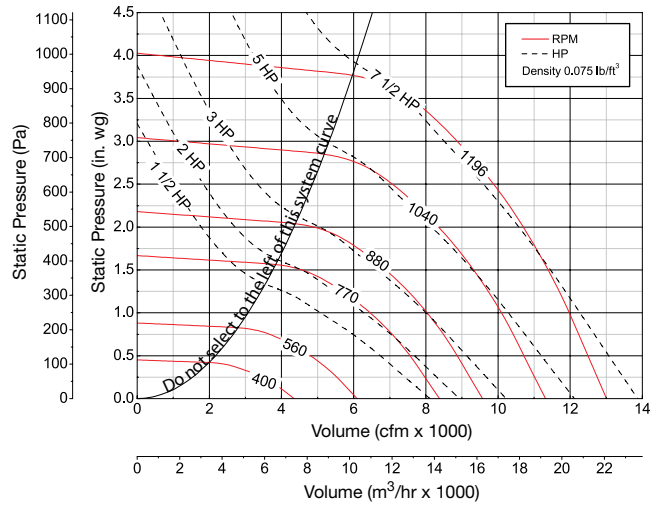
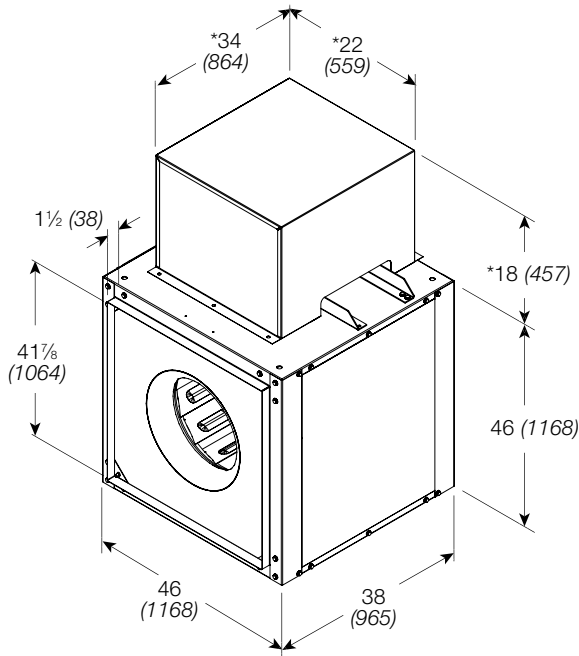
Performance certified is for installation Type B Free inlet, Ducted outlet. Performance ratings do not include the effects of appurtenances (accessories). Power rating (Bhp) does not include transmission losses.

The sound ratings shown are loudness values in fan sones at 5 ft. (1.5 m) in a hemispherical free field calculated per AMCA Standard 301. Values shown are for installation Type B Free inlet hemispherical sone levels.

Inline Fans

Performance and Dimensional Data

XIB-300HP



Dimensions shown in inches (millimeters).

*Motor cover is optional. Dimensions may vary with motor size.

Model Number	HP	RPM	Static Pressure (in. wg)																					
			0.5		0.75		1		1.25		1.5		1.75		2		2.5		3		3.5			
			sones	Bhp	sones	Bhp	sones	Bhp	sones	Bhp	sones	Bhp	sones	Bhp	sones	Bhp	sones	Bhp	sones	Bhp	sones	Bhp		
XIB-300HP-15	1 1/2	620	14.4	1.06	14.0	1.10																		
		694	16.5	1.44	16.1	1.51	15.8	1.53	16.3	1.36														
XIB-300HP-20	2	725	17.5	1.63	17.2	1.71	16.8	1.75	16.6	1.72														
		777	19.3	1.98	19.1	2.07	18.5	2.13	18.4	2.15	18.2	2.07												
XIB-300HP-30	3	829	21	2.36	21	2.47	21	2.56	20	2.61	20	2.61	20	2.40										
		882	23	2.81	24	2.94	23	3.04	22	3.11	22	3.16	22	3.14	22	2.84								
		934	26	3.29	26	3.44	26	3.56	25	3.65	25	3.72	25	3.74	24	3.71								
XIB-300HP-50	5	987	27	3.85	27	4.02	27	4.14	26	4.25	26	4.35	25	4.40	25	4.41	25	3.99						
		1039	28	4.45	27	4.63	27	4.78	27	4.91	26	5.01	26	5.09	26	5.14	25	5.09						
		1091	29	5.11	28	5.30	28	5.48	28	5.61	27	5.73	27	5.83	26	5.91	26	5.96	26	5.57				
XIB-300HP-75	7 1/2	1144	29	5.86	29	6.05	29	6.25	29	6.40	29	6.54	28	6.65	27	6.76	27	6.88	26	6.82				
		1196	30	6.65	30	6.86	30	7.07	30	7.24	30	7.39	29	7.53	28	7.64	28	7.81	28	7.85	27	7.63		

MAX. Bhp AT A GIVEN RPM = (RPM/602)³
 MAXIMUM RPM = 1196
 TIP SPEED (ft/min) = RPM x 7.984
 MAX. NEMA MOTOR FRAME SIZE = 215T
 OUTLET VELOCITY (ft/min) = cfm x 0.0826
 HOUSING THICKNESS = 16 GA.
 APPROX. WEIGHT ~ 537 lbs. (244 kg)
 DAMPER SIZE = 42 x 42 in. (1067 x 1067 mm)

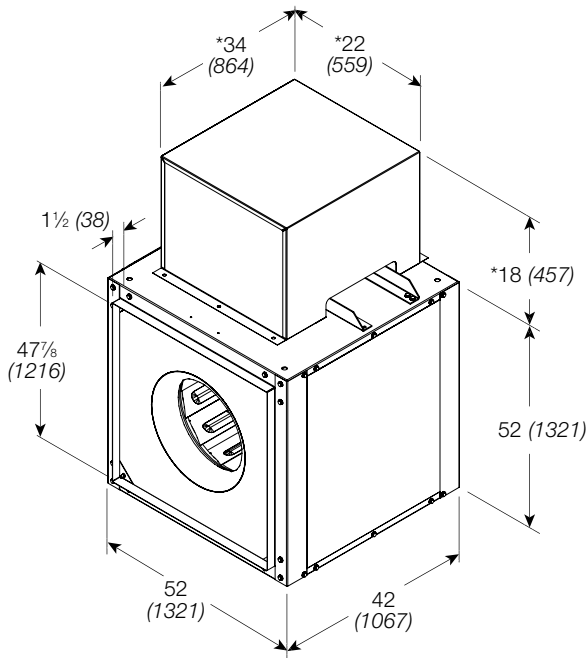
Performance certified is for installation Type B Free inlet, Ducted outlet. Performance ratings do not include the effects of appurtenances (accessories). Power rating (Bhp) does not include transmission losses.

The sound ratings shown are loudness values in fan sones at 5 ft. (1.5 m) in a hemispherical free field calculated per AMCA Standard 301. Values shown are for installation Type B Free inlet hemispherical sone levels.

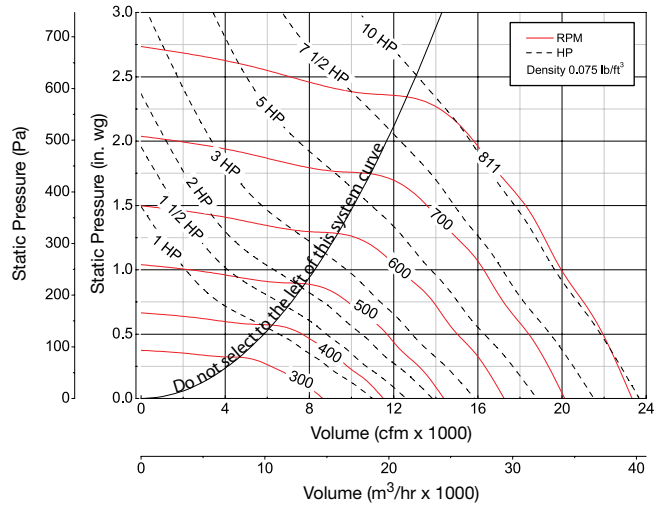
Inline Fans

Performance and Dimensional Data

XIB-360



Dimensions shown in inches (millimeters).
 *Motor cover is optional. Dimensions may vary with motor size



Model Number	HP	RPM	Static Pressure (in. wg)																				
			0.125		0.25		0.5		0.75		1		1.25		1.5		1.75		2		2.25		
			sones	Bhp	sones	Bhp	sones	Bhp	sones	Bhp	sones	Bhp	sones	Bhp	sones	Bhp	sones	Bhp	sones	Bhp	sones	Bhp	
XIB-360-10	1	320	10.8	0.63	10.5	0.64																	
		376	12.6	1.02	12.5	1.04																	
XIB-360-15	1 1/2	404	13.6	1.25	13.6	1.28	12.2	1.25															
		431	14.7	1.51	14.7	1.55	13.7	1.55															
XIB-360-20	2	474	16.1	1.99	16.6	2.05	15.7	2.09	14.1	1.96													
XIB-360-30	3	543	19.1	2.96	19.6	3.05	19.4	3.12	18.1	3.12	16.6	2.93											
		593	24	3.84	24	3.93	23	4.04	22	4.10	21	4.00											
XIB-360-50	5	643	28	4.87	27	4.98	27	5.13	26	5.19	25	5.19	23	5.05									
		690	29	6.00	29	6.12	29	6.31	28	6.38	28	6.45	27	6.38	25	6.20							
XIB-360-75	7 1/2	737	31	7.30	31	7.42	32	7.66	32	7.75	31	7.82	30	7.84	29	7.72	28	7.49					
		774	32	8.44	32	8.57	33	8.82	34	8.95	33	9.03	33	9.11	32	9.03	30	8.86	30	8.55			
XIB-360-100	10	811	33	9.69	34	9.83	35	10.1	37	10.3	36	10.4	35	10.4	34	10.5	33	10.3	32	10.1	32	9.73	

MAX. Bhp AT A GIVEN RPM = (RPM/370)³
 MAXIMUM RPM = 811
 TIP SPEED (ft/min) = RPM x 9.424
 MAX. NEMA MOTOR FRAME SIZE = 215T
 OUTLET VELOCITY (ft/min) = cfm x 0.0632
 HOUSING THICKNESS = 16 GA.
 APPROX. WEIGHT ~ 686 lbs. (311 kg)
 DAMPER SIZE = 48 x 48 in. (1219 x 1219 mm)

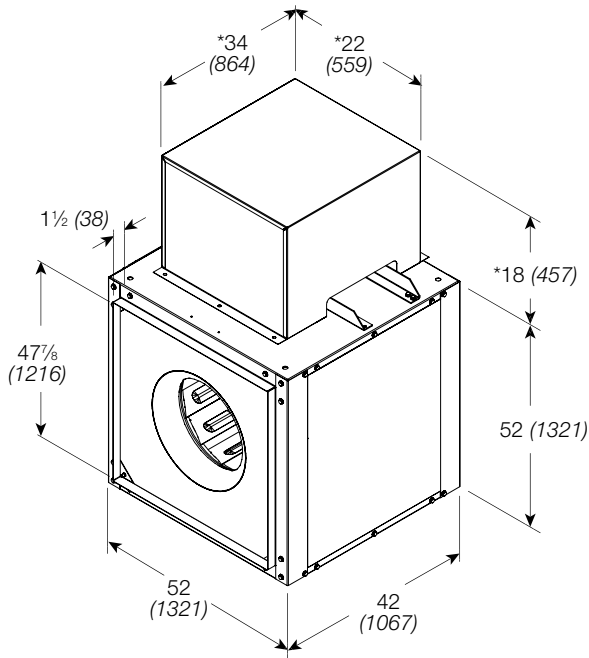
Performance certified is for installation Type B Free inlet, Ducted outlet. Performance ratings do not include the effects of appurtenances (accessories). Power rating (Bhp) does not include transmission losses.

The sound ratings shown are loudness values in fan sones at 5 ft. (1.5 m) in a hemispherical free field calculated per AMCA Standard 301. Values shown are for installation Type B Free inlet hemispherical sone levels.

Inline Fans

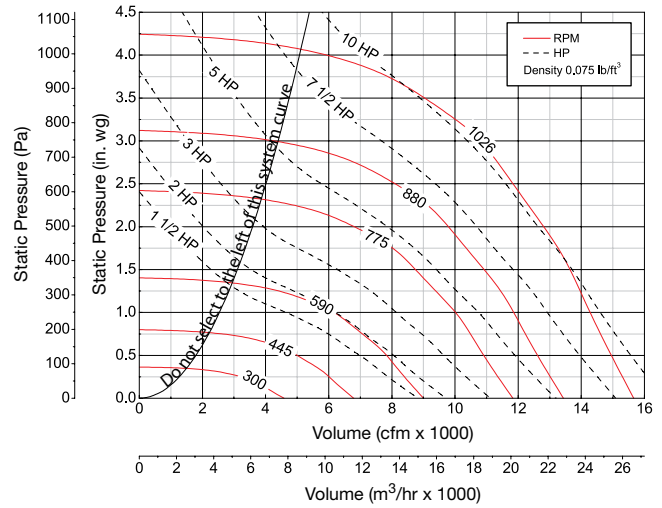
Performance and Dimensional Data

XIB-360HP



Dimensions shown in inches (millimeters).

*Motor cover is optional. Dimensions may vary with motor size



Model Number	HP	RPM	Static Pressure (in. wg)																					
			0.5		0.75		1		1.25		1.5		2		2.5		3		3.5		4			
			sones	Bhp	sones	Bhp	sones	Bhp	sones	Bhp	sones	Bhp	sones	Bhp	sones	Bhp	sones	Bhp	sones	Bhp	sones	Bhp		
XIB-360HP-15	1 1/2	490	16.1	1.12	15.8	1.12																		
		545	17.6	1.51	16.9	1.55	16.9	1.51																
XIB-360HP-20	2	600	18.4	1.97	17.6	2.06	17.3	2.09	17.4	1.99														
		644	19.0	2.40	18.3	2.52	17.7	2.55	17.7	2.57	18.1	2.37												
XIB-360HP-30	3	687	19.5	2.87	19.0	3.01	18.4	3.09	18.2	3.12	18.2	3.09												
		730	20	3.41	19.7	3.56	19.2	3.69	18.6	3.71	18.6	3.77	20	3.28										
XIB-360HP-50	5	772	21	3.98	20	4.15	20	4.30	19.5	4.38	19.2	4.41	19.2	4.30										
		815	21	4.63	21	4.83	21	4.99	20	5.13	20	5.16	19.9	5.20	22	4.55								
XIB-360HP-75	7 1/2	874	24	5.65	23	5.88	23	6.05	22	6.22	22	6.35	22	6.42	22	6.29								
		933	27	6.80	27	7.04	25	7.26	25	7.45	25	7.61	24	7.75	24	7.86	25	7.52						
XIB-360HP-100	10	980	30	7.83	30	8.08	28	8.33	27	8.53	27	8.72	27	8.96	26	9.05	27	8.99	28	8.27				
		1026	33	8.93	34	9.20	32	9.47	30	9.69	29	9.89	30	10.2	29	10.3	29	10.5	30	10.1	32	8.60		

MAX. Bhp AT A GIVEN RPM = (RPM/469)³
 MAXIMUM RPM = 1026
 TIP SPEED (ft/min) = RPM x 9.424
 MAX. NEMA MOTOR FRAME SIZE = 215T
 OUTLET VELOCITY (ft/min) = cfm x 0.0632
 HOUSING THICKNESS = 16 GA.
 APPROX. WEIGHT ~ 686 lbs. (311 kg)
 DAMPER SIZE = 48 x 48 in. (1219 x 1219 mm)

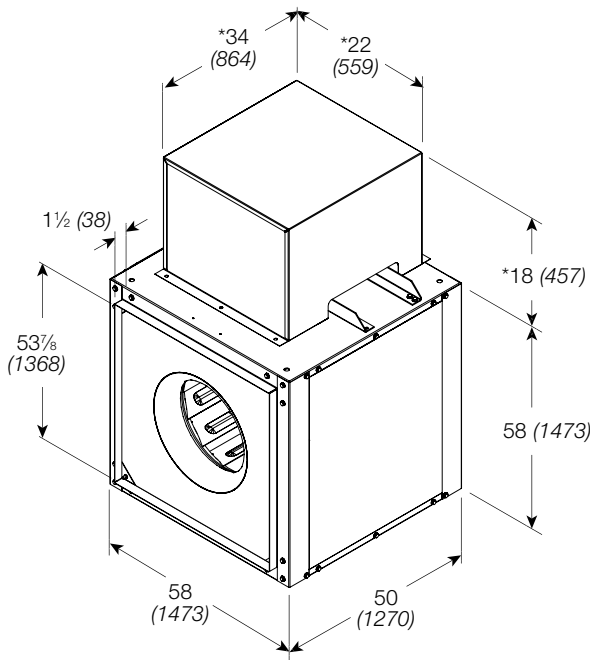
Performance certified is for installation Type B Free inlet, Ducted outlet. Performance ratings do not include the effects of appurtenances (accessories). Power rating (Bhp) does not include transmission losses.

The sound ratings shown are loudness values in fan sones at 5 ft. (1.5 m) in a hemispherical free field calculated per AMCA Standard 301. Values shown are for installation Type B Free inlet hemispherical sone levels.

Inline Fans

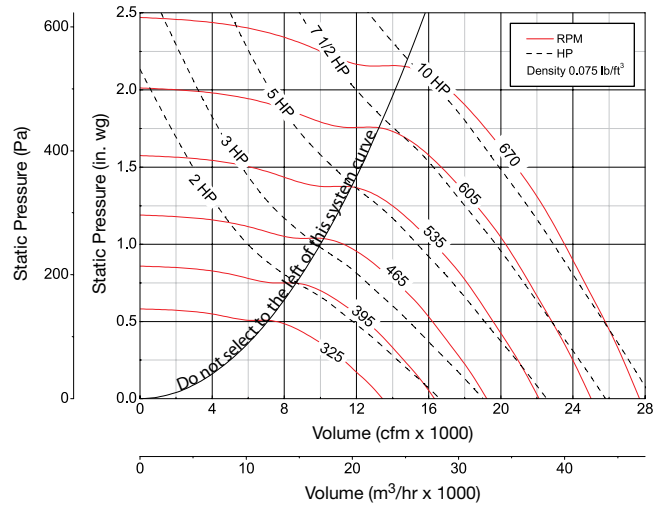
Performance and Dimensional Data

XIB-420



Dimensions shown in inches (millimeters).

*Motor cover is optional. Dimensions may vary with motor size



Model Number	HP	RPM	Static Pressure (in. wg)																					
			0.125		0.25		0.375		0.5		0.75		1		1.25		1.5		1.75		2			
			sones	Bhp	sones	Bhp	sones	Bhp	sones	Bhp	sones	Bhp	sones	Bhp	sones	Bhp	sones	Bhp	sones	Bhp	sones	Bhp		
XIB-420-20	2	270	6.0	0.68	3.3	0.70																		
		310	11745	10506	8836																			
		349	13501	12428	11210	9592																		
		389	15275	14340	13334	12132																		
		417	16500	15633	14714	13745	11026																	
XIB-420-30	3	445	17704	16910	16068	15188	12941																	
		20	2.86	19.5	2.96	18.6	3.05	17.7	3.11	15.9	3.12													
		487	19500	18801	18054	17257	15475	13113																
XIB-420-50	5	528	22854	22301	21659	21017	19644	18080	16134	13026														
		25	4.70	24	4.85	23	4.97	23	5.08	21	5.22	20	5.24	18.7	4.99									
XIB-420-75	7 1/2	604	24459	23950	23363	22762	21502	20206	18533	16581														
		31	6.98	30	7.17	30	7.32	29	7.45	28	7.66	27	7.83	26	7.84	25	7.71							
XIB-420-100	10	635	25765	25281	24743	24171	22996	21762	20341	18681	16692													
		35	8.09	33	8.29	33	8.46	32	8.60	31	8.85	30	9.03	30	9.12	29	9.09	28	8.88					
		670	27237	26778	26291	25749	24660	23491	22322	20793	19111	16873												
		39	9.47	37	9.69	36	9.88	36	10.0	34	10.3	34	10.5	34	10.7	33	10.7	32	10.6	31	10.2			

MAX. Bhp AT A GIVEN RPM = (RPM/304)³
 MAXIMUM RPM = 670
 TIP SPEED (ft/min) = RPM x 11.060
 MAX. NEMA MOTOR FRAME SIZE = 215T
 OUTLET VELOCITY (ft/min) = cfm x 0.0496
 HOUSING THICKNESS = 14 GA.
 APPROX. WEIGHT ~ 789 lbs. (358 kg)
 DAMPER SIZE = 54 x 54 in. (1372 x 1372 mm)

Performance certified is for installation Type B Free inlet, Ducted outlet. Performance ratings do not include the effects of appurtenances (accessories). Power rating (Bhp) does not include transmission losses.

The sound ratings shown are loudness values in fan sones at 5 ft. (1.5 m) in a hemispherical free field calculated per AMCA Standard 301. Values shown are for installation Type B Free inlet hemispherical sone levels.

Inline Fans

Performance Comparison Data

XID 60 - 95

Size 60

Model Number	HP	RPM	Static Pressure (in. wg)															
			0		0.1		0.125		0.25		0.375		0.5		0.625		0.75	
			sones	Bhp	sones	Bhp	sones	Bhp	sones	Bhp	sones	Bhp	sones	Bhp	sones	Bhp	sones	Bhp
XID-60-E	1/140	1050	126		79		63											
			1.7	0.005	1.8	0.007	1.8	0.007										
XID-60-G	1/80	1300	156		118		110		37									
			2.5	0.01	2.5	0.012	2.5	0.012	2.5	0.012								
XID-60-D	1/40	1550	186		153		146		105		32							
			4.0	0.017	4.0	0.019	4.0	0.02	4.0	0.022	4.1	0.019						

Size 65

XID-65-E	1/140	1050	154		98		79										
			2.1	0.32	2.0	0.32	1.9	0.32									
XID-65-G	1/80	1300	191		150		137		52								
			2.9	0.6	2.9	0.61	2.9	0.61	2.8	0.6							
XID-65-D	1/40	1550	228		194		185		129		46						
			4.2	1.02	4.1	1.03	4.0	1.03	3.8	1.03	3.5	1.02					

Size 70

XID-70-E	1/100	1050	212		141		119										
			2.7	0.008	1.7	0.009	1.5	0.009									
XID-70-G	1/50	1300	263		205		191		77								
			4.1	0.015	3.4	0.018	3.3	0.018	2.5	0.015							
XID-70-D	1/30	1550	313		265		253		190		67						
			5.6	0.026	5.2	0.029	5.1	0.03	4.7	0.03	4.0	0.025					

Size 75

XID-75-E	1/100	1050	241		167		147										
			3.6	0.01	2.9	0.011	2.8	0.011									
XID-75-G	1/50	1300	299		239		225		133								
			4.1	0.019	3.7	0.021	3.7	0.021	3.5	0.019							
XID-75-D	1/30	1550	356		307		294		229		137						
			6.1	0.032	5.5	0.034	5.4	0.035	4.9	0.035	4.8	0.032					

Size 80

XID-80-E	1/40	1050	306		241		225		105								
			3.8	0.011	3.7	0.014	3.6	0.015	4.1	0.016							
XID-80-G	1/20	1300	379		325		313		244		140						
			5.4	0.021	5.4	0.025	5.4	0.026	5.4	0.032	5.5	0.031					
XID-80-D	1/12	1550	452		405		395		343		280		201				
			7.3	0.035	7.3	0.039	7.3	0.041	7.2	0.047	7.3	0.055	7.6	0.055			

Size 85

XID-85-E	1/40	1050	358		292		272		142								
			4.0	0.012	3.9	0.016	3.9	0.017	4.0	0.017							
XID-85-G	1/20	1300	443		391		378		299		186						
			5.5	0.024	5.3	0.028	5.3	0.028	5.3	0.033	5.4	0.033					
XID-85-D	1/12	1550	528		485		474		414		344		254				
			7.6	0.04	7.4	0.045	7.4	0.046	7.4	0.052	7.4	0.056	7.6	0.057			

Size 90

XID-90-E	1/50	1050	500		399		370		188								
			4.0	0.06	3.9	0.02	3.9	0.02	4.1	0.02							
XID-90-G	1/25	1300	619		540		519		398		245						
			5.4	0.03	5.4	0.035	5.4	0.036	5.5	0.04	5.6	0.038					
XID-90-D	1/10	1550	738		673		655		565		457		334				
			7.6	0.051	7.5	0.057	7.5	0.059	7.4	0.064	7.4	0.068	7.4	0.067			

Size 95

XID-95-E	1/30	1050	623		507		475		275								
			4.9	0.028	4.5	0.03	4.5	0.031	4.5	0.03							
XID-95-G	1/15	1300	771		684		660		523		352						
			7.6	0.053	6.8	0.056	6.7	0.057	6.4	0.059	6.4	0.057					
XID-95-D	1/8	1550	920		853		930		720		604		462		276		
			9.6	0.09	9.4	0.093	9.3	0.094	8.7	0.097	8.1	0.1	9.6	0.099	7.1	0.091	

Performance certified is for installation Type B Free inlet, Ducted outlet. Performance ratings do not include the effects of appurtenances (accessories). The sound ratings shown are loudness values in fan sonos at 5 ft. (1.5 m) in a hemispherical free field calculated per AMCA Standard 301. Values shown are for installation Type B Free inlet hemispherical sonos levels.

Inline Fans

Performance Comparison and Dimensional Data

XID 100 - 160

Size 100

Model Number	HP	RPM	Static Pressure (in. wg)															
			0		0.25		0.5		0.75		1		1.25		1.5		1.75	
			sones	Bhp	sones	Bhp	sones	Bhp	sones	Bhp	sones	Bhp	sones	Bhp	sones	Bhp	sones	Bhp
XID-100-C	1/8	860	725 4.8 0.027															
XID-100-B	1/6	1140	961 7.4 0.064		786 6.1 0.071													
XID-100-A	1/4	1725	1455 13.1 0.22		1350 11.9 0.23		1227 11.1 0.24		1078 10.4 0.25		831 9.6 0.22							

Size 120

XID-120-C	1/8	860	971 4.5 0.051		704 3.3 0.059													
XID-120-B	1/6	1140	1287 7.4 1.12		1095 7.0 0.13		873 5.9 0.14											
XID-120-A	1/4	1725	1948 14.7 0.41		1819 13.8 0.42		1692 13.5 0.45		1563 13.2 0.46		1417 12.6 0.48		1240 11.9 0.48					

Size 130

XID-130-C	1/8	860	1181 6.3 0.067		891 4.6 0.078													
XID-130-B	1/4	1140	1565 9.4 0.16		1367 7.4 0.18		1105 6.5 0.18											
XID-130-A	3/4	1725	2368 17.4 0.54		2247 17.1 0.57		2105 16.6 0.6		1961 15.9 0.62		1791 15.7 0.63		1559 15.6 0.61					

Size 140

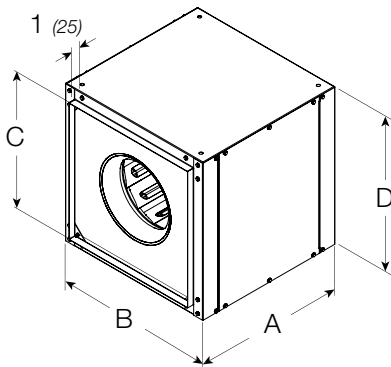
XID-140-C	1/8	860	1637 7.1 0.12		1317 6.2 0.13													
XID-140-B	1/3	1140	2170 10.8 0.27		1942 10.1 0.29		1667 9.8 0.3		1122 9.4 0.27									
XID-140-A	1	1725	3284 20 0.93		3140 19.3 0.97		2985 18.7 1.0		2826 18.4 1.03		2646 18.2 1.03		2424 17.6 1.03		2085 16.7 1.01		1625 15.9 0.93	

Size 160

XID-160-C	1/4	860	2506 8.9 0.2		2148 7.3 0.23		1605 6.6 0.24											
XID-160-B	1/2	1140	3322 14.0 0.47		3062 12.8 0.51		2733 11.9 0.54		2388 11.4 0.56		1808 10.8 0.51							
XID-160-A	2	1725	5027 26 1.64		4857 25 1.69		4684 24 1.74		4504 24 1.8		4312 24 1.85		4094 24 1.89		3845 24 1.93		3575 24 1.95	

Performance certified is for installation Type B Free inlet, Ducted outlet. Performance ratings do not include the effects of appurtenances (accessories). The sound ratings shown are loudness values in fan sones at 5 ft. (1.5 m) in a hemispherical free field calculated per AMCA Standard 301. Values shown are for installation Type B Free inlet hemispherical sone levels.

XID Dimensions



Dimensional Data	Model XID						
	60-75	80-95	100	120	130	140	160
A	13 (330)	16 (406)	21 (533)	21 (534)	21 (534)	22 (559)	26 (660)
B	12 (305)	15 (381)	17 (432)	19 (483)	21 (534)	23 (584)	26 (660)
C*	8 ⁷ / ₈ (225)	11 ⁷ / ₈ (302)	13 ⁷ / ₈ (352)	15 ⁷ / ₈ (403)	17 ⁷ / ₈ (454)	19 ⁷ / ₈ (505)	22 ⁷ / ₈ (581)
D	12 (305)	15 (381)	17 (432)	19 (483)	21 (534)	23 (584)	26 (660)
Outlet Velocity	1.828 x cfm	1.021 x cfm	0.748 x cfm	0.571 x cfm	0.451 x cfm	0.364 x cfm	0.275 x cfm
Unit Weight**	lbs. 26	41	56	67	77	104	160
	(kg) 12	19	25	30	35	47	73
Housing Material Thickness (ga)	20		20	20	20	18	18
Damper Size	in. 9 x 9	12 x 12	14 x 14	16 x 16	18 x 18	20 x 20	23 x 23
	(mm) 229 x 229	305 x 305	356 x 356	406 x 406	457 x 457	508 x 508	584 x 584

Dimensions shown in inches (millimeters).

*May be greater depending on motor.

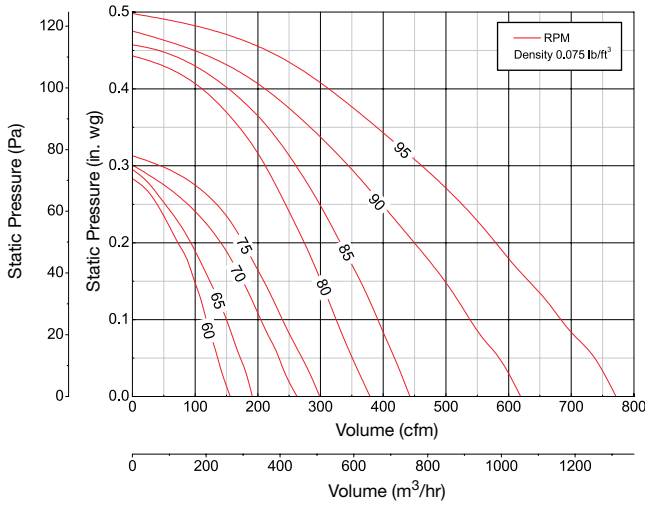
**Weight shown is largest cataloged Open Drip Proof motor.

Inline Fans

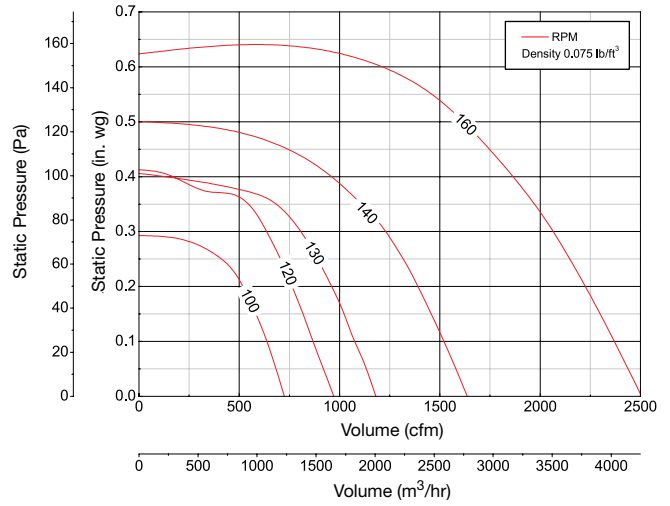
Performance Comparison Data

XID 60 - 160

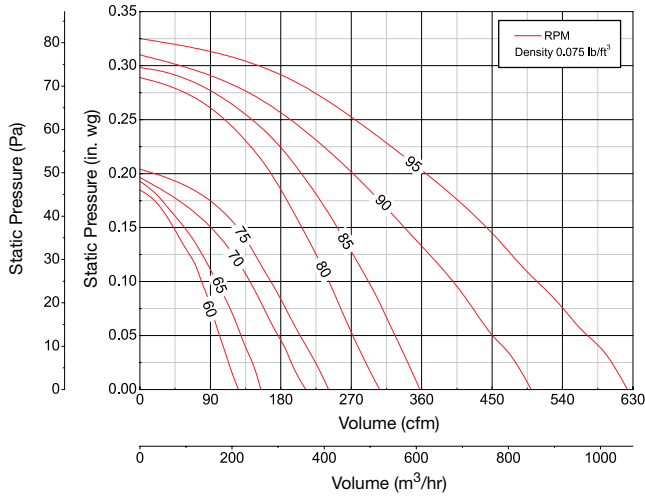
1300 RPM



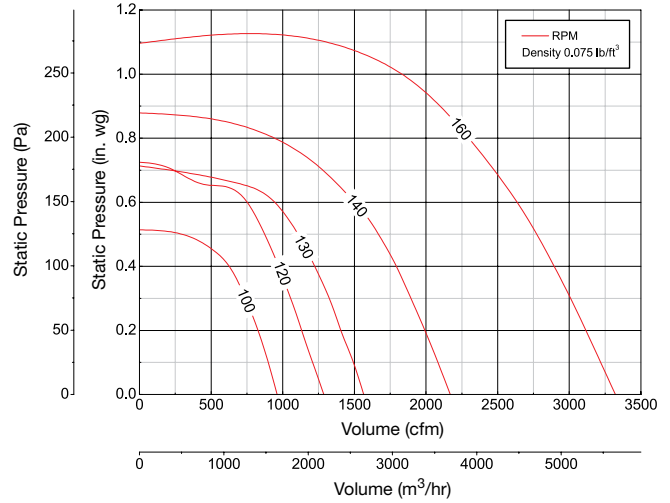
860 RPM



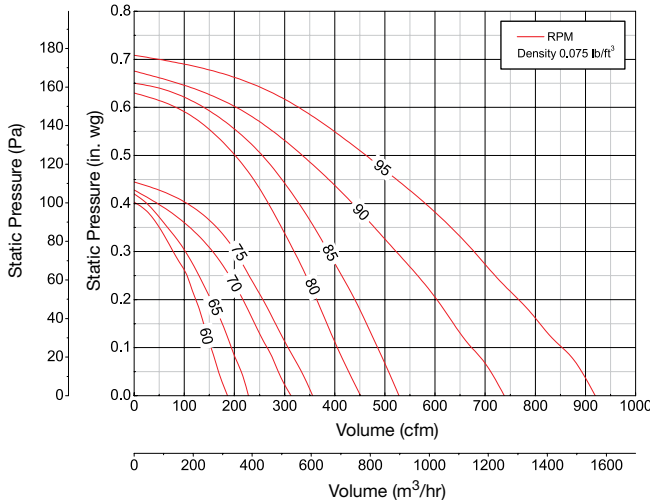
1050 RPM



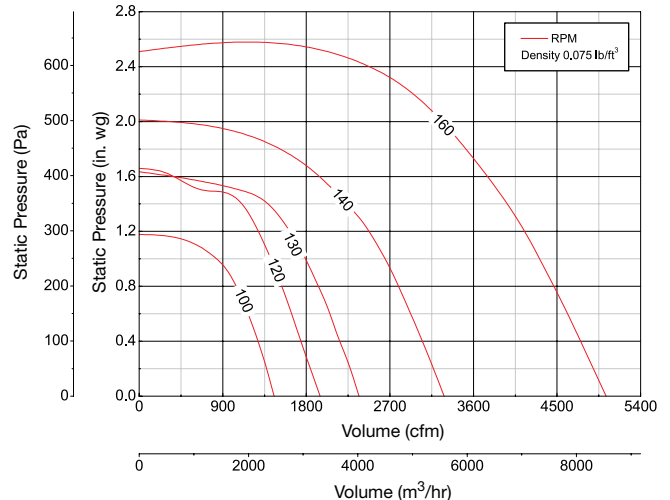
1140 RPM



1550 RPM



1725 RPM



Performance certified for installation Type B Free inlet, Ducted outlet. Performance ratings do not include the effects of appurtenances (accessories).

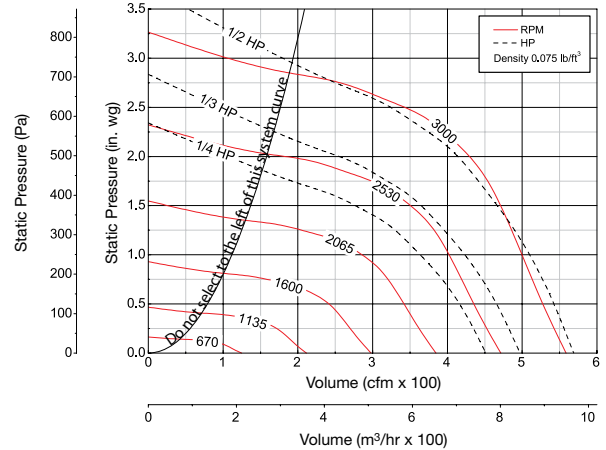
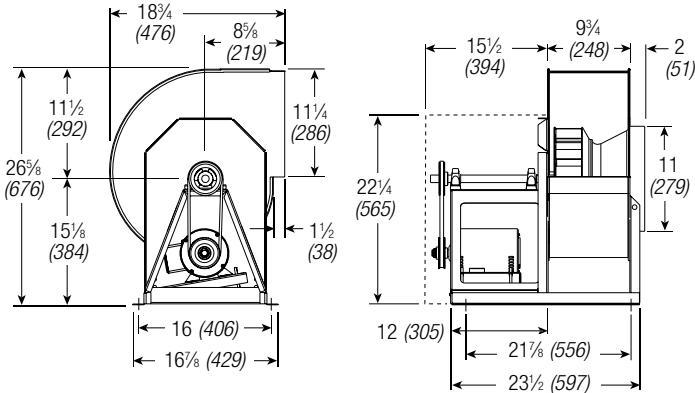
The sound ratings shown are loudness values in fan sones at 5 ft. (1.5 m) in a hemispherical free field calculated per AMCA Standard 301. Values shown are for installation Type B Free inlet hemispherical sone levels.



Utility Fans

Performance and Dimensional Data

XUEB-106 - Belt Drive • Series 100



Wheel Diameter = 11 1/8 (283)
 Shaft Diameter = 3/4 (19)
 Outlet Area = 0.76 ft² (0.071 m²)
 ^Approximate Unit Weight = 135 lbs. (61 kg)

All dimensions in inches (millimeters).
 ^Weight shown is largest cataloged Open Drip Proof motor.

Model Number	Fan cfm		Static Pressure (in. wg)																					
			0.25	0.5	0.75	1	1.25	1.5	1.75	2	2.25	2.5												
XUEB-106	100	RPM	936	1273	1542																			
		Bhp	0.02	0.04	0.06																			
	140	sones	5.4	6.8	8.0																			
		RPM	1023	1322	1574	1799	1999	2179																
	180	Bhp	0.02	0.04	0.07	0.11	0.14	0.18																
		sones	6.0	7.1	8.4	9.8	11.5	13.1																
	220	RPM	1172	1398	1632	1843	2031	2210	2376	2531	2676	2813												
		Bhp	0.03	0.05	0.08	0.12	0.16	0.20	0.24	0.29	0.34	0.39												
	260	sones	6.6	7.5	8.9	10.2	11.9	13.4	14.8	16.3	17.9	19.4												
		RPM	1356	1522	1712	1906	2088	2257	2413	2561	2706	2844												
	300	Bhp	0.05	0.07	0.10	0.13	0.17	0.22	0.26	0.31	0.37	0.42												
		sones	7.2	8.2	9.4	10.9	12.6	13.9	15.2	16.7	18.3	19.8												
	340	RPM	1550	1681	1830	1993	2155	2318	2470	2614	2751	2880												
		Bhp	0.07	0.09	0.12	0.15	0.19	0.24	0.29	0.34	0.39	0.45												
	380	sones	8.0	9.0	10.2	11.8	13.2	14.5	15.9	17.4	18.8	20												
		RPM	1749	1866	1976	2113	2253	2391	2537	2676	2808	2936												
	420	Bhp	0.09	0.12	0.15	0.18	0.22	0.27	0.32	0.37	0.42	0.48												
		sones	9.1	10.1	11.3	12.8	14.0	15.2	16.6	18.0	19.5	21												
	460	RPM	1952	2056	2158	2258	2379	2500	2626	2745	2876	3000												
		Bhp	0.13	0.15	0.19	0.22	0.26	0.31	0.35	0.41	0.46	0.52												
	500	sones	10.5	11.5	12.5	13.7	14.9	16.2	17.5	18.7	20	22												
		RPM	2156	2253	2344	2434	2524	2633	2736	2852	2963													
		Bhp	0.17	0.20	0.23	0.27	0.31	0.35	0.40	0.45	0.51													
		sones	12.2	12.8	13.7	14.7	16.2	17.4	18.6	19.9	21													
	RPM	2361	2452	2535	2618	2699	2779	2879	2973															
	Bhp	0.23	0.26	0.29	0.33	0.37	0.42	0.46	0.51															
	sones	14.7	14.2	15.1	16.1	17.2	18.8	20	21															
	RPM	2567	2654	2732	2806	2883	2956																	
	Bhp	0.29	0.32	0.36	0.40	0.44	0.49																	
	sones	17.9	16.2	16.9	17.8	18.9																		
	RPM	2775	2858	2931																				
	Bhp	0.37	0.40	0.44																				
	sones	22	22	18.9																				

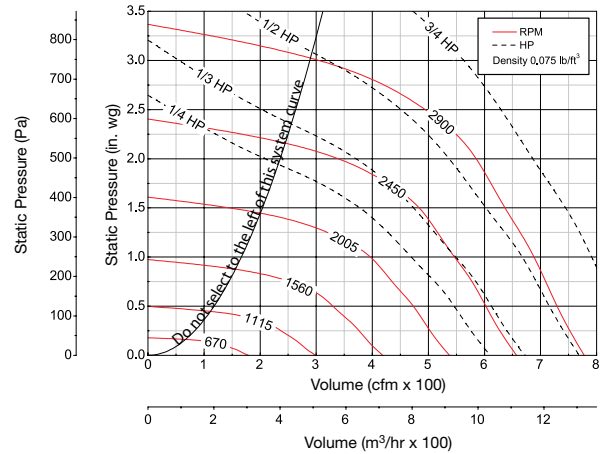
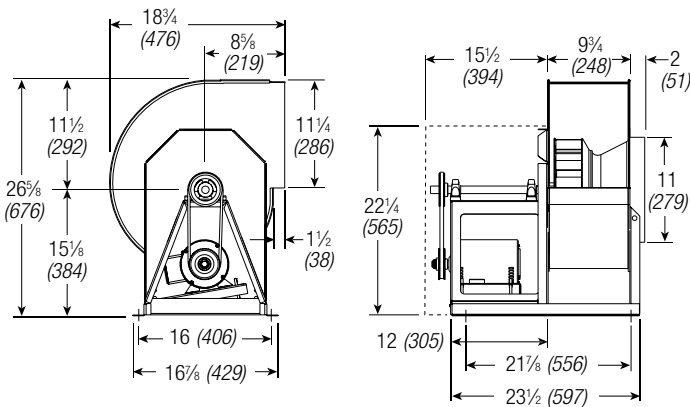
MAXIMUM Bhp AT A GIVEN RPM = (RPM/3706)³
 MAXIMUM RPM = 3000
 TIP SPEED (ft/min) = RPM x 2.91
 MAXIMUM MOTOR FRAME SIZE = 145T

Performance certified is for installation Type B Free inlet, Ducted outlet. Power rating (Bhp) does not include transmission losses. Performance ratings do not include the effects of appurtenances (accessories). The AMCA Certified Ratings seal applies to air performance ratings only.

Utility Fans

Performance and Dimensional Data

XUEB-107 - Belt Drive • Series 100



Wheel Diameter = 11 1/8 (283)
 Shaft Diameter = 3/4 (19)
 Outlet Area = 0.76 ft² (0.071 m²)
 ^Approximate Unit Weight = 135 lbs. (61 kg)

All dimensions in inches (millimeters).
 ^Weight shown is largest cataloged Open Drip Proof motor.

Model Number	Fan cfm		Static Pressure (in. wg)																					
			0.25	0.5	0.75	1	1.25	1.5	1.75	2	2.25	2.5												
XUEB-107	140	RPM	891																					
		Bhp	0.02																					
		sones	4.5																					
	200	RPM	1008			1494	1695	1877																
		Bhp	0.02			0.07	0.10	0.13																
		sones	5.1			7.3	8.5	9.8																
	260	RPM	1184			1572	1759	1931	2088	2239	2380	2512												
		Bhp	0.04			0.09	0.12	0.15	0.19	0.23	0.27	0.32												
		sones	6.0			7.7	8.8	10.1	11.3	12.6	13.8	15.2												
	320	RPM	1372			1686	1848	2005	2156	2299	2432	2559	2684											
		Bhp	0.06			0.11	0.14	0.18	0.22	0.26	0.30	0.35	0.40											
		sones	7.3			8.4	9.5	10.6	11.8	13.0	14.2	15.6	17.0											
	380	RPM	1573			1840	1970	2105	2244	2375	2502	2627	2745											
		Bhp	0.09			0.14	0.18	0.21	0.25	0.30	0.34	0.39	0.44											
		sones	8.6			9.7	10.7	11.6	12.6	13.7	14.9	16.3	17.6											
	440	RPM	1782			2020	2129	2238	2358	2472	2593	2708	2817											
		Bhp	0.12			0.19	0.22	0.26	0.30	0.34	0.39	0.44	0.49											
		sones	10.1			11.3	12.0	12.7	13.7	14.7	15.9	17.2	18.5											
	500	RPM	1994			2205	2308	2404	2493	2601	2705	2805												
		Bhp	0.17			0.24	0.28	0.32	0.36	0.41	0.45	0.50												
		sones	11.8			12.9	13.5	14.2	14.9	16.1	17.2	18.3												
	560	RPM	2208			2394	2492	2583	2669	2751	2838													
		Bhp	0.23			0.30	0.35	0.39	0.44	0.48	0.53													
		sones	14.1			14.7	15.5	16.1	16.8	17.5	18.4													
620	RPM	2421			2593	2680	2767	2850																
	Bhp	0.30			0.38	0.43	0.48	0.53																
	sones	16.6			16.7	17.6	18.5	19.1																
680	RPM	2636			2799	2872																		
	Bhp	0.39			0.48	0.52																		
	sones	19.5			19.0	19.9																		
740	RPM	2852																						
	Bhp	0.5																						
	sones	23																						

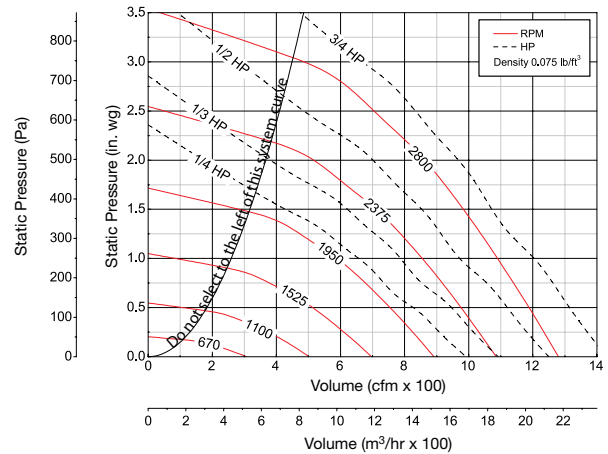
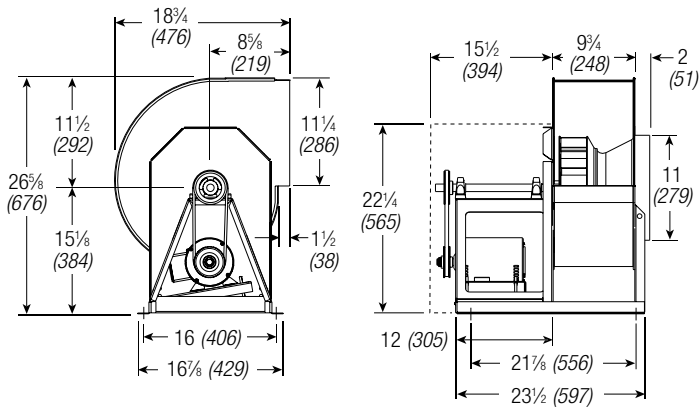
MAXIMUM Bhp AT A GIVEN RPM = (RPM/3493)³
 MAXIMUM RPM = 2900
 TIP SPEED (ft/min) = RPM x 2.91
 MAXIMUM MOTOR FRAME SIZE = 145T

Performance certified is for installation Type B Free inlet, Ducted outlet. Power rating (Bhp) does not include transmission losses. Performance ratings do not include the effects of appurtenances (accessories). The AMCA Certified Ratings seal applies to air performance ratings only.

Utility Fans

Performance and Dimensional Data

XUEB-108 - Belt Drive • Series 100



Wheel Diameter = 11 1/8 (283)
 Shaft Diameter = 3/4 (19)
 Outlet Area = 0.76 ft² (0.071 m²)
 ^Approximate Unit Weight = 135 lbs. (61 kg)

All dimensions in inches (millimeters).
 ^Weight shown is largest cataloged Open Drip Proof motor.

Model Number	Fan cfm		Static Pressure (in. wg)																					
			0.25	0.5	0.75	1	1.25	1.5	1.75	2	2.25	2.5												
XUEB-108	200	RPM	860	1148																				
		Bhp	0.02	0.04																				
		sones	5.5	6.8																				
	300	RPM	982	1235	1443	1635	1805																	
		Bhp	0.03	0.05	0.09	0.12	0.16																	
		sones	6.6	7.0	7.7	8.7	9.6																	
	400	RPM	1141	1357	1551	1719	1872	2025	2165	2296	2419													
		Bhp	0.04	0.07	0.11	0.15	0.19	0.24	0.29	0.34	0.40													
		sones	7.2	7.7	8.2	9.0	9.8	10.7	11.5	12.4	13.5													
	500	RPM	1317	1506	1675	1837	1983	2117	2241	2364	2487	2603												
		Bhp	0.07	0.10	0.14	0.18	0.23	0.28	0.33	0.39	0.45	0.51												
		sones	8.0	8.6	9.2	9.8	10.5	11.1	11.7	12.0	12.9	13.9	14.8											
	600	RPM	1504	1673	1825	1965	2105	2234	2356	2471	2579	2681												
		Bhp	0.09	0.14	0.18	0.22	0.27	0.32	0.38	0.44	0.50	0.57												
		sones	9.1	9.8	10.5	11.2	11.8	12.3	13.0	13.7	14.6	15.5												
	700	RPM	1699	1849	1989	2119	2242	2361	2478	2589	2695	2796												
		Bhp	0.13	0.18	0.23	0.28	0.33	0.39	0.44	0.50	0.56	0.63												
		sones	10.3	11.5	12.5	12.9	13.3	13.9	14.6	14.8	15.7	16.6												
	800	RPM	1899	2035	2162	2282	2396	2507	2610	2715														
		Bhp	0.18	0.23	0.29	0.34	0.40	0.46	0.52	0.59														
		sones	12.1	13.3	13.9	14.5	15.0	15.6	16.2	17.0														
	900	RPM	2102	2227	2344	2455	2561	2662	2763															
		Bhp	0.24	0.30	0.37	0.43	0.49	0.54	0.61															
		sones	13.9	14.7	15.5	16.2	16.8	17.4	18.1															
1000	RPM	2308	2423	2531	2634	2733																		
	Bhp	0.32	0.38	0.45	0.53	0.59																		
	sones	15.6	16.6	17.4	18.2	18.9																		
1100	RPM	2517	2623	2723																				
	Bhp	0.41	0.48	0.55																				
	sones	18.7	18.7	19.7																				
1200	RPM	2728																						
	Bhp	0.52																						
	sones	23																						

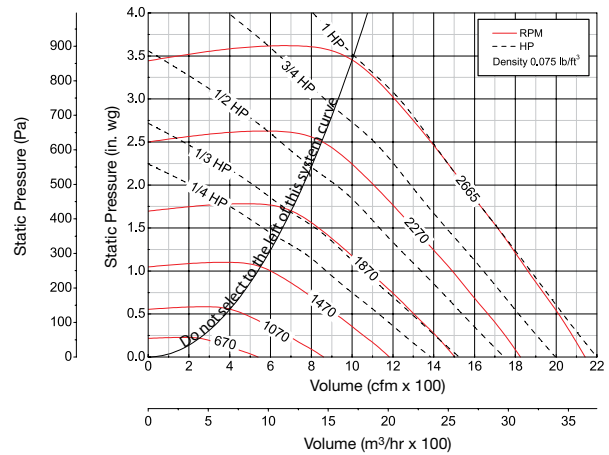
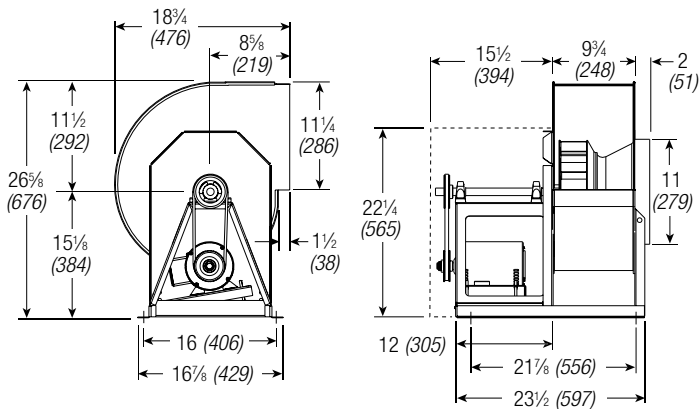
MAXIMUM Bhp AT A GIVEN RPM = (RPM/3233)³
 MAXIMUM RPM = 2800
 TIP SPEED (ft/min) = RPM x 2.91
 MAXIMUM MOTOR FRAME SIZE = 145T

Performance certified is for installation Type B Free inlet, Ducted outlet. Power rating (Bhp) does not include transmission losses. Performance ratings do not include the effects of appurtenances (accessories). The AMCA Certified Ratings seal applies to air performance ratings only.

Utility Fans

Performance and Dimensional Data

XUEB-110 - Belt Drive • Series 100



Wheel Diameter = 11 1/8" (283)
 Shaft Diameter = 3/4" (19)
 Outlet Area = 0.76 ft² (0.071 m²)
 ^Approximate Unit Weight = 135 lbs. (61 kg)

All dimensions in inches (millimeters).
 ^Weight shown is largest cataloged Open Drip Proof motor.

Model Number	Fan cfm		Static Pressure (in. wg)																			
			0.25	0.5	0.75	1	1.25	1.5	1.75	2	2.25	2.5										
XUEB-110	500	RPM	898	1094	1264																	
		Bhp	0.04	0.07	0.10																	
		sones	8.5	8.8	9.0																	
	650	RPM	1040	1218	1368	1508	1635															
		Bhp	0.06	0.10	0.13	0.18	0.23															
		sones	9.0	9.2	9.4	9.9	10.5															
	800	RPM	1192	1356	1496	1621	1735	1849	1955	2054												
		Bhp	0.09	0.13	0.18	0.22	0.27	0.33	0.39	0.45												
		sones	9.7	9.9	10.1	10.9	11.5	11.4	12.1	13.3												
	950	RPM	1353	1501	1633	1750	1859	1961	2055	2153	2245	2332										
		Bhp	0.13	0.18	0.23	0.28	0.34	0.39	0.45	0.52	0.59	0.66										
		sones	10.6	10.9	11.6	12.1	12.1	12.6	13.1	14.0	15.3	16.7										
	1100	RPM	1519	1653	1776	1888	1991	2088	2179	2267	2349	2433										
		Bhp	0.18	0.24	0.30	0.36	0.42	0.48	0.54	0.61	0.67	0.75										
		sones	12.0	12.7	13.0	13.4	13.9	14.4	15.0	16.1	17.3	18.6										
	1250	RPM	1688	1813	1924	2031	2130	2222	2309	2394	2474	2551										
		Bhp	0.25	0.31	0.37	0.44	0.51	0.58	0.65	0.72	0.79	0.87										
		sones	14.2	14.3	14.8	15.5	16.2	17.0	18.2	19.3	21	21										
	1400	RPM	1859	1976	2080	2179	2274	2362	2446	2526	2603											
		Bhp	0.33	0.40	0.47	0.54	0.62	0.70	0.77	0.85	0.93											
sones		16.0	16.3	17.0	17.8	18.9	20	22	23	22												
1550	RPM	2033	2141	2241	2332	2421	2506	2588														
	Bhp	0.43	0.51	0.59	0.67	0.75	0.83	0.91														
	sones	18.3	18.8	19.6	21	22	23	23														
1700	RPM	2211	2310	2404	2491	2573	2654															
	Bhp	0.55	0.63	0.72	0.81	0.89	0.98															
	sones	21	22	23	24	24	24															
1850	RPM	2391	2480	2569	2652																	
	Bhp	0.69	0.78	0.88	0.97																	
	sones	24	25	25	26																	
2000	RPM	2571	2652																			
	Bhp	0.86	0.96																			
	sones	27	27																			

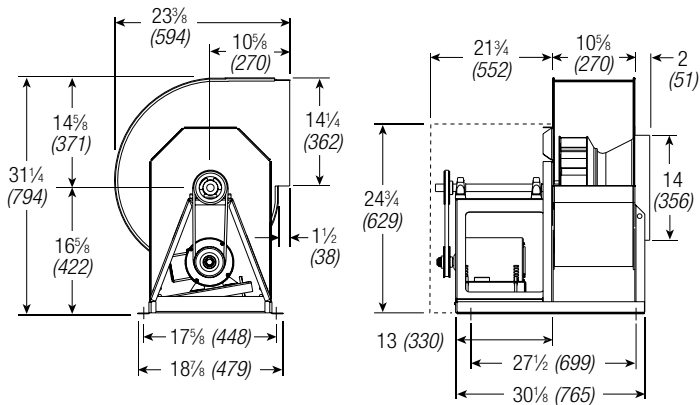
MAXIMUM Bhp AT A GIVEN RPM = (RPM/2665)³
 MAXIMUM RPM = 2665
 TIP SPEED (ft/min) = RPM x 2.91
 MAXIMUM MOTOR FRAME SIZE = 145T

Performance certified is for installation Type B Free inlet, Ducted outlet. Power rating (Bhp) does not include transmission losses. Performance ratings do not include the effects of appurtenances (accessories). The AMCA Certified Ratings seal applies to air performance ratings only.

Utility Fans

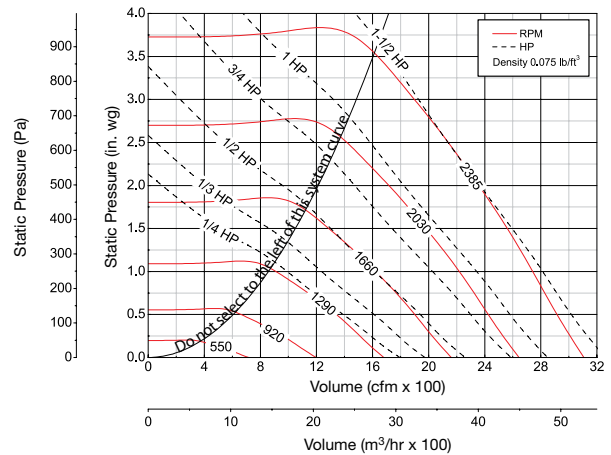
Performance and Dimensional Data

XUEB-113 - Belt Drive • Series 100



Wheel Diameter = $13\frac{1}{8}$ (333)
 Shaft Diameter = $3/4$ (19)
 Outlet Area = 1.03 ft^2 (0.096 m^2)
 ^Approximate Unit Weight = 175 lbs. (79 kg)

All dimensions in inches (millimeters).
 ^Weight shown is largest cataloged Open Drip Proof motor.



Model Number	Fan cfm		Static Pressure (in. wg)																					
			0.25	0.5	0.75	1	1.25	1.5	1.75	2	2.25	2.5												
XUEB-113	700	RPM	767	939																				
		Bhp	0.05	0.09																				
		sones	5.4	5.7																				
	900	RPM	883	1037	1168	1291																		
		Bhp	0.08	0.12	0.17	0.23																		
		sones	6.2	6.9	8.3	9.0																		
	1100	RPM	1009	1147	1269	1378	1482	1580																
		Bhp	0.11	0.17	0.22	0.28	0.35	0.41																
		sones	7.4	8.5	9.1	9.7	10.2	11.0																
	1300	RPM	1144	1266	1378	1480	1576	1665	1753	1837	1916													
		Bhp	0.16	0.22	0.29	0.36	0.43	0.50	0.58	0.65	0.73													
		sones	8.8	9.5	10.1	10.7	11.3	12.0	12.8	13.8	15.1													
	1500	RPM	1283	1391	1494	1591	1680	1766	1846	1922	1999	2073												
		Bhp	0.22	0.29	0.37	0.44	0.52	0.60	0.68	0.77	0.85	0.94												
		sones	10.0	10.8	11.5	12.2	12.9	13.6	14.3	15.2	15.8	16.4												
	1700	RPM	1424	1524	1617	1706	1792	1872	1948	2023	2093	2161												
		Bhp	0.30	0.37	0.46	0.55	0.63	0.72	0.81	0.91	1.00	1.09												
		sones	11.9	12.7	13.3	13.9	14.7	15.5	16.2	16.7	17.2	17.8												
	1900	RPM	1569	1659	1745	1828	1907	1984	2057	2126	2194	2261												
		Bhp	0.39	0.48	0.57	0.66	0.76	0.86	0.96	1.06	1.16	1.27												
		sones	13.8	14.6	15.3	16.1	16.9	17.4	17.9	18.4	18.9	19.6												
	2100	RPM	1714	1799	1878	1953	2029	2101	2170	2238	2302	2364												
		Bhp	0.51	0.60	0.70	0.80	0.91	1.02	1.13	1.24	1.35	1.46												
		sones	15.9	16.8	17.8	18.2	18.7	19.2	19.8	20	21	22												
2300	RPM	1860	1940	2014	2085	2153	2222	2288	2352															
	Bhp	0.64	0.75	0.85	0.96	1.08	1.19	1.31	1.43															
	sones	18.1	19.0	19.7	20	21	21	22	23															
2500	RPM	2007	2083	2153	2219	2284	2347																	
	Bhp	0.80	0.92	1.03	1.15	1.27	1.40																	
	sones	20	21	21	22	23	24																	
2700	RPM	2154	2228	2293	2356																			
	Bhp	0.99	1.12	1.24	1.36																			
	sones	22	23	24	24																			

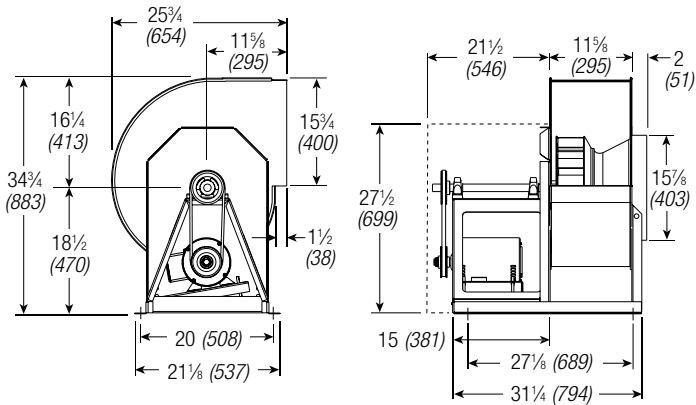
MAXIMUM Bhp AT A GIVEN RPM = $(\text{RPM}/2084)^3$
 MAXIMUM RPM = 2385
 TIP SPEED (ft/min) = $\text{RPM} \times 3.53$
 MAXIMUM MOTOR FRAME SIZE = 184T

Performance certified is for installation Type B Free inlet, Ducted outlet. Power rating (Bhp) does not include transmission losses. Performance ratings do not include the effects of appurtenances (accessories). The AMCA Certified Ratings seal applies to air performance ratings only.

Utility Fans

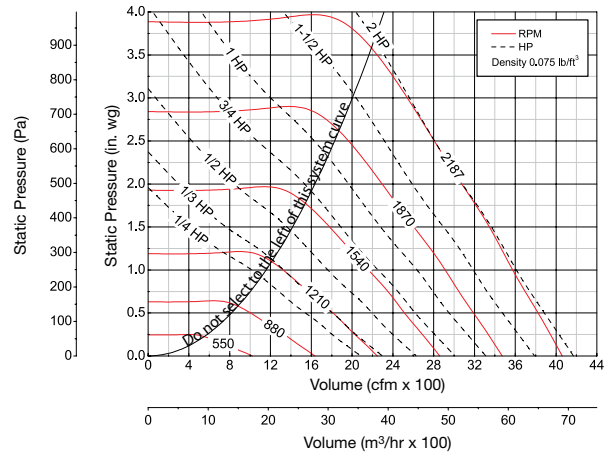
Performance and Dimensional Data

XUEB-115 - Belt Drive • Series 100



Wheel Diameter = 14 1/16 (370)
 Shaft Diameter = 3/4 (19)
 Outlet Area = 1.25 ft² (0.12 m²)
 ^Approximate Unit Weight = 225 lbs. (102 kg)

All dimensions in inches (millimeters).
 ^Weight shown is largest cataloged Open Drip Proof motor.



Model Number	Fan cfm		Static Pressure (in. wg)																					
			0.25	0.5	0.75	1	1.25	1.5	1.75	2	2.25	2.5												
XUEB-115	1000	RPM	737	879																				
		Bhp	0.08	0.13																				
		sones	6.2	6.7																				
	1250	RPM	843	976	1086	1186																		
		Bhp	0.11	0.18	0.24	0.31																		
		sones	6.9	7.8	8.4	8.9																		
	1500	RPM	955	1078	1183	1276	1360	1445																
		Bhp	0.16	0.24	0.32	0.39	0.47	0.56																
		sones	8.2	9.1	9.6	10.1	10.6	11.3																
	1750	RPM	1075	1184	1284	1373	1455	1530	1600	1673	1746													
		Bhp	0.23	0.31	0.40	0.49	0.58	0.67	0.77	0.87	0.97													
		sones	9.6	10.3	10.9	11.4	12.0	12.5	13.1	14.1	15.1													
	2000	RPM	1196	1294	1389	1474	1552	1625	1695	1759	1821	1883												
		Bhp	0.32	0.41	0.51	0.61	0.71	0.82	0.92	1.02	1.13	1.24												
		sones	11.1	11.7	12.4	13.0	13.6	14.1	14.7	15.3	16.1	17.1												
	2250	RPM	1319	1412	1496	1578	1654	1724	1791	1854	1915	1972												
		Bhp	0.42	0.53	0.63	0.75	0.86	0.98	1.09	1.21	1.32	1.44												
		sones	12.8	13.4	14.0	14.7	15.4	16.0	16.6	17.3	18.0	18.8												
	2500	RPM	1444	1533	1609	1685	1758	1826	1891	1952	2010	2067												
		Bhp	0.55	0.67	0.78	0.91	1.03	1.16	1.29	1.42	1.55	1.67												
		sones	14.7	15.4	16.0	16.7	17.5	18.0	18.7	19.4	20	21												
	2750	RPM	1570	1654	1727	1794	1864	1931	1993	2053	2109	2164												
		Bhp	0.71	0.84	0.97	1.09	1.23	1.37	1.51	1.65	1.79	1.93												
		sones	16.7	17.6	18.3	18.8	19.4	20	21	22	22	23												
3000	RPM	1698	1776	1847	1911	1973	2037	2098	2156															
	Bhp	0.89	1.04	1.18	1.31	1.45	1.60	1.76	1.91															
	sones	19.0	19.9	20	21	22	22	23	24															
3250	RPM	1827	1899	1968	2030	2088	2146																	
	Bhp	1.11	1.26	1.42	1.57	1.71	1.87																	
	sones	21	22	23	23	24	24																	
3500	RPM	1956	2024	2090	2150																			
	Bhp	1.35	1.52	1.69	1.86																			
	sones	24	25	25	26																			

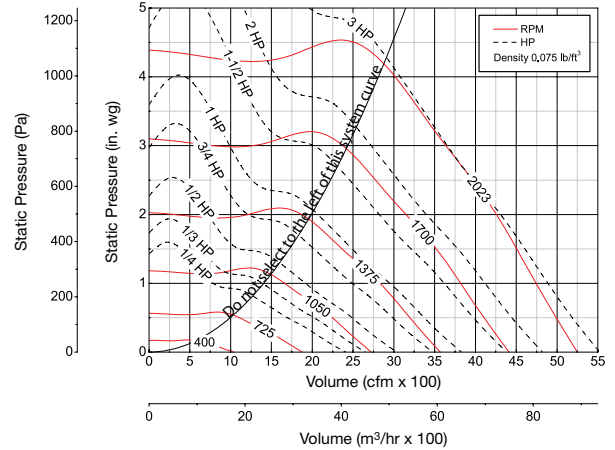
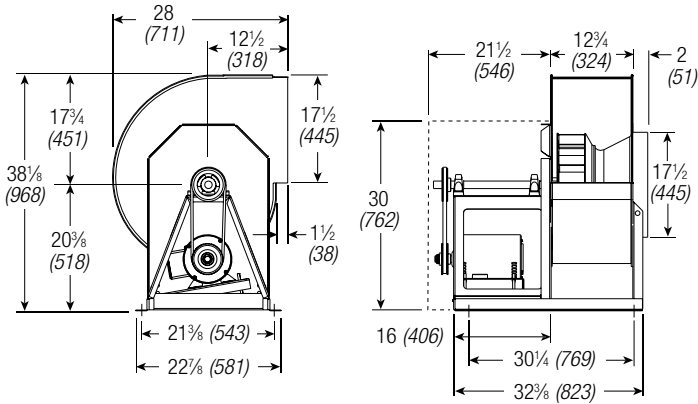
MAXIMUM Bhp AT A GIVEN RPM = (RPM/1737)³
 MAXIMUM RPM = 2187
 TIP SPEED (ft/min) = RPM x 3.93
 MAXIMUM MOTOR FRAME SIZE = 184T

Performance certified is for installation Type B Free inlet, Ducted outlet. Power rating (Bhp) does not include transmission losses. Performance ratings do not include the effects of appurtenances (accessories). The AMCA Certified Ratings seal applies to air performance ratings only.

Utility Fans

Performance and Dimensional Data

XUEB-116 - Belt Drive • Series 100



Wheel Diameter = 16 3/4 (425)
 Shaft Diameter = 1 (25)
 Outlet Area = 1.52 ft² (0.14 m²)
 ^Approximate Unit Weight = 241 lbs. (109 kg)

All dimensions in inches (millimeters).
 ^Weight shown is largest cataloged Open Drip Proof motor.

Model Number	Fan cfm		Static Pressure (in. wg)										
			0.5	0.75	1	1.25	1.5	2	2.5	2.75	3	3.5	
XUEB-116	1200	RPM	750										
		Bhp	0.15										
	1560	sones	5.8										
		RPM	846	943	1026								
	1920	Bhp	0.22	0.30	0.38								
		sones	7.1	7.8	8.7								
	2280	RPM	949	1039	1120	1192	1259						
		Bhp	0.31	0.40	0.50	0.60	0.71						
	2640	sones	8.8	9.6	10.7	11.5	12.0						
		RPM	1061	1141	1216	1287	1352	1470	1576				
	3000	Bhp	0.42	0.53	0.65	0.76	0.88	1.12	1.38				
		sones	10.9	11.8	12.5	12.9	13.3	14.4	16.4				
	3360	RPM	1182	1250	1320	1385	1448	1564	1666	1715	1762	1851	
		Bhp	0.57	0.69	0.82	0.96	1.09	1.36	1.64	1.79	1.93	2.23	
	3720	sones	13.5	13.8	14.1	14.6	15.1	15.9	17.4	18.4	19.5	22	
		RPM	1306	1369	1429	1490	1548	1659	1761	1808	1853	1940	
	4080	Bhp	0.76	0.89	1.03	1.18	1.34	1.64	1.95	2.11	2.26	2.59	
		sones	15.4	15.8	16.1	16.6	17.1	18.6	19.9	21	21	22	
	4440	RPM	1432	1491	1545	1599	1654	1758	1857	1903	1948		
		Bhp	0.99	1.14	1.29	1.45	1.62	1.96	2.30	2.47	2.64		
	4800	sones	17.6	18.0	18.4	18.9	19.6	21	23	23	23		
		RPM	1560	1615	1667	1716	1764	1863	1955	2001			
		Bhp	1.27	1.43	1.60	1.76	1.94	2.32	2.70	2.89			
		sones	20	21	21	22	23	24	25	26			
	RPM	1690	1742	1790	1837	1881	1971						
	Bhp	1.6	1.78	1.96	2.14	2.32	2.72						
	sones	23	24	25	25	26	27						
	RPM	1821	1869	1916	1960	2002							
	Bhp	1.99	2.18	2.38	2.58	2.77							
	sones	27	28	28	29	30							
	RPM	1953	1999										
	Bhp	2.44	2.65										
	sones	32	32										

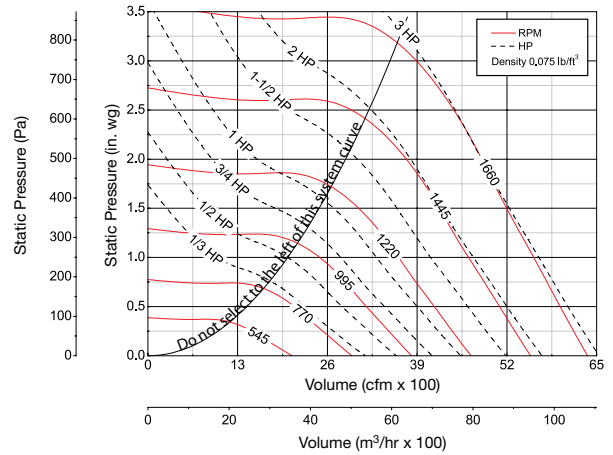
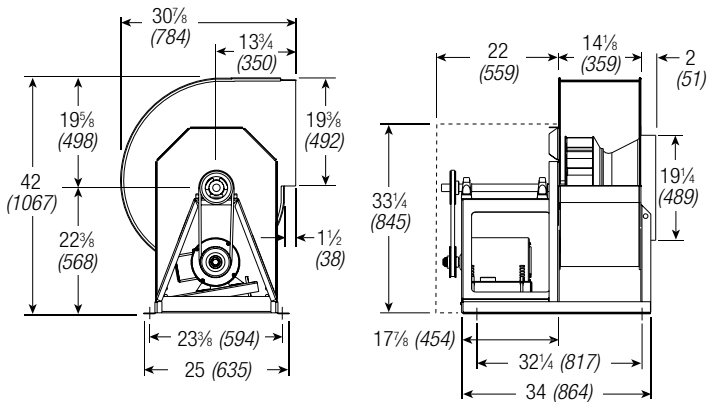
MAXIMUM Bhp AT A GIVEN RPM = (RPM/1403)³
 MAXIMUM RPM = 2023
 TIP SPEED (ft/min) = RPM x 4.32
 MAXIMUM MOTOR FRAME SIZE = 184T

Performance certified is for installation Type B Free inlet, Ducted outlet. Power rating (Bhp) does not include transmission losses. Performance ratings do not include the effects of appurtenances (accessories). The AMCA Certified Ratings seal applies to air performance ratings only.

Utility Fans

Performance and Dimensional Data

XUEB-118 - Belt Drive • Series 100



Wheel Diameter = 18 1/2 (470)
 Shaft Diameter = 1 (25)
 Outlet Area = 1.87 ft² (0.17 m²)
 ^Approximate Unit Weight = 312 lbs. (142 kg)

All dimensions in inches (millimeters).
 ^Weight shown is largest cataloged Open Drip Proof motor.

Model Number	Fan cfm		Static Pressure (in. wg)																					
			0.25	0.5	0.75	1	1.25	1.5	1.75	2	2.25	2.5												
XUEB-118	1500	RPM	545	667																				
		Bhp	0.11	0.19																				
	1900	sones	5.6	6.6																				
		RPM	628	728	826																			
	2300	Bhp	0.16	0.25	0.36																			
		sones	6.5	7.2	7.8																			
	2700	RPM	717	806	887	969	1044																	
		Bhp	0.24	0.34	0.45	0.58	0.71																	
	3100	sones	7.7	8.2	8.9	9.9	11.2																	
		RPM	808	892	964	1032	1102	1170	1233															
	3500	Bhp	0.34	0.46	0.59	0.71	0.86	1.01	1.17															
		sones	9.1	9.8	10.5	11.4	12.5	13.3	14.3															
	3900	RPM	902	980	1047	1109	1169	1229	1291	1349	1403													
		Bhp	0.46	0.61	0.75	0.89	1.04	1.20	1.37	1.55	1.73													
	4300	sones	10.9	11.7	12.5	13.2	13.9	14.8	16.3	17.0	16.8													
		RPM	997	1070	1135	1191	1247	1301	1352	1407	1461	1513												
	4700	Bhp	0.62	0.78	0.95	1.11	1.27	1.43	1.60	1.79	1.99	2.19												
		sones	13.1	14.1	14.6	15.2	15.8	17.0	17.9	17.5	17.8	18.4												
	5100	RPM	1095	1162	1223	1279	1329	1379	1428	1475	1521	1572												
		Bhp	0.82	1.00	1.18	1.36	1.54	1.72	1.90	2.08	2.27	2.49												
	5500	sones	15.5	16.3	16.9	17.6	18.7	18.4	18.5	18.8	19.2	19.7												
		RPM	1193	1256	1314	1367	1417	1462	1506	1552	1596	1638												
	5900	Bhp	1.06	1.25	1.45	1.65	1.85	2.04	2.24	2.44	2.64	2.85												
		sones	17.6	18.6	19.7	19.8	20	20	20	20	21	21												
6300	RPM	1291	1351	1405	1457	1505	1550	1591	1631															
	Bhp	1.34	1.55	1.77	1.98	2.20	2.42	2.63	2.85															
6700	sones	20	21	21	21	22	22	23	23															
	RPM	1391	1447	1499	1548	1594	1638																	
7100	Bhp	1.67	1.90	2.13	2.37	2.60	2.84																	
	sones	22	23	23	23	24	25																	
7500	RPM	1491	1544	1593	1640																			
	Bhp	2.05	2.31	2.55	2.80																			
7900	sones	24	25	25	25																			

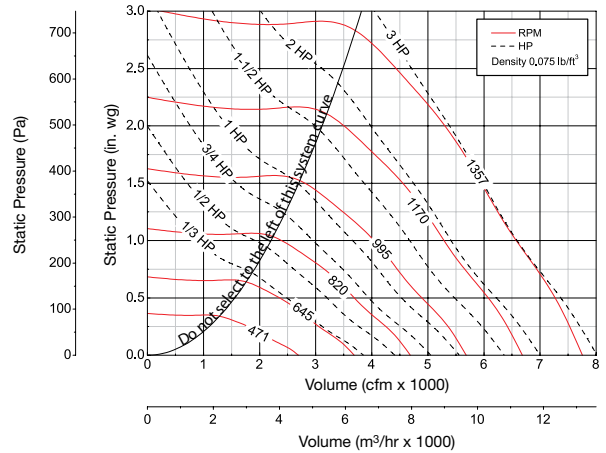
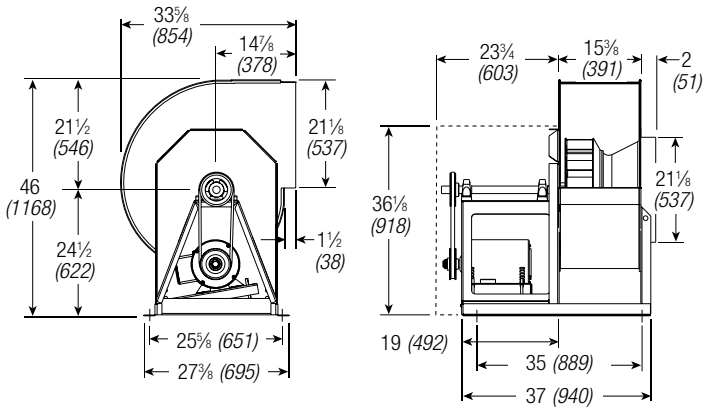
MAXIMUM Bhp AT A GIVEN RPM = (RPM/1150)³
 MAXIMUM RPM = 1660
 TIP SPEED (ft/min) = RPM x 4.78
 MAXIMUM MOTOR FRAME SIZE = 213T

Performance certified is for installation Type B Free inlet, Ducted outlet. Power rating (Bhp) does not include transmission losses. Performance ratings do not include the effects of appurtenances (accessories). The AMCA Certified Ratings seal applies to air performance ratings only.

Utility Fans

Performance and Dimensional Data

XUEB-120 - Belt Drive • Series 100



Wheel Diameter = 21 1/8 (543)
 Shaft Diameter = 1 (25)
 Outlet Area = 2.23 ft² (0.21 m²)
 ^Approximate Unit Weight = 374 lbs. (170 kg)

All dimensions in inches (millimeters).
 ^Weight shown is largest cataloged Open Drip Proof motor.

Model Number	Fan cfm		Static Pressure (in. wg)																					
			0.25	0.5	0.75	1	1.25	1.5	1.75	2	2.25	2.5												
XUEB-120	1800	RPM	471	591																				
		Bhp	0.12	0.22																				
		sones	6.5	6.5																				
	2250	RPM	528	633	728	811																		
		Bhp	0.17	0.29	0.42	0.56																		
		sones	6.6	6.7	8.0	9.4																		
	2700	RPM	593	686	770	850	923	989																
		Bhp	0.25	0.38	0.52	0.68	0.84	1.01																
		sones	7.1	7.3	8.1	9.5	11.2	12.3																
	3150	RPM	658	743	820	892	962	1028	1088	1145														
		Bhp	0.34	0.49	0.64	0.81	0.99	1.18	1.37	1.57														
		sones	7.9	8.3	9.1	10.2	11.2	12.4	13.5	14.6														
	3600	RPM	723	807	877	943	1006	1068	1128	1184	1237	1287												
		Bhp	0.45	0.62	0.79	0.98	1.17	1.37	1.58	1.80	2.02	2.24												
		sones	9.0	10.0	10.9	11.6	12.4	13.0	13.7	14.9	16.4	18.0												
	4050	RPM	791	873	937	999	1057	1113	1169	1223	1276	1326												
		Bhp	0.59	0.79	0.97	1.17	1.38	1.59	1.82	2.05	2.29	2.53												
		sones	10.7	12.3	13.0	13.4	14.3	15.0	15.1	15.5	16.6	18.2												
	4500	RPM	861	937	1001	1057	1113	1166	1217	1267	1316													
		Bhp	0.75	0.98	1.19	1.40	1.62	1.85	2.09	2.33	2.58													
		sones	13.1	14.4	15.1	15.3	16.2	16.5	16.4	16.7	17.8													
	4950	RPM	931	1002	1067	1121	1171	1222	1270	1316														
		Bhp	0.94	1.20	1.45	1.67	1.90	2.15	2.40	2.65														
		sones	15.9	15.9	16.8	17.4	17.2	17.0	17.2	18.1														
5400	RPM	1003	1069	1132	1186	1234	1280	1327																
	Bhp	1.16	1.45	1.73	1.98	2.23	2.48	2.75																
	sones	17.6	17.8	18.5	18.5	18.1	18.0	18.7																
5850	RPM	1076	1137	1196	1252	1298	1342																	
	Bhp	1.42	1.74	2.04	2.34	2.60	2.87																	
	sones	19.3	19.8	19.3	19.3	19.7	20																	
6300	RPM	1151	1207	1262	1316																			
	Bhp	1.73	2.06	2.40	2.71																			
	sones	21	21	20	21																			

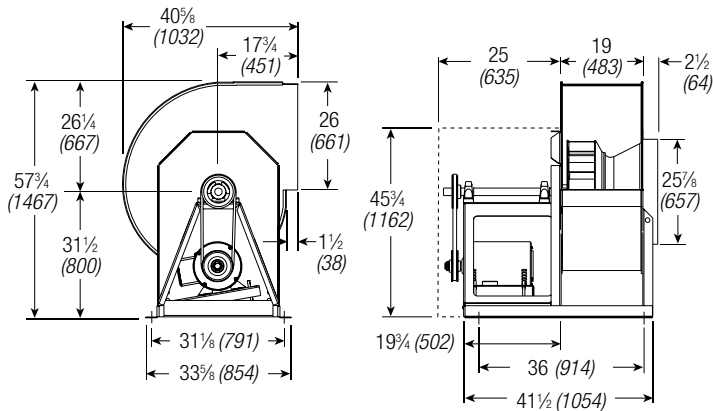
MAXIMUM Bhp AT A GIVEN RPM = (RPM/943)³
 MAXIMUM RPM = 1357
 TIP SPEED (ft/min) = RPM x 5.23
 MAXIMUM MOTOR FRAME SIZE = 215T

Performance certified is for installation Type B Free inlet, Ducted outlet. Power rating (Bhp) does not include transmission losses. Performance ratings do not include the effects of appurtenances (accessories). The AMCA Certified Ratings seal applies to air performance ratings only.

Utility Fans

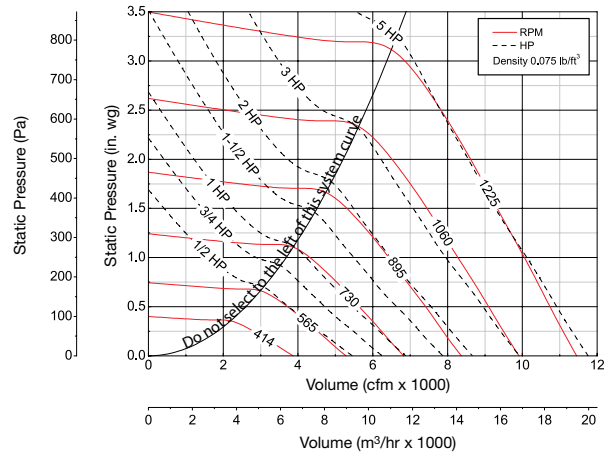
Performance and Dimensional Data

XUEB-124 - Belt Drive • Series 100



Wheel Diameter = 24 1/2 (622)
 Shaft Diameter = 1 (25)
 Outlet Area = 3.40 ft² (0.32 m²)
 ^Approximate Unit Weight = 546 lbs. (248 kg)

All dimensions in inches (millimeters).
 ^Weight shown is largest cataloged Open Drip Proof motor.



Model Number	Fan cfm		Static Pressure (in. wg)																					
			0.25	0.5	0.75	1	1.25	1.5	1.75	2	2.25	2.5												
XUEB-124	2800	RPM	413																					
		Bhp	0.19																					
		sones	4.9																					
	3400	RPM	464	541																				
		Bhp	0.27	0.43																				
		sones	6.0	6.9																				
	4000	RPM	517	588	651																			
		Bhp	0.38	0.56	0.74																			
		sones	7.5	8.3	9.2																			
	4600	RPM	572	638	696	751																		
		Bhp	0.51	0.71	0.92	1.14																		
		sones	9.1	9.8	10.7	11.8																		
	5200	RPM	629	691	744	795	843																	
		Bhp	0.66	0.91	1.13	1.37	1.62																	
		sones	11.0	11.6	12.7	14.0	14.4																	
	5800	RPM	687	745	795	843	888	930																
		Bhp	0.86	1.13	1.39	1.64	1.91	2.18																
		sones	12.9	13.8	15.5	15.6	15.3	15.7																
	6400	RPM	746	800	849	893	935	976	1014	1055														
		Bhp	1.09	1.38	1.68	1.96	2.24	2.54	2.83	3.15														
		sones	14.7	16.4	16.8	17.2	17.3	17.6	18.0	18.5														
	7000	RPM	806	856	903	945	984	1024	1061	1097	1132	1170												
		Bhp	1.37	1.68	2.01	2.32	2.63	2.94	3.26	3.59	3.92	4.26												
		sones	16.5	17.6	18.2	19.2	19.8	19.9	20	20	21	21												
7600	RPM	867	913	958	999	1037	1073	1109	1144	1177	1209													
	Bhp	1.69	2.03	2.38	2.74	3.07	3.40	3.74	4.09	4.44	4.79													
	sones	18.0	19.0	19.9	21	22	22	22	23	23	23													
8200	RPM	927	971	1013	1053	1090	1125	1158	1192	1224														
	Bhp	2.07	2.43	2.80	3.19	3.56	3.92	4.28	4.64	5.02														
	sones	20	21	22	23	24	25	25	25	25	25													
8800	RPM	989	1030	1070	1108	1144	1178	1210																
	Bhp	2.50	2.88	3.27	3.69	4.11	4.49	4.87																
	sones	23	23	24	24	25	26	26																

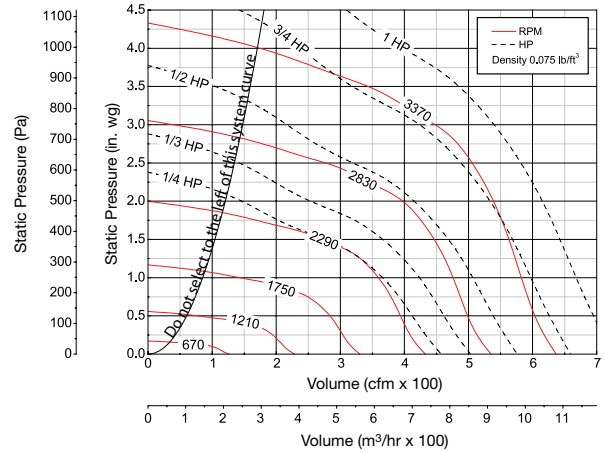
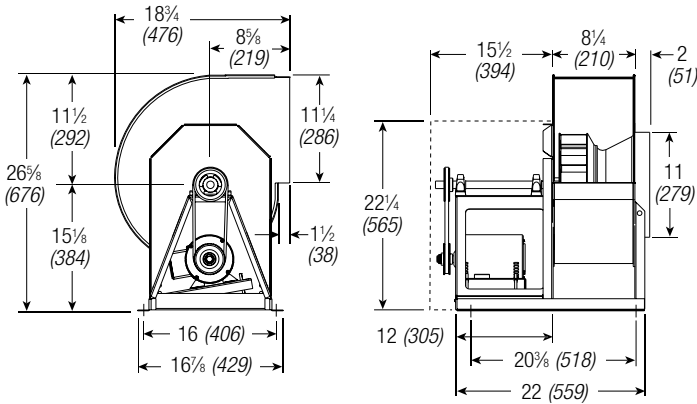
MAXIMUM Bhp AT A GIVEN RPM = (RPM/713)³
 MAXIMUM RPM = 1225
 TIP SPEED (ft/min) = RPM x 6.41
 MAXIMUM MOTOR FRAME SIZE = 256T

Performance certified is for installation Type B Free inlet, Ducted outlet. Power rating (Bhp) does not include transmission losses. Performance ratings do not include the effects of appurtenances (accessories). The AMCA Certified Ratings seal applies to air performance ratings only.

Utility Fans

Performance and Dimensional Data

XUEB-206 - Belt Drive • Series 200



Wheel Diameter = 11 1/8 (283)
 Shaft Diameter = 3/4 (19)
 Outlet Area = 0.63 ft² (0.059 m²)
 ^Approximate Unit Weight = 140 lbs. (64 kg)

All dimensions in inches (millimeters).
 ^Weight shown is largest cataloged Open Drip Proof motor.

Model Number	Fan cfm		Static Pressure (in. wg)															
			0.5	1	1.5	1.75	2	2.5	2.75	3	3.5	3.75						
XUEB-206	70	RPM	1201															
		Bhp	0.03															
		sones	6.4															
	120	RPM	1262	1722	2079	2238												
		Bhp	0.04	0.09	0.16	0.20												
		sones	6.8	9.2	11.9	13.2												
	170	RPM	1350	1786	2137	2292	2435	2698	2822	2941	3165	3272						
		Bhp	0.05	0.11	0.19	0.23	0.27	0.35	0.40	0.45	0.56	0.62						
		sones	7.4	9.8	12.5	13.8	15.0	17.8	19.1	20	22	24						
	220	RPM	1489	1868	2203	2355	2497	2760	2881	2997	3216	3319						
		Bhp	0.07	0.13	0.22	0.26	0.31	0.40	0.45	0.51	0.61	0.67						
		sones	8.0	10.7	13.3	14.5	15.8	18.6	19.7	21	23	24						
	270	RPM	1693	1975	2289	2429	2566	2825	2945	3059	3277							
		Bhp	0.10	0.16	0.25	0.29	0.35	0.45	0.51	0.57	0.68							
		sones	9.0	11.8	14.2	15.3	16.7	19.4	20	22	24							
	320	RPM	1921	2138	2395	2529	2659	2898	3014	3128	3343							
		Bhp	0.14	0.20	0.28	0.33	0.39	0.50	0.56	0.62	0.75							
		sones	10.5	12.9	15.2	16.5	17.8	20	21	22	25							
370	RPM	2169	2341	2540	2643	2767	2998	3108	3213									
	Bhp	0.19	0.26	0.34	0.39	0.44	0.55	0.62	0.68									
	sones	12.1	14.2	16.4	17.6	19.0	21	22	23									
420	RPM	2422	2567	2721	2817	2907	3108	3213	3313									
	Bhp	0.26	0.33	0.41	0.46	0.51	0.62	0.68	0.74									
	sones	13.7	15.8	18.1	19.2	20	22	23	24									
470	RPM	2678	2802	2943	3010	3087	3252	3330										
	Bhp	0.35	0.42	0.51	0.55	0.60	0.71	0.77										
	sones	15.8	17.7	19.7	21	22	24	24										
520	RPM	2936	3051	3170	3234	3296												
	Bhp	0.45	0.53	0.62	0.67	0.72												
	sones	18.5	19.3	21	22	23												
570	RPM	3196	3303															
	Bhp	0.58	0.67															
	sones	22	21															

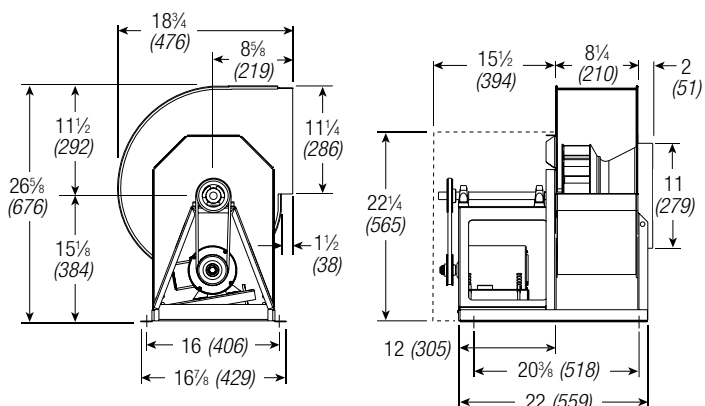
MAXIMUM Bhp AT A GIVEN RPM = (RPM/3629)³
 MAXIMUM RPM = 3370
 TIP SPEED (ft/min) = RPM x 2.91
 MAXIMUM MOTOR FRAME SIZE = 145T

Performance certified is for installation Type B Free inlet, Ducted outlet. Power rating (Bhp) does not include transmission losses. Performance ratings do not include the effects of appurtenances (accessories). The AMCA Certified Ratings seal applies to air performance ratings only.

Utility Fans

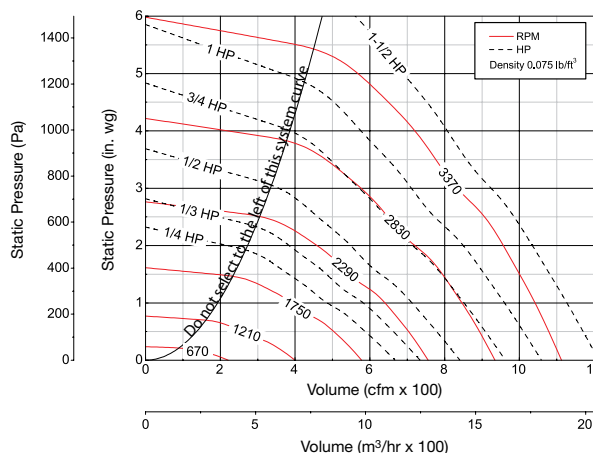
Performance and Dimensional Data

XUEB-207 - Belt Drive • Series 200



Wheel Diameter = $11\frac{1}{8}$ (283)
 Shaft Diameter = $3\frac{1}{4}$ (19)
 Outlet Area = 0.63 ft^2 (0.059 m^2)
 ^Approximate Unit Weight = 140 lbs. (64 kg)

All dimensions in inches (millimeters).
 ^Weight shown is largest cataloged Open Drip Proof motor.



Model Number	Fan cfm		Static Pressure (in. wg)																					
			0.5	1	1.5	2	2.5	3	3.5	4	4.5	5												
XUEB-207	200	RPM	1098	1458																				
		Bhp	0.04	0.10																				
		sones	6.2	9.1																				
	280	RPM	1244	1549	1808	2060																		
		Bhp	0.06	0.12	0.19	0.27																		
		sones	7.3	9.7	11.1	13.3																		
	360	RPM	1415	1687	1923	2139	2333	2534																
		Bhp	0.09	0.16	0.23	0.32	0.40	0.51																
		sones	8.5	10.7	12.1	14.1	15.7	17.7																
	440	RPM	1591	1855	2064	2259	2446	2618	2777	2941	3103	3255												
		Bhp	0.13	0.21	0.29	0.38	0.48	0.58	0.68	0.80	0.94	1.07												
		sones	10.0	12.4	14.2	15.5	17.4	19.1	21	22	24	25												
	520	RPM	1793	2023	2230	2406	2577	2735	2893	3040	3179	3311												
		Bhp	0.19	0.28	0.37	0.47	0.57	0.68	0.79	0.91	1.03	1.16												
		sones	12.6	15.0	16.5	17.9	19.5	21	23	24	25	26												
	600	RPM	2007	2195	2404	2574	2725	2878	3021	3158	3295													
		Bhp	0.26	0.35	0.47	0.57	0.68	0.80	0.92	1.04	1.17													
		sones	16.0	17.1	18.9	21	22	24	25	26	27													
	680	RPM	2226	2395	2565	2751	2898	3034	3168	3300														
		Bhp	0.36	0.45	0.57	0.70	0.81	0.93	1.06	1.20														
		sones	18.4	19.5	21	23	25	25	26	28														
	760	RPM	2449	2600	2751	2911	3075	3208	3332															
		Bhp	0.47	0.58	0.69	0.83	0.97	1.11	1.24															
		sones	22	23	24	26	27	28	29															
840	RPM	2678	2815	2951	3084	3235																		
	Bhp	0.61	0.73	0.85	0.98	1.13																		
	sones	25	27	27	28	29																		
920	RPM	2909	3034	3156	3282																			
	Bhp	0.78	0.90	1.03	1.17																			
	sones	28	29	30	31																			
1000	RPM	3142	3255																					
	Bhp	0.97	1.11																					
	sones	30	32																					

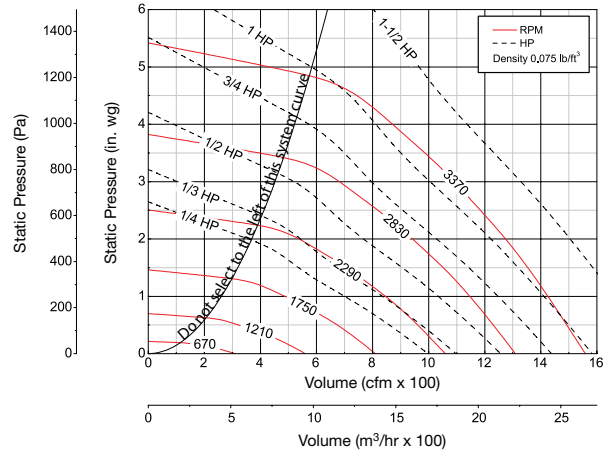
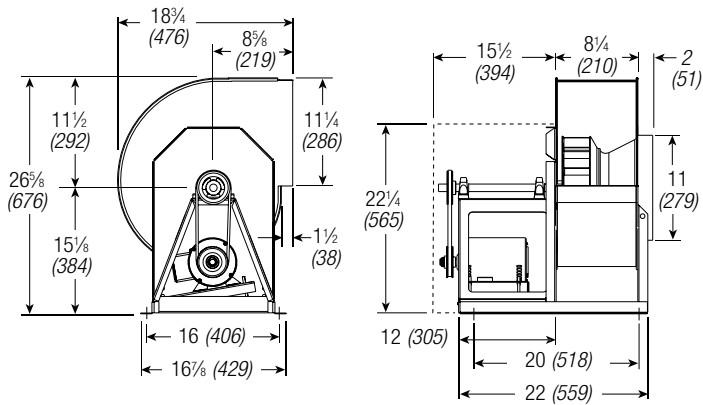
MAXIMUM Bhp AT A GIVEN RPM = $(\text{RPM}/3099)^3$
 MAXIMUM RPM = 3370
 TIP SPEED (ft/min) = RPM x 2.91
 MAXIMUM MOTOR FRAME SIZE = 145T

Performance certified is for installation Type B Free inlet, Ducted outlet. Power rating (Bhp) does not include transmission losses. Performance ratings do not include the effects of appurtenances (accessories). The AMCA Certified Ratings seal applies to air performance ratings only.

Utility Fans

Performance and Dimensional Data

XUEB-208 - Belt Drive • Series 200



Wheel Diameter = 11 1/8 (283)
 Shaft Diameter = 3/4 (19)
 Outlet Area = 0.63 ft² (0.059 m²)
 ^Approximate Unit Weight = 140 lbs. (64 kg)

All dimensions in inches (millimeters).
 ^Weight shown is largest cataloged Open Drip Proof motor.

Model Number	Fan cfm		Static Pressure (in. wg)																					
			0.5	0.75	1	1.5	2	2.5	3	3.5	4	4.5												
XUEB-208	250	RPM	1125	1343																				
		Bhp	0.04	0.06																				
		sones	7.0	8.0																				
	370	RPM	1270	1451	1610	1909	2172																	
		Bhp	0.06	0.09	0.11	0.18	0.26																	
		sones	7.7	8.3	8.8	10.9	13.2																	
	490	RPM	1445	1606	1753	2014	2240	2472	2681	2874														
		Bhp	0.09	0.12	0.16	0.23	0.30	0.39	0.49	0.59														
		sones	8.6	9.1	9.7	11.4	13.1	15.3	17.6	19.9														
	610	RPM	1640	1785	1918	2160	2378	2575	2755	2941	3121	3289												
		Bhp	0.12	0.16	0.21	0.29	0.38	0.47	0.56	0.67	0.79	0.91												
		sones	9.2	10.5	11.3	12.5	14.4	16.2	18.1	21	22	23												
	730	RPM	1852	1980	2101	2323	2528	2715	2892	3056	3210	3357												
		Bhp	0.18	0.22	0.27	0.37	0.47	0.57	0.68	0.79	0.90	1.01												
		sones	11.2	12.4	12.9	13.8	14.8	17.8	19.9	22	22	23												
	850	RPM	2076	2189	2298	2505	2693	2871	3039	3196	3348													
		Bhp	0.24	0.29	0.34	0.45	0.57	0.69	0.81	0.93	1.06													
		sones	13.5	14.1	14.6	15.6	16.5	17.6	18.6	22	23													
	970	RPM	2310	2409	2507	2697	2874	3041	3198	3350														
		Bhp	0.33	0.38	0.44	0.56	0.69	0.82	0.95	1.09														
		sones	15.3	16.0	16.6	17.7	18.6	19.5	20	21														
	1090	RPM	2548	2637	2725	2896	3065	3222																
		Bhp	0.44	0.50	0.56	0.69	0.82	0.97																
		sones	17.5	18.1	18.8	20	21	21																
1210	RPM	2790	2872	2951	3110	3263																		
	Bhp	0.57	0.63	0.70	0.84	0.98																		
	sones	19.9	21	21	22	23																		
1330	RPM	3035	3111	3184	3329																			
	Bhp	0.73	0.80	0.87	1.02																			
	sones	22	23	24	25																			
1450	RPM	3282	3352																					
	Bhp	0.91	0.99																					
	sones	26	25																					

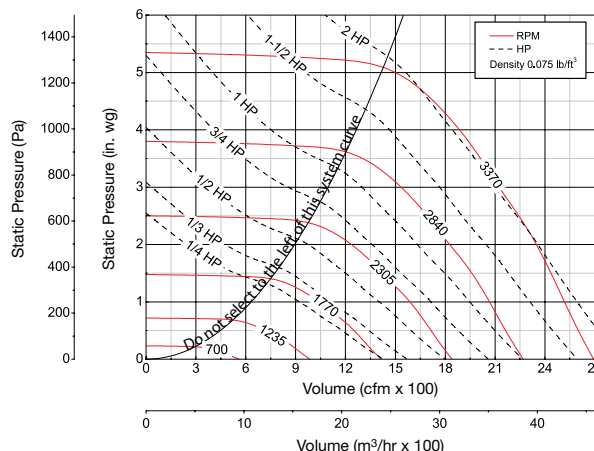
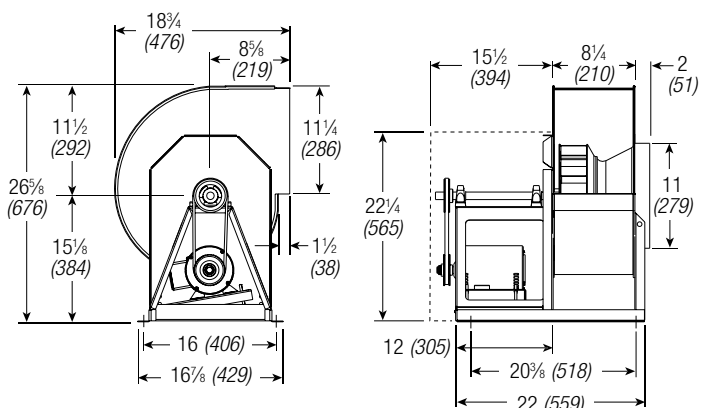
MAXIMUM Bhp AT A GIVEN RPM = (RPM/3242)³
 MAXIMUM RPM = 3370
 TIP SPEED (ft/min) = RPM x 2.91
 MAXIMUM MOTOR FRAME SIZE = 145T

Performance certified is for installation Type B Free inlet, Ducted outlet. Power rating (Bhp) does not include transmission losses. Performance ratings do not include the effects of appurtenances (accessories). The AMCA Certified Ratings seal applies to air performance ratings only.

Utility Fans

Performance and Dimensional Data

XUEB-210 - Belt Drive • Series 200



Wheel Diameter = 11 1/8 (283)
 Shaft Diameter = 3/4 (19)
 Outlet Area = 0.63 ft² (0.059 m²)
 ^Approximate Unit Weight = 140 lbs. (64 kg)

All dimensions in inches (millimeters).
 ^Weight shown is largest cataloged Open Drip Proof motor.

Model Number	Fan cfm		Static Pressure (in. wg)																						
			0.5	1	1.5	2	2.5	3	3.5	4	4.5	5													
XUEB-210	625	RPM	1158	1501	1809																				
		Bhp	0.08	0.17	0.27																				
		sones	6.3	7.6	9.4																				
	800	RPM	1311	1583	1846	2106	2334																		
		Bhp	0.12	0.21	0.31	0.44	0.58																		
		sones	7.4	8.2	9.8	11.9	13.9																		
	975	RPM	1480	1714	1936	2143	2371	2578	2768																
		Bhp	0.17	0.27	0.38	0.50	0.65	0.81	0.97																
		sones	8.6	9.5	10.7	12.4	14.3	15.4	16.6																
	1150	RPM	1661	1872	2063	2250	2431	2615	2805	2982	3148	3305													
		Bhp	0.24	0.35	0.47	0.60	0.74	0.90	1.07	1.26	1.45	1.65													
		sones	10.0	11.0	12.3	13.9	14.8	15.8	17.1	18.3	19.5	21													
	1325	RPM	1853	2041	2214	2379	2541	2704	2854	3019	3185	3342													
		Bhp	0.32	0.45	0.58	0.72	0.87	1.03	1.19	1.38	1.58	1.79													
		sones	11.9	12.9	14.3	15.2	15.9	16.7	17.6	18.8	20	21													
	1500	RPM	2054	2214	2381	2528	2676	2815	2964	3103	3235														
		Bhp	0.43	0.57	0.72	0.87	1.03	1.20	1.37	1.55	1.73														
		sones	14.0	15.1	16.0	16.6	17.3	18.1	18.8	19.6	21														
	1675	RPM	2258	2402	2550	2694	2825	2958	3082	3214	3344														
		Bhp	0.56	0.71	0.88	1.05	1.21	1.39	1.58	1.77	1.96														
		sones	16.5	17.0	17.6	18.3	19.0	19.7	20	21	22														
	1850	RPM	2465	2594	2724	2863	2990	3108	3229	3345															
		Bhp	0.72	0.89	1.06	1.25	1.43	1.61	1.81	2.01															
		sones	18.3	18.7	19.3	20	21	21	22	23															
2025	RPM	2674	2793	2913	3034	3159	3274																		
	Bhp	0.91	1.09	1.28	1.47	1.68	1.88																		
	sones	20	21	21	22	23	23																		
2200	RPM	2885	2996	3104	3214	3329																			
	Bhp	1.13	1.33	1.53	1.73	1.95																			
	sones	22	23	24	24	25																			
2375	RPM	3096	3201	3300																					
	Bhp	1.39	1.60	1.82																					
	sones	25	25	26																					

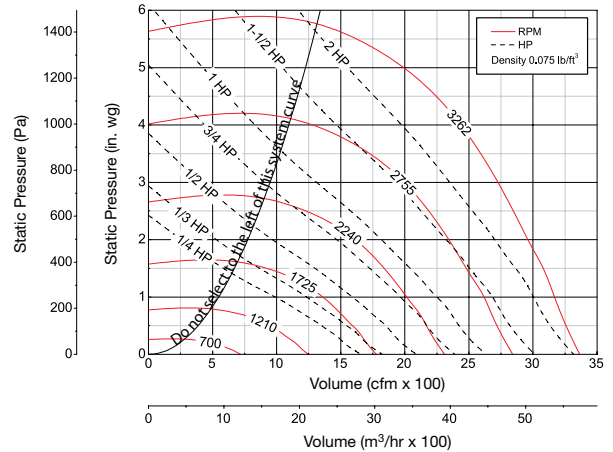
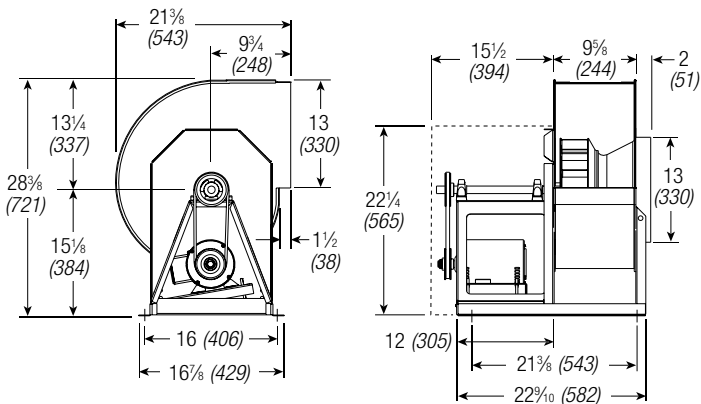
MAXIMUM Bhp AT A GIVEN RPM = (RPM/2649)³
 MAXIMUM RPM = 3370
 TIP SPEED (ft/min) = RPM x 2.91
 MAXIMUM MOTOR FRAME SIZE = 145T

Performance certified is for installation Type B Free inlet, Ducted outlet. Power rating (Bhp) does not include transmission losses. Performance ratings do not include the effects of appurtenances (accessories). The AMCA Certified Ratings seal applies to air performance ratings only.

Utility Fans

Performance and Dimensional Data

XUEB-212 - Belt Drive • Series 200



Wheel Diameter = 12 1/4" (311)
 Shaft Diameter = 1" (25)
 Outlet Area = 0.85 ft² (0.079 m²)
 ^Approximate Unit Weight = 170 lbs. (77 kg)

All dimensions in inches (millimeters).
 ^Weight shown is largest cataloged Open Drip Proof motor.

Model Number	Fan cfm		Static Pressure (in. wg)																						
			0.5	1	1.5	2	2.5	3	3.5	4	4.5	5													
XUEB-212	600	RPM	1022	1372																					
		Bhp	0.08	0.16																					
		sones	6.0	7.9																					
	850	RPM	1150	1447	1710	1941																			
		Bhp	0.11	0.21	0.33	0.45																			
		sones	7.2	8.5	10.4	12.7																			
	1100	RPM	1325	1561	1799	2005	2208	2392	2562	2719															
		Bhp	0.17	0.28	0.42	0.56	0.71	0.87	1.03	1.20															
		sones	8.7	9.8	11.4	13.6	15.2	16.5	17.8	19.0															
	1350	RPM	1522	1728	1913	2113	2291	2457	2625	2783	2931	3071													
		Bhp	0.25	0.38	0.52	0.68	0.85	1.03	1.21	1.40	1.59	1.79													
		sones	10.5	11.7	13.2	14.9	16.0	17.2	18.5	19.8	21	23													
	1600	RPM	1732	1905	2080	2233	2404	2564	2712	2851	2995	3135													
		Bhp	0.36	0.51	0.67	0.84	1.02	1.21	1.41	1.62	1.83	2.05													
		sones	12.8	14.0	15.7	16.5	17.4	18.4	19.5	21	22	23													
	1850	RPM	1947	2104	2255	2403	2538	2679	2825	2962	3091														
		Bhp	0.50	0.66	0.84	1.03	1.22	1.43	1.65	1.87	2.10														
		sones	15.6	16.8	17.6	18.4	19.2	20	21	22	23														
	2100	RPM	2177	2312	2443	2578	2708	2830	2944	3076															
		Bhp	0.69	0.86	1.05	1.26	1.47	1.69	1.91	2.16															
		sones	18.4	19.0	19.7	21	21	22	23	24															
	2350	RPM	2409	2524	2646	2761	2883	3001	3112																
		Bhp	0.92	1.10	1.31	1.53	1.76	2.00	2.24																
		sones	21	21	22	23	24	25	26																
2600	RPM	2641	2739	2855	2962	3065																			
	Bhp	1.20	1.39	1.62	1.85	2.10																			
	sones	23	24	25	26	27																			
2850	RPM	2874	2968	3067	3169																				
	Bhp	1.53	1.75	1.98	2.23																				
	sones	27	27	28	29																				
3100	RPM	3108	3199																						
	Bhp	1.91	2.17																						
	sones	30	31																						

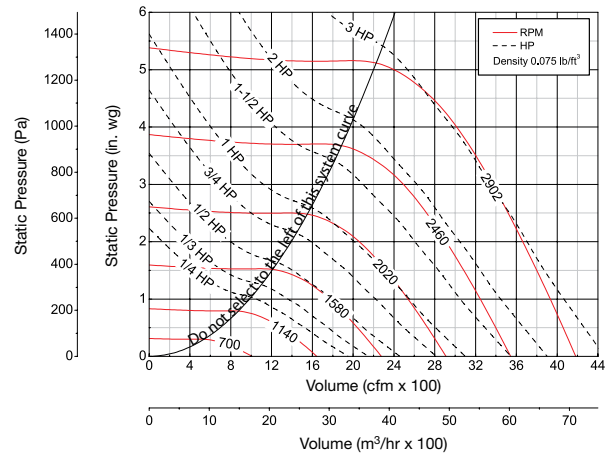
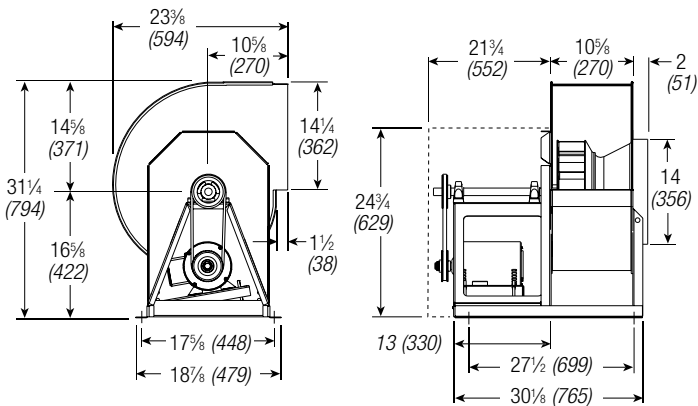
MAXIMUM Bhp AT A GIVEN RPM = (RPM/2372)³
 MAXIMUM RPM = 3262
 TIP SPEED (ft/min) = RPM x 3.21
 MAXIMUM MOTOR FRAME SIZE = 145T

Performance certified is for installation Type B Free inlet, Ducted outlet. Power rating (Bhp) does not include transmission losses. Performance ratings do not include the effects of appurtenances (accessories). The AMCA Certified Ratings seal applies to air performance ratings only.

Utility Fans

Performance and Dimensional Data

XUEB-213 - Belt Drive • Series 200



Wheel Diameter = $13\frac{1}{2}$ (343)
 Shaft Diameter = 1 (25)
 Outlet Area = 1.03 ft² (0.096 m²)
 ^Approximate Unit Weight = 183 lbs. (83 kg)

All dimensions in inches (millimeters).
 ^Weight shown is largest cataloged Open Drip Proof motor.

Model Number	Fan cfm		Static Pressure (in. wg)																					
			0.5	0.75	1	1.5	2	2.5	3	3.5	4	4.5												
XUEB-213	1000	RPM	998	1144	1287																			
		Bhp	0.12	0.18	0.24																			
		sones	6.9	7.5	8.4																			
	1280	RPM	1134	1248	1358	1585																		
		Bhp	0.18	0.24	0.31	0.46																		
		sones	8.2	8.7	9.2	11.0																		
	1560	RPM	1290	1384	1478	1660	1850	2034																
		Bhp	0.26	0.33	0.40	0.56	0.74	0.95																
		sones	9.6	10.2	10.8	12.2	14.2	15.8																
	1840	RPM	1457	1540	1619	1778	1931	2093	2249															
		Bhp	0.37	0.45	0.53	0.70	0.89	1.10	1.32															
		sones	11.5	12.0	12.6	14.1	15.5	16.5	17.7															
	2120	RPM	1629	1703	1775	1913	2051	2181	2318	2462	2596	2730												
		Bhp	0.51	0.59	0.69	0.87	1.08	1.29	1.52	1.77	2.03	2.31												
		sones	13.7	14.2	15.0	16.3	17.1	17.9	18.8	19.8	21	23												
	2400	RPM	1807	1874	1938	2063	2184	2307	2423	2543	2665	2790												
		Bhp	0.68	0.78	0.88	1.09	1.30	1.53	1.78	2.03	2.29	2.58												
		sones	16.4	17.0	17.3	18.1	18.8	19.7	20	21	22	24												
	2680	RPM	1987	2048	2107	2222	2332	2440	2550	2656	2758	2869												
		Bhp	0.89	1.01	1.12	1.34	1.58	1.81	2.07	2.34	2.62	2.90												
		sones	18.8	19.0	19.3	20	21	22	22	23	24	25												
	2960	RPM	2170	2226	2280	2386	2489	2587	2685	2784	2884													
		Bhp	1.14	1.27	1.40	1.64	1.89	2.16	2.42	2.69	2.99													
		sones	21	21	21	22	23	24	25	26	27													
3240	RPM	2355	2407	2457	2555	2650	2744	2832																
	Bhp	1.44	1.58	1.72	1.99	2.26	2.54	2.83																
	sones	23	23	24	25	25	26	27																
3520	RPM	2541	2589	2636	2727	2816																		
	Bhp	1.79	1.94	2.10	2.40	2.68																		
	sones	26	26	27	27	28																		
3800	RPM	2729	2773	2817																				
	Bhp	2.19	2.36	2.53																				
	sones	29	30	30																				

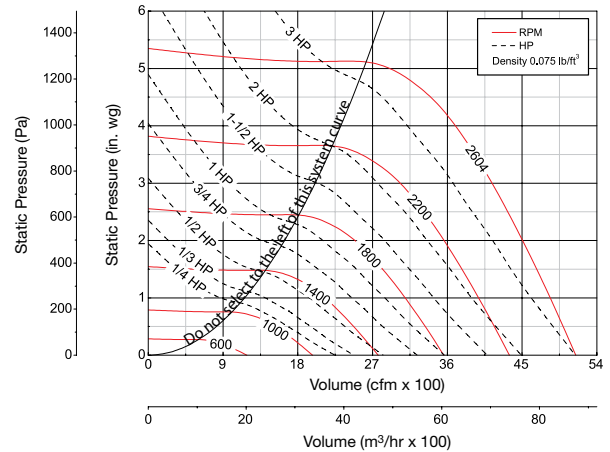
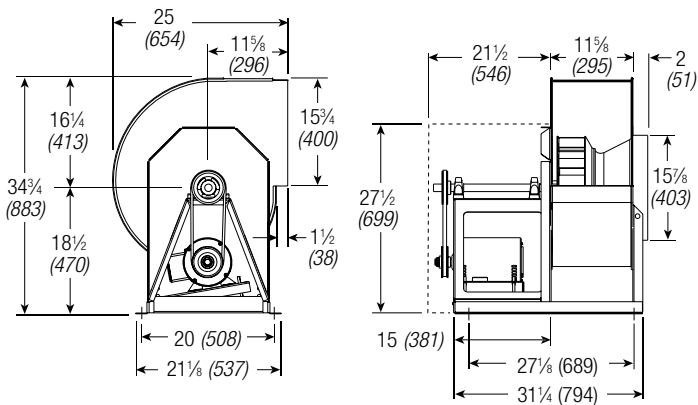
MAXIMUM Bhp AT A GIVEN RPM = $(RPM/2002)^3$
 MAXIMUM RPM = 2902
 TIP SPEED (ft/min) = RPM x 3.53
 MAXIMUM MOTOR FRAME SIZE = 184T

Performance certified is for installation Type B Free inlet, Ducted outlet. Power rating (Bhp) does not include transmission losses. Performance ratings do not include the effects of appurtenances (accessories). The AMCA Certified Ratings seal applies to air performance ratings only.

Utility Fans

Performance and Dimensional Data

XUEB-215 - Belt Drive • Series 200



Wheel Diameter = 15 (381)
 Shaft Diameter = 1 (25)
 Outlet Area = 1.25 ft² (0.12 m²)
 ^Approximate Unit Weight = 231 lbs. (105 kg)

All dimensions in inches (millimeters).
 ^Weight shown is largest cataloged Open Drip Proof motor.

Model Number	Fan cfm		Static Pressure (in. wg)																						
			0.5	0.75	1	1.5	2	2.5	3	3.5	4	4.5													
XUEB-215	1200	RPM	886	1024	1157																				
		Bhp	0.15	0.21	0.29																				
		sones	6.9	7.5	8.5																				
	1550	RPM	1009	1112	1214	1421																			
		Bhp	0.22	0.29	0.37	0.56																			
		sones	8.2	8.7	9.3	11.2																			
	1900	RPM	1150	1236	1322	1487	1661	1830																	
		Bhp	0.32	0.40	0.49	0.68	0.91	1.16																	
		sones	9.7	10.2	10.8	12.3	14.4	15.9																	
	2250	RPM	1301	1377	1449	1593	1732	1879	2020	2165															
		Bhp	0.45	0.54	0.64	0.85	1.09	1.34	1.61	1.92															
		sones	11.5	12.1	12.7	14.2	15.6	16.6	17.9	19.3															
	2600	RPM	1458	1525	1591	1715	1840	1958	2083	2213	2333	2456													
		Bhp	0.62	0.72	0.84	1.07	1.32	1.58	1.86	2.17	2.48	2.83													
		sones	13.8	14.3	15.0	16.3	17.2	18.0	19.0	20	21	23													
	2950	RPM	1620	1680	1738	1852	1961	2072	2176	2285	2396														
		Bhp	0.83	0.96	1.08	1.33	1.59	1.88	2.18	2.49	2.81														
		sones	16.5	17.0	17.4	18.2	19.0	19.8	21	22	23														
	3300	RPM	1785	1839	1893	1996	2095	2193	2293	2388															
		Bhp	1.09	1.23	1.37	1.65	1.94	2.23	2.54	2.88															
		sones	19.0	19.2	19.4	20	21	22	23	24															
	3650	RPM	1951	2001	2050	2145	2238	2326	2416																
		Bhp	1.41	1.56	1.72	2.02	2.33	2.66	2.98																
		sones	21	21	22	22	23	24	25																
4000	RPM	2120	2166	2211	2299	2385																			
	Bhp	1.78	1.95	2.13	2.46	2.79																			
	sones	24	24	24	25	26																			
4350	RPM	2290	2332	2374	2456																				
	Bhp	2.21	2.41	2.60	2.97																				
	sones	26	27	27	28																				
4700	RPM	2460	2500																						
	Bhp	2.72	2.93																						
	sones	30	30																						

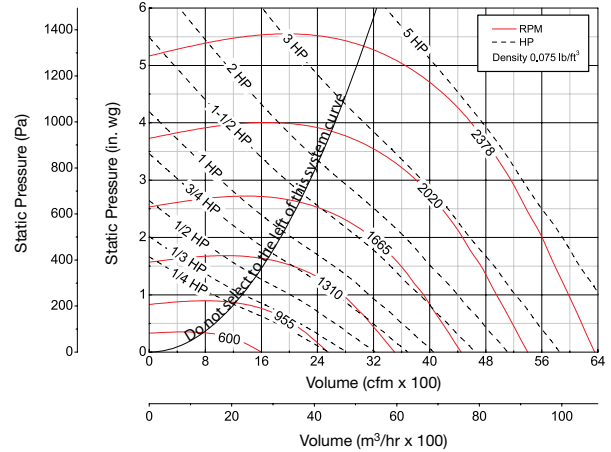
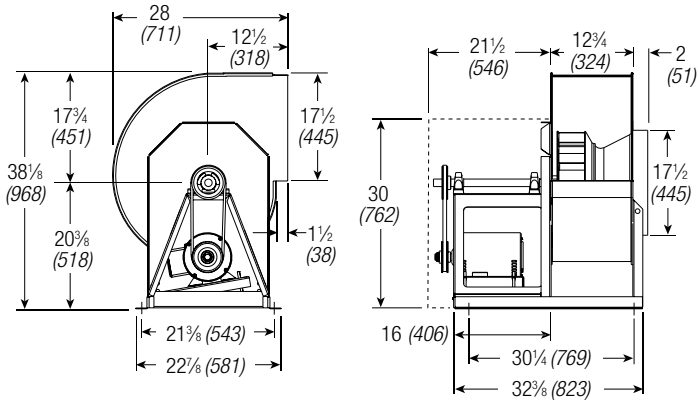
MAXIMUM Bhp AT A GIVEN RPM = (RPM/1679)³
 MAXIMUM RPM = 2604
 TIP SPEED (ft/min) = RPM x 3.93
 MAXIMUM MOTOR FRAME SIZE = 184T

Performance certified is for installation Type B Free inlet, Ducted outlet. Power rating (Bhp) does not include transmission losses. Performance ratings do not include the effects of appurtenances (accessories). The AMCA Certified Ratings seal applies to air performance ratings only.

Utility Fans

Performance and Dimensional Data

XUEB-216 - Belt Drive • Series 200



Wheel Diameter = 16 1/2 (419)
 Shaft Diameter = 1 1/4 (32)
 Outlet Area = 1.52 ft² (0.14 m²)
 ^Approximate Unit Weight = 251 lbs. (114 kg)

All dimensions in inches (millimeters).
 ^Weight shown is largest cataloged Open Drip Proof motor.

Model Number	Fan cfm		Static Pressure (in. wg)																					
			0.5	0.75	1	1.5	2	2.5	3	3.5	4	4.5												
XUEB-216	1200	RPM	762	900																				
		Bhp	0.15	0.22																				
		sones	5.9	6.9																				
	1650	RPM	848	959	1072	1267																		
		Bhp	0.22	0.31	0.40	0.61																		
		sones	7.1	7.6	8.4	10.4																		
	2100	RPM	970	1059	1147	1322	1487	1632																
		Bhp	0.32	0.42	0.53	0.77	1.03	1.30																
		sones	8.5	9.0	9.6	11.1	13.3	14.8																
	2550	RPM	1109	1182	1255	1400	1543	1687	1818	1939														
		Bhp	0.46	0.58	0.70	0.96	1.25	1.56	1.88	2.21														
		sones	10.1	10.6	11.2	12.7	14.4	15.6	16.8	18.1														
	3000	RPM	1256	1320	1381	1505	1629	1749	1874	1994	2106	2211												
		Bhp	0.65	0.79	0.92	1.20	1.52	1.85	2.20	2.57	2.94	3.33												
		sones	12.2	12.7	13.3	14.7	15.7	16.6	17.6	18.9	20	21												
	3450	RPM	1410	1462	1520	1626	1734	1841	1949	2050	2162	2267												
		Bhp	0.90	1.04	1.20	1.51	1.84	2.20	2.57	2.96	3.38	3.80												
		sones	14.6	15.1	15.7	16.6	17.4	18.3	19.2	20	21	22												
	3900	RPM	1566	1616	1661	1758	1853	1950	2042	2141	2234	2324												
		Bhp	1.21	1.37	1.53	1.89	2.24	2.61	3.01	3.43	3.86	4.30												
		sones	17.5	17.6	17.9	18.5	19.3	20	21	22	23	24												
	4350	RPM	1724	1770	1813	1900	1985	2069	2156	2239	2326													
		Bhp	1.59	1.78	1.95	2.34	2.73	3.11	3.53	3.97	4.43													
		sones	19.7	19.9	20	21	21	22	23	24	25													
4800	RPM	1884	1926	1967	2042	2124	2200	2277	2355															
	Bhp	2.05	2.25	2.45	2.85	3.29	3.72	4.14	4.60															
	sones	22	22	23	23	24	25	26	27															
5250	RPM	2046	2084	2123	2194	2265	2338																	
	Bhp	2.60	2.81	3.04	3.46	3.92	4.41																	
	sones	25	25	25	26	27	28																	
5700	RPM	2208	2244	2279	2348																			
	Bhp	3.25	3.47	3.71	4.19																			
	sones	28	29	29	30																			

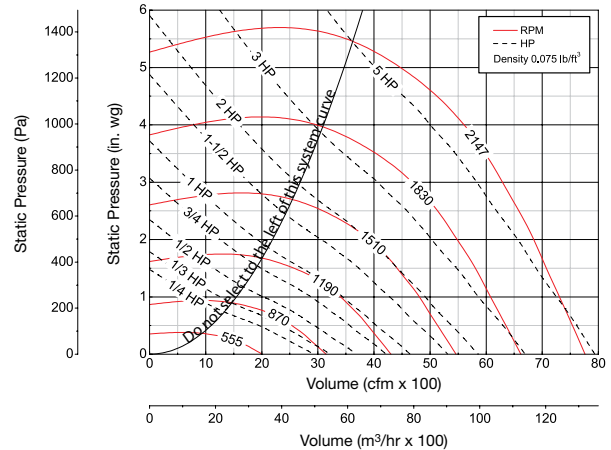
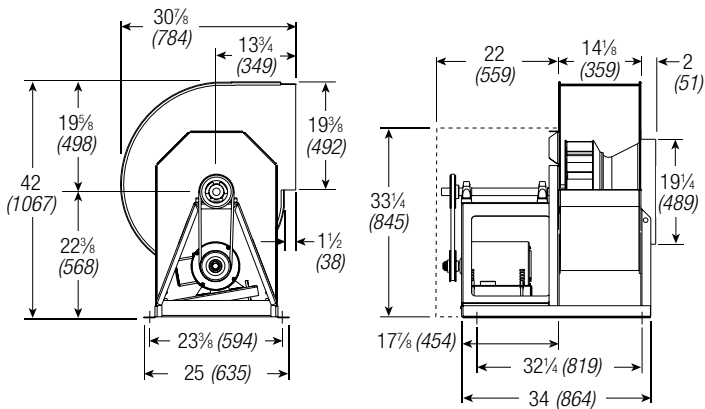
MAXIMUM Bhp AT A GIVEN RPM = (RPM/1414)³
 MAXIMUM RPM = 2378
 TIP SPEED (ft/min) = RPM x 4.32
 MAXIMUM MOTOR FRAME SIZE = 184T

Performance certified is for installation Type B Free inlet, Ducted outlet. Power rating (Bhp) does not include transmission losses. Performance ratings do not include the effects of appurtenances (accessories). The AMCA Certified Ratings seal applies to air performance ratings only.

Utility Fans

Performance and Dimensional Data

XUEB-218 - Belt Drive • Series 200



Wheel Diameter = 18 1/4 (464)
 Shaft Diameter = 1 1/4 (32)
 Outlet Area = 1.87 ft² (0.17 m²)
 ^Approximate Unit Weight = 324 lbs. (147 kg)

All dimensions in inches (millimeters).
 ^Weight shown is largest cataloged Open Drip Proof motor.

Model Number	Fan cfm		Static Pressure (in. wg)																					
			0.5	1	1.5	2	2.5	3	3.5	4	4.5	5												
XUEB-218	2000	RPM	762	963	1136																			
		Bhp	0.26	0.49	0.75																			
		sones	10.1	11.3	13.4																			
	2500	RPM	862	1023	1185	1330	1459																	
		Bhp	0.37	0.62	0.92	1.24	1.58																	
		sones	10.1	11.6	13.0	15.2	17.9																	
	3000	RPM	974	1110	1245	1380	1507	1623	1730															
		Bhp	0.52	0.80	1.12	1.47	1.85	2.24	2.65															
		sones	11.5	12.6	13.9	15.5	18.3	21	24															
	3500	RPM	1092	1211	1327	1443	1557	1672	1779	1878	1971	2060												
		Bhp	0.72	1.03	1.36	1.74	2.15	2.58	3.02	3.48	3.95	4.43												
		sones	13.6	14.2	15.2	16.8	19.1	22	25	27	29	31												
	4000	RPM	1218	1322	1423	1525	1626	1727	1828	1927	2020	2108												
		Bhp	0.97	1.32	1.68	2.07	2.51	2.95	3.43	3.93	4.44	4.96												
		sones	15.7	16.4	17.3	18.7	21	23	25	27	29	32												
	4500	RPM	1346	1438	1530	1619	1709	1800	1890	1979	2069													
		Bhp	1.28	1.66	2.07	2.48	2.92	3.41	3.90	4.42	4.96													
		sones	18.2	18.8	19.6	21	23	24	26	28	30													
	5000	RPM	1475	1557	1643	1723	1804	1885	1967	2048														
		Bhp	1.66	2.08	2.52	2.97	3.43	3.91	4.45	5.00														
		sones	21	21	22	24	25	26	28	29														
	5500	RPM	1605	1683	1758	1834	1907	1981	2055															
		Bhp	2.10	2.58	3.04	3.54	4.03	4.54	5.07															
		sones	24	24	25	26	27	28	30															
6000	RPM	1737	1810	1877	1949	2017	2084																	
	Bhp	2.63	3.15	3.65	4.18	4.72	5.25																	
	sones	27	28	28	29	30	31																	
6500	RPM	1869	1938	2002	2065	2131																		
	Bhp	3.26	3.81	4.37	4.91	5.49																		
	sones	31	31	31	32	33																		
7000	RPM	2003	2067	2128																				
	Bhp	3.98	4.57	5.18																				
	sones	34	35	35																				

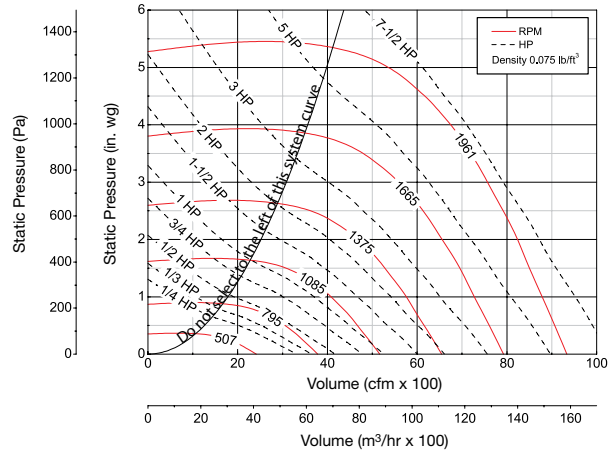
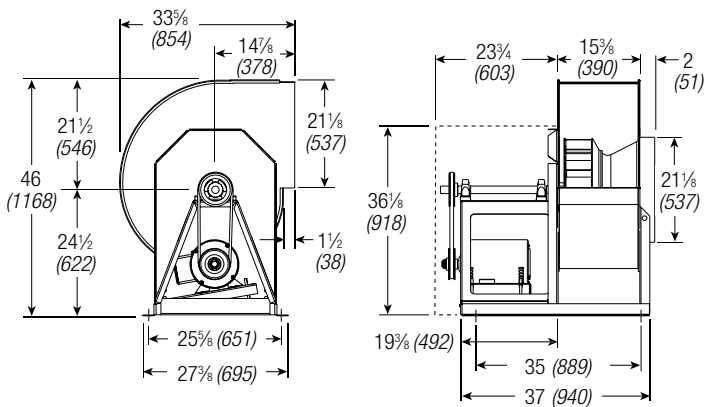
MAXIMUM Bhp AT A GIVEN RPM = (RPM/1196)³
 MAXIMUM RPM = 2147
 TIP SPEED (ft/min) = RPM x 4.78
 MAXIMUM MOTOR FRAME SIZE = 213T

Performance certified is for installation Type B Free inlet, Ducted outlet. Power rating (Bhp) does not include transmission losses. Performance ratings do not include the effects of appurtenances (accessories). The AMCA Certified Ratings seal applies to air performance ratings only.

Utility Fans

Performance and Dimensional Data

XUEB-220 - Belt Drive • Series 200



Wheel Diameter = 20 (508)
 Shaft Diameter = 1 1/4 (32)
 Outlet Area = 2.23 ft² (0.21 m²)
 ^Approximate Unit Weight = 389 lbs. (176 kg)

All dimensions in inches (millimeters).
 ^Weight shown is largest cataloged Open Drip Proof motor.

Model Number	Fan cfm		Static Pressure (in. wg)																					
			0.5	1	1.5	2	2.5	3	3.5	4	4.5	4.75												
XUEB-220	2000	RPM	647	860																				
		Bhp	0.25	0.51																				
		sones	8.7	11.5																				
	2650	RPM	731	897	1065	1206																		
		Bhp	0.36	0.65	1.00	1.39																		
		sones	9.2	11.2	13.4	15.9																		
	3300	RPM	836	970	1104	1243	1367	1480																
		Bhp	0.53	0.85	1.21	1.64	2.10	2.58																
		sones	10.6	12.1	13.5	15.8	19.0	22																
	3950	RPM	951	1064	1177	1289	1405	1517	1621	1717	1807	1851												
		Bhp	0.76	1.11	1.51	1.94	2.43	2.96	3.51	4.08	4.67	4.97												
		sones	13.0	13.7	14.9	16.4	19.4	23	26	28	30	32												
	4600	RPM	1072	1171	1267	1364	1461	1556	1658	1754	1845	1888												
		Bhp	1.06	1.46	1.88	2.35	2.85	3.38	3.98	4.60	5.23	5.55												
		sones	15.2	15.8	16.8	18.4	21	23	26	28	31	32												
	5250	RPM	1198	1285	1370	1454	1539	1624	1708	1792	1882	1925												
		Bhp	1.44	1.88	2.35	2.84	3.37	3.94	4.52	5.15	5.83	6.18												
		sones	17.8	18.4	19.4	21	23	25	26	28	31	32												
	5900	RPM	1325	1401	1481	1555	1630	1706	1781	1857	1932													
		Bhp	1.90	2.40	2.92	3.45	4.00	4.58	5.23	5.87	6.52													
		sones	21	21	22	24	25	26	28	30	32													
	6550	RPM	1453	1525	1594	1664	1731	1799	1867	1935														
		Bhp	2.47	3.04	3.59	4.18	4.76	5.37	6.01	6.70														
		sones	24	25	25	26	27	29	30	32														
7200	RPM	1583	1650	1711	1777	1840	1900																	
	Bhp	3.15	3.78	4.37	5.01	5.66	6.30																	
	sones	28	28	28	29	30	32																	
7850	RPM	1714	1776	1835	1892	1952																		
	Bhp	3.97	4.64	5.32	5.96	6.67																		
	sones	31	32	32	33	34																		
8500	RPM	1846	1904	1960																				
	Bhp	4.92	5.63	6.38																				
	sones	36	36	37																				

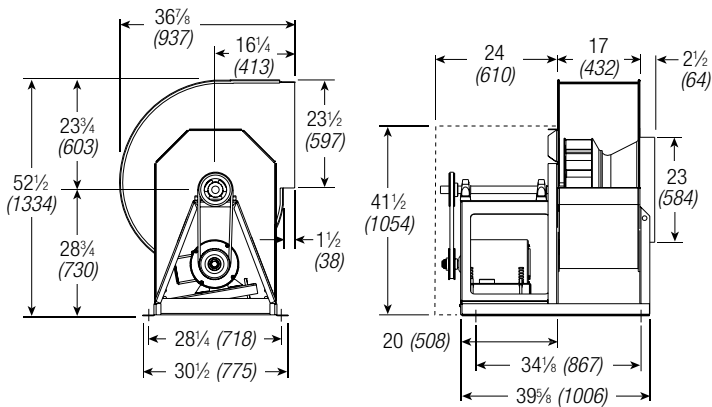
MAXIMUM Bhp AT A GIVEN RPM = (RPM/1027)³
 MAXIMUM RPM = 1961
 TIP SPEED (ft/min) = RPM x 5.23
 MAXIMUM MOTOR FRAME SIZE = 215T

Performance certified is for installation Type B Free inlet, Ducted outlet. Power rating (Bhp) does not include transmission losses. Performance ratings do not include the effects of appurtenances (accessories). The AMCA Certified Ratings seal applies to air performance ratings only.

Utility Fans

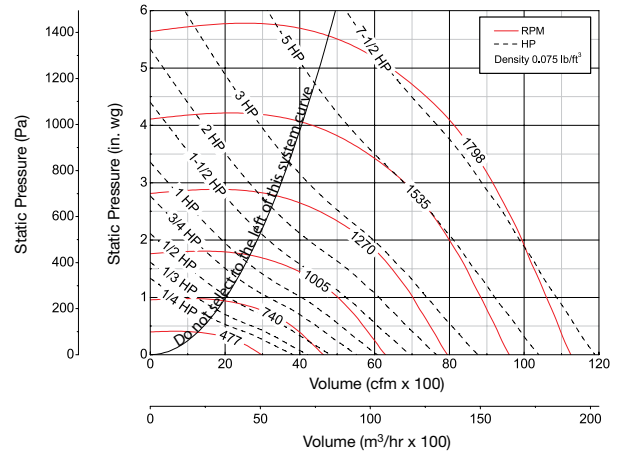
Performance and Dimensional Data

XUEB-222 - Belt Drive • Series 200



Wheel Diameter = $22\frac{1}{4}$ (565)
 Shaft Diameter = $1\frac{1}{4}$ (32)
 Outlet Area = 2.74 ft^2 (0.25 m^2)
 ^Approximate Unit Weight = 450 lbs. (204 kg)

All dimensions in inches (millimeters).
 ^Weight shown is largest cataloged Open Drip Proof motor.



Model Number	Fan cfm		Static Pressure (in. wg)																					
			0.5	1	1.5	2	2.5	3	3.5	4	4.5	5												
XUEB-222	2500	RPM	602	783	949																			
		Bhp	0.30	0.59	0.93																			
	3250	sones	9.3	11.5	14.3																			
		RPM	677	831	971	1099	1226																	
	4000	Bhp	0.43	0.77	1.15	1.56	2.01																	
		sones	9.7	11.5	13.8	16.6	20																	
	4750	RPM	768	892	1019	1137	1241	1347	1452															
		Bhp	0.61	0.99	1.43	1.88	2.36	2.88	3.42															
	5500	sones	11.2	12.6	14.3	16.8	20	24	27															
		RPM	868	975	1080	1186	1289	1383	1470	1556	1648	1735												
	6250	Bhp	0.86	1.27	1.75	2.27	2.80	3.36	3.92	4.52	5.16	5.82												
		sones	13.6	14.2	15.6	17.7	21	24	27	29	32	35												
	7000	RPM	976	1065	1158	1249	1339	1432	1518	1598	1674	1746												
		Bhp	1.18	1.64	2.14	2.70	3.30	3.91	4.54	5.18	5.84	6.51												
	7750	sones	15.8	16.5	17.5	19.5	22	25	27	30	32	35												
		RPM	1085	1164	1244	1326	1405	1487	1567	1647	1722	1793												
	8500	Bhp	1.60	2.09	2.64	3.22	3.85	4.53	5.22	5.92	6.63	7.36												
		sones	18.4	19.0	20	22	24	26	28	30	33	35												
	9250	RPM	1197	1267	1339	1410	1484	1553	1628	1698	1771													
		Bhp	2.10	2.66	3.23	3.85	4.52	5.20	5.95	6.73	7.50													
	10000	sones	21	22	23	25	26	27	29	31	34													
		RPM	1310	1376	1439	1503	1568	1635	1698	1764														
		Bhp	2.71	3.32	3.95	4.61	5.30	6.03	6.78	7.59														
		sones	25	25	26	27	28	30	31	33														
	RPM	1424	1485	1542	1601	1659	1719	1780																
	Bhp	3.43	4.12	4.80	5.47	6.22	6.98	7.78																
	sones	29	29	29	30	31	32	34																
	RPM	1539	1596	1650	1703	1756																		
	Bhp	4.28	5.04	5.77	6.51	7.25																		
	sones	32	32	33	34	35																		
	RPM	1655	1708	1760																				
	Bhp	5.28	6.10	6.87																				
	sones	36	37	37																				

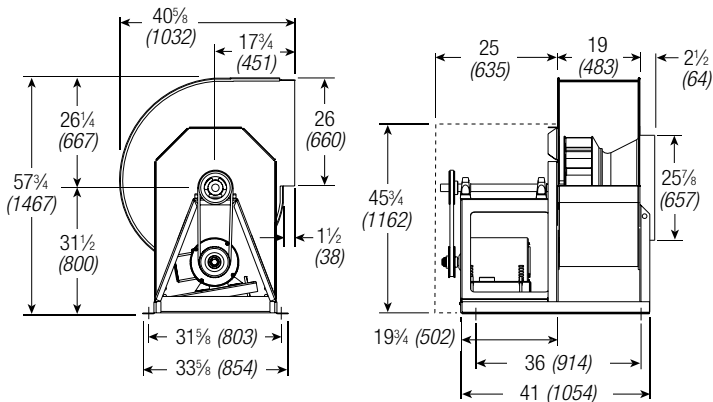
MAXIMUM Bhp AT A GIVEN RPM = $(\text{RPM}/897)^3$
 MAXIMUM RPM = 1798
 TIP SPEED (ft/min) = RPM x 5.82
 MAXIMUM MOTOR FRAME SIZE = 215T

Performance certified is for installation Type B Free inlet, Ducted outlet. Power rating (Bhp) does not include transmission losses. Performance ratings do not include the effects of appurtenances (accessories). The AMCA Certified Ratings seal applies to air performance ratings only.

Utility Fans

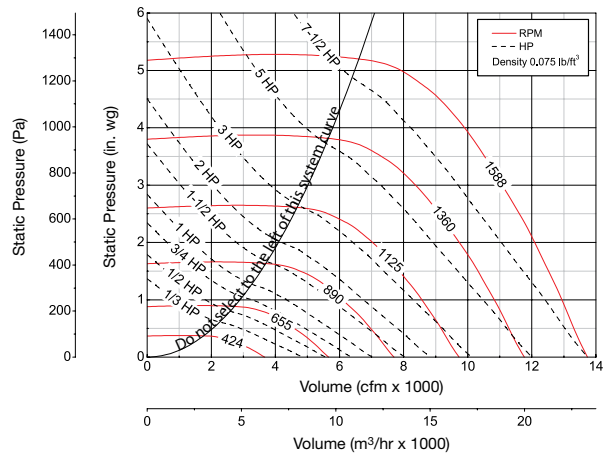
Performance and Dimensional Data

XUEB-224 - Belt Drive • Series 200



Wheel Diameter = 24 1/2 (622)
 Shaft Diameter = 1 1/2 (38)
 Outlet Area = 3.40 ft² (0.32 m²)
 ^Approximate Unit Weight = 568 lbs. (258 kg)

All dimensions in inches (millimeters).
 ^Weight shown is largest cataloged Open Drip Proof motor.



Model Number	Fan cfm		Static Pressure (in. wg)																					
			0.5	0.75	1	1.5	2	2.5	3	3.5	4	4.5												
XUEB-224	3000	RPM	526	614	699																			
		Bhp	0.34	0.51	0.71																			
		sones	7.4	9.1	12.7																			
	3900	RPM	594	659	726	861																		
		Bhp	0.50	0.68	0.89	1.37																		
		sones	8.5	9.4	10.4	14.5																		
	4800	RPM	674	729	783	890	1001	1106																
		Bhp	0.71	0.92	1.14	1.64	2.20	2.84																
		sones	10.0	11.0	11.7	13.2	16.1	18.9																
	5700	RPM	760	809	856	945	1036	1126	1221	1309														
		Bhp	1.00	1.24	1.49	2.01	2.60	3.22	3.95	4.72														
		sones	12.4	13.0	13.5	14.7	16.5	19.1	22	25														
	6600	RPM	851	894	936	1015	1093	1171	1251	1329	1411	1487												
		Bhp	1.36	1.64	1.92	2.49	3.11	3.77	4.49	5.24	6.10	6.98												
		sones	14.5	15.2	15.8	17.0	18.2	20	23	25	27	29												
	7500	RPM	946	982	1020	1093	1162	1230	1300	1369	1438	1508												
		Bhp	1.82	2.13	2.44	3.09	3.74	4.45	5.19	5.98	6.80	7.65												
		sones	17.1	17.8	18.6	19.7	21	22	24	26	27	29												
	8400	RPM	1041	1076	1108	1175	1240	1301	1362	1423	1484													
		Bhp	2.38	2.73	3.08	3.79	4.51	5.24	6.03	6.85	7.69													
		sones	20	21	22	23	24	25	25	26	28													
	9300	RPM	1139	1170	1200	1261	1320	1378	1433	1489														
		Bhp	3.07	3.44	3.83	4.60	5.39	6.20	7.01	7.87														
		sones	24	25	25	27	27	27	28	28														
10200	RPM	1239	1266	1294	1348	1404	1458	1510																
	Bhp	3.89	4.29	4.71	5.55	6.41	7.28	8.16																
	sones	28	29	29	30	30	30	31																
11100	RPM	1339	1364	1390	1440	1490																		
	Bhp	4.85	5.28	5.73	6.65	7.57																		
	sones	31	32	32	32	33																		
12000	RPM	1440	1463	1486	1534																			
	Bhp	5.98	6.43	6.90	7.89																			
	sones	34	35	35	36																			

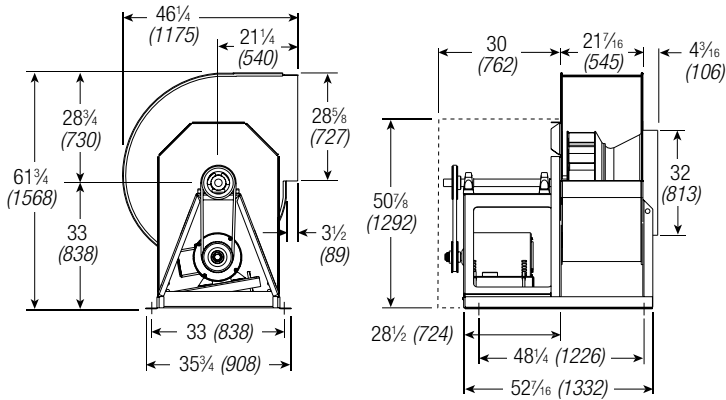
MAXIMUM Bhp AT A GIVEN RPM = (RPM/749)³
 MAXIMUM RPM = 1588
 TIP SPEED (ft/min) = RPM x 6.41
 MAXIMUM MOTOR FRAME SIZE = 256T

Performance certified is for installation Type B Free inlet, Ducted outlet. Power rating (Bhp) does not include transmission losses. Performance ratings do not include the effects of appurtenances (accessories). The AMCA Certified Ratings seal applies to air performance ratings only.

Utility Fans

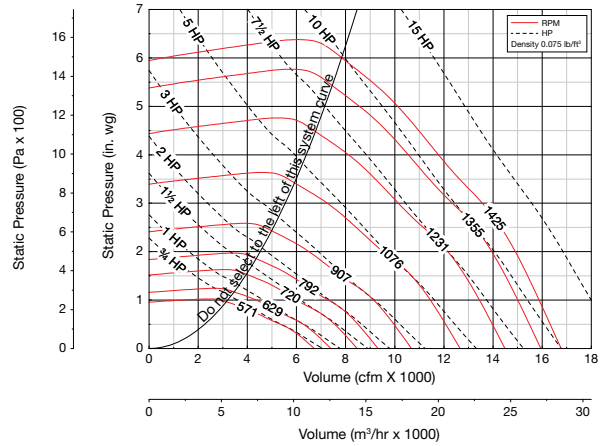
Performance and Dimensional Data

XUEB-327 - Belt Drive • Series 300



Wheel Diameter = 27 (686)
 Shaft Diameter = 1 1/16 (43)
 Outlet Area = 4.19 ft² (0.389 m²)
 ^Approximate Unit Weight = 917 lbs. (417 kg)

All dimensions in inches (millimeters).
 ^Weight shown includes largest cataloged Open Drip Proof motor and weatherhood.



MAXIMUM Bhp at a given RPM = (RPM/629)³
 MAXIMUM RPM = 1425
 TIP SPEED (ft/min) = RPM x 7.07
 MAXIMUM MOTOR FRAME SIZE = 256T

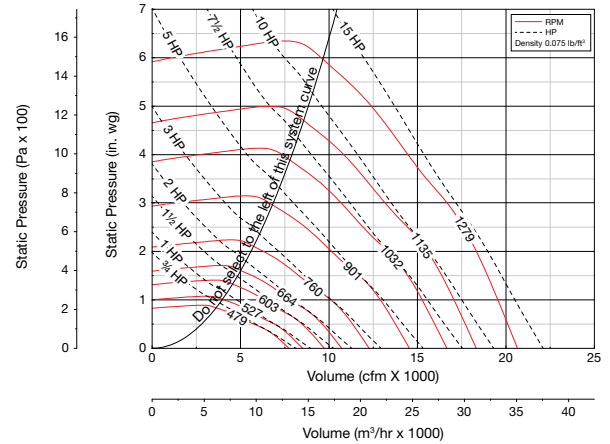
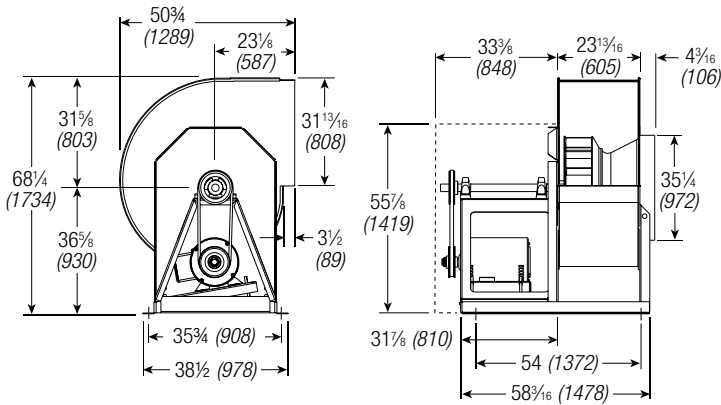
Model Number	Fan cfm		Static Pressure (in. wg)																							
			0.5	1	1.5	2	2.5	3	3.5	4	4.5	5														
XUEB-327	5000	RPM	551	663	756	841																				
		Bhp	0.66	1.10	1.57	2.08																				
		sones	8.8	12.3	15.3	17.0																				
	5900	RPM	604	712	800	878	953	1022																		
		Bhp	0.89	1.40	1.92	2.48	3.07	3.69																		
		sones	11.2	14.2	17.8	18.7	19.8	22																		
	6800	RPM	666	764	849	923	991	1058	1120	1179	1234															
		Bhp	1.17	1.75	2.34	2.95	3.59	4.26	4.96	5.67	6.40															
		sones	13.3	16.2	18.6	19.9	22	23	25	27	29															
	7700	RPM	731	815	900	971	1037	1098	1157	1215	1270	1322														
		Bhp	1.53	2.17	2.83	3.50	4.19	4.91	5.65	6.43	7.22	8.02														
		sones	16.0	17.9	19.6	22	23	25	27	29	30	31														
	8600	RPM	801	872	951	1022	1085	1145	1201	1253	1307	1358														
		Bhp	1.97	2.65	3.40	4.14	4.88	5.66	6.45	7.26	8.11	8.97														
		sones	19.2	19.7	22	24	26	27	29	30	31	33														
	9500	RPM	871	934	1003	1074	1136	1194	1248	1299	1348	1395														
		Bhp	2.51	3.23	4.03	4.86	5.67	6.50	7.35	8.21	9.10	10.00														
		sones	21	22	24	26	28	30	31	32	33	34														
	10400	RPM	942	997	1059	1125	1188	1244	1297	1347	1395															
		Bhp	3.14	3.90	4.76	5.66	6.56	7.45	8.35	9.27	10.22															
		sones	24	25	27	29	31	33	33	34	35															
	11300	RPM	1014	1066	1121	1177	1239	1296	1348	1397																
		Bhp	3.89	4.70	5.59	6.55	7.53	8.51	9.47	10.45																
		sones	27	29	30	32	34	35	36	37																
12200	RPM	1086	1135	1184	1236	1291	1347	1400																		
	Bhp	4.74	5.62	6.54	7.55	8.60	9.66	10.72																		
	sones	31	33	35	36	37	38	39																		
13100	RPM	1160	1205	1249	1298	1345	1399																			
	Bhp	5.72	6.67	7.62	8.68	9.78	10.91																			
	sones	36	38	38	39	39	40																			
14000	RPM	1233	1276	1317	1361	1407																				
	Bhp	6.83	7.85	8.87	9.94	11.10																				
	sones	40	41	41	42	43																				

Performance certified is for installation Type B Free inlet, Ducted outlet. Power rating (Bhp) does not include transmission losses. Performance ratings do not include the effects of appurtenances (accessories). The AMCA Certified Ratings seal applies to air performance ratings only.

Utility Fans

Performance and Dimensional Data

XUEB-330 - Belt Drive • Series 300



Wheel Diameter = 30 (762)
 Shaft Diameter = 11 5/16 (49)
 Outlet Area = 5.17 ft² (0.48 m²)
 ^Approximate Unit Weight = 1088 lbs. (495 kg)

All dimensions in inches (millimeters).
 ^Weight shown includes largest cataloged Open Drip Proof motor and weatherhood.

MAXIMUM Bhp AT A GIVEN RPM = (RPM/527)³
 MAXIMUM RPM = 1279
 TIP SPEED (ft/min) = RPM x 7.85
 MAXIMUM MOTOR FRAME SIZE = 256T

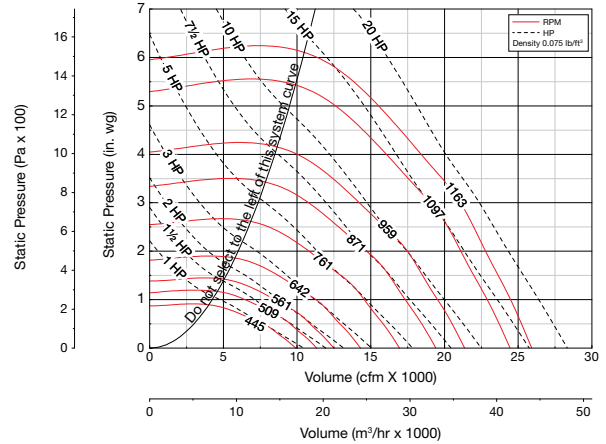
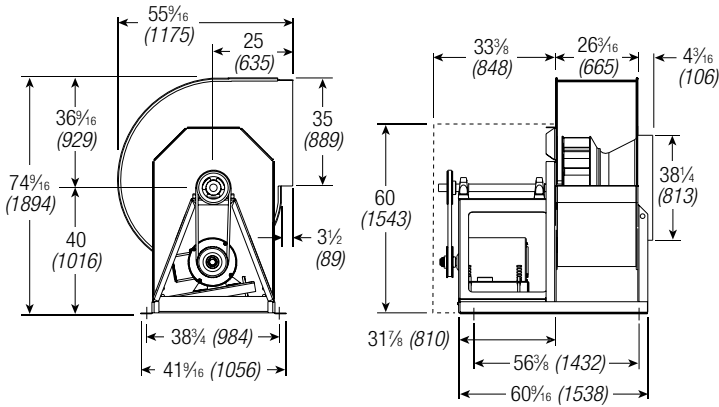
Model Number	Fan cfm		Static Pressure (in. wg)																						
			0.5	1	1.5	2	2.5	3	3.5	4	4.5	5													
XUEB-330	7000	RPM	531	630	709	782	849	911																	
		Bhp	1.02	1.62	2.25	2.93	3.65	4.39																	
		sones	10.5	14.3	17.4	20	21	22																	
	8000	RPM	580	671	748	816	879	940	997	1050															
		Bhp	1.31	2.00	2.69	3.42	4.19	5.00	5.83	6.69															
		sones	13.0	16.0	19.1	22	23	24	25	27															
	9000	RPM	631	713	789	854	914	970	1026	1079	1128	1175													
		Bhp	1.67	2.43	3.21	4.00	4.82	5.68	6.58	7.50	8.44	9.40													
		sones	15.3	17.7	21	23	24	25	27	28	30	32													
	10000	RPM	686	755	831	894	953	1007	1057	1109	1158	1204													
		Bhp	2.12	2.93	3.80	4.66	5.54	6.46	7.39	8.38	9.39	10.42													
		sones	17.7	19.7	22	24	25	27	28	30	31	33													
	11000	RPM	742	804	872	936	993	1045	1095	1142	1188	1234													
		Bhp	2.65	3.51	4.45	5.40	6.35	7.32	8.33	9.35	10.41	11.50													
		sones	21	22	23	25	27	29	31	31	33	34													
	12000	RPM	799	855	914	978	1034	1085	1134	1180	1224	1266													
		Bhp	3.28	4.18	5.19	6.23	7.26	8.30	9.36	10.45	11.56	12.69													
		sones	24	24	25	27	29	31	32	33	34	35													
	13000	RPM	857	906	961	1019	1076	1127	1174	1219	1262														
		Bhp	4.00	4.95	6.02	7.13	8.27	9.38	10.50	11.64	12.82														
		sones	26	27	28	30	32	34	34	35	36														
	14000	RPM	915	962	1011	1061	1117	1169	1215	1259															
		Bhp	4.84	5.85	6.96	8.13	9.35	10.57	11.76	12.97															
		sones	29	30	31	33	35	36	37	37															
15000	RPM	974	1018	1062	1109	1159	1210	1257																	
	Bhp	5.79	6.87	8.01	9.25	10.53	11.84	13.14																	
	sones	32	33	35	36	37	38	39																	
16000	RPM	1033	1075	1114	1159	1202	1252																		
	Bhp	6.86	8.02	9.19	10.49	11.83	13.22																		
	sones	36	37	38	39	40	40																		
17000	RPM	1093	1132	1170	1210	1252																			
	Bhp	8.07	9.31	10.54	11.86	13.27																			
	sones	40	41	41	42	42																			

Performance certified is for installation Type B Free inlet, Ducted outlet. Power rating (Bhp) does not include transmission losses. Performance ratings do not include the effects of appurtenances (accessories). The AMCA Certified Ratings seal applies to air performance ratings only.

Utility Fans

Performance and Dimensional Data

XUEB-333 - Belt Drive • Series 300



Wheel Diameter = 33 (838)
 Shaft Diameter = $1\frac{15}{16}$ (49)
 Outlet Area = 6.26 ft² (0.582 m²)
 ^Approximate Unit Weight = 1231 lbs. (560 kg)

All dimensions in inches (millimeters).
 ^Weight shown includes largest cataloged Open Drip Proof motor and weatherhood.

MAXIMUM Bhp AT A GIVEN RPM = $(RPM/445)^3$
 MAXIMUM RPM = 1163
 TIP SPEED (ft/min) = RPM x 8.64
 MAXIMUM MOTOR FRAME SIZE = 256T

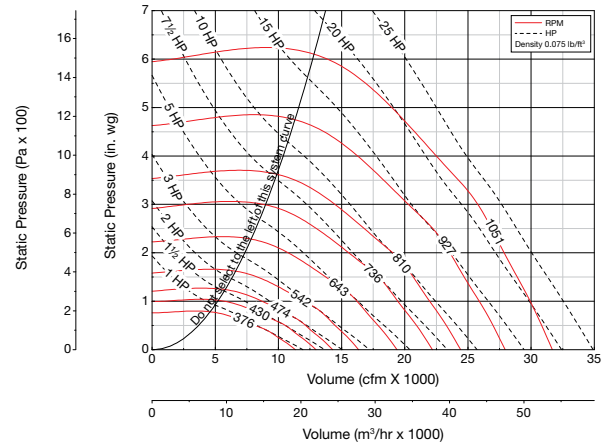
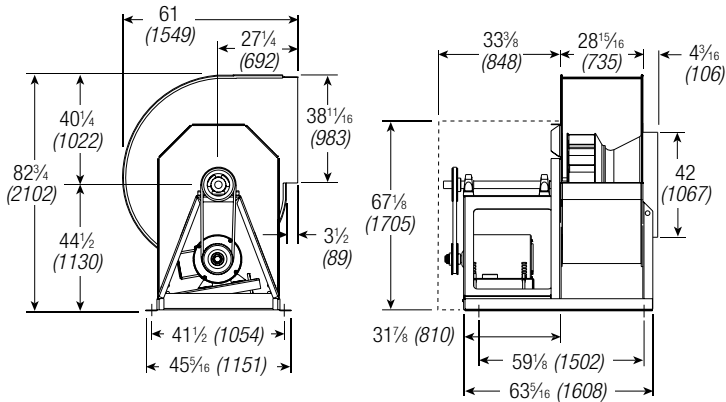
Model Number	Fan cfm		Static Pressure (in. wg)																					
			0.5	1	1.5	2	2.5	3	3.5	4	4.5	5												
XUEB-333	7500	RPM	440	535	615	686	756	821																
		Bhp	0.96	1.61	2.31	3.09	3.94	4.86																
		sones	8.8	12.5	15.1	18.1	20	22																
	9000	RPM	489	576	650	717	779	836	895	951	1004													
		Bhp	1.32	2.09	2.87	3.71	4.62	5.57	6.60	7.68	8.80													
		sones	11.5	14.4	17.8	20	21	23	25	28	31													
	10500	RPM	547	619	690	753	811	867	919	968	1018	1068												
		Bhp	1.81	2.68	3.57	4.49	5.43	6.47	7.55	8.65	9.83	11.07												
		sones	13.9	16.4	20	22	23	24	26	28	30	33												
	12000	RPM	606	666	733	794	849	901	950	999	1044	1088												
		Bhp	2.42	3.36	4.41	5.41	6.46	7.53	8.66	9.86	11.09	12.34												
		sones	16.8	18.7	21	23	25	26	28	30	31	32												
	13500	RPM	666	721	778	836	890	940	987	1031	1075	1118												
		Bhp	3.17	4.21	5.34	6.50	7.64	8.81	10.00	11.21	12.52	13.87												
		sones	20	22	23	25	27	28	30	31	33	34												
	15000	RPM	727	779	826	880	932	980	1026	1070	1111	1150												
		Bhp	4.08	5.23	6.40	7.72	9.00	10.26	11.55	12.86	14.20	15.55												
		sones	24	24	25	27	29	31	33	34	35	36												
	16500	RPM	789	838	882	927	976	1023	1067	1109	1150													
		Bhp	5.16	6.44	7.70	9.05	10.51	11.91	13.29	14.69	16.13													
		sones	26	27	29	30	32	34	35	36	37													
	18000	RPM	852	898	940	978	1023	1067	1110	1151														
		Bhp	6.44	7.83	9.21	10.60	12.13	13.72	15.25	16.76														
		sones	30	31	33	34	35	36	37	39														
19500	RPM	916	958	998	1035	1070	1114	1154																
	Bhp	7.94	9.42	10.94	12.42	13.95	15.65	17.37																
	sones	34	36	37	38	38	39	40																
21000	RPM	981	1019	1058	1093	1127	1161																	
	Bhp	9.67	11.25	12.89	14.49	16.10	17.78																	
	sones	39	40	41	41	42	43																	
22500	RPM	1046	1081	1117	1152																			
	Bhp	11.60	13.30	15.10	16.80																			
	sones	43	44	45	45																			

Performance certified is for installation Type B Free inlet, Ducted outlet. Power rating (Bhp) does not include transmission losses. Performance ratings do not include the effects of appurtenances (accessories). The AMCA Certified Ratings seal applies to air performance ratings only.

Utility Fans

Performance and Dimensional Data

XUEB-336 - Belt Drive • Series 300



Wheel Diameter = 36 1/2 (927)
 Shaft Diameter = 2 3/16 (56)
 Outlet Area = 7.66 ft² (0.712 m²)
 ^Approximate Unit Weight = 1530 lbs. (695 kg)

All dimensions in inches (millimeters).
 ^Weight shown includes largest cataloged Open Drip Proof motor and weatherhood.

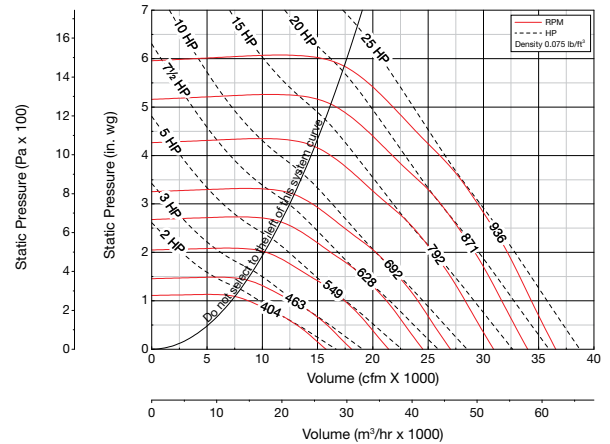
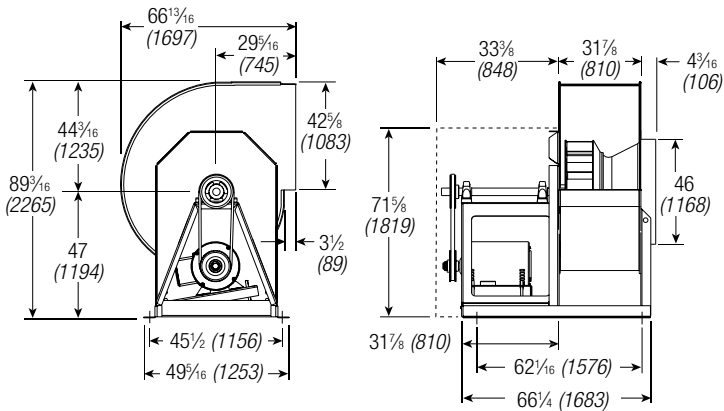
MAXIMUM Bhp AT A GIVEN RPM = (RPM/376)³
 MAXIMUM RPM = 1051
 TIP SPEED (ft/min) = RPM x 9.56
 MAXIMUM MOTOR FRAME SIZE = 256T

Model Number	CFM		Static Pressure (in. wg)																						
			0.5	1	1.5	2	2.5	3	3.5	4	4.5	5													
XUEB-336	7500	RPM	362	454	532	606																			
		Bhp	0.86	1.54	2.33	3.24																			
		sones	7.8	10.4	14.1	19.5																			
	9500	RPM	405	490	561	625	685	745																	
		Bhp	1.25	2.06	2.94	3.90	4.95	6.09																	
		sones	10.0	12.3	15.3	17.5	21	24																	
	11500	RPM	456	531	597	656	712	764	813	863	911														
		Bhp	1.77	2.74	3.73	4.76	5.91	7.09	8.34	9.70	11.09														
		sones	12.7	15.0	18.4	19.6	21	24	26	29	33														
	13500	RPM	513	575	638	694	745	794	841	885	926	970													
		Bhp	2.46	3.56	4.72	5.87	7.07	8.35	9.70	11.10	12.52	14.05													
		sones	16.2	18.2	20	22	24	26	27	29	31	34													
	15500	RPM	572	623	680	734	784	830	873	915	957	996													
		Bhp	3.35	4.54	5.89	7.20	8.52	9.88	11.28	12.78	14.33	15.92													
		sones	20	21	23	25	27	28	29	31	32	34													
	17500	RPM	631	680	727	777	825	869	911	951	988	1026													
		Bhp	4.45	5.80	7.21	8.75	10.21	11.69	13.22	14.77	16.35	18.04													
		sones	24	25	26	29	30	31	31	32	34	36													
	19500	RPM	692	738	778	823	867	910	951	989	1026														
		Bhp	5.79	7.30	8.80	10.44	12.16	13.79	15.43	17.11	18.82														
		sones	27	29	31	32	33	34	34	35	37														
	21500	RPM	754	796	835	870	913	953	992	1030															
		Bhp	7.41	9.07	10.72	12.38	14.25	16.16	17.95	19.75															
		sones	31	33	34	35	36	37	38	39															
23500	RPM	817	855	892	926	959	999	1035																	
	Bhp	9.33	11.13	12.95	14.75	16.61	18.66	20.75																	
	sones	36	37	38	38	39	40	41																	
25500	RPM	881	916	951	983	1014	1045																		
	Bhp	11.60	13.50	15.50	17.40	19.40	21.50																		
	sones	40	40	41	42	43	44																		
27500	RPM	944	976	1010	1041																				
	Bhp	14.20	16.30	18.40	20.50																				
	sones	44	45	46	46																				

Performance certified is for installation Type B Free inlet, Ducted outlet. Power rating (Bhp) does not include transmission losses. Performance ratings do not include the effects of appurtenances (accessories). The AMCA Certified Ratings seal applies to air performance ratings only.

Utility Fans

Performance and Dimensional Data XUEB-340 - Belt Drive • Series 300



Wheel Diameter = $40\frac{1}{4}$ (1022)
 Shaft Diameter = $2\frac{3}{16}$ (56)
 Outlet Area = 9.31 ft² (0.865 m²)
 ^Approximate Unit Weight = 1709 lbs. (777 kg)

All dimensions in inches (millimeters).
 ^Weight shown includes largest cataloged Open Drip Proof motor and weatherhood.

$$\text{MAXIMUM Bhp AT A GIVEN RPM} = \left(\frac{\text{RPM}}{321}\right)^3$$

$$\text{MAXIMUM RPM} = 936$$

$$\text{TIP SPEED (ft/min)} = \text{RPM} \times 10.54$$

$$\text{MAXIMUM MOTOR FRAME SIZE} = 286T$$

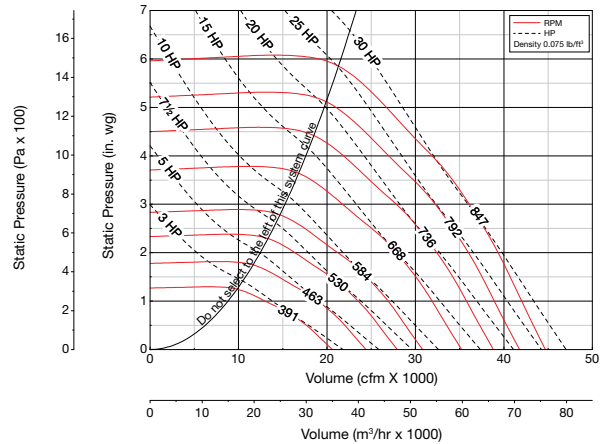
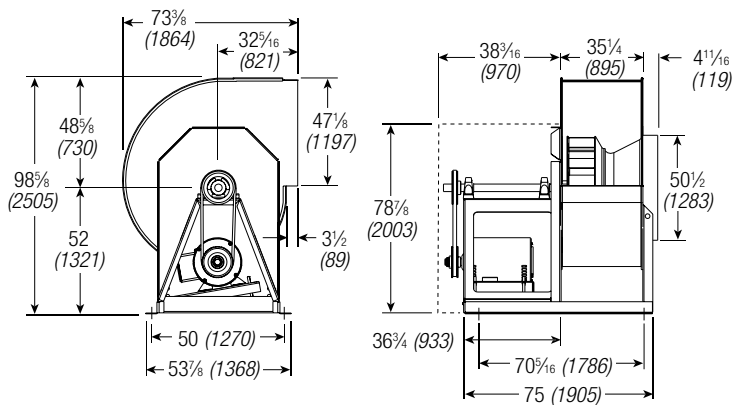
Model Number	CFM		Static Pressure (in. wg)																							
			0.5	1	1.5	2	2.5	3	3.5	4	4.5	5														
XUEB-340	12500	RPM	391	460	521	575	625	671																		
		Bhp	1.80	2.85	3.92	5.06	6.29	7.56																		
		sones	12.2	14.2	16.9	19.6	21	24																		
	14250	RPM	428	488	547	599	646	691	733																	
		Bhp	2.32	3.51	4.70	5.93	7.22	8.61	10.04																	
		sones	14.6	16.3	19.1	22	23	25	27																	
	16000	RPM	466	521	575	625	670	712	754	793	829															
		Bhp	2.95	4.25	5.60	6.95	8.34	9.76	11.30	12.88	14.49															
		sones	17.1	18.7	22	23	25	26	28	31	33															
	17750	RPM	506	555	603	652	697	738	776	813	850	885														
		Bhp	3.72	5.12	6.63	8.10	9.60	11.14	12.71	14.37	16.10	17.86														
		sones	20	22	24	25	27	28	30	32	34	36														
	19500	RPM	547	592	636	680	724	764	802	837	871	905														
		Bhp	4.63	6.14	7.75	9.40	11.02	12.67	14.36	16.08	17.83	19.71														
		sones	23	25	26	27	29	31	33	34	35	37														
	21250	RPM	589	629	670	710	751	791	828	863	896	928														
		Bhp	5.70	7.31	9.02	10.82	12.60	14.37	16.17	18.01	19.87	21.75														
		sones	27	27	28	30	32	34	35	36	37	38														
	23000	RPM	631	668	706	744	780	818	855	889	922															
		Bhp	6.94	8.65	10.47	12.37	14.34	16.25	18.17	20.11	22.09															
		sones	29	30	31	33	35	37	37	38	39															
	24750	RPM	673	708	743	778	813	846	882	917																
		Bhp	8.37	10.19	12.11	14.11	16.19	18.31	20.36	22.42																
		sones	32	33	35	37	39	39	40	41																
26500	RPM	716	749	781	814	847	879	910																		
	Bhp	9.98	11.93	13.95	16.06	18.24	20.48	22.74																		
	sones	35	37	39	41	42	42	43																		
28250	RPM	758	790	819	851	881	912																			
	Bhp	11.80	13.90	16.00	18.20	20.50	22.80																			
	sones	39	41	42	43	44	45																			
30000	RPM	801	832	860	889	918																				
	Bhp	13.80	16.10	18.30	20.60	23.00																				
	sones	43	44	45	46	47																				

Performance certified is for installation Type B Free inlet, Ducted outlet. Power rating (Bhp) does not include transmission losses. Performance ratings do not include the effects of appurtenances (accessories). The AMCA Certified Ratings seal applies to air performance ratings only.

Utility Fans

Performance and Dimensional Data

XUEB-344 - Belt Drive • Series 300



Wheel Diameter = 44 1/2 (1130)
 Shaft Diameter = 2 1/16 (62)
 Outlet Area = 11.39 ft² (0.106 m²)
 ^Approximate Unit Weight = 2127 lbs. (967 kg)

All dimensions in inches (millimeters).
 ^Weight shown includes largest cataloged Open Drip Proof motor and weatherhood.

MAXIMUM Bhp AT A GIVEN RPM = (RPM/271)³
 MAXIMUM RPM = 847
 TIP SPEED (ft/min) = RPM x 11.65
 MAXIMUM MOTOR FRAME SIZE = 324T

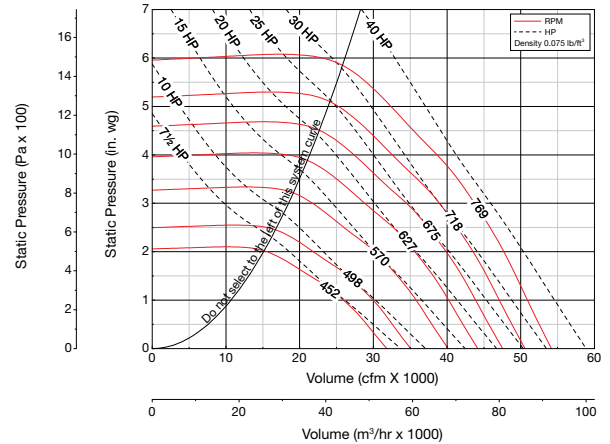
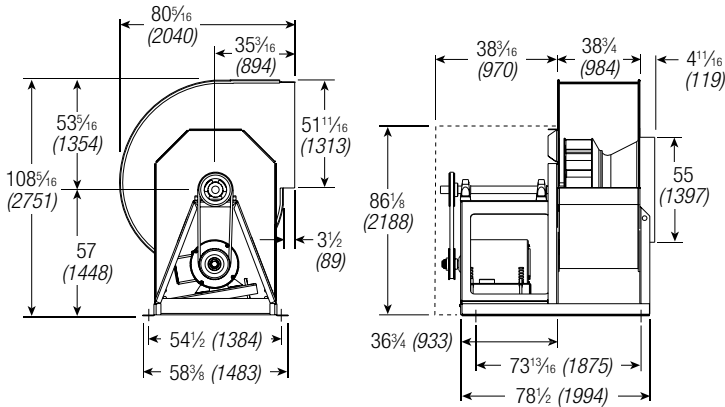
Model Number	CFM		Static Pressure (in. wg)																					
			0.5	1	1.5	2	2.5	3	3.5	4	4.5	5												
XUEB-344	15000	RPM	350	413	468	517	563																	
		Bhp	2.12	3.38	4.67	6.06	7.55																	
		sones	11.6	14.3	17.9	20	21																	
	17000	RPM	381	436	490	537	580	621	660															
		Bhp	2.70	4.12	5.54	7.02	8.60	10.26	11.98															
		sones	14.0	16.6	21	22	22	24	26															
	19000	RPM	413	463	513	559	600	639	677	712	745													
		Bhp	3.39	4.95	6.54	8.15	9.81	11.55	13.40	15.29	17.22													
		sones	16.7	19.3	22	23	24	25	28	30	32													
	21000	RPM	446	492	537	582	622	659	694	730	763	794												
		Bhp	4.23	5.89	7.67	9.42	11.21	13.05	14.94	16.96	19.02	21.13												
		sones	19.9	23	23	24	25	27	29	31	33	35												
	23000	RPM	481	522	563	605	645	682	716	748	780	811												
		Bhp	5.21	6.99	8.91	10.85	12.77	14.74	16.74	18.78	20.95	23.19												
		sones	24	25	24	26	28	29	31	33	35	37												
	25000	RPM	516	554	592	629	668	704	738	770	800	829												
		Bhp	6.35	8.26	10.29	12.43	14.50	16.59	18.74	20.91	23.12	25.39												
		sones	27	26	26	28	30	32	33	34	36	38												
	27000	RPM	551	585	621	657	692	727	761	792	822													
		Bhp	7.67	9.69	11.85	14.11	16.40	18.64	20.90	23.22	25.56													
		sones	28	28	29	31	33	34	36	37	38													
	29000	RPM	586	619	652	685	718	751	784	815	844													
		Bhp	9.18	11.33	13.60	15.98	18.44	20.88	23.29	25.71	28.20													
		sones	29	30	32	34	36	37	38	39	41													
31000	RPM	622	653	684	715	746	775	807	838															
	Bhp	10.90	13.20	15.60	18.00	20.60	23.30	25.90	28.40															
	sones	32	34	36	37	38	39	41	42															
33000	RPM	658	688	716	746	775	804	831																
	Bhp	12.80	15.20	17.70	20.40	23.00	25.80	28.70																
	sones	36	37	39	40	41	42	43																
35000	RPM	695	723	749	777	804	832																	
	Bhp	15.00	17.50	20.10	22.90	25.70	28.60																	
	sones	40	41	42	43	44	45																	

Performance certified is for installation Type B Free inlet, Ducted outlet. Power rating (Bhp) does not include transmission losses. Performance ratings do not include the effects of appurtenances (accessories). The AMCA Certified Ratings seal applies to air performance ratings only.

Utility Fans

Performance and Dimensional Data

XUEB-349 - Belt Drive • Series 300



Wheel Diameter = 49 (1245)
 Shaft Diameter = $2\frac{7}{16}$ (62)
 Outlet Area = 13.8 ft² (1.28 m²)
 ^Approximate Unit Weight = 2433 lbs. (1106 kg)

All dimensions in inches (millimeters).
 ^Weight shown includes largest cataloged Open Drip Proof motor and weatherhood.

$$\text{MAXIMUM Bhp AT A GIVEN RPM} = \left(\frac{\text{RPM}}{231}\right)^3$$

$$\text{MAXIMUM RPM} = 769$$

$$\text{TIP SPEED (ft/min)} = \text{RPM} \times 12.83$$

$$\text{MAXIMUM MOTOR FRAME SIZE} = 324T$$

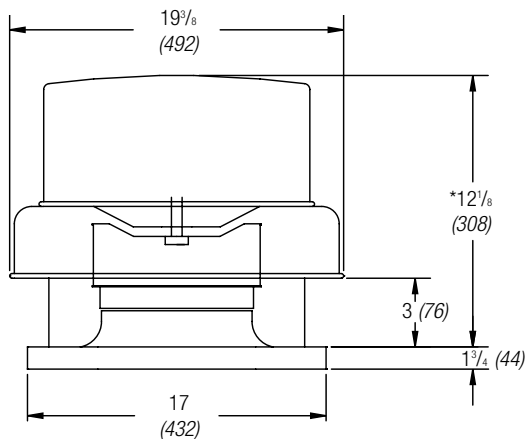
Model Number	CFM		Static Pressure (in. wg)																			
			0.5	1	1.5	2	2.5	3	3.5	4	4.5	5										
XUEB-349	20000	RPM	339	391	440	483	523	560	595													
		Bhp	3.08	4.76	6.44	8.20	10.09	12.07	14.11													
		sones	14.0	16.4	19.7	24	25	25	28													
	22500	RPM	368	415	461	503	541	577	611	643												
		Bhp	3.91	5.77	7.65	9.57	11.54	13.65	15.85	18.11												
		sones	16.7	18.9	22	27	27	27	28	30												
	25000	RPM	399	442	483	524	561	595	628	660	690	718										
		Bhp	4.92	6.92	9.03	11.11	13.26	15.45	17.74	20.17	22.64	25.16										
		sones	19.7	22	26	28	28	28	30	32	34	37										
	27500	RPM	431	470	508	546	582	616	647	676	706	734										
		Bhp	6.11	8.26	10.56	12.86	15.16	17.53	19.93	22.38	25.02	27.70										
		sones	23	26	29	29	29	30	32	34	36	38										
	30000	RPM	464	499	534	568	604	637	668	696	724	751										
		Bhp	7.51	9.80	12.25	14.81	17.30	19.81	22.39	25.01	27.66	30.43										
		sones	28	31	30	30	31	33	34	36	38	40										
	32500	RPM	497	529	562	594	626	658	689	717	744											
		Bhp	9.13	11.57	14.17	16.90	19.65	22.35	25.08	27.87	30.69											
		sones	33	32	31	31	33	35	37	39	40											
	35000	RPM	530	560	591	621	650	680	710	738	765											
		Bhp	11.00	13.60	16.30	19.20	22.20	25.10	28.00	31.00	34.00											
sones		35	34	33	34	36	38	40	42	43												
37500	RPM	564	592	620	648	676	703	732	760													
	Bhp	13.10	15.90	18.80	21.80	24.90	28.10	31.30	34.40													
	sones	36	36	36	38	40	42	43	45													
40000	RPM	598	625	650	677	703	730	754														
	Bhp	15.50	18.50	21.50	24.70	27.90	31.30	34.70														
	sones	38	38	40	42	44	45	47														
42500	RPM	632	657	681	707	731	756															
	Bhp	18.20	21.30	24.50	27.80	31.20	34.80															
	sones	41	42	44	46	48	49															
45000	RPM	666	690	713	736	760																
	Bhp	21.20	24.50	27.90	31.30	34.90																
	sones	45	47	48	50	51																

Performance certified is for installation Type B Free inlet, Ducted outlet. Power rating (Bhp) does not include transmission losses. Performance ratings do not include the effects of appurtenances (accessories). The AMCA Certified Ratings seal applies to air performance ratings only.

Roof Exhaust Fans

Performance and Dimensional Data

XRED-060 and 065 - Direct Drive

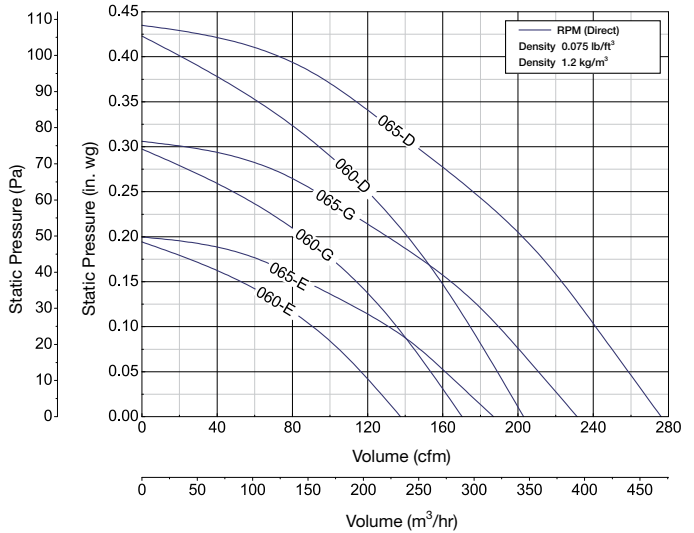


Damper Size = 8 x 8 (203 x 203)
 Roof Opening = 10½ x 10½ (267 x 267)
 Shroud Thickness = 0.064 (1.6)
 Motor Cover Thickness = 0.040 (1.0)
 Curb Cap Thickness = 0.064 (1.6)
 ^Approximate Unit Weight = 15 lbs. (7 kg)

All dimensions in inches (millimeters).

*May be greater depending on motor.

^Weight shown is largest cataloged Open Drip-Proof motor.



Direct Drive RPM

E-1050 RPM	G-1300 RPM	D-1550 RPM
------------	------------	------------

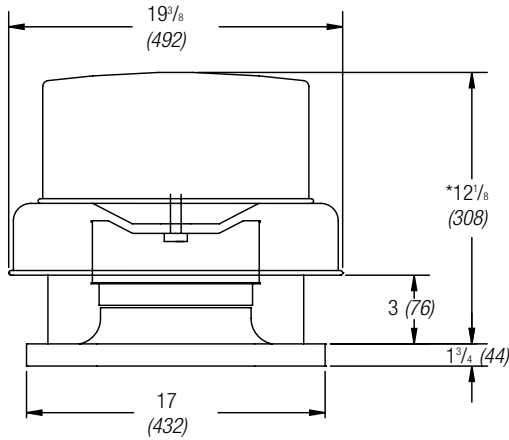
Motor HP	Fan RPM		Static Pressure (in. wg)									
			0	0.05	0.1	0.125	0.15	0.2	0.25	0.3	0.375	0.4
060												
E-1/200	1050	cfm	138	116	90	73	53					
		Bhp	0.00	0.00	0.01	0.01	0.01					
		sones	1.7	1.7	1.7	1.7	1.7					
G-1/100	1300	cfm	170	153	135	125	113	85				
		Bhp	0.01	0.01	0.01	0.01	0.01	0.01				
		sones	2.9	2.8	2.8	2.7	2.7	2.6				
D-1/60	1550	cfm	203	188	173	166	158	140	120	92		
		Bhp	0.01	0.01	0.01	0.01	0.02	0.02	0.02	0.02		
		sones	4.2	3.9	3.8	3.8	3.8	3.7	3.7	3.6		
065												
E-1/100	1050	cfm	187	161	130	110	87					
		Bhp	0.01	0.01	0.01	0.01	0.01					
		sones	2.2	2.1	1.9	1.8	1.7					
G-1/60	1300	cfm	231	211	189	178	163	130	92			
		Bhp	0.01	0.01	0.01	0.01	0.01	0.01	0.01			
		sones	3.2	3.1	3.0	2.9	2.9	2.8	2.7			
D-1/30	1550	cfm	276	259	241	232	223	201	176	145	96	
		Bhp	0.02	0.02	0.02	0.02	0.02	0.02	0.02	0.02	0.02	
		sones	4.9	4.6	4.5	4.5	4.4	4.3	4.3	4.1	4.0	

Performance certified is for installation Type A: Free inlet, Free outlet. Power rating (Bhp) does not include transmission losses. Performance ratings include the effects of a birdscreen. The sound ratings shown are loudness values in fan sones at 5 ft. (1.5 m) in a hemispherical free field calculated per AMCA Standard 301. Values shown are for installation Type A: Free inlet hemispherical sone levels.

Roof Exhaust Fans

Performance and Dimensional Data

XRED-070 and 075 - Direct Drive

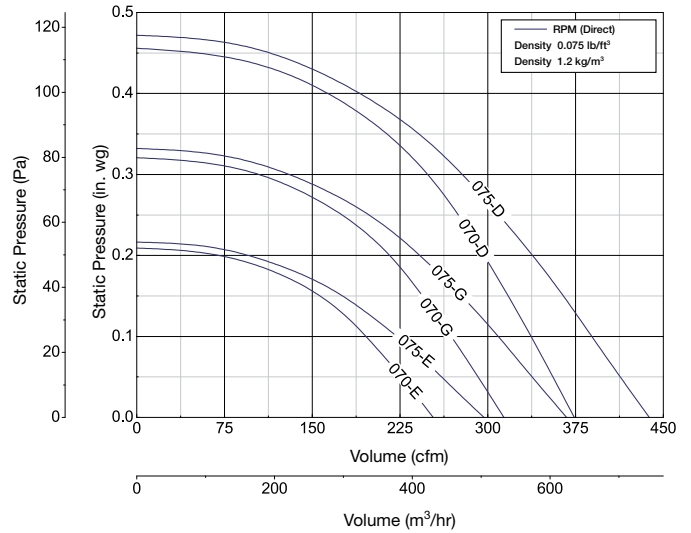


Damper Size = 8 x 8 (203 x 203)
 Roof Opening = 10½ x 10½ (267 x 267)
 Shroud Thickness = 0.064 (1.6)
 Motor Cover Thickness = 0.040 (1.0)
 Curb Cap Thickness = 0.064 (1.6)
 ^Approximate Unit Weight = 15 lbs. (7 kg)

All dimensions in inches (millimeters).

*May be greater depending on motor.

^Weight shown is largest cataloged Open Drip-Proof motor.



Direct Drive RPM

E-1050 RPM	G-1300 RPM	D-1550 RPM
------------	------------	------------

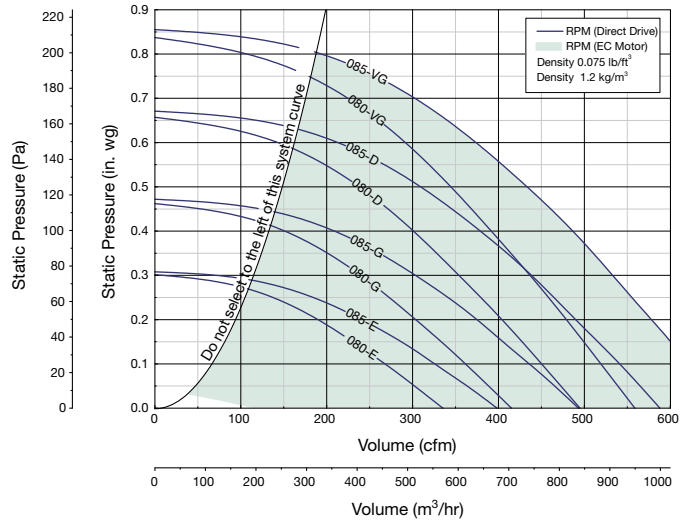
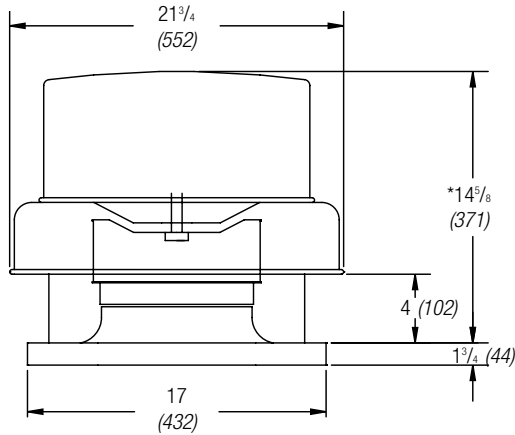
Motor HP	Fan RPM		Static Pressure (in. wg)									
			0	0.05	0.1	0.125	0.15	0.2	0.25	0.3	0.375	0.4
070												
E-1/100	1050	cfm	253	226	195	179	152					
		Bhp	0.01	0.01	0.01	0.01	0.01					
		sones	2.7	2.1	1.7	1.5	1.2					
G-1/60	1300	cfm	314	292	269	257	244	214	171			
		Bhp	0.01	0.01	0.02	0.02	0.02	0.02	0.02			
		sones	4.1	3.7	3.4	3.3	3.2	2.9	2.6			
D-1/30	1550	cfm	374	356	337	327	317	297	274	244	190	
		Bhp	0.02	0.02	0.02	0.03	0.03	0.03	0.03	0.03	0.03	
		sones	5.6	5.4	5.2	5.2	5.1	4.9	4.7	4.5	4.1	
075												
E-1/80	1050	cfm	297	260	222	200	176					
		Bhp	0.01	0.01	0.01	0.01	0.01					
		sones	3.6	3.1	2.9	2.8	2.6					
G-1/50	1300	cfm	367	338	309	293	277	241	195			
		Bhp	0.02	0.02	0.02	0.02	0.02	0.02	0.02			
		sones	4.1	3.9	3.7	3.7	3.7	3.6	3.5			
D-1/25	1550	cfm	438	413	389	377	364	337	309	277	214	
		Bhp	0.03	0.03	0.3	0.04	0.04	0.04	0.04	0.04	0.04	0.03
		sones	6.1	5.8	5.6	5.4	5.3	5.1	4.9	4.9	4.8	

Performance certified is for installation Type A: Free inlet, Free outlet. Power rating (Bhp) does not include transmission losses. Performance ratings include the effects of a birdscreen. The sound ratings shown are loudness values in fan sones at 5 ft. (1.5 m) in a hemispherical free field calculated per AMCA Standard 301. Values shown are for installation Type A: Free inlet hemispherical sone levels.

Roof Exhaust Fans

Performance and Dimensional Data

XRED-080 and 085 - Direct Drive



Damper Size = 10 x 10 (254 x 254)
 Roof Opening = 12½ x 12½ (318 x 318)
 Shroud Thickness = 0.064 (1.6)
 Motor Cover Thickness = 0.040 (1.0)
 Curb Cap Thickness = 0.064 (1.6)
 ^Approximate Unit Weight = 19 lbs. (9 kg)

All dimensions in inches (millimeters).

*May be greater depending on motor.

^Weight shown is largest cataloged Open Drip-Proof motor.

Direct Drive RPM

E-1050 RPM	G-1300 RPM	D-1550 RPM	VG-1725 RPM
------------	------------	------------	-------------

EC Motor	Motor HP	Fan RPM		Static Pressure (in. wg)									
				0	0.1	0.125	0.15	0.2	0.25	0.3	0.375	0.5	0.625
080													
VG-1/4	E-1/40	1050	cfm	335	268	249	230	189	134				
			Bhp	0.01	0.02	0.02	0.02	0.02	0.02				
			sones	3.8	3.7	3.6	3.7	3.9	4.2				
	G-1/30	1300	cfm	415	361	348	333	303	272	239	174		
			Bhp	0.02	0.03	0.03	0.03	0.03	0.03	0.03	0.03		
			sones	5.4	5.4	5.4	5.4	5.4	5.5	5.6	5.9		
	D-1/20	1550	cfm	495	450	439	427	404	379	354	314	237	
			Bhp	0.04	0.04	0.04	0.05	0.05	0.05	0.05	0.06	0.06	
			sones	7.3	7.3	7.3	7.3	7.3	7.2	7.3	7.3	7.6	
		1725	cfm	551	511	501	490	469	449	426	392	332	260
			Bhp	0.05	0.06	0.06	0.06	0.06	0.07	0.07	0.07	0.08	0.08
			sones	9.1	9.1	9.1	9.1	9	8.9	8.9	8.9	9.1	9.4
085													
VG-1/4	E-1/40	1050	cfm	398	326	307	286	240	179				
			Bhp	0.01	0.02	0.02	0.02	0.02	0.02				
			sones	4	3.9	3.9	3.9	4.1	4.3				
	G-1/30	1300	cfm	493	436	420	405	375	340	302	233		
			Bhp	0.02	0.03	0.03	0.03	0.03	0.04	0.04	0.04		
			sones	5.5	5.3	5.3	5.3	5.3	5.3	5.4	5.5		
	D-1/20	1550	cfm	588	541	528	515	490	464	439	394	308	168
			Bhp	0.04	0.04	0.05	0.05	0.05	0.05	0.06	0.06	0.06	0.06
			sones	7.6	7.4	7.4	7.4	7.4	7.4	7.4	7.4	7.6	8.1
		1725	cfm	654	612	602	590	567	544	521	486	419	340
			Bhp	0.05	0.06	0.06	0.06	0.07	0.07	0.07	0.08	0.08	0.09
			sones	9.5	9.4	9.4	9.3	9.3	9.3	9.3	9.3	9.4	9.4

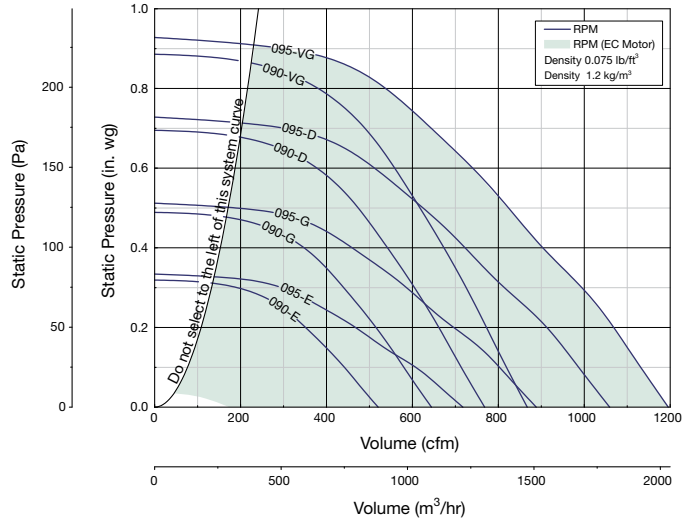
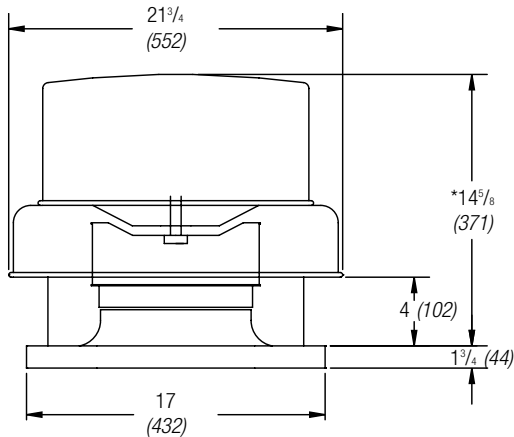
► VG denotes a direct drive brushless DC motor.

Performance certified is for installation Type A: Free inlet, Free outlet. Power rating (Bhp) does not include transmission losses. Performance ratings include the effects of a birdscreen. The sound ratings shown are loudness values in fan sones at 5 ft. (1.5 m) in a hemispherical free field calculated per AMCA Standard 301. Values shown are for installation Type A: Free inlet hemispherical sone levels.

Roof Exhaust Fans

Performance and Dimensional Data

XRED-090 and 095 - Direct Drive



- Damper Size = 10 x 10 (254 x 254)
- Roof Opening = 12½ x 12½ (318 x 318)
- Shroud Thickness = 0.064 (1.6)
- Motor Cover Thickness = 0.040 (1.0)
- Curb Cap Thickness = 0.064 (1.6)
- ^Approximate Unit Weight = 22 lbs. (10 kg)

All dimensions in inches (millimeters).

*May be greater depending on motor.

^Weight shown is largest cataloged Open Drip-Proof motor.

Direct Drive RPM

E-1050 RPM	G-1300 RPM	D-1550 RPM	VG-1725 RPM
------------	------------	------------	-------------

EC Motor	Motor HP	Fan RPM		Static Pressure (in. wg)									
				0	0.1	0.125	0.15	0.2	0.25	0.3	0.375	0.5	0.625
090													
VG-1/4	E-1/40	1050	cfm	520	441	420	398	351	293				
			Bhp	0.01	0.02	0.02	0.02	0.02	0.02				
			sones	4	3.9	3.9	4	4.1	4.2				
	G-1/25	1300	cfm	644	580	565	549	515	478	440	373		
			Bhp	0.03	0.03	0.04	0.04	0.04	0.04	0.04	0.05		
			sones	5.4	5.4	5.4	5.4	5.4	5.5	5.5	5.6		
	D-1/15	1550	cfm	768	714	701	688	662	633	605	557	473	338
			Bhp	0.05	0.05	0.06	0.06	0.06	0.06	0.07	0.07	0.08	0.07
			sones	7.6	7.5	7.5	7.5	7.5	7.4	7.4	7.4	7.4	7.4
	1725	cfm	855	806	794	782	759	735	709	671	600	522	
		Bhp	0.06	0.07	0.07	0.08	0.08	0.08	0.09	0.09	0.10	0.11	
		sones	9.7	9.5	9.5	9.5	9.5	9.4	9.4	9.2	9.1	9.1	
095													
VG-1/4	E-1/30	1050	cfm	717	606	570	534	468	389	290			
			Bhp	0.03	0.03	0.04	0.04	0.04	0.04	0.04	0.03		
			sones	5.4	4.5	4.5	4.5	4.4	4.5	4.6			
	G-1/12	1300	cfm	888	802	780	754	695	640	586	493	184	
			Bhp	0.06	0.06	0.06	0.06	0.07	0.07	0.07	0.07	0.05	
			sones	7.6	6.8	6.7	6.6	6.5	6.4	6.4	6.4	6.8	
	D-1/8	1550	cfm	1059	987	969	950	912	863	814	745	623	474
			Bhp	0.10	0.10	0.10	0.11	0.11	0.11	0.11	0.12	0.12	0.11
			sones	9.6	9.4	9.3	9.2	9	8.8	8.7	8.7	8.7	8.7
	1725	cfm	1179	1114	1098	1081	1048	1013	969	903	800	688	
		Bhp	0.13	0.14	0.14	0.14	0.15	0.15	0.15	0.16	0.16	0.16	
		sones	11.4	11.4	11.4	11.5	11.4	11.2	11	10.9	11.3	11.3	

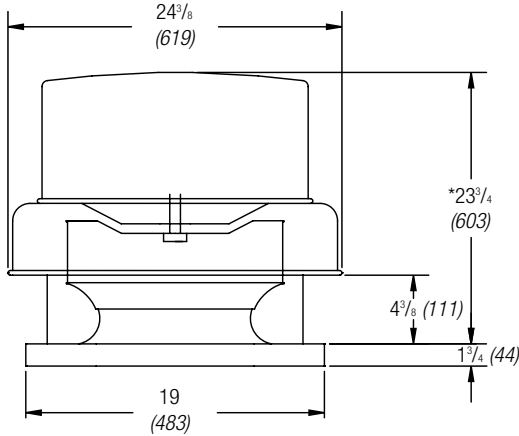
► VG denotes a direct drive brushless DC motor.

Performance certified is for installation Type A: Free inlet, Free outlet. Power rating (Bhp) does not include transmission losses. Performance ratings include the effects of a birdscreen. The sound ratings shown are loudness values in fan sones at 5 ft. (1.5 m) in a hemispherical free field calculated per AMCA Standard 301. Values shown are for installation Type A: Free inlet hemispherical sone levels.

Roof Exhaust Fans

Performance and Dimensional Data

XREB-071 - Belt Drive • XRED-097 - Direct Drive

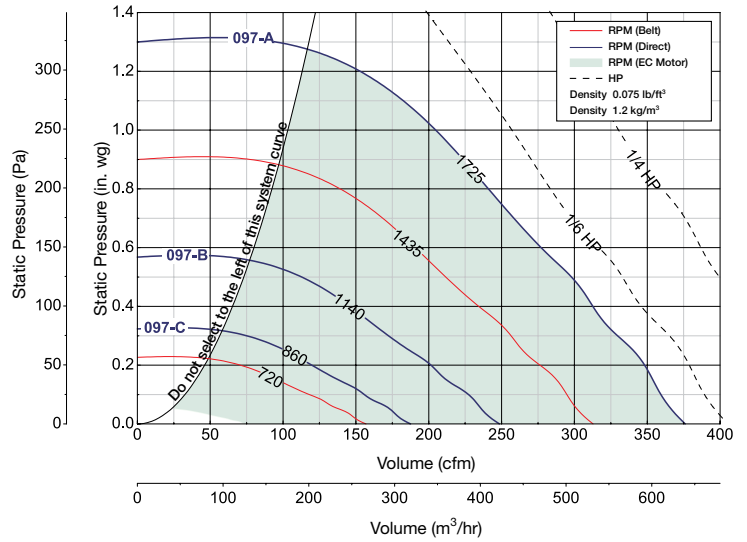


Damper Size = 12 x 12 (305 x 305)
 Roof Opening = 14 1/2 x 14 1/2 (368 x 368)
 Shroud Thickness = 0.051 (1.3)
 Motor Cover Thickness = 0.040 (1.0)
 Curb Cap Thickness = 0.064 (1.6)
 ^Approximate Unit Weight G/GB = 54/60 lbs. (24/27 kg)

All dimensions in inches (millimeters).

*May be greater depending on motor.

^Weight shown is largest cataloged Open Drip-Proof motor.



Direct Drive RPM

C-860 RPM B-1140 RPM A-1725 RPM VG-1725 RPM

Belt Drive	EC Motor	Direct Drive	Fan RPM	Static Pressure (in. wg)																								
				0	0.125	0.25	0.375	0.5	0.625	0.75	0.875	1	1.125															
071	097	C-1/8	720	cfm	157	107																						
				Bhp	0.01	0.01																						
			sones	1.8	2.0																							
			790	cfm	172	128	70																					
				Bhp	0.01	0.01	0.01																					
			sones	2.3	2.3	2.2																						
			860	cfm	187	148	101																					
				Bhp	0.02	0.02	0.02																					
			sones	2.8	2.7	2.7																						
			930	cfm	203	166	124																					
				Bhp	0.02	0.02	0.02																					
			sones	3.3	3.4	3.2																						
			1000	cfm	218	184	146	100																				
				Bhp	0.03	0.03	0.03	0.02																				
			sones	3.9	4.0	3.9	3.6																					
			1070	cfm	233	202	167	130																				
				Bhp	0.03	0.03	0.03	0.03																				
			sones	4.6	4.7	4.5	4.2																					
			1140	cfm	248	220	187	152	109																			
				Bhp	0.04	0.04	0.04	0.04	0.03																			
			sones	5.3	5.4	5.1	4.9	4.7																				
			1285	cfm	280	255	228	197	166	127																		
				Bhp	0.06	0.06	0.06	0.05	0.05	0.05																		
			sones	6.8	6.7	6.6	6.3	6.0	5.9																			
1435	cfm	313	292	265	240	212	185	151																				
	Bhp	0.08	0.08	0.08	0.08	0.08	0.07	0.07																				
sones	8.0	8.0	7.9	7.6	7.3	7.1	6.9																					
1580	cfm	344	324	302	281	255	230	205	177	140																		
	Bhp	0.10	0.10	0.10	0.10	0.10	0.10	0.10	0.10	0.09	0.09																	
sones	9.5	9.5	9.4	9.1	8.8	8.5	8.3	8.1	7.9																			
1725	cfm	376	356	339	316	297	273	250	227	205	171																	
	Bhp	0.13	0.13	0.13	0.13	0.13	0.13	0.13	0.13	0.13	0.12	0.12																
sones	11.3	11.2	11.2	10.8	10.5	10.2	9.9	9.7	9.5	9.3																		

MAXIMUM Bhp AT A GIVEN RPM = (RPM/3371)³
 MAXIMUM RPM - GB-071 = 1710, G-097 = 1725
 TIP SPEED (ft/min) = RPM x 2.929
 MAXIMUM MOTOR FRAME SIZE = 56

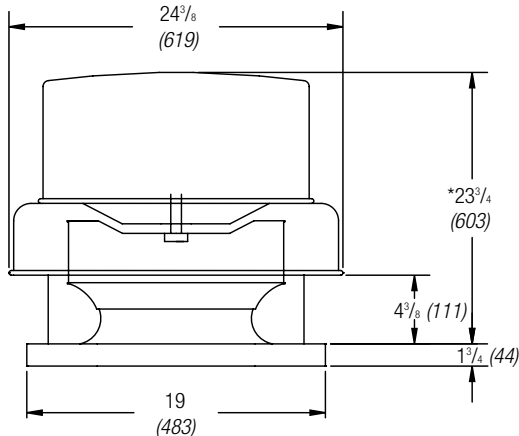
► VG denotes a direct drive brushless DC motor.

Performance certified is for installation Type A: Free inlet, Free outlet. Power rating (Bhp) does not include transmission losses. Performance ratings include the effects of a birdscreen. The sound ratings shown are loudness values in fan sones at 5 ft. (1.5 m) in a hemispherical free field calculated per AMCA Standard 301. Values shown are for installation Type A: Free inlet hemispherical sone levels.

Roof Exhaust Fans

Performance and Dimensional Data

XREB-081 - Belt Drive • XRED-098 Direct Drive



Damper Size = 12 x 12 (305 x 305)

Roof Opening = 14 1/2 x 14 1/2 (368 x 368)

Shroud Thickness = 0.051 (1.3)

Motor Cover Thickness = 0.040 (1.0)

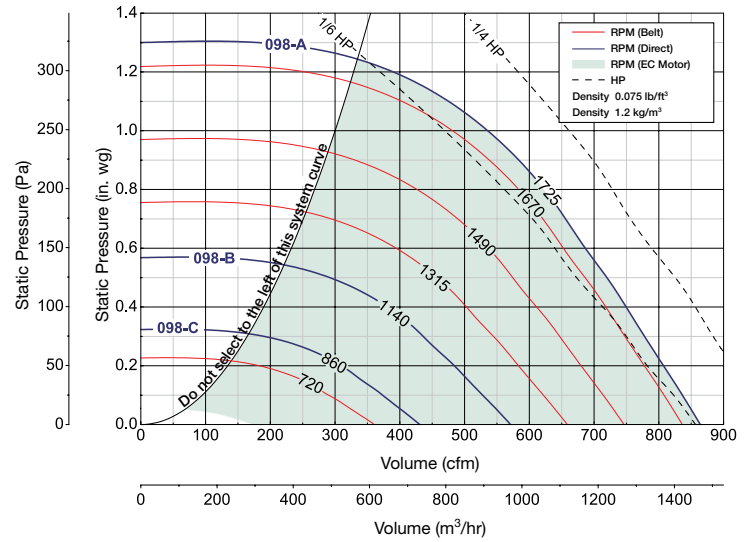
Curb Cap Thickness = 0.064 (1.6)

^Approximate Unit Weight G/GB = 54/60 lbs. (24/27 kg)

All dimensions in inches (millimeters).

*May be greater depending on motor.

^Weight shown is largest cataloged Open Drip-Proof motor.



Direct Drive RPM

C-860 RPM B-1140 RPM A-1725 RPM VG-1725 RPM

Belt Drive	EC Motor	Direct Drive	Fan RPM	Static Pressure (in. wg)																		
				0	0.125	0.25	0.375	0.5	0.625	0.75	0.875	1	1.125									
081	098	1/6	VG-1/4	720	cfm	361	272															
					Bhp	0.01	0.01															
					sones	3.0	2.7															
					cfm	396	315	181														
					Bhp	0.02	0.02	0.02														
					sones	3.5	3.2	3														
				C-1/8	860	cfm	431	358	261													
						Bhp	0.02	0.02	0.02													
						sones	4.0	3.7	3.4													
						cfm	466	399	323													
						Bhp	0.03	0.03	0.03													
						sones	4.6	4.4	4.0													
				B-1/6	930	cfm	501	439	372	259												
						Bhp	0.03	0.04	0.04	0.04												
						sones	5.3	5.1	4.7	4.4												
						cfm	536	478	416	338												
						Bhp	0.04	0.04	0.05	0.05												
						sones	5.9	5.8	5.4	5.0												
B-1/6	1000	cfm	571	517	460	396	283															
		Bhp	0.05	0.05	0.06	0.06	0.05															
		sones	6.6	6.5	6.1	5.7	5.5															
		cfm	659	612	564	513	456	362														
		Bhp	0.08	0.08	0.08	0.09	0.09	0.08														
		sones	8.3	8.1	7.8	7.4	7.0	6.9														
B-1/6	1070	cfm	746	706	663	621	574	525	452	353												
		Bhp	0.11	0.12	0.12	0.12	0.12	0.12	0.12	0.12	0.11											
		sones	10.1	9.9	9.8	9.3	8.9	8.6	8.5	8.4												
		cfm	836	800	763	725	686	645	603	550	466	377										
		Bhp	0.16	0.16	0.16	0.17	0.17	0.17	0.17	0.18	0.17	0.16										
		sones	12.0	11.9	11.7	11.4	11.0	10.7	10.4	10.1	10.0	9.9										
B-1/6	1140	cfm	864	829	793	756	719	679	640	592	527	441										
		Bhp	0.17	0.18	0.18	0.18	0.19	0.19	0.19	0.19	0.19	0.18										
		sones	12.7	12.5	12.3	12.1	11.7	11.4	11.1	10.8	10.6	10.5										
		cfm	864	829	793	756	719	679	640	592	527	441										
		Bhp	0.17	0.18	0.18	0.18	0.19	0.19	0.19	0.19	0.19	0.18										
		sones	12.7	12.5	12.3	12.1	11.7	11.4	11.1	10.8	10.6	10.5										
1/4	A-1/4	1725	cfm	864	829	793	756	719	679	640	592	527	441									
			Bhp	0.17	0.18	0.18	0.18	0.19	0.19	0.19	0.19	0.19	0.18									
			sones	12.7	12.5	12.3	12.1	11.7	11.4	11.1	10.8	10.6	10.5									
			cfm	864	829	793	756	719	679	640	592	527	441									
			Bhp	0.17	0.18	0.18	0.18	0.19	0.19	0.19	0.19	0.19	0.18									
			sones	12.7	12.5	12.3	12.1	11.7	11.4	11.1	10.8	10.6	10.5									

MAXIMUM Bhp AT A GIVEN RPM = (RPM/2985)³
 MAXIMUM RPM - GB-081 = 1710, G-098 = 1725
 TIP SPEED (ft/min) = RPM x 2.929
 MAXIMUM MOTOR FRAME SIZE = 56

VG denotes a direct drive brushless DC motor.

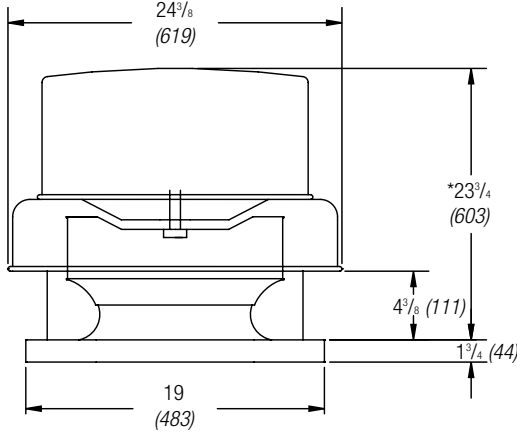
Performance certified is for installation Type A: Free inlet, Free outlet. Power rating (Bhp) does not include transmission losses. Performance ratings include the effects of a birdscreen. The sound ratings shown are loudness values in fan sones at 5 ft. (1.5 m) in a hemispherical free field calculated per AMCA Standard 301. Values shown are for installation Type A: Free inlet hemispherical sone levels.



Roof Exhaust Fans

Performance and Dimensional Data

XREB-091 - Belt Drive • XRED-099 - Direct Drive

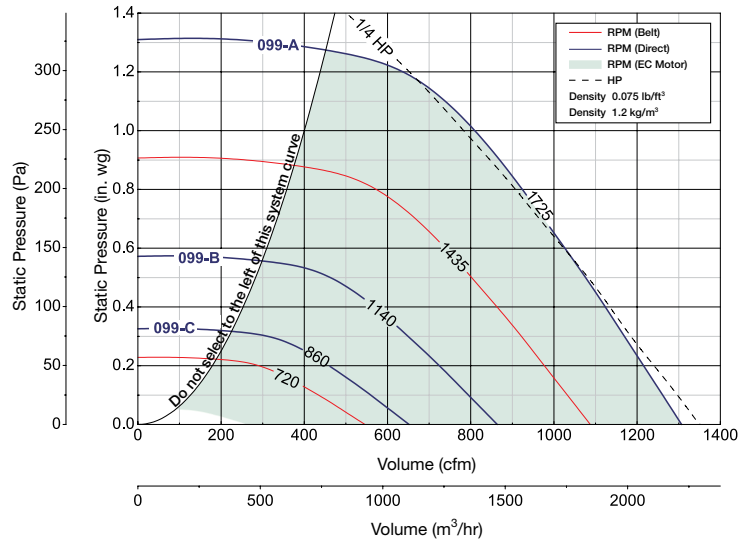


Damper Size = 12 x 12 (305 x 305)
 Roof Opening = 14 1/2 x 14 1/2 (368 x 368)
 Shroud Thickness = 0.051 (1.3)
 Motor Cover Thickness = 0.040 (1.0)
 Curb Cap Thickness = 0.064 (1.6)
 ^Approximate Unit Weight G/GB = 54/61 lbs. (24/28 kg)

All dimensions in inches (millimeters).

*May be greater depending on motor.

^Weight shown is largest cataloged Open Drip-Proof motor.



Direct Drive RPM

C-860 RPM B-1140 RPM A-1725 RPM VG-1725 RPM

Belt Drive	EC Motor	Direct Drive	Fan RPM	Static Pressure (in. wg)																									
				0	0.125	0.25	0.375	0.5	0.625	0.75	0.875	1	1.125																
091	099	1/4	VG-1/4	C-1/8	720	cfm	546	403																					
						Bhp	0.02	0.02																					
					sones	3.6	3.5																						
					790	cfm	599	471	291																				
						Bhp	0.02	0.02	0.02																				
					sones	4.2	4.1	3.9																					
				860	cfm	652	536	400																					
					Bhp	0.03	0.03	0.03																					
				sones	4.9	4.7	4.5																						
				930	cfm	705	598	481																					
					Bhp	0.04	0.04	0.04																					
				sones	5.6	5.5	5.1																						
				1000	cfm	758	659	552	414																				
					Bhp	0.04	0.05	0.05	0.05																				
				sones	6.4	6.2	5.8	5.6																					
				1070	cfm	811	718	621	512																				
					Bhp	0.05	0.06	0.06	0.06																				
				sones	7.3	7.1	6.7	6.3																					
				B-1/6	1140	cfm	864	777	687	590	457																		
						Bhp	0.07	0.07	0.07	0.07	0.07																		
				sones	8.3	8.1	7.6	7.1	6.8																				
				1285	cfm	974	897	819	736	647	526																		
					Bhp	0.09	0.10	0.10	0.10	0.11	0.10																		
				sones	9.5	9.4	9.0	8.5	8.2	7.9																			
1435	cfm	1087	1018	949	877	801	721	615	404																				
	Bhp	0.13	0.14	0.14	0.14	0.15	0.15	0.15	0.12																				
sones	10.7	10.6	10.4	10.0	9.6	9.3	9.0	8.4																					
1580	cfm	1197	1135	1072	1009	941	872	799	707	583																			
	Bhp	0.17	0.18	0.19	0.19	0.19	0.20	0.20	0.20	0.19																			
sones	12.1	12.0	11.9	11.5	11.2	10.9	10.6	10.3	9.8																				
A-1/4	1725	cfm	1307	1250	1192	1135	1076	1013	949	883	806	707																	
		Bhp	0.23	0.23	0.24	0.24	0.25	0.25	0.26	0.26	0.26	0.25																	
sones	13.6	13.5	13.4	13.2	12.9	12.6	12.3	12.0	11.8	11.5																			

MAXIMUM Bhp AT A GIVEN RPM = (RPM/2703)³
 MAXIMUM RPM - GB-091 = 1710, G-099 = 1725
 TIP SPEED (ft/min) = RPM x 2.929
 MAXIMUM MOTOR FRAME SIZE = 56

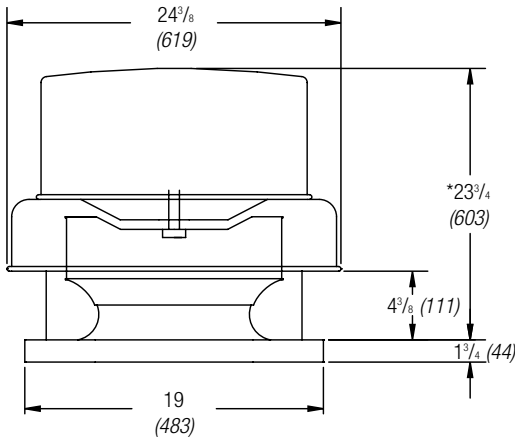
► VG denotes a direct drive brushless DC motor.

Performance certified is for installation Type A: Free inlet, Free outlet. Power rating (Bhp) does not include transmission losses. Performance ratings include the effects of a birdscreen. The sound ratings shown are loudness values in fan sones at 5 ft. (1.5 m) in a hemispherical free field calculated per AMCA Standard 301. Values shown are for installation Type A: Free inlet hemispherical sone levels.

Roof Exhaust Fans

Performance and Dimensional Data

XREB-101 - Belt Drive • XRED-103 - Direct Drive



Damper Size = 12 x 12 (305 x 305)

Roof Opening = 14 1/2 x 14 1/2 (368 x 368)

Shroud Thickness = 0.051 (1.3)

Motor Cover Thickness = 0.040 (1.0)

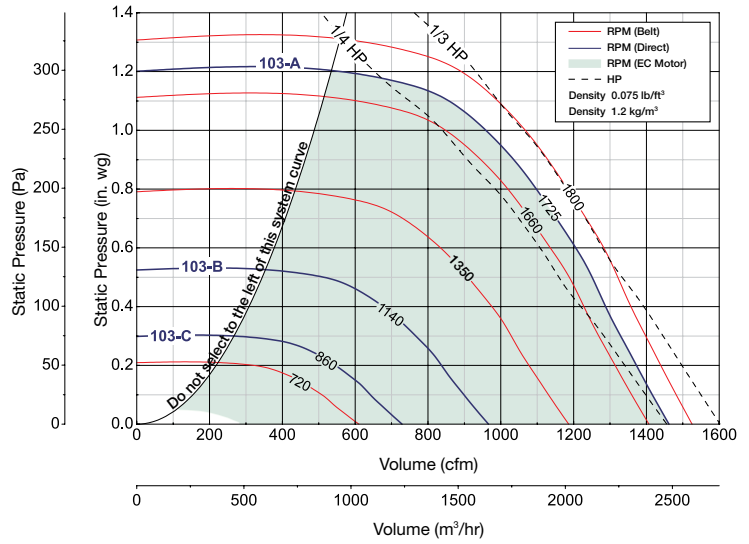
Curb Cap Thickness = 0.064 (1.6)

^Approximate Unit Weight G/GB = 54/61 lbs. (24/28 kg)

All dimensions in inches (millimeters).

*May be greater depending on motor.

^Weight shown is largest cataloged Open Drip-Proof motor.



Direct Drive RPM

C-860 RPM B-1140 RPM A-1725 RPM VG-1725 RPM

Belt Drive	EC Motor	Direct Drive	Fan RPM	Static Pressure (in. wg)																									
				0	0.125	0.25	0.375	0.5	0.625	0.75	0.875	1	1.25																
101	103		720	cfm	610	477																							
				Bhp	0.02	0.02																							
				sones	3.8	2.7																							
				C-1/8	860	cfm	729	623	473																				
						Bhp	0.03	0.04	0.04																				
						sones	4.6	3.7	2.9																				
			B-1/6	1000	cfm	848	753	654	481																				
					Bhp	0.05	0.05	0.06	0.05																				
					sones	5.5	4.8	4.4	3.4																				
			B-1/6	1140	cfm	966	883	805	702	507																			
					Bhp	0.07	0.08	0.09	0.09	0.08																			
					sones	6.6	6.0	5.7	5.2	4.1																			
			VG-1/4	1245	cfm	1055	978	908	824	715																			
					Bhp	0.10	0.10	0.11	0.11	0.11																			
					sones	7.5	7.0	6.7	6.3	5.7																			
			VG-1/4	1350	cfm	1144	1073	1006	938	851	731																		
					Bhp	0.12	0.13	0.13	0.14	0.14	0.14																		
					sones	8.5	8.1	7.8	7.7	7.2	6.7																		
			VG-1/4	1450	cfm	1229	1162	1099	1041	965	878	750																	
					Bhp	0.15	0.16	0.16	0.17	0.17	0.17	0.17																	
					sones	9.3	9.0	8.7	8.4	8.0	7.5	6.9																	
			VG-1/4	1555	cfm	1318	1255	1196	1140	1079	1005	917	791																
					Bhp	0.19	0.19	0.20	0.21	0.22	0.22	0.22	0.22	0.21															
					sones	10.2	10.0	9.7	9.4	8.9	8.4	8.0	7.5																
VG-1/4	1660	cfm	1407	1348	1292	1238	1187	1122	1050	963	841																		
		Bhp	0.23	0.23	0.24	0.25	0.26	0.26	0.26	0.26	0.26	0.25																	
		sones	11.4	11.1	10.7	10.4	10.1	9.6	9.1	8.7	8.1																		
1/3	A-1/4	1725	cfm	1462	1405	1351	1298	1250	1193	1126	1052	955																	
			Bhp	0.25	0.26	0.27	0.28	0.29	0.29	0.29	0.29	0.29	0.29																
			sones	12.2	11.9	11.5	11.2	10.9	10.3	10.0	9.5	9.0																	
1/3		1800	cfm	1525	1471	1419	1368	1321	1270	1209	1142	1065	793																
			Bhp	0.29	0.30	0.30	0.31	0.33	0.33	0.33	0.33	0.33	0.33	0.33															
			sones	13.3	12.8	12.5	12.4	12.2	11.4	10.9	10.6	10.2	9.3																

MAXIMUM Bhp AT A GIVEN RPM = (RPM/2593)³
 MAXIMUM RPM = 1800
 TIP SPEED (ft/min) = RPM x 2.913
 MAXIMUM MOTOR FRAME SIZE = 56

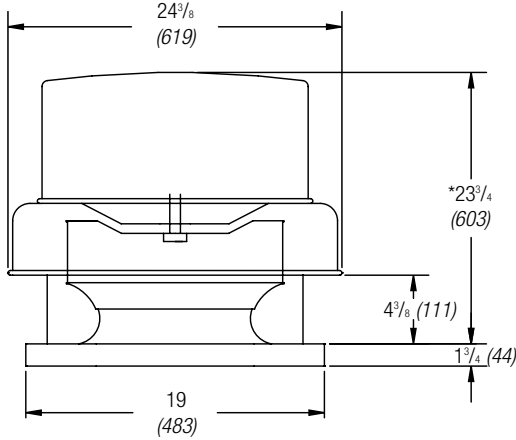
► VG denotes a direct drive brushless DC motor.

Performance certified is for installation Type A: Free inlet, Free outlet. Power rating (Bhp) does not include transmission losses. Performance ratings include the effects of a birdscreen. The sound ratings shown are loudness values in fan sones at 5 ft. (1.5 m) in a hemispherical free field calculated per AMCA Standard 301. Values shown are for installation Type A: Free inlet hemispherical sone levels.

Roof Exhaust Fans

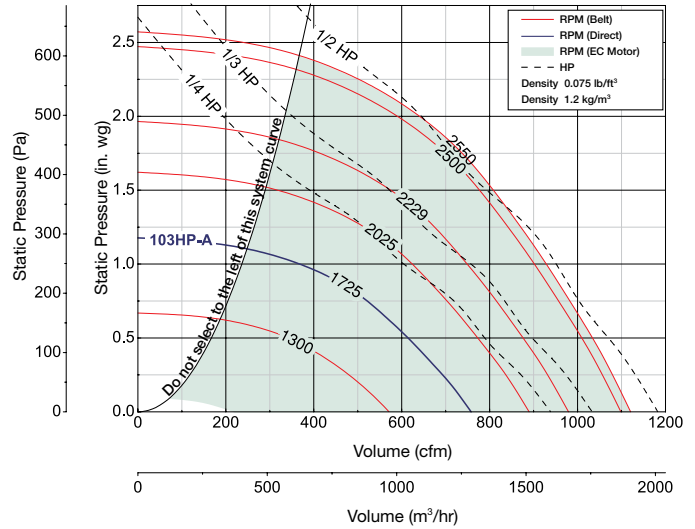
Performance and Dimensional Data

XREB-101HP - Belt Drive • XRED-103HP - Direct Drive



- Damper Size = 12 x 12 (305 x 305)
- Roof Opening = 14 1/2 x 14 1/2 (368 x 368)
- Shroud Thickness = 0.051 (1.3)
- Motor Cover Thickness = 0.040 (1.0)
- Curb Cap Thickness = 0.064 (1.6)
- ^Approximate Unit Weight G/GB = 58/63 lbs. (26/29 kg)

All dimensions in inches (millimeters).
 *May be greater depending on motor.
 ^Weight shown is largest cataloged Open Drip-Proof motor.



Direct Drive RPM	
A-1725 RPM	VG-2550 RPM

Belt Drive	EC Motor	Direct Drive	Fan RPM	Static Pressure (in. wg)																					
				0	0.25	0.5	0.75	1	1.25	1.5	1.75	2	2.25												
101HP	103HP		1300	cfm	571	477	342																		
				Bhp	0.06	0.06	0.07																		
				sones	6.6	5.7	5.3																		
				cfm	635	553	449	243																	
				Bhp	0.08	0.09	0.09	0.08																	
				sones	8.4	7.5	7	6.3																	
			1/4	VG-1/2	A-1/4	1725	cfm	699	626	537	417														
							Bhp	0.10	0.11	0.12	0.12														
							sones	10.4	9.5	9.1	8.3														
						cfm	758	692	613	521	364														
						Bhp	0.13	0.14	0.15	0.16	0.15														
						sones	11.4	10.7	10.6	10.1	10														
1/3	VG-1/2		1880	cfm	826	767	697	618	518	337															
				Bhp	0.17	0.18	0.19	0.20	0.20	0.18															
				sones	12.7	12.2	11.9	12	11.4	11.9															
				cfm	890	836	772	702	622	515	313														
				Bhp	0.21	0.23	0.24	0.24	0.26	0.25	0.22														
				sones	14.2	13.6	13.3	13.2	12.6	12	11.4														
			1/2	VG-1/2		2137	cfm	939	889	830	765	693	607	474											
							Bhp	0.25	0.26	0.28	0.28	0.29	0.30	0.28											
							sones	15.4	14.8	14.4	14.2	13.4	13.1	12.1											
						cfm	979	931	875	814	748	674	574	406											
						Bhp	0.28	0.30	0.31	0.32	0.33	0.35	0.33	0.31											
						sones	15.8	15.4	14.8	14.5	14.1	13.7	13.2	12.0											
1/2	VG-1/2		2336	cfm	1026	981	928	871	809	742	661	543	358												
				Bhp	0.33	0.34	0.36	0.36	0.37	0.39	0.40	0.37	0.34												
				sones	16.4	16	15.4	14.9	14.7	14	14.1	13.5	13.6												
			cfm	1098	1056	1008	956	901	840	775	695	583	416												
			Bhp	0.40	0.42	0.43	0.45	0.45	0.46	0.48	0.48	0.46	0.42												
			sones	17.8	17.4	16.9	16.7	15.8	15.5	14.8	15.2	15.7	16.6												
1/2	VG-1/2		2550	cfm	1120	1078	1032	982	928	869	807	735	639	497											
				Bhp	0.43	0.44	0.46	0.47	0.47	0.49	0.51	0.52	0.50	0.47											
				sones	18.2	17.9	17.4	17.2	16.3	16.1	15.1	15.6	16.2	17.2											

MAXIMUM Bhp AT A GIVEN RPM = (RPM/3165)³
 MAXIMUM RPM = 2550
 TIP SPEED (ft/min) = RPM x 2.978
 MAXIMUM MOTOR FRAME SIZE = 56

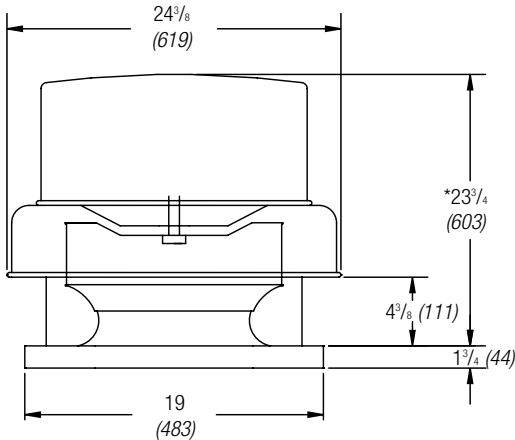
► VG denotes a direct drive brushless DC motor.

Performance certified is for installation Type A: Free inlet, Free outlet. Power rating (Bhp) does not include transmission losses. Performance ratings include the effects of a birdscreen. The sound ratings shown are loudness values in fan sones at 5 ft. (1.5 m) in a hemispherical free field calculated per AMCA Standard 301. Values shown are for installation Type A: Free inlet hemispherical sone levels.

Roof Exhaust Fans

Performance and Dimensional Data

XREB-121 - Belt Drive • XRED-123 - Direct Drive



Damper Size = 12 x 12 (305 x 305)

Roof Opening = 14 1/2 x 14 1/2 (368 x 368)

Shroud Thickness = 0.051 (1.3)

Motor Cover Thickness = 0.040 (1.0)

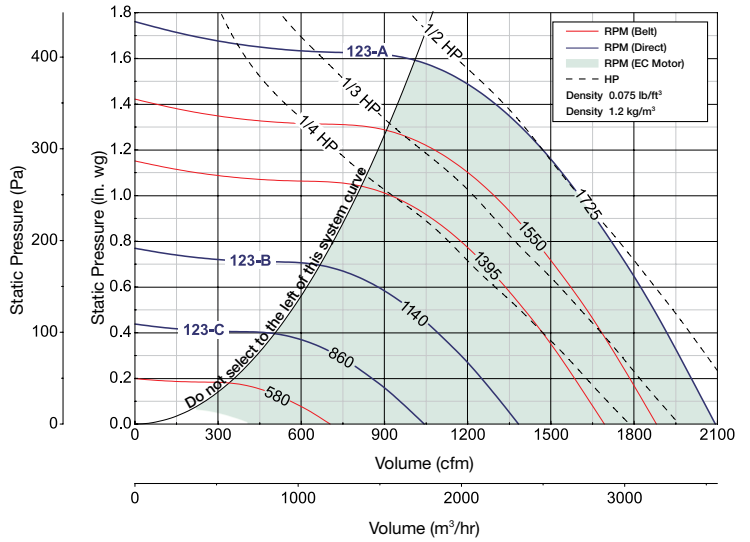
Curb Cap Thickness = 0.064 (1.6)

^Approximate Unit Weight G/GB = 58/66 lbs. (26/30 kg)

All dimensions in inches (millimeters).

*May be greater depending on motor.

^Weight shown is largest cataloged Open Drip-Proof motor.



Direct Drive RPM

C-860 RPM B-1140 RPM A-1725 RPM VG-1725 RPM

Belt Drive	EC Motor	Direct Drive	Fan RPM	Static Pressure (in. wg)																						
				0	0.125	0.25	0.375	0.5	0.625	0.75	1	1.25	1.5													
121	123	VG-1/2	1/4	580	CFM	704	515																			
					BHP	0.02	0.02																			
				Sones	3.2	3.3																				
				720	CFM	873	735	523																		
					BHP	0.03	0.04	0.04																		
				Sones	4.2	4.3	4.1																			
			1/3	C-1/8	860	CFM	1043	932	796	580																
						BHP	0.05	0.06	0.06	0.06																
				Sones	5.4	5.5	5.2	5.2																		
				1000	CFM	1213	1119	1013	883	694																
					BHP	0.08	0.09	0.09	0.10	0.09																
				Sones	6.7	6.8	6.7	6.4	6.4																	
B-1/6	1140	CFM	1383	1300	1213	1112	993	831																		
		BHP	0.12	0.13	0.14	0.14	0.14	0.14	0.14																	
Sones	8.4	8.4	8.4	8.1	7.9	7.8																				
1/2	1265	CFM	1535	1460	1384	1299	1204	1093	950																	
		BHP	0.16	0.17	0.18	0.19	0.19	0.20	0.19																	
	Sones	10.2	10.1	10.1	9.9	9.7	9.6	9.4																		
	1395	CFM	1692	1625	1557	1484	1404	1315	1214	907																
		BHP	0.21	0.23	0.24	0.25	0.26	0.26	0.26	0.24																
	Sones	12.5	12.4	12.3	12.2	12.0	11.7	11.5	11.3																	
1475	CFM	1789	1726	1661	1594	1521	1441	1356	1132																	
	BHP	0.25	0.27	0.28	0.29	0.30	0.31	0.31	0.31																	
Sones	13.5	13.4	13.3	13.2	13.0	12.7	12.4	12.0																		
1550	CFM	1880	1820	1759	1696	1629	1555	1475	1289	974																
	BHP	0.29	0.31	0.32	0.33	0.34	0.35	0.36	0.36	0.33																
Sones	14.6	14.5	14.3	14.2	14.0	13.8	13.5	12.9	12.4																	
1635	CFM	1983	1926	1868	1810	1747	1680	1608	1446	1231																
	BHP	0.34	0.36	0.37	0.39	0.40	0.41	0.42	0.43	0.41																
Sones	15.9	15.8	15.6	15.4	15.3	15.0	14.8	13.9	13.4																	
A-1/2	1725	CFM	2093	2038	1984	1928	1871	1810	1743	1600	1426	1180														
		BHP	0.40	0.42	0.44	0.45	0.46	0.47	0.48	0.50	0.50	0.47														
Sones	17.4	17.2	17.0	16.8	16.7	16.4	16.2	15.5	14.9	14.0																

MAXIMUM Bhp AT A GIVEN RPM = (RPM/2170)³
 MAXIMUM RPM = 1725
 TIP SPEED (ft/min) = RPM x 3.420
 MAXIMUM MOTOR FRAME SIZE = 56

► VG denotes a direct drive brushless DC motor.

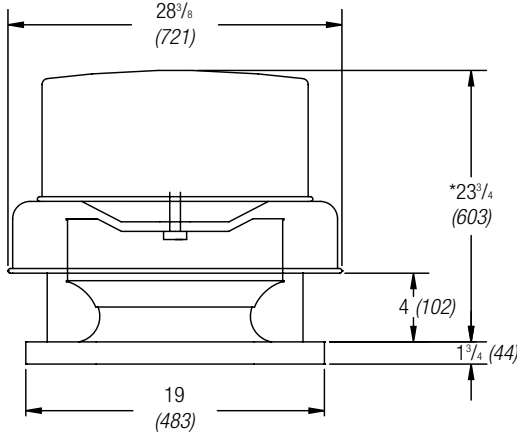
Performance certified is for installation Type A: Free inlet, Free outlet. Power rating (Bhp) does not include transmission losses. Performance ratings include the effects of a birdscreen. The sound ratings shown are loudness values in fan sones at 5 ft. (1.5 m) in a hemispherical free field calculated per AMCA Standard 301. Values shown are for installation Type A: Free inlet hemispherical sone levels.



Roof Exhaust Fans

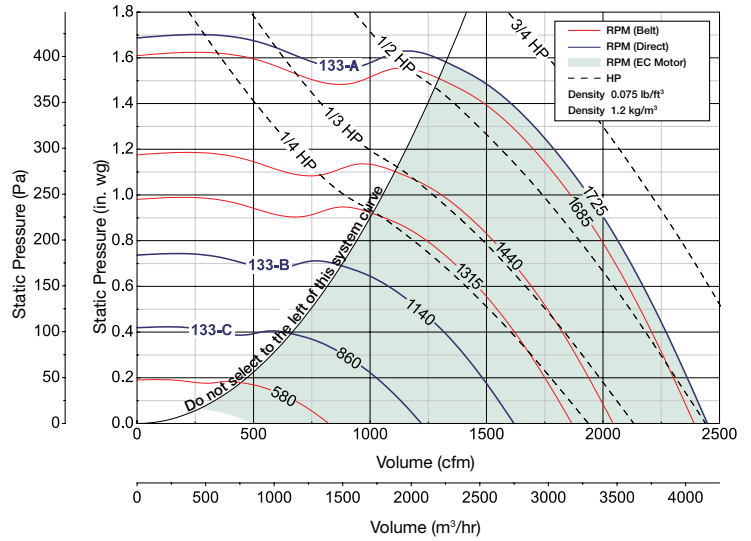
Performance and Dimensional Data

XREB-131 - Belt Drive • XRED-133 - Direct Drive



- Damper Size = 12 x 12 (305 x 305)
- Roof Opening = 14 1/2 x 14 1/2 (368 x 368)
- Shroud Thickness = 0.051 (1.3)
- Motor Cover Thickness = 0.040 (1.0)
- Curb Cap Thickness = 0.064 (1.6)
- ^Approximate Unit Weight G/GB = 62/67 lbs. (28/30 kg)

All dimensions in inches (millimeters).
 *May be greater depending on motor.
 ^Weight shown is largest cataloged Open Drip-Proof motor.



Direct Drive RPM

C-860 RPM B-1140 RPM A-1725 RPM VG-1725 RPM

Belt Drive	EC Motor	Direct Drive	Fan RPM	Static Pressure (in. wg)																				
				0	0.125	0.25	0.375	0.5	0.625	0.75	1	1.25	1.5											
1/4	VG-3/4	C-1/8	580	cfm	823	626																		
				Bhp	0.02	0.02																		
			sones	4.5	4.5																			
			cfm	1022	879	650																		
			Bhp	0.04	0.04	0.04																		
			sones	5.4	5.4	5.2																		
		B-1/6	860	cfm	1221	1106	962	727																
				Bhp	0.06	0.07	0.07	0.07																
			sones	6.6	6.5	6.3	6.0																	
			cfm	1419	1323	1213	1075	867																
			Bhp	0.10	0.11	0.11	0.12	0.11																
			sones	8.1	8.0	7.7	7.4	7.0																
1/3	1140	cfm	1618	1535	1444	1340	1211	1031																
		Bhp	0.15	0.16	0.16	0.17	0.17	0.17																
	sones	10.0	9.8	9.6	9.2	8.8	8.5																	
	cfm	1774	1698	1617	1528	1426	1133																	
	Bhp	0.19	0.2	0.21	0.22	0.23	0.22																	
	sones	12.0	11.7	11.3	11.0	10.5	9.7																	
1/2	1315	cfm	1866	1794	1718	1637	1545	1435	1305															
		Bhp	0.22	0.23	0.24	0.25	0.26	0.26	0.26															
	sones	13.2	12.8	12.5	12.1	11.7	11.2	10.9																
	cfm	2044	1978	1911	1838	1759	1674	1571	1299															
	Bhp	0.29	0.31	0.32	0.33	0.34	0.34	0.35	0.34															
	sones	15.0	15.0	15.1	15.1	14.5	13.9	13.4	12.5															
3/4	1440	cfm	2271	2212	2152	2088	2023	1873	1783	1686	1425													
		Bhp	0.40	0.42	0.43	0.44	0.45	0.47	0.47	0.48	0.47													
	sones	16.2	16.0	15.8	15.6	15.3	14.6	14.2	13.9	13.2														
	cfm	2391	2335	2279	2219	2158	2020	1946	1857	1654	1312													
	Bhp	0.47	0.48	0.50	0.51	0.52	0.54	0.55	0.56	0.56	0.52													
	sones	16.9	16.6	16.3	16.0	15.7	15.1	14.8	14.5	13.9	13.5													
A-1/2	1725	cfm	2448	2393	2338	2281	2220	2159	2089	1935	1474													
		Bhp	0.50	0.52	0.53	0.55	0.56	0.57	0.58	0.59	0.60	0.58												
sones	17.4	17.0	16.7	16.3	15.9	15.6	15.4	14.9	14.3	13.8														

MAXIMUM Bhp AT A GIVEN RPM = (RPM/2047)³
 MAXIMUM RPM - GB-131 = 1725, G-133 = 1725
 TIP SPEED (ft/min) = RPM x 3.436
 MAXIMUM MOTOR FRAME SIZE = 56

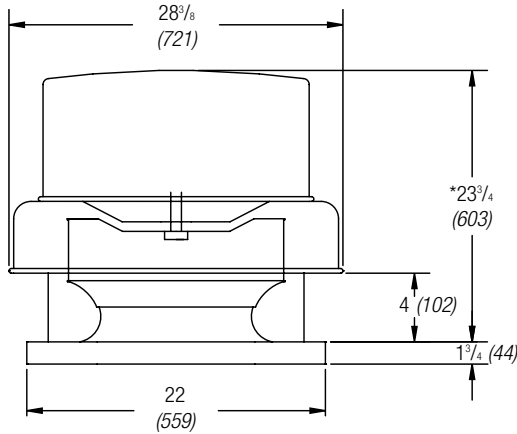
► VG denotes a direct drive brushless DC motor.

Performance certified is for installation Type A: Free inlet, Free outlet. Power rating (Bhp) does not include transmission losses. Performance ratings include the effects of a birdscreen. The sound ratings shown are loudness values in fan sones at 5 ft. (1.5 m) in a hemispherical free field calculated per AMCA Standard 301. Values shown are for installation Type A: Free inlet hemispherical sone levels.

Roof Exhaust Fans

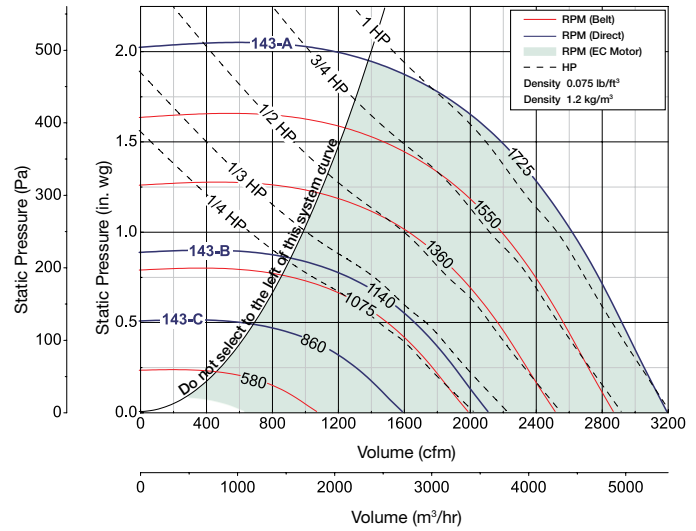
Performance and Dimensional Data

XREB-141 - Belt Drive • XRED-143 - Direct Drive



Damper Size = 16 x 16 (406 x 406)
 Roof Opening = 18 1/2 x 18 1/2 (470 x 470)
 Shroud Thickness = 0.051 (1.3)
 Motor Cover Thickness = 0.040 (1.0)
 Curb Cap Thickness = 0.064 (1.6)
 ^Approximate Unit Weight G/GB = 77/86 lbs. (35/39 kg)

All dimensions in inches (millimeters).
 *May be greater depending on motor.
 ^Weight shown is largest cataloged Open Drip-Proof motor.



Direct Drive RPM

C-860 RPM B-1140 RPM A-1725 RPM VG-1550 RPM

Belt Drive	EC Motor	Direct Drive	Fan RPM	Static Pressure (in. wg)																				
				0	0.125	0.25	0.375	0.5	0.75	1	1.25	1.5	1.75											
1/4	VG-3/4	C-1/8	580	cfm	1076	855																		
				Bhp	0.04	0.04																		
			sones	4.7	4.7																			
			cfm	1336	1169	938																		
			Bhp	0.07	0.08	0.08																		
			sones	5.8	5.9	5.2																		
		1/3	B-1/3	860	cfm	1595	1457	1304	1085															
					Bhp	0.12	0.13	0.13	0.13															
				sones	7.1	7.0	6.6	6.1																
				cfm	1762	1636	1506	1344	1085															
				Bhp	0.16	0.17	0.18	0.18	0.17															
				sones	8.1	8.0	7.6	7.1	6.5															
1/2	B-1/3	950	cfm	1994	1882	1771	1647	1490																
			Bhp	0.24	0.25	0.26	0.26	0.26																
		sones	10.0	9.9	9.4	8.9	8.4																	
		cfm	2115	2008	1905	1792	1660	1233																
		Bhp	0.28	0.30	0.31	0.31	0.31	0.29																
		sones	11.0	10.9	10.4	9.9	9.4	8.2																
3/4	A-1	1140	cfm	2347	2250	2158	2062	1955	1677	1048														
			Bhp	0.39	0.40	0.41	0.42	0.42	0.42	0.35														
		sones	12.9	12.7	12.3	11.9	11.4	10.4	8.8															
		cfm	2523	2433	2347	2259	2166	1943	1602															
		Bhp	0.48	0.50	0.51	0.52	0.52	0.53	0.51															
		sones	14.6	14.3	13.9	13.5	13.1	12.2	11.0															
1	A-1	1265	cfm	2690	2606	2524	2443	2358	2165	1905	1501													
			Bhp	0.58	0.60	0.61	0.63	0.63	0.64	0.63	0.59													
		sones	16.2	15.9	15.6	15.2	14.7	13.8	12.9	11.7														
		cfm	2875	2797	2719	2644	2566	2396	2191	1910	1297													
		Bhp	0.71	0.73	0.74	0.76	0.77	0.78	0.79	0.76	0.65													
		sones	17.7	18.0	17.4	17.2	16.8	15.0	14.8	14.8	14.9													
1	A-1	1725	cfm	3200	3129	3059	2991	2923	2782	2619	2427	2184	1815											
			Bhp	0.98	1.00	1.02	1.03	1.05	1.07	1.07	1.09	1.06	1.00											
				sones	20	21	20	19.9	19.6	18.5	17.2	17.0	16.8	16.7										

MAXIMUM Bhp AT A GIVEN RPM = (RPM/1676)³
 MAXIMUM RPM - GB-141 = 1725, G-143 = 1725
 TIP SPEED (ft/min) = RPM x 3.829
 MAXIMUM MOTOR FRAME SIZE = 145T

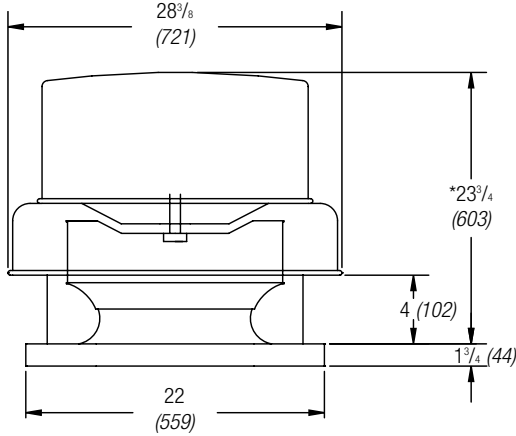
➤ VG denotes a direct drive brushless DC motor.

Performance certified is for installation Type A: Free inlet, Free outlet. Power rating (Bhp) does not include transmission losses. Performance ratings include the effects of a birdscreen. The sound ratings shown are loudness values in fan sones at 5 ft. (1.5 m) in a hemispherical free field calculated per AMCA Standard 301. Values shown are for installation Type A: Free inlet hemispherical sone levels.

Roof Exhaust Fans

Performance and Dimensional Data

XREB-141HP - Belt Drive • XRED-143HP - Direct Drive



Damper Size = 16 x 16 (406 x 406)

Roof Opening = 18 1/2 x 18 1/2 (470 x 470)

Shroud Thickness = 0.051 (1.3)

Motor Cover Thickness = 0.040 (1.0)

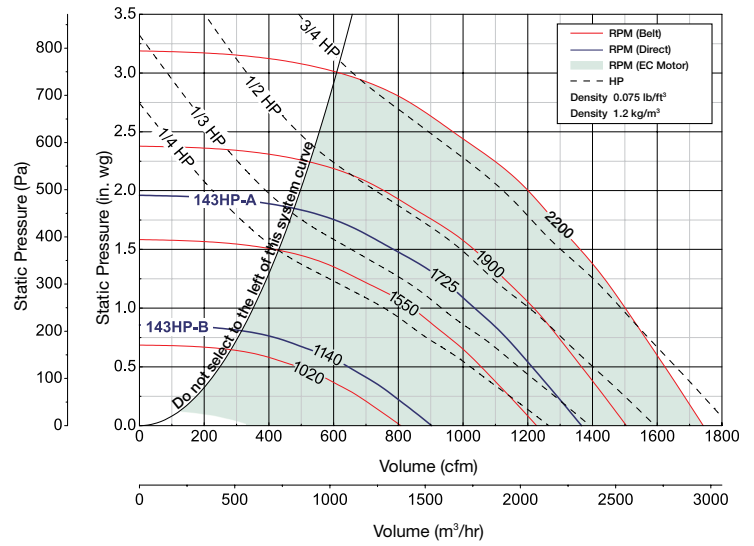
Curb Cap Thickness = 0.064 (1.6)

^Approximate Unit Weight G/GB = 75/83 lbs. (34/38 kg)

All dimensions in inches (millimeters).

*May be greater depending on motor.

^Weight shown is largest cataloged Open Drip-Proof motor.



Direct Drive RPM

B-1140 RPM	A-1725 RPM	VG-2200 RPM
------------	------------	-------------

Belt Drive	EC Motor	Direct Drive	Fan RPM	Static Pressure (in. wg)																			
				.5	.75	1	1.25	1.5	1.75	2	2.25	2.5	2.75										
141HP																							
143HP																							
1/4	VG-3/4	B-1/4	1020	cfm	488																		
				Bhp	0.08																		
				sones	6.3																		
				1140	cfm	645	413																
					Bhp	0.11	0.11																
					sones	7.7	7.6																
				1320	cfm	837	700	486															
					Bhp	0.17	0.18	0.17															
					sones	10.3	9.8	9.9															
				1500	cfm	1009	903	774	592														
					Bhp	0.24	0.26	0.26	0.25														
					sones	13.1	12.3	12.2	12.4														
		1655	cfm	1151	1064	959	833	668															
			Bhp	0.32	0.34	0.35	0.35	0.34															
			sones	15.0	14.1	13.3	13.1	13.6															
		1725	cfm	1213	1132	1035	932	784	588														
			Bhp	0.36	0.38	0.39	0.39	0.39	0.37														
			sones	16.2	15.4	14.7	14.2	14.3	14.9														
		1812	cfm	1289	1213	1127	1030	911	763	545													
			Bhp	0.41	0.43	0.45	0.46	0.45	0.45	0.41													
			sones	17.8	17.2	16.6	15.8	15.6	15.9	16.6													
		1900	cfm	1366	1294	1218	1127	1033	901	753													
			Bhp	0.47	0.49	0.51	0.53	0.53	0.52	0.51													
			sones	19.0	18.4	18.0	17.4	16.8	16.7	17.0													
		2050	cfm	1495	1430	1361	1285	1200	1113	991	857	672											
			Bhp	0.58	0.61	0.63	0.65	0.66	0.66	0.66	0.66	0.65	0.61										
			sones	21	20	19.8	19.3	18.8	18.6	18.3	18.3	18.6											
		2170	cfm	1598	1536	1472	1407	1328	1248	1163	1045	919	757										
			Bhp	0.68	0.71	0.73	0.76	0.77	0.78	0.79	0.78	0.77	0.74										
			sones	22	22	21	21	21	21	21	20	19.7	19.8										
		2200	cfm	1623	1562	1500	1436	1360	1281	1200	1088	968	834										
			Bhp	0.71	0.74	0.76	0.78	0.80	0.82	0.82	0.81	0.80	0.79										
			sones	23	22	22	22	21	21	21	21	20	20										

MAXIMUM Bhp AT A GIVEN RPM = (RPM/2351)³
 MAXIMUM RPM - GB-141HP=2200, G-143HP=2200
 TIP SPEED (ft/min) = RPM x 3.829
 MAXIMUM MOTOR FRAME SIZE = 145T

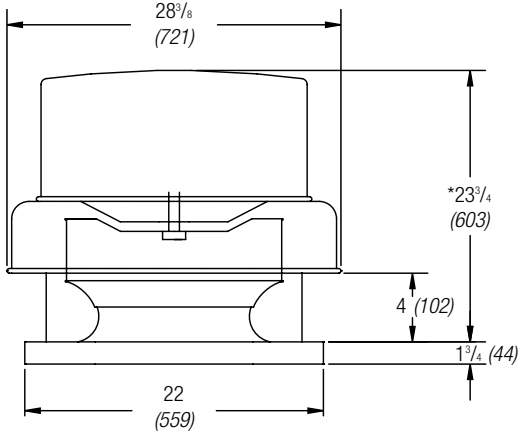
► VG denotes a direct drive brushless DC motor.

Performance certified is for installation Type A: Free inlet, Free outlet. Power rating (Bhp) does not include transmission losses. Performance ratings include the effects of a birdscreen. The sound ratings shown are loudness values in fan sones at 5 ft. (1.5 m) in a hemispherical free field calculated per AMCA Standard 301. Values shown are for installation Type A: Free inlet hemispherical sone levels.

Roof Exhaust Fans

Performance and Dimensional Data

XREB-161 - Belt Drive • XRED-163 - Direct Drive

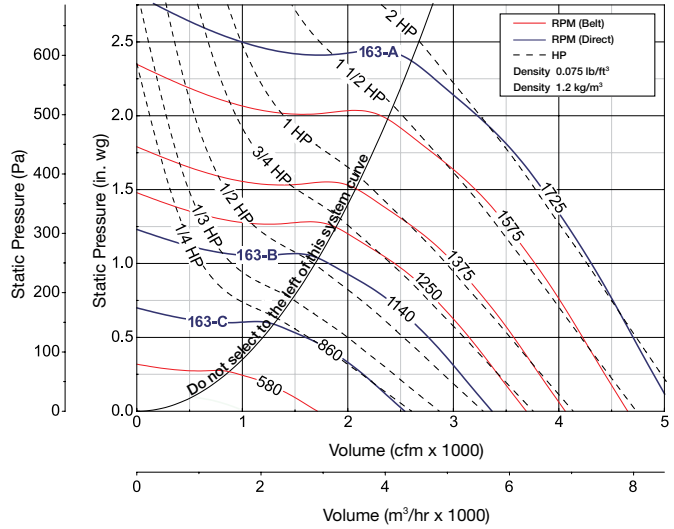


- Damper Size = 16 x 16 (406 x 406)
- Roof Opening = 18 1/2 x 18 1/2 (470 x 470)
- Shroud Thickness = 0.051 (1.3)
- Motor Cover Thickness = 0.040 (1.0)
- Curb Cap Thickness = 0.064 (1.6)
- ^Approximate Unit Weight G/GB = 101/88 lbs. (46/40 kg)

All dimensions in inches (millimeters).

*May be greater depending on motor.

^Weight shown is largest cataloged Open Drip-Proof motor.



Direct Drive RPM

C-860 RPM	B-1140 RPM	A-1725 RPM
-----------	------------	------------

Belt Drive	Direct Drive	Fan RPM	Static Pressure (in. wg)																			
				0	0.125	0.25	0.375	0.5	0.75	0.875	1	1.25	1.5									
161	163																					
1/4	C-1/4	580	cfm	1713	1417	970																
			Bhp	0.07	0.08	0.07																
		sones	5.8	5.6	5.3																	
		720	cfm	2127	1893	1632	1243															
			Bhp	0.14	0.15	0.15	0.14															
					sones	7.8	7.5	7.2	6.8													
1/3	C-1/4	860	cfm	2540	2344	2145	1913	1596														
			Bhp	0.23	0.24	0.25	0.26	0.24														
		sones	10.5	10.0	9.6	9.3	8.7															
		945	cfm	2791	2612	2434	2236	2010														
			Bhp	0.31	0.32	0.33	0.34	0.34														
					sones	12.6	12.0	11.5	11.2	10.7												
1/2	C-1/4	1050	cfm	3102	2940	2782	2616	2429	1937	1582												
			Bhp	0.42	0.44	0.45	0.46	0.47	0.44	0.41												
		sones	14.4	13.8	13.2	12.9	12.6	11.6	10.7													
		1100	cfm	3249	3095	2943	2787	2615	2198	1900												
			Bhp	0.48	0.50	0.52	0.53	0.53	0.52	0.50												
					sones	15.3	14.7	14.1	13.8	13.5	12.5	12.0										
3/4	B-1/2	1140	cfm	3367	3219	3072	2922	2761	2382	2125	1808											
			Bhp	0.54	0.56	0.57	0.58	0.59	0.59	0.57	0.54											
		sones	15.9	15.4	14.9	14.5	14.2	13.3	12.9	12.1												
		1250	cfm	3692	3557	3422	3289	3149	2838	2658	2444											
			Bhp	0.71	0.73	0.75	0.76	0.77	0.79	0.78	0.76											
					sones	17.9	17.4	17.0	16.6	16.3	15.6	15.2	14.9									
1	B-1/2	1375	cfm	4062	3938	3815	3694	3571	3304	3161	3007	2609	2073									
			Bhp	0.95	0.97	0.99	1.01	1.02	1.04	1.05	1.04	1.04	1.01	0.93								
		sones	21	20	19.6	19.2	18.9	18.4	18.0	17.6	17.2	17.2	15.4									
		1575	cfm	4652	4545	4437	4330	4225	4007	3894	3769	3512	3198									
			Bhp	1.42	1.45	1.47	1.49	1.51	1.54	1.56	1.56	1.56	1.57	1.54								
					sones	26	25	25	24	24	24	23	23	23	22	22						

MAXIMUM Bhp AT A GIVEN RPM = (RPM/1355)³
 MAXIMUM RPM - GB-161=1575, G-163=1725
 TIP SPEED (ft/min) = RPM x 4.352
 MAXIMUM MOTOR FRAME SIZE = 145T

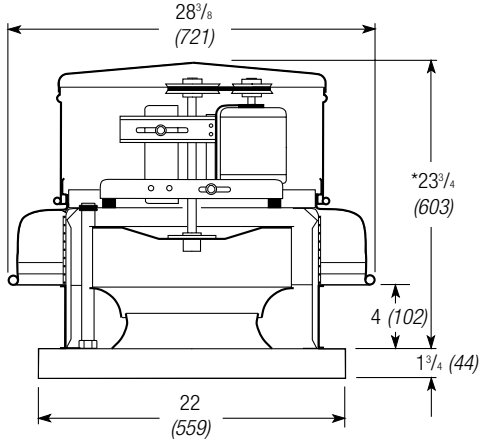
Performance certified is for installation Type A: Free inlet, Free outlet. Power rating (Bhp) does not include transmission losses. Performance ratings include the effects of a birdscreen. The sound ratings shown are loudness values in fan sones at 5 ft. (1.5 m) in a hemispherical free field calculated per AMCA Standard 301. Values shown are for installation Type A: Free inlet hemispherical sone levels.



Roof Exhaust Fans

Performance and Dimensional Data

XREB-161HP - Belt Drive

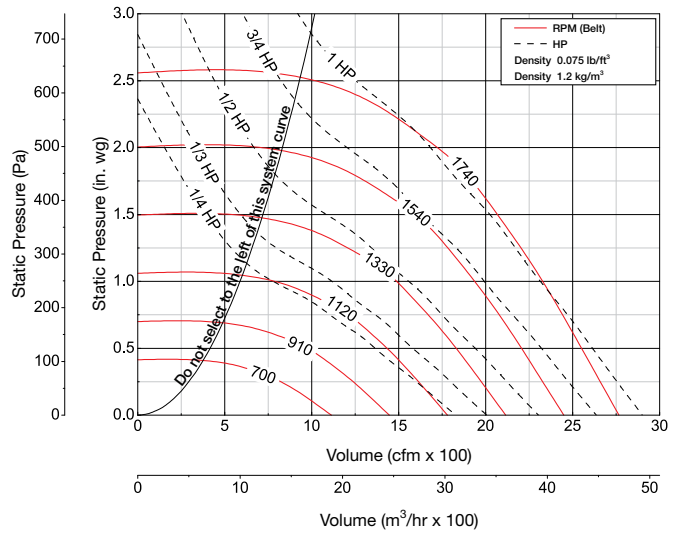


- Damper Size = 16 x 16 (406 x 406)
- Roof Opening = 18 1/2 x 18 1/2 (470 x 470)
- Shroud Thickness = 0.051 (1.3)
- Motor Cover Thickness = 0.040 (1.0)
- Curb Cap Thickness = 0.064 (1.6)
- ^Approximate Unit Weight = 88 lbs. (40 kg)

All dimensions in inches (millimeters).

*May be greater depending on motor.

^Weight shown is largest cataloged Open Drip-Proof motor.



Belt Drive	Fan RPM	Static Pressure (in. wg)										
		0.5	0.625	0.75	1	1.25	1.5	1.75	2	2.25	2.5	
161HP												
1/4	825	cfm	702									
		Bhp	0.11									
		sones	6.5									
	960	cfm	1093	919	585							
		Bhp	0.18	0.17	0.15							
		sones	7.7	7.6	8.0							
	1095	cfm	1380	1271	1139	589						
		Bhp	0.26	0.26	0.26	0.21						
		sones	9.0	9.0	8.9	9.5						
1/3	1210	cfm	1606	1514	1416	1149						
		Bhp	0.34	0.35	0.35	0.34						
		sones	10.6	10.3	10.4	10.3						
1/2	1270	cfm	1718	1636	1545	1333	949					
		Bhp	0.39	0.40	0.40	0.41	0.37					
		sones	11.4	11.2	11.1	11.1	11.4					
	1330	cfm	1829	1753	1668	1483	1204					
		Bhp	0.44	0.45	0.46	0.47	0.45					
		sones	12.3	12.1	11.9	12.1	12.0					
1390	cfm	1938	1865	1789	1619	1399	1032					
	Bhp	0.50	0.51	0.52	0.53	0.53	0.48					
	sones	13.3	13.0	12.8	12.7	12.7	13.1					
3/4	1485	cfm	2109	2041	1973	1822	1654	1416	1012			
		Bhp	0.60	0.61	0.63	0.64	0.65	0.63	0.57			
		sones	14.9	14.7	14.4	13.8	13.7	14.0	14.7			
	1580	cfm	2275	2214	2150	2016	1868	1704	1447	1034		
		Bhp	0.72	0.73	0.75	0.77	0.77	0.791	0.75	0.67		
		sones	16.7	16.7	16.4	15.5	14.7	14.8	15.4	16.6		
1	1660	cfm	2414	2357	2297	2175	2037	1887	1702	1441	996	
		Bhp	0.82	0.84	0.85	0.89	0.89	0.91	0.90	0.86	0.75	
		sones	18.3	18.8	18.3	16.7	16.2	15.8	15.8	17.1	20	
	1740	cfm	2551	2497	2442	2325	2200	2066	1917	1714	1452	987
		Bhp	0.94	0.96	0.97	1.01	1.03	1.03	1.05	1.03	0.98	0.85
		sones	20	21	21	18.4	17.5	17.2	16.8	17.2	19.2	28

MAXIMUM Bhp AT A GIVEN RPM = (RPM/1708)³
 MAXIMUM RPM = 1740
 TIP SPEED (ft/min) = RPM x 4.352
 MAXIMUM MOTOR FRAME SIZE = 145T

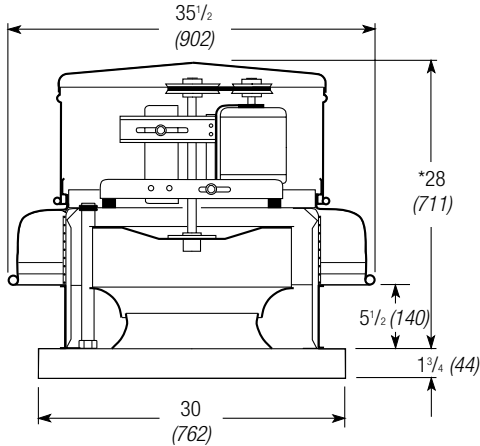
Performance certified is for installation Type A: Free inlet, Free outlet. Power rating (Bhp) does not include transmission losses. Performance ratings include the effects of a birdscreen. The sound ratings shown are loudness values in fan sones at 5 ft. (1.5 m) in a hemispherical free field calculated per AMCA Standard 301. Values shown are for installation Type A: Free inlet hemispherical sone levels.



Roof Exhaust Fans

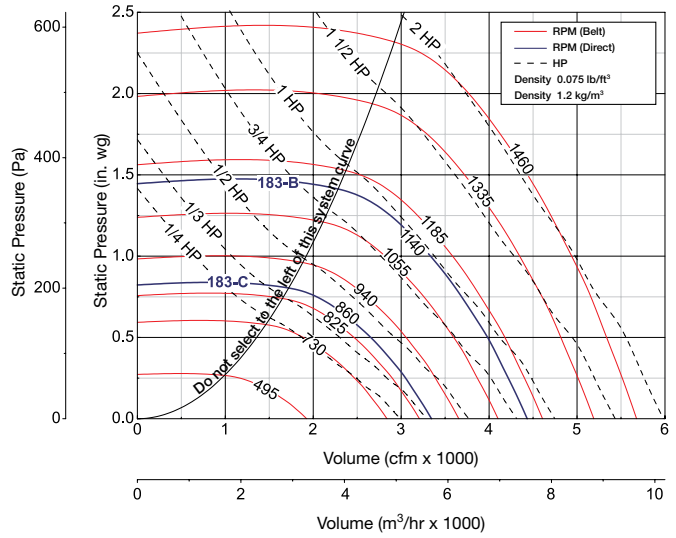
Performance and Dimensional Data

XREB-180 - Belt Drive • XRED-183 - Direct Drive



- Damper Size = 18 x 18 (457 x 457)
- Roof Opening = 20 1/2 x 20 1/2 (521 x 521)
- Shroud Thickness = 0.064 (1.6)
- Motor Cover Thickness = 0.040 (1.0)
- Curb Cap Thickness = 0.064 (1.6)
- ^Approximate Unit Weight G/GB = 108/142 lbs. (49/64 kg)

All dimensions in inches (millimeters).
 *May be greater depending on motor.
 ^Weight shown is largest cataloged Open Drip-Proof motor.



Direct Drive RPM
C-860 RPM B-1140 RPM

Belt Drive	Direct Drive	Fan RPM	Static Pressure (in. wg)																				
			0	0.125	0.25	0.5	0.75	1	1.25	1.5	1.75	2											
180	183																						
1/4	C-1/2	495	CFM	1925	1646	1150																	
			BHP	0.067	0.078	0.075																	
			Sones	4.3	4.7	4.1																	
		730	CFM	2839	2668	2469	1882																
			BHP	0.21	0.23	0.25	0.25																
			Sones	7.4	8.7	7.2	6.7																
1/3	810	CFM	3150	2997	2832	2375																	
		BHP	0.29	0.31	0.33	0.35																	
		Sones	8.8	9.9	8.7	8.2																	
1/2	825	CFM	3208	3059	2899	2458																	
		BHP	0.31	0.32	0.35	0.37																	
		Sones	9.1	10.2	9.0	8.6	8.5																
3/4	C-1/2	860	CFM	3344	3202	3049	2647	2015															
			BHP	0.35	0.36	0.39	0.42	0.4															
			Sones	10.1	10.8	9.8	9.1	8.1															
	940	CFM	3655	3527	3388	3052	2601																
		BHP	0.46	0.47	0.49	0.54	0.54																
		Sones	12.7	12.8	12	11.1	10.3																
1	B-1	1055	CFM	4102	3990	3867	3596	3252	2811														
			BHP	0.65	0.67	0.68	0.74	0.77	0.77														
			Sones	16.2	15.7	14.9	14	12.9	12.4														
1	B-1	1140	CFM	4433	4329	4216	3980	3684	3328	2856													
			BHP	0.81	0.84	0.85	0.93	0.96	0.98	0.95													
			Sones	17.9	17.4	16.8	16	15.1	14.3	13.6													
1-1/2	B-1	1185	CFM	4608	4508	4401	4179	3900	3575	3178	2499												
			BHP	0.91	0.94	0.96	1.03	1.07	1.1	1.09	0.99												
			Sones	19	18.4	17.8	17.1	16.2	15.4	14.7	13.7												
2	B-1	1335	CFM	5191	5102	5010	4814	4599	4344	4052	3713	3262											
			BHP	1.31	1.33	1.36	1.41	1.49	1.54	1.57	1.56	1.51											
			Sones	22	22	21	21	19.9	19.2	18.7	18.2	17.6											
2	B-1	1460	CFM	5677	5596	5514	5336	5155	4938	4699	4426	4123	3765										
			BHP	1.71	1.74	1.77	1.81	1.93	1.97	2.03	2.05	2.05	2.02										
			Sones	26	25	24	24	23	23	22	22	22	22	21									

MAXIMUM Bhp AT A GIVEN RPM = (RPM/1149)³
 MAXIMUM RPM = 1460
 TIP SPEED (ft/min) = RPM x 4.843
 MAXIMUM MOTOR FRAME SIZE = 184T

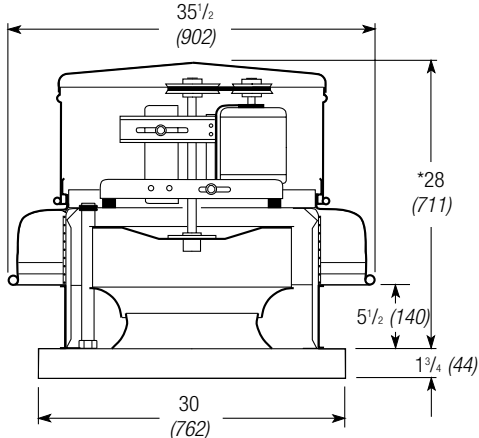
Performance certified is for installation Type A: Free inlet, Free outlet. Power rating (Bhp) does not include transmission losses. Performance ratings include the effects of a birdscreen. The sound ratings shown are loudness values in fan sones at 5 ft. (1.5 m) in a hemispherical free field calculated per AMCA Standard 301. Values shown are for installation Type A: Free inlet hemispherical sone levels.



Roof Exhaust Fans

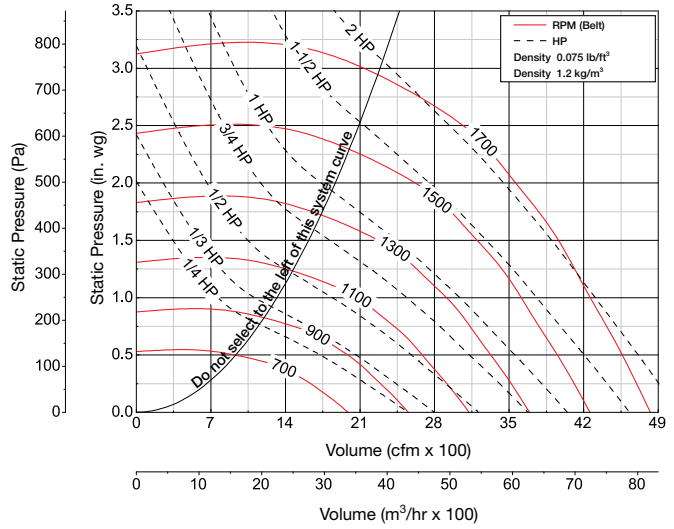
Performance and Dimensional Data

XREB-180HP - Belt Drive



Damper Size = 18 x 18 (457 x 457)
 Roof Opening = 20 1/2 x 20 1/2 (521 x 521)
 Shroud Thickness = 0.064 (1.6)
 Motor Cover Thickness = 0.040 (1.0)
 Curb Cap Thickness = 0.064 (1.6)
 ^Approximate Unit Weight = 142 lbs. (64 kg)

All dimensions in inches (millimeters).
 *May be greater depending on motor.
 ^Weight shown is largest cataloged Open Drip-Proof motor.



Belt Drive	Fan RPM	Static Pressure (in. wg)										
		0.5	0.75	1	1.25	1.5	1.75	2	2.25	2.5	2.75	
180HP												
1/4	795	cfm	1547									
		Bhp	0.22									
		sones	8.6									
1/4	845	cfm	1759									
		Bhp	0.26									
		sones	9.1									
1/3	935	cfm	2114	1686								
		Bhp	0.35	0.35								
		sones	10.3	9.6								
1/2	1075	cfm	2601	2316	1920							
		Bhp	0.51	0.53	0.52							
		sones	12.9	12.1	11.6							
3/4	1150	cfm	2847	2607	2298	1811						
		Bhp	0.61	0.64	0.65	0.62						
		sones	14.6	13.1	12.6	12.3						
	1225	cfm	3088	2880	2610	2277	1711					
		Bhp	0.73	0.77	0.78	0.78	0.72					
		sones	16.3	14.7	13.9	13.3	13.2					
1	1350	cfm	3485	3296	3095	2840	2540	2059				
		Bhp	0.96	1.00	1.04	1.05	1.05	0.99				
		sones	19.5	17.6	16.4	15.8	15.0	15.1				
1-1/2	1445	cfm	3782	3604	3428	3213	2969	2670	2216			
		Bhp	1.16	1.21	1.25	1.28	1.29	1.28	1.21			
		sones	22	20	18.8	17.8	17.3	16.4	16.6			
	1540	cfm	4076	3909	3744	3576	3353	3119	2827	2407		
		Bhp	1.39	1.44	1.49	1.53	1.55	1.56	1.55	1.48		
		sones	25	22	21	20	19.6	18.9	18.1	18.3		
2	1620	cfm	4319	4163	4005	3848	3663	3450	3223	2923	2512	
		Bhp	1.60	1.66	1.71	1.76	1.79	1.81	1.82	1.80	1.72	
		sones	27	25	24	23	22	21	20	19.7	19.8	
	1700	cfm	4560	4414	4263	4114	3964	3764	3560	3340	3037	2642
		Bhp	1.84	1.90	1.96	2.01	2.06	2.08	2.10	2.11	2.07	1.99
		sones	30	27	26	25	24	23	22	22	21	21

MAXIMUM Bhp AT A GIVEN RPM = (RPM/1325)³
 MAXIMUM RPM = 1700
 TIP SPEED (ft/min) = RPM x 4.843
 MAXIMUM MOTOR FRAME SIZE = 184T

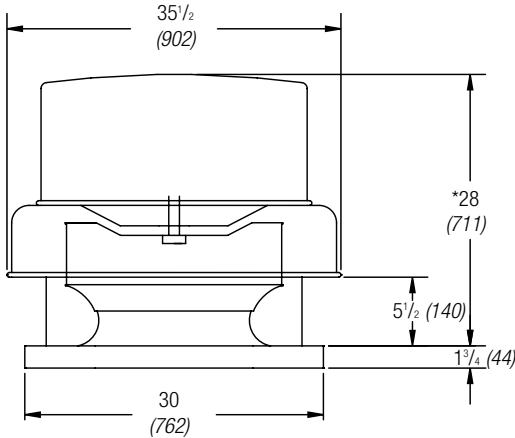
Performance certified is for installation Type A: Free inlet, Free outlet. Power rating (Bhp) does not include transmission losses. Performance ratings include the effects of a birdscreen. The sound ratings shown are loudness values in fan sones at 5 ft. (1.5 m) in a hemispherical free field calculated per AMCA Standard 301. Values shown are for installation Type A: Free inlet hemispherical sone levels.



Roof Exhaust Fans

Performance and Dimensional Data

XREB-200 - Belt Drive • XRED-203 - Direct Drive

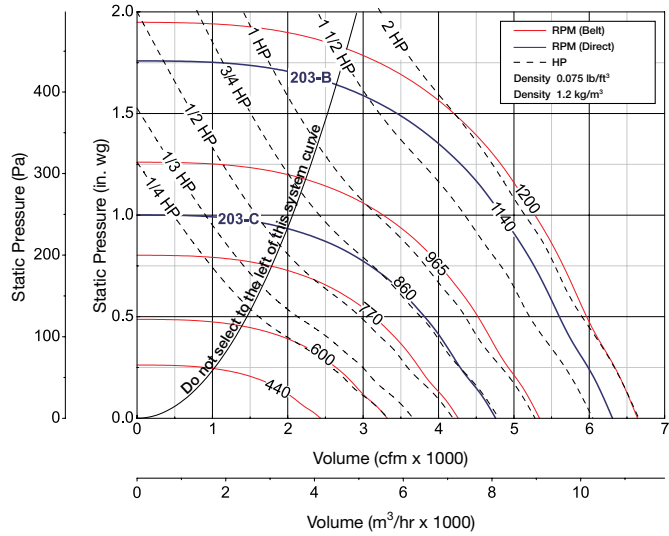


Damper Size = 18 x 18 (457 x 457)
 Roof Opening = 20 1/2 x 20 1/2 (521 x 521)
 Shroud Thickness = 0.064 (1.6)
 Motor Cover Thickness = 0.040 (1.0)
 Curb Cap Thickness = 0.064 (1.6)
 ^Approximate Unit Weight G/GB = 119/144 lbs. (54/65 kg)

All dimensions in inches (millimeters).

*May be greater depending on motor.

^Weight shown is largest cataloged Open Drip-Proof motor.



Direct Drive RPM

C-860 RPM	B-1140 RPM
-----------	------------

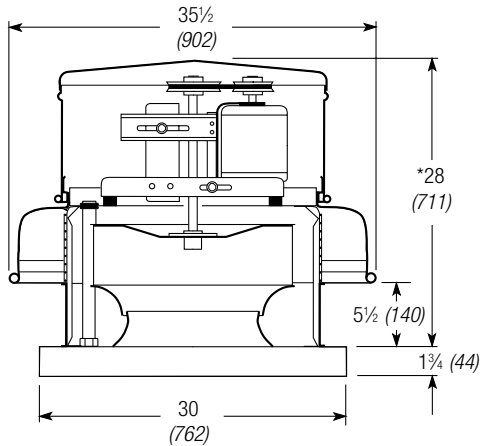
Belt Drive	Direct Drive	Fan RPM	Static Pressure (in. wg)																		
			0	0.125	0.25	0.375	0.5	0.75	1.0	1.25	1.5	1.75									
200	203																				
1/4		440	cfm	2435	1976															MAXIMUM Bhp AT A GIVEN RPM = (RPM/938) ³ MAXIMUM RPM = 1200 TIP SPEED (ft/min) = RPM x 5.596 MAXIMUM MOTOR FRAME SIZE = 184T	
			Bhp	0.1	0.1																
		sones	6.5	5.8																	
		cfm	3320	2984	2637	2089															
		Bhp	0.25	0.26	0.26	0.25															
		sones	8.5	7.9	7.3	6.1															
1/3		665	cfm	3680	3378	3085	2706	2087													
			Bhp	0.34	0.34	0.35	0.35	0.33													
		sones	9.6	9	8.5	7.7	6.7														
		cfm	3973	3700	3422	3109	2684														
1/2		718	Bhp	0.43	0.43	0.45	0.45	0.44													
			sones	10.8	10	9.6	9	8.3													
		cfm	4261	4013	3744	3477	3141														
		Bhp	0.52	0.53	0.55	0.55	0.55														
3/4	C-3/4	860	cfm	4759	4548	4289	4068	3811	3085												
			Bhp	0.73	0.74	0.75	0.77	0.77	0.74												
		sones	14.1	13.3	12.9	12.4	11.8	11.1													
		cfm	5340	5158	4927	4720	4520	4015	3240												
		Bhp	1.03	1.04	1.05	1.08	1.09	1.08	1.02												
		sones	16.7	16	15.4	15	14.5	13.7	13												
1-1/2		1028	cfm	5689	5517	5309	5101	4918	4488	3911	2941										
			Bhp	1.25	1.26	1.27	1.29	1.31	1.32	1.28	1.14										
		sones	18.5	17.8	17.2	16.8	16.4	15.6	14.7	14.6											
		cfm	6032	5870	5682	5473	5301	4925	4450	3751											
		Bhp	1.49	1.5	1.51	1.52	1.56	1.56	1.56	1.48											
		sones	20	19.6	18.9	18.4	18.1	17.5	16.8	15.8											
2	B-2	1140	cfm	6308	6154	5980	5779	5606	5267	4832	4287	3439									
			Bhp	1.7	1.71	1.72	1.74	1.77	1.79	1.79	1.75	1.61									
		sones	22	21	21	20	19.7	19.1	18.5	17.5	16.5										
		cfm	6640	6494	6336	6145	5969	5651	5274	4829	4177	3077									
		Bhp	1.99	2	2.01	2.02	2.04	2.09	2.09	2.08	1.99	1.69									
		sones	24	23	23	22	22	21	21	19.9	18.6	16.7									

Performance certified is for installation Type A: Free inlet, Free outlet. Power rating (Bhp) does not include transmission losses. Performance ratings include the effects of a birdscreen. The sound ratings shown are loudness values in fan sones at 5 ft. (1.5 m) in a hemispherical free field calculated per AMCA Standard 301. Values shown are for installation Type A: Free inlet hemispherical sone levels.

Roof Exhaust Fans

Performance and Dimensional Data

XREB-200HP - Belt Drive



Damper Size = 18 x 18 (457 x 457)

Roof Opening = 20 1/2 x 20 1/2 (521 x 521)

Shroud Thickness = 0.064 (1.6)

Motor Cover Thickness = 0.040 (1.0)

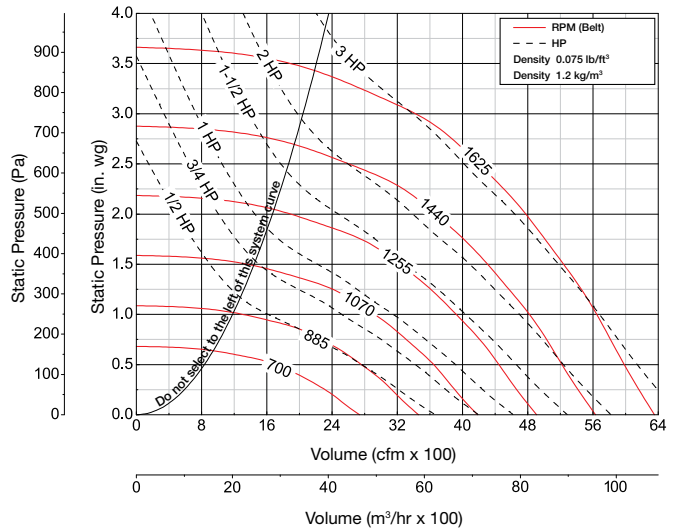
Curb Cap Thickness = 0.064 (1.6)

^Approximate Unit Weight = 166 lbs. (75 kg)

All dimensions in inches (millimeters).

*May be greater depending on motor.

^Weight shown is largest cataloged Open Drip-Proof motor.



Motor HP	Fan RPM	Static Pressure in Inches wg										
		0.5	0.75	1	1.25	1.5	2	2.5	2.75	3	3.25	
200HP												
1/2	740	cfm	1961									
		Bhp	0.30									
		sones	8.7									
	895	cfm	2809	2331	1424							
		Bhp	0.52	0.53	0.45							
		sones	11.4	10.9	10.3							
3/4	958	cfm	3116	2715	2153							
		Bhp	0.63	0.65	0.63							
		sones	12.8	12.1	11.6							
	1020	cfm	3409	3050	2602	1857						
		Bhp	0.75	0.77	0.78	0.71						
		sones	14.1	13.6	13.1	12.6						
1	1125	cfm	3885	3584	3243	2804	2136					
		Bhp	0.99	1.02	1.04	1.04	0.97					
		sones	16.9	16.4	15.5	15.3	15.2					
1-1/2	1205	cfm	4229	3967	3663	3314	2884					
		Bhp	1.19	1.24	1.27	1.29	1.27					
		sones	18.8	17.9	17.2	16.5	16.4					
	1285	cfm	4569	4343	4070	3770	3416	2278				
		Bhp	1.43	1.49	1.52	1.55	1.57	1.40				
		sones	21	20	19.1	18.1	17.8	18.9				
2	1350	cfm	4843	4638	4384	4109	3811	2996				
		Bhp	1.65	1.71	1.75	1.78	1.81	1.76				
		sones	23	22	21	19.8	19.3	19.1				
	1415	cfm	5114	4919	4692	4442	4169	3492	2250			
		Bhp	1.88	1.95	2.00	2.04	2.07	2.07	1.78			
		sones	24	24	23	22	21	19.7	23			
3	1520	cfm	5550	5368	5182	4952	4713	4166	3458	2850	2046	
		Bhp	2.31	2.38	2.45	2.50	2.53	2.58	2.53	2.38	2.06	
		sones	27	27	27	26	24	23	22	22	22	
	1625	cfm	5982	5812	5642	5448	5233	4767	4196	3859	3377	2725
		Bhp	2.80	2.88	2.95	3.02	3.06	3.13	3.16	3.12	3.01	2.76
		sones	32	31	31	29	28	27	25	24	23	22

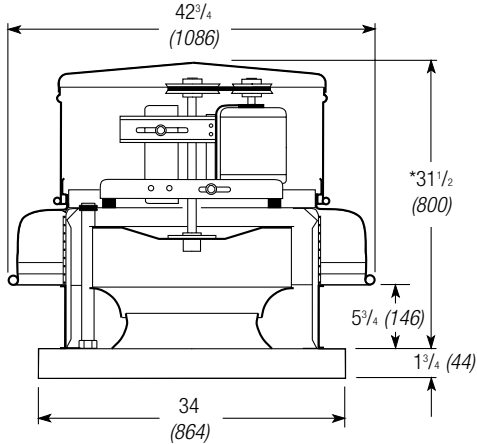
MAXIMUM Bhp AT A GIVEN RPM = (RPM/1106)³
 MAXIMUM RPM = 1625
 TIP SPEED (ft/min) = RPM x 5.596
 MAXIMUM MOTOR FRAME SIZE = 184T

Performance certified is for installation Type A: Free inlet, Free outlet. Power rating (Bhp) does not include transmission losses. Performance ratings include the effects of a birdscreen. The sound ratings shown are loudness values in fan sones at 5 ft. (1.5 m) in a hemispherical free field calculated per AMCA Standard 301. Values shown are for installation Type A: Free inlet hemispherical sone levels.

Roof Exhaust Fans

Performance and Dimensional Data

XREB-220 - Belt Drive

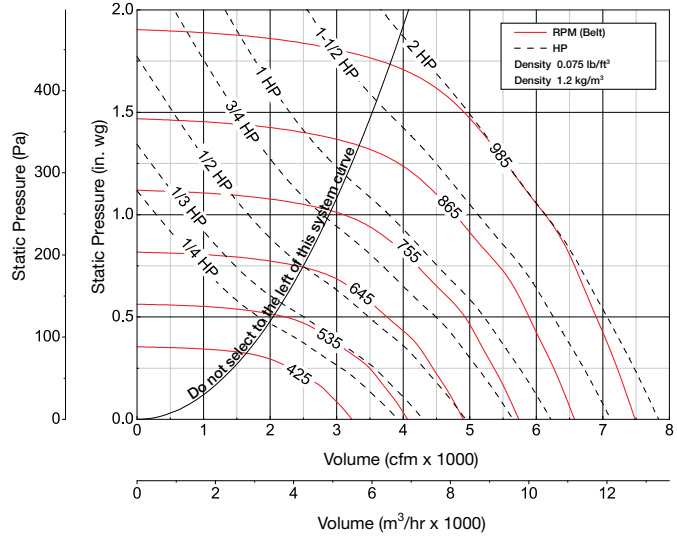


- Damper Size = 24 x 24 (610 x 610)
- Roof Opening = 26 1/2 x 26 1/2 (673 x 673)
- Shroud Thickness = 0.064 (1.6)
- Motor Cover Thickness = 0.040 (1.0)
- Curb Cap Thickness = 0.064 (1.6)
- ^Approximate Unit Weight = 164 lbs. (74 kg)

All dimensions in inches (millimeters).

*May be greater depending on motor.

^Weight shown is largest cataloged Open Drip-Proof motor.



Motor HP	Fan RPM		Static Pressure (in. wg)									
			0	0.125	0.25	0.375	0.5	0.625	0.75	1	1.25	1.5
220												
1/4	425	cfm	3230	2879	2296							
		Bhp	0.14	0.16	0.16							
		sones	7.4	7.2	6.9							
	465	cfm	3533	3219	2758	1951						
		Bhp	0.18	0.20	0.21	0.19						
		sones	8.1	7.8	7.4	7.0						
500	cfm	3799	3512	3132	2542							
	Bhp	0.23	0.25	0.26	0.26							
	sones	8.8	8.4	7.9	7.5							
1/3	550	cfm	4179	3924	3629	3158	2526					
		Bhp	0.30	0.32	0.34	0.35	0.33					
		sones	10.0	9.6	8.9	8.4	8.0					
1/2	640	cfm	4863	4654	4403	4120	3702	3208				
		Bhp	0.48	0.50	0.53	0.54	0.55	0.54				
		sones	13.0	12.8	12.1	11.2	10.5	9.7				
3/4	710	cfm	5395	5206	4990	4762	4459	4077	3633			
		Bhp	0.65	0.68	0.71	0.73	0.74	0.75	0.74			
		sones	15.0	14.9	14.4	13.6	12.8	12.1	11.2			
1	755	cfm	5737	5559	5362	5148	4920	4579	4206	3095		
		Bhp	0.79	0.82	0.84	0.87	0.89	0.90	0.90	0.82		
		sones	15.7	15.6	15.2	14.6	14.0	13.4	12.7	11.2		
	800	cfm	6079	5911	5732	5530	5326	5049	4716	3929		
		Bhp	0.93	0.97	1.00	1.02	1.05	1.06	1.07	1.05		
		sones	16.6	16.4	16.1	15.6	15.2	14.6	14.2	12.5		
1-1/2	848	cfm	6444	6286	6122	5932	5741	5540	5236	4566	3542	
		Bhp	1.11	1.15	1.18	1.21	1.23	1.26	1.27	1.27	1.17	
		sones	17.8	17.5	17.2	16.9	16.5	16.2	15.7	14.5	13.4	
	895	cfm	6801	6651	6501	6323	6142	5960	5723	5122	4401	
		Bhp	1.31	1.34	1.38	1.41	1.44	1.47	1.49	1.50	1.47	
		sones	19.4	19.1	18.8	18.5	18.2	18.0	17.6	16.9	15.5	
2	985	cfm	7485	7349	7212	7062	6898	6734	6568	6107	5548	4883
		Bhp	1.74	1.78	1.82	1.86	1.89	1.92	1.95	1.99	2.00	1.96
		sones	23	23	23	22	22	22	22	21	20	19.0

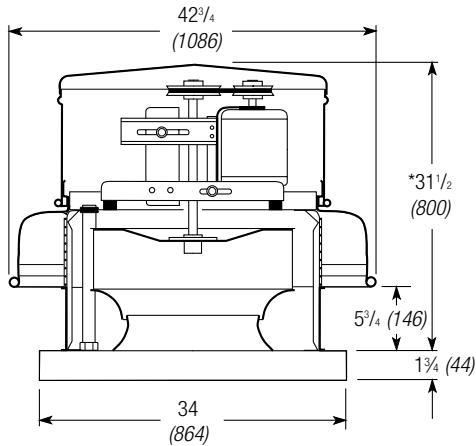
MAXIMUM Bhp AT A GIVEN RPM = (RPM/782)³
 MAXIMUM RPM = 985
 TIP SPEED (ft/min) = RPM x 6.283
 MAXIMUM MOTOR FRAME SIZE = 184T

Performance certified is for installation Type A: Free inlet, Free outlet. Power rating (Bhp) does not include transmission losses. Performance ratings include the effects of a birdscreen. The sound ratings shown are loudness values in fan sones at 5 ft. (1.5 m) in a hemispherical free field calculated per AMCA Standard 301. Values shown are for installation Type A: Free inlet hemispherical sone levels.

Roof Exhaust Fans

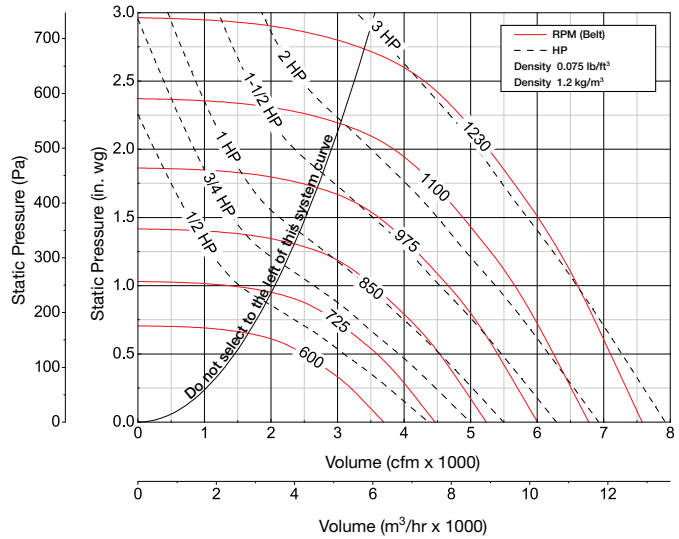
Performance and Dimensional Data

XREB-220HP - Belt Drive



Damper Size = 24 x 24 (610 x 610)
 Roof Opening = 26 1/2 x 26 1/2 (673 x 673)
 Shroud Thickness = 0.064 (1.6)
 Motor Cover Thickness = 0.040 (1.0)
 Curb Cap Thickness = 0.064 (1.6)
 ^Approximate Unit Weight = 186 lbs. (84 kg)

All dimensions in inches (millimeters).
 *May be greater depending on motor.
 ^Weight shown is largest cataloged Open Drip-Proof motor.



Motor HP	Fan RPM	Static Pressure (in. wg)										
		0.5	0.625	0.75	1	1.25	1.5	1.75	2	2.25	2.5	
220HP												
1/2	650	cfm	2952	2555	1892							
		Bhp	0.47	0.46	0.42							
		sones	8.9	8.5	8.3							
	680	cfm	3215	2871	2440							
		Bhp	0.53	0.53	0.52							
		sones	9.4	9.2	8.9							
3/4	728	cfm	3614	3312	2974							
		Bhp	0.65	0.65	0.65							
		sones	10.6	10.3	9.9							
	775	cfm	3973	3719	3424	2643						
		Bhp	0.77	0.79	0.79	0.75						
		sones	12.0	11.5	11.1	10.5						
1	850	cfm	4532	4317	4083	3536	2648					
		Bhp	1.00	1.02	1.04	1.03	0.95					
		sones	15.0	13.8	13.5	12.7	12.0					
1-1/2	913	cfm	4975	4791	4590	4119	3545	2557				
		Bhp	1.22	1.25	1.27	1.29	1.27	1.13				
		sones	16.7	16.0	15.3	14.4	13.5	13.0				
	975	cfm	5400	5245	5060	4660	4185	3602				
		Bhp	1.46	1.50	1.53	1.57	1.56	1.53				
		sones	18.7	18.2	17.5	16.3	15.4	14.8				
2	1025	cfm	5740	5591	5432	5075	4643	4157	3492			
		Bhp	1.68	1.72	1.76	1.81	1.82	1.804	1.74			
		sones	21	20	19.4	18.2	17.1	16.4	15.6			
	1075	cfm	6076	5935	5794	5459	5082	4649	4136	3346		
		Bhp	1.93	1.97	2.01	2.06	2.10	2.10	2.07	1.93		
		sones	23	22	21	20	18.7	18.3	17.7	16.4		
3	1127	cfm	6422	6289	6154	5852	5520	5124	4703	4173	3299	
		Bhp	2.20	2.24	2.29	2.36	2.41	2.42	2.41	2.37	2.17	
		sones	24	24	23	22	21	20	19.3	18.6	17.7	
	1230	cfm	7100	6981	6858	6611	6316	6009	5649	5263	4812	4265
		Bhp	2.82	2.87	2.92	3.01	3.08	3.14	3.15	3.14	3.10	3.02
		sones	28	27	27	27	25	25	23	22	22	22

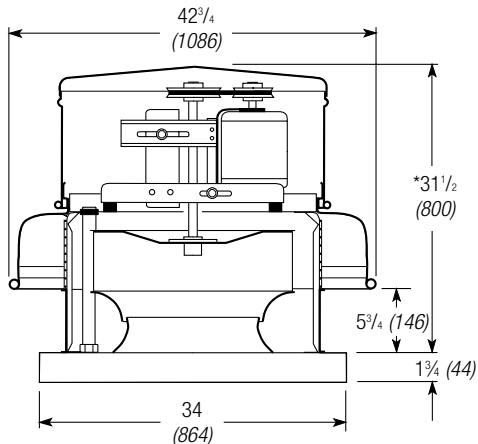
MAXIMUM Bhp AT A GIVEN RPM = (RPM/838)³
 MAXIMUM RPM = 1230
 TIP SPEED (ft/min) = RPM x 6.414
 MAXIMUM MOTOR FRAME SIZE = 184T

Performance certified is for installation Type A: Free inlet, Free outlet. Power rating (Bhp) does not include transmission losses. Performance ratings include the effects of a birdscreen. The sound ratings shown are loudness values in fan sones at 5 ft. (1.5 m) in a hemispherical free field calculated per AMCA Standard 301. Values shown are for installation Type A: Free inlet hemispherical sone levels.

Roof Exhaust Fans

Performance and Dimensional Data

XREB-240 - Belt Drive



Damper Size = 24 x 24 (610 x 610)

Roof Opening = 26 1/2 x 26 1/2 (673 x 673)

Shroud Thickness = 0.064 (1.6)

Motor Cover Thickness = 0.040 (1.0)

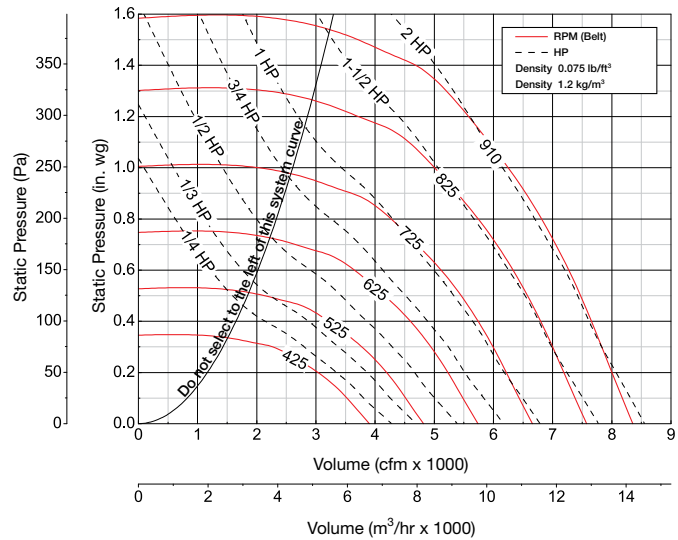
Curb Cap Thickness = 0.064 (1.6)

^Approximate Unit Weight = 165 lbs. (75 kg)

All dimensions in inches (millimeters).

*May be greater depending on motor.

^Weight shown is largest cataloged Open Drip-Proof motor.



Motor HP	Fan RPM		Static Pressure (in. wg)									
			0	0.125	0.25	0.375	0.5	0.625	0.75	1	1.25	1.5
240												
1/4	425	cfm	3902	3422	2691							
		Bhp	0.19	0.21	0.20							
		sones	5.9	5.9	4.7							
	460	cfm	4223	3785	3188	2036						
		Bhp	0.24	0.26	0.27	0.22						
		sones	6.7	6.6	5.7	4.2						
1/3	505	cfm	4637	4242	3761	3060						
		Bhp	0.32	0.35	0.35	0.34						
		sones	7.8	7.5	6.9	6.1						
1/2	585	cfm	5371	5031	4666	4195	3562	2112				
		Bhp	0.50	0.53	0.54	0.55	0.53	0.41				
		sones	10.3	9.7	9.1	8.8	8.2	7.2				
3/4	623	cfm	5720	5400	5069	4660	4131	3428				
		Bhp	0.60	0.64	0.65	0.66	0.65	0.61				
		sones	11.7	11.0	10.4	10.0	9.6	9.1				
	660	cfm	6060	5757	5449	5094	4636	4073	3217			
		Bhp	0.71	0.75	0.78	0.79	0.78	0.76	0.69			
		sones	13.1	12.4	11.8	11.3	11.0	10.6	10.4			
1	730	cfm	6702	6428	6158	5861	5507	5077	4568			
		Bhp	0.96	1.01	1.05	1.05	1.06	1.06	1.03			
		sones	15.8	15.0	14.3	13.8	13.4	13.1	12.9			
1-1/2	778	cfm	7143	6886	6632	6363	6058	5700	5266	4145		
		Bhp	1.16	1.21	1.26	1.27	1.28	1.29	1.28	1.18		
		sones	17.7	16.6	15.9	15.4	15.0	14.7	14.4	13.2		
	825	cfm	7575	7332	7092	6844	6574	6261	5901	5002		
		Bhp	1.39	1.44	1.49	1.51	1.52	1.54	1.53	1.48		
		sones	19.7	18.6	17.7	17.2	16.8	16.4	16.2	14.8		
2	870	cfm	7988	7757	7529	7300	7055	6775	6457	5680	7757	
		Bhp	1.63	1.68	1.73	1.77	1.78	1.80	1.80	1.77	1.68	
		sones	22	21	19.6	19.1	18.7	18.3	17.9	16.9	21	
	910	cfm	8355	8135	7916	7700	7467	7215	6933	6240	5388	3707
		Bhp	1.86	1.92	1.97	2.02	2.03	2.05	2.06	2.05	1.97	1.66
		sones	24	23	21	21	21	20	19.6	19.2	16.7	13.6

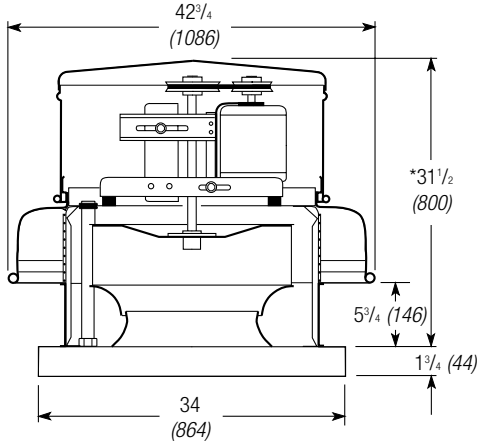
MAXIMUM Bhp AT A GIVEN RPM = (RPM/715)³
 MAXIMUM RPM = 910
 TIP SPEED (ft/min) = RPM x 6.414
 MAXIMUM MOTOR FRAME SIZE = 184T

Performance certified is for installation Type A: Free inlet, Free outlet. Power rating (Bhp) does not include transmission losses. Performance ratings include the effects of a birdscreen. The sound ratings shown are loudness values in fan sones at 5 ft. (1.5 m) in a hemispherical free field calculated per AMCA Standard 301. Values shown are for installation Type A: Free inlet hemispherical sone levels.

Roof Exhaust Fans

Performance and Dimensional Data

XREB-240HP - Belt Drive

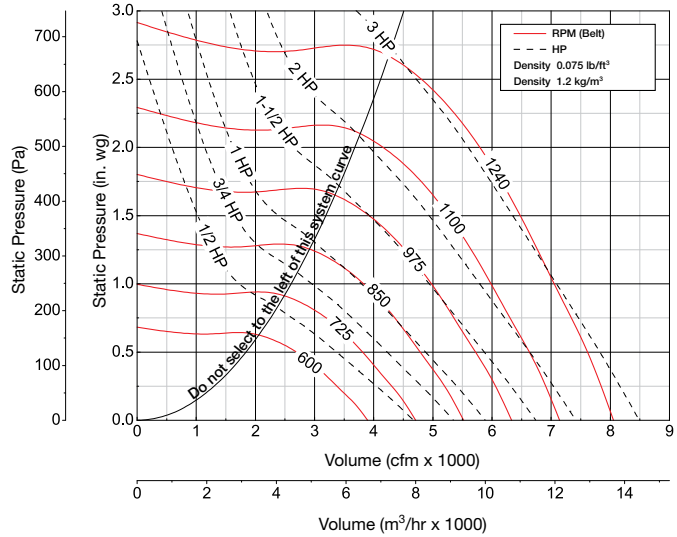


- Damper Size = 24 x 24 (610 x 610)
- Roof Opening = 26 1/2 x 26 1/2 (673 x 673)
- Shroud Thickness = 0.064 (1.6)
- Motor Cover Thickness = 0.040 (1.0)
- Curb Cap Thickness = 0.064 (1.6)
- ^Approximate Unit Weight = 187 lbs. (85 kg)

All dimensions in inches (millimeters).

*May be greater depending on motor.

^Weight shown is largest cataloged Open Drip-Proof motor.



Motor HP	Fan RPM	Static Pressure (in. wg)										
		0.5	0.625	0.75	1	1.25	1.5	1.75	2	2.25	2.5	
240HP												
1/2	635	cfm	3035	2586								
		Bhp	0.42	0.41								
		sones	8.0	7.6								
	685	cfm	3475	3147	2693							
		Bhp	0.53	0.53	0.51							
		sones	9.4	8.8	8.4							
3/4	733	cfm	3877	3603	3272							
		Bhp	0.64	0.65	0.65							
		sones	11.0	10.3	9.7							
	780	cfm	4247	4005	3740	2964						
		Bhp	0.76	0.77	0.78	0.75						
		sones	12.7	11.9	11.3	10.3						
1	860	cfm	4860	4654	4434	3915	3105					
		Bhp	0.99	1.02	1.04	1.05	0.99					
		sones	15.9	15.2	14.3	13.2	12.2					
1-1/2	920	cfm	5310	5118	4925	4496	3944					
		Bhp	1.20	1.23	1.25	1.29	1.27					
		sones	18.5	17.4	16.6	15.0	13.8					
	980	cfm	5751	5574	5392	5010	4562	3958				
		Bhp	1.43	1.47	1.49	1.54	1.55	1.52				
		sones	22	19.9	19.1	17.2	15.6	14.8				
2	1030	cfm	6114	5948	5776	5428	5039	4560	3896			
		Bhp	1.65	1.69	1.72	1.77	1.80	1.80	1.73			
		sones	24	23	21	19.6	17.6	16.3	15.7			
	1080	cfm	6474	6315	6154	5826	5468	5062	4555	3763		
		Bhp	1.89	1.92	1.96	2.02	2.06	2.08	2.05	1.93		
		sones	27	26	24	23	20	18.2	17.3	16.7		
3	1133	cfm	6853	6702	6550	6237	5914	5560	5133	4588		
		Bhp	2.16	2.20	2.24	2.31	2.36	2.40	2.39	2.35		
		sones	29	27	26	24	22	21	19.3	18.7		
	1240	cfm	7610	7471	7333	7053	6767	6469	6146	5775	5364	4776
		Bhp	2.80	2.84	2.89	2.97	3.04	3.10	3.14	3.14	3.13	3.04
		sones	31	30	29	28	27	25	24	23	23	22

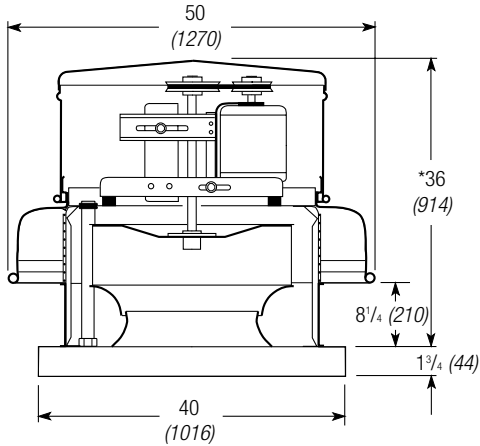
MAXIMUM Bhp AT A GIVEN RPM = (RPM/845)³
 MAXIMUM RPM = 1240
 TIP SPEED (ft/min) = RPM x 6.414
 MAXIMUM MOTOR FRAME SIZE = 184T

Performance certified is for installation Type A: Free inlet, Free outlet. Power rating (Bhp) does not include transmission losses. Performance ratings include the effects of a birdscreen. The sound ratings shown are loudness values in fan sones at 5 ft. (1.5 m) in a hemispherical free field calculated per AMCA Standard 301. Values shown are for installation Type A: Free inlet hemispherical sone levels.

Roof Exhaust Fans

Performance and Dimensional Data

XREB-260 - Belt Drive

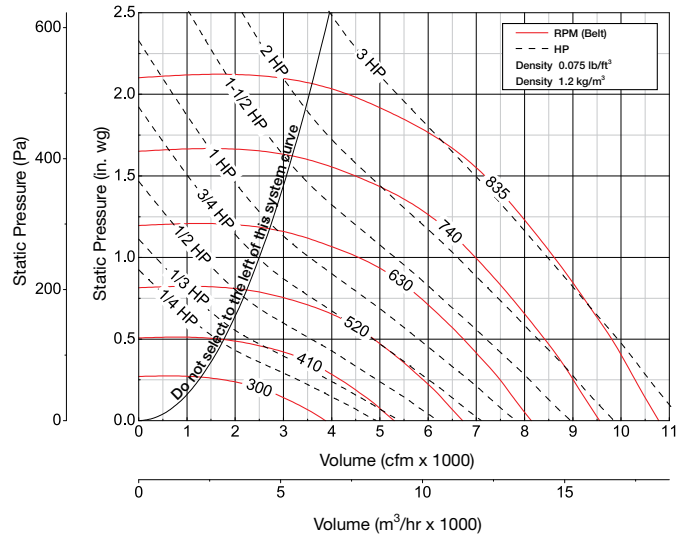


Damper Size = 30 x 30 (762 x 762)
 Roof Opening = 32 1/2 x 32 1/2 (826 x 826)
 Shroud Thickness = 0.064 (1.6)
 Motor Cover Thickness = 0.051 (1.3)
 Curb Cap Thickness = 0.064 (1.6)
 ^Approximate Unit Weight = 305 lbs. (138 kg)

All dimensions in inches (millimeters).

*May be greater depending on motor.

^Weight shown is largest cataloged Open Drip-Proof motor.



Motor HP	Fan RPM		Static Pressure (in. wg)									
			0	0.125	0.25	0.5	0.75	1	1.25	1.5	1.75	2
260												
1/4	300	cfm	3875	3121	1727							
		Bhp	0.12	0.14	0.12							
		sones	8.0	7.1	7.4							
	365	cfm	4714	4130	3393							
		Bhp	0.22	0.25	0.26							
		sones	9.2	8.8	8.6							
1/3	405	cfm	5231	4716	4095							
		Bhp	0.30	0.33	0.35							
		sones	10.4	10.3	10.3							
1/2	465	cfm	6005	5570	5063	3745						
		Bhp	0.45	0.50	0.52	0.53						
		sones	11.4	10.9	10.4	9.6						
3/4	520	cfm	6716	6324	5898	4869	3008					
		Bhp	0.63	0.68	0.72	0.75	0.64					
		sones	12.9	12.1	11.3	10.3	9.4					
1	580	cfm	7491	7137	6775	5912	4826					
		Bhp	0.88	0.93	0.98	1.04	1.03					
		sones	14.4	13.7	13.0	12.2	11.0					
1-1/2	665	cfm	8588	8278	7979	7274	6474	5465	3608			
		Bhp	1.33	1.39	1.44	1.53	1.57	1.55	1.29			
		sones	16.7	16.2	15.8	15.0	14.2	13.3	12.8			
2	700	cfm	9041	8746	8460	7811	7068	6227	4912			
		Bhp	1.55	1.61	1.67	1.77	1.82	1.83	1.71			
		sones	17.8	17.4	17.0	16.2	15.5	14.8	13.8			
	735	cfm	9493	9212	8938	8335	7649	6878	5916	4236		
		Bhp	1.79	1.86	1.92	2.03	2.10	2.13	2.09	1.80		
		sones	18.9	18.6	18.3	17.6	16.8	16.2	15.6	14.9		
3	785	cfm	10138	9875	9617	9069	8452	7769	7006	5949	4189	
		Bhp	2.18	2.26	2.33	2.44	2.53	2.58	2.59	2.49	2.11	
		sones	21	20	20	19.7	18.9	18.2	17.9	17.1	16.7	
835	cfm	10784	10537	10292	9794	9225	8606	7932	7157	6024	4294	
	Bhp	2.62	2.70	2.78	2.91	3.02	3.08	3.12	3.10	2.93	2.49	
	sones	23	23	22	22	21	20	19.9	19.7	18.7	18.6	

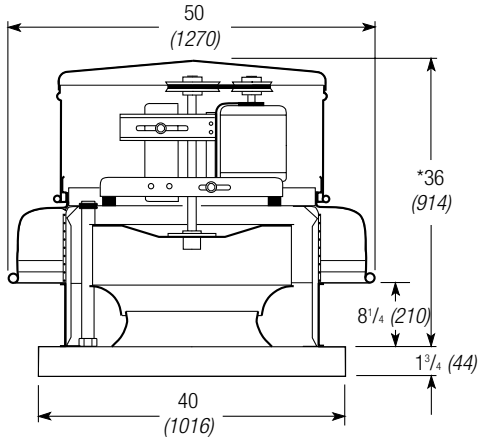
MAXIMUM Bhp AT A GIVEN RPM = (RPM/572)³
 MAXIMUM RPM = 835
 TIP SPEED (ft/min) = RPM x 7.985
 MAXIMUM MOTOR FRAME SIZE = 184T

Performance certified is for installation Type A: Free inlet, Free outlet. Power rating (Bhp) does not include transmission losses. Performance ratings include the effects of a birdscreen. The sound ratings shown are loudness values in fan sones at 5 ft. (1.5 m) in a hemispherical free field calculated per AMCA Standard 301. Values shown are for installation Type A: Free inlet hemispherical sone levels.

Roof Exhaust Fans

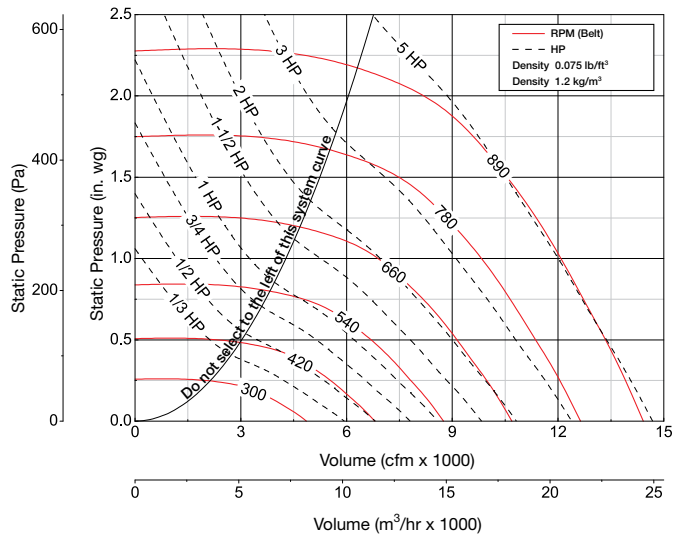
Performance and Dimensional Data

XREB-300 - Belt Drive



Damper Size = 30 x 30 (762 x 762)
 Roof Opening = 32 1/2 x 32 1/2 (826 x 826)
 Shroud Thickness = 0.064 (1.6)
 Motor Cover Thickness = 0.051 (1.3)
 Curb Cap Thickness = 0.064 (1.6)
 ^Approximate Unit Weight = 320 lbs. (145 kg)

All dimensions in inches (millimeters).
 *May be greater depending on motor.
 ^Weight shown is largest cataloged Open Drip-Proof motor.



Motor HP	Fan RPM		Static Pressure (in. wg)									
			0	0.125	0.25	0.5	0.75	1	1.25	1.5	1.75	2
300												
1/3	300	cfm	4859	3976								
		Bhp	0.18	0.19								
		sones	9.3	5.3								
	365	cfm	5912	5222	4340							
		Bhp	0.33	0.35	0.35							
		sones	9.2	6.2	5.7							
1/2	420	cfm	6803	6222	5537							
		Bhp	0.50	0.52	0.53							
		sones	9.6	8.0	7.0							
3/4	475	cfm	7694	7197	6616	5095						
		Bhp	0.72	0.75	0.77	0.74						
		sones	11.4	10.6	9.6	8.1						
1	530	cfm	8585	8150	7640	6456	4195					
		Bhp	1.00	1.04	1.06	1.07	0.91					
		sones	13.4	12.9	12.2	10.7	9.4					
1-1/2	600	cfm	9719	9334	8907	7952	6721					
		Bhp	1.45	1.49	1.53	1.55	1.52					
		sones	15.9	15.4	14.9	13.8	12.2					
2	665	cfm	10772	10425	10060	9228	8269	7025				
		Bhp	1.97	2.02	2.06	2.11	2.11	2.03				
		sones	18.8	18.2	17.7	16.8	15.7	13.7				
3	713	cfm	11549	11226	10901	10129	9297	8283	6691			
		Bhp	2.43	2.48	2.53	2.59	2.61	2.57	2.38			
		sones	21	20	19.6	18.9	18.0	16.4	13.7			
	760	cfm	12311	12007	11704	10997	10242	9369	8293	6437		
		Bhp	2.94	3.00	3.05	3.13	3.16	3.15	3.06	2.76		
		sones	23	22	21	21	19.8	18.6	16.8	14.0		
5	825	cfm	13363	13084	12804	12175	11501	10770	9909	8885	7128	
		Bhp	3.76	3.82	3.88	3.97	4.02	4.05	4.01	3.90	3.56	
		sones	25	25	24	24	23	22	20	18.7	16.1	
	890	cfm	14416	14157	13898	13335	12716	12073	11379	10536	9568	7963
		Bhp	4.73	4.79	4.85	4.96	5.03	5.06	5.09	5.02	4.89	4.54
		sones	28	28	28	27	26	25	24	22	21	18.7

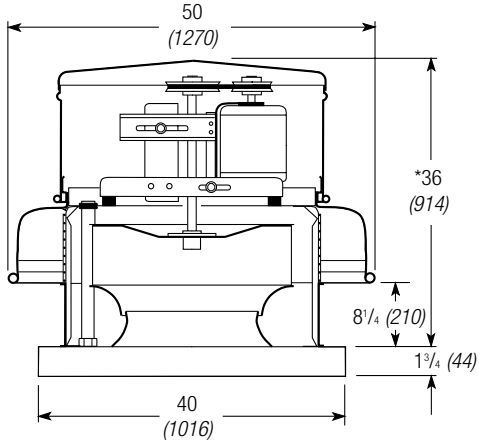
MAXIMUM Bhp AT A GIVEN RPM = (RPM/517)³
 MAXIMUM RPM = 890
 TIP SPEED (ft/min) = RPM x 7.985
 MAXIMUM MOTOR FRAME SIZE = 184T

Performance certified is for installation Type A: Free inlet, Free outlet. Power rating (Bhp) does not include transmission losses. Performance ratings include the effects of a birdscreen. The sound ratings shown are loudness values in fan sones at 5 ft. (1.5 m) in a hemispherical free field calculated per AMCA Standard 301. Values shown are for installation Type A: Free inlet hemispherical sone levels.

Roof Exhaust Fans

Performance and Dimensional Data

XREB-300HP - Belt Drive

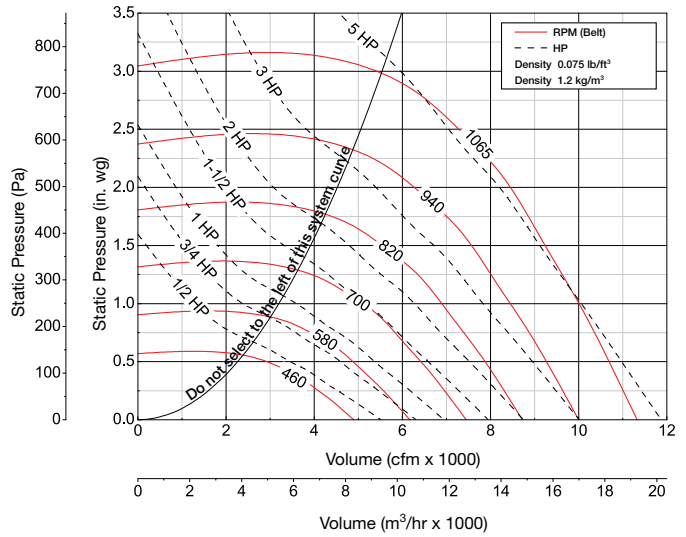


- Damper Size = 30 x 30 (762 x 762)
- Roof Opening = 32 1/2 x 32 1/2 (826 x 826)
- Shroud Thickness = 0.064 (1.6)
- Motor Cover Thickness = 0.051 (1.3)
- Curb Cap Thickness = 0.064 (1.6)
- ^Approximate Unit Weight = 320 lbs. (145 kg)

All dimensions in inches (millimeters).

*May be greater depending on motor.

^Weight shown is largest cataloged Open Drip-Proof motor.



Motor HP	Fan RPM	Static Pressure (in. wg)										
		0.5	0.75	1	1.25	1.5	1.75	2	2.25	2.5	2.75	
300HP												
1/2	460	cfm	2912									
		Bhp	0.41									
		sones	9.7									
	495	cfm	3602									
		Bhp	0.53									
		sones	10.3									
3/4	565	cfm	4662	3600								
		Bhp	0.77	0.76								
		sones	11.8	10.4								
1	620	cfm	5398	4652	3309							
		Bhp	1.01	1.04	0.94							
		sones	13.4	12.3	10.6							
1-1/2	710	cfm	6542	5954	5269	4221						
		Bhp	1.48	1.53	1.55	1.47						
		sones	17.2	16.0	15.3	13.4						
2	748	cfm	7013	6462	5889	5027						
		Bhp	1.71	1.78	1.81	1.78						
		sones	18.8	17.5	17.0	15.7						
	785	cfm	7460	6943	6402	5737	4800					
		Bhp	1.96	2.04	2.08	2.10	2.00					
		sones	20	19.1	18.5	17.9	16.2					
3	840	cfm	8107	7642	7146	6636	5922	4992				
		Bhp	2.37	2.46	2.52	2.57	2.56	2.43				
		sones	23	22	21	21	19.7	18.0				
	895	cfm	8746	8328	7870	7394	6892	6150	5245			
		Bhp	2.84	2.95	3.03	3.07	3.11	3.08	2.92			
		sones	25	24	23	23	22	19.8				
5	980	cfm	9722	9356	8951	8531	8094	7657	7029	6264	5222	
		Bhp	3.68	3.81	3.90	3.99	4.03	4.08	4.09	3.95	3.69	
		sones	32	31	29	28	27	26	25	24	23	
	1065	cfm	10688	10351	10006	9621	9233	8831	8429	7903	7255	6543
		Bhp	4.67	4.81	4.94	5.04	5.12	5.17	5.23	5.24	5.17	5.01
		sones	44	42	37	37	36	35	33	31	30	29

MAXIMUM Bhp AT A GIVEN RPM = (RPM/613)³
 MAXIMUM RPM = 1065
 TIP SPEED (ft/min) = RPM x 7.985
 MAXIMUM MOTOR FRAME SIZE = 184T

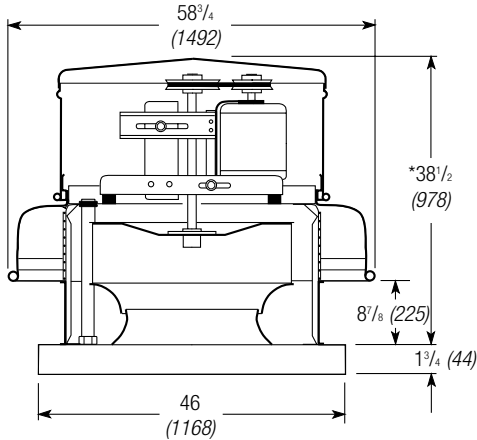
Performance certified is for installation Type A: Free inlet, Free outlet. Power rating (Bhp) does not include transmission losses. Performance ratings include the effects of a birdscreen. The sound ratings shown are loudness values in fan sones at 5 ft. (1.5 m) in a hemispherical free field calculated per AMCA Standard 301. Values shown are for installation Type A: Free inlet hemispherical sone levels.



Roof Exhaust Fans

Performance and Dimensional Data

XREB-330 - Belt Drive

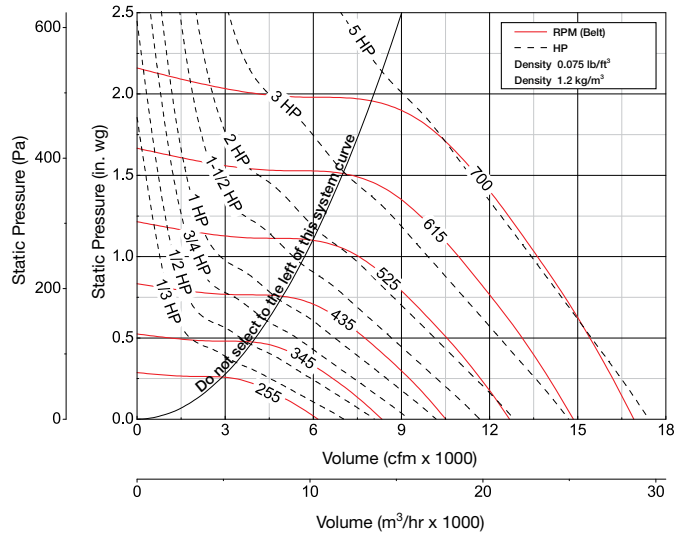


Damper Size = 36 x 36 (914 x 914)
 Roof Opening = 38 1/2 x 38 1/2 (978 x 978)
 Shroud Thickness = 0.080 (2.0)
 Motor Cover Thickness = 0.064 (1.6)
 Curb Cap Thickness = 0.080 (2.0)
 ^Approximate Unit Weight = 385 lbs. (175 kg)

All dimensions in inches (millimeters).

*May be greater depending on motor.

^Weight shown is largest cataloged Open Drip-Proof motor.



Motor HP	Fan RPM		Static Pressure (in. wg)									
			0	0.125	0.25	0.375	0.5	0.75	1	1.25	1.5	1.75
330												
1/3	255	cfm	6159	5043	3236							
		Bhp	0.22	0.25	0.22							
		sones	5.2	4.9	4.8							
	275	cfm	6643	5633	4308							
		Bhp	0.28	0.31	0.31							
		sones	5.9	5.5	5.2							
1/2	325	cfm	7850	7029	6036	4757						
		Bhp	0.46	0.50	0.52	0.50						
		sones	8.5	8.3	7.4	7.1						
3/4	370	cfm	8937	8232	7410	6480	5257					
		Bhp	0.68	0.73	0.76	0.76	0.72					
		sones	10.2	9.8	9.2	8.4	8.3					
1	415	cfm	10024	9401	8713	7927	7050					
		Bhp	0.95	1.01	1.06	1.07	1.07					
		sones	12.6	11.9	11.3	10.6	10.0					
1-1/2	465	cfm	11232	10683	10087	9425	8706	6966				
		Bhp	1.34	1.40	1.46	1.50	1.51	1.46				
		sones	15.1	14.6	14.0	13.4	12.8	11.7				
2	510	cfm	12319	11824	11294	10719	10085	8696	6472			
		Bhp	1.77	1.84	1.91	1.96	1.98	1.99	1.79			
		sones	17.7	17.2	16.6	16.1	15.6	14.4	13.9			
3	550	cfm	13285	12828	12340	11822	11266	10041	8616			
		Bhp	2.22	2.29	2.37	2.43	2.47	2.51	2.46			
		sones	19.6	19.2	18.7	18.2	17.7	16.7	15.7			
	590	cfm	14251	13825	13376	12908	12408	11307	10081	8536		
		Bhp	2.74	2.82	2.90	2.98	3.03	3.09	3.08	2.95		
		sones	22	21	21	20	19.8	18.8	17.7	17.1		
5	645	cfm	15580	15190	14786	14366	13922	12958	11912	10749	9292	
		Bhp	3.57	3.66	3.75	3.84	3.91	4.00	4.04	4.01	3.85	
		sones	24	24	24	23	23	22	21	20	19.4	
	700	cfm	16908	16549	16185	15798	15408	14564	13624	12640	11538	10184
		Bhp	4.57	4.66	4.761	4.86	4.95	5.08	5.14	5.17	5.12	4.94
		sones	28	27	27	27	27	26	25	24	23	22

MAXIMUM Bhp AT A GIVEN RPM = (RPM/405)³
 MAXIMUM RPM = 700
 TIP SPEED (ft/min) = RPM x 9.425
 MAXIMUM MOTOR FRAME SIZE = 215T

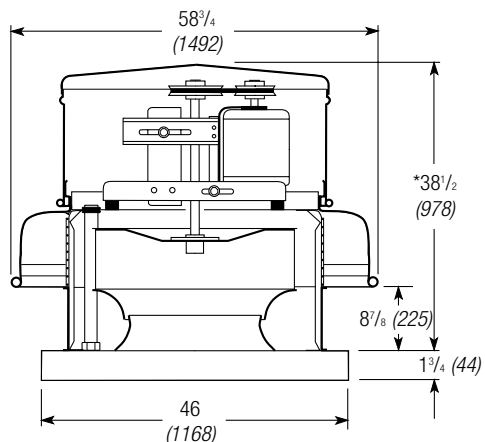
Performance certified is for installation Type A: Free inlet, Free outlet. Power rating (Bhp) does not include transmission losses. Performance ratings include the effects of a birdscreen. The sound ratings shown are loudness values in fan sones at 5 ft. (1.5 m) in a hemispherical free field calculated per AMCA Standard 301. Values shown are for installation Type A: Free inlet hemispherical sone levels.



Roof Exhaust Fans

Performance and Dimensional Data

XREB-360 - Belt Drive

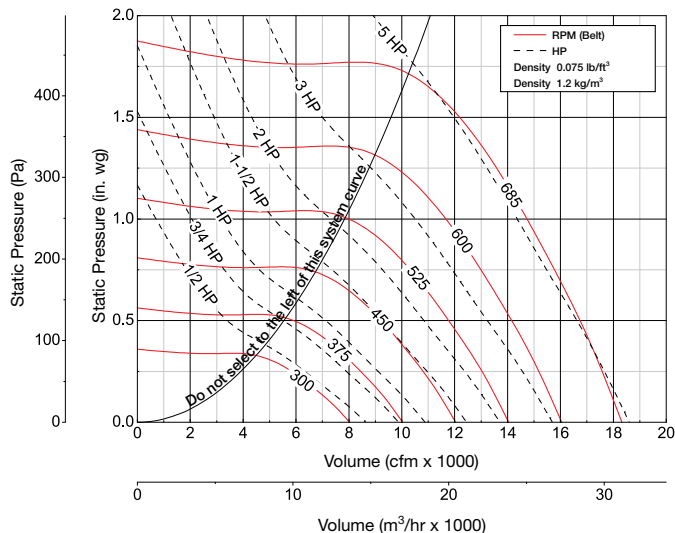


Damper Size = 36 x 36 (914 x 914)
 Roof Opening = 38 1/2 x 38 1/2 (978 x 978)
 Shroud Thickness = 0.080 (2.0)
 Motor Cover Thickness = 0.064 (1.6)
 Curb Cap Thickness = 0.080 (2.0)
 ^Approximate Unit Weight = 415 lbs. (188 kg)

All dimensions in inches (millimeters).

*May be greater depending on motor.

^Weight shown is largest cataloged Open Drip-Proof motor.



Motor HP	Fan RPM		Static Pressure (in. wg)										
			0	0.125	0.25	0.375	0.5	0.625	0.75	1	1.25	1.5	
360													
1/2	300	cfm	8024	7070	5804								
		Bhp	0.40	0.43	0.44								
		sones	7.6	6.6	5.6								
	325	cfm	8693	7830	6756	5001							
		Bhp	0.51	0.54	0.56	0.51							
		sones	8.7	7.7	6.8	5.6							
3/4	365	cfm	9763	9024	8109	7013							
		Bhp	0.72	0.76	0.79	0.78							
		sones	10.8	10.0	8.9	7.9							
1	410	cfm	10966	10330	9558	8686	7641						
		Bhp	1.02	1.07	1.11	1.12	1.11						
		sones	13.7	13.3	11.9	10.9	9.6						
1-1/2	460	cfm	12304	11737	11085	10360	9568	8607	7096				
		Bhp	1.45	1.50	1.55	1.58	1.59	1.56	1.46				
		sones	15.9	15.6	14.8	14.1	13.1	12.1	10.9				
	2	483	cfm	12919	12379	11776	11109	10355	9517	8488			
			Bhp	1.67	1.73	1.78	1.82	1.83	1.83	1.78			
			sones	17.0	16.7	16.1	15.5	14.8	13.7	12.9			
505	cfm	13507	12991	12431	11795	11096	10368	9473					
	Bhp	1.91	1.97	2.02	2.07	2.09	2.10	2.07					
	sones	18.1	17.8	17.3	16.8	16.5	15.5	14.7					
3	543	cfm	14524	14043	13551	12959	12350	11679	10965	8917			
		Bhp	2.38	2.44	2.5	2.55	2.59	2.60	2.60	2.46			
		sones	20	19.8	19.4	18.9	18.6	17.8	16.9	15.6			
	580	cfm	15513	15064	14614	14077	13523	12917	12289	10813			
		Bhp	2.90	2.96	3.03	3.09	3.14	3.17	3.18	3.13			
		sones	22	22	22	21	21	20	19.1	17.6			
5	633	cfm	16931	16519	16107	15654	15146	14639	14072	12892	11465		
		Bhp	3.77	3.84	3.91	3.98	4.04	4.10	4.12	4.13	4.05		
		sones	26	25	25	24	24	23	23	21	19.7		
	685	cfm	18322	17941	17560	17179	16711	16243	15774	14710	13535	12119	
		Bhp	4.77	4.85	4.93	5.01	5.07	5.14	5.20	5.23	5.21	5.10	
		sones	30	30	29	29	28	28	26	24	23	22	

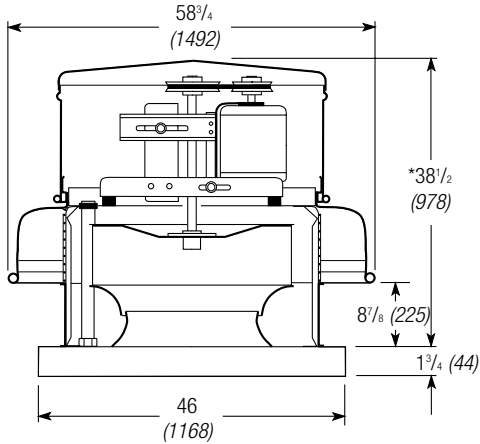
MAXIMUM Bhp AT A GIVEN RPM = (RPM/394)³
 MAXIMUM RPM = 685
 TIP SPEED (ft/min) = RPM x 9.425
 MAXIMUM MOTOR FRAME SIZE = 215T

Performance certified is for installation Type A: Free inlet, Free outlet. Power rating (Bhp) does not include transmission losses. Performance ratings include the effects of a birdscreen. The sound ratings shown are loudness values in fan sones at 5 ft. (1.5 m) in a hemispherical free field calculated per AMCA Standard 301. Values shown are for installation Type A: Free inlet hemispherical sone levels.

Roof Exhaust Fans

Performance and Dimensional Data

XREB-360HP - Belt Drive

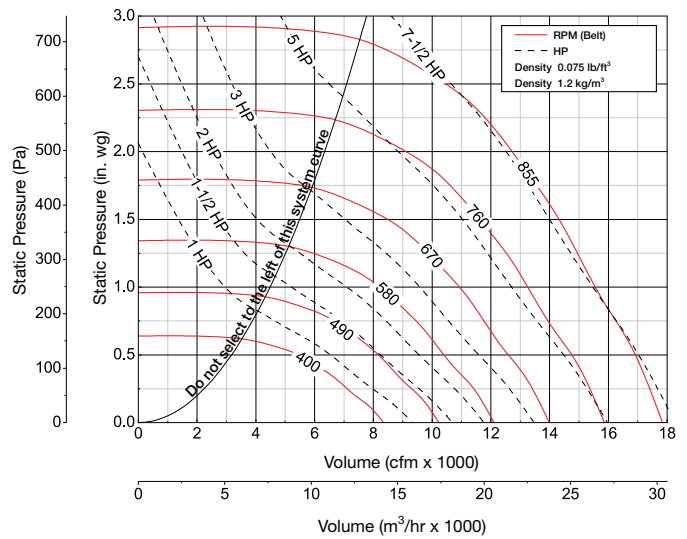


- Damper Size = 36 x 36 (914 x 914)
- Roof Opening = 38 1/2 x 38 1/2 (978 x 978)
- Shroud Thickness = 0.080 (2.0)
- Motor Cover Thickness = 0.064 (1.6)
- Curb Cap Thickness = 0.080 (2.0)
- ^Approximate Unit Weight = 460 lbs. (209 kg)

All dimensions in inches (millimeters).

*May be greater depending on motor.

^Weight shown is largest cataloged Open Drip-Proof motor.



Motor HP	Fan RPM	Static Pressure (in. wg)										
		0.5	0.75	1	1.25	1.5	1.75	2	2.25	2.5	2.75	
360HP												
1	420	cfm	6097									
		Bhp	0.91									
		sones	10.4									
1-1/2	500	cfm	6576	7000								
		Bhp	1.02	1.53								
		sones	10.8	12.5								
2	525	cfm	9061	7808	5650							
		Bhp	1.79	1.78	1.61							
		sones	14.7	13.6	12.7							
3	590	cfm	9681	8589	6998							
		Bhp	2.05	2.06	1.98							
		sones	16.0	14.8	14.2							
5	690	cfm	10657	9719	8495	6528						
		Bhp	2.50	2.57	2.52	2.32						
		sones	18.0	16.3	15.7	14.9						
7-1/2	803	cfm	11616	10772	9767	8525	6006					
		Bhp	3.01	3.11	3.10	3.04	2.63					
		sones	20	18.6	17.6	16.9	15.7					
7-1/2	855	cfm	13062	12259	11464	10468	9335	7159				
		Bhp	3.93	4.02	4.11	4.05	3.99	3.60				
		sones	24	22	21	20	19.2	18.1				
7-1/2	855	cfm	14487	13711	13002	12220	11282	10239	8513			
		Bhp	5.02	5.10	5.22	5.26	5.20	5.13	4.83			
		sones	27	25	24	24	23	22	21			
7-1/2	855	cfm	15728	14985	14309	13647	12863	11960	10986	9445		
		Bhp	6.13	6.22	6.33	6.46	6.44	6.37	6.30	6.01		
		sones	31	30	28	27	26	25	24	23		
7-1/2	855	cfm	16918	16236	15568	14946	14315	13544	12676	11761	10368	8273
		Bhp	7.37	7.47	7.58	7.71	7.82	7.76	7.69	7.61	7.32	6.63
		sones	35	33	33	31	29	29	27	27	26	25

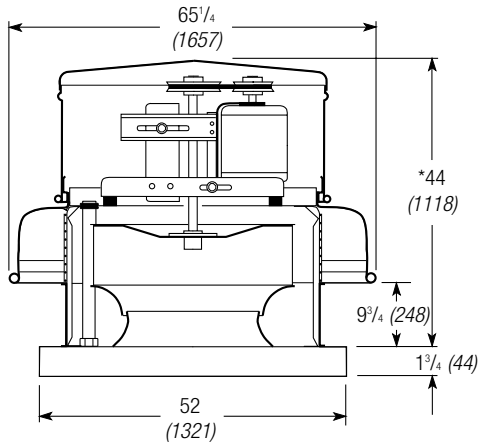
MAXIMUM Bhp AT A GIVEN RPM = (RPM/431)³
 MAXIMUM RPM = 855
 TIP SPEED (ft/min) = RPM x 9.425
 MAXIMUM MOTOR FRAME SIZE = 215T

Performance certified is for installation Type A: Free inlet, Free outlet. Power rating (Bhp) does not include transmission losses. Performance ratings include the effects of a birdscreen. The sound ratings shown are loudness values in fan sones at 5 ft. (1.5 m) in a hemispherical free field calculated per AMCA Standard 301. Values shown are for installation Type A: Free inlet hemispherical sone levels.

Roof Exhaust Fans

Performance and Dimensional Data

XREB-420 - Belt Drive

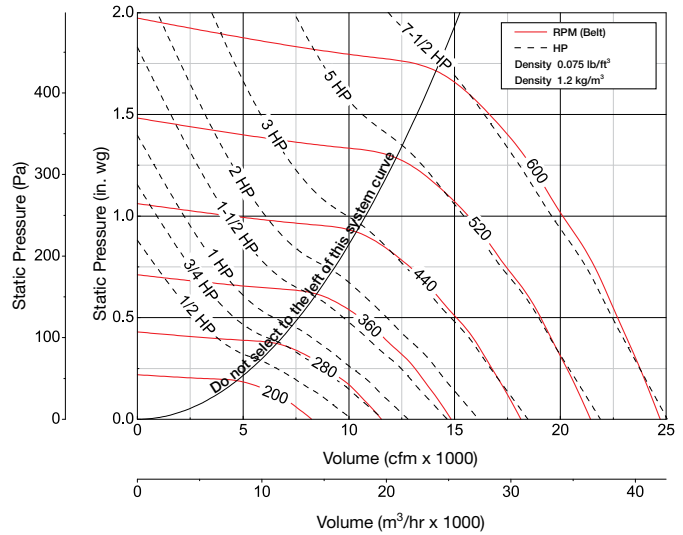


Damper Size = 42 x 42 (1067 x 1067)
 Roof Opening = 44 1/2 x 44 1/2 (1130 x 1130)
 Shroud Thickness = 0.080 (2.0)
 Motor Cover Thickness = 0.064 (1.6)
 Curb Cap Thickness = 0.100 (2.5)
 ^Approximate Unit Weight = 495 lbs. (225 kg)

All dimensions in inches (millimeters).

*May be greater depending on motor.

^Weight shown is largest cataloged Open Drip-Proof motor.



Motor HP	Fan RPM		Static Pressure (in. wg)									
			0	0.125	0.25	0.375	0.50	0.625	0.75	1.00	1.25	1.5
420												
1/2	200	cfm	8242	6454								
		Bhp	0.27	0.29								
		sones	3.1	2.9								
	240	cfm	9890	8573	6365							
		Bhp	0.46	0.50	0.48							
		sones	4.6	5.0	4.9							
3/4	275	cfm	11332	10219	8698							
		Bhp	0.69	0.75	0.76							
		sones	6.2	6.8	5.6							
1	305	cfm	12568	11579	10320	8672						
		Bhp	0.95	1.01	1.03	1.01						
		sones	8.0	8.4	7.5	7.2						
1-1/2	345	cfm	14217	13357	12411	11102	9463					
		Bhp	1.37	1.45	1.49	1.50	1.45					
		sones	11.7	11.3	10.8	10.1	9.6					
2	380	cfm	15659	14892	14043	12983	11787	10108				
		Bhp	1.83	1.92	1.97	2.00	2.00	1.91				
		sones	14.4	13.8	13.3	12.7	12.3	12.0				
3	435	cfm	17925	17264	16540	15792	14790	13764	12502			
		Bhp	2.74	2.86	2.93	2.97	2.99	3.00	2.95			
		sones	19.0	18.4	17.8	17.3	16.6	16.4	16.5			
5	475	cfm	19574	18968	18320	17640	16887	15929	14994	12315		
		Bhp	3.57	3.69	3.78	3.84	3.88	3.90	3.91	3.69		
		sones	22	21	20	19.8	19.3	18.6	18.3	18.3		
	515	cfm	21222	20663	20081	19459	18826	18046	17162	15254	12312	
		Bhp	4.55	4.68	4.80	4.87	4.92	4.95	4.98	4.92	4.56	
		sones	24	24	23	22	21	21	20	19.4	19.1	
7-1/2	558	cfm	22994	22478	21957	21383	20805	20219	19446	17835	15908	
		Bhp	5.79	5.93	6.07	6.15	6.22	6.28	6.31	6.34	6.21	
		sones	27	27	26	25	24	24	23	23	22	
	600	cfm	24725	24245	23765	23243	22709	22166	21621	20104	18585	16590
		Bhp	7.20	7.35	7.51	7.61	7.70	7.76	7.81	7.87	7.86	7.64
		sones	30	30	30	29	27	27	26	26	26	26

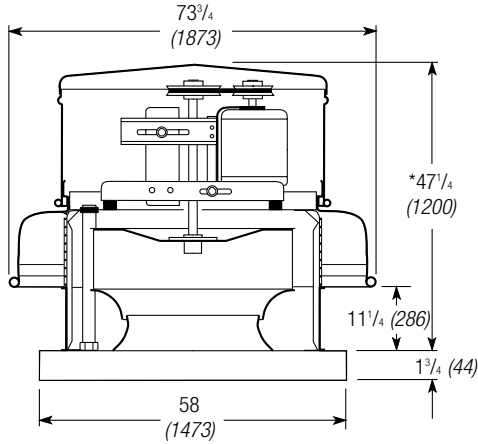
MAXIMUM Bhp AT A GIVEN RPM = (RPM/302)³
 MAXIMUM RPM = 600
 TIP SPEED (ft/min) = RPM x 11.061
 MAXIMUM MOTOR FRAME SIZE = 215T

Performance certified is for installation Type A: Free inlet, Free outlet. Power rating (Bhp) does not include transmission losses. Performance ratings include the effects of a birdscreen. The sound ratings shown are loudness values in fan sones at 5 ft. (1.5 m) in a hemispherical free field calculated per AMCA Standard 301. Values shown are for installation Type A: Free inlet hemispherical sone levels.

Roof Exhaust Fans

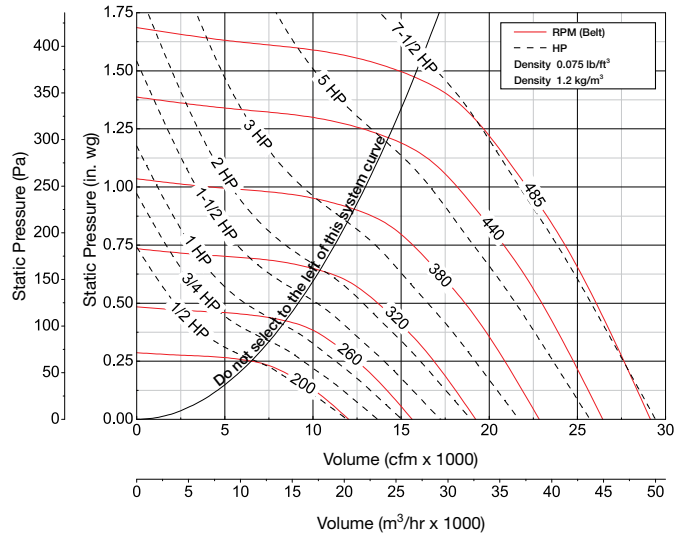
Performance and Dimensional Data

XREB-480 - Belt Drive



Damper Size = 48 x 48 (1219 x 1219)
 Roof Opening = 50 1/2 x 50 1/2 (1283 x 1283)
 Shroud Thickness = 0.080 (2.0)
 Motor Cover Thickness = 0.064 (1.6)
 Curb Cap Thickness = 0.100 (2.5)
 ^Approximate Unit Weight = 623 lbs. (283 kg)

All dimensions in inches (millimeters).
 *May be greater depending on motor.
 ^Weight shown is largest cataloged Open Drip-Proof motor.



Motor HP	Fan RPM		Static Pressure (in. wg)									
			0	0.125	0.25	0.375	0.5	0.625	0.75	0.875	1	1.25
480												
1/2	200	cfm	12020	10059	6529							
		Bhp	0.51	0.55	0.48							
		sones	7.3	6.6	7.3							
3/4	225	cfm	13522	11811	9500							
		Bhp	0.73	0.77	0.76							
		sones	8.3	8.0	7.6							
1	250	cfm	15025	13516	11662	8820						
		Bhp	1.00	1.05	1.06	0.98						
		sones	9.5	9.5	8.6	8.1						
1-1/2	285	cfm	17129	15830	14379	12517	9587					
		Bhp	1.48	1.54	1.58	1.56	1.42					
		sones	11.8	11.2	10.7	10.0	9.1					
2	310	cfm	18631	17437	16135	14589	12656					
		Bhp	1.90	1.97	2.02	2.02	1.97					
		sones	14.0	13.0	12.2	12.0	11.5					
3	360	cfm	21636	20608	19548	18385	17010	15420	13507			
		Bhp	2.98	3.06	3.13	3.17	3.17	3.21	3.00			
		sones	17.6	17.0	16.4	15.9	15.5	15.0	14.2			
5	393	cfm	23619	22678	21736	20683	19605	18254	16764	15086		
		Bhp	3.87	3.66	4.05	4.10	4.14	4.12	4.06	3.94		
		sones	20	19.9	19.5	18.8	18.3	18.0	17.5	16.7		
	415	cfm	24942	24050	23158	22189	21181	20012	18733	17211	15486	
		Bhp	4.56	4.65	4.75	4.81	4.85	4.86	4.84	4.74	4.58	
		sones	22	22	22	21	21	20	20	19.1	18.1	
425	cfm	25542	24672	23801	22868	21883	20799	19550	18156	16604		
	Bhp	4.90	4.99	5.09	5.16	5.20	5.22	5.20	5.13	5.00		
	sones	23	23	23	22	22	21	21	20	19.3		
7-1/2	455	cfm	27345	26532	25719	24886	23966	23046	21953	20786	19471	15870
		Bhp	6.01	6.11	6.22	6.31	6.36	6.41	6.41	6.38	6.30	5.85
		sones	27	27	27	26	26	25	25	24	24	21
	485	cfm	29149	28386	27623	26860	26016	25153	24290	23201	22106	19517
		Bhp	7.28	7.39	7.50	7.61	7.67	7.72	7.78	7.75	7.73	7.49
		sones	31	31	31	31	30	29	29	28	28	26

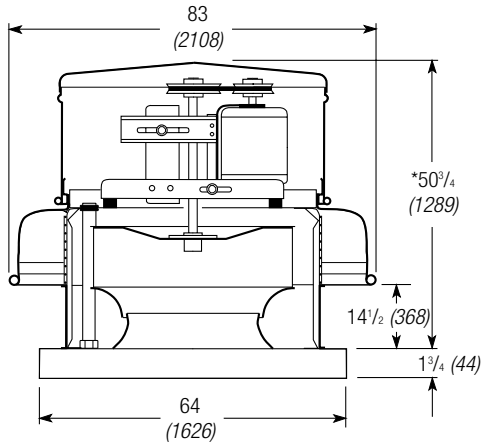
MAXIMUM Bhp AT A GIVEN RPM = (RPM/245)³
 MAXIMUM RPM = 485
 TIP SPEED (ft/min) = RPM x 12.632
 MAXIMUM MOTOR FRAME SIZE = 215T

Performance certified is for installation Type A: Free inlet, Free outlet. Power rating (Bhp) does not include transmission losses. Performance ratings include the effects of a birdscreen. The sound ratings shown are loudness values in fan sones at 5 ft. (1.5 m) in a hemispherical free field calculated per AMCA Standard 301. Values shown are for installation Type A: Free inlet hemispherical sone levels.

Roof Exhaust Fans

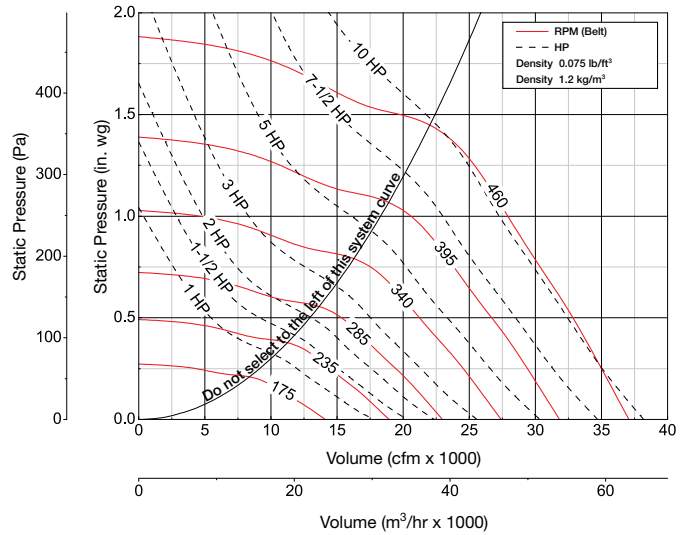
Performance and Dimensional Data

XREB-500 - Belt Drive



- Damper Size = 54 x 54 (1371 x 1371)
- Roof Opening = 56 1/2 x 56 1/2 (1435 x 1435)
- Shroud Thickness = 0.100 (2.5)
- Motor Cover Thickness = 0.064 (1.6)
- Curb Cap Thickness = 0.100 (2.5)
- ^Approximate Unit Weight = 687 lbs. (312 kg)

All dimensions in inches (millimeters).
 *May be greater depending on motor.
 ^Weight shown is largest cataloged Open Drip-Proof motor.



Motor HP	Fan RPM		Static Pressure (in. wg)									
			0	0.125	0.25	0.375	0.5	0.625	0.75	0.875	1	1.25
500												
1	175	cfm	14102	11123								
		Bhp	0.50	0.57								
	200	sones	6.7	6.5								
		cfm	16117	13588	10593							
	214	Bhp	0.75	0.85	0.83							
		sones	8.4	8.0	7.7							
1-1/2	245	cfm	17245	14939	12242							
		Bhp	0.92	1.04	1.04							
		sones	9.5	9.1	8.7							
2	269	cfm	19743	17749	15481	12983						
		Bhp	1.38	1.54	1.57	1.53						
		sones	11.9	11.5	11.0	10.7						
3	308	cfm	21677	19873	17857	15752						
		Bhp	1.83	2.02	2.06	2.08						
		sones	14.0	13.8	13.2	12.7						
5	337	cfm	24820	23263	21627	19752	17903	15284				
		Bhp	2.74	3.00	3.09	3.11	3.11	2.96				
		sones	17.7	17.4	16.9	16.2	15.8	15.6				
	366	cfm	27157	25739	24253	22614	20937	19206	16671			
		Bhp	3.59	3.89	4.01	4.06	4.08	4.06	3.88			
		sones	19.9	19.5	19.1	18.5	17.9	17.6	17.4			
7-1/2	419	cfm	29494	28188	26834	25429	23831	22310	20688	18366		
		Bhp	4.60	4.92	5.10	5.20	5.20	5.24	5.19	4.99		
		sones	22	22	21	21	20	19.8	19.5	19.4		
10	440	cfm	33764	32624	31467	30265	29015	27607	26276	24940	23486	
		Bhp	6.90	7.27	7.57	7.70	7.80	7.80	7.84	7.88	7.78	
		sones	27	27	27	26	26	25	24	24	23	
	460	cfm	35457	34371	33279	32134	30989	29679	28373	27107	25801	22407
		Bhp	8.00	8.38	8.74	8.87	9.01	9.03	9.05	9.10	9.09	8.73
		sones	30	29	29	29	29	28	27	26	26	25
460	cfm	37068	36030	34991	33900	32805	31625	30342	29127	27917	25310	
	Bhp	9.14	9.54	9.94	10.10	10.24	10.32	10.32	10.36	10.41	10.26	
	sones	32	32	32	32	32	31	30	29	28	27	

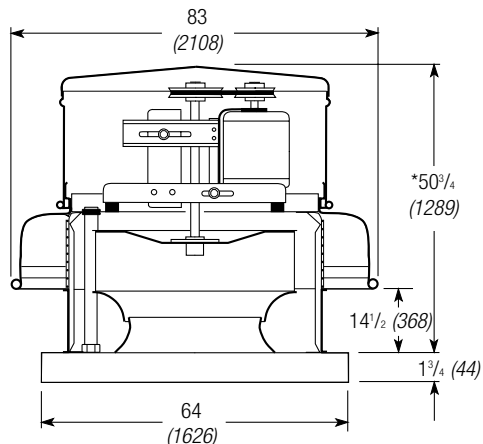
MAXIMUM Bhp AT A GIVEN RPM = (RPM/210)³
 MAXIMUM RPM = 460
 TIP SPEED (ft/min) = RPM x 14.137
 MAXIMUM MOTOR FRAME SIZE = 256T

Performance certified is for installation Type A: Free inlet, Free outlet. Power rating (Bhp) does not include transmission losses. Performance ratings include the effects of a birdscreen. The sound ratings shown are loudness values in fan sones at 5 ft. (1.5 m) in a hemispherical free field calculated per AMCA Standard 301. Values shown are for installation Type A: Free inlet hemispherical sone levels.

Roof Exhaust Fans

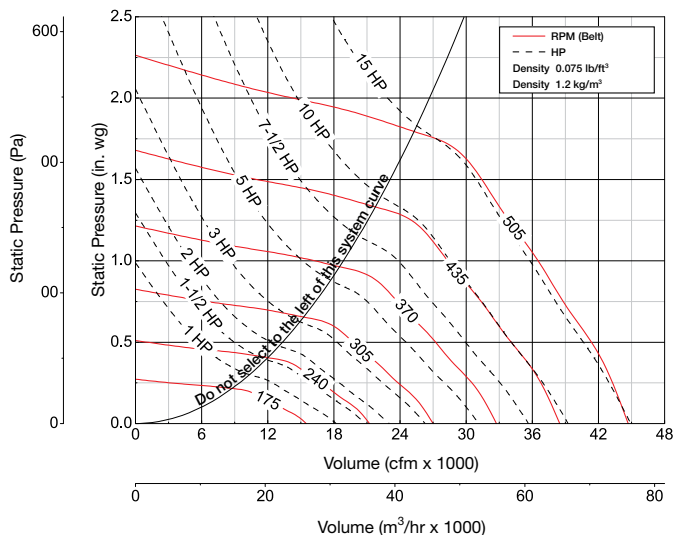
Performance and Dimensional Data

XREB-540 - Belt Drive



Damper Size = 54 x 54 (1371 x 1371)
 Roof Opening = 56 1/2 x 56 1/2 (1435 x 1435)
 Shroud Thickness = 0.100 (2.5)
 Motor Cover Thickness = 0.064 (1.6)
 Curb Cap Thickness = 0.100 (2.5)
 ^Approximate Unit Weight = 748 lbs. (339 kg)

All dimensions in inches (millimeters).
 *May be greater depending on motor.
 ^Weight shown is largest cataloged Open Drip-Proof motor.



Motor HP	Fan RPM		Static Pressure (in. wg)									
			0	0.125	0.25	0.375	0.5	0.75	1	1.25	1.5	1.75
540												
1	175	cfm	15488	1250								
		Bhp	0.61	0.65								
		sones	6.9	6.3								
	195	cfm	17258	14674	11068							
		Bhp	0.85	0.90	0.87							
		sones	7.8	7.5	7.2							
205	cfm	18143	15724	12632								
	Bhp	0.99	1.04	1.03								
	sones	8.3	8.2	8.1								
1-1/2	235	cfm	20798	18814	16229	12673						
		Bhp	1.49	1.57	1.56	1.50						
		sones	10.1	10.4	10.5	10.6						
2	259	cfm	22922	21228	18963	16439						
		Bhp	1.99	2.09	2.11	2.08						
		sones	12.3	12.1	11.9	11.6						
3	296	cfm	26197	24874	22870	20831	18610					
		Bhp	2.97	3.11	3.14	3.13	3.10					
		sones	16.2	15.6	15.3	15.0	14.3					
5	351	cfm	31064	30005	28492	26810	25115	21376				
		Bhp	4.96	5.13	5.21	5.24	5.23	5.15				
		sones	21	21	19.9	19.3	18.7	17.4				
7-1/2	402	cfm	35578	34653	33552	32075	30612	27519	24274			
		Bhp	7.45	7.65	7.80	7.84	7.87	7.82	7.73			
		sones	27	26	26	25	24	23	21			
10	442	cfm	39118	38277	37435	36109	34766	32131	29134	26111		
		Bhp	9.90	10.12	10.34	10.39	10.44	10.46	10.36	10.24		
		sones	32	32	32	32	32	28	27	26		
15	474	cfm	41950	41165	40381	39287	38034	35558	32927	30151	26271	
		Bhp	12.21	12.45	12.68	12.80	12.85	12.90	12.84	12.73	12.42	
		sones	36	36	37	36	35	33	31	30	28	
	505	cfm	44694	43957	43221	42332	41157	38813	36503	33869	31293	26758
		Bhp	14.77	15.02	15.27	15.45	15.51	15.60	15.60	15.48	15.36	14.84
		sones	40	40	40	40	39	38	36	35	32	30

MAXIMUM Bhp AT A GIVEN RPM = (RPM/202)³
 MAXIMUM RPM = 505
 TIP SPEED (ft/min) = RPM x 14.137
 MAXIMUM MOTOR FRAME SIZE = 256T

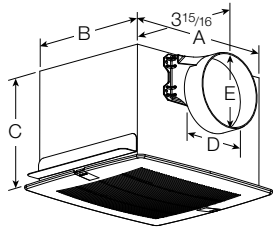
Performance certified is for installation Type A: Free inlet, Free outlet. Power rating (Bhp) does not include transmission losses. Performance ratings include the effects of a birdscreen. The sound ratings shown are loudness values in fan sones at 5 ft. (1.5 m) in a hemispherical free field calculated per AMCA Standard 301. Values shown are for installation Type A: Free inlet hemispherical sone levels.

Ceiling and Cabinet Fans

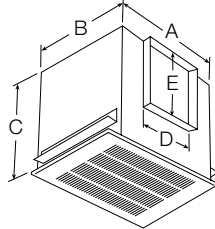
Performance and Dimensional Data

XCR-A

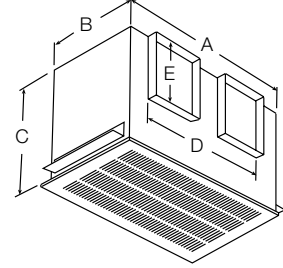
XCR-A50 - 90



XCR-A110 - 510
XCR-A710 and 780



XCR-A700
XCR-A900 thru 1550



Model	A	B	C	D	E	Standard Grille	Decorative Grille	Unit Wt.
50, 70, 90	13 ¹ / ₄	10 ⁵ / ₈	9	6 dia.		14 ⁷ / ₈ x 13 ¹ / ₄	15 ¹ / ₄ sq.	12
110, 125, 190	13 ¹ / ₄	10 ⁵ / ₈	9	8	6	14 ⁷ / ₈ x 13 ¹ / ₄	15 ¹ / ₄ sq.	17
200, 250, 290, 390	14	11 ⁷ / ₈	11 ¹ / ₄	8	8	14 ⁷ / ₈ x 13 ¹ / ₄	15 ¹ / ₄ sq.	24
410, 510	18	14 ³ / ₈	14 ¹ / ₂	8	8	19 ³ / ₈ x 16 ³ / ₈	-	31
700	23 ³ / ₈	11 ⁵ / ₈	11 ⁵ / ₈	19 ¹ / ₂	8	25 ¹ / ₈ x 13 ¹ / ₂	-	34
710, 780	18	14 ³ / ₈	14 ¹ / ₂	10	8	19 ³ / ₈ x 16 ³ / ₈	-	34
900, 1050, 1410, 1550	23 ³ / ₄	14 ³ / ₈	14 ¹ / ₂	18 ³ / ₄	8	25 x 16 ³ / ₈	-	56

Outlet connection width is 1 inch. Mounting bracket width is 1¹/₂ inch.
All dimensions are in inches and weight in pounds.

*Note: Amp draw is approximate and may vary based on motor manufacturer.

Model	Energy Star	RPM	amps*	Watts		cfm / Static Pressure (in. wg)									
						0	0.1	0.125	0.25	0.375	0.5	0.625	0.75	0.875	1
1,2,4 XCR-A50	☆	700	0.31	18.3	cfm	76	51	48	31						
					sones	0.5	0.7	0.8	1.3						
1,2,4 XCR-A70	☆	850	0.27	20.2	cfm	83	70	67	42						
					sones	0.8	0.8	0.8	1.6						
1,2,4 XCR-A90	☆	900	0.34	29.4	cfm	99	88	84	61	25					
					sones	0.8	1.0	0.9	1.2	1.4					
1,2,3,4,5 XCR-A110		950	0.58	48.7	cfm	119	110	106	88						
					sones	0.8	0.8	1.0	1.1						
1,2,4,5 XCR-A125		1100	0.62	52.5	cfm	135	123	121	104						
					sones	0.9	1.2	1.3	1.3						
1,2,3,4,5 XCR-A190		1400	1.30	113	cfm	216	197	192	167	133					
					sones	2.5	2.5	2.5	2.5	2.5					
1,2,4 XCR-A200	☆	900	0.43	48.2	cfm	247	225	220	196	172	142	105	67		
					sones	1.4	2.0	2.0	2.5	3.0	3.5	3.5	4.0		
1,2,4 XCR-A250	☆	1000	0.77	83.1	cfm	272	251	246	227	210	185	157	119		
					sones	2.5	2.5	2.5	2.5	3.5	4.0	4.0	4.0		
1,2,3,4 XCR-A290	☆	1050	0.72	80.7	cfm	315	293	287	257	231	207	175	124		
					sones	2.5	2.5	2.5	3.0	3.0	3.5	3.5	4.5		
1,2,3,4 XCR-A390		1350	1.34	135	cfm	410	395	391	368	345	325	307	279		
					sones	4.5	4.5	4.5	4.5	5.0	5.0	5.5	5.5		
2 XCR-A410	☆	1000	1.74	121	cfm	443	413	405	351	306					
					sones	3.5	3.0	3.0	3.0	3.5					
2,3 XCR-A510		1070	3.30	224	cfm	557	512	501	439	392	325				
					sones	5.0	4.5	4.5	4.5	4.5	4.0				
2 XCR-A700		1100	3.20	350	cfm	757	730	723	700	679	649	613	560	494	396
					sones	5.0	5.0	5.0	5.5	5.5	6.0	6.0	6.5	6.5	6.5
2 XCR-A710		1080	4.40	285	cfm	752	714	701	653	588	486	320			
					sones	6.0	6.0	6.0	6.0	6.0	5.5	5.5			
2,3 XCR-A780		1600	3.30	348	cfm	812	782	775	741	704	665	625	581		
					sones	8.5	8.5	8.5	8.0	8.0	8.0	8.0	8.0		
2 XCR-A900		950	4.00	285	cfm	955	907	896	841	773	701				
					sones	4.0	5.0	5.0	5.0	5.0	5.0				
2,3 XCR-A1050		1095	6.30	420	cfm	1125	1059	1043	964	885	796	662			
					sones	6.0	6.0	6.0	6.0	5.5	5.5	5.5			
2 XCR-A1410		1450	7.40	786	cfm	1455	1415	1404	1353	1307	1262	1218	1174		
					sones	10.0	10.0	10.0	10.0	10.0	10.0	10.0	10.0		
2,3 XCR-A1550		1610	8.60	818	cfm	1607	1558	1558	1506	1449	1407	1369	1323		
					sones	10.5	10.0	10.0	10.0	10.0	10.5	11.5	13.0		

¹ Available with light

² Available with ceiling radiation damper (CRD)

³ Available with 50 Hz motor

⁴ UL Listed for use above tubs

⁵ Available with 277 volt motor

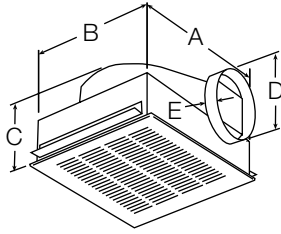
Performance certified is for model XCR exhaust for installation type B: Free inlet, Ducted outlet. Performance ratings include the effects of an inlet grille and backdraft damper. Speed (rpm) shown is nominal. Performance is based on actual speed of test. The sound ratings shown are loudness values in spherical fan sones at 5 ft (1.5m) in a spherical free field calculated per Annex B of AMCA 311. Values shown are for installation type B: free inlet spherical fan sone levels.

Ceiling and Cabinet Fans

Performance and Dimensional Data

XCR-B and XCR-C

XCR-B



Model	A	B	*C	D	E	Standard Grille	Decorative Grille	Unit Wt.
50, 70, 80	13 ³ / ₈	11 ¹ / ₂	7	6	1 ¹ / ₄	14 ⁷ / ₈ x 13 ¹ / ₄	15 ¹ / ₄ sq.	9
90, 110, 150, 200	13 ³ / ₈	11 ¹ / ₂	7	6	1 ¹ / ₄	14 ⁷ / ₈ x 13 ¹ / ₄	15 ¹ / ₄ sq.	10

*Add 1¹/₂ inches to C dimension for incandescent light.
Mounting bracket width is 1¹/₂ inch
All dimensions are in inches.

*Note: Amp draw is approximate and may vary based on motor manufacturer.

Model	Energy Star	RPM	amps*	Watts		cfm / Static Pressure (in. wg)									
						0	0.1	0.125	0.25	0.375	0.5	0.625	0.75	0.875	1
1,2,4 XCR-B50	☆	625	0.50	37.8	cfm	67	54	51	40	29					
					sones	1.2	1.4	1.4	2.0	3.0					
1,2,4 XCR-B70	☆	675	0.53	45.1	cfm	77	71	68	57	49	39				
					sones	1.2	1.4	1.4	2.0	2.5	3.0				
1,2,4 XCR-B80	☆	900	0.60	54.3	cfm	87	80	78	68	61	54	44	30		
					sones	2.0	2.0	2.5	2.5	3.0	3.5	4.5	4.5		
1,2,3,4 XCR-B90	☆	700	0.65	49.7	cfm	101	89	88	75	59	45	30			
					sones	1.5	2.0	2.0	2.5	3.0	3.5	4.0			
1,2,3,4,5 XCR-B110		950	1.14	80.2	cfm	133	114	110	97	95	94	91	85	72	50
					sones	1.5	1.5	1.5	2.0	2.0	2.0	3.0	3.5	4.0	4.5
1,2,3,4,5 XCR-B150		1050	1.70	128	cfm	160	156	155	154	152	149	147	138	123	92
					sones	2.5	2.5	2.5	3.0	3.5	3.5	4.0	4.5	4.5	5.0
2,3,4,5 XCR-B200		1100	2.20	172	cfm	197	195	194	191	187	184	181	166	151	128
					sones	3.5	4.0	4.0	4.5	4.5	5.0	5.0	5.5	5.5	5.5

¹ Available with light

³ Available with 50 Hz motor

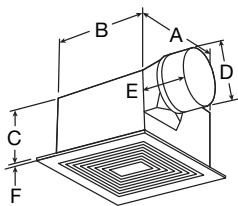
⁵ Available with 277 volt motor

² Available with ceiling radiation damper (CRD)

⁴ UL Listed for use above tubs

Performance certified is for model XCR exhaust for installation type B: Free inlet, Ducted outlet. Performance ratings include the effects of an inlet grille and backdraft damper. Speed (rpm) shown is nominal. Performance is based on actual speed of test. The sound ratings shown are loudness values in spherical fan sones at 5 ft (1.5m) in a spherical free field calculated per Annex B of AMCA 311. Values shown are for installation type B: free inlet spherical fan sone levels.

XCR-C



Model	A	B	C	D	E	F	Grille	Wt.
50	7 ¹ / ₂	7 ¹ / ₂	3 ⁵ / ₈	3	1 ¹ / ₈	1/2	9 ¹ / ₄ x 9	5

All dimensions are in inches.

*Note: Amp draw is approximate and may vary based on motor manufacturer.

Model	RPM	amps*	Watts		cfm / Static Pressure (in. wg)						
					0	0.1	0.125	0.25	0.375	0.5	0.625
XCR-C50	1680	0.80	46	cfm	52	49	48	46	43	37	29
				sones	2.9	3.6	3.6	3.9	4.2	4.8	6.3

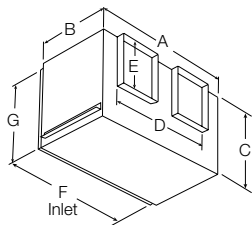
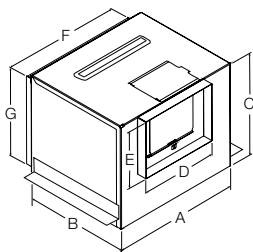
Performance certified is for model XCR exhaust for installation type B: Free inlet, Ducted outlet. Performance ratings include the effects of an inlet grille and backdraft damper. Speed (rpm) shown is nominal. Performance is based on actual speed of test. The sound ratings shown are loudness values in spherical fan sones at 5 ft (1.5m) in a spherical free field calculated per Annex B of AMCA 311. Values shown are for installation type B: free inlet spherical sone levels.

Ceiling and Cabinet Fans

Performance and Dimensional Data

XIR-A

XIR-A110 thru 510 XIR-A700 thru 3600



Model	A	B	C	D	E	F	G	Wt.
110, 125, 190	13¼	10⅝	9	8	6	12	9¼	16
200,250, 290, 390	14	11⅞	11¼	8	8	12⅞	10	23
410, 510	18	14⅞	14½	8	8	16⅞	13¼	36
700	23⅞	11⅞	11⅞	19½	8	22⅞	10½	34
710, 780	18	14⅞	14½	10	8	16⅞	13¼	36
900, 1050, 1410, 1550	23¾	14⅞	14½	18¾	8	22⅞	13¼	59
1750, 2150	35	14¾	14¾	28	6	32¾	13	68
3600	45½	16½	16½	40	11	43¼	14⅞	122

Inlet and outlet connections widths are 1 inch

Mounting bracket width is 1½ inch

All dimensions are in inches and weight in pounds.

*Note: Amp draw is approximate and may vary based on motor manufacturer.

Model	RPM	amps*	Watts		cfm / Static Pressure (in. wg)										
					0	0.1	0.125	0.25	0.375	0.5	0.625	0.75	0.875	1	
³ XIR-A110	950	0.62	48.7	cfm	124	112	110	102	77						
				sones	0.8	0.8	0.8	0.9	0.9						
⁵ XIR-A125	1100	0.63	52.5	cfm	138	126	124	114	91						
				sones	1.1	1.1	1.1	1.0	1.2						
^{3,5} XIR-A190	1400	1.10	100	cfm	215	202	198	180	159	121					
				sones	2.0	1.5	2.0	2.0	2.5	2.5					
XIR-A200	900	0.43	48.2	cfm	254	231	226	203	178	145	109	70			
				sones	0.6	0.4	0.5	0.9	1.0	1.3	1.5	1.5			
XIR-A250	1000	0.79	82.7	cfm	266	246	241	221	205	187	165	132			
				sones	0.9	1.0	1.0	2.0	2.5	3.0	2.5	2.5			
XIR-A290	1050	0.71	80.7	cfm	318	299	292	265	248	229	201	144			
				sones	1.1	1.2	1.3	2.0	2.5	3.5	3.0	3.0			
³ XIR-A390	1350	1.33	140	cfm	412	400	397	382	363	339	324	309			
				sones	2.0	2.0	2.0	2.5	3.0	4.0	4.5	4.5			
XIR-A410	1000	1.87	135	cfm	447	441	403	364	317	217					
				sones	1.5	1.5	1.5	2.0	2.0	2.0					
XIR-A510	1070	3.11	217	cfm	545	514	506	464	405	324					
				sones	2.5	2.0	2.0	2.0	2.0	2.5					
XIR-A700	1100	3.20	350	cfm	766	755	752	739	726	702	678	635	549	418	
				sones	2.0	2.0	2.0	2.0	2.0	2.0	2.0	2.5	2.5	4.0	
XIR-A710	1080	4.40	325	cfm	737	698	688	635	567	475	334				
				sones	2.5	2.5	2.5	2.5	2.0	2.0	2.0				
³ XIR-A780	1600	3.77	405	cfm	813	784	777	742	707	672	638	603	567	527	
				sones	3.0	3.0	3.0	3.0	3.0	2.0	3.0	3.0	3.0	3.5	
XIR-A900	950	4.87	328	cfm	908	852	841	782	715	631					
				sones	1.4	1.4	1.4	2.0	2.5	3.0					
³ XIR-A1050	1095	6.65	455	cfm	1182	1110	1093	1013	922	832	743				
				sones	2.5	2.5	2.5	2.5	2.5	2.5					
XIR-A1410	1450	7.80	822	cfm	1584	1543	1533	1483	1439	1395	1345	1293	1238	1181	
				sones	3.5	3.5	3.5	3.5	3.5	3.5	3.5	3.5	3.5	4.0	4.0
³ XIR-A1550	1610	8.32	830	cfm	1672	1618	1604	1543	1484	1427	1367	1307	1240	1172	
				sones	5.0	4.5	4.5	4.5	4.5	4.0	4.0	4.5	4.5	4.5	4.5
XIR-A1750	1130	6.60	550	cfm	1842	1768	1749	1619	1464	1284	1032	772	484		
				sones	5.0	5.0	5.0	4.5	4.0	4.0	3.5	3.0	3.0		
XIR-A2150	1100	7.80	735	cfm	2249	2175	2156	2044	1900	1701	1424	1114			
				sones	5.0	4.5	4.5	4.0	4.0	4.0	3.0	3.0			
XIR-A3600	1100	7.10	1330	cfm	3778	3653	3622	3460	3280	3091	2844	2551	2232	1750	
				sones	5.0	5.0	5.0	5.0	4.5	4.0	4.0	4.0	3.5	3.5	

³ Available with 50 Hz motor

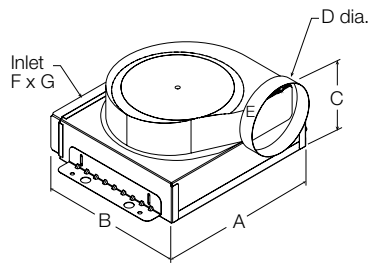
⁵ Available with 277 volt motor

Performance certified is for model XIR inline for installation type D: Ducted inlet, Ducted outlet. Performance ratings include the effects of a backdraft damper. Speed (rpm) shown is nominal. Performance is based on actual speed of test. The sound ratings shown are loudness values in spherical fan sones at 5 ft (1.5m) in a spherical free field calculated per Annex B of AMCA 311. Values shown are for installation type D: ducted inlet spherical fan sone levels. Ratings do not include the effect of duct end correction. Ratings are based on 10 ft of insulated duct. The AMCA Certified Ratings Seal applies to air performance ratings only.

Ceiling and Cabinet Fans

Performance and Dimensional Data

XIR-B



Model	A	B	C	D	E	F	G	Wt.
110, 150, 200	13 ⁷ / ₈	11 ¹ / ₂	7 ¹⁵ / ₁₆	6	1 ¹ / ₄	10 ¹ / ₄	3 ³ / ₄	10 ¹ / ₄

Outlet connection width is 1 inch
 Mounting bracket width is 1¹/₂ inch
 All dimensions are in inches and weight in pounds

*Note: Amp draw is approximate and may vary based on motor manufacturer.

Model	RPM	amps*	Watts		cfm / Static Pressure (in. wg)							
					0	0.1	0.125	0.25	0.375	0.5	0.625	0.75
^{3,5} XIR-B110	950	1.14	80	cfm	103	100	100	98	97	96	94	86
				sones	1.5	1.5	1.5	2.0	2.0	2.0	2.5	2.5
^{3,5} XIR-B150	1050	1.70	129	cfm	151	150	149	148	144	146	142	135
				sones	2.0	2.0	2.0	2.0	2.5	2.5	3.0	3.0
^{3,5} XIR-B200	1100	2.20	173	cfm	186	184	184	182	181	179	175	170
				sones	3.0	3.0	3.0	3.0	3.5	3.5	3.5	3.5

³ Available with 50 Hz motor

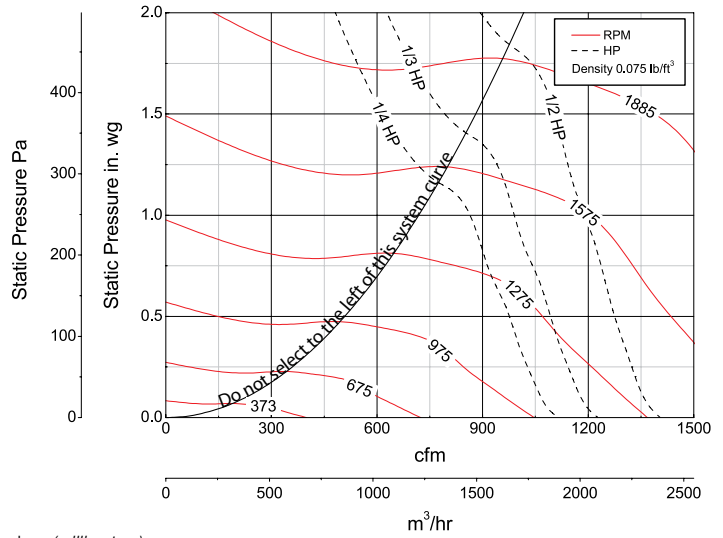
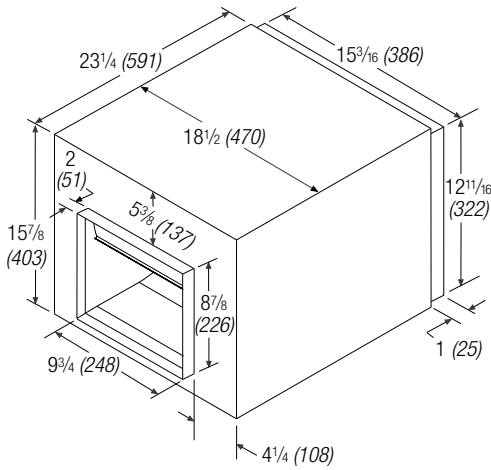
⁵ Available with 277 volt motor

Performance certified is for model XIR inline for installation type D: Ducted inlet, Ducted outlet. Performance ratings include the effects of a backdraft damper. Speed (rpm) shown is nominal. Performance is based on actual speed of test. The sound ratings shown are loudness values in spherical fan sones at 5 ft (1.5m) in a spherical free field calculated per Annex B of AMCA 311. Values shown are for installation type D: ducted inlet spherical fan sone levels. Ratings do not include the effect of duct end correction. Ratings are based on 10 ft of insulated duct. The AMCA Certified Ratings Seal applies to air performance ratings only.

Duct Fans

Performance and Dimensional Data

XIFB-80



Damper Size (Outlet Side) = 9³/₄ x 8⁷/₈ (248 x 225)
 Housing Thickness = 20 ga.
 ^Approximate Unit Weight = 70 lb. (32 kg)

All dimensions in inches (millimeters).
 ^Weight shown is largest cataloged Open Drip Proof motor.

Model Number	Fan CFM		Static Pressure in Inches wg																					
			0.125	0.25	0.375	0.5	0.625	0.75	1	1.25	1.5	1.75												
XIFB-80	300	RPM	511																					
		Bhp	0.01																					
		sones	4.6																					
	400	RPM	546	717																				
		Bhp	0.02	0.03																				
		sones	4.4	4.7																				
	500	RPM	610	745	881																			
		Bhp	0.03	0.04	0.05																			
		sones	4.2	5.0	6.1																			
	600	RPM	691	791	908	1022	1126																	
		Bhp	0.05	0.06	0.08	0.09	0.11																	
		sones	4.9	5.6	6.6	7.2	7.9																	
	700	RPM	772	857	949	1051	1149	1244																
		Bhp	0.08	0.09	0.11	0.12	0.13	0.15																
		sones	5.8	6.4	7.1	7.6	8.4	9.5																
	800	RPM	855	937	1006	1092	1181	1269	1435															
		Bhp	0.11	0.13	0.14	0.16	0.17	0.19	0.23															
		sones	6.7	7.4	7.7	8.1	9.0	10.1	12.3															
	900	RPM	939	1019	1084	1148	1224	1301	1457	1605	1738													
		Bhp	0.16	0.18	0.19	0.21	0.23	0.24	0.27	0.33	0.38													
		sones	7.7	8.3	8.6	9.0	9.7	10.8	12.9	15.2	15.5													
	1000	RPM	1024	1100	1165	1220	1280	1348	1490	1628	1762	1884												
		Bhp	0.21	0.23	0.25	0.27	0.28	0.31	0.34	0.38	0.44	0.50												
		sones	9.0	9.4	9.7	10.0	10.8	11.7	13.7	15.5	15.8	16.2												
1100	RPM	1111	1183	1246	1300	1350	1405	1526	1660	1784														
	Bhp	0.28	0.30	0.32	0.34	0.36	0.38	0.42	0.46	0.50														
	sones	10.3	10.8	11.1	11.4	12.0	12.6	14.6	15.9	16.2														
1200	RPM	1198	1266	1327	1382	1430	1475	1582																
	Bhp	0.36	0.38	0.40	0.43	0.45	0.47	0.51																
	sones	11.9	12.5	12.7	12.7	13.2	13.8	15.7																
1300	RPM	1287	1351	1409																				
	Bhp	0.45	0.48	0.50																				
	sones	13.5	14.0	13.9																				

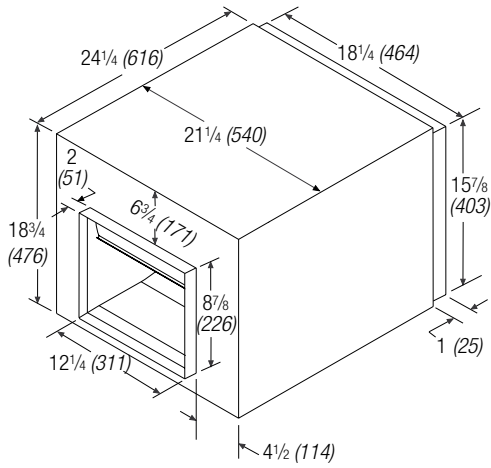
MAXIMUM RPM = 1885
 TIP SPEED = RPM x 2.356
 MAXIMUM MOTOR FRAME SIZE = 56
 AVERAGE OUTLET VELOCITY = CFM/0.654

Performance certified is for installation type D: Ducted inlet, Ducted outlet. Power rating (bhp/kW) does not include transmission losses. Performance ratings do not include the effects of appurtenances (accessories).
 The sound ratings shown are loudness values in fan sones at 5 ft. (1.5m) from the test inlet duct in a hemispherical free field calculated per AMCA Standard 301. Values shown are for installation type D: ducted inlet, ducted outlet. Ratings do not include the effects of duct end connection.

Duct Fans

Performance and Dimensional Data

XIFB-90



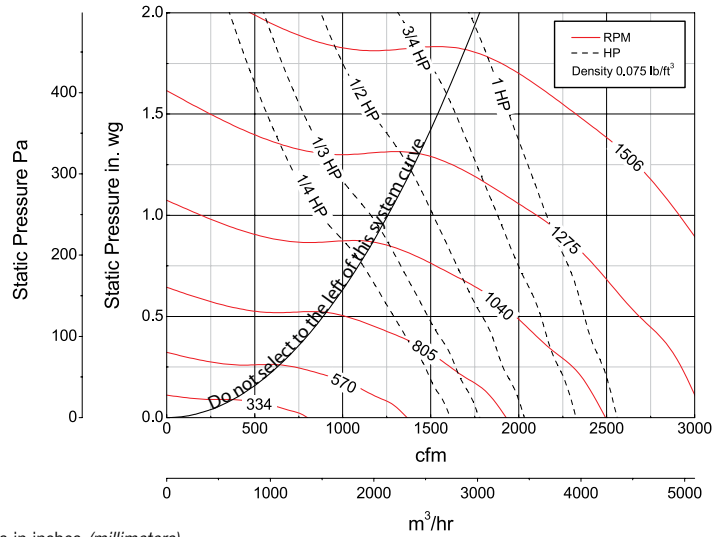
Damper Size (Outlet Side) = 12 1/4 x 10 1/2 (311 x 267)

Housing Thickness = 20 ga.

^Approximate Unit Weight = 91 lb. (41 kg)

All dimensions in inches (millimeters).

^Weight shown is largest cataloged Open Drip Proof motor.



Model Number	Fan CFM		Static Pressure in Inches wg																					
			0.125	0.25	0.375	0.5	0.625	0.75	1	1.25	1.5	1.75												
XIFB-90	800	RPM	465	584	689																			
		Bhp	0.05	0.07	0.09																			
		sones	3.9	4.1	5.5																			
	970	RPM	514	619	713	802																		
		Bhp	0.08	0.10	0.12	0.15																		
		sones	4.5	5.0	6.4	8.2																		
	1140	RPM	569	660	748	827	905	975																
		Bhp	0.11	0.14	0.17	0.20	0.23	0.26																
		sones	5.2	6.0	7.5	8.8	9.6	10.7																
	1310	RPM	626	708	787	863	932	1000	1125															
		Bhp	0.16	0.19	0.23	0.26	0.29	0.33	0.40															
		sones	6.6	7.3	8.9	9.4	10.2	11.2	13.5															
	1480	RPM	684	761	830	901	968	1030	1150	1260														
		Bhp	0.22	0.25	0.29	0.33	0.37	0.41	0.49	0.57														
		sones	8.0	8.9	9.6	10.2	10.9	11.8	13.9	15.9														
	1650	RPM	744	817	881	943	1006	1066	1178	1285	1385													
		Bhp	0.30	0.34	0.38	0.42	0.46	0.50	0.59	0.68	0.77													
		sones	9.6	10.1	10.5	11.1	11.8	12.6	14.5	16.5	16.9													
	1820	RPM	805	874	934	991	1048	1106	1213	1312	1409	1501												
		Bhp	0.39	0.44	0.47	0.52	0.57	0.61	0.71	0.80	0.90	1.00												
		sones	11.3	11.2	11.5	12.2	12.8	13.6	15.3	17.0	17.4	17.5												
	1990	RPM	872	932	990	1044	1095	1147	1250	1347	1436													
		Bhp	0.51	0.56	0.60	0.64	0.69	0.74	0.84	0.95	1.04													
		sones	12.4	12.5	12.8	13.4	14.1	14.7	16.2	17.6	18.0													
2160	RPM	940	991	1047	1098	1147	1193	1291																
	Bhp	0.64	0.69	0.74	0.78	0.83	0.89	1.00																
	sones	13.8	14.0	14.3	14.8	15.4	16.0	17.3																
2330	RPM	1008	1051	1105	1154	1200																		
	Bhp	0.80	0.85	0.91	0.95	1.00																		
	sones	15.4	15.7	16.0	16.3	16.8																		
2500	RPM	1077	1112																					
	Bhp	0.98	1.02																					
	sones	17.3	17.4																					

MAXIMUM RPM = 1506
 TIP SPEED = RPM x 2.602
 MAXIMUM MOTOR FRAME SIZE = 143T
 AVERAGE OUTLET VELOCITY = CFM/0.899

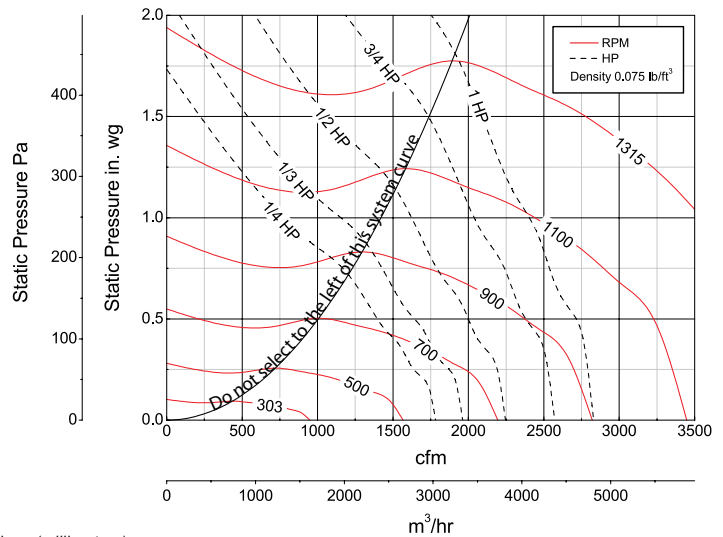
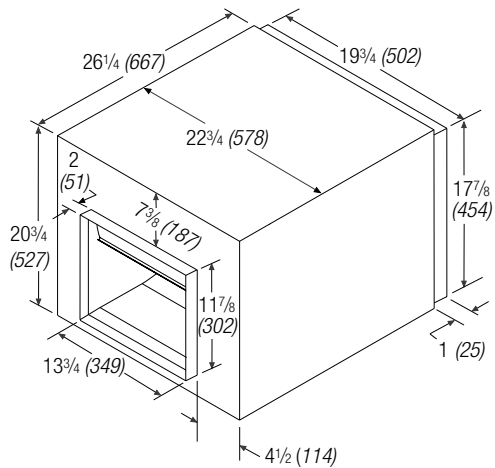
Performance certified is for installation type D: Ducted inlet, Ducted outlet. Power rating (bhp/kW) does not include transmission losses. Performance ratings do not include the effects of appurtenances (accessories).

The sound ratings shown are loudness values in fan sones at 5 ft. (1.5m) from the test inlet duct in a hemispherical free field calculated per AMCA Standard 301. Values shown are for installation type D: ducted inlet, ducted outlet. Ratings do not include the effects of duct end connection.

Duct Fans

Performance and Dimensional Data

XIFB-100



Damper Size (Outlet Side) = 13³/₄ x 11⁷/₈ (349 x 302)

Housing Thickness = 20 ga.

^Approximate Unit Weight = 106 lb. (48 kg)

All dimensions in inches (millimeters).

^Weight shown is largest cataloged Open Drip Proof motor.

Model Number	Fan CFM		Static Pressure in Inches wg																					
			0.125	0.25	0.375	0.5	0.625	0.75	1	1.25	1.5	1.75												
XIFB-100	800	RPM	380	501																				
		Bhp	0.04	0.06																				
		sones	3.6	4.8																				
	1000	RPM	413	521	615																			
		Bhp	0.06	0.09	0.12																			
		sones	4.0	5.0	5.9																			
	1200	RPM	453	548	635	715	785																	
		Bhp	0.09	0.13	0.16	0.19	0.23																	
		sones	4.8	5.4	6.2	6.8	7.3																	
	1400	RPM	498	581	660	735	804	869																
		Bhp	0.14	0.17	0.21	0.25	0.29	0.33																
		sones	6.0	6.1	6.7	7.4	7.9	8.6																
	1600	RPM	548	620	691	760	825	887	1002	1104														
		Bhp	0.19	0.24	0.27	0.32	0.37	0.41	0.50	0.58														
		sones	7.6	7.4	7.4	8.1	8.7	9.7	10.9	12.5														
	1800	RPM	605	662	728	791	851	909	1020	1121	1212													
		Bhp	0.27	0.31	0.36	0.40	0.45	0.50	0.60	0.70	0.79													
		sones	9.7	8.6	8.5	8.9	9.8	10.6	11.7	13.3	14.1													
	2000	RPM	666	710	768	826	882	937	1041	1139	1231	1314												
		Bhp	0.37	0.40	0.45	0.50	0.55	0.61	0.72	0.83	0.94	1.05												
		sones	10.9	9.9	9.7	10.2	11.2	11.6	12.6	13.9	14.9	15.9												
	2200	RPM	728	760	810	864	917	968	1065	1160														
		Bhp	0.49	0.51	0.56	0.63	0.68	0.73	0.86	0.98														
		sones	12.2	11.4	11.1	11.7	12.3	12.6	13.5	14.7														
2400	RPM	789	812	857	906	954	1002	1096																
	Bhp	0.63	0.65	0.69	0.76	0.83	0.88	1.01																
	sones	13.6	13.1	12.9	13.3	13.5	13.8	14.6																
2600	RPM	851	872	907	948	995																		
	Bhp	0.80	0.82	0.85	0.91	0.99																		
	sones	15.1	14.7	14.7	14.6	14.9																		
2800	RPM	914	933	957																				
	Bhp	0.99	1.01	1.04																				
	sones	16.6	16.4	16.3																				

MAXIMUM RPM = 1315
 TIP SPEED = RPM x 2.913
 MAXIMUM MOTOR FRAME SIZE = 143T
 AVERAGE OUTLET VELOCITY = CFM/1.05

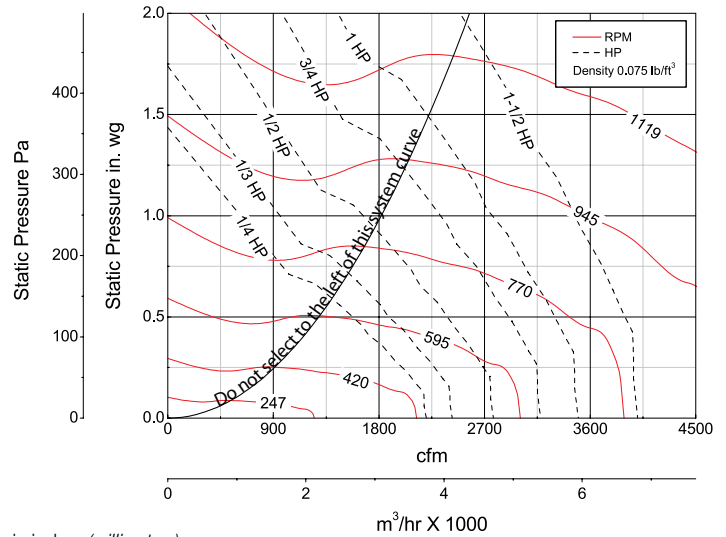
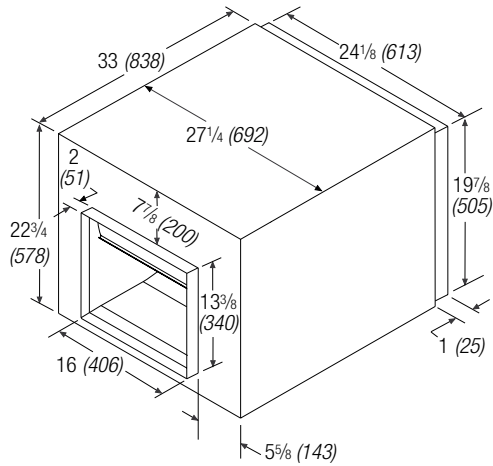
Performance certified is for installation type D: Ducted inlet, Ducted outlet. Power rating (bhp/kW) does not include transmission losses. Performance ratings do not include the effects of appurtenances (accessories).
 The sound ratings shown are loudness values in fan sones at 5 ft. (1.5m) from the test inlet duct in a hemispherical free field calculated per AMCA Standard 301. Values shown are for installation type D: ducted inlet, ducted outlet. Ratings do not include the effects of duct end connection.



Duct Fans

Performance and Dimensional Data

XIFB-120



Damper Size (Outlet Side) = 16 x 13³/₈ (406 x 340)

Housing Thickness = 20 ga.

^Approximate Unit Weight = 142 lb. (64 kg)

All dimensions in inches (millimeters).

^Weight shown is largest cataloged Open Drip Proof motor.

Model Number	Fan CFM		Static Pressure in Inches wg																					
			0.125	0.25	0.375	0.5	0.625	0.75	1	1.25	1.5	1.75												
XIFB-120	1000	RPM	313	420																				
		Bhp	0.05	0.08																				
		sones	3.0	4.2																				
	1300	RPM	338	437	518	593																		
		Bhp	0.07	0.11	0.15	0.20																		
		sones	3.3	5.1	5.6	5.6																		
	1600	RPM	370	456	535	604	666	726																
		Bhp	0.12	0.16	0.21	0.26	0.31	0.37																
		sones	4.3	6.3	6.2	6.3	7.1	8.4																
	1900	RPM	408	483	554	621	680	737	839															
		Bhp	0.18	0.23	0.28	0.34	0.39	0.45	0.58															
		sones	5.8	7.0	7.0	7.1	8.0	9.2	12.5															
	2200	RPM	451	515	580	640	699	753	851	939														
		Bhp	0.26	0.31	0.37	0.43	0.50	0.56	0.70	0.84														
		sones	7.7	7.9	8.0	8.1	8.9	10.0	12.9	13.2														
	2500	RPM	504	554	608	666	719	771	866	953	1033	1110												
		Bhp	0.37	0.42	0.48	0.55	0.62	0.69	0.84	1.00	1.16	1.33												
		sones	9.4	9.6	9.0	9.2	9.9	11.0	13.3	13.6	13.9	14.1												
	2800	RPM	561	592	645	694	745	793	885	969	1047													
		Bhp	0.53	0.55	0.62	0.70	0.77	0.85	1.02	1.18	1.35													
		sones	11.0	11.9	10.6	10.2	11.0	12.0	13.8	14.2	14.5													
	3100	RPM	619	635	683	727	773	819	904	988														
		Bhp	0.71	0.72	0.79	0.87	0.95	1.04	1.20	1.41														
		sones	13.2	13.2	12.5	11.7	12.1	13.2	14.3	14.8														
3400	RPM	677	689	721	766	804	847	930																
	Bhp	0.94	0.94	0.99	1.07	1.16	1.26	1.44																
	sones	14.7	14.8	14.1	13.6	13.7	14.3	15.1																
3700	RPM	737	744	761	803	844	877																	
	Bhp	1.21	1.21	1.22	1.32	1.41	1.50																	
	sones	16.6	16.6	16.7	15.3	15.6	15.7																	
4000	RPM	796	802	814																				
	Bhp	1.52	1.53	1.54																				
	sones	18.6	18.6	18.8																				

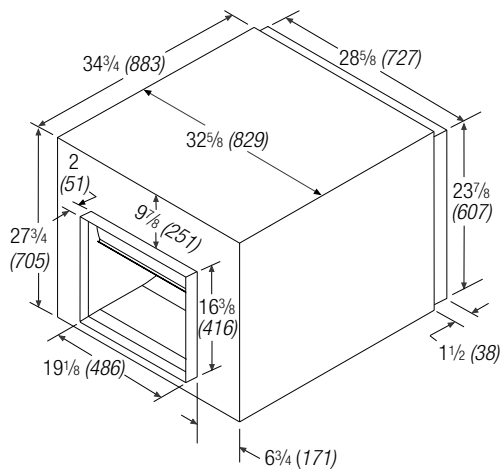
MAXIMUM RPM = 1119
 TIP SPEED = RPM x 3.436
 MAXIMUM MOTOR FRAME SIZE = 182T
 AVERAGE OUTLET VELOCITY = CFM/1.45

Performance certified is for installation type D: Ducted inlet, Ducted outlet. Power rating (bhp/kW) does not include transmission losses. Performance ratings do not include the effects of appurtenances (accessories).
 The sound ratings shown are loudness values in fan sones at 5 ft. (1.5m) from the test inlet duct in a hemispherical free field calculated per AMCA Standard 301. Values shown are for installation type D: ducted inlet, ducted outlet. Ratings do not include the effects of duct end connection.

Duct Fans

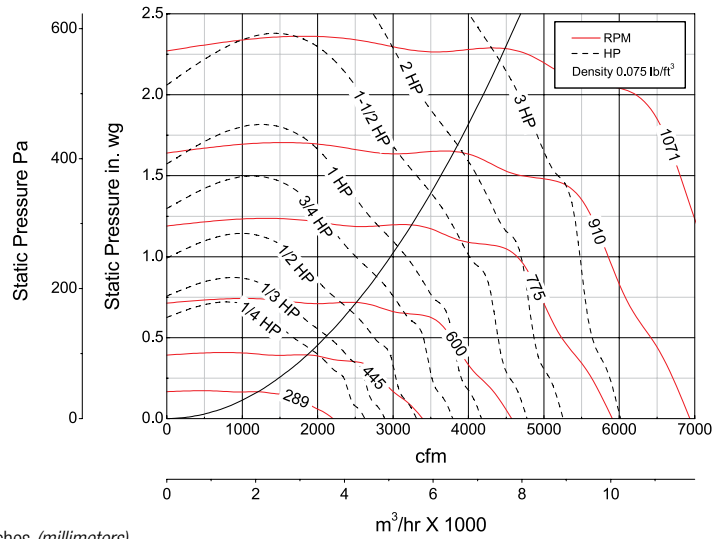
Performance and Dimensional Data

XIFB-150



Damper Size (Outlet Side) = 19 1/8 x 16 3/8 (486 x 416)
 Housing Thickness = 20 ga.
 ^Approximate Unit Weight = 221 lb. (100 kg)

All dimensions in inches (millimeters).
 ^Weight shown is largest cataloged Open Drip Proof motor.



Model Number	Fan CFM		Static Pressure in Inches wg																					
			0.125	0.25	0.5	0.75	1	1.25	1.5	1.75	2	2.25												
XIFB-150	2500	RPM	374	406	517																			
		Bhp	0.27	0.29	0.42																			
		sones	6.6	7.0	9.0																			
	2830	RPM	411	444	527	622																		
		Bhp	0.37	0.41	0.53	0.68																		
		sones	8.0	8.6	9.6	13.1																		
	3160	RPM	449	483	544	637	714																	
		Bhp	0.50	0.56	0.65	0.82	1.00																	
		sones	9.6	9.7	10.5	13.5	16.0																	
	3490	RPM	488	523	569	646	728	799																
		Bhp	0.65	0.73	0.80	0.98	1.17	1.37																
		sones	11.0	11.2	11.6	13.6	16.5	19.1																
	3820	RPM	528	561	607	662	741	810	875															
		Bhp	0.84	0.93	1.03	1.16	1.37	1.58	1.80															
		sones	12.6	13.0	13.2	14.3	17.0	19.3	20															
	4150	RPM	570	598	645	685	749	826	886	945														
		Bhp	1.07	1.16	1.29	1.37	1.58	1.81	2.04	2.29														
		sones	14.5	14.8	15.0	15.6	17.4	19.6	20	21														
	4480	RPM	611	637	685	720	770	833	902	957	1010	1071												
		Bhp	1.33	1.42	1.59	1.67	1.84	2.08	2.32	2.57	2.83	3.15												
		sones	16.3	16.5	17.1	17.5	18.3	19.9	21	22	22	23												
	4810	RPM	653	675	724	758	792	847	911	973														
		Bhp	1.63	1.73	1.93	2.03	2.13	2.38	2.64	2.89														
		sones	18.0	18.2	19.1	19.9	20	21	21	22														
5140	RPM	695	715	763	797	827	869	919																
	Bhp	1.97	2.07	2.32	2.44	2.53	2.72	2.97																
	sones	19.8	20	21	22	22	21	22																
5470	RPM	737	756	801	836	866	893																	
	Bhp	2.36	2.47	2.72	2.89	3.00	3.10																	
	sones	22	22	23	24	24	23																	
5800	RPM	780	797																					
	Bhp	2.80	2.91																					
	sones	24	24																					

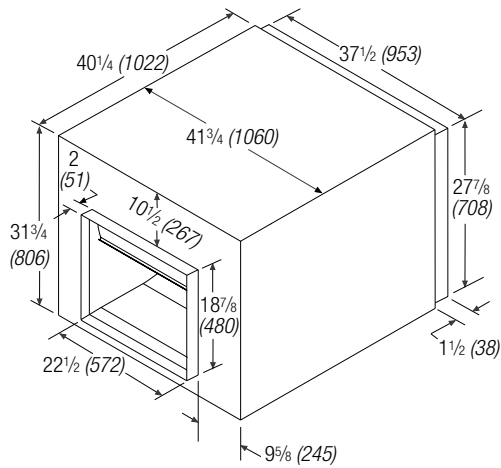
MAXIMUM RPM = 1071
 TIP SPEED = RPM x 3.927
 MAXIMUM MOTOR FRAME SIZE = 184T
 AVERAGE OUTLET VELOCITY = CFM/2.05

Performance certified is for installation type D: Ducted inlet, Ducted outlet. Power rating (bhp/kW) does not include transmission losses. Performance ratings do not include the effects of appurtenances (accessories).
 The sound ratings shown are loudness values in fan sones at 5 ft. (1.5m) from the test inlet duct in a hemispherical free field calculated per AMCA Standard 301. Values shown are for installation type D: ducted inlet, ducted outlet. Ratings do not include the effects of duct end connection.

Duct Fans

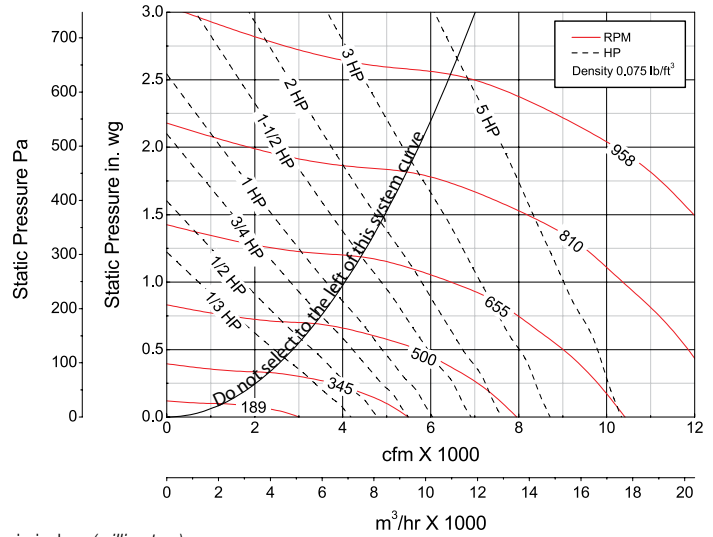
Performance and Dimensional Data

XIFB-180



Damper Size (Outlet Side) = 22½ x 18⅞ (572 x 479)
 Housing Thickness = 20 ga.
 ^Approximate Unit Weight = 304 lb. (138 kg)

All dimensions in inches (millimeters).
 ^Weight shown is largest cataloged Open Drip Proof motor.



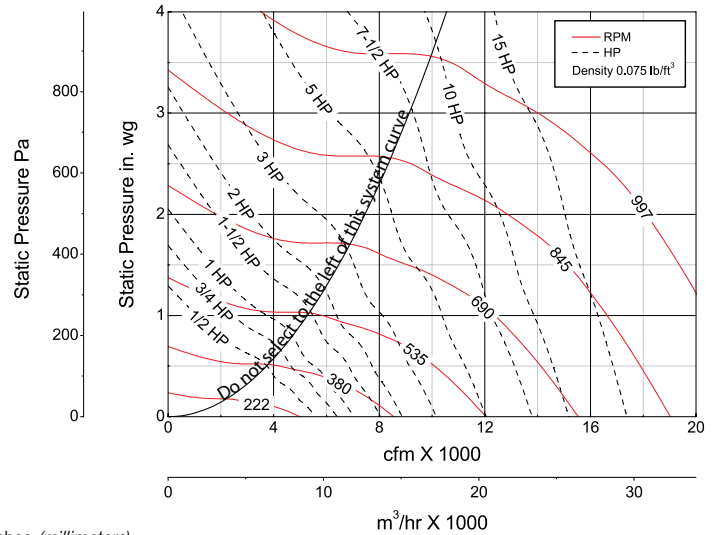
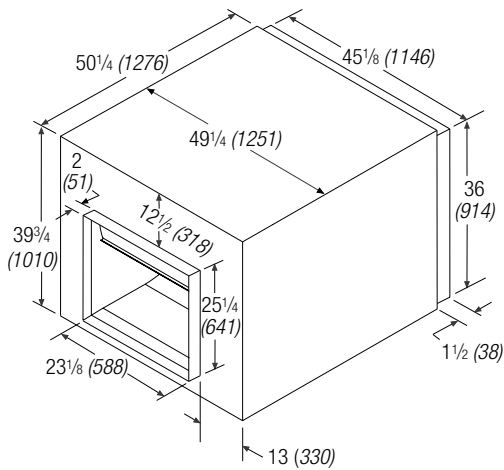
Model Number	Fan CFM		Static Pressure in Inches wg																					
			0.25	0.5	0.75	1	1.25	1.5	1.75	2	2.25	2.5												
XIFB-180	4000	RPM	353	448	529																			
		Bhp	0.48	0.68	0.91																			
		sones	7.6	12.1	14.6																			
	4540	RPM	375	463	540	610	673																	
		Bhp	0.63	0.86	1.10	1.36	1.62																	
		sones	8.9	13.6	15.2	16.1	17.0																	
	5080	RPM	400	479	553	621	682	738																
		Bhp	0.82	1.08	1.34	1.62	1.91	2.19																
		sones	10.8	14.9	15.8	16.8	17.4	15.5																
	5620	RPM	426	498	568	632	693	748	799															
		Bhp	1.05	1.34	1.62	1.90	2.22	2.55	2.85															
		sones	13.0	15.9	16.6	17.6	17.8	16.3	15.9															
	6160	RPM	453	519	585	647	704	759	810	857	903													
		Bhp	1.31	1.63	1.94	2.26	2.56	2.93	3.28	3.62	3.98													
		sones	15.7	17.0	17.5	18.5	18.3	17.2	16.8	17.3	18.4													
	6700	RPM	480	544	603	662	718	770	821	868	912	954												
		Bhp	1.62	1.98	2.32	2.65	3.00	3.33	3.73	4.11	4.49	4.85												
		sones	17.9	18.1	18.6	19.5	18.9	18.2	17.8	18.5	19.4	21												
	7240	RPM	510	568	623	680	733	784	832	879	923													
		Bhp	2.00	2.37	2.73	3.11	3.47	3.84	4.19	4.63	5.05													
		sones	18.9	19.3	19.8	20	19.9	19.3	18.9	19.6	20													
	7780	RPM	540	594	647	698	749	799	846	890														
		Bhp	2.44	2.81	3.22	3.61	3.99	4.40	4.79	5.17														
		sones	20	20	21	21	21	20	20	21														
8320	RPM	570	621	671	717	768	814																	
	Bhp	2.95	3.31	3.75	4.17	4.60	5.00																	
	sones	21	22	23	23	22	22																	
8860	RPM	601	648	696	741	786																		
	Bhp	3.51	3.86	4.35	4.80	5.25																		
	sones	23	24	24	24	24																		
9400	RPM	632	675	722																				
	Bhp	4.15	4.48	5.00																				
	sones	24	25	26																				

Performance certified is for installation type D: Ducted inlet, Ducted outlet. Power rating (bhp/kW) does not include transmission losses. Performance ratings do not include the effects of appurtenances (accessories).
 The sound ratings shown are loudness values in fan sones at 5 ft. (1.5m) from the test inlet duct in a hemispherical free field calculated per AMCA Standard 301. Values shown are for installation type D: ducted inlet, ducted outlet. Ratings do not include the effects of duct end connection.

Duct Fans

Performance and Dimensional Data

XIFB-200



Damper Size = 23 1/8 x 25 1/4 (587 x 638)

Housing Thickness = 20 ga.

^Approximate Unit Weight = 560 lb. (254 kg)

All dimensions in inches (millimeters).

^Weight shown is largest cataloged Open Drip Proof motor.

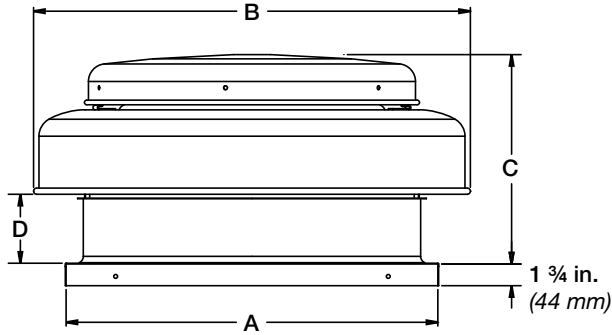
Model Number	Fan CFM		Static Pressure in Inches wg																						
			0.25	0.5	0.75	1	1.5	1.75	2	2.5	2.75	3													
XIFB-200	5000	RPM	310	394	464																				
		Bhp	0.57	0.84	1.09																				
		sones	12.5	12.6	12.3																				
	6000	RPM	340	413	480	538																			
		Bhp	0.88	1.16	1.49	1.77																			
		sones	13.1	13.2	13.3	14.0																			
	7000	RPM	374	437	498	556	656	705																	
		Bhp	1.28	1.59	1.93	2.33	3.04	3.50																	
		sones	14.4	14.0	14.4	15.1	16.8	18.3																	
	8000	RPM	411	465	521	574	671	712	757																
		Bhp	1.80	2.17	2.53	2.92	3.82	4.16	4.63																
		sones	15.9	14.8	15.7	16.4	18.0	19.2	21																
	9000	RPM	449	498	546	596	689	731	770	846	885														
		Bhp	2.45	2.87	3.26	3.70	4.65	5.15	5.63	6.52	7.11														
		sones	17.6	17.0	17.3	18.0	19.4	20	21	22	22														
	10000	RPM	489	533	576	620	707	749	788	860	892	928													
		Bhp	3.26	3.71	4.19	4.60	5.56	6.15	6.71	7.77	8.15	8.71													
		sones	19.6	19.4	19.3	19.9	21	22	23	24	24	24													
	11000	RPM	529	569	610	647	730	768	806	878	911	943													
		Bhp	4.24	4.72	5.26	5.75	6.77	7.27	7.88	9.13	9.73	10.29													
		sones	22	22	22	22	23	24	24	25	26	26													
	12000	RPM	571	607	644	680	754	791	827	896	929	961													
		Bhp	5.42	5.94	6.49	7.06	8.10	8.70	9.27	10.56	11.25	11.92													
		sones	25	25	25	25	26	26	27	28	28	28													
13000	RPM	613	646	679	714	779	815	850	915	947	979														
	Bhp	6.81	7.34	7.91	8.56	9.70	10.27	10.93	12.14	12.87	13.63														
	sones	28	28	28	28	29	29	29	30	31	31														
14000	RPM	655	686	717	748	810	840	874	938	968	997														
	Bhp	8.42	8.97	9.59	10.25	11.57	12.14	12.74	14.14	14.79	15.44														
	sones	31	31	31	32	31	32	32	33	34	35														
15000	RPM	697	726	756	783	843	871	899																	
	Bhp	10.30	10.80	11.50	12.20	13.60	14.30	14.90																	
	sones	35	35	35	35	35	35	35																	

MAXIMUM RPM = 997
 TIP SPEED = RPM x 5.318
 MAXIMUM MOTOR FRAME SIZE = 256T
 AVERAGE OUTLET VELOCITY = CFM/3.87

Performance certified is for installation type D: Ducted inlet, Ducted outlet. Power rating (bhp/kW) does not include transmission losses. Performance ratings do not include the effects of appurtenances (accessories).
 The sound ratings shown are loudness values in fan sones at 5 ft. (1.5m) from the test inlet duct in a hemispherical free field calculated per AMCA Standard 301. Values shown are for installation type D: ducted inlet, ducted outlet. Ratings do not include the effects of duct end connection.

Axial Fans Performance and Dimensional Data XRAE Exhaust

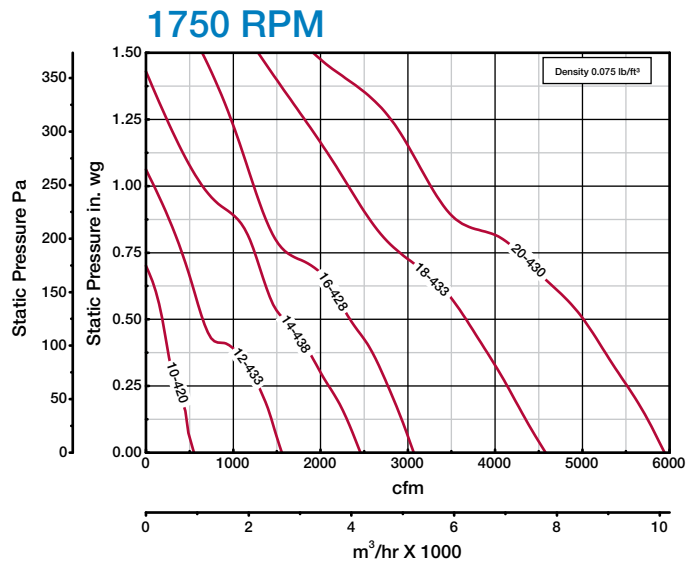
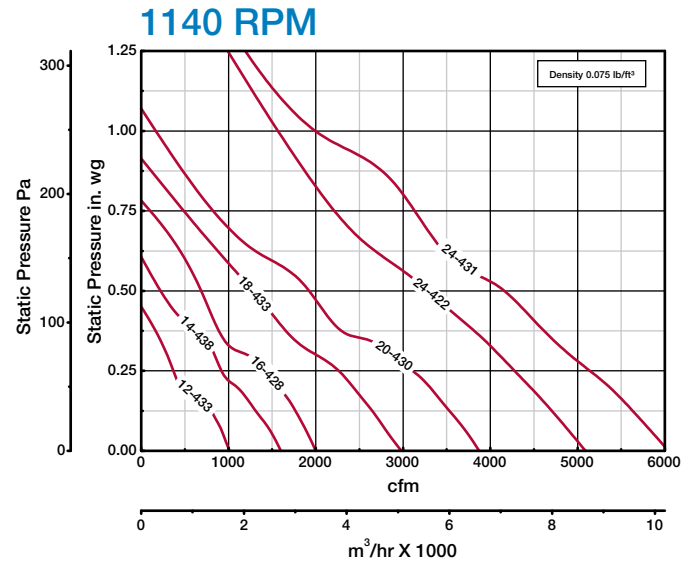
Dimensional Data



Dimensional Data	Model XRAE Size						
	10	12	14	16	18	20	24
A - Curb Cap	19 (483)	22 (559)	22 (559)	26 (660)	30 (762)	34 (863)	34 (863)
B	24 ⁵ / ₈ (625)	28 ⁵ / ₈ (727)	28 ⁵ / ₈ (727)	35 ¹ / ₄ (895)	35 ¹ / ₄ (895)	42 (1067)	42 (1067)
C	15 ¹ / ₂ (394)	16 ¹ / ₂ (419)	16 ¹ / ₂ (419)	17 ¹ / ₄ (438)	17 ¹ / ₄ (438)	17 ¹ / ₂ (445)	17 ¹ / ₂ (445)
D	5 ¹ / ₂ (140)	6 ¹ / ₄ (159)	6 ¹ / ₄ (159)	6 ¹ / ₄ (159)	6 ¹ / ₄ (159)	6 ¹ / ₄ (159)	6 ¹ / ₄ (159)
Damper Size	12 (305)	12 (305)	14 (356)	16 (406)	18 (457)	24 (610)	24 (610)
Roof Opening	14 ¹ / ₂ (368)	14 ¹ / ₂ (368)	16 ¹ / ₂ (419)	18 ¹ / ₂ (470)	20 ¹ / ₂ (521)	26 ¹ / ₂ (673)	26 ¹ / ₂ (673)
Shroud Thickness	0.050 (1.3)	0.050 (1.3)	0.050 (1.3)	0.063 (1.6)	0.063 (1.6)	0.063 (1.6)	0.063 (1.6)
Motor Cover Thickness	0.050 (1.3)	0.050 (1.3)	0.050 (1.3)	0.050 (1.3)	0.050 (1.3)	0.050 (1.3)	0.050 (1.3)
Unit Weight	34 (15)	44 (20)	51 (23)	63 (29)	70 (32)	97 (44)	89 (40)

All dimensions in inches (millimeters) and weight in pounds (kilograms).

Axial Exhaust Performance Charts



Performance certified is for Model XRAE exhaust for installation type A: Free inlet, Free outlet. Performance ratings include the effects of a birdscreen.

Axial Fans

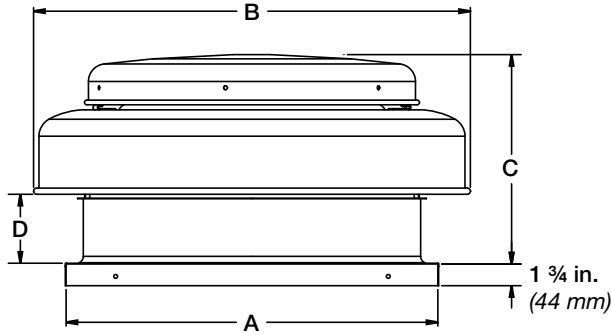
Performance and Dimensional Data

XRAE Exhaust

Model Number XRAE-	HP (Size)	Fan RPM		CFM / Static Pressure in Inches WG									
				0	0.10	0.125	0.20	0.25	0.375	0.50	0.625	0.75	1.0
10-420-A8	1/8	1750	cfm	550	475	465	409	347	255	189			
			Bhp	0.025	0.03	0.031	0.035	0.038	0.044	0.05			
			sones	9.6	10.4	10.5	11.9	13.2	12.0	16.8			
12-433-B6	1/6	1140	cfm	1014	853	803	458	376	144				
			Bhp	0.03	0.036	0.037	0.039	0.044	0.052				
			sones	5.1	5.1	5.1	7.0	7.4	8.6				
12-433-A4	1/4	1750	cfm	1556	1460	1437	1355	1291	1055	672	538	386	
			Bhp	0.107	0.112	0.115	0.125	0.131	0.135	0.146	0.165	0.176	
			sones	9.0	8.9	8.8	8.9	8.9	10.5	14.5	15.0	15.7	
14-438-B6	1/6	1140	cfm	1601	1381	1311	1092	925	626	273			
			Bhp	0.093	0.1	0.102	0.098	0.1	0.111	0.119			
			sones	8.2	7.6	7.5	8.0	8.4	9.6	10.7			
14-438-A5	1/2	1750	cfm	2457	2332	2298	2186	2093	1875	1603	1381	1244	716
			Bhp	0.337	0.342	0.345	0.357	0.365	0.369	0.355	0.369	0.393	0.41
			sones	16.8	16.4	16.3	16.2	16.2	16.1	19.2	19.5	18.4	22
16-428-B6	1/6	1140	cfm	1999	1817	1764	1563	1418	904	682			
			Bhp	0.092	0.103	0.108	0.119	0.124	0.127	0.14			
			sones	10.5	9.2	9.0	8.6	8.4	12.2	11.6			
16-428-A5	1/2	1750	cfm	3068	2958	2928	2834	2771	2590	2339	2112	1686	1257
			Bhp	0.334	0.348	0.352	0.367	0.377	0.413	0.435	0.452	0.448	0.478
			sones	17.9	17.2	17.1	16.4	16.1	15.7	15.5	15.2	25	21
18-433-B3	1/3	1140	cfm	2982	2713	2645	2423	2264	1669	1276	881	499	
			Bhp	0.249	0.266	0.27	0.28	0.286	0.285	0.298	0.319	0.346	
			sones	11.7	11.2	11.1	11.2	11.4	14.8	14.4	15.0	17.1	
18-433-A10	1	1750	cfm	4578	4395	4349	4224	4141	3908	3660	3357	2935	2327
			Bhp	0.902	0.924	0.93	0.953	0.968	0.995	1.02	1.041	1.039	1.045
			sones	28	28	28	29	29	29	28	28	29	31
20-430-B5	1/2	1140	cfm	3871	3606	3531	3300	3100	2301	1925	1313		
			Bhp	0.258	0.282	0.289	0.305	0.318	0.331	0.361	0.378		
			sones	11.3	10.9	10.9	11.2	11.7	13.7	16.8	15.7		
20-430-A15	1½	1750	cfm	5943	5785	5745	5605	5507	5260	5007	4650	4246	3295
			Bhp	0.932	0.967	0.975	1.006	1.027	1.075	1.113	1.169	1.211	1.238
			sones	23	22	22	22	23	23	25	24	25	35
24-422-B5	1/2	1140	cfm	5091	4782	4703	4452	4277	3813	3279	2700	2252	
			Bhp	0.521	0.541	0.546	0.563	0.577	0.6	0.625	0.625	0.641	
			sones	17.2	14.2	13.9	13.7	13.6	13.4	17.0	21	21	
24-431-B10	1	1140	cfm	6042	5714	5626	5361	5137	4619	4146	3476	3136	2028
			Bhp	1.003	1.024	1.028	1.039	1.053	1.087	1.098	1.073	1.119	1.167
			sones	19.8	20	21	20	20	20	21	24	24	24

Performance certified is for Model XRAE exhaust for installation type A: Free inlet, Free outlet. Performance ratings include the effects of a birdscreen. The sound ratings shown are loudness values in fan sones at a distance of 1.5 m (5 ft) in a hemispherical free field calculated per AMCA International Standard 301. Values shown are for Installation Type A: free inlet hemispherical sone levels.

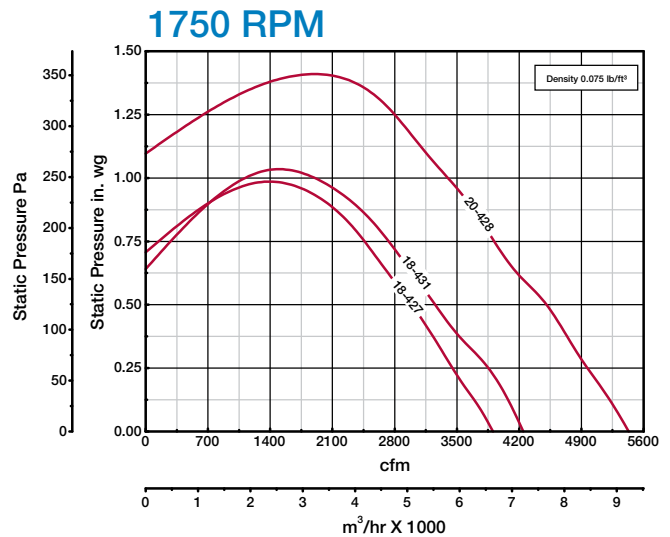
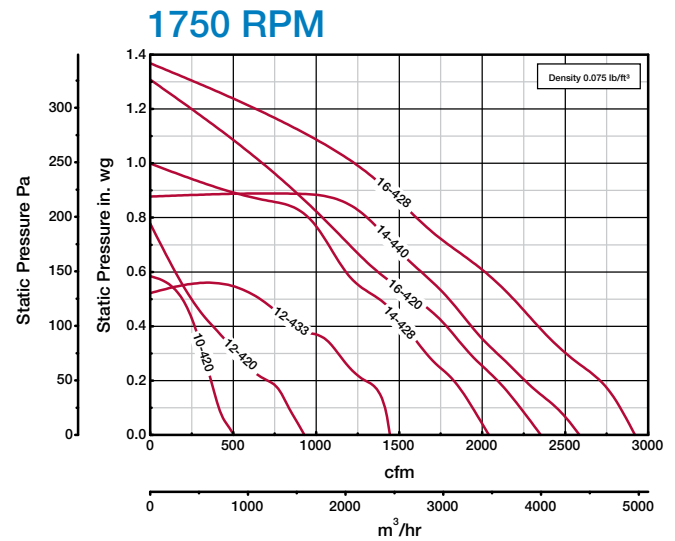
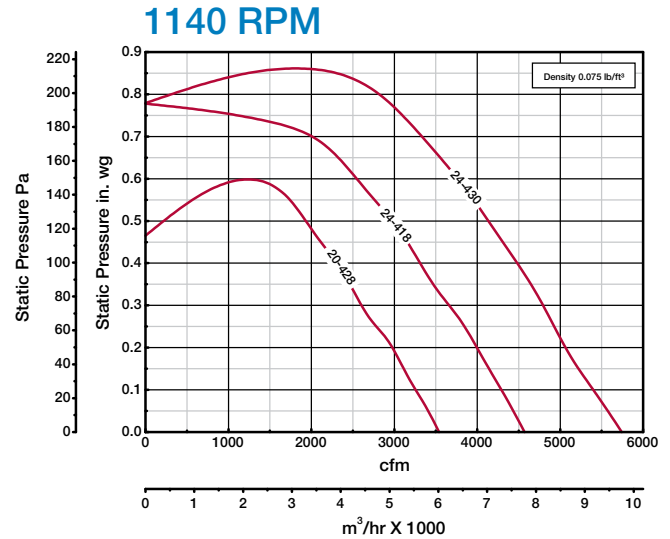
Dimensional Data



Dimensional Data	Model XNAS Size						
	10	12	14	16	18	20	24
A - Curb Cap	19 (483)	22 (559)	22 (559)	26 (660)	30 (762)	34 (863)	34 (863)
B	24 ⁵ / ₈ (625)	28 ⁵ / ₈ (727)	28 ⁵ / ₈ (727)	35 ¹ / ₄ (895)	35 ¹ / ₄ (895)	42 (1067)	42 (1067)
C	15 ¹ / ₂ (394)	16 ¹ / ₂ (419)	16 ¹ / ₂ (419)	17 ¹ / ₄ (438)	17 ¹ / ₄ (438)	17 ¹ / ₂ (445)	17 ¹ / ₂ (445)
D	5 ¹ / ₂ (140)	6 ¹ / ₄ (159)	6 ¹ / ₄ (159)	6 ¹ / ₄ (159)	6 ¹ / ₄ (159)	6 ¹ / ₄ (159)	6 ¹ / ₄ (159)
Damper Size	12 (305)	12 (305)	14 (356)	16 (406)	18 (457)	24 (610)	24 (610)
Roof Opening	14 ¹ / ₂ (368)	14 ¹ / ₂ (368)	16 ¹ / ₂ (419)	18 ¹ / ₂ (470)	20 ¹ / ₂ (521)	26 ¹ / ₂ (673)	26 ¹ / ₂ (673)
Shroud Thickness	0.050 (1.3)	0.050 (1.3)	0.050 (1.3)	0.063 (1.6)	0.063 (1.6)	0.063 (1.6)	0.063 (1.6)
Motor Cover Thickness	0.050 (1.3)	0.050 (1.3)	0.050 (1.3)	0.050 (1.3)	0.050 (1.3)	0.050 (1.3)	0.050 (1.3)
Unit Weight	34 (15)	44 (20)	51 (23)	63 (29)	70 (32)	97 (44)	89 (40)

All dimensions in inches (millimeters) and weight in pounds (kilograms).

Axial Supply Performance Charts



Performance certified is for Model AS supply for installation type A: Free inlet, Free outlet. Performance ratings include the effects of a birdscreen.

Axial Fans

Performance and Dimensional Data

XRAS • Supply

Model Number XRAS-	HP (Size)	Fan RPM		CFM / Static Pressure in Inches WG									
				0	0.10	0.125	0.20	0.25	0.375	0.50	0.625	0.75	1.0
10-420-A8	1/8	1750	cfm	503	413	401	366	343	280	188			
			Bhp	0.022	0.029	0.03	0.033	0.035	0.043	0.052			
			sones	7.9	9.1	9.2	9.8	10.2	10.2	10.7			
12-420-A4	1/4	1750	cfm	929	835	813	708	595	415				
			Bhp	0.037	0.046	0.047	0.054	0.058	0.068				
			sones	9.6	8.9	8.9	11.4	14.3	12.6				
12-433-A4	1/4	1750	cfm	1444	1412	1400	1294	1203	953	641			
			Bhp	0.093	0.1	0.105	0.107	0.123	0.135	0.148			
			sones	11.4	11.5	11.6	11.8	12.2	15.1	15.8			
14-428-A4	1/4	1750	cfm	2041	1940	1912	1827	1742	1567	1380	1155	1018	
			Bhp	0.127	0.142	0.145	0.155	0.172	0.195	0.209	0.228	0.245	
			sones	16.1	15.8	15.7	15.8	15.9	15.9	18.4	18.9	17.3	
14-440-A5	1/2	1750	cfm	2586	2442	2395	2261	2176	1971	1799	1588	1380	
			Bhp	0.32	0.329	0.331	0.338	0.346	0.375	0.415	0.436	0.459	
			sones	20	19.9	19.8	19.9	19.9	19.8	21	21	19.9	
16-420-A5	1/2	1750	cfm	2353	2229	2195	2093	2008	1819	1597	1330	1121	
			Bhp	0.177	0.192	0.195	0.206	0.221	0.236	0.25	0.268	0.286	
			sones	20	19.7	19.5	19.6	19.6	19.5	21	22	21	
16-428-A7	3/4	1750	cfm	2920	2826	2802	2693	2602	2376	2188	1965	1693	1200
			Bhp	0.311	0.331	0.336	0.349	0.356	0.379	0.428	0.436	0.466	0.517
			sones	21	21	21	20	20	19.9	19.7	21	25	23
18-427-A7	3/4	1750	cfm	3906	3739	3690	3543	3454	3228	2990	2725	2454	
			Bhp	0.545	0.592	0.603	0.636	0.647	0.676	0.703	0.731	0.756	
			sones	30	29	28	28	27	28	28	28	28	
18-431-A10	1	1750	cfm	4247	4110	4076	3938	3846	3526	3259	2998	2724	
			Bhp	0.725	0.763	0.773	0.789	0.8	0.888	0.916	0.943	0.972	
			sones	31	30	30	30	30	29	29	28	28	
20-428-B5	1/2	1140	cfm	3488	3202	3125	2911	2715	2315	1847			
			Bhp	0.212	0.228	0.232	0.256	0.274	0.305	0.332			
			sones	16.7	17.5	17.7	18.1	18.4	17.1	18.9			
20-428-A15	1½	1750	cfm	5355	5181	5137	4987	4886	4648	4408	4073	3830	3272
			Bhp	0.767	0.79	0.795	0.814	0.827	0.879	0.94	1.012	1.056	1.142
			sones	29	31	32	33	34	34	34	33	33	33
24-418-B5	1/2	1140	cfm	4569	4289	4215	3992	3841	3392	2958	2422		
			Bhp	0.369	0.392	0.399	0.415	0.422	0.453	0.474	0.497		
			sones	24	23	23	23	23	22	22	19.4		
24-430-B10	1	1140	cfm	5742	5401	5315	5066	4929	4556	4131	3650	3066	
			Bhp	0.855	0.884	0.892	0.915	0.932	0.973	1.012	1.05	1.091	
			sones	29	25	25	24	24	25	26	27	29	

Performance certified is for Model XRAS supply for installation type A: Free inlet, Free outlet. Performance ratings include the effects of a birdscreen. The sound ratings shown are loudness values in fan sones at a distance of 1.5 m (5 ft) in a hemispherical free field calculated per AMCA International Standard 301. Values shown are for Installation Type A: free outlet hemispherical sone levels.



114 David Green Rd. • Birmingham, AL 35244
Phone: 1.800.322.4036 • Fax: 1.205.987.0583
sales@larkinhoods.com