

Extruded Aluminum Louver

DC65D

6" Deep • Drainable • Combination Adjustable And Stationary Blades

STANDARD CONSTRUCTION

FRAME: .080" thick nominal; 6063-T6/T52 extruded aluminum alloy

BLADES: Stationary blade .080" thick nominal ; 6063-T6/T52 extruded aluminum alloy.
Adjustable blade .125" thick nominal; 6063-T6/T52 extruded aluminum alloy.

FACE OF LOUVER: Full width sill with head and blades contained within the jambs.

LINKAGE: Extruded aluminum, concealed in channel out of airstream. Pivots are .50 dia. machined steel. Cadmium plated and chromate treated. Pivots rotate in a celcon bearing. A .312" dia. Aluminum linkage rod is locked to the pivot by a 1/4 - 20 set screw with epoxy locking patch.

SHAFT: .50 dia. aluminum "Pin-Lock" Rod.

BLADE SEALS: Extruded silicone rubber seal at blade edge.

JAMB SEALS: Stainless steel jamb seals.

SCREEN: 1/2" x .051" flattened aluminum bird screen

FINISH: Mill

OPTIONS

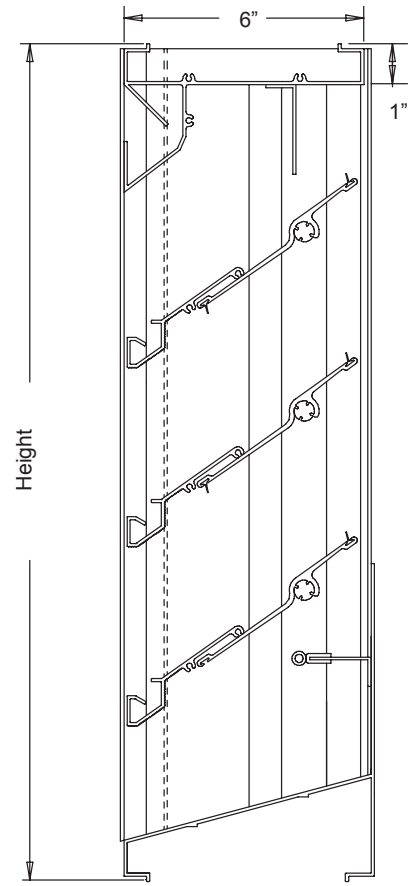
- Finish - Baked Powder Polyester , Kynar, or Anodize
- Variety of Bird and Insect Screen
- 1 3/8" Usable Flange Frame
- Blank-off Panels
- Actuators (Electric, Pneumatic, Manual, etc.)

NOTES

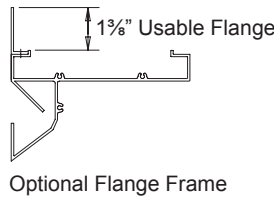
1. "A" width and "B" height are opening dimensions. Louvers are provided approximately 1/2" undercut.
2. Shipping weight approximately 5.7 lbs./sq.ft.

LOUVER SIZE

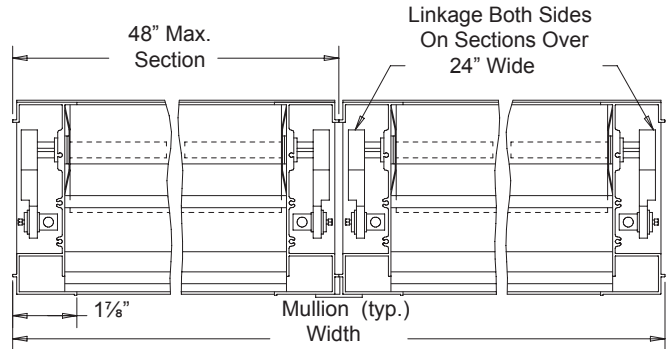
Panels	Min Panel	Max Single Panel
DC65D	12"W x 12	48"W x 96"H



Section View



Optional Flange Frame



DC65D

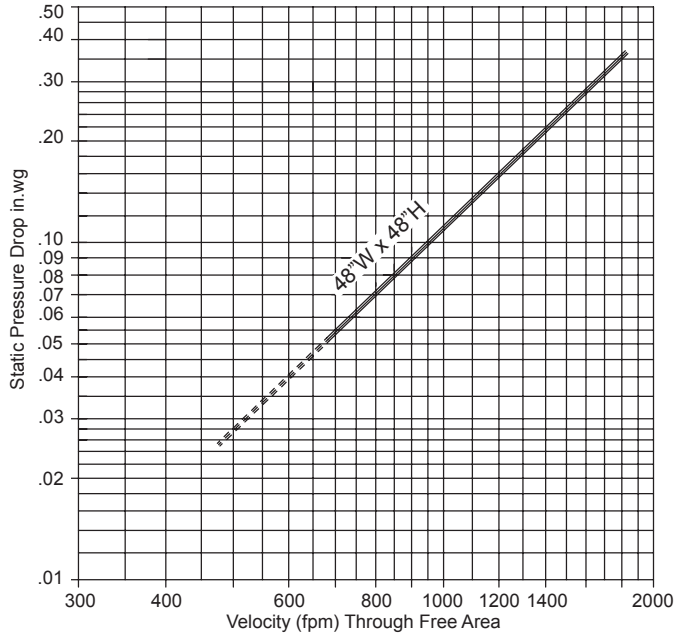
Extruded Aluminum Louver

6" Deep • Drainable • Combination Adjustable And Stationary Blades

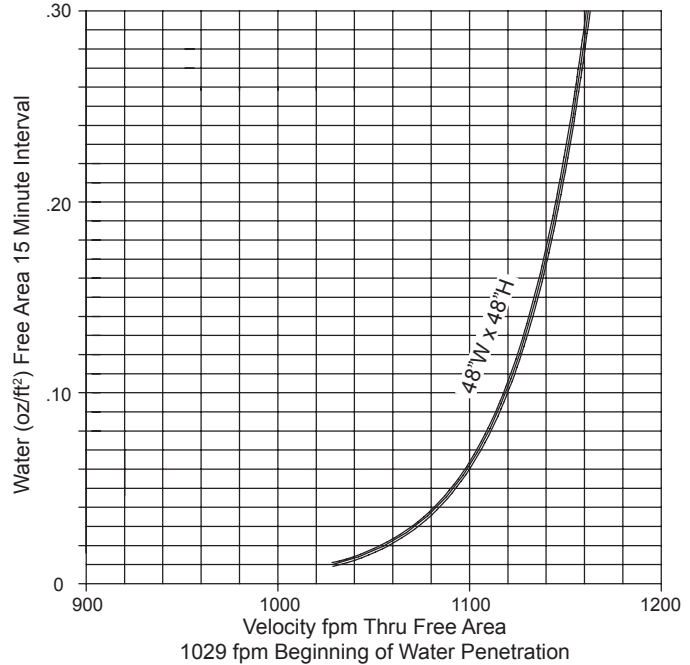
Water Penetration: 1000 fpm recommended maximum free area velocity
 Pressure Drop: 0.12 in.wg at 1050 fpm and 8652 scfm
 Free Area: 8.24 sq.ft. = 52% for 48"W x 48"H test size

Ratings do not include effects of birdscreen

Intake Pressure Drop



Water Penetration

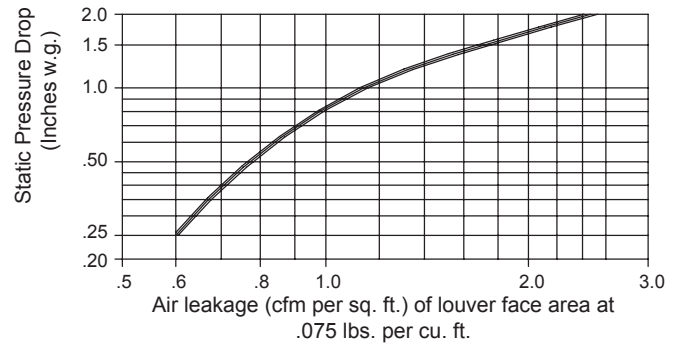


Free Area sq.ft.

Height	Width						
	12"	18"	24"	30"	36"	42"	48"
12"	0.14	0.24	0.34	0.45	0.55	0.65	0.76
24"	0.64	1.12	1.60	2.08	2.55	3.05	3.51
36"	1.00	1.76	2.51	3.26	4.02	4.77	5.52
48"	1.50	2.62	3.74	4.87	5.99	7.11	8.24
60"	2.00	3.50	4.99	6.49	7.99	9.49	10.99
72"	2.36	4.14	5.91	7.68	9.45	11.23	13.00
84"	2.86	5.00	7.14	9.28	11.42	13.57	15.71
96"	3.36	5.87	8.39	10.91	13.43	15.94	18.46

Air leakage (louver installation position, intake) is per AMCA Standard 500 Procedure Fig. 5.5.

Air Leakage with adjustable blade in closed position with a seating torque of 6.25 in.lb. / sq.ft. of louver face area. Leakage is based on a test of a 48" x 48" louver.



Louvers & Dampers certifies that the Model DC65D Louver shown herein is licensed to bear the AMCA seal. The rating shown are based on test and procedures performed in accordance with AMCA Publication 511 and comply with the requirements of the AMCA Certified rating program. The AMCA Certified Ratings Seal applies to Air Performance Ratings and Water Penetration Ratings.

Louvers **LD** Dampers

In the interest of product development, Louvers & Dampers reserves the right to make changes without notice.

P.O. Box 606 • Florence, KY 41042 • Phone (859) 647-2299 • Fax (859) 647-7810

August 2009