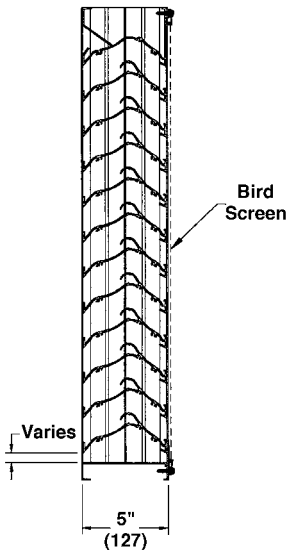
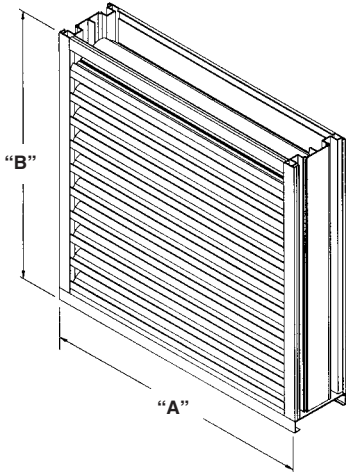




1300 ENTERPRISE ROAD GENEVA, ALABAMA 36340-0580 800-239-4621 FAX 1-800-508-1469 www.reliablelouvers.com

5DDWRG AND 5DDWR WIND-DRIVEN RAIN RESISTANT STATIONARY LOUVER EXTRUDED ALUMINUM



STANDARD CONSTRUCTION

FRAME
5" (127) deep, 6063T5 extruded aluminum with .081" (2.1) nominal wall thickness.

BLADES
5DDWRG - .062 (1.6) blades
5DDWR - .081 (2.1) blades
6063T5 extruded aluminum .063" (1.6) nominal wall thickness. Double drainable blades are sightproof and spaced approximately 2" (51) center to center.

SCREEN
5/8" x .040" (16 x 1) expanded flattened aluminum bird screen in removable frame. Screen adds approximately 1/2" (13) to louver depth.

FINISH
Mill.

MINIMUM SIZE
12"w x 12"h (305 x 305).

APPROXIMATE SHIPPING WEIGHT
7 lbs. per sq. ft. (34.2 kg/m²)

MAXIMUM FACTORY ASSEMBLY SIZE
Single sections shall not exceed 120" x 90"h (3048 x 2286) or 90"w x 120"h (2286 x 3048). Louvers larger than the maximum single section size will require field assembly of smaller sections.

SUPPORTS
Louvers may be provided with rear mounted blade supports that increase overall louver depth depending on louver size, assembly configuration or windload.

Consult Reliable for additional information.

FEATURES

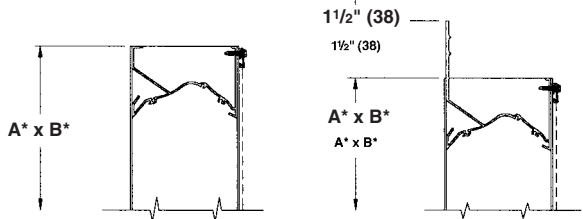
- Closely spaced horizontal blades minimize the penetration of wind-driven rain, reducing damage and additional operating expenses.
- Tested in the AMCA 5DD-L Wind-Driven Rain Penetration Test.
- Published performance ratings based on testing in accordance with AMCA Publication 511.
- 44% Free Area.
- Excellent pressure drop performance.
- Aluminum construction for low maintenance and high resistance to corrosion.

VARIATIONS

- Extended sill.
- Hinged frame.
- Front or rear security bars.
- Filter racks.
- Installation angles.
- A variety of bird and insect screens.
- Selection of finishes: prime coat, baked enamel (modified fluoropolymer), epoxy, Pearledize 50 & 70, Kynar, clear and color anodize. (Some variation in anodize color consistency is possible).

Consult Reliable for other special requirements.

FRAME CONSTRUCTION



LEED Material Information

VOC Content (g/l) - 0

Manufacturing Locations (MR 5.1)
Geneva, AL 36340

Recycled Content (MR 4.1 & 4.2)
10% Post Consumer
30% Pre-Consumer

Dimensions in inches, parenthesis () indicate millimeters.

*Units furnished 1/4" (6) smaller than given opening dimensions.

TAG	QTY.	SIZE		FRAME	VARIATIONS
		A*-WIDE	B*-HIGH		

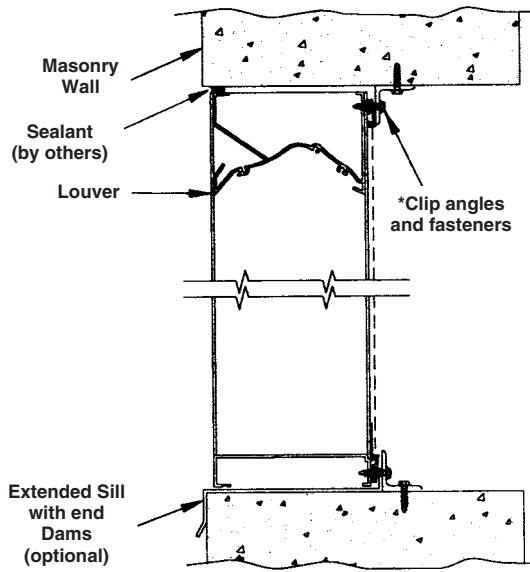
PROJECT ARCH./ENGR. REPRESENTATIVE	LOCATION CONTRACTOR DATE
---	---

ALL STATED SPECIFICATIONS ARE SUBJECT TO CHANGE WITHOUT NOTICE OR OBLIGATION.

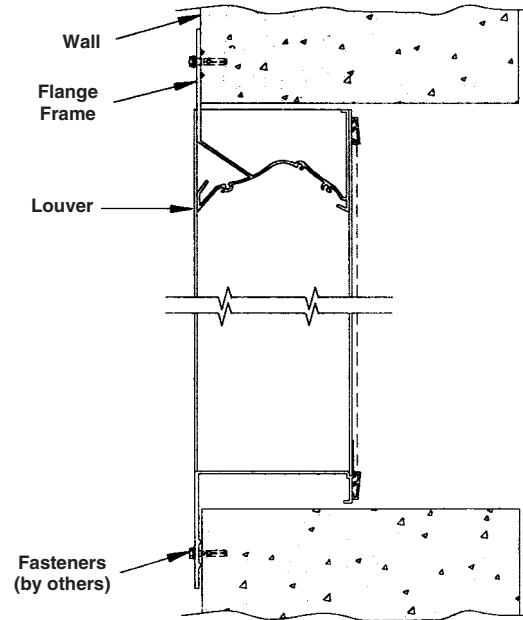
TYPICAL INSTALLATION DETAILS

5DDWRG
5DDWR

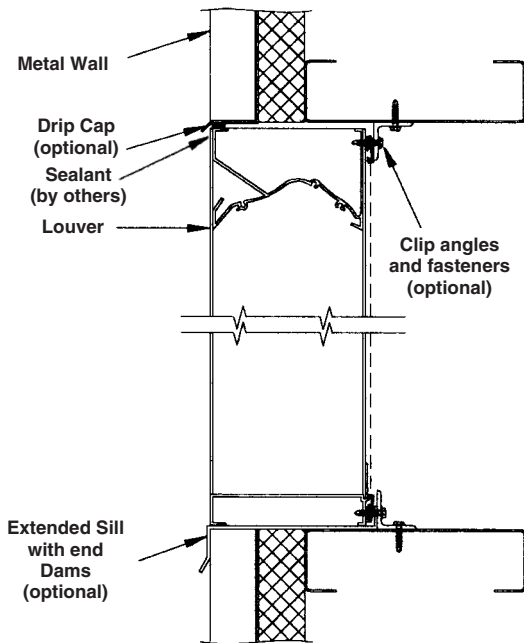
Masonry Wall



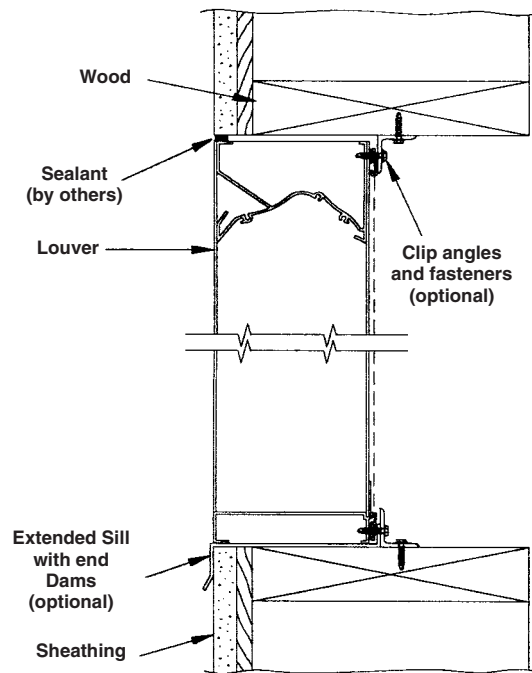
Flange Mount



Metal Panel Wall

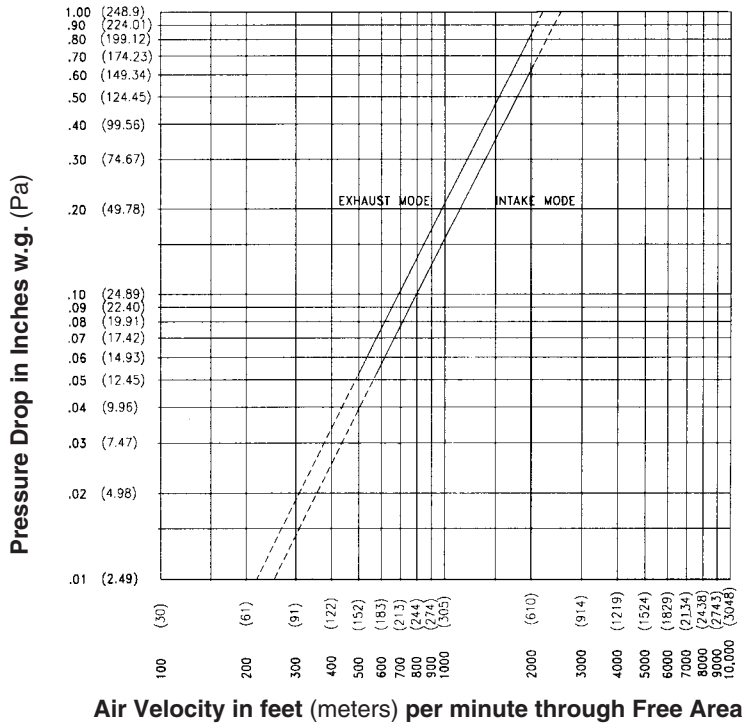


Wood Installation



PRESSURE DROP

Test size 48" wide x 48" high (1219 x 1219).

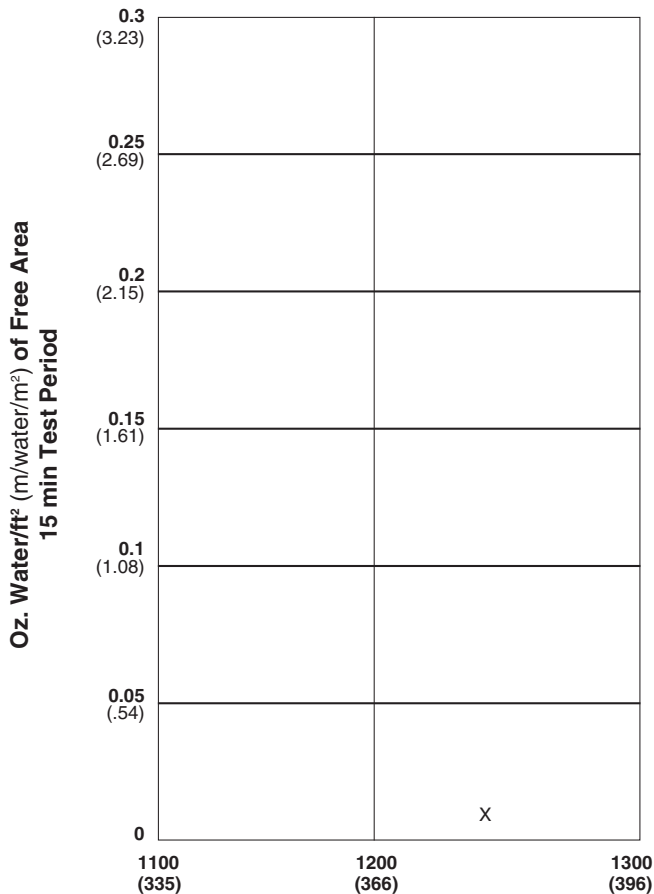


Ratings do not include the effect of a bird screen.

WATER PENETRATION GRAPH

Test size 48" x 48" (1219 x 1219)

Beginning point of water penetration at .01 oz./sq. ft. is above 1250 fpm (381 m/min.)



AMCA certifies that the louver shown herein is licensed to bear the AMCA Seal. The ratings shown are based on tests and procedures performed in accordance with AMCA Publication 511 and comply with the requirements of the AMCA Certified Ratings Program. The AMCA Certified Ratings Seal applies to air performance ratings, water penetration ratings and wind driven rain ratings only.

**5DDWRG
5DDWR**

WIND-DRIVEN RAIN PERFORMANCE

Test size is 1m x 1m (39" x 39") core area, 1.04m x 1.12m (41" x 44") nominal. Free Area of test louver is 5.45 ft² (.51m²).

29 mph (47 kph) wind & 3" (76) per hour rain conditions

Core Velocity ₁ fpm (m/s)	Airflow cfm (m ³ /min)	Free Area Velocity ₂ fpm (m/sec.)	Effectiveness Ratio	Class ₃
0 (0)	0 (0)	0 (0)	99.9%	A
98 (.5)	1060 (30)	226 (1.1)	99.9%	A
197 (1.0)	2119 (60)	389 (2.0)	99.9%	A
287 (1.5)	3179 (90)	583 (3.0)	99.9%	A
381 (1.9)	4239 (120)	778 (4.0)	99.9%	A
476 (2.4)	5299 (150)	972 (4.9)	99.9%	A
586 (3.0)	6358 (180)	1167 (5.9)	99.8%	A
673 (3.4)	7418 (210)	1361 (6.9)	99.7%	A
763 (3.9)	8478 (240)	1556 (7.9)	98.9%	B
882 (4.5)	9537 (270)	1750 (8.9)	97.3%	B
987 (5.0)	10597 (300)	1944 (9.9)	95.3%	B

50 mph (80 kph) wind & 8" (203) per hour rain conditions

Core Velocity ₁ fpm (m/s)	Airflow cfm (m ³ /min)	Free Area Velocity ₂ fpm (m/sec.)	Effectiveness Ratio	Class ₃
0 (0)	0 (0)	0 (0)	99.4%	A
106 (.5)	1060 (30)	226 (1.1)	99.3%	A
184 (.9)	2119 (60)	389 (2.0)	99.2%	A
282 (1.4)	3179 (90)	583 (3.0)	99.0%	A
408 (1.9)	4239 (120)	778 (4.0)	99.0%	A
495 (2.5)	5299 (150)	972 (4.9)	98.9%	B
567 (2.9)	6358 (180)	1167 (5.9)	98.9%	B
680 (3.5)	7418 (210)	1361 (6.9)	98.3%	B
791 (4.0)	8478 (240)	1556 (7.9)	97.2%	B
882 (4.5)	9537 (270)	1750 (8.9)	95.1%	B
982 (5.0)	10597 (300)	1944 (9.9)	23.9%	D

NOTES

- Core area is the open area of the louver face (face area less louver frames). Core Velocity is the airflow velocity through the Core Area of the louver (1m x 1m).
- Free Area of test size is calculated per AMCA standard 5DD-L.
- Wind Driven Rain Penetration Classes:

Class	Effectiveness
A	1 to .99
B	0.989 to 0.95
C	0.949 to 0.80
D	Below 0.8

- Intake Discharge Loss Class 2

Discharge Loss Coefficient is calculated by dividing a louvers' actual airflow rate vs. a theoretical airflow for the opening. It provides an indication of the louvers' airflow characteristics. Discharge Loss Classes:

Class Discharge Loss Coefficient

- 0.4 and above
- 0.3 to 0.399
- 0.2 to 0.299
- 0.199 and below

(The higher the coefficient, the less resistance to airflow.)

- The AMCA Wind Driven Rain Test is performed in a laboratory environment and incorporates controlled wind, water and system airflow effects. In actual field installations, storms may create conditions not considered by the AMCA test. Penthouse and similar applications where wind can pass through multiple louvers in an enclosure is another condition that is not simulated by AMCA tests. These applications can create elevated water penetration rates through any louver. Because of these uncontrolled situations, it is recommended that provisions to manage water penetration through louvers be included in the building design.

FREE AREA GUIDE

Free Area Guide shows free area in ft² and m² for various sizes of LSA5CDD. Width – Inches and Meters

	12	18	24	30	36	42	48	54	60	66	72	78	84	90	96	102	108	114	120
	0.30	0.46	0.61	0.76	0.91	1.07	1.22	1.37	1.52	1.68	1.83	1.98	2.13	2.29	2.44	2.59	2.74	2.90	3.05
12	0.24	0.39	0.55	0.70	0.85	1.00	1.15	1.31	1.46	1.61	1.76	1.92	2.07	2.22	2.37	2.52	2.68	2.83	2.98
0.30	0.02	0.04	0.05	0.06	0.08	0.09	0.11	0.12	0.14	0.15	0.16	0.18	0.19	0.21	0.22	0.23	0.25	0.26	0.28
18	0.44	0.72	1.00	1.29	1.57	1.85	2.13	2.41	2.69	2.97	3.25	3.53	3.81	4.09	4.37	4.65	4.93	5.21	5.49
0.46	0.04	0.07	0.09	0.12	0.15	0.17	0.20	0.22	0.25	0.28	0.30	0.33	0.35	0.38	0.41	0.43	0.46	0.48	0.51
24	0.65	1.06	1.46	1.87	2.28	2.69	3.10	3.51	3.92	4.33	4.73	5.14	5.55	5.96	6.37	6.78	7.19	7.60	8.00
0.61	0.06	0.10	0.14	0.17	0.21	0.25	0.29	0.33	0.36	0.40	0.44	0.48	0.52	0.55	0.59	0.63	0.67	0.71	0.74
30	0.85	1.39	1.92	2.46	3.00	3.53	4.07	4.61	5.15	5.68	6.22	6.76	7.29	7.83	8.37	8.90	9.44	9.98	10.52
0.76	0.08	0.13	0.18	0.23	0.28	0.33	0.38	0.43	0.48	0.53	0.58	0.63	0.68	0.73	0.78	0.83	0.88	0.93	0.98
36	1.05	1.72	2.38	3.05	3.71	4.38	5.04	5.71	6.37	7.04	7.70	8.37	9.04	9.70	10.37	11.03	11.70	12.36	13.03
0.91	0.10	0.16	0.22	0.28	0.35	0.41	0.47	0.53	0.59	0.65	0.72	0.78	0.84	0.90	0.96	1.03	1.09	1.15	1.21
42	1.26	2.05	2.84	3.64	4.43	5.22	6.02	6.81	7.60	8.40	9.19	9.98	10.78	11.57	12.36	13.16	13.95	14.74	15.54
1.07	0.12	0.19	0.26	0.34	0.41	0.49	0.56	0.63	0.71	0.78	0.85	0.93	1.00	1.08	1.15	1.22	1.30	1.37	1.45
48	1.46	2.38	3.30	4.22	5.15	6.07	6.99	7.91	8.83	9.75	10.68	11.60	12.52	13.44	14.36	15.28	16.21	17.13	18.05
1.22	0.14	0.22	0.31	0.39	0.48	0.56	0.65	0.74	0.82	0.91	0.99	1.08	1.16	1.25	1.34	1.42	1.51	1.59	1.68
54	1.66	2.71	3.76	4.81	5.86	6.91	7.96	9.01	10.06	11.11	12.16	13.21	14.26	15.31	16.36	17.41	18.46	19.51	20.56
1.37	0.15	0.25	0.35	0.45	0.55	0.64	0.74	0.84	0.94	1.03	1.13	1.23	1.33	1.42	1.52	1.62	1.72	1.81	1.91
60	1.87	3.04	4.22	5.40	6.58	7.76	8.93	10.11	11.29	12.47	13.65	14.82	16.00	17.18	18.36	19.54	20.72	21.89	23.07
1.52	0.17	0.28	0.39	0.50	0.61	0.72	0.83	0.94	1.05	1.16	1.27	1.38	1.49	1.60	1.71	1.82	1.93	2.04	2.15
66	2.07	3.37	4.68	5.99	7.29	8.60	9.91	11.21	12.52	13.83	15.13	16.44	17.74	19.05	20.36	21.66	22.97	24.28	25.58
1.68	0.19	0.31	0.44	0.56	0.68	0.80	0.92	1.04	1.16	1.29	1.41	1.53	1.65	1.77	1.89	2.01	2.14	2.26	2.38
72	2.27	3.71	5.14	6.58	8.01	9.44	10.88	12.31	13.75	15.18	16.62	18.05	19.49	20.92	22.36	23.79	25.23	26.66	28.09
1.83	0.21	0.34	0.48	0.61	0.74	0.88	1.01	1.15	1.28	1.41	1.55	1.68	1.81	1.95	2.08	2.21	2.35	2.48	2.61
78	2.47	4.04	5.60	7.16	8.73	10.29	11.85	13.41	14.98	16.54	18.10	19.67	21.23	22.79	24.35	25.92	27.48	29.04	30.61
1.98	0.23	0.38	0.52	0.67	0.81	0.96	1.10	1.25	1.39	1.54	1.68	1.83	1.97	2.12	2.26	2.41	2.56	2.70	2.85
84	2.68	4.37	6.06	7.75	9.44	11.13	12.82	14.52	16.21	17.90	19.59	21.28	22.97	24.66	26.35	28.04	29.73	31.43	33.12
2.13	0.25	0.41	0.56	0.72	0.88	1.04	1.19	1.35	1.51	1.66	1.82	1.98	2.14	2.29	2.45	2.61	2.77	2.92	3.08
90	2.88	4.70	6.52	8.34	10.16	11.98	13.80	15.62	17.44	19.25	21.07	22.89	24.71	26.53	28.35	30.17	31.99	33.81	35.63
2.29	0.27	0.44	0.61	0.78	0.94	1.11	1.28	1.45	1.62	1.79	1.96	2.13	2.30	2.47	2.64	2.81	2.98	3.14	3.31

