

vcPlume-Lite

High Velocity Nozzle

TECHNICAL SPECIFICATIONS



PENNBARRY™

BULLETIN vcPlume-Lite 25

TABLE OF CONTENTS

INTRODUCTION	4
FAN PACKAGES	5
CERTIFICATIONS & LISTINGS	6
060 CLASS 1 BELT & DIRECT DRIVE - AIR PERFORMANCE	7
070 CLASS 1 BELT & DIRECT DRIVE - AIR PERFORMANCE	8
080 CLASS 1 BELT & DIRECT DRIVE - AIR PERFORMANCE	9
105 CLASS 1 BELT & DIRECT DRIVE - AIR PERFORMANCE	10
122 CLASS 1 & 2 BELT & DIRECT DRIVE - AIR PERFORMANCE	11
135 CLASS 1 & 2 BELT & DIRECT DRIVE - AIR PERFORMANCE	12
150 CLASS 1 & 2 BELT & DIRECT DRIVE - AIR PERFORMANCE	13
165 CLASS 1 & 2 BELT & DIRECT DRIVE - AIR PERFORMANCE	14
182 CLASS 1 & 2 BELT & DIRECT DRIVE - AIR PERFORMANCE	15
200 CLASS 1 & 2 BELT & DIRECT DRIVE - AIR PERFORMANCE	16
222 CLASS 1 & 2 BELT & DIRECT DRIVE - AIR PERFORMANCE	17
245 CLASS 1 & 2 BELT & DIRECT DRIVE - AIR PERFORMANCE	18
270 CLASS 1 & 2 BELT & DIRECT DRIVE - AIR PERFORMANCE	19
300 CLASS 1 & 2 BELT & DIRECT DRIVE - AIR PERFORMANCE	20
330 CLASS 1 & 2 BELT & DIRECT DRIVE - AIR PERFORMANCE	21
365 CLASS 1 & 2 BELT & DIRECT DRIVE - AIR PERFORMANCE	22
060 CLASS 1 BELT & DIRECT DRIVE - SOUND PERFORMANCE	23
070 CLASS 1 BELT & DIRECT DRIVE - SOUND PERFORMANCE	23
080 CLASS 1 BELT & DIRECT DRIVE - SOUND PERFORMANCE	24
105 CLASS 1 BELT & DIRECT DRIVE - SOUND PERFORMANCE	24
122 CLASS 1 BELT & DIRECT DRIVE - SOUND PERFORMANCE	25
122 CLASS 2 BELT & DIRECT DRIVE - SOUND PERFORMANCE	25
135 CLASS 1 BELT & DIRECT DRIVE - SOUND PERFORMANCE	26
135 CLASS 2 BELT & DIRECT DRIVE - SOUND PERFORMANCE	26
150 CLASS 1 BELT & DIRECT DRIVE - SOUND PERFORMANCE	27
150 CLASS 2 BELT & DIRECT DRIVE - SOUND PERFORMANCE	27

TABLE OF CONTENTS

165 CLASS 1 BELT & DIRECT DRIVE - SOUND PERFORMANCE	28
165 CLASS 2 BELT & DIRECT DRIVE - SOUND PERFORMANCE	28
182 CLASS 1 BELT & DIRECT DRIVE - SOUND PERFORMANCE	29
182 CLASS 2 BELT & DIRECT DRIVE - SOUND PERFORMANCE	29
200 CLASS 1 BELT & DIRECT DRIVE - SOUND PERFORMANCE	30
200 CLASS 2 BELT & DIRECT DRIVE - SOUND PERFORMANCE	30
222 CLASS 1 BELT & DIRECT DRIVE - SOUND PERFORMANCE	31
222 CLASS 2 BELT & DIRECT DRIVE - SOUND PERFORMANCE	31
245 CLASS 1 BELT & DIRECT DRIVE - SOUND PERFORMANCE	32
245 CLASS 2 BELT & DIRECT DRIVE - SOUND PERFORMANCE	32
270 CLASS 1 BELT & DIRECT DRIVE - SOUND PERFORMANCE	33
270 CLASS 2 BELT & DIRECT DRIVE - SOUND PERFORMANCE	33
300 CLASS 1 BELT & DIRECT DRIVE - SOUND PERFORMANCE	34
300 CLASS 2 BELT & DIRECT DRIVE - SOUND PERFORMANCE	34
330 CLASS 1 BELT & DIRECT DRIVE - SOUND PERFORMANCE	35
330 CLASS 2 BELT & DIRECT DRIVE - SOUND PERFORMANCE	35
365 CLASS 1 BELT & DIRECT DRIVE - SOUND PERFORMANCE	36
365 CLASS 2 BELT & DIRECT DRIVE - SOUND PERFORMANCE	36
SOUND POWER LEVELS GUIDE	37

INTRODUCTION

PennBarry products are backed by extensive research and testing in AMCA Accredited facilities. These tests assure the customer that PennBarry products are of the highest quality in design, construction and performance. Before leaving the plant, each fan is carefully subjected to a test at the field operating rpm. Dynamic balancing is performed by experienced personnel using electronic equipment to ensure smooth and trouble-free operation.

High Plume Centrifugal Laboratory Exhaust

The vcPlume-Lite is a high-efficiency exhaust solution designed to safely and effectively disperse hazardous or unwanted fumes, safeguarding your environment by preventing re-entrainment through adjacent ventilation systems. Engineered for durability and flexibility, it features a broad performance range supported by robust construction and energy-smart technologies - including ECM and Premium Efficient Induction Motors paired with Variable Frequency Drives - for precise airflow control and optimized energy usage.

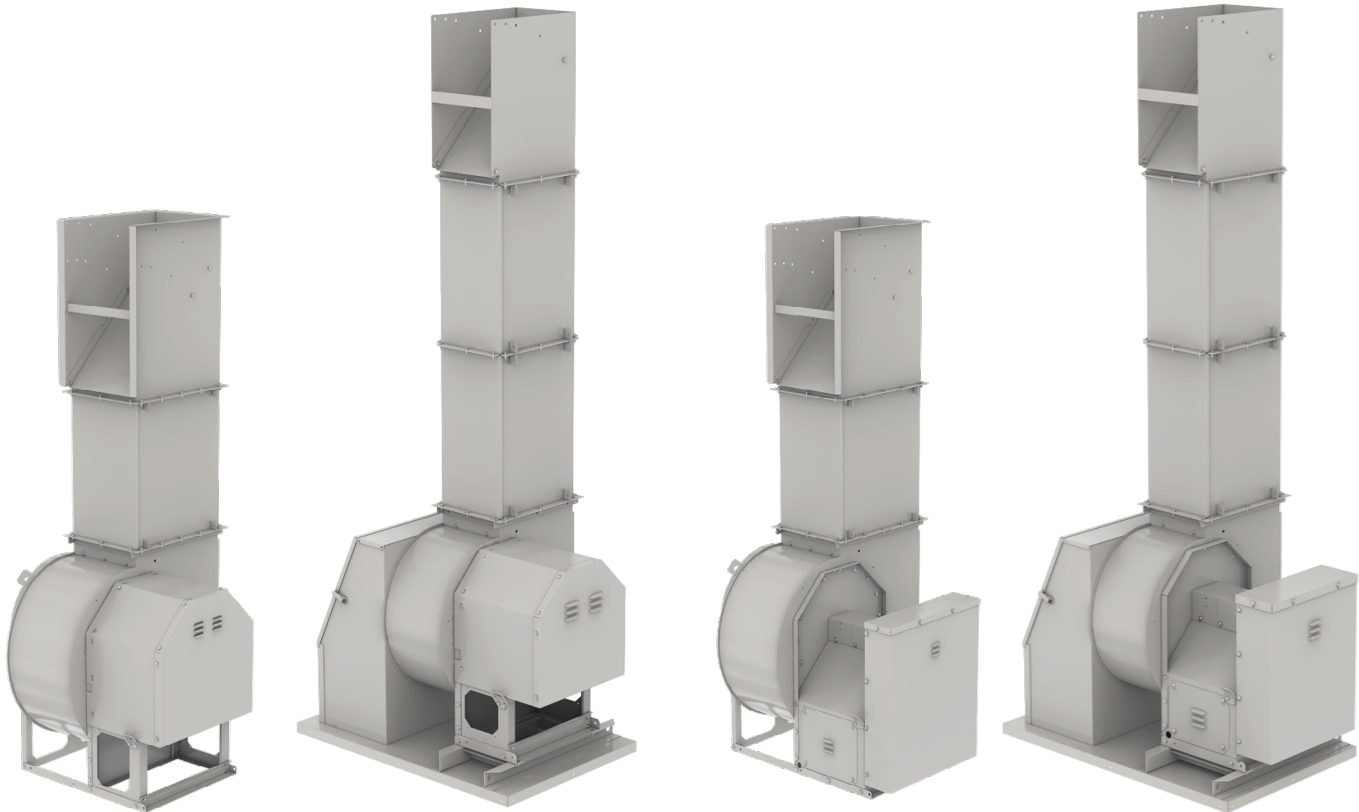
Ideal for a wide spectrum of demanding environments, vcPlume-Lite delivers reliable performance across biomedical labs, pharmaceutical facilities, manufacturing plants, and hospital research spaces.

Direct Drive

Model: vcPlume-Lite - Static pressure up to 7.5" w.g. Direct Drive
- Flow capacity up to 23,000 CFM

Belt Drive

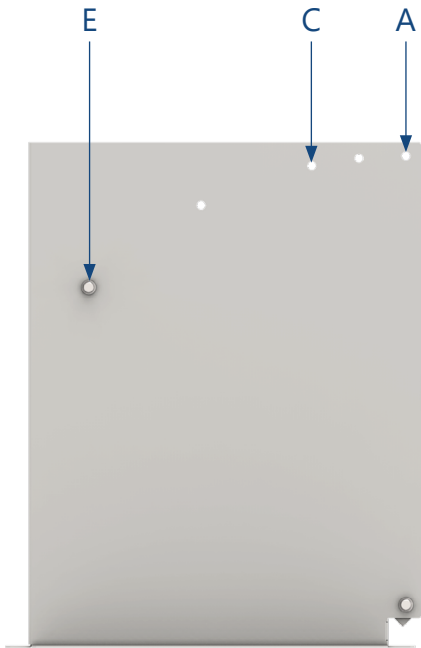
Model: vcPlume-Lite - Static pressure up to 12.5" w.g. Belt Drive -
Flow capacity up to 37,000 CFM



FAN PACKAGES

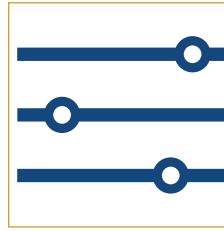
Nozzle

PennBarry vcPlume-Lite Nozzle has five distinct blade positions to control discharge area & discharge velocity depending on the requirement.

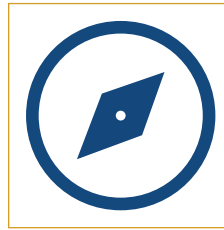


- A - Maximum nozzle position
- C - Intermediate nozzle positions
- E - Minimum nozzle position

Benefits



Adjustable discharge area to change outlet velocity



Five distinct blade positions to provide widespread operating range



User-Friendly design allowing to make changes without specialized tools

CERTIFICATIONS & LISTINGS



vcPlume-Lite AMCA Certifications

PennBarry certifies the vcPlume-Lite model shown herein is licensed to bear the AMCA Seal. The ratings shown are based on tests and procedures performed in accordance with AMCA Publication 211 and AMCA Publication 311 and comply with the requirements of the AMCA Certified Rating Program.



cUL_{US} and UL Certification

vcPlume-Lite carries the UL label, 705 Power Ventilators (ZACT, ZACT7): File #E28413



vcPlume-Lite 060 CLASS 1 | BELT & DIRECT DRIVE - AIR PERFORMANCE

100% Width

Maximum RPM: 4400	Max BHP: (RPM/3577) ³	Outlet Area: 0.66 Sq.Ft.	Wheel Diameter: 10.5"	Tip Speed: 2.75 X RPM	Arr.10 Max Motor Frame Size: 145T
-------------------	----------------------------------	--------------------------	-----------------------	-----------------------	-----------------------------------

Model	CFM	OV	0.06"SP		0.13"SP		0.25"SP		0.5"SP		0.75"SP		1.38"SP		2"SP		2.75"SP		3.75"SP		5"SP		6"SP	
			RPM	BHP	RPM	BHP	RPM	BHP	RPM	BHP	RPM	BHP	RPM	BHP	RPM	BHP	RPM	BHP	RPM	BHP	RPM	BHP	RPM	BHP
E	61	763	546	0.01	695	0.02	931	0.02	1258	0.04	1514	0.06	2021	0.14	2418	0.24								
	98	1228	710	0.02	837	0.03	1003	0.04	1282	0.07	1593	0.07	2083	0.16	2470	0.26								
	136	1694	907	0.04	1008	0.04	1149	0.06	1400	0.08	1630	0.11	2169	0.19	2546	0.3								
	173	2159	1115	0.05	1187	0.06	1317	0.07	1544	0.1	1742	0.13	2175	0.22	2634	0.34								
	210	2625	1316	0.06	1382	0.07	1495	0.09	1692	0.12	1870	0.15	2276	0.25	2610	0.38	2961	0.55						
D	201	696	1268	0.06	1332	0.07	1452	0.08	1660	0.11	1839	0.14	2353	0.26	2585	0.37								
	238	826	1480	0.08	1535	0.09	1636	0.1	1815	0.14	1994	0.17	2370	0.28	2694	0.42	3037	0.59						
	266	923	1642	0.1	1692	0.11	1779	0.12	1954	0.16	2104	0.2	2471	0.32	2784	0.46	3119	0.65	3514	0.92				
	317	1098	1930	0.15	1977	0.16	2050	0.17	2317	0.25	2342	0.26	2672	0.4	2963	0.55	3281	0.75	3661	1.04	4085	1.44	4392	1.78
C	341	686	2075	0.18	2112	0.18	2177	0.2	2322	0.25	2457	0.3	2773	0.45	3054	0.6	3363	0.81	3736	1.11	4153	1.52		
	378	761	2287	0.22	2325	0.24	2388	0.26	2517	0.31	2641	0.37	2936	0.52	3202	0.69	3498	0.91	3858	1.22	4264	1.65		
	406	817	2452	0.27	2487	0.29	2546	0.31	2667	0.37	2784	0.43	3064	0.59	3319	0.76	3605	0.99	3955	1.32	4353	1.76		
	434	874	2617	0.33	2650	0.35	2705	0.38	2819	0.44	2930	0.5	3196	0.67	3440	0.85	3716	1.08	4057	1.42				
	490	986	2948	0.48	2977	0.49	3026	0.52	3128	0.59	3227	0.66	3469	0.84	3694	1.04	3951	1.29	4272	1.65				
B	481	831	2895	0.45	2924	0.47	2974	0.5	3078	0.56	3179	0.63	3424	0.81	3652	1	3913	1.25	4237	1.61				
	518	896	3114	0.56	3141	0.58	3188	0.61	3284	0.68	3379	0.75	3609	0.94	3826	1.14	4074	1.4	4386	1.77				
	546	944	3280	0.65	3306	0.67	3350	0.71	3441	0.78	3531	0.85	3752	1.05	3960	1.26	4200	1.53						
	574	993	3446	0.76	3470	0.78	3512	0.81	3600	0.89	3686	0.97	3897	1.17	4097	1.39	4329	1.67						
	630	1089	3778	1	3800	1.02	3839	1.06	3918	1.14	3997	1.23	4192	1.45	4378	1.68								
A	621	941	3724	0.96	3747	0.98	3786	1.02	3867	1.1	3947	1.18	4144	1.4	4332	1.63								
	649	983	3891	1.09	3912	1.11	3950	1.15	4027	1.24	4104	1.32	4293	1.55										
	677	1026	4057	1.24	4078	1.26	4114	1.3	4188	1.39	4262	1.48												
	705	1069	4223	1.39	4243	1.42	4278	1.46	4349	1.55														
	734	1112	4396	1.57																				

Performance certified is for installation type B-Free inlet, Ducted outlet. Power rating (BHP) does not include transmission losses. Performance ratings do not include the effects of appurtenances.

vcPlume-Lite 070 CLASS 1 | BELT & DIRECT DRIVE - AIR PERFORMANCE

100% Width

Maximum RPM: 4400	Max BHP: (RPM/3378) ³	Outlet Area: 0.66 Sq.Ft.	Wheel Diameter: 10.5"	Tip Speed: 2.75 X RPM	Max Motor Frame Size: 145T
-------------------	----------------------------------	--------------------------	-----------------------	-----------------------	----------------------------

Model	CFM	OV	0.06"SP		0.13"SP		0.25"SP		0.5"SP		0.75"SP		1.38"SP		2"SP		2.75"SP		3.75"SP		5"SP		6"SP				
			RPM	BHP	RPM	BHP	RPM	BHP	RPM	BHP	RPM	BHP	RPM	BHP	RPM	BHP	RPM	BHP	RPM	BHP	RPM	BHP	RPM	BHP	RPM	BHP	
E	115	1438	538	0.01	687	0.02	885	0.03	1221	0.04																	
	181	2266	701	0.02	819	0.02	989	0.04	1272	0.06	1523	0.08															
	248	3094	891	0.03	987	0.04	1124	0.05	1374	0.07	1586	0.1															
	314	3922	1092	0.04	1164	0.05	1275	0.06	1498	0.09	1694	0.12	2103	0.2	2449	0.32											
	380	4750	1281	0.06	1346	0.06	1448	0.08	1643	0.11	1820	0.14	2293	0.3	2532	0.35	2886	0.52									
D	377	1306	1271	0.05	1336	0.06	1437	0.08	1630	0.1	1806	0.14	2286	0.3	2528	0.35	2882	0.52									
	445	1543	1475	0.08	1530	0.08	1620	0.1	1787	0.13	1948	0.16	2311	0.27	2628	0.4	2969	0.57	3371	0.83							
	514	1779	1687	0.11	1739	0.11	1817	0.13	1969	0.16	2104	0.2	2445	0.32	2744	0.45	3070	0.63	3459	0.9	3893	1.28					
	582	2016	1894	0.14	1940	0.15	2013	0.17	2148	0.21	2276	0.25	2589	0.38	2870	0.52	3181	0.71	3557	0.98	3978	1.37	4287	1.71			
	650	2252	2110	0.2	2135	0.2	2342	0.28	2333	0.26	2455	0.31	2744	0.45	3007	0.59	3303	0.79	3665	1.08	4074	1.48	4375	1.82			
C	640	1287	2078	0.19	2116	0.19	2182	0.21	2304	0.26	2428	0.3	2720	0.43	2987	0.58	3285	0.78	3648	1.06	4059	1.46	4361	1.81			
	687	1382	2218	0.22	2255	0.23	2316	0.25	2438	0.3	2554	0.35	2832	0.49	3087	0.64	3374	0.84	3727	1.13	4130	1.54					
	755	1517	2432	0.29	2465	0.3	2521	0.33	2634	0.38	2742	0.43	3000	0.58	3239	0.73	3511	0.94	3850	1.25	4239	1.67					
	822	1653	2709	0.4	2739	0.41	2790	0.44	2892	0.5	2990	0.55	3227	0.71	3448	0.88	3702	1.1	3979	1.38	4355	1.81					
	910	1830	2920	0.5	2948	0.51	2995	0.54	3091	0.6	3183	0.67	3406	0.83	3614	1.01	3855	1.24	4160	1.57							
B	902	1559	2895	0.48	2923	0.5	2971	0.53	3067	0.59	3160	0.65	3384	0.82	3594	0.99	3837	1.22	4143	1.55							
	969	1675	3107	0.6	3133	0.62	3177	0.65	3568	0.71	3355	0.78	3566	0.95	3765	1.13	3996	1.37	4289	1.71							
	1036	1791	3318	0.73	3343	0.75	3385	0.78	3470	0.85	3552	0.92	3752	1.1	3941	1.29	4160	1.54									
	1103	1906	3530	0.88	3354	0.9	3593	0.93	3673	1.01	3751	1.08	3941	1.27	4120	1.47	4329	1.73									
	1170	2022	3742	1.04	3764	1.07	3802	1.1	3877	1.18	3952	1.26	4132	1.46	4303	1.67											
A	1165	1765	3727	1.03	3749	1.05	3786	1.09	3862	1.17	3937	1.24	4118	1.45	4289	1.66											
	1217	1844	3891	1.17	3912	1.2	3948	1.23	4021	1.32	4093	1.4	4267	1.61													
	1270	1923	3869	1.15	4079	1.36	4114	1.4	4184	1.48	4253	1.56															
	1322	2003	4224	1.5	4243	1.53	4276	1.57	4344	1.65																	
	1374	2082	4389	1.68																							

Performance certified is for installation type B-Free inlet, Ducted outlet. Power rating (BHP) does not include transmission losses. Performance ratings do not include the effects of appurtenances.

vcPlume-Lite 080 CLASS 1 | BELT & DIRECT DRIVE - AIR PERFORMANCE

100% Width

Maximum RPM: 4400		Max BHP: (RPM/3488) ³				Outlet Area: 0.66 Sq.Ft.				Wheel Diameter: 10.5"				Tip Speed: 2.75 X RPM				Max Motor Frame Size: 145T							
Model	CFM	OV	0.06"SP		0.13"SP		0.25"SP		0.5"SP		0.75"SP		1.38"SP		2"SP		2.75"SP		3.75"SP		5"SP		6"SP		
			RPM	BHP	RPM	BHP	RPM	BHP	RPM	BHP	RPM	BHP	RPM	BHP	RPM	BHP	RPM	BHP	RPM	BHP	RPM	BHP	RPM	BHP	
E	155	1938	548	0.01	682	0.02	873	0.03	1182	0.05															
	241	3016	715	0.02	828	0.02	976	0.04	1246	0.06	1469	0.08	1912	0.17											
	328	4094	912	0.04	1004	0.04	1130	0.05	1353	0.07	1560	0.1	1993	0.18	2366	0.28	2769	0.44							
	414	5172	1115	0.05	1192	0.06	1302	0.06	1505	0.09	1685	0.12	2070	0.2	2418	0.3	2788	0.46	3232	0.7					
	500	6250	1324	0.06	1382	0.07	1482	0.08	1668	0.11	1814	0.14	2174	0.23	2499	0.34	2848	0.49	3265	0.74	3736	1.09	4088	1.42	
D	493	1708	1306	0.06	1363	0.07	1461	0.08	1645	0.11	1806	0.14	2169	0.22	2492	0.33	2842	0.49	3261	0.73	3734	1.09	4089	1.42	
	580	2009	1512	0.08	1566	0.09	1649	0.11	1818	0.14	1967	0.17	2300	0.27	2595	0.38	2924	0.54	3322	0.79	3771	1.14	4103	1.45	
	667	2309	1725	0.11	1773	0.12	1851	0.14	2003	0.17	2142	0.21	2447	0.32	2719	0.44	3026	0.6	3404	0.85	3834	1.21	4152	1.52	
	753	2610	1946	0.15	1985	0.16	2042	0.18	2187	0.22	2316	0.27	2604	0.39	2859	0.51	3145	0.68	3501	0.93	3913	1.29	4219	1.61	
C	840	2911	2155	0.2	2190	0.23	2251	0.25	2379	0.29	2500	0.34	2772	0.47	3012	0.6	3281	0.78	3616	1.03	4007	1.4	4301	1.72	
	830	1669	2130	0.19	2171	0.2	2227	0.24	2356	0.28	2478	0.33	2753	0.46	2994	0.59	3264	0.76	3602	1.02	3996	1.39	4291	1.71	
	915	1840	2342	0.28	2374	0.29	2430	0.31	2548	0.36	2662	0.41	2922	0.55	3151	0.69	3407	0.87	3726	1.13	4101	1.5	4384	1.83	
	1000	2011	2555	0.36	2584	0.37	2635	0.39	2743	0.45	2849	0.5	3097	0.65	3315	0.8	3559	0.99	3862	1.27	4218	1.64			
	1085	2182	2768	0.45	2795	0.47	2841	0.49	2941	0.55	3040	0.61	3275	0.77	3485	0.93	3718	1.13	4008	1.42	4347	1.8			
B	1170	2353	2982	0.57	3006	0.58	3049	0.61	3141	0.67	3233	0.73	3456	0.9	3658	1.07	3882	1.29	4160	1.58					
	1168	2019	2977	0.57	3001	0.58	3044	0.61	3136	0.67	3229	0.73	3452	0.9	3654	1.07	3879	1.28	4157	1.58					
	1254	2166	3193	0.7	3216	0.71	3255	0.74	3341	0.81	3427	0.87	3639	1.05	3832	1.23	4049	1.46	4317	1.77					
	1339	2314	3407	0.85	3428	0.86	3465	0.89	3544	0.96	3625	1.03	3826	1.22	4012	1.41	4222	1.65							
	1425	2462	3624	1.02	3644	1.04	3678	1.07	3752	1.14	3828	1.21	4018	1.41	4196	1.61	4399	1.87							
A	1510	2610	3838	1.21	3857	1.23	3889	1.26	3959	1.34	4030	1.41	4210	1.62	4381	1.84									
	1505	2280	3825	1.2	3844	1.22	3877	1.25	3946	1.32	4018	1.4	4198	1.61	4370	1.82									
	1562	2366	3969	1.34	3987	1.36	4018	1.39	4085	1.47	4154	1.55	4328	1.76											
	1619	2452	4113	1.49	4130	1.51	4160	1.55	4225	1.62	4291	1.7													
	1675	2538	4254	1.65	4271	1.67	4300	1.71	4362	1.79															
	1732	2624	4398	1.82																					

Performance certified is for installation type B-Free inlet, Ducted outlet. Power rating (BHP) does not include transmission losses. Performance ratings do not include the effects of appurtenances.

vcPlume-Lite 105 CLASS 1 | BELT & DIRECT DRIVE - AIR PERFORMANCE

100% Width

Maximum RPM: 4400	Max BHP: (RPM/3230) ³	Outlet Area: 0.66 Sq.Ft.	Wheel Diameter: 10.5"	Tip Speed: 2.75 X RPM	Max Motor Frame Size: 145T
-------------------	----------------------------------	--------------------------	-----------------------	-----------------------	----------------------------

Model	CFM	OV	0.06"SP		0.13"SP		0.25"SP		0.5"SP		0.75"SP		1.38"SP		2"SP		2.75"SP		3.75"SP		5"SP		6"SP		
			RPM	BHP	RPM	BHP	RPM	BHP	RPM	BHP	RPM	BHP	RPM	BHP	RPM	BHP	RPM	BHP	RPM	BHP	RPM	BHP	RPM	BHP	
E	189	2363	500	0.01	855	0.03	1193	0.06	1445	0.08	1754	0.12													
	300	3750	546	0.01	944	0.04	1216	0.06	1460	0.09	1735	0.13	2210	0.24	2471	0.32	2952	0.5							
	500	6250	909	0.03	1180	0.06	1387	0.09	1590	0.13	1834	0.18	2217	0.28	2504	0.4	2989	0.64	3409	0.9	3869	1.26	4276	1.62	
	700	8750	1271	0.06	1459	0.1	1631	0.14	1786	0.18	2001	0.24	2343	0.37	2591	0.48	3042	0.74	3444	1.04	3896	1.44	4305	1.88	
	880	11000	1584	0.1	1735	0.14	1892	0.2	2015	0.24	2206	0.32	2507	0.47	2728	0.59	3139	0.87	3515	1.18	3945	1.61	4340	2.07	
D	867	3004	1561	0.1	1711	0.14	1865	0.19	2008	0.24	2175	0.3	2493	0.46	2717	0.58	3131	0.86	3509	1.17	3940	1.59	4337	2.06	
	1000	3465	1793	0.13	1929	0.18	2058	0.24	2187	0.3	2353	0.38	2639	0.54	2845	0.68	3229	0.97	3586	1.3	3998	1.74	4380	2.22	
	1200	4158	2141	0.2	2243	0.28	2364	0.35	2480	0.42	2631	0.52	2887	0.71	3071	0.86	3417	1.18	3741	1.53	4123	1.99			
	1400	4851	2477	0.34	2579	0.41	2684	0.49	2787	0.57	2923	0.69	3158	0.91	3325	1.08	3640	1.43	3936	1.8	4287	2.3			
	1600	5544	2831	0.51	2920	0.59	3011	0.68	3103	0.77	3227	0.9	3443	1.15	3598	1.34	3889	1.73	4161	2.14					
C	1492	3001	2640	0.41	2735	0.49	2834	0.57	2931	0.66	3062	0.78	3287	1.01	3449	1.19	3752	1.56	4037	1.95					
	1600	3218	2831	0.51	2920	0.59	3011	0.68	3103	0.77	3227	0.9	3443	1.15	3598	1.34	3889	1.73	4161	2.14					
	1800	3620	3185	0.72	3263	0.81	3344	0.91	3426	1.01	3539	1.16	3739	1.44	3883	1.65	4154	2.08							
	2000	4023	3539	0.99	3609	1.09	3681	1.2	3755	1.31	3858	1.47	4042	1.78	4178	2.02									
	2200	4425	3893	1.32	3956	1.43	4022	1.54	4088	1.66	4182	1.84	4353	2.17											
B	1736	3000	3072	0.65	3153	0.74	3237	0.83	3322	0.93	3438	1.07	3643	1.34	3791	1.55	4068	1.96	4328	2.39					
	1900	3284	3362	0.85	3436	0.94	3512	1.05	3590	1.15	3697	1.31	3889	1.6	4029	1.83	4292	2.28							
	2050	3543	3627	1.07	3696	1.17	3766	1.28	3838	1.39	3938	1.56	4119	1.87	4253	2.11									
	2200	3802	3893	1.32	3956	1.43	4022	1.54	4088	1.66	4182	1.84	4353	2.17											
	2400	4148	4247	1.71	4305	1.83	4364	1.95																	
A	1980	3000	3503	0.96	3574	1.06	3648	1.17	3722	1.28	3825	1.44	4012	1.74	4148	1.98									
	2100	3182	3716	1.15	3782	1.25	3851	1.36	3921	1.48	4019	1.65	4197	1.97	4328	2.22									
	2250	3409	3981	1.41	4043	1.52	4107	1.64	4172	1.76	4264	1.94													
	2400	3636	4247	1.71	4305	1.83	4364	1.95																	
	2528	3830	4400	1.8																					

Performance certified is for installation type B-Free inlet, Ducted outlet. Power rating (BHP) does not include transmission losses. Performance ratings do not include the effects of appurtenances.

vcPlume-Lite 122 CLASS 1&2 | BELT & DIRECT DRIVE - AIR PERFORMANCE

100% Width

Class 1	Maximum RPM: 3550	Max BHP: (RPM/2552)^3	Outlet Area: 0.9 Sq.Ft.	Wheel Diameter: 12.25"	Tip Speed: 3.21 X RPM	Max Motor Frame Size: 182T
Class 2	Maximum RPM: 4650	Max BHP: (RPM/2550)^3	Outlet Area: 0.9 Sq.Ft.	Wheel Diameter: 12.25"	Tip Speed: 3.21 X RPM	Max Motor Frame Size: 215T

Nozzle Position	CFM	OV	0.06"SP		1"SP		1.5"SP		2"SP		3"SP		4"SP		5"SP		7"SP		9"SP		10.5"SP		12.5"SP			
			RPM	BHP	RPM	BHP	RPM	BHP	RPM	BHP	RPM	BHP	RPM	BHP	RPM	BHP	RPM	BHP	RPM	BHP	RPM	BHP	RPM	BHP	RPM	BHP
E	348	2211	500	0.01																						
	473	3005	621	0.02																						
	750	4765	891	0.04	1413	0.18	1645	0.26	1875	0.36																
	1000	6353	1137	0.08	1576	0.25	1757	0.34	1948	0.44	2412	0.68	2620	0.92												
	1300	8259	1441	0.22	1802	0.52	1967	0.46	2127	0.58	2419	0.83	2703	1.12	2971	1.43	3461	2.1								
D	1216	3000	1352	0.18	1734	0.32	1906	0.43	2068	0.53	2391	0.79	2673	1.06	2950	1.36	3444	2.01								
	1500	3701	1642	0.26	1968	0.44	2122	0.57	2264	0.69	2534	0.97	2792	1.28	3040	1.6	3506	2.32	3930	3.1	4220	3.71				
	1700	4194	1853	0.32	2148	0.56	2293	0.69	2418	0.85	2669	1.15	2903	1.47	3134	1.81	3568	2.56	3975	3.38	4261	4.03	4617	4.94		
	1900	4688	2063	0.44	2331	0.68	2460	0.88	2584	1.03	2818	1.35	3038	1.69	3249	2.05	3652	2.83	4036	3.68	4311	4.37	4659	5.33		
	2200	5428	2394	0.69	2623	0.93	2731	1.09	2830	1.95	3049	1.61	3248	1.97	3445	2.38	3781	3.14	4161	4.13	4413	4.85	4758	5.92		
C	1960	3001	2129	0.49	2387	0.78	2514	0.93	2636	1.09	2864	1.42	3080	1.76	3286	2.13	3681	2.92	4058	3.78	4328	4.47	4673	5.44		
	2150	3291	2339	0.64	2570	0.97	2688	1.13	2802	1.3	3017	1.65	3220	2.01	3414	2.4	3785	3.22	4139	4.11	4396	4.83	4726	5.83		
	2350	3598	2556	0.91	2766	1.2	2876	1.37	2982	1.55	3185	1.92	3376	2.31	3560	2.72	3908	3.58	4242	4.51	4484	5.24	4798	6.28		
	2550	3904	2771	1.16	2965	1.47	3067	1.65	3167	1.84	3358	2.24	3540	2.65	3713	3.08	4044	3.99	4359	4.95	4588	5.71	4885	6.78		
	2700	4133	2932	1.38	3116	1.7	3213	1.89	3308	2.09	3491	2.5	3666	2.93	3833	3.38	4152	4.32	4455	5.31	4675	6.09				
B	2330	3000	2534	0.89	2746	1.17	2857	1.34	2964	1.52	3168	1.89	3360	2.28	3545	2.69	3895	3.54	4231	4.47	4474	5.2	4790	6.23		
	2600	3348	2825	1.23	3015	1.54	3115	1.73	3213	1.92	3402	2.32	3581	2.74	3753	3.18	4079	4.09	4390	5.07	4616	5.83	4910	6.91		
	2800	3605	3040	1.53	3217	1.86	3311	2.06	3403	2.26	3581	2.69	3752	3.13	3915	3.59	4226	4.55	4522	5.57	4737	6.36				
	3000	3863	3256	1.88	3421	2.23	3508	2.44	3595	2.65	3764	3.1	3926	3.57	4083	4.05	4380	5.06	4663	6.12	4868	6.94				
	3200	4121	3472	2.28	3626	2.65	3708	2.87	3790	3.09	3950	3.56	4105	4.05	4255	4.56	4540	5.62	4811	6.72						
A	2700	3000	2932	1.38	3116	1.7	3213	1.89	3308	2.09	3491	2.5	3666	2.93	3833	3.38	4152	4.32	4455	5.31	4675	6.09				
	3200	3556	3472	2.28	3626	2.65	3708	2.87	3790	3.09	3950	3.56	4105	4.05	4255	4.56	4540	5.62	4811	6.72						
	3600	4000	3903	3.24	4040	3.65	4114	3.89	4187	4.13	4331	4.65	4472	5.18	4610	5.74	4874	6.89								
	3800	4222	4119	3.81	4249	4.24	4318	4.49	4388	4.74	4525	5.28	4660	5.83	4792	6.41										
	4231	4701	4585	5.25	4701	5.73	4763	6	4826	6.27																

Performance certified is for installation type B-Free inlet, Ducted outlet. Power rating (BHP) does not include transmission losses. Performance ratings do not include the effects of appurtenances.

vcPlume-Lite 135 CLASS 1&2 | BELT & DIRECT DRIVE - AIR PERFORMANCE

100% Width

Class 1	Maximum RPM: 3222	Max BHP: (RPM/2171)^3	Outlet Area: 1.09 Sq.Ft.	Wheel Diameter: 13.5"	Tip Speed: 3.53 X RPM	Max Motor Frame Size: 182T
Class 2	Maximum RPM: 4250	Max BHP: (RPM/2172)^3	Outlet Area: 1.09 Sq.Ft.	Wheel Diameter: 13.5"	Tip Speed: 3.53 X RPM	Max Motor Frame Size: 215T

Nozzle Position	CFM	OV	0.06"SP		1"SP		1.5"SP		2"SP		3"SP		4"SP		5"SP		7"SP		9"SP		10.5"SP		12.5"SP		
			RPM	BHP	RPM	BHP	RPM	BHP	RPM	BHP	RPM	BHP	RPM	BHP	RPM	BHP	RPM	BHP	RPM	BHP	RPM	BHP	RPM	BHP	
E	346	2841	400	0.01																					
	600	4926	581	0.03	1190	0.15																			
	800	6568	730	0.04	1242	0.19	1471	0.28																	
	1100	9031	946	0.08	1372	0.26	1557	0.38	1736	0.49	2052	0.75													
	1339	10993	1125	0.13	1491	0.34	1657	0.46	1826	0.59	2113	0.87	2398	1.19	2652	1.54									
D	1340	3000	1126	0.13	1492	0.34	1659	0.46	1808	0.58	2114	0.87	2398	1.19	2652	1.54									
	1600	3583	1324	0.21	1643	0.44	1793	0.57	1987	0.71	2203	1.02	2459	1.37	2702	1.75	3141	2.57							
	1900	4254	1551	0.36	1835	0.58	1977	0.74	2106	0.9	2337	1.25	2565	1.62	2784	2.02	3198	2.91	3576	3.87	3836	4.61			
	2200	4926	1793	0.46	2047	0.76	2162	1.43	2278	1.15	2496	1.52	2702	1.93	2900	2.35	3278	3.28	3637	4.31	3890	5.12	4208	6.25	
	2500	5598	2031	0.68	2252	1.06	2363	1.25	2470	1.45	2671	1.86	2860	2.29	3041	2.75	3387	3.73	3719	4.8	3959	5.65	4265	6.85	
C	2315	3001	1878	0.54	2123	0.84	2238	1.07	2351	1.26	2562	1.65	2760	2.06	2951	2.5	3317	3.44	3665	4.49	3914	5.32	4229	6.48	
	2500	3241	2031	0.68	2252	1.06	2363	1.25	2470	1.45	2671	1.86	2860	2.29	3041	2.75	3387	3.73	3719	4.8	3959	5.65	4265	6.85	
	2700	3500	2195	0.94	2397	1.27	2501	1.47	2602	1.68	2794	2.12	2974	2.57	3146	3.05	3474	4.06	3788	5.16	4017	6.04	4312	7.28	
	2900	3759	2356	1.16	2544	1.51	2642	1.72	2738	1.94	2920	2.4	3092	2.89	3256	3.38	3569	4.44	3868	5.57	4086	6.47	4368	7.74	
	3200	4148	2597	1.55	2768	1.94	2858	2.16	2946	2.4	3116	2.9	3272	3.41	3432	3.95	3725	5.06	4004	6.25	4207	7.19	4471	8.5	
B	2793	3001	2270	1.04	2465	1.38	2567	1.59	2665	1.8	2852	2.25	3028	2.71	3196	3.2	3517	4.23	3824	5.35	4048	6.24	4337	7.49	
	3000	3223	2437	1.28	2618	1.65	2714	1.86	2807	2.09	2985	2.56	3153	3.05	3314	3.56	3619	4.64	3911	5.79	4124	6.7	4400	7.98	
	3200	3438	2597	1.55	2768	1.94	2858	2.16	2946	2.4	3116	2.9	3272	3.41	3432	3.95	3725	5.06	4004	6.25	4207	7.19	4471	8.5	
	3400	3653	2759	1.86	2919	2.26	3004	2.5	3088	2.75	3250	3.27	3405	3.81	3553	4.37	3835	5.53	4103	6.76	4298	7.72	4551	9.06	
	3600	3868	2920	2.21	3071	2.63	3151	2.87	3231	3.13	3386	3.67	3535	4.24	3678	4.82	3950	6.03	4208	7.3	4395	8.29	4639	9.67	
A	3270	3000	2654	1.66	2820	2.05	2909	2.28	2995	2.52	3163	3.02	3322	3.55	3474	4.09	3763	5.22	4038	6.42	4238	7.37	4498	8.69	
	3800	3486	3081	2.59	3224	3.03	3300	3.29	3376	3.56	3525	4.12	3668	4.71	3806	5.32	4069	6.58	4318	7.89	4498	8.91			
	4250	3899	3444	3.62	3571	4.1	3640	4.38	3708	4.67	3843	5.29	3974	5.93	4102	6.59	4346	7.95	4578	9.38					
	4700	4312	3807	4.89	3922	5.42	3984	5.72	4045	6.03	4169	6.69	4290	7.38	4408	8.09	4636	9.57							
	5189	4761	4201	6.57	4305	7.15	4361	7.48	4417	7.81	4529	8.52	4640	9.26											

Performance certified is for installation type B-Free inlet, Ducted outlet. Power rating (BHP) does not include transmission losses. Performance ratings do not include the effects of appurtenances.

vcPlume-Lite 150 CLASS 1&2 | BELT & DIRECT DRIVE - AIR PERFORMANCE

100% Width

Class 1	Maximum RPM: 2900	Max BHP: (RPM/1821) ³	Outlet Area: 1.33 Sq.Ft.	Wheel Diameter: 15"	Tip Speed: 3.93 X RPM	Max Motor Frame Size: 184T
Class 2	Maximum RPM: 3880	Max BHP: (RPM/1819) ³	Outlet Area: 1.33 Sq.Ft.	Wheel Diameter: 15"	Tip Speed: 3.93 X RPM	Max Motor Frame Size: 215T

Nozzle Position	CFM	OV	0.06"SP		1"SP		1.5"SP		2"SP		3"SP		4"SP		5"SP		7"SP		9"SP		10.5"SP		12.5"SP	
			RPM	BHP	RPM	BHP	RPM	BHP	RPM	BHP	RPM	BHP	RPM	BHP	RPM	BHP	RPM	BHP	RPM	BHP	RPM	BHP	RPM	BHP
E	407	1827	350	0.01																				
	669	3003	486	0.03																				
	1000	4488	664	0.05	1118	0.23	1322	0.35																
	1400	6284	876	0.13	1248	0.34	1414	0.48	1573	0.63	1854	0.94	2125	1.31										
	1800	8079	1091	0.2	1410	0.48	1551	0.63	1684	0.79	1928	1.14	2180	1.57	2406	2.02								
D	1763	3000	1075	0.19	1393	0.46	1533	0.61	1666	0.77	1933	1.14	2174	1.54	2401	1.99								
	2100	3574	1256	0.32	1536	0.6	1673	0.78	1788	0.94	2020	1.35	2242	1.79	2453	2.27	2843	3.31	3187	4.42				
	2400	4084	1425	0.41	1677	0.74	1806	0.95	1907	1.12	2123	1.58	2325	2.05	2519	2.55	2887	3.65	3226	4.85	3460	5.79		
	2700	4595	1604	0.56	1831	0.93	1939	1.14	2043	1.4	2240	1.87	2426	2.36	2605	2.89	2947	4.03	3270	5.29	3499	6.3	3786	7.69
	3000	5106	1776	0.78	1982	1.23	2084	1.46	2182	1.69	2366	2.19	2539	2.72	2706	3.27	3024	4.47	3328	5.77	3547	6.82	3826	8.29
C	2858	3001	1690	0.67	1910	1.03	2014	1.32	2115	1.55	2306	2.03	2484	2.54	2656	3.08	2985	4.25	3299	5.54	3523	6.57	3806	8
	3000	3150	1776	0.78	1982	1.23	2084	1.46	2182	1.69	2366	2.19	2539	2.72	2706	3.27	3024	4.47	3328	5.77	3547	6.82	3826	8.29
	3200	3360	1896	0.95	2086	1.43	2184	1.67	2277	1.92	2454	2.44	2620	2.99	2779	3.56	3084	4.79	3375	6.13	3586	7.2	3857	8.7
	3400	3570	2015	1.23	2193	1.65	2285	1.9	2375	2.16	2545	2.71	2705	3.28	2857	3.87	3149	5.14	3428	6.51	3631	7.6		
	3600	3780	2132	1.46	2300	1.89	2388	2.15	2474	2.43	2637	3	2792	3.59	2939	4.21	3219	5.52	3488	6.92	3683	8.03		
B	3424	3000	2029	1.25	2206	1.68	2298	1.93	2387	2.19	2556	2.74	2715	3.31	2867	3.91	3157	5.18	3435	6.55	3637	7.65		
	3600	3155	2132	1.46	2300	1.89	2388	2.15	2474	2.43	2637	3	2792	3.59	2939	4.21	3219	5.52	3488	6.92	3683	7.6		
	3800	3330	2249	1.71	2409	2.17	2493	2.44	2575	2.72	2732	3.32	2881	3.94	3023	4.58	3294	5.93	3552	7.36	3740	8.5		
	4000	3505	2367	1.99	2518	2.47	2598	2.75	2677	3.04	2828	3.66	2972	4.31	3110	4.97	3372	6.36	3621	7.84	3802	9		
	4200	3680	2484	2.3	2628	2.8	2705	3.09	2780	3.4	2926	4.04	3066	4.7	3199	5.39	3453	6.83	3694	8.35	3869	9.54		
A	3990	3000	2361	1.98	2512	2.45	2593	2.73	2672	3.03	2823	3.64	2968	4.29	3106	4.95	3368	6.34	3618	7.81	3799	8.98		
	4500	3383	2660	2.83	2794	3.35	2866	3.66	2937	3.98	3076	4.65	3208	5.36	3336	6.09	3579	7.59	3809	9.17				
	5000	3759	2954	3.87	3075	4.44	3139	4.78	3204	5.12	3330	5.85	3453	6.61	3572	7.4	3799	9.03						
	5500	4135	3248	5.14	3357	5.77	3416	6.12	3475	6.5	3591	7.28	3705	8.1	3816	8.94								
	6486	4877	3828	8.41																				

Performance certified is for installation type B-Free inlet, Ducted outlet. Power rating (BHP) does not include transmission losses. Performance ratings do not include the effects of appurtenances.

vcPlume-Lite 165 CLASS 1&2 | BELT & DIRECT DRIVE - AIR PERFORMANCE

100% Width

Class 1	Maximum RPM: 2636	Max BHP: (RPM/1553)^3	Outlet Area: 1.62 Sq.Ft.	Wheel Diameter: 16.5"	Tip Speed: 4.32 X RPM	Max Motor Frame Size: 184T
Class 2	Maximum RPM: 3790	Max BHP: (RPM/1552)^3	Outlet Area: 1.62 Sq.Ft.	Wheel Diameter: 16.5"	Tip Speed: 4.32 X RPM	Max Motor Frame Size: 256T

Nozzle Position	CFM	OV	0.06"SP		1"SP		1.5"SP		2"SP		3"SP		4"SP		5"SP		7"SP		9"SP		10.5"SP		12.5"SP		
			RPM	BHP	RPM	BHP	RPM	BHP	RPM	BHP	RPM	BHP	RPM	BHP	RPM	BHP	RPM	BHP	RPM	BHP	RPM	BHP	RPM	BHP	RPM
E	576	1706	350	0.02																					
	1000	2962	516	0.05	984	0.24																			
	1500	4443	669	0.12	1077	0.35	1294	0.76	1397	0.68	1642	1.01													
	2000	5924	921	0.19	1221	0.51	1391	0.99	1494	0.89	1728	1.3	1962	1.78	2171	2.3									
	2400	7109	1088	0.33	1351	0.66	1474	0.86	1592	1.08	1804	1.53	2013	2.05	2211	2.62	2572	3.85							
D	2235	3000	1017	0.27	1296	0.6	1421	0.78	1540	0.98	1847	2.18	1989	1.94	2193	2.49	2557	3.67							
	2600	3490	1168	0.42	1418	0.75	1531	0.95	1648	1.19	1851	1.67	2048	2.21	2238	2.79	2590	4.07	2905	5.44					
	2900	3893	1296	0.59	1522	0.89	1639	1.14	1731	1.35	1929	1.91	2112	2.48	2289	3.08	2624	4.41	2933	5.87	3146	7.01			
	3200	4296	1428	0.64	1642	1.09	1739	1.33	1834	1.64	2016	2.19	2187	2.78	2352	3.41	2667	4.79	2964	6.3	3174	7.51	3436	9.18	
	3600	4833	1601	0.91	1789	1.46	1883	1.73	1972	2.02	2141	2.62	2299	3.25	2451	3.92	2742	5.36	3020	6.93	3220	8.2	3474	9.97	
C	3457	3000	1536	0.81	1736	1.25	1830	1.6	1922	1.88	2095	2.46	2258	3.07	2414	3.73	2713	5.14	2998	6.7	3202	7.94	3460	9.68	
	3700	3211	1646	0.99	1829	1.55	1920	1.83	2008	2.12	2173	2.74	2329	3.38	2478	4.06	2764	5.51	3036	7.1	3233	8.38	3485	10.17	
	3900	3385	1736	1.16	1908	1.76	1996	2.05	2080	2.35	2240	2.99	2390	3.65	2534	4.35	2810	5.84	3073	7.46	3264	8.76	3509	10.59	
	4100	3558	1825	1.47	1988	1.98	2072	2.28	2153	2.59	2308	3.25	2454	3.94	2593	4.66	2859	6.19	3113	7.85	3298	9.16	3537	11.02	
	4300	3732	1914	1.7	2068	2.22	2149	2.53	2228	2.86	2377	3.54	2519	4.26	2654	5	2911	6.57	3157	8.25	3336	9.6	3568	11.48	
B	4159	3001	1851	1.54	2011	2.05	2095	2.35	2175	2.67	2328	3.34	2473	4.03	2611	4.76	2874	6.3	3126	7.96	3309	9.29	3546	11.16	
	4400	3174	1958	1.82	2109	2.35	2188	2.67	2265	3	2413	3.69	2552	4.42	2685	5.17	2938	6.76	3180	8.47	3357	9.82	3585	11.72	
	4600	3319	2046	2.07	2190	2.63	2267	2.95	2341	3.3	2484	4.02	2619	4.77	2749	5.54	2995	7.17	3229	8.91	3400	10.29	3622	12.22	
	4800	3463	2134	2.35	2272	2.92	2346	3.26	2418	3.62	2556	4.36	2688	5.13	2814	5.93	3053	7.61	3281	9.39	3447	10.79	3662	12.75	
	5000	3607	2222	2.65	2355	3.25	2426	3.6	2495	3.96	2629	4.73	2757	5.52	2880	6.35	3113	8.07	3335	9.89	3496	11.32	3705	13.31	
A	4860	3000	2160	2.44	2297	3.02	2370	3.36	2441	3.72	2578	4.47	2708	5.25	2833	6.06	3071	7.75	3297	9.54	3461	10.95	3675	12.92	
	5500	3395	2443	3.53	2564	4.17	2628	4.54	2692	4.93	2816	5.75	2936	6.61	3051	7.5	3271	9.33	3479	11.26	3630	12.76			
	6500	4012	2884	5.8	2986	6.54	3041	6.97	3095	7.41	3203	8.34	3309	9.31	3411	10.31	3608	12.39							
	7500	4630	3326	8.9	3414	9.74	3462	10.21	3509	10.71	3603	11.74	3697	12.81	3788	13.93									
	8450	5216	3746	12.71																					

Performance certified is for installation type B-Free inlet, Ducted outlet. Power rating (BHP) does not include transmission losses. Performance ratings do not include the effects of appurtenances.

vcPlume-Lite 182 CLASS 1&2 | BELT & DIRECT DRIVE - AIR PERFORMANCE

100% Width

Class 1	Maximum RPM: 2300	Max BHP: (RPM/1296) ³	Outlet Area: 1.96 Sq.Ft.	Wheel Diameter: 18.25"	Tip Speed: 4.78 X RPM	Max Motor Frame Size: 215T
Class 2	Maximum RPM: 3150	Max BHP: (RPM/1298) ³	Outlet Area: 1.96 Sq.Ft.	Wheel Diameter: 18.25"	Tip Speed: 4.78 X RPM	Max Motor Frame Size: 256T

Nozzle Position	CFM	OV	0.25"SP		1"SP		1.5"SP		2"SP		3"SP		4"SP		5"SP		7"SP		9"SP		10.5"SP		12.5"SP		
			RPM	BHP	RPM	BHP	RPM	BHP	RPM	BHP	RPM	BHP	RPM	BHP	RPM	BHP	RPM	BHP	RPM	BHP	RPM	BHP	RPM	BHP	RPM
E	946	3000	470	0.06																					
	1300	4123	515	0.09	878	0.3	1098	0.63																	
	1650	5233	661	0.16	930	0.38	1106	0.73	1218	0.67															
	2000	6343	750	0.23	992	0.46	1130	0.63	1262	0.85	1489	1.22													
	2500	7929	885	0.32	1094	0.6	1219	0.82	1336	1.05	1552	1.59	1743	2.11											
D	2426	3000	865	0.3	1080	0.58	1204	0.78	1324	1.02	1542	1.55	1733	2.02											
	3000	3710	1035	0.46	1218	0.82	1326	1.07	1430	1.33	1626	1.89	1807	2.53	1974	3.19	2267	4.2							
	3500	4328	1181	0.63	1349	1.09	1447	1.39	1540	1.68	1716	2.28	1883	2.95	2041	3.68	2329	5.21	2583	6.44					
	4000	4947	1332	0.89	1486	1.4	1576	1.76	1660	2.1	1821	2.77	1974	3.46	2120	4.22	2395	5.91	2645	7.65	2817	8.82			
	4400	5442	1454	1.15	1599	1.7	1683	2.1	1762	2.48	1912	3.22	2055	3.96	2193	4.74	2454	6.47	2697	8.38	2867	9.82	3078	11.57	
C	4284	3000	1419	1.07	1566	1.61	1652	1.99	1732	2.36	1885	3.08	2031	3.81	2171	4.58	2436	6.3	2682	8.18	2853	9.56	3064	11.16	
	4500	3151	1484	1.22	1627	1.78	1710	2.19	1788	2.58	1936	3.34	2077	4.09	2212	4.88	2470	6.62	2711	8.55	2880	10.04	3091	11.9	
	4700	3291	1546	1.38	1684	1.96	1765	2.38	1841	2.79	1985	3.59	2121	4.38	2252	5.18	2503	6.93	2739	8.9	2906	10.5	3116	12.49	
	4900	3431	1607	1.55	1742	2.14	1821	2.58	1895	3.01	2034	3.86	2166	4.67	2294	5.5	2538	7.27	2769	9.26	2933	10.86	3141	13.02	
	5200	3641	1700	1.83	1829	2.44	1905	2.91	1976	3.37	2110	4.28	2237	5.15	2359	6.02	2593	7.83	2817	9.84	2977	11.47			
B	5082	3000	1663	1.71	1794	2.32	1871	2.77	1944	3.23	2080	4.11	2209	4.96	2333	5.81	2571	7.61	2797	9.61	2959	11.23			
	5300	3129	1730	1.93	1858	2.55	1933	3.02	2003	3.5	2135	4.42	2261	5.31	2381	6.2	2613	8.03	2833	10.05	2992	11.69			
	5500	3247	1792	2.15	1919	2.78	1990	3.26	2058	3.76	2187	4.72	2309	5.66	2427	6.57	2652	8.45	2868	10.48	3023	12.13			
	5700	3365	1854	2.38	1975	3.02	2047	3.52	2114	4.03	2240	5.04	2359	6.01	2474	6.97	2693	8.89	2904	10.94	3056	12.6			
	6000	3542	1947	2.75	2064	3.41	2133	3.93	2198	4.47	2320	5.54	2435	6.57	2546	7.58	2757	9.59	2961	11.68	3108	13.36			
A	5880	3000	1910	2.6	2028	3.25	2098	3.76	2164	4.29	2288	5.33	2404	6.35	2516	7.33	2731	9.3	2937	11.38	3087	13.05			
	6800	3469	2196	3.95	2302	4.65	2366	5.22	2426	5.81	2539	7.03	2645	8.23	2746	9.41	2940	11.7	3126	13.97					
	7800	3980	2508	5.9	2604	6.64	2662	7.25	2717	7.91	2820	9.29	2917	10.68	3010	12.07									
	8800	4490	2821	8.42	2908	9.19	2961	9.84	3012	10.55	3107	12.06													
	9768	4984	3125	11.47																					

Performance certified is for installation type B-Free inlet, Ducted outlet. Power rating (BHP) does not include transmission losses. Performance ratings do not include the effects of appurtenances.

vcPlume-Lite 200 CLASS 1&2 | BELT & DIRECT DRIVE - AIR PERFORMANCE

100% Width

Class 1	Maximum RPM: 2100	Max BHP: (RPM/1113) ³	Outlet Area: 2.35 Sq.Ft.	Wheel Diameter: 20"	Tip Speed: 5.24 X RPM	Max Motor Frame Size: 215T
Class 2	Maximum RPM: 2945	Max BHP: (RPM/1113) ³	Outlet Area: 2.35 Sq.Ft.	Wheel Diameter: 20"	Tip Speed: 5.24 X RPM	Max Motor Frame Size: 256T

Nozzle Position	CFM	OV	0.25"SP		1"SP		1.5"SP		2"SP		3"SP		4"SP		5"SP		7"SP		9"SP		10.5"SP		12.5"SP	
			RPM	BHP	RPM	BHP	RPM	BHP	RPM	BHP	RPM	BHP	RPM	BHP	RPM	BHP	RPM	BHP	RPM	BHP	RPM	BHP	RPM	BHP
E	951	3000	417	0.07																				
	1500	4732	516	0.14	800	0.36	1001	0.73																
	2000	6309	608	0.2	847	0.45	986	0.64	1113	0.82														
	2500	7886	705	0.29	916	0.57	1043	0.79	1161	1.06	1368	1.56												
	3097	9770	833	0.41	1016	0.76	1127	1.02	1232	1.31	1426	1.96	1599	2.63	1754	3.14								
D	2997	3001	811	0.39	996	0.72	1111	0.98	1219	1.26	1416	1.91	1590	2.52										
	3500	3504	918	0.51	1091	0.94	1193	1.23	1289	1.53	1471	2.21	1639	2.97	1792	3.71								
	4000	4005	1032	0.66	1190	1.19	1282	1.53	1370	1.86	1537	2.57	1694	3.36	1841	4.23	2107	5.91						
	4500	4505	1146	0.9	1293	1.48	1378	1.88	1459	2.26	1612	3.01	1758	3.83	1897	4.73	2155	6.69	2385	8.53	2542	9.59		
	5200	5206	1308	1.32	1441	1.98	1519	2.44	1592	2.89	1731	3.77	1862	4.64	1989	5.57	2230	7.65	2453	9.92	2609	11.61	2802	13.6
C	5148	3000	1296	1.29	1430	1.94	1508	2.4	1582	2.84	1721	3.71	1854	4.58	1982	5.5	2224	7.57	2248	9.83	2604	11.48	2797	13.41
	5500	3205	1377	1.54	1506	2.22	1581	2.71	1651	3.2	1785	4.13	1911	5.05	2034	6	2266	8.1	2484	10.44	2638	12.26	2830	12.5
	5700	3322	1424	1.7	1549	2.4	1623	2.91	1691	3.41	1822	4.39	1945	5.34	2064	6.31	2292	8.42	2506	10.79	2658	12.67	2849	15.15
	5900	3438	1471	1.87	1593	2.59	1665	3.11	1732	3.64	1859	4.65	1980	5.64	2096	6.63	2319	8.77	2529	11.15	2679	13.07	2868	15.67
	6200	3613	1541	2.15	1659	2.89	1729	3.44	1794	3.99	1917	5.07	2033	6.11	2145	7.15	2361	9.32	2565	11.73	2712	13.69	2898	16.41
B	6099	3000	1517	2.06	1637	2.78	1707	3.33	1773	3.87	1897	4.93	2015	5.95	2129	6.97	2346	9.13	2553	11.53	2701	13.48	2888	16.17
	6300	3099	1564	2.25	1681	2.99	1750	3.55	1815	4.12	1936	5.21	2051	6.27	2162	7.33	2375	9.52	2578	11.93	2723	13.9	2909	16.65
	6600	3246	1635	2.57	1748	3.33	1815	3.91	1877	4.5	1995	5.66	2107	6.78	2214	7.89	2420	10.14	2617	12.58	2759	14.56	2941	17.38
	6900	3394	1705	2.92	1815	3.7	1880	4.3	1941	4.92	2055	6.14	2163	7.32	2267	8.48	2467	10.8	2658	13.27	2797	15.27		
	7200	3542	1776	3.3	1882	4.09	1945	4.72	2005	5.36	2116	6.64	2221	7.88	2322	9.1	2516	11.51	2702	14.02	2836	16.03		
A	7050	3000	1741	3.1	1849	3.89	1913	4.5	1973	5.13	2086	6.38	2192	7.6	2295	8.78	2491	11.15	2680	13.64	2816	15.64		
	8500	3617	2083	5.34	2177	6.19	2234	6.89	2287	7.62	2387	9.14	2482	10.65	2572	12.13	2744	15.01	2909	17.85				
	9500	4043	2321	7.39	2407	8.28	2460	9.02	2509	9.82	2602	11.49	2690	13.19	2774	14.87	2934	18.16						
	10500	4468	2559	9.93	2638	10.85	2687	11.63	2734	12.47	2821	14.27	2903	16.14										
	12029	5119	2924	14.84																				

Performance certified is for installation type B-Free inlet, Ducted outlet. Power rating (BHP) does not include transmission losses. Performance ratings do not include the effects of appurtenances.

vcPlume-Lite 222 CLASS 1&2 | BELT & DIRECT DRIVE - AIR PERFORMANCE

100% Width

Class 1	Maximum RPM: 1888	Max BHP: (RPM/932) ³	Outlet Area: 2.91 Sq.Ft.	Wheel Diameter: 22.25"	Tip Speed: 5.83 X RPM	Max Motor Frame Size: 215T
Class 2	Maximum RPM: 2465	Max BHP: (RPM/932) ³	Outlet Area: 2.91 Sq.Ft.	Wheel Diameter: 22.25"	Tip Speed: 5.83 X RPM	Max Motor Frame Size: 256T

Nozzle Position	CFM	OV	0.25"SP		1"SP		1.5"SP		2"SP		3"SP		4"SP		5"SP		7"SP		9"SP		10.5"SP		11.8"SP	
			RPM	BHP	RPM	BHP	RPM	BHP	RPM	BHP	RPM	BHP	RPM	BHP	RPM	BHP	RPM	BHP	RPM	BHP	RPM	BHP	RPM	BHP
E	1406	3000	409	0.13																				
	2000	4267	482	0.19	727	0.47																		
	2500	5334	548	0.25	761	0.56	895	0.81	1002	1.03														
	3000	6401	619	0.34	813	0.68	929	0.95	1036	1.27	1223	1.84												
	3700	7894	727	0.48	893	0.88	998	1.21	1094	1.56	1271	2.35	1428	3.11										
D	3608	3000	709	0.45	886	0.86	988	1.17	1086	1.52	1265	2.3	1422	3.01										
	4300	3575	818	0.62	976	1.15	1068	1.51	1155	1.88	1319	2.71	1470	3.65	1608	4.56								
	5200	4324	968	0.93	1106	1.61	1186	2.06	1262	2.5	1407	3.39	1544	4.38	1674	5.47	1910	7.73	2118	9.56				
	6258	5203	1145	1.52	1267	2.31	1338	2.87	1405	3.41	1532	4.46	1653	5.52	1769	6.66	1989	9.21	2191	11.96	2331	13.94	2446	15.46
	6500	5405	1185	1.68	1305	2.5	1374	3.08	1439	3.64	1563	4.74	1681	5.83	1794	6.98	2009	9.56	2209	12.39	2348	14.51		
C	6373	3000	1164	1.59	1285	2.4	1355	2.97	1421	3.52	1547	4.59	1666	5.67	1781	6.81	1998	9.37	2199	12.17	2339	14.22		
	6700	3154	1219	1.83	1336	2.66	1404	3.26	1468	3.85	1589	4.98	1704	6.1	1815	7.27	2026	9.85	2224	12.74	2362	14.95		
	7000	3295	1270	2.06	1383	2.92	1450	3.55	1512	4.17	1629	5.36	1741	6.53	1848	7.72	2054	10.33	2247	13.26	2384	15.57		
	7300	3437	1321	2.32	1431	3.2	1495	3.85	1556	4.5	1670	5.75	1778	6.97	1883	8.21	2083	10.84	2272	13.8	2407	16.18		
	7600	3578	1372	2.59	1479	3.5	1542	4.18	1601	4.85	1712	6.17	1817	7.45	1919	8.72	2113	11.4	2298	14.37	2430	16.79		
B	7551	3000	1363	2.55	1471	3.45	1534	4.12	1593	4.79	1705	6.1	1811	7.37	1913	8.63	2108	11.3	2294	14.28	2427	16.69		
	7900	3139	1423	2.89	1527	3.82	1588	4.52	1646	5.23	1754	6.6	1857	7.94	1955	9.26	2145	11.99	2325	14.98	2455	17.42		
	8200	3258	1474	3.22	1575	4.16	1635	4.88	1692	5.62	1797	7.06	1897	8.45	1993	9.82	2178	12.61	2354	15.63				
	8500	3377	1525	3.56	1624	4.52	1683	5.27	1738	6.03	1841	7.53	1938	8.99	2032	10.41	2212	13.28	2384	16.33				
	8800	3496	1576	3.94	1673	4.91	1730	5.68	1784	6.46	1885	8.03	1980	9.55	2072	11.03	2247	13.98	2415	17.07				
A	8730	3000	1564	3.85	1662	4.82	1719	5.58	1773	6.36	1875	7.91	1970	9.41	2062	10.88	2239	13.81	2408	16.89				
	10000	3436	1782	5.7	1870	6.73	1923	7.57	1972	8.44	2065	10.23	2153	12	2237	13.73	2397	17.09						
	11000	3780	1954	7.52	2036	8.6	2085	9.48	2132	10.42	2219	12.38	2302	14.35	2380	16.28								
	12000	4124	2127	9.71	2203	10.82	2249	11.75	2293	12.74	2376	14.85	2454	17										
	13828	4752	2443	14.76																				

Performance certified is for installation type B-Free inlet, Ducted outlet. Power rating (BHP) does not include transmission losses. Performance ratings do not include the effects of appurtenances.

vcPlume-Lite 245 CLASS 1&2 | BELT & DIRECT DRIVE - AIR PERFORMANCE

100% Width

Class 1	Maximum RPM: 1714	Max BHP: (RPM/793) ³	Outlet Area: 3.52 Sq.Ft.	Wheel Diameter: 24.5"	Tip Speed: 6.41 X RPM	Max Motor Frame Size: 215T
Class 2	Maximum RPM: 2200	Max BHP: (RPM/793) ³	Outlet Area: 3.52 Sq.Ft.	Wheel Diameter: 24.5"	Tip Speed: 6.41 X RPM	Max Motor Frame Size: 286T

Nozzle Position	CFM	OV	0.25"SP		1"SP		1.5"SP		2"SP		3"SP		4"SP		5"SP		7"SP		9"SP		10.5"SP		11.8"SP	
			RPM	BHP	RPM	BHP	RPM	BHP	RPM	BHP	RPM	BHP	RPM	BHP	RPM	BHP	RPM	BHP	RPM	BHP	RPM	BHP	RPM	BHP
E	1737	3000	374	0.16																				
	2500	4318	447	0.24	664	0.58	777	0.77																
	3000	5181	496	0.3	691	0.68	804	0.95	908	1.23														
	3500	6045	547	0.38	724	0.78	835	1.1	934	1.49														
	4400	7599	648	0.55	802	1.04	899	1.43	987	1.85	1150	2.8	12952	3.68										
D	4383	3000	646	0.55	806	1.05	897	1.42	986	1.84	1149	2.79	1291	3.66										
	5000	3422	722	0.71	864	1.29	950	1.71	1031	2.15	1184	3.15	1323	4.25	1449	5.26								
	6000	4107	841	0.99	970	1.78	1046	2.3	1117	2.8	1254	3.85	1382	5.04	1502	6.34	1719	8.86						
	7049	4825	972	1.51	1088	2.42	1156	3.04	1220	3.64	1341	4.82	1457	6.06	1567	7.42	1774	10.44	1961	13.47	2089	15.41	2193	16.69
	7800	5339	1066	1.98	1175	2.97	1239	3.66	1298	4.34	1411	5.65	1519	6.96	1622	8.36	1819	11.47	2001	14.88	2128	17.41		
C	7724	3000	1057	1.93	1166	2.91	1230	3.59	1290	4.26	1404	5.56	1512	6.87	1617	8.25	1814	11.36	1997	14.75	2124	17.24		
	8100	3146	1104	2.2	1210	3.21	1272	3.93	1330	4.64	1441	6.01	1545	7.36	1646	8.78	1838	11.91	2018	15.4	2144	18.08		
	8500	3301	1155	2.51	1257	3.55	1318	4.31	1374	5.06	1481	6.51	1582	7.93	1679	9.38	1866	12.54	2041	16.09	2165	18.9		
	8900	3457	1205	2.85	1305	3.93	1363	4.72	1418	5.51	1521	7.04	1619	8.53	1714	10.03	1895	13.23	2066	16.82	2188	19.71		
	9200	3573	1243	3.13	1341	4.23	1398	5.05	1452	5.87	1553	7.46	1648	9	1741	10.54	1917	13.78	2085	17.39				
B	9142	3000	1236	3.07	1334	4.17	1391	4.98	1445	5.8	1547	7.38	1643	8.91	1735	10.44	1913	13.68	2082	17.28				
	9500	3118	1282	3.43	1377	4.54	1433	5.39	1486	6.24	1584	7.89	1678	9.49	1768	11.08	1941	14.37	2106	18				
	10000	3282	1345	3.96	1437	5.11	1492	5.99	1543	6.89	1638	8.65	1728	10.35	1815	12.02	1982	15.41	2142	19.08				
	10500	3446	1409	4.56	1498	5.73	1551	6.65	1600	7.59	1693	9.45	1780	11.25	1864	13.02	2025	16.54	2179	20.26				
	11000	3610	1473	5.21	1559	6.41	1610	7.36	1658	8.34	1748	10.3	1833	12.21	1914	14.07	2070	17.74						
A	10560	3000	1417	4.63	1506	5.81	1558	6.73	1607	7.68	1699	9.55	1786	11.37	1870	13.14	2030	16.68						
	12000	3409	1602	6.7	1682	7.95	1731	8.96	1776	10.01	1861	12.16	1941	14.28	2018	16.34	2164	20.37						
	13500	3835	1795	9.45	1869	10.76	1913	11.84	1955	12.99	2034	15.39	2108	17.8	2179	20.18								
	15000	4261	1989	12.88	2057	14.24	2098	15.38	2137	16.61														
	16466	4678	2179	16.96																				

Performance certified is for installation type B-Free inlet, Ducted outlet. Power rating (BHP) does not include transmission losses. Performance ratings do not include the effects of appurtenances.

vcPlume-Lite 270 CLASS 1&2 | BELT & DIRECT DRIVE - AIR PERFORMANCE

100% Width

Class 1	Maximum RPM: 1556	Max BHP: (RPM/675) ³	Outlet Area: 4.26 Sq.Ft.	Wheel Diameter: 27"	Tip Speed: 7.07 X RPM	Max Motor Frame Size: 254T
Class 2	Maximum RPM: 2000	Max BHP: (RPM/675) ³	Outlet Area: 4.26 Sq.Ft.	Wheel Diameter: 27"	Tip Speed: 7.07 X RPM	Max Motor Frame Size: 326T

Nozzle Position	CFM	OV	0.25"SP		1"SP		1.5"SP		2"SP		3"SP		4"SP		5"SP		7"SP		9"SP		10.5"SP		11.8"SP		
			RPM	BHP	RPM	BHP	RPM	BHP	RPM	BHP	RPM	BHP	RPM	BHP	RPM	BHP	RPM	BHP	RPM	BHP	RPM	BHP	RPM	BHP	RPM
E	2105	3000	340	0.19																					
	3000	4275	401	0.28	603	0.7																			
	3800	5415	462	0.38	635	0.85	735	1.2	831	1.59															
	4600	6556	524	0.53	679	1.04	775	1.45	862	1.94	1015	2.88													
	5400	7696	594	0.69	736	1.3	820	1.76	900	2.27	1047	3.44	1176	4.53											
D	5324	3000	586	0.66	732	1.28	815	1.72	896	2.24	1044	3.39	1173	4.45											
	6400	3606	682	0.94	810	1.72	885	2.25	957	2.8	1091	4.03	1215	5.42	1329	6.79									
	7400	4170	775	1.25	891	2.23	959	2.86	1023	3.48	1145	4.77	1261	6.22	1369	7.81	1565	10.96							
	8683	4893	894	1.9	999	3.02	1060	3.79	1118	4.53	1227	5.98	1331	7.5	1430	9.15	1617	12.84	1786	16.6	1903	19.08	1997	20.78	
	9400	5297	962	2.36	1061	3.55	1119	4.38	1174	5.2	1277	6.77	1375	8.36	1470	10.05	1649	13.82	1815	17.94	1930	20.97			
C	9385	3000	960	2.34	1060	3.53	1118	4.37	1172	5.18	1276	6.76	1374	8.35	1469	10.03	1648	13.8	1814	17.92	1930	20.94			
	9800	3133	999	2.64	1096	3.87	1153	4.74	1206	5.6	1306	7.25	1401	8.89	1493	10.61	1668	14.41	1831	18.64	1946	21.87			
	10200	3260	1037	2.95	1131	4.21	1186	5.12	1238	6.02	1336	7.75	1428	9.45	1518	11.2	1688	15.03	1849	19.33	1962	22.71			
	10700	3420	1085	3.37	1176	4.66	1229	5.62	1279	6.57	1374	8.41	1463	10.19	1550	12	1715	15.88	1872	20.23	1983	23.72			
	11100	3548	1123	3.73	1212	5.06	1264	6.05	1313	7.04	1405	8.96	1492	10.82	1576	12.68	1738	16.61	1891	20.98					
B	11083	3000	1121	3.72	1210	5.04	1262	6.03	1311	7.02	1403	8.93	1491	10.79	1575	12.65	1737	16.57	1890	20.95	2000	24.5			
	11500	3113	1161	4.12	1248	5.48	1299	6.5	1346	7.53	1436	9.53	1522	11.46	1604	13.38	1761	17.38	1911	21.78					
	11900	3221	1199	4.54	1284	5.92	1334	6.97	1380	8.04	1468	10.12	1551	12.14	1632	14.13	1785	18.2	1932	22.63					
	12300	3330	1237	4.99	1320	6.4	1369	7.48	1415	8.58	1501	10.74	1582	12.84	1660	14.9	1810	19.06	1954	23.53					
	12800	3465	1285	5.6	1366	7.03	1413	8.14	1458	9.29	1542	11.55	1621	13.76	1697	15.9	1843	20.2	1983	24.73					
A	12780	3000	1283	5.57	1364	7	1411	8.11	1456	9.26	1540	11.52	1619	13.72	1695	15.86	1842	20.15	1982	24.68					
	14500	3404	1448	8.02	1522	9.53	1566	10.75	1607	12.03	1684	14.62	1757	17.18	1827	19.67	1961	24.53							
	16500	3873	1641	11.69	1708	13.29	1748	14.6	1786	16.01	1857	18.94	1924	21.88	1988	24.79									
	18500	4343	1834	16.37	1895	18.04	1932	19.43	1968	20.94															
	20036	4703	1983	20.72																					

Performance certified is for installation type B-Free inlet, Ducted outlet. Power rating (BHP) does not include transmission losses. Performance ratings do not include the effects of appurtenances.

vcPlume-Lite 300 CLASS 1&2 | BELT & DIRECT DRIVE - AIR PERFORMANCE

100% Width

Class 1	Maximum RPM: 1400	Max BHP: (RPM/566) ³	Outlet Area: 5.25 Sq.Ft.	Wheel Diameter: 30"	Tip Speed: 7.85 X RPM	Max Motor Frame Size: 256T
Class 2	Maximum RPM: 1800	Max BHP: (RPM/566) ³	Outlet Area: 5.25 Sq.Ft.	Wheel Diameter: 30"	Tip Speed: 7.85 X RPM	Max Motor Frame Size: 324T

Nozzle Position	CFM	OV	0.25"SP		1"SP		1.5"SP		2"SP		3"SP		4"SP		5"SP		7"SP		9"SP		10.5"SP		11.8"SP	
			RPM	BHP	RPM	BHP	RPM	BHP	RPM	BHP	RPM	BHP	RPM	BHP	RPM	BHP	RPM	BHP	RPM	BHP	RPM	BHP	RPM	BHP
E	2576	3000	305	0.23																				
	3600	4192	357	0.34	540	0.85																		
	4600	5357	411	0.46	571	1.05	664	1.48	745	1.91														
	5600	6521	468	0.64	608	1.26	694	1.76	773	2.37	911	3.48												
	6600	7686	529	0.83	655	1.56	734	2.14	807	2.78	939	4.2	1056	5.52										
D	6564	3000	526	0.82	657	1.58	733	2.12	805	2.76	938	4.18	1055	5.48										
	7800	3565	609	1.15	723	2.08	791	2.73	856	3.4	978	4.91	1090	6.61	1192	8.27								
	9000	4113	687	1.49	793	2.68	855	3.44	913	4.2	1024	5.77	1129	7.56	1227	9.51	1404	13.3						
	10720	4899	804	2.35	898	3.73	953	4.68	1005	5.59	1103	7.38	1197	9.25	1286	11.29	1454	15.85	1606	20.5	1711	23.57	1796	25.67
	11600	5301	864	2.9	954	4.37	1006	5.41	1055	6.41	1148	8.36	1236	10.32	1321	12.4	1483	17.06	1632	22.15	1736	25.89		
C	11583	3000	863	2.89	953	4.36	1005	5.39	1054	6.39	1147	8.34	1235	10.3	1321	12.38	1482	17.03	1631	22.12	1735	25.85		
	12100	3134	899	3.26	986	4.77	1036	5.85	1084	6.91	1174	8.95	1260	10.98	1343	13.1	1500	17.79	1647	23.02	1750	27.01		
	12600	3263	933	3.64	1018	5.2	1067	6.33	1114	7.44	1201	9.58	1285	11.68	1365	13.84	1519	18.57	1663	23.88	1764	28.05		
	13100	3393	968	4.06	1050	5.65	1.98	6.83	1144	7.99	1229	10.23	1310	12.42	1388	14.63	1538	19.41	1679	24.77	1780	29.06		
	13700	3548	1009	4.6	1089	6.24	1136	7.46	1180	8.68	1263	11.05	1342	13.35	1417	15.64	1562	20.49	1700	25.9	1799	30.28		
B	13667	3000	1007	4.57	1087	6.21	1134	7.43	1178	8.64	1261	11.01	1340	13.3	1416	15.59	1561	20.43	1699	25.83	1798	30.21		
	14200	3117	1044	5.09	1122	6.76	1168	8.03	1211	9.29	1292	11.77	1368	14.16	1442	16.53	1584	21.46	1719	26.9				
	14700	3227	1079	5.62	1155	7.32	1200	8.62	1242	9.94	1321	12.51	1396	15	1468	17.46	1606	22.49	1738	27.96				
	15200	3337	1113	6.18	1188	7.91	1232	9.25	1273	10.61	1350	13.29	1423	15.88	1494	18.42	1629	23.57	1758	29.09				
	15800	3468	1155	6.9	1228	8.67	1270	10.05	1311	11.46	1386	14.26	1457	16.98	1526	19.63	1657	24.93	1783	30.53				
A	15750	3000	1159	6.97	1224	8.6	1267	9.98	1307	11.39	1383	14.18	1454	16.89	1523	19.53	1655	24.82	1781	30.4				
	18000	3429	1309	10.06	1375	11.93	1414	13.44	1451	15.03	1521	18.25	1586	21.42	1648	24.52	1768	30.56						
	20250	3857	1467	14.19	1527	16.15	1563	17.76	1598	19.49	1662	23.09	1723	26.71	1781	30.28								
	22500	4286	1625	19.34	1681	21.38	1714	23.08	1746	24.93														
	24736	4712	1783	25.58																				

Performance certified is for installation type B-Free inlet, Ducted outlet. Power rating (BHP) does not include transmission losses. Performance ratings do not include the effects of appurtenances.

vcPlume-Lite 330 CLASS 1&2 | BELT & DIRECT DRIVE - AIR PERFORMANCE

100% Width

Class 1	Maximum RPM: 1273	Max BHP: (RPM/483) ³	Outlet Area: 6.35 Sq.Ft.	Wheel Diameter: 33"	Tip Speed: 8.64 X RPM	Max Motor Frame Size: 284T
Class 2	Maximum RPM: 1650	Max BHP: (RPM/483) ³	Outlet Area: 6.35 Sq.Ft.	Wheel Diameter: 33"	Tip Speed: 8.64 X RPM	Max Motor Frame Size: 326T

Nozzle Position	CFM	OV	0.25"SP		1"SP		1.5"SP		2"SP		3"SP		4"SP		5"SP		7"SP		9"SP		10.5"SP		12"SP	
			RPM	BHP	RPM	BHP	RPM	BHP	RPM	BHP	RPM	BHP	RPM	BHP	RPM	BHP	RPM	BHP	RPM	BHP	RPM	BHP	RPM	BHP
E	3201	3000	280	0.29																				
	4400	4124	326	0.41	490	1.03																		
	5600	5248	376	0.57	518	1.26	600	1.77	677	2.33														
	6800	6373	427	0.78	555	1.54	632	2.14	703	2.88	861	6.12												
	8000	7498	482	1.01	597	1.9	668	2.6	733	3.36	854	5.1	960	6.7										
D	7970	3000	480	1	600	1.92	667	2.58	733	3.35	853	5.08	959	6.66										
	9500	3576	554	1.39	660	2.54	721	3.33	780	4.15	890	5.98	992	8.05	1085	10.08								
	11000	4141	630	1.85	726	3.3	781	4.24	834	5.16	934	7.08	1029	9.24	1118	11.61	1278	16.29						
	13070	4920	736	2.9	821	4.58	871	5.74	917	6.85	1006	9.04	1091	11.31	1172	13.78	1324	19.31	1462	25.01	1557	28.8	1645	31.8
	14100	5308	789	3.56	870	5.34	917	6.6	962	7.82	1046	10.19	1126	12.57	1203	15.09	1349	20.73	1484	26.91	1579	31.47		
C	14018	3000	785	3.5	866	5.28	913	6.53	958	7.74	1042	10.09	1123	12.46	1203	15.1	1347	20.61	1482	26.76	1577	31.28		
	14600	3124	815	3.91	894	5.74	940	7.04	984	8.32	1066	10.78	1144	13.23	1219	15.79	1362	21.46	1496	27.78	1589	32.59		
	15300	3274	851	4.45	928	6.34	972	7.71	1015	9.06	1094	11.66	1170	14.21	1242	16.83	1382	22.56	1512	28.99	1605	34.05		
	16000	3424	887	5.04	962	6.98	1005	8.41	1046	9.83	1123	12.58	1196	15.25	1267	17.95	1402	23.74	1530	30.24	1621	35.46		
	16600	3552	918	5.59	991	7.57	1034	9.05	1074	10.53	1149	13.41	1220	16.19	1289	18.97	1421	24.84	1546	31.38	1635	36.68		
B	16534	3000	915	5.53	988	7.51	1030	8.98	1071	10.45	1146	13.31	1217	16.08	1286	18.85	1418	24.71	1544	31.25	1634	36.55		
	17200	3121	950	6.18	1020	8.2	1062	9.73	1101	11.27	1175	14.27	1244	17.16	1311	20.03	1440	26	1532	32.58				
	17800	3230	981	6.81	1050	8.87	1091	10.45	1129	12.04	1201	15.16	1269	18.18	1334	21.15	1460	27.23	1580	33.85				
	18400	3339	1012	7.49	1080	9.58	1120	11.2	1157	12.85	1228	16.09	1294	19.23	1358	22.31	1480	28.53	1598	35.21				
	19100	3466	1049	8.33	1115	10.46	1154	12.13	1190	13.84	1259	17.23	1324	20.51	1386	23.72	1505	30.12	1620	36.89				
A	19050	3000	1046	8.27	1112	10.4	1151	12.06	1188	13.77	1257	17.14	1321	20.42	1384	23.61	150	30.01	1618	36.76				
	21800	3433	1191	12.21	1250	14.47	1286	16.3	1320	18.22	1383	22.12	1442	25.96	1499	29.72	1608	37.03						
	24600	3874	1338	17.37	1393	19.74	1426	21.7	1457	23.8	1515	28.17	1570	32.57	1623	36.91								
	27400	4315	1487	23.84	1536	26.32	1567	28.38	1596	30.63														
	30190	4754	1634	31.75																				

Performance certified is for installation type B-Free inlet, Ducted outlet. Power rating (BHP) does not include transmission losses. Performance ratings do not include the effects of appurtenances.

vcPlume-Lite 365 CLASS 1&2 | BELT & DIRECT DRIVE - AIR PERFORMANCE

100% Width

Class 1	Maximum RPM: 1151	Max BHP: (RPM/409) ³	Outlet Area: 7.76 Sq.Ft.	Wheel Diameter: 36.5"	Tip Speed: 9.56 X RPM	Max Motor Frame Size: 286T
Class 2	Maximum RPM: 1490	Max BHP: (RPM/408) ³	Outlet Area: 7.76 Sq.Ft.	Wheel Diameter: 36.5"	Tip Speed: 9.56 X RPM	Max Motor Frame Size: 326T

Nozzle Position	CFM	OV	0.25"SP		1"SP		1.5"SP		2"SP		3"SP		4"SP		5"SP		7"SP		9"SP		10.5"SP		12"SP	
			RPM	BHP	RPM	BHP	RPM	BHP	RPM	BHP	RPM	BHP	RPM	BHP	RPM	BHP	RPM	BHP	RPM	BHP	RPM	BHP	RPM	BHP
E	3786	3000	250	0.34																				
	5300	4200	292	0.49	442	1.24																		
	6800	5388	337	0.68	469	1.54	545	2.18	612	2.83														
	8300	6577	385	0.95	500	1.88	571	2.61	636	3.51	749	5.16												
	9800	7765	436	1.24	541	2.33	604	3.18	664	4.12	773	6.24	868	8.21										
D	9711	3000	433	1.21	502	2.5	602	3.14	662	4.08	771	6.19	867	8.1										
	11600	3583	500	1.69	596	3.1	652	4.07	705	5.06	805	7.31	897	9.83	981	12.3								
	13500	4170	572	2.28	658	4.06	708	5.21	756	6.34	846	8.69	931	11.34	1012	14.25	1157	20						
	15856	4898	661	3.47	738	5.52	783	6.91	826	8.26	907	10.92	983	13.68	1057	16.7	1195	23.45	1320	30.32	1406	34.84	1486	38.33
	17200	5313	712	4.32	785	6.5	828	8.03	868	9.52	945	12.41	1017	15.31	1087	18.39	1219	25.29	1342	32.83	1427	38.39		
C	17151	3000	710	4.28	783	6.46	826	7.98	867	9.47	943	12.35	1016	15.25	1086	18.33	1218	25.22	1341	32.75	1426	38.27		
	17900	3131	738	4.82	810	7.06	852	8.65	891	10.22	965	13.24	1036	16.24	1104	19.37	1233	26.32	1354	34.05	1438	39.95		
	18700	3271	769	5.43	839	7.74	879	9.41	917	11.06	989	14.24	1058	17.36	1123	20.56	1249	27.57	1368	35.43	1451	41.62		
	19500	3411	800	6.1	867	8.47	907	10.22	944	11.94	1014	15.29	1080	18.55	1144	21.84	1267	28.92	1383	36.87	1465	43.24		
	20300	3551	830	6.83	896	9.26	935	11.07	971	12.88	1039	16.39	1103	19.79	1166	23.19	1285	30.37	1398	38.37	1479	44.86		
B	20216	3000	827	6.2	893	9.17	932	10.98	968	12.78	1036	16.27	1101	19.66	1163	23.04	1283	30.21	1396	38.21	1478	44.69		
	21000	3116	857	7.52	922	9.99	959	11.86	995	13.73	1061	17.39	1124	20.93	1185	24.43	1301	31.73	1412	39.77				
	21800	3235	888	8.36	951	10.88	988	12.81	1022	14.76	1087	18.58	1149	22.28	1208	25.92	1321	33.37	1429	41.47				
	22600	3354	919	9.26	980	11.83	1016	13.82	1050	15.84	1113	19.83	1173	23.69	1231	27.47	1341	35.1	1447	43.28				
	23400	3473	950	10.23	1010	12.85	1045	14.89	1078	16.98	1140	21.13	1198	25.16	1255	29.08	1363	36.94	1466	45.21				
A	23280	3000	946	10.08	1005	12.69	1041	14.72	1074	16.81	1136	20.93	1195	24.93	1251	28.84	1359	36.66	1463	44.92				
	26600	3428	1074	14.82	1129	17.59	1161	19.82	1191	22.16	1249	26.92	1302	31.61	1354	36.19	1452	45.11						
	30000	3866	1207	21.05	1256	23.96	1286	26.35	1314	28.91	1367	34.24	1417	39.6	1465	44.89								
	33400	4304	1340	28.86	1385	31.88																		
	36887	4753	1477	38.7																				

Performance certified is for installation type B-Free inlet, Ducted outlet. Power rating (BHP) does not include transmission losses. Performance ratings do not include the effects of appurtenances.

060 CLASS 1 | BELT & DIRECT DRIVE - SOUND PERFORMANCE

100% Width

RPM	Nominal Ps	INLET SOUND POWER BY OCTAVE BANDS dB Lwi								LwiA
		63	125	250	500	1000	2000	4000	8000	
1050	0.00	64	72	63	59	53	50	41	33	62
	0.06	64	72	62	59	53	50	42	34	61
	0.13	63	71	62	58	53	50	42	35	61
	0.25	62	70	61	57	53	50	43	36	60
1750	0.00	73	78	84	73	68	63	58	50	77
	0.25	73	77	83	72	68	63	59	51	77
	0.50	73	76	82	71	68	63	59	52	76
	0.75	73	75	81	71	67	63	59	52	75
3000	0.00	83	85	91	90	84	79	74	68	90
	1.00	84	85	90	89	83	78	74	69	89
	2.00	84	84	89	88	82	78	74	69	89
	2.75	85	84	88	87	81	78	74	70	88
4400	0.00	92	92	95	104	94	90	84	81	102
	1.50	92	92	94	103	93	90	84	81	102
	3.00	92	92	93	102	93	89	84	81	101
	6.00	93	93	92	101	91	88	84	81	99

RPM	Nominal Ps	OUTLET SOUND POWER BY OCTAVE BANDS dB Lwo								LwoA
		63	125	250	500	1000	2000	4000	8000	
1050	0.00	76	76	67	61	60	53	44	36	66
	0.06	76	76	66	60	60	52	44	36	65
	0.13	75	76	66	60	59	52	44	37	65
	0.25	75	76	65	58	57	50	44	38	64
1750	0.00	91	86	83	76	72	70	62	53	80
	0.25	92	85	82	75	71	68	61	53	79
	0.50	92	85	81	74	70	67	60	53	78
	0.75	92	85	80	74	69	66	59	53	77
3000	0.00	105	102	96	92	87	84	80	72	94
	1.00	106	102	96	91	85	82	78	71	94
	2.00	106	102	95	90	84	81	76	70	93
	2.75	106	102	95	89	83	79	75	69	92
4400	0.00	113	113	107	103	98	92	92	85	105
	1.50	114	114	107	102	97	91	91	84	105
	3.00	114	114	107	101	97	90	90	83	105
	6.00	114	114	107	100	96	88	88	80	104

The sound power level ratings shown are in decibels, referred to 10-12 watts, calculated per AMCA International Standard 301. The A-weighted sound ratings shown have been calculated per AMCA International Standard 301. Values shown are for inlet Lwi and inlet LwiA sound power levels for Installation Type B: free inlet, ducted outlet. Values shown are for outlet Lwo and outlet LwoA sound power levels for Installation Type B: free inlet, ducted outlet. Ratings include the effects of duct end correction.

070 CLASS 1 | BELT & DIRECT DRIVE - SOUND PERFORMANCE

100% Width

RPM	Nominal Ps	INLET SOUND POWER BY OCTAVE BANDS dB Lwi								LwiA
		63	125	250	500	1000	2000	4000	8000	
1050	0.00	82	82	63	60	53	50	41	33	68
	0.06	78	80	63	60	53	50	41	33	66
	0.13	75	78	62	59	53	50	42	34	64
	0.25	68	73	62	59	53	50	42	34	62
1750	0.00	80	90	85	74	69	63	58	50	80
	0.25	78	87	84	73	69	63	59	51	78
	0.50	76	83	83	72	69	63	59	51	77
	0.75	75	79	82	72	68	63	59	51	76
3000	0.00	85	96	100	91	85	79	74	68	94
	1.00	85	92	96	90	84	79	74	69	92
	2.00	85	88	92	89	83	79	74	69	90
	2.75	85	85	90	88	83	79	75	69	89
4400	0.00	93	93	113	105	95	92	84	81	107
	1.50	93	93	108	104	94	91	84	81	104
	3.00	93	93	103	103	93	91	84	81	102
	6.00	93	93	94	101	92	90	85	81	100

RPM	Nominal Ps	OUTLET SOUND POWER BY OCTAVE BANDS dB Lwo								LwoA
		63	125	250	500	1000	2000	4000	8000	
1050	0.00	95	97	66	59	58	52	43	33	82
	0.06	94	95	65	58	57	51	42	33	80
	0.13	92	93	65	58	56	49	41	33	78
	0.25	88	90	66	57	54	48	41	33	75
1750	0.00	99	102	89	75	70	68	61	51	88
	0.25	102	99	85	75	69	66	59	50	85
	0.50	106	96	83	75	68	65	58	50	85
	0.75	111	95	84	75	67	63	57	50	87
3000	0.00	107	114	109	94	85	82	78	70	103
	1.00	115	115	105	92	84	80	76	68	102
	2.00	126	119	103	92	84	79	74	67	105
	2.75	134	121	102	93	85	78	73	67	111
4400	0.00	115	115	128	109	98	91	89	84	120
	1.50	119	119	125	103	97	89	88	82	117
	3.00	127	127	123	103	97	89	87	81	117
	6.00	143	143	118	104	99	88	84	78	128

The sound power level ratings shown are in decibels, referred to 10-12 watts, calculated per AMCA International Standard 301. The A-weighted sound ratings shown have been calculated per AMCA International Standard 301. Values shown are for inlet Lwi and inlet LwiA sound power levels for Installation Type B: free inlet, ducted outlet. Values shown are for outlet Lwo and outlet LwoA sound power levels for Installation Type B: free inlet, ducted outlet. Ratings include the effects of duct end correction.

080 CLASS 1 | BELT & DIRECT DRIVE - SOUND PERFORMANCE

100% Width

RPM	Nominal Ps	INLET SOUND POWER BY OCTAVE BANDS dB Lwi								LwiA
		63	125	250	500	1000	2000	4000	8000	
1050	0.00	78	79	64	60	53	50	42	35	65
	0.06	76	76	63	59	53	49	42	35	64
	0.13	73	73	62	59	52	49	42	34	62
	0.25	67	71	61	58	52	49	41	33	60
1750	0.00	78	87	82	74	69	63	59	51	78
	0.25	80	85	81	73	68	63	58	51	77
	0.50	74	81	81	72	68	63	58	51	76
	0.75	73	78	81	71	67	62	58	50	75
3000	0.00	83	93	97	90	85	79	74	69	92
	1.00	90	94	95	89	83	78	74	68	91
	2.00	83	86	91	88	82	78	73	68	89
	2.75	80	83	90	87	82	78	73	68	88
4400	0.00	92	92	110	102	95	92	84	81	104
	1.50	97	97	106	102	94	91	84	81	102
	3.00	102	102	103	101	93	90	83	81	101
	6.00	88	88	94	101	91	89	83	81	99

RPM	Nominal Ps	OUTLET SOUND POWER BY OCTAVE BANDS dB Lwo								LwoA
		63	125	250	500	1000	2000	4000	8000	
1050	0.00	94	96	66	60	58	53	43	33	81
	0.06	96	97	66	59	57	51	42	33	82
	0.13	91	93	65	58	56	50	41	33	78
	0.25	82	83	63	56	53	47	39	32	68
1750	0.00	99	100	85	76	71	68	61	52	86
	0.25	106	101	83	75	69	66	60	51	87
	0.50	104	96	82	73	68	64	58	50	83
	0.75	100	88	80	72	66	62	55	48	79
3000	0.00	107	114	107	93	86	82	78	71	102
	1.00	114	115	104	91	84	80	76	69	102
	2.00	116	111	99	89	82	78	73	66	98
	2.75	115	105	93	88	80	76	71	64	94
4400	0.00	116	116	127	105	98	91	90	84	119
	1.50	124	124	129	103	97	90	88	83	121
	3.00	125	125	123	102	96	88	86	80	116
	6.00	123	123	104	100	93	85	83	76	109

The sound power level ratings shown are in decibels, referred to 10-12 watts, calculated per AMCA International Standard 301. The A-weighted sound ratings shown have been calculated per AMCA International Standard 301. Values shown are for inlet Lwi and inlet LwiA sound power levels for Installation Type B: free inlet, ducted outlet. Values shown are for outlet Lwo and outlet LwoA sound power levels for Installation Type B: free inlet, ducted outlet. Ratings include the effects of duct end correction.

105 CLASS 1 | BELT & DIRECT DRIVE - SOUND PERFORMANCE

100% Width

RPM	Nominal Ps	INLET SOUND POWER BY OCTAVE BANDS dB Lwi								LwiA
		63	125	250	500	1000	2000	4000	8000	
1050	0.00	56	61	60	57	56	52	44	36	60
	0.06	56	62	60	57	55	51	44	36	60
	0.13	55	62	59	56	54	51	43	36	59
	0.25	54	63	58	55	53	50	43	36	58
1750	0.00	66	68	73	70	68	66	61	53	73
	0.25	65	69	74	70	67	65	60	53	73
	0.50	65	68	74	69	66	64	59	52	72
	1.00	65	69	74	68	64	62	57	51	71
3000	0.00	78	78	82	83	81	79	77	71	87
	1.00	77	77	82	83	80	78	76	70	86
	2.00	76	76	82	83	80	77	74	69	85
	3.25	77	78	83	83	78	75	72	67	84
4400	0.00	86	86	86	93	91	89	87	84	96
	2.00	84	84	86	94	91	88	86	82	96
	4.00	84	84	85	94	90	87	85	81	95
	6.75	85	85	88	94	89	85	83	79	95

RPM	Nominal Ps	OUTLET SOUND POWER BY OCTAVE BANDS dB Lwo								LwoA
		63	125	250	500	1000	2000	4000	8000	
1050	0.00	64	64	65	58	57	53	43	33	62
	0.06	63	63	65	57	56	51	42	34	61
	0.13	63	63	63	56	55	50	41	33	60
	0.25	62	62	61	54	52	47	40	33	58
1750	0.00	83	74	75	74	69	67	62	52	75
	0.25	82	74	74	74	68	65	59	51	74
	0.50	82	73	72	71	66	63	58	50	73
	1.00	85	74	71	67	63	60	55	48	70
3000	0.00	99	92	86	88	84	80	78	71	90
	1.00	99	92	85	86	82	78	75	69	88
	2.00	98	91	84	84	81	76	73	66	86
	3.25	103	95	86	79	77	74	71	65	85
4400	0.00	108	108	95	94	96	89	88	85	100
	2.00	106	106	94	93	96	88	86	81	99
	4.00	107	107	94	91	93	86	84	79	97
	6.75	111	111	97	92	87	84	82	77	98

The sound power level ratings shown are in decibels, referred to 10-12 watts, calculated per AMCA International Standard 301. The A-weighted sound ratings shown have been calculated per AMCA International Standard 301. Values shown are for inlet Lwi and inlet LwiA sound power levels for Installation Type B: free inlet, ducted outlet. Values shown are for outlet Lwo and outlet LwoA sound power levels for Installation Type B: free inlet, ducted outlet. Ratings include the effects of duct end correction.

122 CLASS 1 | BELT & DIRECT DRIVE - SOUND PERFORMANCE

100% Width

RPM	Nominal Ps	INLET SOUND POWER BY OCTAVE BANDS dB Lwi								LwiA
		63	125	250	500	1000	2000	4000	8000	
1050	0.00	69	69	64	60	60	59	54	48	65
	0.25	68	68	63	59	59	60	56	53	66
	0.38	68	68	63	58	59	60	58	56	66
	0.50	67	67	61	58	58	55	51	47	63
2000	0.00	83	83	83	78	74	74	72	67	82
	0.75	82	82	83	77	73	74	73	70	82
	1.50	82	81	82	75	72	72	69	65	80
	2.25	82	81	82	74	71	71	67	64	79
2500	0.00	87	87	88	84	79	79	78	74	87
	1.00	87	87	89	84	78	78	80	77	87
	2.00	87	86	88	83	78	78	79	77	87
	3.50	88	85	87	80	76	77	74	70	84
3550	0.00	95	95	95	94	89	86	86	84	96
	2.00	95	95	95	94	89	86	87	86	96
	4.00	95	94	95	93	88	85	86	86	95
	7.50	96	94	93	91	85	84	82	78	93

RPM	Nominal Ps	OUTLET SOUND POWER BY OCTAVE BANDS dB Lwo								LwoA
		63	125	250	500	1000	2000	4000	8000	
1050	0.00	68	68	64	61	61	57	47	37	65
	0.25	66	66	63	59	58	53	45	36	62
	0.38	65	65	62	58	56	51	43	36	61
	0.50	68	69	61	56	55	51	44	37	60
2000	0.00	95	83	83	78	75	75	70	60	82
	0.75	93	80	81	77	74	72	67	58	80
	1.50	94	82	80	75	71	69	65	58	78
	2.25	94	83	79	73	68	67	63	57	77
2500	0.00	104	88	88	84	80	80	78	68	88
	1.00	101	86	86	84	80	79	75	66	87
	2.00	100	85	84	82	78	76	72	64	85
	3.50	102	90	84	80	74	73	70	64	83
3550	0.00	111	105	95	94	90	88	87	81	97
	2.00	109	102	93	93	90	87	85	78	96
	4.00	108	101	91	91	88	85	82	76	94
	7.50	110	105	95	89	84	80	79	75	94

The sound power level ratings shown are in decibels, referred to 10-12 watts, calculated per AMCA International Standard 301. The A-weighted sound ratings shown have been calculated per AMCA International Standard 301. Values shown are for inlet Lwi and inlet LwiA sound power levels for Installation Type B: free inlet, ducted outlet. Values shown are for outlet Lwo and outlet LwoA sound power levels for Installation Type B: free inlet, ducted outlet. Ratings include the effects of duct end correction.

122 CLASS 2 | BELT & DIRECT DRIVE - SOUND PERFORMANCE

100% Width

RPM	Nominal Ps	INLET SOUND POWER BY OCTAVE BANDS dB Lwi								LwiA
		63	125	250	500	1000	2000	4000	8000	
3600	0.50	95	95	96	94	90	87	87	85	96
	2.00	95	95	96	94	89	86	87	87	96
	4.00	95	95	95	94	88	85	86	86	96
	7.00	96	95	94	92	86	84	84	80	94
3900	0.50	97	97	97	97	92	88	88	87	98
	2.00	97	97	97	97	91	88	89	88	98
	4.00	97	97	97	96	91	87	88	88	98
	7.00	97	97	96	95	89	86	86	83	96
4200	0.50	99	99	99	99	94	90	90	89	100
	2.00	98	98	99	99	94	90	90	90	100
	5.00	98	98	98	98	93	89	89	90	100
	9.00	99	99	97	97	91	88	88	85	98
4650	0.50	101	101	101	102	97	92	92	92	103
	4.00	101	101	100	101	96	91	92	92	103
	9.00	101	101	99	100	94	90	91	88	101
	12.50	101	101	99	100	93	89	90	86	100

RPM	Nominal Ps	OUTLET SOUND POWER BY OCTAVE BANDS dB Lwo								LwoA
		63	125	250	500	1000	2000	4000	8000	
3600	0.50	111	105	95	94	90	88	86	81	97
	2.00	109	103	94	93	90	87	85	79	96
	4.00	108	102	92	91	88	85	82	76	95
	7.00	110	104	94	90	85	81	80	75	94
3900	0.50	113	108	97	96	92	90	89	84	100
	2.00	112	107	95	95	92	89	88	82	99
	4.00	110	106	94	94	91	87	85	80	97
	7.00	111	107	96	93	89	84	83	78	97
4200	0.50	115	112	98	98	94	91	91	86	102
	2.00	113	111	97	98	94	91	90	85	101
	5.00	112	109	95	95	93	89	87	82	99
	9.00	113	110	98	94	90	85	84	80	99
4650	0.50	117	117	100	101	97	94	93	90	105
	4.00	115	115	99	99	96	92	91	87	104
	9.00	115	115	101	98	94	89	88	85	103
	12.50	116	115	102	97	93	86	86	83	103

The sound power level ratings shown are in decibels, referred to 10-12 watts, calculated per AMCA International Standard 301. The A-weighted sound ratings shown have been calculated per AMCA International Standard 301. Values shown are for inlet Lwi and inlet LwiA sound power levels for Installation Type B: free inlet, ducted outlet. Values shown are for outlet Lwo and outlet LwoA sound power levels for Installation Type B: free inlet, ducted outlet. Ratings include the effects of duct end correction.

135 CLASS 1 | BELT & DIRECT DRIVE - SOUND PERFORMANCE

100% Width

RPM	Nominal Ps	INLET SOUND POWER BY OCTAVE BANDS dB Lwi								LwiA
		63	125	250	500	1000	2000	4000	8000	
1050	0.00	72	72	67	63	63	62	56	51	68
	0.25	71	71	66	62	62	59	55	55	68
	0.50	70	70	64	61	61	59	55	50	66
	0.75	70	70	63	60	60	57	53	49	65
1750	0.00	83	83	84	77	74	74	71	66	81
	0.75	82	83	83	76	73	74	73	69	81
	1.50	82	82	82	74	72	72	68	64	79
	2.00	82	81	82	73	72	71	67	64	79
2500	0.00	90	90	91	87	82	82	81	77	90
	1.50	90	90	91	86	81	81	82	79	90
	3.00	91	89	90	84	80	80	78	74	88
	4.25	91	88	90	83	79	80	77	73	87
3222	0.00	96	96	96	94	89	87	87	84	96
	2.00	95	95	96	94	89	87	88	87	97
	4.00	96	95	96	93	88	86	87	87	96
	7.50	96	95	94	91	86	85	83	79	93

RPM	Nominal Ps	OUTLET SOUND POWER BY OCTAVE BANDS dB Lwo								LwoA
		63	125	250	500	1000	2000	4000	8000	
1050	0.00	71	71	67	64	64	60	50	40	68
	0.25	69	69	66	63	61	56	48	40	66
	0.50	71	71	64	60	59	55	47	40	64
	0.75	72	73	63	57	56	53	47	41	63
1750	0.00	92	83	83	77	75	74	68	59	81
	0.75	89	80	81	76	73	71	65	57	79
	1.50	91	81	80	74	70	69	64	57	77
	2.00	91	81	79	72	69	67	62	56	76
2500	0.00	107	91	91	87	83	83	81	71	91
	1.50	105	89	89	86	82	81	77	69	89
	3.00	105	91	88	84	79	78	75	68	87
	4.25	105	93	87	83	77	76	73	67	86
3222	0.00	112	103	96	94	90	89	87	80	97
	2.00	110	101	94	93	90	88	85	78	96
	4.00	109	99	92	92	88	85	82	76	94
	7.50	111	104	95	90	84	81	79	75	94

The sound power level ratings shown are in decibels, referred to 10-12 watts, calculated per AMCA International Standard 301. The A-weighted sound ratings shown have been calculated per AMCA International Standard 301. Values shown are for inlet LWi and inlet LWiA sound power levels for Installation Type B: free inlet, ducted outlet. Values shown are for outlet Lwo and outlet LwoA sound power levels for Installation Type B: free inlet, ducted outlet. Ratings include the effects of duct end correction.

135 CLASS 2 | BELT & DIRECT DRIVE - SOUND PERFORMANCE

100% Width

RPM	Nominal Ps	INLET SOUND POWER BY OCTAVE BANDS dB Lwi								LwiA
		63	125	250	500	1000	2000	4000	8000	
3300	0.50	96	96	97	95	90	88	88	85	97
	1.50	96	96	97	95	90	87	88	87	97
	4.00	96	96	96	94	89	87	88	87	96
	7.00	97	96	95	92	87	86	84	81	94
3600	0.50	98	98	99	97	92	90	90	88	99
	2.00	98	98	99	97	92	89	90	89	99
	5.00	98	98	98	97	91	88	89	89	99
	9.00	99	98	97	95	89	87	86	82	96
3900	0.50	100	100	100	100	95	91	91	90	101
	3.00	100	100	100	100	94	91	92	92	101
	7.00	100	100	99	98	92	90	89	87	100
	10.50	101	100	98	97	91	89	88	85	99
4225	0.50	102	102	102	102	97	93	93	92	103
	3.00	101	101	102	102	97	93	93	94	103
	7.00	101	101	101	101	96	92	92	93	103
	12.50	102	102	100	100	93	90	90	87	101

RPM	Nominal Ps	OUTLET SOUND POWER BY OCTAVE BANDS dB Lwo								LwoA
		63	125	250	500	1000	2000	4000	8000	
3300	0.50	112	104	96	94	91	89	87	81	98
	1.50	111	102	95	94	91	89	86	79	97
	4.00	109	101	93	92	89	86	83	77	95
	7.00	111	104	95	91	86	82	80	75	94
3600	0.50	114	108	98	97	93	91	89	84	100
	2.00	113	106	97	96	93	90	88	82	100
	5.00	111	105	95	94	91	88	85	79	97
	9.00	113	108	98	93	88	84	82	78	97
3900	0.50	116	111	100	99	95	93	92	87	103
	3.00	114	109	98	98	95	92	90	84	102
	7.00	115	111	99	96	92	88	87	82	100
	10.50	115	111	100	95	90	85	84	80	100
4225	0.50	118	115	101	101	97	94	94	90	105
	3.00	116	113	100	101	97	94	93	88	104
	7.00	114	112	98	98	96	92	90	84	102
	12.50	117	114	103	97	93	87	86	83	102

The sound power level ratings shown are in decibels, referred to 10-12 watts, calculated per AMCA International Standard 301. The A-weighted sound ratings shown have been calculated per AMCA International Standard 301. Values shown are for inlet LWi and inlet LWiA sound power levels for Installation Type B: free inlet, ducted outlet. Values shown are for outlet Lwo and outlet LwoA sound power levels for Installation Type B: free inlet, ducted outlet. Ratings include the effects of duct end correction.

150 CLASS 1 | BELT & DIRECT DRIVE - SOUND PERFORMANCE

RPM	Nominal Ps	INLET SOUND POWER BY OCTAVE BANDS dB Lwi								LwiA
		63	125	250	500	1000	2000	4000	8000	
1050	0.00	75	75	70	66	66	65	60	55	71
	0.25	75	75	70	65	66	67	64	61	73
	0.50	74	74	69	65	65	66	64	61	72
	0.75	73	73	67	64	64	61	57	53	69
1750	0.00	86	86	87	80	77	77	75	69	85
	0.75	85	86	87	79	77	78	77	75	85
	1.50	85	86	86	79	76	77	77	74	85
	2.50	85	84	85	77	75	74	71	67	82
2400	0.00	93	92	94	89	84	84	84	79	92
	1.75	92	92	93	88	83	83	84	81	92
	3.50	93	91	92	86	82	83	80	76	90
	5.00	93	90	92	85	81	82	78	74	89
2900	0.00	97	97	97	94	90	88	88	84	97
	2.50	97	96	97	94	89	87	88	86	97
	5.00	97	96	96	92	87	87	85	82	95
	7.50	97	95	95	91	86	86	83	79	94

RPM	Nominal Ps	OUTLET SOUND POWER BY OCTAVE BANDS dB Lwo								LwoA
		63	125	250	500	1000	2000	4000	8000	
1050	0.00	75	74	70	67	67	63	53	44	71
	0.25	73	73	70	67	66	60	51	43	70
	0.50	71	71	69	65	63	58	50	42	68
	0.75	74	75	67	62	61	57	50	43	66
1750	0.00	95	86	86	80	78	77	72	62	85
	0.75	92	84	85	80	78	75	69	60	83
	1.50	91	82	83	79	75	72	66	59	81
	2.50	94	85	82	75	72	70	65	59	79
2400	0.00	109	93	93	89	85	85	83	73	93
	1.75	107	90	91	88	84	83	79	71	91
	3.50	107	93	90	86	81	80	77	70	89
	5.00	108	95	89	85	78	78	75	69	88
2900	0.00	113	101	97	94	90	89	88	80	98
	2.50	111	99	95	93	89	87	84	77	96
	5.00	111	101	95	91	86	84	82	76	95
	7.50	112	103	95	90	84	82	80	75	94

The sound power level ratings shown are in decibels, referred to 10-12 watts, calculated per AMCA International Standard 301. The A-weighted sound ratings shown have been calculated per AMCA International Standard 301. Values shown are for inlet Lwi and inlet LwiA sound power levels for Installation Type B: free inlet, ducted outlet. Values shown are for outlet Lwo and outlet LwoA sound power levels for Installation Type B: free inlet, ducted outlet. Ratings include the effects of duct end correction.

150 CLASS 2 | BELT & DIRECT DRIVE - SOUND PERFORMANCE

100% Width

RPM	Nominal Ps	INLET SOUND POWER BY OCTAVE BANDS dB Lwi								LwiA
		63	125	250	500	1000	2000	4000	8000	
3000	0.50	97	97	98	95	90	89	89	86	98
	2.00	97	97	98	95	90	88	90	88	98
	4.00	97	97	98	95	89	88	89	88	97
	7.00	98	96	96	92	88	87	85	82	95
3100	0.50	98	98	99	96	91	90	90	87	99
	2.00	98	98	99	96	91	89	90	89	99
	4.00	98	98	98	96	90	89	90	88	98
	7.00	99	97	97	94	89	88	86	83	96
3450	0.50	101	100	101	99	94	92	92	90	101
	2.00	100	100	101	99	94	92	92	91	101
	5.00	100	100	100	99	93	91	92	91	101
	9.00	101	100	99	97	91	90	89	85	99
3880	0.50	103	103	103	103	98	94	94	93	104
	3.00	103	103	103	103	97	94	95	95	104
	7.00	103	103	103	102	97	93	94	94	104
	12.50	104	103	101	100	94	92	92	88	102

RPM	Nominal Ps	OUTLET SOUND POWER BY OCTAVE BANDS dB Lwo								LwoA
		63	125	250	500	1000	2000	4000	8000	
3000	0.50	113	102	97	95	91	90	88	81	98
	2.00	112	101	96	95	91	89	86	79	98
	4.00	111	100	94	93	89	87	84	77	96
	7.00	112	103	95	91	86	84	81	76	95
3100	0.50	114	104	98	96	92	91	89	82	99
	2.00	113	102	97	96	92	90	87	80	99
	4.00	111	101	95	94	90	88	85	78	97
	7.00	113	104	96	93	88	85	82	77	96
3450	0.50	117	109	100	99	95	93	92	86	102
	2.00	115	108	99	98	95	93	91	84	102
	5.00	114	106	97	97	93	90	88	82	100
	9.00	115	108	99	95	91	87	85	80	99
3880	0.50	119	114	103	102	98	96	95	90	106
	3.00	118	113	102	102	98	95	94	88	105
	7.00	116	111	100	99	97	93	91	85	103
	12.50	118	114	103	98	94	89	87	84	103

The sound power level ratings shown are in decibels, referred to 10-12 watts, calculated per AMCA International Standard 301. The A-weighted sound ratings shown have been calculated per AMCA International Standard 301. Values shown are for inlet Lwi and inlet LwiA sound power levels for Installation Type B: free inlet, ducted outlet. Values shown are for outlet Lwo and outlet LwoA sound power levels for Installation Type B: free inlet, ducted outlet. Ratings include the effects of duct end correction.

165 CLASS 1 | BELT & DIRECT DRIVE - SOUND PERFORMANCE

100% Width

RPM	Nominal Ps	INLET SOUND POWER BY OCTAVE BANDS dB Lwi								LwiA
		63	125	250	500	1000	2000	4000	8000	
800	0.00	72	71	65	63	63	60	55	49	67
	0.25	72	71	64	62	63	62	58	55	68
	0.38	72	71	64	62	63	62	60	58	69
	0.50	71	70	63	61	60	57	53	49	65
1200	0.00	80	81	81	72	72	72	66	61	79
	0.50	80	81	81	71	71	72	69	65	79
	1.00	79	80	80	70	71	68	64	60	77
	1.50	78	80	80	69	70	66	62	59	76
1750	0.00	89	89	90	83	80	80	77	72	87
	0.75	88	89	90	82	80	80	80	77	88
	1.50	88	89	89	82	79	80	79	76	87
	2.50	88	88	88	80	78	77	74	70	85
2636	0.00	98	97	98	95	90	89	89	84	98
	2.50	97	97	98	94	89	88	89	86	97
	5.00	98	96	97	92	88	88	86	82	95
	7.50	98	96	96	90	86	87	83	79	94

RPM	Nominal Ps	OUTLET SOUND POWER BY OCTAVE BANDS dB Lwo								LwoA
		63	125	250	500	1000	2000	4000	8000	
800	0.00	72	71	66	64	63	56	47	37	67
	0.25	69	69	64	62	59	53	45	36	64
	0.38	68	68	64	61	58	51	44	36	63
	0.50	70	72	62	59	57	51	45	38	62
1200	0.00	80	81	81	73	73	71	61	51	78
	0.50	78	79	79	72	71	67	59	50	76
	1.00	80	78	78	69	68	65	58	51	74
	1.50	82	77	77	66	65	63	57	51	72
1750	0.00	98	89	89	83	81	80	74	65	88
	0.75	96	87	88	83	81	79	72	63	87
	1.50	95	86	86	82	79	76	70	62	85
	2.50	97	87	86	79	76	74	69	62	83
2636	0.00	114	100	98	94	91	90	88	79	98
	2.50	112	98	96	93	89	88	84	77	96
	5.00	112	100	95	92	86	85	82	76	95
	7.50	113	102	95	90	84	82	80	75	94

The sound power level ratings shown are in decibels, referred to 10-12 watts, calculated per AMCA International Standard 301. The A-weighted sound ratings shown have been calculated per AMCA International Standard 301. Values shown are for inlet Lwi and inlet LwiA sound power levels for Installation Type B: free inlet, ducted outlet. Values shown are for outlet Lwo and outlet LwoA sound power levels for Installation Type B: free inlet, ducted outlet. Ratings include the effects of duct end correction.

165 CLASS 2 | BELT & DIRECT DRIVE - SOUND PERFORMANCE

100% Width

RPM	Nominal Ps	INLET SOUND POWER BY OCTAVE BANDS dB Lwi								LwiA
		63	125	250	500	1000	2000	4000	8000	
2700	0.50	98	98	99	95	90	89	89	86	98
	2.00	98	98	99	95	90	89	90	88	98
	4.00	98	97	98	94	89	88	90	88	98
	7.00	99	97	97	92	88	88	85	82	95
2900	0.50	100	99	100	97	92	91	91	88	100
	2.00	99	99	101	97	92	91	92	90	100
	4.00	99	99	100	96	91	90	91	89	99
	7.00	100	99	99	95	90	89	88	84	98
3200	0.50	102	102	102	100	95	93	93	90	102
	4.00	102	101	102	100	94	92	93	92	102
	7.00	102	101	101	98	93	92	91	87	100
	10.50	102	101	100	97	92	91	89	85	99
3790	0.50	105	105	106	105	100	97	97	95	107
	3.00	105	105	106	105	100	96	97	97	107
	7.00	105	105	105	104	99	96	96	96	106
	12.50	106	105	104	103	97	95	94	91	104

RPM	Nominal Ps	OUTLET SOUND POWER BY OCTAVE BANDS dB Lwo								LwoA
		63	125	250	500	1000	2000	4000	8000	
2700	0.50	114	100	98	95	91	91	88	80	99
	2.00	112	99	97	95	91	90	86	78	98
	4.00	111	98	95	93	89	87	83	76	96
	7.00	113	101	95	91	86	84	81	75	95
2900	0.50	116	104	100	97	93	92	90	82	100
	2.00	114	102	99	97	93	92	88	81	100
	4.00	113	101	97	95	92	89	86	79	98
	7.00	114	104	97	94	89	87	84	78	97
3200	0.50	118	108	102	100	96	94	93	86	103
	4.00	116	106	100	98	95	92	90	83	101
	7.00	117	108	100	97	92	90	88	82	100
	10.50	117	109	100	96	90	87	85	81	100
3790	0.50	122	116	105	104	100	98	97	92	108
	3.00	120	115	104	104	100	98	96	90	107
	7.00	119	114	102	102	99	96	93	88	105
	12.50	120	115	104	101	97	92	91	86	105

The sound power level ratings shown are in decibels, referred to 10-12 watts, calculated per AMCA International Standard 301. The A-weighted sound ratings shown have been calculated per AMCA International Standard 301. Values shown are for inlet Lwi and inlet LwiA sound power levels for Installation Type B: free inlet, ducted outlet. Values shown are for outlet Lwo and outlet LwoA sound power levels for Installation Type B: free inlet, ducted outlet. Ratings include the effects of duct end correction.

182 CLASS 1 | BELT & DIRECT DRIVE - SOUND PERFORMANCE

100% Width

RPM	Nominal Ps	INLET SOUND POWER BY OCTAVE BANDS dB Lwi								LwiA
		63	125	250	500	1000	2000	4000	8000	
750	0.00	70	70	67	64	62	55	47	39	66
	0.13	69	70	67	63	61	55	46	38	66
	0.25	69	70	66	62	59	53	45	36	64
	0.50	70	69	64	60	57	53	45	37	63
1050	0.00	77	77	76	73	70	68	58	50	75
	0.63	76	77	75	70	66	64	55	47	73
	1.00	78	76	73	69	65	63	56	48	72
	1.38	78	76	72	67	63	62	55	47	70
1750	0.00	88	88	88	86	83	80	76	67	89
	1.25	87	87	88	86	82	79	74	66	88
	2.50	89	88	87	83	79	76	73	65	86
	4.00	90	89	86	81	77	74	71	64	84
2300	0.00	94	94	94	94	90	87	86	76	96
	2.00	93	93	94	93	89	86	83	75	95
	4.00	92	92	94	92	87	82	80	73	93
	7.00	96	96	93	89	84	80	79	73	91

RPM	Nominal Ps	OUTLET SOUND POWER BY OCTAVE BANDS dB Lwo								LwoA
		63	125	250	500	1000	2000	4000	8000	
750	0.00	78	74	71	67	66	59	50	43	70
	0.13	78	74	70	66	64	58	49	42	69
	0.25	76	73	69	64	61	55	47	39	67
	0.50	78	71	68	64	63	57	48	42	67
1050	0.00	91	81	82	74	74	72	61	54	79
	0.63	88	79	80	72	69	65	57	49	76
	1.00	94	78	78	73	70	71	59	52	77
	1.38	96	76	77	72	68	70	58	52	77
1750	0.00	103	99	93	91	85	85	80	70	93
	1.25	101	97	92	89	83	81	76	67	91
	2.50	106	101	90	88	83	82	79	68	91
	4.00	109	102	88	86	82	80	78	67	91
2300	0.00	109	109	99	99	92	91	90	79	101
	2.00	107	107	97	99	91	90	86	77	100
	4.00	105	105	95	97	89	85	80	74	97
	7.00	115	115	94	94	89	85	88	76	101

The sound power level ratings shown are in decibels, referred to 10-12 watts, calculated per AMCA International Standard 301. The A-weighted sound ratings shown have been calculated per AMCA International Standard 301. Values shown are for inlet Lwi and inlet LwiA sound power levels for Installation Type B: free inlet, ducted outlet. Values shown are for outlet Lwo and outlet LwoA sound power levels for Installation Type B: free inlet, ducted outlet. Ratings include the effects of duct end correction.

182 CLASS 2 | BELT & DIRECT DRIVE - SOUND PERFORMANCE

100% Width

RPM	Nominal Ps	INLET SOUND POWER BY OCTAVE BANDS dB Lwi								LwiA
		63	125	250	500	1000	2000	4000	8000	
2400	0.50	94	94	95	94	91	88	87	77	97
	1.50	94	94	95	94	91	88	85	77	96
	4.00	93	93	95	93	89	84	81	74	94
	7.00	96	96	94	91	86	82	80	75	93
2700	0.50	97	97	97	97	95	91	89	82	100
	3.00	96	96	97	97	94	90	87	80	99
	5.00	96	96	97	96	92	87	84	78	98
	9.00	99	99	97	94	89	85	83	78	96
2950	0.50	99	99	99	99	97	94	91	85	102
	3.00	99	99	99	99	96	93	90	84	101
	5.00	98	98	99	99	95	90	88	82	100
	9.00	101	101	99	97	93	89	86	82	99
3150	0.50	100	100	101	101	99	95	93	87	104
	4.00	100	100	100	101	98	94	91	86	103
	9.00	102	102	101	99	95	91	89	84	101
	12.50	102	102	101	98	93	89	87	83	100

RPM	Nominal Ps	OUTLET SOUND POWER BY OCTAVE BANDS dB Lwo								LwoA
		63	125	250	500	1000	2000	4000	8000	
2400	0.50	109	109	100	100	93	92	90	80	102
	1.50	109	109	99	100	93	91	88	79	101
	4.00	106	106	97	98	90	87	82	76	98
	7.00	115	115	97	95	91	86	89	78	102
2700	0.50	112	112	105	102	97	94	93	85	105
	3.00	110	110	103	101	96	92	89	82	103
	5.00	109	109	102	100	94	90	86	79	101
	9.00	118	118	103	97	94	90	91	83	105
2950	0.50	114	114	108	104	100	96	95	88	107
	3.00	113	113	107	104	100	96	93	86	106
	5.00	111	111	105	102	98	93	90	83	104
	9.00	119	119	108	100	97	93	93	87	107
3150	0.50	115	115	110	105	102	98	97	91	109
	4.00	114	114	109	105	102	97	95	88	108
	9.00	120	120	111	102	100	95	94	89	108
	12.50	121	121	111	100	99	94	93	89	109

The sound power level ratings shown are in decibels, referred to 10-12 watts, calculated per AMCA International Standard 301. The A-weighted sound ratings shown have been calculated per AMCA International Standard 301. Values shown are for inlet Lwi and inlet LwiA sound power levels for Installation Type B: free inlet, ducted outlet. Values shown are for outlet Lwo and outlet LwoA sound power levels for Installation Type B: free inlet, ducted outlet. Ratings include the effects of duct end correction.

200 CLASS 1 | BELT & DIRECT DRIVE - SOUND PERFORMANCE

100% Width

RPM	Nominal Ps	INLET SOUND POWER BY OCTAVE BANDS dB Lwi								LwiA
		63	125	250	500	1000	2000	4000	8000	
500	0.00	64	63	59	56	54	44	36	28	58
	0.13	63	62	57	54	51	42	34	25	56
	0.25	65	60	55	52	50	42	34	27	55
	0.38	65	58	53	50	48	41	34	26	53
1300	0.00	84	84	84	81	78	76	68	60	84
	0.75	83	84	84	81	77	74	67	59	83
	1.50	83	84	83	78	74	71	65	56	81
	2.50	86	84	80	76	72	70	65	57	79
1750	0.00	90	91	91	89	86	83	79	69	91
	1.50	90	90	91	89	85	82	77	69	91
	3.00	92	91	89	86	82	79	76	68	88
	4.50	92	91	88	84	80	77	74	67	87
2100	0.00	94	94	95	94	91	88	86	76	96
	2.00	94	94	95	94	90	86	83	75	95
	4.00	93	93	95	93	87	83	80	72	94
	7.00	96	96	93	89	84	81	79	73	91

RPM	Nominal Ps	OUTLET SOUND POWER BY OCTAVE BANDS dB Lwo								LwoA
		63	125	250	500	1000	2000	4000	8000	
500	0.00	78	68	61	60	58	47	40	33	63
	0.13	76	66	59	57	53	44	36	29	59
	0.25	82	65	59	57	57	45	39	32	61
	0.38	84	63	58	55	56	44	38	32	62
1300	0.00	99	91	90	84	81	81	71	63	88
	0.75	98	90	90	83	80	77	69	62	87
	1.50	96	88	87	81	76	72	66	58	84
	2.50	105	89	85	81	76	78	69	61	85
1750	0.00	105	102	96	94	88	88	83	73	96
	1.50	104	100	95	92	86	84	79	70	94
	3.00	102	98	94	91	83	80	74	67	92
	4.50	111	104	91	89	85	83	81	70	94
2100	0.00	109	109	100	100	92	92	90	78	101
	2.00	108	108	100	100	91	90	86	77	100
	4.00	106	105	98	97	89	85	81	74	98
	7.00	116	114	95	94	90	86	88	76	101

The sound power level ratings shown are in decibels, referred to 10-12 watts, calculated per AMCA International Standard 301. The A-weighted sound ratings shown have been calculated per AMCA International Standard 301. Values shown are for inlet LWi and inlet LWiA sound power levels for Installation Type B: free inlet, ducted outlet. Values shown are for outlet Lwo and outlet LwoA sound power levels for Installation Type B: free inlet, ducted outlet. Ratings include the effects of duct end correction.

200 CLASS 2 | BELT & DIRECT DRIVE - SOUND PERFORMANCE

100% Width

RPM	Nominal Ps	INLET SOUND POWER BY OCTAVE BANDS dB Lwi								LwiA
		63	125	250	500	1000	2000	4000	8000	
2200	0.50	95	95	96	95	92	89	87	77	97
	1.50	95	95	96	95	91	88	86	77	97
	4.00	94	94	96	94	89	84	82	74	95
	7.00	97	97	95	91	86	82	81	75	93
2500	0.50	98	98	99	98	95	92	90	82	101
	3.00	98	98	98	98	94	91	88	81	100
	5.00	97	97	98	97	93	88	85	79	98
	9.00	100	100	98	94	90	86	84	79	96
2800	0.50	101	101	101	101	98	95	93	86	103
	4.00	100	100	101	100	97	93	90	84	102
	9.00	102	102	101	98	94	90	88	83	100
	12.50	103	103	101	97	92	88	86	82	99
2945	0.50	102	102	102	102	100	96	94	88	105
	4.00	101	101	102	102	99	95	92	86	104
	9.00	103	103	102	100	96	92	90	85	102
	12.50	104	104	102	99	95	90	88	84	101

RPM	Nominal Ps	OUTLET SOUND POWER BY OCTAVE BANDS dB Lwo								LwoA
		63	125	250	500	1000	2000	4000	8000	
2200	0.50	110	110	100	101	93	93	91	80	102
	1.50	110	110	99	101	93	92	89	79	102
	4.00	107	107	97	99	90	87	83	76	99
	7.00	116	116	95	96	91	87	90	77	102
2500	0.50	113	113	104	104	97	95	94	85	105
	3.00	112	112	103	103	97	94	91	83	105
	5.00	110	110	102	101	95	91	87	80	102
	9.00	119	119	102	99	95	90	92	82	105
2800	0.50	115	115	109	106	101	98	97	89	108
	4.00	114	114	107	104	100	95	93	86	106
	9.00	120	120	108	102	99	95	95	87	108
	12.50	122	122	108	101	98	93	94	87	109
2945	0.50	117	117	111	107	103	99	98	91	110
	4.00	116	116	109	106	102	98	96	89	109
	9.00	121	121	110	103	101	96	96	90	109
	12.50	122	122	110	102	100	95	95	89	110

The sound power level ratings shown are in decibels, referred to 10-12 watts, calculated per AMCA International Standard 301. The A-weighted sound ratings shown have been calculated per AMCA International Standard 301. Values shown are for inlet LWi and inlet LWiA sound power levels for Installation Type B: free inlet, ducted outlet. Values shown are for outlet Lwo and outlet LwoA sound power levels for Installation Type B: free inlet, ducted outlet. Ratings include the effects of duct end correction.

222 CLASS 1 | BELT & DIRECT DRIVE - SOUND PERFORMANCE

100% Width

RPM	Nominal Ps	INLET SOUND POWER BY OCTAVE BANDS dB Lwi								LwiA
		63	125	250	500	1000	2000	4000	8000	
600	0.00	71	71	67	64	63	53	45	37	67
	0.25	71	71	66	61	59	51	43	35	64
	0.38	71	71	64	60	57	50	42	33	63
	0.63	70	70	62	58	57	51	43	35	62
900	0.00	79	80	78	75	72	68	59	51	77
	0.50	79	80	78	74	70	66	58	50	76
	1.00	80	79	75	71	68	65	57	49	74
	1.50	80	79	73	69	66	63	56	48	72
1350	0.00	88	88	88	86	82	80	73	64	88
	1.25	87	88	88	84	80	77	71	62	86
	2.50	89	88	86	82	78	76	70	62	84
	3.50	90	88	84	80	76	74	69	62	83
1888	0.00	95	95	96	94	91	88	85	75	97
	2.50	95	95	95	93	89	85	82	73	95
	5.00	97	96	94	91	87	84	81	73	93
	7.10	98	97	94	89	85	81	79	73	92

RPM	Nominal Ps	OUTLET SOUND POWER BY OCTAVE BANDS dB Lwo								LwoA
		63	125	250	500	1000	2000	4000	8000	
600	0.00	76	76	69	68	67	56	49	42	70
	0.25	74	74	67	64	61	53	45	38	67
	0.38	73	74	66	62	58	51	44	36	65
	0.63	73	71	67	63	65	54	47	41	67
900	0.00	91	84	83	77	76	72	62	55	81
	0.50	89	82	81	75	72	68	59	51	78
	1.00	93	81	80	75	73	71	60	54	79
	1.50	94	79	78	74	71	70	59	53	78
1350	0.00	103	96	94	88	86	85	76	68	92
	1.25	101	94	92	86	82	79	72	64	89
	2.50	107	94	90	86	82	82	74	66	90
	3.50	109	94	88	85	80	81	74	66	89
1888	0.00	110	108	101	99	93	93	89	78	101
	2.50	108	106	100	98	91	88	84	75	99
	5.00	115	111	97	96	91	89	87	76	100
	7.10	117	112	95	94	90	87	87	76	100

The sound power level ratings shown are in decibels, referred to 10-12 watts, calculated per AMCA International Standard 301. The A-weighted sound ratings shown have been calculated per AMCA International Standard 301. Values shown are for inlet Lwi and inlet LwiA sound power levels for Installation Type B: free inlet, ducted outlet. Values shown are for outlet Lwo and outlet LwoA sound power levels for Installation Type B: free inlet, ducted outlet. Ratings include the effects of duct end correction.

222 CLASS 2 | BELT & DIRECT DRIVE - SOUND PERFORMANCE

100% Width

RPM	Nominal Ps	INLET SOUND POWER BY OCTAVE BANDS dB Lwi								LwiA
		63	125	250	500	1000	2000	4000	8000	
1900	0.50	95	96	96	95	91	88	85	75	97
	1.50	95	95	96	94	91	88	84	75	96
	4.00	94	95	95	93	88	83	80	72	94
	7.00	97	97	94	90	85	82	79	73	92
2050	0.50	97	97	98	97	93	90	88	78	99
	1.50	97	97	98	97	93	90	87	78	98
	4.00	96	96	97	95	90	86	83	75	97
	7.00	99	99	96	93	88	85	83	76	95
2200	0.50	99	99	99	99	95	92	91	80	101
	3.00	98	98	99	98	94	91	88	79	100
	5.00	97	97	99	97	92	87	85	78	98
	9.00	101	101	98	94	89	85	84	78	96
2465	0.50	101	101	102	101	98	95	93	84	103
	4.00	100	100	101	101	97	92	90	83	102
	9.00	103	103	101	98	94	90	88	82	100
	12.00	103	103	101	97	92	88	86	81	99

RPM	Nominal Ps	OUTLET SOUND POWER BY OCTAVE BANDS dB Lwo								LwoA
		63	125	250	500	1000	2000	4000	8000	
1900	0.50	110	108	101	99	93	92	89	78	101
	1.50	110	107	101	99	93	91	87	78	101
	4.00	107	105	99	97	89	86	81	74	98
	7.00	116	112	96	95	90	87	87	76	100
2050	0.50	112	111	103	102	95	94	92	81	104
	1.50	111	110	103	102	94	93	90	80	103
	4.00	109	108	101	100	92	89	84	77	101
	7.00	117	115	98	98	93	89	90	79	103
2200	0.50	113	113	103	104	96	96	94	83	106
	3.00	112	112	101	103	95	93	90	81	104
	5.00	110	110	100	102	93	90	86	79	102
	9.00	119	119	98	99	94	90	93	81	106
2465	0.50	116	116	107	107	100	98	97	87	108
	4.00	114	114	105	105	98	95	92	84	106
	9.00	121	121	105	103	98	94	96	86	108
	12.00	122	122	104	101	97	93	95	85	109

The sound power level ratings shown are in decibels, referred to 10-12 watts, calculated per AMCA International Standard 301. The A-weighted sound ratings shown have been calculated per AMCA International Standard 301. Values shown are for inlet Lwi and inlet LwiA sound power levels for Installation Type B: free inlet, ducted outlet. Values shown are for outlet Lwo and outlet LwoA sound power levels for Installation Type B: free inlet, ducted outlet. Ratings include the effects of duct end correction.

245 CLASS 1 | BELT & DIRECT DRIVE - SOUND PERFORMANCE

100% Width

RPM	Nominal Ps	INLET SOUND POWER BY OCTAVE BANDS dB Lwi								LwiA
		63	125	250	500	1000	2000	4000	8000	
600	0.00	74	74	70	67	65	56	48	40	70
	0.38	74	74	68	64	61	54	45	37	66
	0.75	73	73	65	61	60	54	46	38	65
	1.00	73	72	63	60	58	53	46	39	64
900	0.00	82	83	81	78	75	71	62	54	80
	0.50	82	83	81	77	74	69	61	53	79
	1.00	81	82	79	74	70	67	59	50	77
	1.50	83	82	77	73	70	67	60	52	76
1350	0.00	91	91	91	88	85	83	76	67	91
	1.50	90	91	91	87	83	80	74	65	89
	3.00	92	91	89	85	81	79	73	65	87
	4.38	93	91	87	83	78	76	72	65	85
1714	0.00	96	96	96	95	91	89	84	75	97
	2.50	95	96	96	94	89	86	82	73	95
	5.00	98	97	95	91	87	84	81	73	93
	7.10	98	97	94	89	85	82	79	72	92

RPM	Nominal Ps	OUTLET SOUND POWER BY OCTAVE BANDS dB Lwo								LwoA
		63	125	250	500	1000	2000	4000	8000	
600	0.00	79	79	72	71	70	59	52	45	73
	0.38	76	77	70	66	63	55	47	40	69
	0.75	76	74	70	66	68	57	50	44	70
	1.00	75	72	70	65	71	58	52	47	72
900	0.00	94	87	86	80	79	75	65	58	84
	0.50	93	86	85	79	77	72	63	56	83
	1.00	91	84	83	76	73	68	60	52	79
	1.50	96	83	82	77	75	73	63	57	81
1350	0.00	106	99	97	91	89	88	79	71	95
	1.50	104	97	95	89	85	82	75	67	92
	3.00	110	97	93	89	85	85	77	69	93
	4.38	112	97	91	88	83	85	77	69	92
1714	0.00	111	107	102	99	94	93	88	78	101
	2.50	109	105	100	97	91	89	83	75	99
	5.00	115	109	98	96	91	90	87	76	100
	7.10	118	110	96	95	90	89	86	76	100

The sound power level ratings shown are in decibels, referred to 10-12 watts, calculated per AMCA International Standard 301. The A-weighted sound ratings shown have been calculated per AMCA International Standard 301. Values shown are for inlet LWi and inlet LWiA sound power levels for Installation Type B: free inlet, ducted outlet. Values shown are for outlet Lwo and outlet LwoA sound power levels for Installation Type B: free inlet, ducted outlet. Ratings include the effects of duct end correction.

245 CLASS 2 | BELT & DIRECT DRIVE - SOUND PERFORMANCE

100% Width

RPM	Nominal Ps	INLET SOUND POWER BY OCTAVE BANDS dB Lwi								LwiA
		63	125	250	500	1000	2000	4000	8000	
1750	0.50	97	97	97	95	92	89	85	76	98
	1.50	96	97	97	95	91	88	84	75	97
	4.00	95	96	96	94	88	84	80	72	95
	7.00	99	98	95	90	86	83	80	73	93
1900	0.50	98	98	99	98	94	91	88	78	100
	1.50	98	98	99	97	94	91	87	78	99
	4.00	97	98	98	96	91	87	84	76	97
	7.00	100	100	97	93	89	86	83	76	96
2050	0.50	100	100	101	100	96	93	91	81	102
	3.00	99	100	100	99	95	92	88	80	101
	5.00	99	99	100	98	93	89	86	78	99
	9.00	102	102	99	95	90	87	85	79	97
2200	0.50	102	102	102	101	98	95	93	83	104
	4.00	101	101	102	101	96	92	90	82	102
	9.00	103	103	101	98	93	90	88	81	100
	11.80	104	104	101	96	92	88	87	81	99

RPM	Nominal Ps	OUTLET SOUND POWER BY OCTAVE BANDS dB Lwo								LwoA
		63	125	250	500	1000	2000	4000	8000	
1750	0.50	111	108	102	100	94	93	88	79	102
	1.50	111	107	102	100	94	92	87	78	101
	4.00	108	105	100	97	90	87	81	74	98
	7.00	117	111	97	95	91	89	87	76	100
1900	0.50	113	111	104	102	96	95	92	81	104
	1.50	113	111	104	102	96	94	90	81	104
	4.00	111	108	102	100	93	90	85	77	101
	7.00	118	114	100	99	94	91	90	79	103
2050	0.50	115	114	106	105	98	97	95	84	107
	3.00	114	113	106	105	97	96	91	82	106
	5.00	112	111	104	103	95	92	87	80	104
	9.00	120	119	101	100	95	92	93	81	106
2200	0.50	116	116	106	107	99	99	97	86	109
	4.00	114	114	104	106	97	95	92	83	106
	9.00	121	121	102	103	98	94	96	84	108
	11.80	123	123	101	102	97	93	97	84	110

The sound power level ratings shown are in decibels, referred to 10-12 watts, calculated per AMCA International Standard 301. The A-weighted sound ratings shown have been calculated per AMCA International Standard 301. Values shown are for inlet LWi and inlet LWiA sound power levels for Installation Type B: free inlet, ducted outlet. Values shown are for outlet Lwo and outlet LwoA sound power levels for Installation Type B: free inlet, ducted outlet. Ratings include the effects of duct end correction.

270 CLASS 1 | BELT & DIRECT DRIVE - SOUND PERFORMANCE

100% Width

RPM	Nominal Ps	INLET SOUND POWER BY OCTAVE BANDS dB Lwi								LwiA
		63	125	250	500	1000	2000	4000	8000	
450	0.00	70	69	66	63	59	49	42	34	64
	0.13	70	69	65	62	58	49	41	33	63
	0.25	70	68	63	59	55	47	38	30	61
	0.50	72	65	60	57	54	47	39	32	59
750	0.00	81	82	79	76	74	67	58	51	78
	0.50	81	82	79	75	72	66	58	50	77
	1.00	81	81	77	71	68	63	55	46	74
	1.63	82	80	74	69	67	63	56	48	73
1200	0.00	91	92	91	88	85	83	74	66	91
	1.50	91	92	91	86	82	80	72	64	89
	3.00	93	91	88	84	80	79	72	64	87
	4.25	94	91	87	82	78	77	71	64	85
1556	0.00	97	97	97	95	92	90	84	75	97
	2.50	96	97	97	94	89	87	81	73	96
	5.00	98	98	95	91	87	85	81	73	94
	7.10	99	98	94	90	85	83	79	72	92

RPM	Nominal Ps	OUTLET SOUND POWER BY OCTAVE BANDS dB Lwo								LwoA
		63	125	250	500	1000	2000	4000	8000	
450	0.00	85	73	68	67	63	53	46	39	69
	0.13	84	73	67	66	60	52	44	37	67
	0.25	82	72	65	62	57	49	41	33	64
	0.50	90	70	65	63	61	50	44	38	68
750	0.00	90	86	83	79	78	71	62	55	82
	0.50	88	85	81	76	74	67	59	51	79
	1.00	86	83	79	73	69	63	56	48	76
	1.63	90	81	79	74	74	69	60	54	78
1200	0.00	106	97	97	90	89	88	77	70	95
	1.50	104	95	96	88	85	82	74	66	92
	3.00	111	95	93	88	85	86	75	68	93
	4.25	113	93	91	88	83	86	75	68	93
1556	0.00	112	107	103	99	95	94	87	78	102
	2.50	110	105	101	97	92	89	83	75	99
	5.00	116	107	99	96	92	91	86	76	100
	7.10	119	108	97	95	90	90	85	76	99

The sound power level ratings shown are in decibels, referred to 10-12 watts, calculated per AMCA International Standard 301. The A-weighted sound ratings shown have been calculated per AMCA International Standard 301. Values shown are for inlet Lwi and inlet LwiA sound power levels for Installation Type B: free inlet, ducted outlet. Values shown are for outlet Lwo and outlet LwoA sound power levels for Installation Type B: free inlet, ducted outlet. Ratings include the effects of duct end correction.

270 CLASS 2 | BELT & DIRECT DRIVE - SOUND PERFORMANCE

100% Width

RPM	Nominal Ps	INLET SOUND POWER BY OCTAVE BANDS dB Lwi								LwiA
		63	125	250	500	1000	2000	4000	8000	
1600	0.50	98	98	98	96	93	90	85	76	98
	1.50	97	98	98	96	92	89	84	75	98
	4.00	96	97	97	94	89	85	81	72	95
	7.00	100	98	95	91	86	84	80	73	93
1700	0.50	99	99	99	98	94	92	87	78	100
	1.50	99	99	99	97	94	91	86	77	99
	4.00	98	98	99	96	91	87	83	75	97
	7.00	101	100	97	93	89	86	83	75	96
1850	0.50	101	101	101	100	96	94	90	80	102
	3.00	100	100	101	99	95	92	88	80	101
	5.00	100	100	101	98	93	89	86	78	100
	9.00	103	102	99	95	91	88	85	78	97
2000	0.50	102	103	103	102	98	96	93	83	104
	4.00	102	102	103	101	96	93	90	81	102
	9.00	104	104	102	98	94	90	88	81	100
	11.80	105	104	101	97	92	89	87	80	99

RPM	Nominal Ps	OUTLET SOUND POWER BY OCTAVE BANDS dB Lwo								LwoA
		63	125	250	500	1000	2000	4000	8000	
1600	0.50	112	108	103	100	95	94	88	79	102
	1.50	112	107	103	99	95	93	87	78	102
	4.00	109	105	101	97	91	87	81	74	99
	7.00	118	109	98	96	91	90	86	77	100
1700	0.50	114	110	105	102	96	95	90	81	104
	1.50	113	109	105	102	96	95	89	80	104
	4.00	111	107	103	99	93	90	84	77	101
	7.00	119	112	100	98	93	92	89	79	102
1850	0.50	116	113	106	104	98	98	94	83	106
	3.00	114	112	107	104	98	96	91	82	106
	5.00	113	110	104	102	95	92	87	79	103
	9.00	121	116	102	100	95	93	92	81	105
2000	0.50	117	116	108	107	100	99	97	86	109
	4.00	115	114	107	106	98	96	92	83	107
	9.00	122	120	104	103	98	95	96	84	108
	11.80	124	121	103	102	97	94	96	84	108

The sound power level ratings shown are in decibels, referred to 10-12 watts, calculated per AMCA International Standard 301. The A-weighted sound ratings shown have been calculated per AMCA International Standard 301. Values shown are for inlet Lwi and inlet LwiA sound power levels for Installation Type B: free inlet, ducted outlet. Values shown are for outlet Lwo and outlet LwoA sound power levels for Installation Type B: free inlet, ducted outlet. Ratings include the effects of duct end correction.

300 CLASS 1 | BELT & DIRECT DRIVE - SOUND PERFORMANCE

100% Width

RPM	Nominal Ps	INLET SOUND POWER BY OCTAVE BANDS dB Lwi								LwiA
		63	125	250	500	1000	2000	4000	8000	
450	0.00	74	72	69	66	62	53	45	37	67
	0.25	73	71	67	63	59	51	42	34	65
	0.50	75	69	64	62	58	51	43	35	64
	0.75	76	67	62	59	57	50	43	35	62
800	0.00	86	86	84	81	78	73	64	56	83
	0.75	86	86	83	79	76	71	62	54	81
	1.50	86	85	81	77	74	70	62	54	80
	2.25	86	85	79	74	72	68	61	53	78
1050	0.00	92	92	91	88	85	83	73	65	91
	1.25	91	92	91	87	84	80	72	64	89
	2.75	93	91	88	84	80	79	71	63	87
	4.00	94	91	86	81	78	76	70	63	85
1400	0.00	98	98	98	96	92	90	83	74	98
	2.50	97	98	98	94	90	87	81	72	96
	5.00	99	98	96	92	88	86	80	73	94
	7.10	100	98	94	90	86	83	79	72	93

RPM	Nominal Ps	OUTLET SOUND POWER BY OCTAVE BANDS dB Lwo								LwoA
		63	125	250	500	1000	2000	4000	8000	
450	0.00	88	77	71	70	66	56	49	42	72
	0.25	86	75	68	66	61	53	45	38	68
	0.50	92	74	69	67	65	54	48	42	71
	0.75	95	72	68	66	65	54	48	42	72
800	0.00	96	91	88	83	83	77	67	60	87
	0.75	94	89	86	81	78	72	64	57	84
	1.50	96	87	85	81	80	75	66	59	84
	2.25	97	86	84	79	78	74	65	59	83
1050	0.00	106	96	97	90	89	87	76	69	95
	1.25	104	94	96	88	85	82	73	66	92
	2.75	110	93	93	88	85	86	74	68	92
	4.00	112	91	91	87	83	86	73	67	92
1400	0.00	113	106	104	98	95	95	87	78	102
	2.50	111	104	102	97	92	89	83	75	99
	5.00	117	105	100	96	92	92	85	76	100
	7.10	119	105	98	95	91	91	84	76	100

The sound power level ratings shown are in decibels, referred to 10-12 watts, calculated per AMCA International Standard 301. The A-weighted sound ratings shown have been calculated per AMCA International Standard 301. Values shown are for inlet Lwi and inlet LwiA sound power levels for Installation Type B: free inlet, ducted outlet. Values shown are for outlet Lwo and outlet LwoA sound power levels for Installation Type B: free inlet, ducted outlet. Ratings include the effects of duct end correction.

300 CLASS 2 | BELT & DIRECT DRIVE - SOUND PERFORMANCE

100% Width

RPM	Nominal Ps	INLET SOUND POWER BY OCTAVE BANDS dB Lwi								LwiA
		63	125	250	500	1000	2000	4000	8000	
1450	0.50	99	99	99	97	93	91	84	76	99
	1.50	98	99	99	96	93	90	84	75	98
	4.00	98	98	98	94	89	86	81	72	96
	7.00	101	99	96	91	87	85	80	73	94
1525	0.50	100	100	100	98	95	92	86	77	100
	2.00	99	100	100	97	94	91	85	77	99
	5.00	98	99	99	95	90	87	82	74	97
	8.50	102	100	97	92	88	85	82	75	95
1650	0.50	101	102	102	100	97	94	89	80	102
	2.00	101	101	102	100	96	93	88	79	102
	5.00	100	101	101	98	93	90	85	77	100
	8.50	103	102	99	95	91	88	85	78	98
1800	0.50	103	104	104	102	99	96	92	83	104
	4.00	103	103	103	101	97	93	90	81	103
	9.00	105	104	102	98	94	91	88	81	101
	11.80	106	105	101	97	92	89	87	80	99

RPM	Nominal Ps	OUTLET SOUND POWER BY OCTAVE BANDS dB Lwo								LwoA
		63	125	250	500	1000	2000	4000	8000	
1450	0.50	113	107	104	100	96	95	87	79	103
	1.50	113	107	104	99	96	93	86	78	102
	4.00	110	104	102	97	92	88	82	74	99
	7.00	119	107	99	96	92	92	86	77	100
1525	0.50	115	109	105	101	97	96	89	80	104
	2.00	114	108	106	101	97	94	88	79	104
	5.00	111	106	103	98	92	88	82	75	100
	8.50	122	110	100	98	93	93	88	79	102
1650	0.50	116	112	107	104	99	98	92	83	106
	2.00	116	111	107	104	98	97	91	82	106
	5.00	113	109	105	101	95	92	86	78	103
	8.50	122	113	102	100	96	94	91	81	104
1800	0.50	118	115	109	107	101	100	96	86	109
	4.00	116	113	108	105	99	96	91	83	107
	9.00	123	118	105	103	98	96	95	84	107
	11.80	125	119	103	102	98	96	95	84	107

The sound power level ratings shown are in decibels, referred to 10-12 watts, calculated per AMCA International Standard 301. The A-weighted sound ratings shown have been calculated per AMCA International Standard 301. Values shown are for inlet Lwi and inlet LwiA sound power levels for Installation Type B: free inlet, ducted outlet. Values shown are for outlet Lwo and outlet LwoA sound power levels for Installation Type B: free inlet, ducted outlet. Ratings include the effects of duct end correction.

330 CLASS 1 | BELT & DIRECT DRIVE - SOUND PERFORMANCE

100% Width

RPM	Nominal Ps	INLET SOUND POWER BY OCTAVE BANDS dB Lwi								LwiA
		63	125	250	500	1000	2000	4000	8000	
400	0.00	74	72	69	66	61	52	44	36	67
	0.25	73	71	66	63	58	50	41	33	64
	0.50	75	68	64	61	57	50	42	34	63
	0.75	76	66	62	59	56	49	42	34	61
700	0.00	86	86	83	80	78	71	62	54	83
	0.63	86	86	83	79	76	70	61	53	81
	1.25	85	86	81	76	72	67	58	50	79
	2.00	86	85	78	74	72	67	60	52	77
1050	0.00	95	95	94	91	88	86	76	68	93
	1.50	94	95	94	90	86	83	75	67	92
	3.00	96	94	91	87	84	82	74	66	90
	4.75	96	94	89	84	81	79	73	65	88
1273	0.00	99	99	99	96	93	91	83	74	98
	2.50	98	99	98	94	90	88	80	72	96
	5.00	100	99	96	92	88	86	80	72	95
	7.10	101	99	95	90	86	84	79	72	93

RPM	Nominal Ps	OUTLET SOUND POWER BY OCTAVE BANDS dB Lwo								LwoA
		63	125	250	500	1000	2000	4000	8000	
400	0.00	89	76	71	71	65	55	48	41	71
	0.25	86	74	68	66	60	52	44	36	68
	0.50	93	73	68	67	63	53	47	41	71
	0.75	97	72	67	67	64	53	48	43	73
700	0.00	94	91	86	83	83	74	66	59	86
	0.63	92	91	86	82	79	72	64	57	85
	1.25	90	88	83	78	74	68	60	52	81
	2.00	93	86	83	79	79	72	64	58	83
1050	0.00	109	99	100	92	92	90	79	72	97
	1.50	107	97	98	90	88	85	76	68	95
	3.00	112	96	96	91	88	89	77	71	95
	4.75	114	94	95	90	86	88	76	70	95
1273	0.00	114	106	104	98	96	95	86	78	103
	2.50	112	103	103	96	93	90	82	74	100
	5.00	118	104	101	96	92	93	84	76	100
	7.10	120	103	99	95	91	93	83	76	100

The sound power level ratings shown are in decibels, referred to 10-12 watts, calculated per AMCA International Standard 301. The A-weighted sound ratings shown have been calculated per AMCA International Standard 301. Values shown are for inlet Lwi and inlet LwiA sound power levels for Installation Type B: free inlet, ducted outlet. Values shown are for outlet Lwo and outlet LwoA sound power levels for Installation Type B: free inlet, ducted outlet. Ratings include the effects of duct end correction.

330 CLASS 2 | BELT & DIRECT DRIVE - SOUND PERFORMANCE

100% Width

RPM	Nominal Ps	INLET SOUND POWER BY OCTAVE BANDS dB Lwi								LwiA
		63	125	250	500	1000	2000	4000	8000	
1300	0.50	99	100	99	96	93	91	83	75	99
	1.50	99	100	99	96	93	90	83	74	98
	4.00	98	99	98	94	89	86	80	71	96
	7.00	101	99	95	91	87	85	80	72	94
1375	0.50	100	101	101	98	95	93	85	77	100
	1.50	100	101	100	98	94	92	85	76	100
	4.00	99	100	100	96	91	88	82	74	98
	7.00	102	101	97	93	89	87	82	75	96
1500	0.50	102	103	103	100	97	95	89	80	103
	3.00	102	102	102	100	96	93	87	79	102
	5.00	101	102	102	98	93	90	85	76	100
	8.50	104	103	100	95	91	89	85	77	98
1650	0.50	104	105	105	103	100	97	92	83	105
	4.00	104	104	104	102	97	94	90	81	103
	9.00	106	105	103	99	95	92	88	81	101
	12.00	107	105	102	97	93	90	87	80	100

RPM	Nominal Ps	OUTLET SOUND POWER BY OCTAVE BANDS dB Lwo								LwoA
		63	125	250	500	1000	2000	4000	8000	
1300	0.50	114	106	105	99	96	95	86	78	103
	1.50	113	105	105	99	96	93	85	77	102
	4.00	111	103	103	96	91	87	81	73	99
	7.00	120	104	100	96	91	93	84	77	100
1375	0.50	115	108	106	101	98	96	88	80	104
	1.50	115	108	106	100	97	95	87	79	104
	4.00	112	105	104	98	93	90	83	76	101
	7.00	121	107	101	98	94	94	87	78	102
1500	0.50	117	111	108	104	100	99	92	83	107
	3.00	115	110	107	102	97	95	88	80	105
	5.00	114	108	106	101	95	92	86	78	103
	8.50	123	111	103	100	96	96	90	81	104
1650	0.50	119	115	110	107	102	101	95	86	109
	4.00	117	113	109	105	99	97	91	83	107
	9.00	124	116	106	104	99	98	94	84	107
	12.00	126	117	104	103	98	97	94	84	107

The sound power level ratings shown are in decibels, referred to 10-12 watts, calculated per AMCA International Standard 301. The A-weighted sound ratings shown have been calculated per AMCA International Standard 301. Values shown are for inlet Lwi and inlet LwiA sound power levels for Installation Type B: free inlet, ducted outlet. Values shown are for outlet Lwo and outlet LwoA sound power levels for Installation Type B: free inlet, ducted outlet. Ratings include the effects of duct end correction.

365 CLASS 1 | BELT DRIVE - SOUND PERFORMANCE

100% Width

RPM	Nominal Ps	INLET SOUND POWER BY OCTAVE BANDS dB Lwi								LwiA
		63	125	250	500	1000	2000	4000	8000	
350	0.00	74	71	68	66	59	50	42	35	66
	0.25	73	70	65	63	56	48	39	31	64
	0.50	75	67	63	61	56	48	41	33	62
	0.75	77	64	61	59	55	48	41	34	61
650	0.00	88	88	85	81	79	71	63	55	84
	0.88	87	88	83	78	76	69	60	52	81
	1.63	87	87	80	76	75	69	61	53	80
	2.25	87	86	79	75	73	68	60	53	78
950	0.00	96	96	95	91	88	85	75	68	94
	1.75	95	96	94	89	85	82	74	65	92
	3.50	97	95	91	87	84	81	74	66	90
	4.88	97	95	89	85	82	79	73	65	88
1151	0.00	100	100	100	96	93	92	82	74	99
	2.50	99	100	99	94	90	88	80	72	97
	5.00	101	99	96	92	88	87	80	72	95
	7.10	102	99	95	90	86	85	79	71	93

RPM	Nominal Ps	OUTLET SOUND POWER BY OCTAVE BANDS dB Lwo								LwoA
		63	125	250	500	1000	2000	4000	8000	
350	0.00	89	74	71	62	54	47	40	71	
	0.25	86	72	68	58	50	42	35	67	
	0.50	93	72	67	68	60	52	46	40	
	0.75	99	71	67	69	62	53	48	43	
650	0.00	94	93	87	85	84	75	66	59	
	0.88	92	91	85	81	78	71	63	55	
	1.63	92	89	85	81	82	73	65	59	
	2.25	92	87	84	79	81	72	65	59	
950	0.00	108	100	99	93	93	89	79	72	
	1.75	106	98	98	91	88	84	75	68	
	3.50	111	96	96	91	89	88	77	70	
	4.88	112	95	95	90	87	88	76	70	
1151	0.00	115	105	105	98	97	96	85	78	
	2.50	112	103	104	96	93	90	82	74	
	5.00	119	102	101	96	93	94	83	76	
	7.10	121	100	100	96	91	94	82	76	

The sound power level ratings shown are in decibels, referred to 10-12 watts, calculated per AMCA International Standard 301. The A-weighted sound ratings shown have been calculated per AMCA International Standard 301. Values shown are for inlet LWi and inlet LWiA sound power levels for Installation Type B: free inlet, ducted outlet. Values shown are for outlet Lwo and outlet LwoA sound power levels for Installation Type B: free inlet, ducted outlet. Ratings include the effects of duct end correction.

365 CLASS 2 | BELT DRIVE - SOUND PERFORMANCE

100% Width

RPM	Nominal Ps	INLET SOUND POWER BY OCTAVE BANDS dB Lwi								LwiA
		63	125	250	500	1000	2000	4000	8000	
1200	0.50	101	101	101	97	94	93	83	75	
	1.50	100	101	100	97	94	91	83	75	
	4.00	99	101	100	95	90	87	80	72	
	7.00	102	100	97	92	88	86	81	73	
1275	0.50	102	102	102	99	96	94	86	77	
	1.50	102	102	102	99	95	93	85	77	
	4.00	101	102	101	97	92	90	83	74	
	7.00	103	102	99	94	90	89	83	75	
1350	0.50	103	103	103	101	97	95	88	79	
	3.00	103	103	103	100	96	93	86	78	
	5.00	102	103	102	98	93	90	84	76	
	9.00	105	103	100	95	91	89	84	77	
1490	0.50	105	106	105	103	100	98	91	82	
	4.00	105	105	105	102	98	95	89	81	
	9.00	107	106	103	99	95	93	88	81	
	12.00	107	106	102	97	93	91	87	80	

RPM	Nominal Ps	OUTLET SOUND POWER BY OCTAVE BANDS dB Lwo								LwoA
		63	125	250	500	1000	2000	4000	8000	
1200	0.50	115	106	106	99	98	96	86	79	
	1.50	115	105	106	99	97	94	85	78	
	4.00	112	103	104	96	93	88	82	74	
	7.00	121	103	101	97	93	95	84	77	
1275	0.50	117	108	108	101	99	98	89	81	
	1.50	116	108	108	101	99	96	88	80	
	4.00	114	106	106	99	95	91	84	76	
	7.00	122	106	103	99	95	96	87	79	
1350	0.50	118	111	109	103	100	99	91	82	
	3.00	116	109	108	102	98	95	88	80	
	5.00	115	108	107	101	96	92	85	78	
	9.00	124	109	104	100	96	97	89	81	
1490	0.50	120	114	111	106	103	102	95	86	
	4.00	118	112	110	105	100	97	91	83	
	9.00	125	114	107	104	99	99	93	84	
	12.00	127	114	105	103	98	98	93	84	

The sound power level ratings shown are in decibels, referred to 10-12 watts, calculated per AMCA International Standard 301. The A-weighted sound ratings shown have been calculated per AMCA International Standard 301. Values shown are for inlet LWi and inlet LWiA sound power levels for Installation Type B: free inlet, ducted outlet. Values shown are for outlet Lwo and outlet LwoA sound power levels for Installation Type B: free inlet, ducted outlet. Ratings include the effects of duct end correction.

SOUND POWER LEVELS GUIDE

Sound Power Levels

Since any mechanical device generates some sound energy into the air, fans will create some noise. Because of the great number of factors influencing sound output, it is invalid to compare fans based on RPM, tip speed, or outlet velocity. The only accurate basis of comparison is the sound power level generated by the fan at the required point of operation.

Having sound power levels for a specific fan at a specific operating point allows the system designer to determine the theoretical sound pressure level at any point in the occupied space. AMCA Publication 303 and the ASHRAE Guides provide more information on this process. Another typical application of sound power levels is to compare similar fans. Generally, differences of 6 dB in the 63 Hz band and 3 dB in all other bands are considered insignificant.

System designers use many methods to predict acoustic acceptability of an occupied space.

The A-weighted sound pressure level provides a single number that corresponds well to the human judgement of relative loudness. OSHA bases their requirements regarding exposure to noise on A-weighted sound pressure levels. The disadvantage of this method is that A-weighted sound pressure levels do not provide information as to the quality of the sound. Noise Criteria (NC) curves are also widely used. To determine the NC level, the sound power spectrum is compared to defined limits. Other methods include RC curves, Sones, SIL and Noise Rating Curves.

Each method relies on sound pressure level information because the human ear "hears" sound pressure fluctuations, not sound power (watts). Sound pressure is a function of the attenuation of the space and the distance from the source. Consider a 100 watt light bulb. It provides adequate light for a closet, but not for a classroom, and in a stadium it would be imperceptible. While the light source was the same power (100 watts), the brightness level changed dramatically. Similarly, the same sound power level (acoustical energy) produces greatly different sound pressure levels (noise).

PENNBARRY PRODUCT SOLUTIONS



Commercial

- Roof & wall exhaust centrifugal fans
- Ceiling, wall, & inline centrifugal fans
- Roof supply centrifugal fans
- Square & round centrifugal fans
- Wall mounted axial fans
- Hooded roof axial fans
- Upblast roof axial fans
- Gravity ventilators
- Roof curbs



Industrial

- Freestanding centrifugal fans
- Industrial & material handling fans
- Tubular centrifugal inline fans
- Mixed flow centrifugal fans
- Plug & plenum fans
- Wall mounted propeller fans
- Tube axial fans
- Vane axial fans
- Bifurcator fans
- Lab exhaust

PennBarry is proud to be your preferred manufacturer of commercial and industrial fans and blowers. Learn how PennBarry can assist you in your next application by contacting your PennBarry Representative or visiting us on the web at www.pennbarry.com

PennBarry | www.pennbarry.com | pennbarrysales@pennbarry.com | Tel 765 483 5800

PennBarry reserves the right to make changes at any time, without notice, to models, construction, specifications, options and availability. This document illustrates the appearance of PennBarry products at the time of publication. View the latest updates on the PennBarry website.

© 2025 PennBarry. All rights reserved. vcPlume-Lite 2025.



PENNBARRY™