



# DIRECT DRIVE INDUSTRIAL HVLS FAN PRODUCT SPECIFICATIONS



## Project Information

Job Name \_\_\_\_\_  
 Address \_\_\_\_\_  
 Contractor \_\_\_\_\_  
 Distributor \_\_\_\_\_  
 Model \_\_\_\_\_ Quantity \_\_\_\_\_ Voltage/Phase \_\_\_\_\_

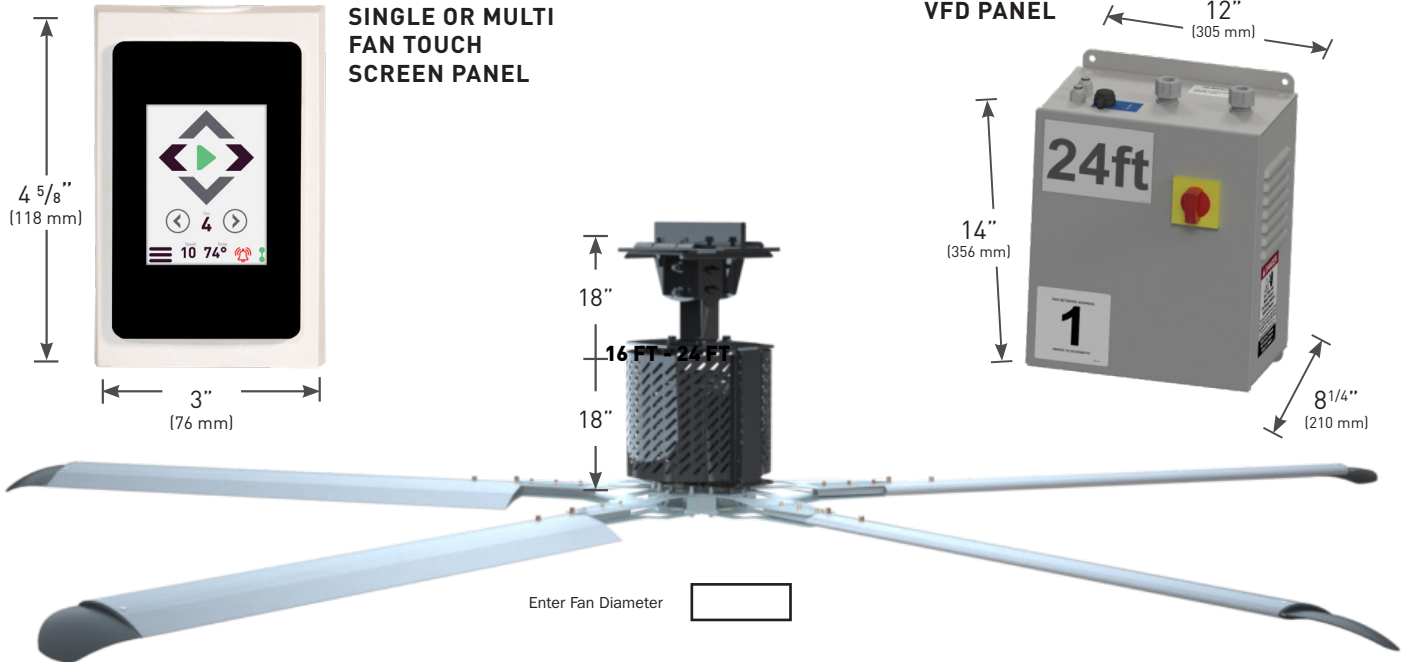
## Construction or Engineering Approval

By \_\_\_\_\_  
 Company \_\_\_\_\_  
 Address \_\_\_\_\_  
 \_\_\_\_\_  
 Date \_\_\_\_\_





# DIRECT DRIVE INDUSTRIAL HVLS FAN PRODUCT SPECIFICATIONS



## ELECTRICAL SIZING CHART

FAN SIZE	8 FT - 14 FT				16 FT - 24 FT		
Input Voltage	100-120V, 1PH, 50/60 HZ	200V-240V, 1PH, 50/60 HZ	200V-240V, 3PH, 50/60 HZ	360V-480V, 3PH, 50/60 HZ	200V-240V, 1PH, 50/60 HZ	200V-240V, 3PH, 50/60 HZ	360V-480V, 3PH, 50/60 HZ
System FLA	7.5A @ 120V, 1PH, 60HZ	7.5A @ 230V, 1PH, 60HZ	7.5A @ 230V, 3PH, 60HZ	3.75A @ 460V, 3PH, 60HZ	7.5A	7.5A	3.75A
Motor HP	1.07 HP, 0.8 KW	1.07 HP, 0.8 KW	1.07 HP, 0.8 KW	1.07 HP, 0.8 KW	1.61 HP, 1.2 KW	1.61 HP, 1.2 KW	1.61 HP, 1.2 KW
Motor Voltage	230V, 60 HZ	230V, 60 HZ	230V, 60 HZ	460V, 60 HZ	230V, 60 HZ	230V, 60 HZ	460V, 60 HZ
Motor FLA	6.0A	6.0A	6.0A	3.0A	6.0A	6.0A	3.0A
Fuse	KTKR25	KTKR25	KTKR25	KTKR15	KTKR25	KTKR25	KTKR15
MCA*	24.5A	20.13A	20.13A	11.13A	20.13A	20.13A	11.13A

\*MCA is the Minimum Circuit Ampacity. In accordance with NEC 430.122(A), MCA is calculated as 125% of the rated input current of the VFD

## CONSTRUCTION

GENERAL COMPONENTS	
Frame	Black Powder Coat / Welded Steel Fabrication
Hub Assembly	6061-T6 Aluminum
Blade Struts (Invertible)	Clear Zinc / High Tensile Steel
Blades	Anodized / 6063-T6 Aluminum
Blade End Winglets	Aluminum 3003-H14

SAFETY COMPONENTS	
Steel Hub Plate	
Safety Cable	Galvanized 1/4" x 7 x 19 Steel Aircraft Grade Cable
Guy Wires	Galvanized 1/8" x 7 x 19 Steel Aircraft Grade Cable
Rotor Retaining Ring	Zinc Plated / 3/16 A569 Steel

MOUNTING HARDWARE	
Standard Mount	Universal I-Beam Clamp w/ Swivel Joint & Drop
Laminated Wood Beam Clamp (Optional)	Brackets
Extra Wide / Thick I-Beam Mount (Optional)	Consult Factory
Additional Drop Extensions (Optional)	Up to 10 FT in 1 FT Increments



4Front Engineered Solutions reserves the right to change specifications and designs without notice and without incurring obligations. 4Front Engineered Solutions products may be the subject of one or more U.S. and/or foreign, issued and/or pending, design and/or utility patents. Kelley as words and logos are registered trademarks belonging to ASSA ABLOY Entrance Systems AB or other companies controlled by the same organization.

©ASSA ABLOY Entrance Systems. All Rights Reserved. Part of ASSA ABLOY

1612 Hutton Drive, Suite 140 • Carrollton, TX 75006, USA • www.kelleydockolutions.com



KSF-DDHVLS-1124

E506041





# DIRECT DRIVE INDUSTRIAL HVLS FAN PRODUCT SPECIFICATIONS

## Control Options

- Wired Touch Screen
- Wired Touch Screen with Temperature Control
- Multi Fan Remote (2-6) Fans
- Slave Remote
- NEMA 4X Remote Enclosure
- NEMA 4X VFD Enclosure
- iFan 4.3 (12 Fans Max/3 Groups Max) \*120V Power Required
  - Humidity/Temperature Sensor
  - BACnet TCP/IP
- iFan 7.0 (24 Fans Max/4 Groups Max) \*120V Power Required
  - BACnet TCP/IP
  - Humidity/Temperature Sensor
  - BACnet MSTP
  - Web Server \*Can decrease the amount of fans on the system\*
- iFan 10.0 (30 Fans Max/4 Groups Max) \*120V Power Required
  - BACnet TCP/IP
  - Humidity/Temperature Sensor
  - BACnet MSTP
  - Web Server \*Can decrease the amount of fans on the system\*
- BMS Interface Card
  - Modbus TCP/IP
  - BACnet TCP/IP
  - BACnet MSTP
  - Slave Remote

## Voltage

- 110V Single Phase \*8'-14' Sizes Only\*
- 208V Single Phase
- 240V Single Phase
- 208 - 240V 3 Phase
- 460 - 480V 3 Phase
- 575V 3 Phase

## Fire Panel

- Standard
- Networked

## Standard Blade Colors



BLACK



SILVER

## Mechanical Options

- Mounting Extensions \_\_\_\_\_ FT / M
- Extra Wide Beam Plate \_\_\_\_\_ inch wide beam
- Powder Coated Blades \_\_\_\_\_ RAL Color
- Powder Coated Frame & Mount \_\_\_\_\_ RAL Color
- Powder Coated Winglets \_\_\_\_\_ RAL Color
- Corrosion Resistant Package **\*\*consult factory**
- Black Anodized Blades  Silver Anodized Blades
- Black Motor Covers  Silver Motor Covers
- Laminated Wood Beam Brackets
- Truss Span Mounting Kit (consult factory)
- Z-Purlin Mounting Kit (consult factory)

Model Number	Fan Size	Hanging Weight	Normal Industrial Spacing	RPM
KDF08-855	8 FT 85NM	166 lbs. (75 kg)	55 feet	198
KDF10-855	10 FT 85NM	174 lbs. (79 kg)	60 feet	154
KDF12-855	12 FT 85NM	183 lbs. (83 kg)	65 feet	125
KDF14-855	14 FT 85NM	191 lbs. (86 kg)	70 feet	106
KDF16-1885	16 FT 188NM	216 lbs. (97 kg)	90 feet	92
KDF18-1885	18 FT 188NM	224 lbs. (101 kg)	95 feet	81
KDF20-1885	20 FT 188NM	232 lbs. (105 kg)	100 feet	72
KDF24-1885	24 FT 188NM	249 lbs. (112 kg)	110 feet	55

**Direct Drive HVLS Fan Warranty:** Please See Full Warranty Outline Located in the HVLS Users Manual

Mechanical	Electrical	Labor	Standard Remote	iFan Controls	BMS Interface Card	Accessory Sensors
15 Years	7 Years	1 Year	1 Year	1 Year	1 Year	1 Year



4Front Engineered Solutions reserves the right to change specifications and designs without notice and without incurring obligations. 4Front Engineered Solutions products may be the subject of one or more U.S. and/or foreign, issued and/or pending, design and/or utility patents. Kelley as words and logos are registered trademarks belonging to ASSA ABLOY Entrance Systems AB or other companies controlled by the same organization.

©ASSA ABLOY Entrance Systems. All Rights Reserved. Part of ASSA ABLOY

1612 Hutton Drive, Suite 140 • Carrollton, TX 75006, USA • [www.kelleydockolutions.com](http://www.kelleydockolutions.com)



KSF-DDHVLS-1124

E506041



# DIRECT DRIVE INDUSTRIAL HVLS FAN AMCA CHART

Fan Diameter (ft)	Calculated % of Max CFM	Calculated % of Max RPM	Fan RPM	CFM *Tested to ANSI/AMCA Standard 230-15 HVLS*	Voltage / Phase / Frequency	Large Diameter Ceiling Fan - Ceiling Fan Energy Index (CFEI)	Standby Power [Watts]	Electrical Input Power [Watts] at Standard Air Density	Direction	Reversible?
8	15%	18%	35	6,817	120 V / Single Phase		7	29	Forward	Yes
	37%	41%	78	14,957	120 V / Single Phase	2.91	7	58	Forward	Yes
	58%	59%	116	22,679	120 V / Single Phase		7	142	Forward	Yes
	79%	81%	157	30,834	120 V / Single Phase		7	308	Forward	Yes
	100%	100%	195	39,040	120 V / Single Phase	1.64	7	585	Forward	Yes
10	19%	20%	30	12,227	120 V / Single Phase		7	36	Forward	Yes
	40%	46%	61	23,350	120 V / Single Phase	2.95	7	67	Forward	Yes
	61%	62%	92	35,123	120 V / Single Phase		7	174	Forward	Yes
	81%	83%	123	46,914	120 V / Single Phase		7	374	Forward	Yes
	100%	100%	149	57,796	120 V / Single Phase	1.58	7	402	Forward	Yes
12	15%	22%	27	11,955	120 V / Single Phase		7	42	Forward	Yes
	39%	41%	51	31,022	120 V / Single Phase	2.53	7	82	Forward	Yes
	60%	61%	76	47,190	120 V / Single Phase		7	200	Forward	Yes
	80%	81%	100	63,000	120 V / Single Phase		7	434	Forward	Yes
	100%	100%	124	78,863	120 V / Single Phase	1.47	7	840	Forward	Yes
14	20%	24%	25	21,500	120 V / Single Phase		7	44	Forward	Yes
	42%	42%	45	44,185	120 V / Single Phase	2.65	7	95	Forward	Yes
	61%	59%	63	65,051	120 V / Single Phase		7	245	Forward	Yes
	80%	80%	85	85,226	120 V / Single Phase		7	540	Forward	Yes
	100%	100%	106	106,456	120 V / Single Phase	1.42	7	1064	Forward	Yes
16	21%	26%	23	26,607	208 V / Single Phase		7	73	Forward	Yes
	42%	44%	40	53,183	208 V / Single Phase	1.87	7	138	Forward	Yes
	62%	63%	57	79,393	208 V / Single Phase		7	303	Forward	Yes
	81%	82%	74	103,504	208 V / Single Phase		7	603	Forward	Yes
	100%	100%	90	127,208	208 V / Single Phase	1.48	7	997	Forward	Yes
18	22%	27%	22	35,055	208 V / Single Phase		7	79	Forward	Yes
	42%	44%	36	66,284	208 V / Single Phase	1.8	7	157	Forward	Yes
	62%	63%	51	97,437	208 V / Single Phase		7	350	Forward	Yes
	80%	81%	66	127,334	208 V / Single Phase		7	659	Forward	Yes
	100%	100%	81	158,260	208 V / Single Phase	1.38	7	1234	Forward	Yes
20	25%	29%	21	47,422	208 V / Single Phase		7	86	Forward	Yes
	43%	46%	33	82,713	208 V / Single Phase	1.79	7	172	Forward	Yes
	62%	64%	46	118,333	208 V / Single Phase		7	377	Forward	Yes
	81%	82%	59	150,758	208 V / Single Phase		7	738	Forward	Yes
	100%	100%	72	185,019	208 V / Single Phase	1.27	7	1394	Forward	Yes
24	23%	27%	15	52,845	208 V / Single Phase		7	71	Forward	Yes
	37%	42%	23	84,008	208 V / Single Phase	1.86	7	134	Forward	Yes
	64%	67%	37	145,009	208 V / Single Phase		7	378	Forward	Yes
	83%	84%	46	186,846	208 V / Single Phase		7	756	Forward	Yes
	100%	100%	55	225,582	208 V / Single Phase	1.19	7	1344	Forward	Yes



4Front Engineered Solutions certifies that the Direct Drive model 8'-24' shown herein is licensed to bear the AMCA seal. The ratings shown are based on the tests and procedures performed in accordance with AMCA publication 211 and comply with the requirements of the AMCA Certified Ratings Program.

AMCA Certified ratings seal applies at free delivery only. Performance ratings do not include the effects of appurtenances (accessories).



4Front Engineered Solutions reserves the right to change specifications and designs without notice and without incurring obligations. 4Front Engineered Solutions products may be the subject of one or more U.S. and/or foreign, issued and/or pending, design and/or utility patents. Kelley as words and logos are registered trademarks belonging to ASSA ABLÖY Entrance Systems AB or other companies controlled by the same organization.

©ASSA ABLÖY Entrance Systems. All Rights Reserved. Part of ASSA ABLÖY  
1612 Hutton Drive, Suite 140 • Carrollton, TX 75006, USA • [www.kelleydockedsolutions.com](http://www.kelleydockedsolutions.com)

KSF-DDHVLS-1124



E506041

