



COMMERCIAL HVLS FAN PRODUCT SPECIFICATIONS



Project Information

Job Name _____
 Address _____
 Contractor _____
 Distributor _____
 Model _____ Quantity _____ Voltage/Phase _____

Construction or Engineering Approval

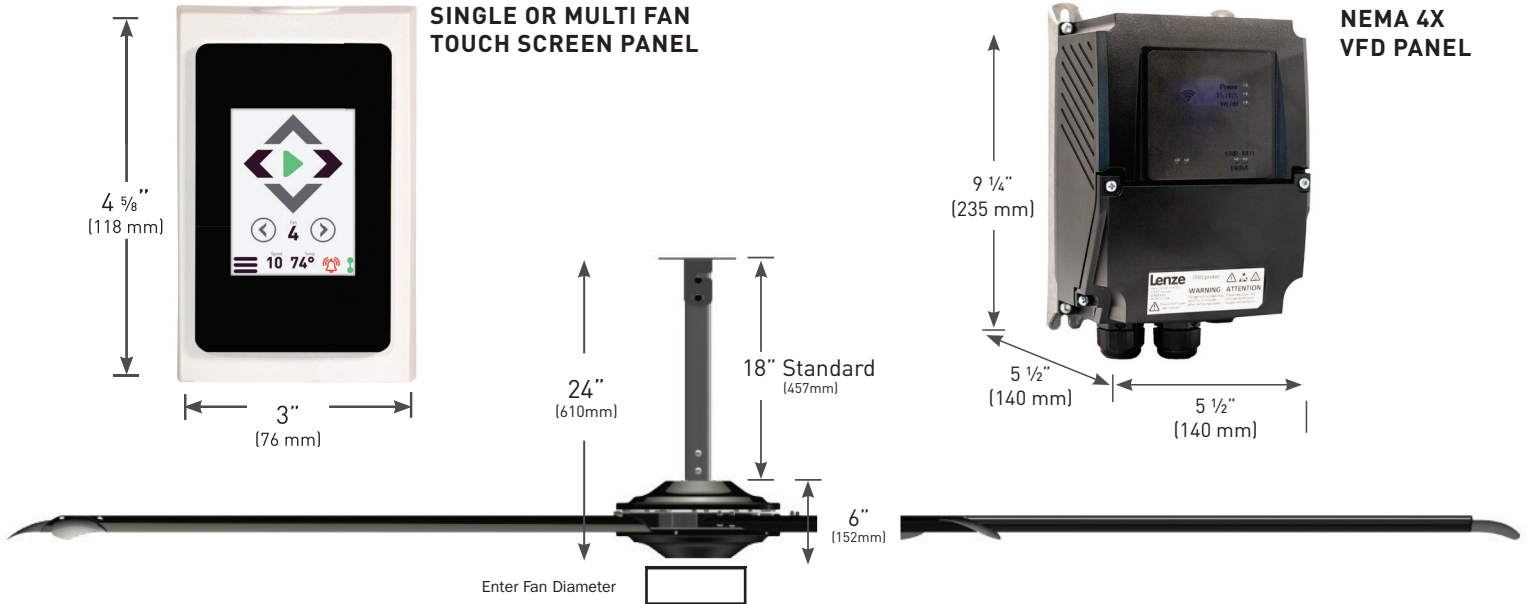
By _____
 Company _____
 Address _____

 Date _____





COMMERCIAL HVLS FAN PRODUCT SPECIFICATIONS



ELECTRICAL SIZING CHART

FAN SIZE	6 FT - 14 FT		
Input Voltage	100-120V, 1PH, 50/60 HZ	200V-240V, 1PH, 50/60 HZ	200V-240V, 3PH, 50/60 HZ
System FLA	4.13A @ 120V, 1PH, 60HZ	4.13A @ 230V, 1PH, 60HZ	4.13A @ 230V, 3PH, 60HZ
Motor HP	0.58 HP, 0.43 KW	0.58 HP, 0.43 KW	0.58 HP, 0.43 KW
Motor Voltage	127V, 60 HZ	127V, 60 HZ	127V, 60 HZ
Motor FLA	3.3A	3.3A	3.3A
BCPD	25A	15A	10A
MCA*	21A	12.5A	8A

*MCA is the Minimum Circuit Ampacity. In accordance with NEC 430.122(A), MCA is calculated as 125% of the rated input current of the VFD.

CONSTRUCTION

GENERAL COMPONENTS	
Hub Assembly	50,000 lbs. Yield High Tensile Steel
Motor Housing	.050 3003 Aluminum, Powder coated
Blades	6063-T6 Aluminum, Powder coated
Blade End Winglets	6061-T6 Aluminum, Powder coated

SAFETY COMPONENTS	
Blade Attachment Retainers	50,000 lbs Yield High Tensile Steel

MOUNTING HARDWARE	
Standard Mount	Versatile 45° Mounting Bracket
Additional Drop Extensions (Optional)	Up to 15 FT - 1 FT increments



4Front Engineered Solutions reserves the right to change specifications and designs without notice and without incurring obligations. 4Front Engineered Solutions products may be the subject of one or more U.S. and/or foreign, issued and/or pending, design and/or utility patents. Kelley as words and logos are registered trademarks belonging to ASSA ABLOY Entrance Systems AB or other companies controlled by the same organization.

©ASSA ABLOY Entrance Systems. All Rights Reserved. Part of ASSA ABLOY

1612 Hutton Drive, Suite 140 • Carrollton, TX 75006, USA • www.kelleydocksolutions.com



KSF-CHVLS-1124

E506041



COMMERCIAL HVLS FAN PRODUCT SPECIFICATIONS

Control Options

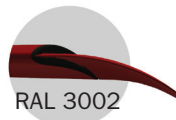
- Wired Touch Screen
- Wired Touch Screen with Temperature Control
- Multi Fan Remote (2-6) Fans
- Slave Remote
- NEMA 4X Remote Enclosure
- NEMA 4X VFD Enclosure
- iFan 4.3 (12 Fans Max/3 Groups Max) *120V Power Required
 - Humidity/Temperature Sensor
 - BACnet TCP/IP
- iFan 7.0 (24 Fans Max/4 Groups Max) *120V Power Required
 - BACnet TCP/IP
 - Humidity/Temperature Sensor
 - BACnet MSTP
 - Web Server *Can decrease the amount of fans on the system*
- iFan 10.0 (30 Fans Max/4 Groups Max) *120V Power Required
 - BACnet TCP/IP
 - Humidity/Temperature Sensor
 - BACnet MSTP
 - Web Server *Can decrease the amount of fans on the system*
- BMS Interface Card
 - Modbus TCP/IP
 - BACnet TCP/IP
 - BACnet MSTP
 - Slave Remote

Fire Panel

- Standard
- Networked

Available Colors

Standard RAL powder coat colors below. Custom colors and combinations are available.



Mechanical Options

- Mounting Extensions _____ FT / M
- Silver (RAL 9006)
- Blue (RAL 5013)
- Black (RAL 9017)
- Green (RAL 6016)
- White (RAL 9003)
- Orange (RAL 2004)
- Red (RAL 3002)
- Others _____
- Extra Wide Beam Mount
- Laminated Wood Beam Brackets
- Truss Span Mounting Kit (consult factory)
- Z-Purlin Mounting Kit (consult factory)

Voltage

- 120V Single Phase
- 208V - 240V 3 Phase
- 208 - 240V Single Phase

Model Number	Fan Size	Motor	Hang Weight	RPM
KCF06-05	6 FT	.58 HP	50 lbs (22.7 kg)	180
KCF08-05	8 FT	.58 HP	54 lbs (24.7 kg)	155
KCF10-05	10 FT	.58 HP	59 lbs (26.8 kg)	110
KCF12-05	12 FT	.58 HP	63 lbs (28.6 kg)	80
KCF14-05	14 FT	.58 HP	68 lbs (30.8 kg)	60

Commercial HVLS Fan Warranty: Please See Full Warranty Outline Located in the HVLS Users Manual

Mechanical	Electrical	Labor	Standard Remote	iFan Controls	BMS Interface Card	Accessory Sensors
10 Years	5 Years	1 Year	1 Year	1 Year	1 Year	1 Year



4Front Engineered Solutions reserves the right to change specifications and designs without notice and without incurring obligations. 4Front Engineered Solutions products may be the subject of one or more U.S. and/or foreign, issued and/or pending, design and/or utility patents. Kelley as words and logos are registered trademarks belonging to ASSA ABLOY Entrance Systems AB or other companies controlled by the same organization.

©ASSA ABLOY Entrance Systems. All Rights Reserved. Part of ASSA ABLOY

1612 Hutton Drive, Suite 140 • Carrollton, TX 75006, USA • www.kelleydocksolutions.com



KSF-CHVLS-1124



COMMERCIAL HVLS FAN AMCA CHART

Fan Diameter (ft)	Calculated % of Max CFM	Calculated % of Max RPM	Fan RPM	CFM *Tested to ANSI/AMCA Standard 230-15 HVLS*	Voltage / Phase / Frequency	Efficacy (CFM/W)	Standby Power [Watts]	Electrical Input Power [Watts] at Standard Air Density	Direction	Reversible?
6	21%	18%	36	3,446	120 V / Single Phase	137.71	6	27	Forward	Yes
	36%	39%	78	5,856	120 V / Single Phase	170.14	6	38	Forward	Yes
	55%	59%	118	9,116	120 V / Single Phase	171.71	6	58	Forward	Yes
	78%	80%	159	12,875	120 V / Single Phase	150.34	6	94	Forward	Yes
	100%	100%	200	16,458	120 V / Single Phase	111.52	6	163	Forward	Yes
						Large Diameter Ceiling Fan - Ceiling Fan Energy Index (CFEI)				
8	18%	20%	31	5,272	120 V / Single Phase		6	28	Forward	Yes
	36%	41%	63	10,580	120 V / Single Phase	3.06	6	41	Forward	Yes
	57%	62%	95	16,763	120 V / Single Phase		6	76	Forward	Yes
	78%	83%	127	22,862	120 V / Single Phase		6	141	Forward	Yes
	100%	100%	153	29,168	120 V / Single Phase	1.86	6	268	Forward	Yes
10	20%	23%	25	7,422	120 V / Single Phase		6	27	Forward	Yes
	38%	42%	46	13,907	120 V / Single Phase	2.71	6	41	Forward	Yes
	58%	62%	68	21,138	120 V / Single Phase		6	73	Forward	Yes
	79%	81%	89	28,553	120 V / Single Phase		6	136	Forward	Yes
	100%	100%	110	36,242	120 V / Single Phase	1.6	6	246	Forward	Yes
12	26%	28%	22	16,814	120 V / Single Phase		6	28	Forward	Yes
	42%	45%	36	22,582	120 V / Single Phase	2.69	6	41	Forward	Yes
	60%	64%	51	27,641	120 V / Single Phase		6	71	Forward	Yes
	80%	81%	65	33,760	120 V / Single Phase		6	128	Forward	Yes
	100%	100%	80	42,151	120 V / Single Phase	1.26	6	237	Forward	Yes
14	25%	25%	15	19,589	120 V / Single Phase		6	25	Forward	Yes
	38%	42%	25	24,592	120 V / Single Phase	2.89	6	34	Forward	Yes
	61%	58%	35	30,017	120 V / Single Phase		6	53	Forward	Yes
	81%	83%	50	40,218	120 V / Single Phase		6	122	Forward	Yes
	100%	100%	60	49,035	120 V / Single Phase	1.17	6	227	Forward	Yes



4Front Engineered Solutions certifies that the commercial model 8'-14' shown herein is licensed to bear the AMCA seal. The ratings shown are based on the tests and procedures performed in accordance with AMCA publication 211 and comply with the requirements of the AMCA Certified Ratings Program.

AMCA Certified ratings seal applies at free delivery only. Performance ratings do not included the effects of appurtenances (accessories).



4Front Engineered Solutions reserves the right to change specifications and designs without notice and without incurring obligations. 4Front Engineered Solutions products may be the subject of one or more U.S. and/or foreign, issued and/or pending, design and/or utility patents. Kelley as words and logos are registered trademarks belonging to ASSA ABLOY Entrance Systems AB or other companies controlled by the same organization.

©ASSA ABLOY Entrance Systems. All Rights Reserved. Part of ASSA ABLOY
1612 Hutton Drive, Suite 140 • Carrollton, TX 75006, USA • www.kelleydocksolutions.com



KSF-CHVLS-1124

E506041