



www.vortice-export.com



Version 1 Dec 2024

INLINE CENTRIFUGAL FAN

INDEX

I) CA100QMD

Product Specification	-----	2
Technical Data	-----	2
Performance Curve	-----	3
Octave Band Data	-----	3
Dimensions	-----	4
Wiring Diagram	-----	4

II) CA100MD

Product Specification	-----	5
Technical Data	-----	5
Performance Curve	-----	6
Octave Band Data	-----	6
Dimensions	-----	7
Wiring Diagram	-----	7

III) VORTICENT CMS 14/5 M2 0,25kW

Product Specification	-----	8
Technical Data	-----	8
Performance Curve	-----	9
Octave Band Data	-----	9
Dimensions	-----	10
Wiring Diagram	-----	10





CA100QMD Inline centrifugal fan

Suitable for residential, commercial and industrial applications: kitchens, bathrooms, offices, laboratories, factories, shops, laundries, restaurants, bars, theatres, etc...

PRODUCT SPECIFICATION

- 100 mm diameter.
- Pickled and phosphated steel structure.
- One speed.
- Backward curved centrifugal impeller.
- High efficient AC motor with shaft turning in ball bearings.
- Low noise emissions.
- Low specific consumption.
- Wide range of continuous operation temperatures between -25°C and +50° C.
- Mounting bracket made of galvanized steel included.
- Protection rating: IP44.
- Insulation class: II.

TECHNICAL DATA

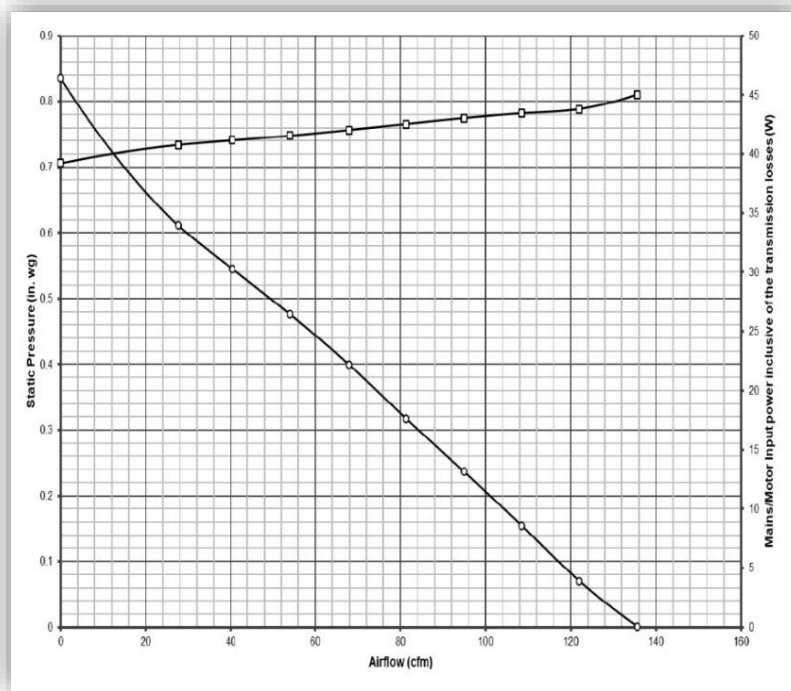
Model	Code	V 50 Hz	W	A	Max air flow		Max Pressure		Max °C	Kg
					CMH	LPS	mmH ₂ O	Pa		
CA100QMD	16003	230-240	43	0.19	220	61	24	235	50	2.97

AMCA CERTIFICATION

Beta Industrial LLC certifies that the CA100QMD – Inline Centrifugal Fan shown herein are licensed to bear the AMCA seal. The ratings shown are based on tests and procedures performed in accordance with AMCA Publication 211 and AMCA Publication 311 and comply with the requirements of the AMCA Certified Ratings Program.

The ratings shown are based on tests and procedures performed in accordance with AMCA Publication Test Method per ANSI/AMCA Standard 210-16, Figure 12 setup, Installation Type S & test Method per ANSI/ AMCA standard 300-14 Figure 2 Setup, Installation Type D.

PERFORMANCE CURVE

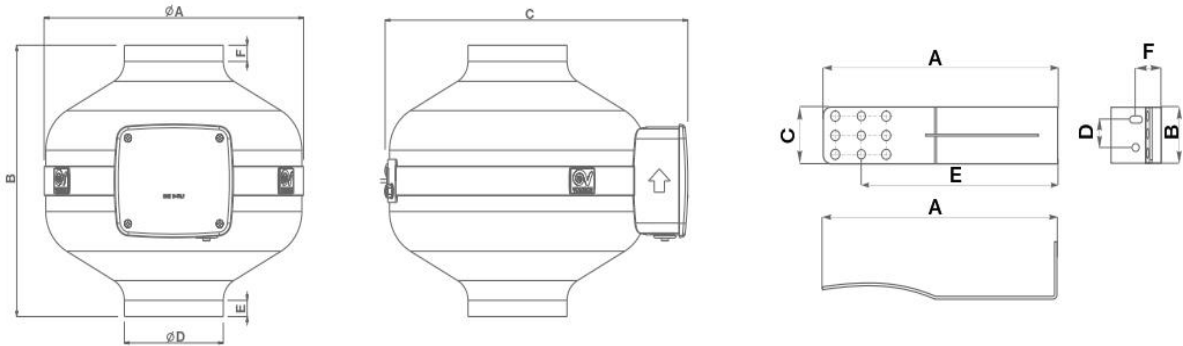


OCTAVCE BAND DATA

MODEL	Octave Band Frequency Lw (dB)							
	63 Hz	125 Hz	250 Hz	500 Hz	1 kHz	2 kHz	4 kHz	8 kHz
CA100QMD	81.2	62.8	54.8	56	46.6	41.4	36.8	39.8

*Performance certified is for Installation Type D: Ducted Inlet, Ducted Outlet

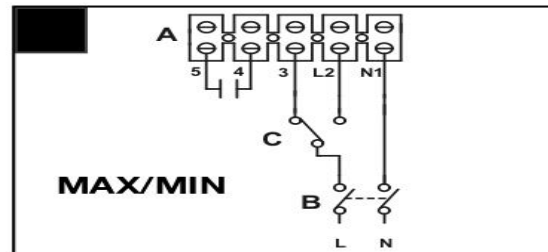
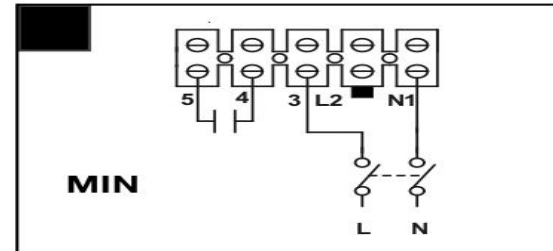
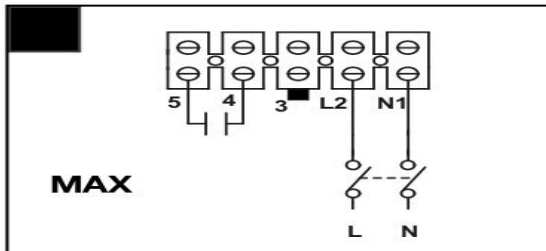
*The sound power level ratings shown are in decibels, referred to 10⁻¹² watts, calculated per AMCA International Standard 301." Ratings include the effects of duct end correction.

DIMENSIONS


Models	Code	Ø A	B	C	Ø D	E	F
CA 100 Q MD	16003	255	239	300	97	15	15

Models	A	B	C	D	E	F
Brackets	186	40	40	20	156	10

Dimensions (mm)

WIRING DIAGRAM




CA100MD

Inline centrifugal metal fan

Suitable for domestic, commercial and industrial applications: kitchens, bathrooms, Offices, laboratories, factories, stores, dry cleaners, shops, restaurants, bars, theaters, dance halls. Etc

PRODUCT SPECIFICATION

- Pickled and phosphated steel housing with polyester powder-coated finish, resistant to the aggressive action of atmospheric agents.
- Nominal diameter 100 mm.
- 2 speed AC motor with thermal overload cutout and shaft turning in ball bearings, coupled to backward curved impellers.
- Minimum air flow 220 m³/h Maximum air flow 340 m³/h.
- Operation controllable by remote sensors monitoring: Temperature, Relative Humidity, Smoke and Presence.
- Zinc-coated steel brackets for wall mounting.
- IMQ SAFETY and IMQ PERFORMANCE certifications.

TECHNICAL DATA

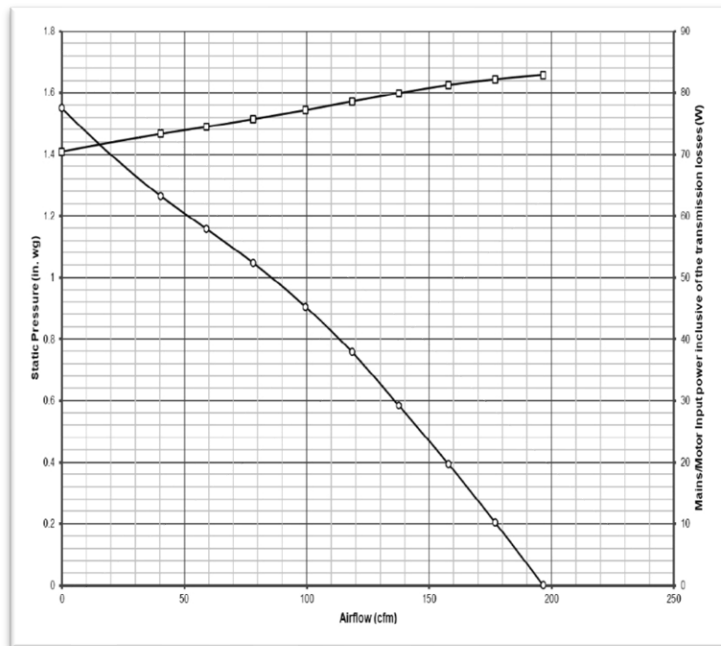
Model	Code	V 50 Hz	W	A	Max air flow		Max Pressure		Max °C	Kg
					CMH	LPS	mmH ₂ O	Pa		
CA100MD	16107	230-240	85	0.40	340	94	39	383	50	2.97

AMCA CERTIFICATION

Beta Industrial LLC certifies that the CA100MD – Inline Centrifugal Fan shown herein are licensed to bear the AMCA seal. The ratings shown are based on tests and procedures performed in accordance with AMCA Publication 211 and AMCA Publication 311 and comply with the requirements of the AMCA Certified Ratings Program.

The ratings shown are based on tests and procedures performed in accordance with AMCA Publication Test Method per ANSI/AMCA Standard 210-16, Figure 12 setup, Installation Type S & test Method per ANSI/ AMCA standard 300-14 Figure 2 Setup, Installation Type D.

PERFORMANCE CURVE



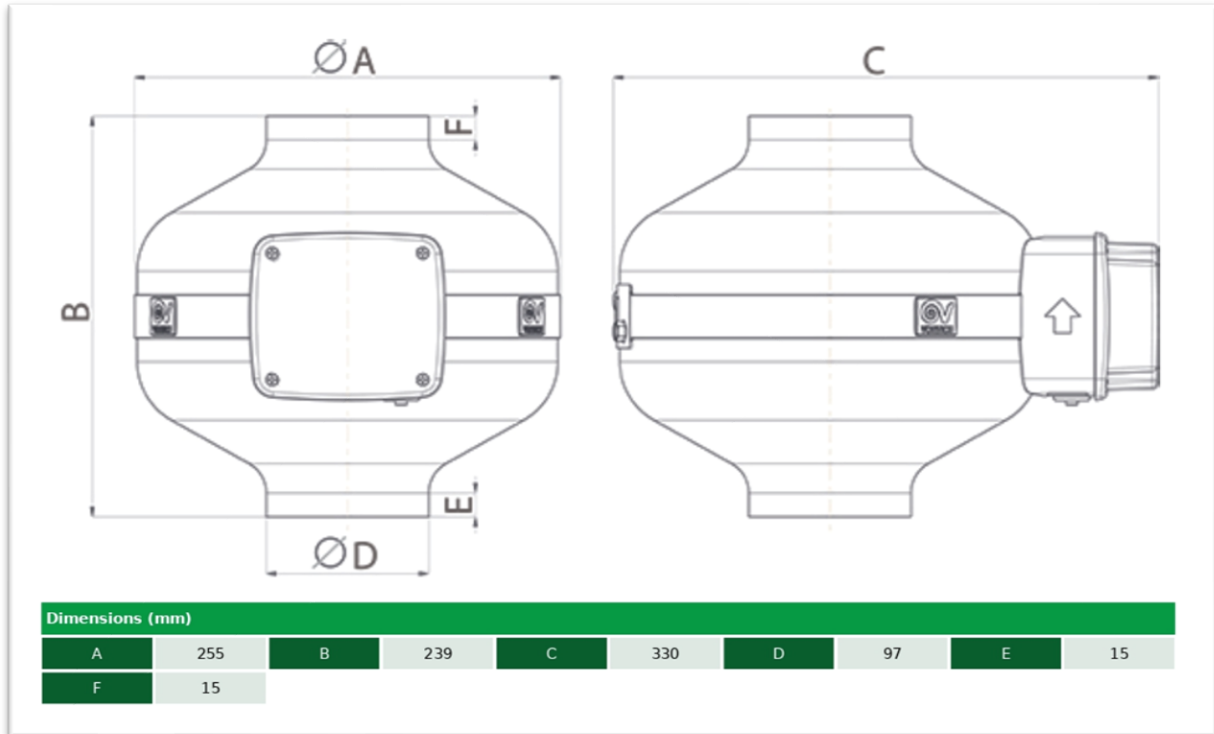
OCTAVE BAND DATA

MODEL	Octave Band Frequency Lw (dB)							
	63 Hz	125 Hz	250 Hz	500 Hz	1 kHz	2 kHz	4 kHz	8 kHz
CA100MD	81.3	75.2	63.7	65.5	58.5	53.7	51.5	44.8

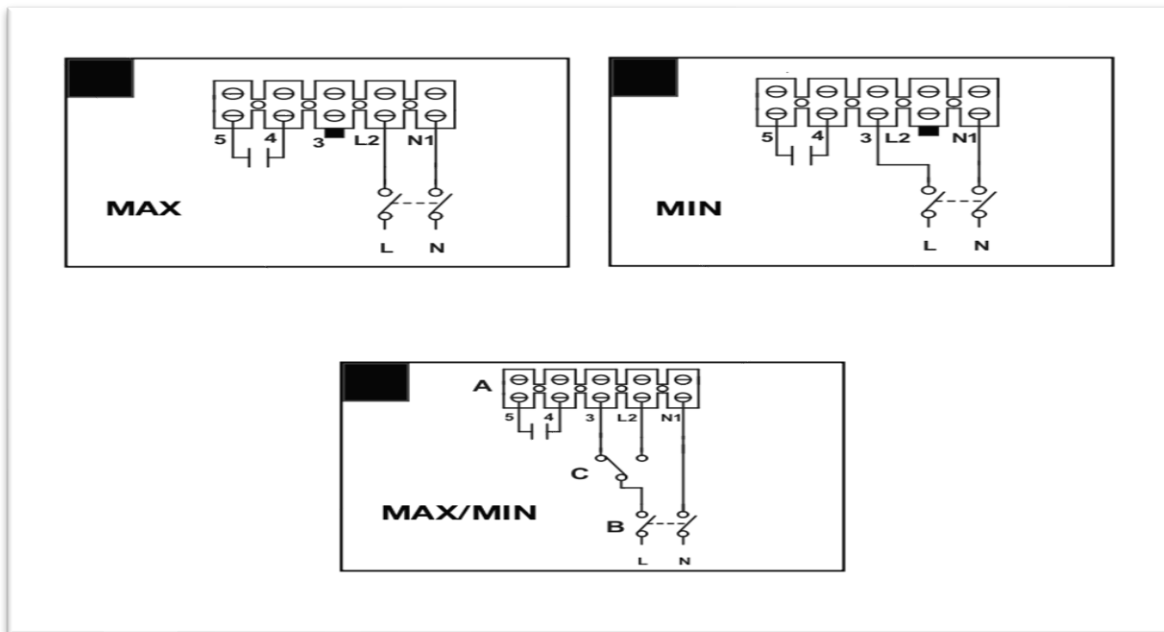
*Performance certified is for Installation Type D: Ducted Inlet, Ducted Outlet

*The sound power level ratings shown are in decibels, referred to 10⁻¹² watts, calculated per AMCA International Standard 301.7. Ratings include the effects of duct end correction.

DIMENSION



WIRING DIAGRAM





VORTICENT CMS 14/5 M2 0,25kW (30134)

Medium Pressure Centrifugal Fan with Forward Impeller

Suitable for Industrial applications, extraction or injection of air. Cooling of machines and parts. Suitable for transporting totally clean air without dust.

PRODUCT SPECIFICATION

- Rolling steel sheet housing.
- Completely joined or welded housing.
- Galvanised steel sheet simple inlet forward curved impeller.
- Polyester powder finishing coat.
- Standard asynchronous squirrel-cage motor with IP-55 protection and Class F insulation.
- Manufactured with standard voltages: 230V 50Hz in single phase motors and 230/400V 50Hz in three phase motors.
- Available positions (to be indicated in case of order): LG270, LG0, LG45, LG90, LG135, LG180, LG225, LG315, RD0, RD45, RD90, RD135, RD180, RD225, RD270, RD315.
- The indicated codes correspond to the model in position LG270.
- Maximum working temperature: carried air: 130°C

TECHNICAL DATA

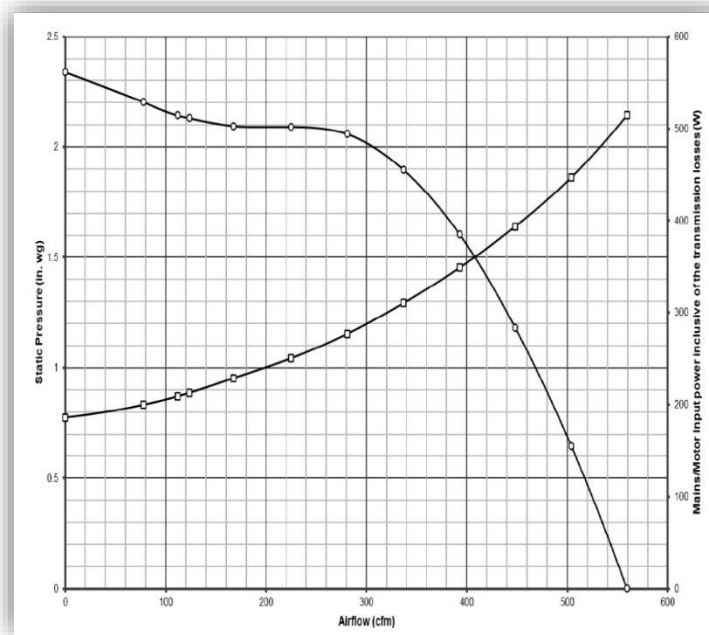
Model	Code	V 50 Hz	W	A	Max air flow		Max Pressure Pa	Max °C	Kg
					CMH	LPS			
VORTICENT CMS 14/5 M2 0,25kW	30134	230-240	250	1.77	839	233	545	50	7

AMCA CERTIFICATION

Beta Industrial LLC certifies that the CMS 14/5 M2 – Medium Pressure Centrifugal Fan shown herein are licensed to bear the AMCA seal. The ratings shown are based on tests and procedures performed in accordance with AMCA Publication 211 and AMCA Publication 311 and comply with the requirements of the AMCA Certified Ratings Program.

The ratings shown are based on tests and procedures performed in accordance with AMCA Publication Test Method per ANSI/AMCA Standard 210-16, Figure 12 setup, Installation Type S & test Method per ANSI/ AMCA standard 300-14 Figure 2 Setup, Installation Type D.

PERFORMANCE CURVE



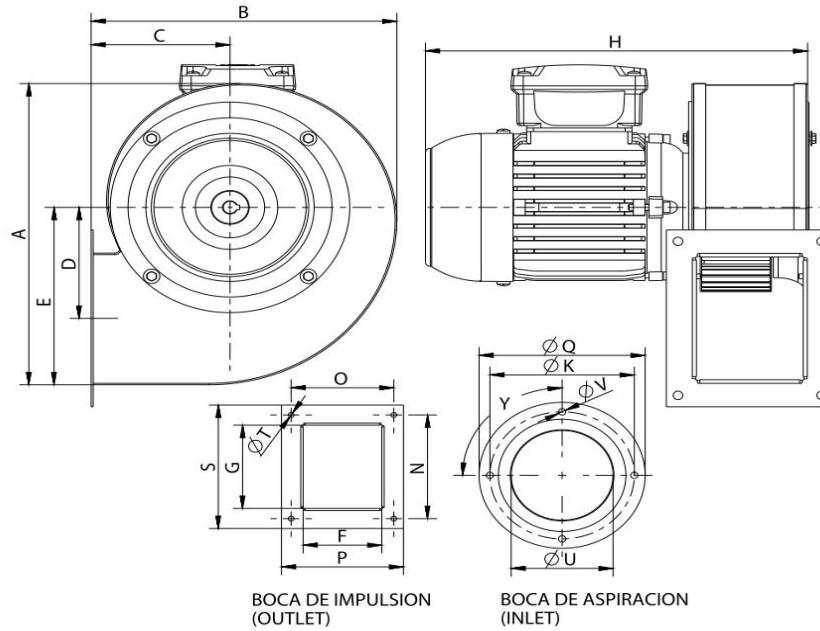
OCTAVE BAND DATA

MODEL	Octave Band Frequency Lw (dB)							
	63 Hz	125 Hz	250 Hz	500 Hz	1 kHz	2 kHz	4 kHz	8 kHz
VORTICENT CMS 14/5 M2 0,25kW	78.7	75.0	77.9	76.8	70.9	70.9	68.8	68.6

*Performance certified is for Installation Type D: Ducted Inlet, Ducted Outlet

*The sound power level ratings shown are in decibels, referred to 10⁻¹² watts, calculated per AMCA International Standard 301.” Ratings include the effects of duct end correction.

FAN DIMENSION



Dimensions (mm)									
A	250,5	B	223	C	102	D	93	E	147,5
F	78	G	102	H	278	K	162	N	128
O	105	P	122	Q	175	S	147	TØ	7
UØ	115	VØ	7	Y	4x90º				

WIRING DIAGRAM

