



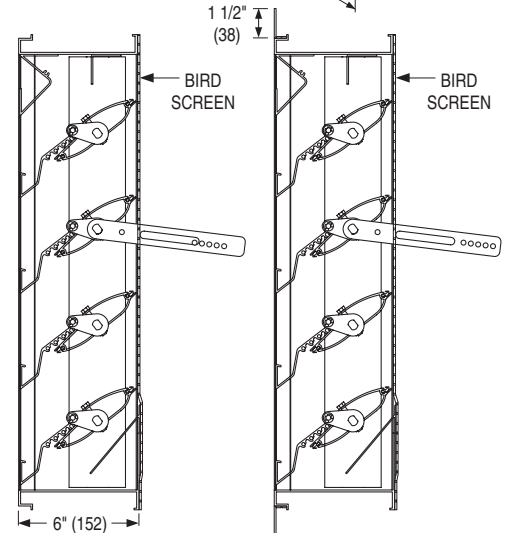
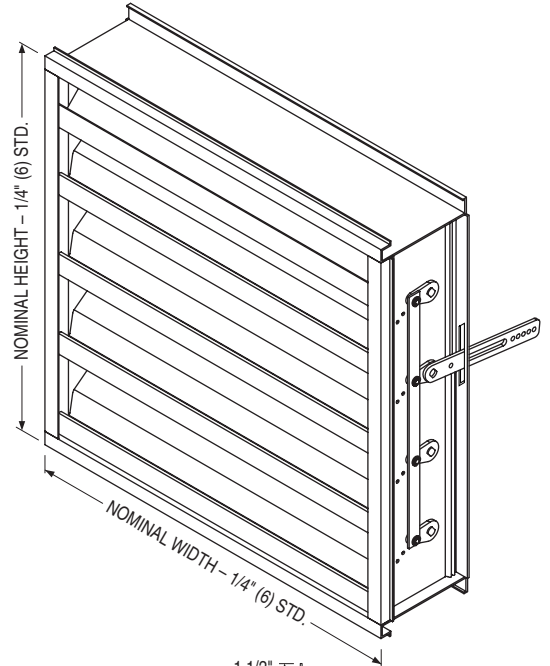
EXTRUDED ALUMINUM COMBINATION LOUVER/DAMPER
MIAMI-DADE QUALIFIED • FLORIDA PRODUCT APPROVED
HIGH VELOCITY WIND-DRIVEN RAIN AND IMPACT RESISTANT
6" (152) DEEP • DRAINABLE BLADE • OPERABLE AIRFOIL DAMPER
MODEL: 1606CM

QUALIFICATIONS:

- Miami-Dade County NOA No. 23-0823.04
- Florida Product Approval No. 41947.2.
- Tested in accordance with: TAS-101A (Wind-Driven Rain Test), TAS-201 (Large Missile Impact Test), TAS-202 (Uniform Static Air Pressure Test), TAS-203 (Cyclic Wind Pressure Loading Test).
- AMCA 500-L (Water Penetration, Air Performance).
- AMCA 540 (Wind-Borne Debris Impact Test [Basic "Level D" Protection]).
- AMCA 550 (High Velocity Wind-Driven Rain Resistance Test [with blades closed]).
- Wind load rating +/- 120 PSF.

STANDARD CONSTRUCTION:

- FRAME:** 6" (152) deep, Type 6063-T6 extruded aluminum, 0.120" (3.05) nominal wall thickness. Integral downspouts and caulking slot provided.
- BLADES:** Front Stationary Blades: Drainable style, Type 6063-T6 extruded aluminum, 0.080" (2.03) nominal wall thickness. Fixed at 37.5 degrees.
 Rear Operable Blades: Airfoil style, Type 6063-T6 extruded aluminum, 0.080" (2.03) nominal wall thickness.
- BLADE SPACING:** Approximately 4.84" (123) on centers.
- BLADE SEALS:** Santoprene. Mechanically locked in place.
- JAMB SEALS:** Cambered stainless steel.
- BEARINGS:** 1/2" (13) dia. Celcon®.
- AXLES:** 1/2" (13) dia. plated steel double bolted to blades.
- LINKAGE:** Concealed in frame.
- SCREEN:** 3/4" x .050 (19 x 1.3) expanded, flattened aluminum bird screen in removable frame, inside (rear) mount (adds approximately 3/8" [10] to louver depth).
- ACTUATOR:** Hand locking louver quadrant.
- FINISH:** Mill.
- MINIMUM SIZE:** 12" W x 16" H (305 x 406).
- MAX. SINGLE SECTION SIZE:** 60" W x 120" H (1524 x 3048). 50 sq. ft. (4.6 m²). Larger louvers will require field assembly of smaller sections.
- MAXIMUM SIZE:** Unlimited Width x 120" H (3048).



OPT. FLANGED FRAME (FL15 STD.)

OPTIONS:

- FL15** Flanged Frame, 1 1/2" (38).
- FL20** Flanged Frame, 2" (51).
- BSSS** Type 304 S.S. Bird Screen.
- BSN** No Bird Screen.
- ISA** Aluminum Insect Screen.
- ISSS** Type 304 S.S. Insect Screen.
- ESI** Extended Sill.
- PASI** Sill Pan.
- ACT** Electric Actuator. Specify: ____.
- Other: _____.

OPTIONAL FINISHES:

- PC3** Powder Coat AAMA 2603. Color: _____.
- PC4** High Performance Powder Coat AAMA 2604 (Equivalent to 50% Kynar®). Color: _____.
- PC5** Fluoropolymer Powder Coat AAMA 2605 (Equivalent to 70% Kynar®). Color: _____.
- PCC** Prime Coat.
- AN04** Clear Anodized 204-R1.
- AN15** Clear Anodized 215-R1.

- ANLB** Light Bronze.
- ANMB** Medium Bronze.
- ANDB** Dark Bronze.
- ANBK** Black.

SCHEDULE TYPE:

PROJECT:

ENGINEER:

CONTRACTOR:

Page 1 of 2
 Dimensions are in inches (mm).

DATE	B SERIES	SUPERSEDES	DRAWING NO.
10 - 22 - 24	1600M	2 - 16 - 24	1606CM

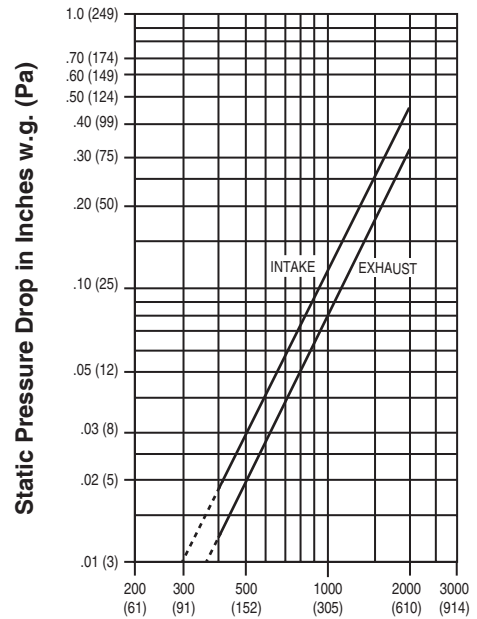


EXTRUDED ALUMINUM COMBINATION LOUVER/DAMPER
MIAMI-DADE QUALIFIED • FLORIDA PRODUCT APPROVED
HIGH VELOCITY WIND-DRIVEN RAIN AND IMPACT RESISTANT
6" (152) DEEP • DRAINABLE BLADE • OPERABLE AIRFOIL DAMPER
PERFORMANCE DATA
MODEL: 1606CM

FREE AREA in Square Feet and Square Meters

		Width in Inches and Meters								
		12	18	24	30	36	42	48	54	60
Height in Inches and Meters	12	0.19	0.30	0.41	0.53	0.64	0.76	0.87	0.98	1.10
	0.30	0.02	0.03	0.04	0.05	0.06	0.07	0.08	0.09	0.10
	18	0.37	0.60	0.83	1.06	1.28	1.51	1.74	1.97	2.20
	0.46	0.03	0.06	0.08	0.10	0.12	0.14	0.16	0.18	0.20
	24	0.85	1.36	1.88	2.40	2.91	3.43	3.94	4.46	4.98
	0.61	0.08	0.13	0.17	0.22	0.27	0.32	0.37	0.41	0.46
	30	1.03	1.66	2.29	2.92	3.55	4.18	4.81	5.44	6.07
	0.76	0.10	0.15	0.21	0.27	0.33	0.39	0.45	0.51	0.56
	36	1.22	1.96	2.71	3.45	4.20	4.94	5.68	6.43	7.17
	0.36	0.11	0.18	0.25	0.32	0.39	0.46	0.53	0.60	0.67
	42	1.41	2.26	3.12	3.98	4.84	5.70	6.55	7.41	8.27
	1.07	0.13	0.21	0.29	0.37	0.45	0.53	0.61	0.69	0.77
	48	1.59	2.56	3.53	4.50	5.47	6.44	7.40	8.38	9.35
	1.22	0.15	0.24	0.33	0.42	0.51	0.60	0.69	0.78	0.87
	54	1.94	3.12	4.30	5.49	6.67	7.85	9.04	10.22	11.40
	1.37	0.18	0.29	0.40	0.51	0.62	0.73	0.84	0.95	1.06
	60	2.15	3.47	4.78	6.09	7.41	8.72	10.03	11.35	12.66
	1.52	0.20	0.32	0.44	0.57	0.69	0.81	0.93	1.05	1.18
	66	2.34	3.77	5.19	6.62	8.05	9.48	10.90	12.33	13.76
	1.68	0.22	0.35	0.48	0.62	0.75	0.88	1.01	1.15	1.28
72	2.53	4.07	5.61	7.15	8.69	10.23	11.77	13.32	14.86	
1.83	0.23	0.38	0.52	0.66	0.81	0.95	1.09	1.24	1.38	
78	2.90	4.67	6.44	8.21	9.98	11.75	13.51	15.28	17.05	
1.98	0.27	0.43	0.60	0.76	0.93	1.09	1.26	1.42	1.58	
84	3.09	4.97	6.85	8.74	10.62	12.50	14.38	16.27	18.15	
2.13	0.29	0.46	0.64	0.81	0.99	1.16	1.34	1.51	1.69	
90	3.27	5.27	7.27	9.26	11.26	13.26	15.25	17.25	19.25	
2.29	0.30	0.49	0.68	0.86	1.05	1.23	1.42	1.60	1.79	
96	3.46	5.57	7.68	9.79	11.90	14.01	16.12	18.23	20.34	
2.44	0.32	0.52	0.71	0.91	1.11	1.30	1.50	1.69	1.89	
102	3.65	5.87	8.10	10.32	12.54	14.77	16.99	19.22	21.44	
2.59	0.34	0.55	0.75	0.96	1.17	1.37	1.58	1.79	1.99	
108	4.02	6.47	8.93	11.38	13.83	16.28	18.73	21.19	23.64	
2.74	0.37	0.60	0.83	1.06	1.28	1.51	1.74	1.97	2.20	
114	4.21	6.77	9.34	11.91	14.47	17.04	19.60	22.17	24.74	
2.90	0.39	0.63	0.87	1.11	1.34	1.58	1.82	2.06	2.30	
120	4.39	7.07	9.75	12.43	15.11	17.79	20.47	23.15	25.83	
3.05	0.41	0.66	0.91	1.16	1.40	1.65	1.90	2.15	2.40	

PRESSURE DROP



Air Velocity in Feet (Meters) Per Minute Through Free Area

Louver test size: 48" x 48" (1219 x 1219 mm).
 Standard air density @ 0.075 lbs/ft³.
 Tested to AMCA Fig. 5.5 – 6.5.



Nailor Industries Inc. certifies that the Model 1606CM shown herein is licensed to bear the AMCA Certified Ratings Program seal. The ratings shown are based on tests and procedures performed in accordance with AMCA Publication 511 and comply with the requirements of the AMCA Certified Ratings Program. The AMCA Certified Ratings Program Seal applies to Air Performance and Water Penetration performance ratings. Louvers were tested in accordance with AMCA Standard 500-L.

AIRFLOW/WATER PENETRATION DATA for 48" x 48" (1219 x 1219) Louver Size

Free Area %	46 %
Free Area sq. ft. (sq. m.)	7.40 (0.69)
Free Area Velocity at Point of Beginning Water Penetration at .01 oz./sq. ft. (3 ml/sq. m) (15 min. test duration)	1178 fpm (359 m/min.)
Air Volume at 1178 fpm Free Area Velocity	8717 cfm (4114 l/s)
Pressure Drop @ 1178 fpm	0.16 in. w.g. (40 Pa)



HIGH VELOCITY RAIN RESISTANT WITH BLADES FULLY CLOSED AND IMPACT RESISTANT LOUVER
Basic Protection Level D
 See www.AMCA.org for all certified or listed products

This label does not signify AMCA airflow performance certification.

Nailor Industries Inc. certifies that the 1606CM shown herein is approved to bear the AMCA International Listing Label. The ratings shown are based on tests and procedures performed in accordance with AMCA publications and comply with the requirements of the AMCA International Listing Label program. The AMCA International Listing Label applies to pressure cycle tested Wind Borne Debris impact resistant louvers rated for Basic Protection and +/- 120PSF with a minimum blade span of less than 12 in. (305mm) and a maximum unsupported blade span of 58 in. (1473 mm) and to High Velocity Wind-Driven Rain Resistant Louvers tested in the fully closed position that stops airflow through a louver.

SCHEDULE TYPE:				
PROJECT:				
ENGINEER:	DATE	B SERIES	SUPERSEDES	DRAWING NO.
CONTRACTOR:	10 - 22 - 24	1600M	2 - 16 - 24	1606CM