



## Technical Features



- Casing: Black forge (standard)
- Panels: Anodized aluminium (standard)
- Panels: Stainless Steel (optional)
- Other colors on request



Range  
Up to 4.2 m



Airflow / Length  
2025 - 5930 m<sup>3</sup>/h  
1 m to 2.5 m



Fans  
Centrifugal  
5-speed



Heating types  
E : electrical 3 stages  
P : water  
A : unheated



Heating capacity  
E : 2.5 - 30.5 kW  
P : 8.86 - 33.63 kW



Control  
Plug&Play manual regulator  
+ IR remote control



Casing  
Galvanised Steel [\*]



Grille type  
Micro-perforated  
with prefilter function



Outlet lamellas  
Aluminium, airfoil type  
Adjustable 0-15° each side

[\*] Customizable dimensions on request

Decorative, minimalist and elegant, ZEN air curtain is it the favorite for architects and designers to include in their projects. Its smart design and high performance is perfect to blend with any building's internal or external aesthetics. Apart from seamlessly integrating into any space, ZEN can become an active part of the decor and ambience of the premises offering more features than a standard air curtain.

ZEN air curtain offers infinite possibilities of customization. Central casing made of galvanized steel finished in black forge as standard. Front anodized aluminium panels, optionally manufactured in brushed or mirror polished stainless steel. Other materials are possible, such as wood, metal, etc.

Other colours are available on request. Special finishes with other materials such as aged metal, wood, glass, PVC / PES, logos, signage, graphics, lights, clocks, vinyl or slogans.

This air curtain model works with double-inlet centrifugal fans driven by an external rotor motor with low noise level. EC models assembled with very low consumption efficiency fans.

Includes Plug&Play control with 7 m RJ45 cable, infrared remote control and magnetic door contact. For electrical heated models also includes thermostat.

## Certifications

(1) AMCA Certified:



Energy Codes ASHRAE 90.1-2019, IECC 2018, and ASHRAE 189.1 vestibule exception validated by AMCA certification. Refer to Velocity Projection Chart below for information.

Airtècnics certifies that the air curtains shown here in are licensed to bear the AMCA Seal. The ratings shown are based on tests and procedures performed in accordance with AMCA Publication 211 and comply with the requirements of the AMCA Certified Ratings Program. Rated data shown is for base (unheated) units. The AMCA Certified Ratings Seal applies to airflow rate, average outlet velocity, outlet velocity uniformity, velocity projection and power rating at free delivery only.



AMCA Certified VELOCITY PROJECTION: Model Zen ECG 1000A-240V 60Hz				
Distance from Nozzle (mm)	1000	2000	3000	4000
Core Velocity (m/s)	6.05	4.65	3.87	3.39
Uniformity (%)	88	92	98	97

0	Core Velocity	Uniformity
1000	6.05m/s	88%
2000	4.65m/s	92%
3000	3.87m/s	98%
4000	3.39m/s	97%

CSA Certified:





UNHEATED 208V-1ph~60Hz

Model	Airflow	Ventilation power 208V-1ph~60Hz	Ventilation current 208V-1ph~60Hz	Outlet Uniformity	Outlet maximum velocity	Outlet average velocity	Noise level (5 m)	Weight
	m <sup>3</sup> /h	kW	A	%	m/s	m/s	dB(A)	
ZEN G 1000 A	2100	0.357	1.70	-	-	-	56	36
ZEN G 1500 A	2800	0.476	2.27	-	-	-	57	50
ZEN G 2000 A	4200	0.714	3.41	-	-	-	58	69
ZEN G 2500 A	4900	0.833	3.97	-	-	-	59	83
ZEN ECG 1000 A	2380	0.374	2.84	-	-	-	60	36
ZEN ECG 1500 A	3195	0.494	3.78	-	-	-	61	50
ZEN ECG 2000 A	4760	0.748	5.68	-	-	-	62	69
ZEN ECG 2500 A	5575	0.868	6.62	-	-	-	63	83

UNHEATED 240V-1ph~60Hz

Model	Airflow	Ventilation power 240V-1ph~60Hz	Ventilation current 240V-1ph~60Hz	Outlet Uniformity	Outlet maximum velocity	Outlet average velocity	Noise level (5 m)	Weight
	m <sup>3</sup> /h	kW	A	%	m/s	m/s	dB(A)	
ZEN G 1000 A	2235	0.439	1.80	-	-	-	57	36
ZEN G 1500 A	2980	0.585	2.40	-	-	-	58	50
ZEN G 2000 A	4470	0.878	3.60	-	-	-	59	69
ZEN G 2500 A	5215	1.024	4.20	-	-	-	60	83
ZEN ECG 1000 A (1)	2530	0.460	3.00	80	17.99	14.03	61	36
ZEN ECG 1500 A (1)	3400	0.607	4.00	72	17.55	13.86	62	50
ZEN ECG 2000 A (1)	5060	0.920	6.00	80	17.99	14.03	63	69
ZEN ECG 2500 A (1)	5930	1.067	7.00	75	17.72	13.93	64	83

ELECTRIC HEATED 208V-1ph~60Hz

Model	Airflow	Electrical heating capacity (2)	Electrical heating capacity (2)	Electrical heating capacity (2)	Electrical heating capacity (2)	Ventilation power 208V-1ph~60Hz	Ventilation current 208V-1ph~60Hz	Noise level (5 m)	Weight
		208V-3ph~60Hz	460V-3ph~60Hz	480V-3ph~60Hz	575V-3ph~60Hz				
	m <sup>3</sup> /h	kW	kW	kW	kW	kW	A	dB(A)	kg
ZEN G 1000 E	2070	2.5/5/7.5	2.5/5/7.5	3/5.5/8.5	3.5/4/7.5	0.357	1.70	56	43
ZEN G 1500 E	2760	3.5/6.5/10	3.5/7/10.5	4/7.5/11.5	5/5.5/10.5	0.476	2.27	57	62
ZEN G 2000 E	4140	5/9/14	5/10.5/15.5	5.5/11/16.5	6.5/8/14.5	0.714	3.41	58	85
ZEN G 2500 E	4830	5.5/9/14.5	6/12/18	6.5/13/19.5	8/9.5/17.5	0.833	3.97	59	103
ZEN ECG 1000 E	2340	4/8/12	4/8/12	4.3/8.7/13	4/8/12	0.374	2.838	60	43
ZEN ECG 1500 E	3140	6/9.5/15.5	5.5/10.5/16	5.8/11.7/17.5	5.5/11/16.5	0.494	3.784	61	62
ZEN ECG 2000 E	4680	5/9/14	8/16.5/24.5	8.8/17.7/26.5	8/16/24	0.748	5.676	62	85
ZEN ECG 2500 E	5480	5.5/9/14.5	9.5/18.5/28	10.2/20.3/30.5	9.5/19/28.5	0.868	6.622	63	103

(2) Under request other electrical heating power can be limited.

For 208V~3ph~60Hz air Curtains there is only needed to connect three-phase power supply.  
For the rest of air curtains, there is needed to connect both three-phase (for electrical heating) and single phase (for fans).



**ELECTRIC HEATED 240V-1ph~60Hz**

Model	Airflow m3/h	Electrical heating capacity (²)	Electrical heating capacity (²)	Electrical heating capacity (²)	Electrical heating capacity (²)	Ventilation power 240V-1ph~60Hz	Ventilation current 240V-1ph~60Hz	Noise level (5 m) dB(A)	Weight kg
		208V-3ph~60Hz kW	460V-3ph~60Hz kW	480V-3ph~60Hz kW	575V-3ph~60Hz kW	kW	A		
ZEN G 1000 E	2205	4/8/12	4/8/12	4.3/8.7/13	4/8/12	0,439	1.80	57	43
ZEN G 1500 E	2940	6/9.5/15.5	5.3/10.7/16	5.8/11.7/17.5	5,5/11/16,5	0,585	2.40	58	62
ZEN G 2000 E	4410	5/9/14	8.2/16.3/24.5	8.8/17.7/26.5	8/16/24	0,878	3.60	59	85
ZEN G 2500 E	5145	5.5/9/14.5	9.3/18.7/28	10.2/20.3/30.5	9.5/19/28.5	1,024	4.20	60	103
ZEN ECG 1000 E (¹)	2490	4/8/12	4/8/12	4.3/8.7/13	4/8/12	0.460	3.00	61	43
ZEN ECG 1500 E (¹)	3340	6/9.5/15.5	5.3/10.7/16	5.8/11.7/17.5	5.5/11/16.5	0.607	4.00	62	62
ZEN ECG 2000 E (¹)	4980	5/9/14	8.2/16.3/24.5	8.8/17.7/26.5	8/16/24	0.920	6.00	63	85
ZEN ECG 2500 E (¹)	5830	5.5/9/14.5	9.3/18.7/28	10.2/20.3/30.5	9.5/19/28.5	1.067	7.00	64	103

(²) Under request other electrical heating power can be limited.

**WATER HEATED 208V-1ph~60Hz**

Model	Airflow m3/h	P86 (80/60°C)		P64 (60/40°C)		P54 (50/40°C)		Ventilation power 208-1ph~60Hz kW	Ventilation current 208-1ph~60Hz A	Noise level (5 m) dB(A)	Weight kg
		Water heating capacity kW	Water pressure drop Pa	Water heating capacity kW	Water pressure drop Pa	Water heating capacity kW	Water pressure drop Pa				
ZEN G 1000 P	2025	9.89	1010	8.83	5040	8.86	1430	0.357	1.70	56	40
ZEN G 1500 P	2700	14.3	770	13.08	6490	13.7	4510	0.476	2.27	57	57
ZEN G 2000 P	4050	22.29	2210	18.86	5530	19.4	2410	0.714	3.41	58	78
ZEN G 2500 P	4725	27.84	4040	22.48	4100	24.07	4330	0.833	3.97	59	95
ZEN ECG 1000 P	2290	11.89	1400	10.73	7110	10.95	2090	0.374	2.84	60	40
ZEN ECG 1500 P	3080	17.29	1070	15.97	9240	17.02	6630	0.494	3.78	61	57
ZEN ECG 2000 P	4580	26.87	3080	22.99	7850	24.05	3530	0.748	5.68	62	78
ZEN ECG 2500 P	5370	33.64	5650	27.48	5840	29.9	6370	0.868	6.62	63	95

Water heated: connection pipes P86 and P64 are 2x3/4" female (male if lateral pipes), P54 2x1" male.  
P86 2 rows coil, P64 3 rows coil, P54 4 rows coil.

**WATER HEATED 240V-1ph~60Hz**

Model	Airflow m3/h	P86 (80/60°C)		P64 (60/40°C)		P54 (50/40°C)		Ventilation power 240-1ph~60Hz kW	Ventilation current 240-1ph~60Hz A	Noise level (5 m) dB(A)	Weight kg
		Water heating capacity kW	Water pressure drop Pa	Water heating capacity kW	Water pressure drop Pa	Water heating capacity kW	Water pressure drop Pa				
ZEN G 1000 P	2145	11.04	1230	9.92	6190	10.06	1800	0.439	1.80	57	40
ZEN G 1500 P	2860	16.02	940	14.74	8020	15.60	5680	0.585	2.40	58	57
ZEN G 2000 P	4290	24.92	2700	21.23	6820	22.06	3030	0.878	3.60	59	78
ZEN G 2500 P	5005	31.17	4640	25.35	5070	27.40	5450	1.024	4.20	60	95
ZEN ECG 1000 P (¹)	2440	11.89	1400	11.27	7110	11.50	2090	0.460	3.00	61	40
ZEN ECG 1500 P (¹)	3280	17.29	1070	16.77	9240	17.86	6620	0.607	4.00	62	57
ZEN ECG 2000 P (¹)	4880	26.86	3080	24.14	7850	25.24	3530	0.920	6.00	63	78
ZEN ECG 2500 P (¹)	5720	33.63	5650	28.84	5840	31.38	6360	1.067	7.00	64	95

Water heated: connection pipes P86 and P64 are 2x3/4" female (male if lateral pipes), P54 2x1" male.  
P86 2 rows coil, P64 3 rows coil, P54 4 rows coil.

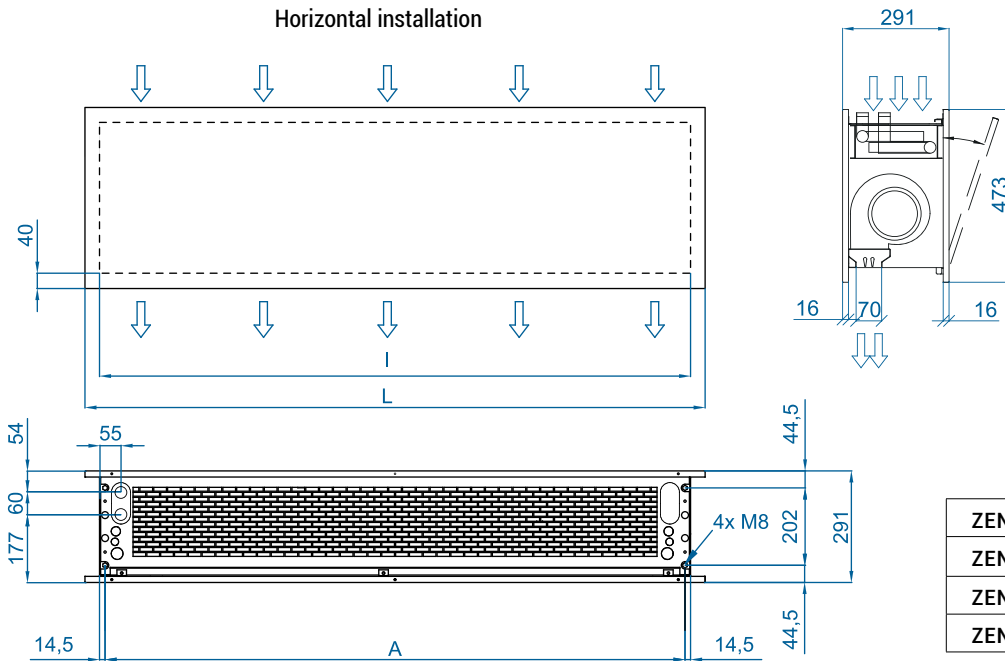


Selection program



## Dimensions

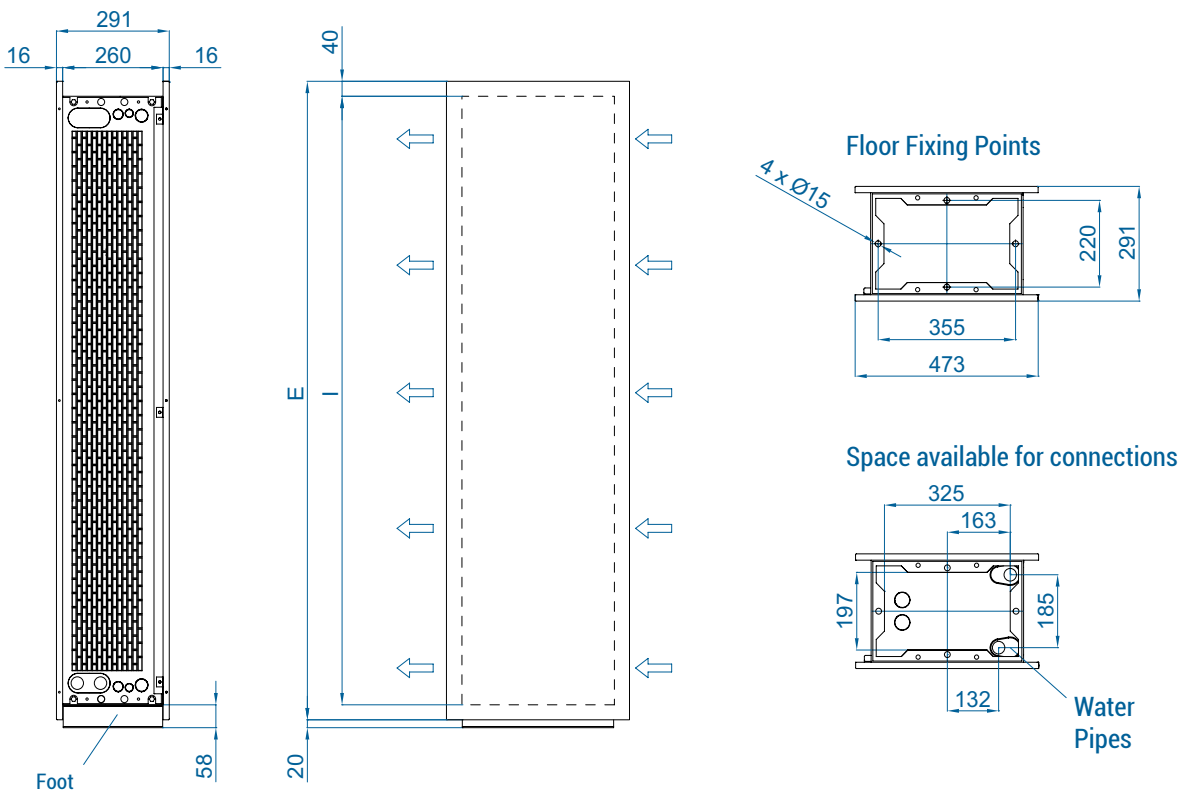
Horizontal installation



	L	I	A
ZEN 1000	1220	1140	1115
ZEN 1500	1620	1544	1515
ZEN 2000	2120	2044	2015
ZEN 2500	2620	2544	2515

Customizable dimensions on request.

Vertical installation



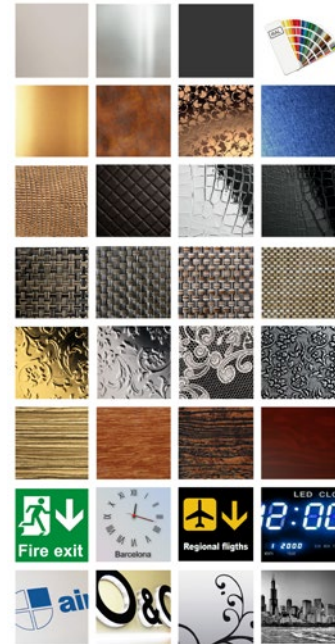
CAD drawings, installation manuals  
and other documentation





## Finishes

The front panel is designed to include graphics, logos, illuminated signs, signage, clocks or any other decorative element desired by the customer. Available in any colour from the RAL chart or in stainless steel.



standard /  
painted

decorative  
metals

crocco /  
leather

screen

vintage /  
floral

wood

signage

logos /  
images



**WATCH VIDEO**

## Optional accessories

### Supports and installation



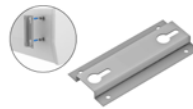
Wall rail support  
SPWR



Silentblock supports  
SPANG-SIL / SLB



Suspension cables  
SPCT



Omega wall support  
SPT4



Wall angle support  
Zen MG



Kit junction  
SPJ-ZEN  
middle and top



Support 180° Zen  
straight arm



Foot support  
SPF-ZEN  
(Galv. / SS)

### Control



IR Control  
✓ Included



Basic Control  
✓ Included



RJ45 Cable  
✓ Included



Hand-Auto  
CH-5HW-NE



Interface kit  
IN-NE-II

### Sensors



Magnetic door contact  
MAG-DC  
✓ Included



Mechanical door contact  
MEG-DC