



Technical Features



- Casing:
Black forge
(standard)
- Panels:
Anodized
aluminium
(standard)
- Panels:
Stainless
Steel
(optional)
- Other colors
on request



Range
Up to 13.8 ft



Heating types
E : electrical 3 stages
P : water
A : unheated



Casing
Galvanised Steel [*]



Airflow / Length
1200 - 3500 cfm
3.2 ft to 10.5 ft



Heating capacity
E : 2.5 - 30.5 kW
P : 30.23 - 114.75
kBtu/h



Grille type
Micro-perforated
with prefilter function



Fans
Centrifugal
5-speed



Control
Plug&Play manual regulator
+ IR remote control



Outlet lamellas
Aluminium, airfoil type
Adjustable 0-15° each side

[*] Customizable dimensions on request

Decorative, minimalist and elegant, ZEN air curtain is it the favorite for architects and designers to include in their projects. Its smart design and high performance is perfect to blend with any building's internal or external aesthetics. Apart from seamlessly integrating into any space, ZEN can become an active part of the decor and ambience of the premises offering more features than a standard air curtain.

ZEN air curtain offers infinite possibilities of customization. Central casing made of galvanized steel finished in black forge as standard. Front anodized aluminium panels, optionally manufactured in brushed or mirror polished stainless steel. Other materials are possible, such as wood, metal, etc.

Other colours are available on request. Special finishes with other materials such as aged metal, wood, glass, PVC / PES, logos, signage, graphics, lights, clocks, vinyl or slogans.

This air curtain model works with double-inlet centrifugal fans driven by an external rotor motor with low noise level. EC models assembled with very low consumption efficiency fans.

Includes Plug&Play control with 23 ft RJ45 cable, infrared remote control and magnetic door contact. For electrical heated models also includes thermostat.

Certifications

(1) AMCA Certified:



Energy Codes ASHRAE 90.1-2019, IECC 2018, and ASHRAE 189.1 vestibule exception validated by AMCA certification. Refer to Velocity Projection Chart below for information.

Airtècnics certifies that the air curtains shown here in are licensed to bear the AMCA Seal. The ratings shown are based on tests and procedures performed in accordance with AMCA Publication 211 and comply with the requirements of the AMCA Certified Ratings Program. Rated data shown is for base (unheated) units. The AMCA Certified Ratings Seal applies to airflow rate, average outlet velocity, outlet velocity uniformity, velocity projection and power rating at free delivery only.



AMCA Certified VELOCITY PROJECTION: Model Zen ECG 1000A-240V 60Hz				
Distance from Nozzle (in)	40	80	120	160
Core Velocity (fpm)	1191	915	762	667
Uniformity (%)	88	92	98	97

Distance (in)	Core Velocity	Uniformity
0		
40	1191fpm	88%
80	915fpm	92%
120	762fpm	98%
160	667fpm	97%

CSA Certified:





UNHEATED 208V-1ph~60Hz

Model	Airflow	Ventilation power 208V-1ph~60Hz	Ventilation current 208V-1ph~60Hz	Outlet Uniformity	Outlet maximum velocity	Outlet average velocity	Noise level (5 m)	Weight
	cfm	kW	A	%	fpm	fpm	dB(A)	
ZEN G 1000 A	1250	0.357	1.70	-	-	-	56	80
ZEN G 1500 A	1650	0.476	2.27	-	-	-	57	110
ZEN G 2000 A	2500	0.714	3.41	-	-	-	58	152
ZEN G 2500 A	2900	0.833	3.97	-	-	-	59	183
ZEN ECG 1000 A	1400	0.374	2.84	-	-	-	60	80
ZEN ECG 1500 A	1900	0.494	3.78	-	-	-	61	110
ZEN ECG 2000 A	2800	0.748	5.68	-	-	-	62	152
ZEN ECG 2500 A	3300	0.868	6.62	-	-	-	63	183

UNHEATED 240V-1ph~60Hz

Model	Airflow	Ventilation power 240V-1ph~60Hz	Ventilation current 240V-1ph~60Hz	Outlet Uniformity	Outlet maximum velocity	Outlet average velocity	Noise level (5 m)	Weight
	cfm	kW	A	%	fpm	fpm	dB(A)	
ZEN G 1000 A	1320	0.439	1.80	-	-	-	57	80
ZEN G 1500 A	1760	0.585	2.40	-	-	-	58	110
ZEN G 2000 A	2630	0.878	3.60	-	-	-	59	152
ZEN G 2500 A	3070	1.024	4.20	-	-	-	60	183
ZEN ECG 1000 A ⁽¹⁾	1500	0.460	3.00	80	3541	2762	61	80
ZEN ECG 1500 A ⁽¹⁾	2000	0.607	4.00	72	3455	2728	62	110
ZEN ECG 2000 A ⁽¹⁾	2980	0.920	6.00	80	3541	2762	63	152
ZEN ECG 2500 A ⁽¹⁾	3490	1.067	7.00	75	3488	2742	64	183

ELECTRIC HEATED 208V-1ph~60Hz

Model	Airflow	Electrical heating capacity ⁽²⁾ 208V-3ph~60Hz	Electrical heating capacity ⁽²⁾ 460V-3ph~60Hz	Electrical heating capacity ⁽²⁾ 480V-3ph~60Hz	Electrical heating capacity ⁽²⁾ 575V-3ph~60Hz	Ventilation power 208V-1ph~60Hz	Ventilation current 208V-1ph~60Hz	Noise level (5 m)	Weight
		kW	kW	kW	kW	kW	A	dB(A)	
ZEN G 1000 E	1220	2.5/5/7.5	2.5/5/7.5	3/5.5/8.5	3.5/4/7.5	0.357	1.70	56	95
ZEN G 1500 E	1630	3.5/6.5/10	3.5/7/10.5	4/7.5/11.5	5/5.5/10.5	0.476	2.27	57	137
ZEN G 2000 E	2440	5/9/14	5/10.5/15.5	5.5/11/16.5	6.5/8/14.5	0.714	3.41	58	188
ZEN G 2500 E	2850	5.5/9/14.5	6/12/18	6.5/13/19.5	8/9.5/17.5	0.833	3.97	59	227
ZEN ECG 1000 E	1380	4/8/12	4/8/12	4.3/8.7/13	4/8/12	0.374	2.838	60	95
ZEN ECG 1500 E	1850	6/9.5/15.5	5.5/10.5/16	5.8/11.7/17.5	5.5/11/16.5	0.494	3.784	61	137
ZEN ECG 2000 E	2760	5/9/14	8/16.5/24.5	8.8/17.7/26.5	8/16/24	0.748	5.676	62	188
ZEN ECG 2500 E	3230	5.5/9/14.5	9.5/18.5/28	10.2/20.3/30.5	9.5/19/28.5	0.868	6.622	63	227

⁽²⁾ Under request other electrical heating power can be limited.

For 208V~3ph~60Hz air Curtains there is only needed to connect three-phase power supply.
For the rest of air curtains, there is needed to connect both three-phase (for electrical heating) and single phase (for fans).



ELECTRIC HEATED 240V-1ph~60Hz

Model	Airflow cfm	Electrical heating capacity (²)	Electrical heating capacity (²)	Electrical heating capacity (²)	Electrical heating capacity (²)	Ventilation power 240V-1ph~60Hz	Ventilation current 240V-1ph~60Hz	Noise level (5 m) dB(A)	Weight lb
		208V-3ph~60Hz kW	460V-3ph~60Hz kW	480V-3ph~60Hz kW	575V-3ph~60Hz kW	kW	A		
ZEN G 1000 E	1300	4/8/12	4/8/12	4.3/8.7/13	4/8/12	0,439	1.80	57	95
ZEN G 1500 E	1730	6/9.5/15.5	5.3/10.7/16	5.8/11.7/17.5	5.5/11/16.5	0,585	2.40	58	137
ZEN G 2000 E	2600	5/9/14	8.2/16.3/24.5	8.8/17.7/26.5	8/16/24	0,878	3.60	59	188
ZEN G 2500 E	3030	5.5/9/14.5	9.3/18.7/28	10.2/20.3/30.5	9.5/19/28.5	1,024	4.20	60	227
ZEN ECG 1000 E (¹)	1470	4/8/12	4/8/12	4.3/8.7/13	4/8/12	0.460	3.00	61	95
ZEN ECG 1500 E (¹)	2000	6/9.5/15.5	5.3/10.7/16	5.8/11.7/17.5	5.5/11/16.5	0.607	4.00	62	137
ZEN ECG 2000 E (¹)	2935	5/9/14	8.2/16.3/24.5	8.8/17.7/26.5	8/16/24	0.920	6.00	63	188
ZEN ECG 2500 E (¹)	3435	5.5/9/14.5	9.3/18.7/28	10.2/20.3/30.5	9.5/19/28.5	1.067	7.00	64	227

(²) Under request other electrical heating power can be limited.

WATER HEATED 208V-1ph~60Hz

Model	Airflow cfm	P86 (80/60°C)		P64 (60/40°C)		P54 (50/40°C)		Ventilation power 208-1ph~60Hz	Ventilation current 208-1ph~60Hz	Noise level (5 m) dB(A)	Weight lb
		Water heating capacity kBtu/h	Water pressure drop psi	Water heating capacity kBtu/h	Water pressure drop psi	Water heating capacity kBtu/h	Water pressure drop psi	kW	A		
ZEN G 1000 P	1200	33.75	0.15	30.13	0.73	30.23	0.21	0.357	1.70	56	88
ZEN G 1500 P	1600	48.79	0.11	44.63	0.94	46.75	0.65	0.476	2.27	57	126
ZEN G 2000 P	2400	76.1	0.32	64.35	0.80	66.2	0.35	0.714	3.41	58	172
ZEN G 2500 P	2785	94.99	0.59	76.7	0.59	84.28	0.63	0.833	3.97	59	210
ZEN ECG 1000 P	1350	40.57	0.20	36.61	1.03	37.36	0.3	0.374	2.84	60	88
ZEN ECG 1500 P	1820	58.99	0.16	54.49	1.34	58.07	0.96	0.494	3.78	61	126
ZEN ECG 2000 P	2700	91.68	0.45	78.44	1.14	82.06	0.51	0.748	5.68	62	172
ZEN ECG 2500 P	3160	114.78	0.82	93.77	0.85	102.02	0.92	0.868	6.62	63	210

Water heated: connection pipes P86 and P64 are 2x3/4" female (male if lateral pipes), P54 2x1" male.
P86 2 rows coil, P64 3 rows coil, P54 4 rows coil.

WATER HEATED 240V-1ph~60Hz

Model	Airflow cfm	P86 (80/60°C)		P64 (60/40°C)		P54 (50/40°C)		Ventilation power 240-1ph~60Hz	Ventilation current 240-1ph~60Hz	Noise level (5 m) dB(A)	Weight lb
		Water heating capacity kBtu/h	Water pressure drop psi	Water heating capacity kBtu/h	Water pressure drop psi	Water heating capacity kBtu/h	Water pressure drop psi	kW	A		
ZEN G 1000 P	1265	37.67	0.18	33.85	0.90	34.33	0.26	0.439	1.80	57	88
ZEN G 1500 P	1700	54.66	0.14	50.29	1.16	53.23	0.82	0.585	2.40	58	126
ZEN G 2000 P	2525	85.03	0.39	72.44	0.99	75.27	0.44	0.878	3.60	59	172
ZEN G 2500 P	2950	106.36	0.67	86.50	0.74	93.50	0.79	1.024	4.20	60	210
ZEN ECG 1000 P (¹)	1440	40.57	0.20	38.45	1.03	39.24	0.30	0.460	3.00	61	88
ZEN ECG 1500 P (¹)	1930	58.99	0.16	57.22	1.34	60.94	0.96	0.607	4.00	62	126
ZEN ECG 2000 P (¹)	2875	91.65	0.45	82.37	1.14	86.12	0.51	0.920	6.00	63	172
ZEN ECG 2500 P (¹)	3370	114.75	0.82	98.41	0.85	107.07	0.92	1.067	7.00	64	210

Water heated: connection pipes P86 and P64 are 2x3/4" female (male if lateral pipes), P54 2x1" male.
P86 2 rows coil, P64 3 rows coil, P54 4 rows coil.

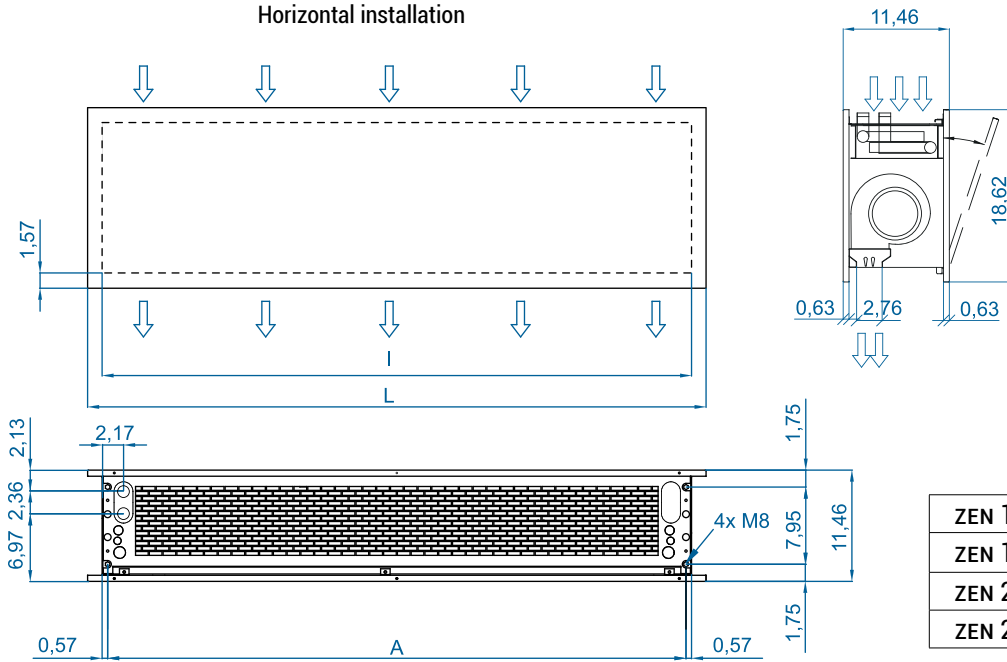


Selection program



Dimensions

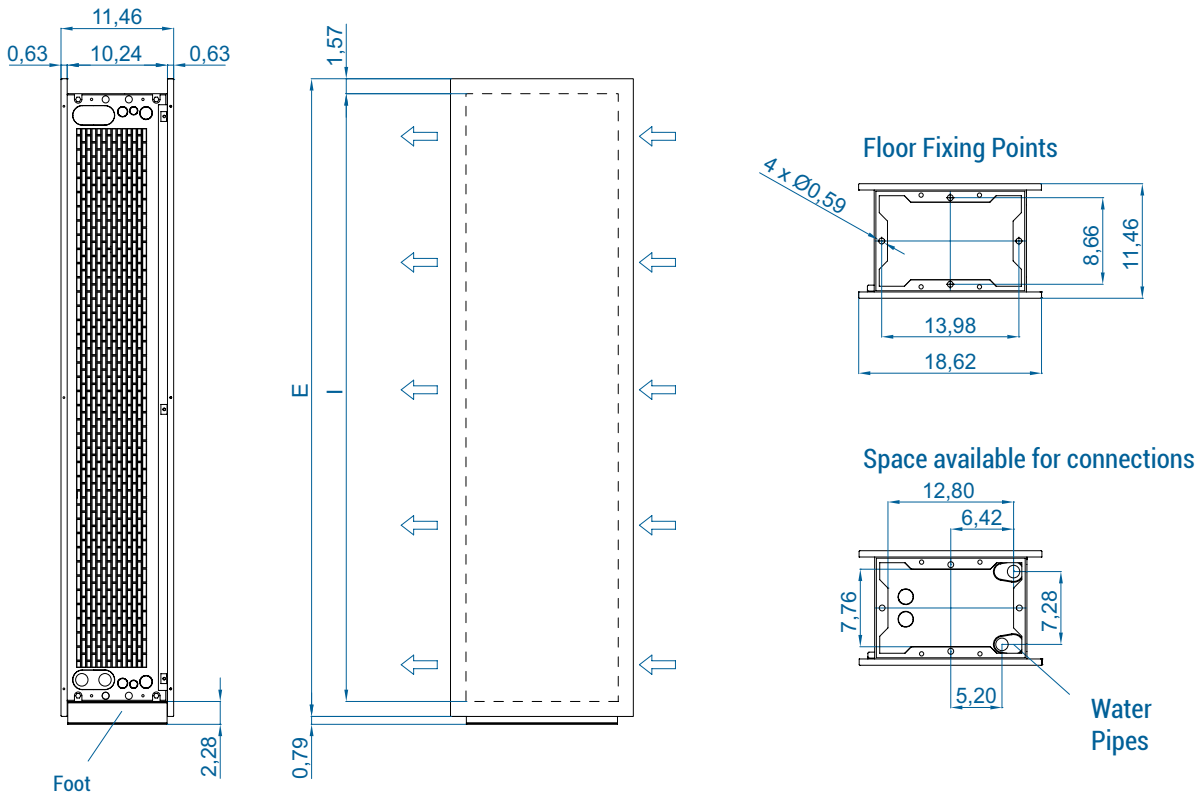
Horizontal installation



	L	I	A
ZEN 1000	48.03	44.88	43.90
ZEN 1500	63.78	60.79	59.65
ZEN 2000	83.46	80.47	79.33
ZEN 2500	103.15	100.16	99.02

Customizable dimensions on request.

Vertical installation



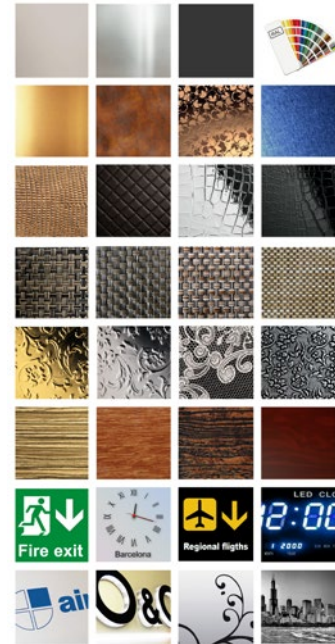
CAD drawings, installation manuals
and other documentation





Finishes

The front panel is designed to include graphics, logos, illuminated signs, signage, clocks or any other decorative element desired by the customer. Available in any colour from the RAL chart or in stainless steel.



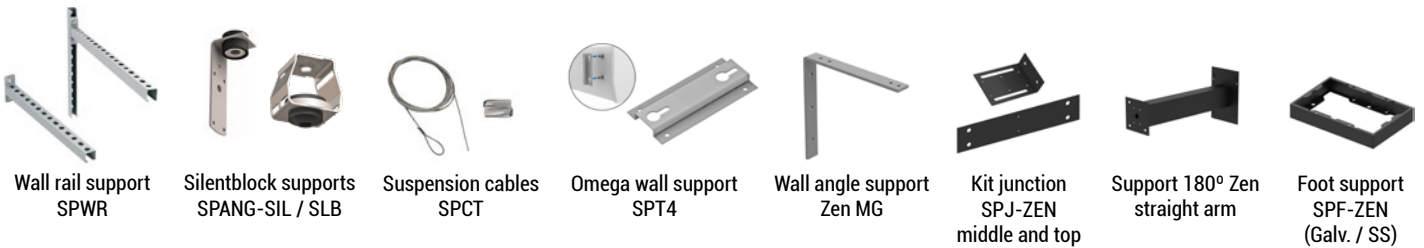
- standard / painted
- decorative metals
- crocco / leather
- screen
- vintage / floral
- wood
- signage
- logos / images



WATCH VIDEO

Optional accessories

Supports and installation



Control



Sensors

