

Schwank

Installation Manual

Epic 14 Series Air Curtain

Mounting Height: 10ft-16ft



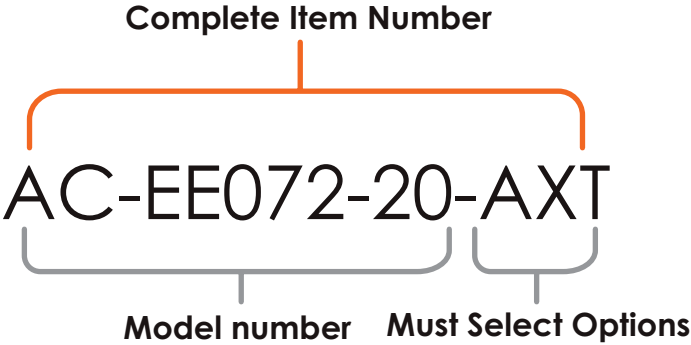
Schwank Ltd. certifies that the air curtains shown herein are licensed to bear the AMCA Seal. The ratings shown are based on tests and procedures performed in accordance with AMCA Publication 211 (includes performance testing per AMCA 220) and comply with the requirements of the AMCA Certified Ratings Program. Rated data shown is for ambient (unheated) units. The AMCA Certified Ratings Seal applies to airflow rate, average outlet velocity, outlet velocity uniformity, velocity projection and power rating at free delivery only.

→ Configuring The Epic Air Curtain

Epic Air Curtain provides the flexibility with various features and customizable options available that makes it easy to install in field without any modifications or extra modules: Customize your air curtain in 2 Easy Steps:

1. Select Model Number
2. Add Must Select Options to complete the full item number

For example – An electric heated Air curtain 72", 208V with Advanced Control package, Unit mounted disconnect switch and Top intake.



| | |
|---|--|
| Model Number | Options |
| Air Curtain – (AC) Series Type – Epic (E) Heating Mode – Electric (E) Ambient (A) Unit Width – 036, 042, 048, 060, 072, etc... Voltage - 208V (20), 480V (48), 600V (60) | Control Type - Advanced (A) Default (B) Disconnect Switch - None (N) Unit Mounted (X)* Wall Mounted (Y)* Intake Type - Top Intake (T) Front Intake (F) |

For information on Advanced or Default control package - Refer to Controls and Activation section

*Some units are NOT compatible with disconnect switch.
 * Note: Wall Mounted Disconnect will be shipped as an accessory. 480V, 600V Electric Heated Models must use Step Down Transformer for EC Motors to use with wall mounted Disconnect Switch.

→ Technical Specification

🌸 Ambient, no heat

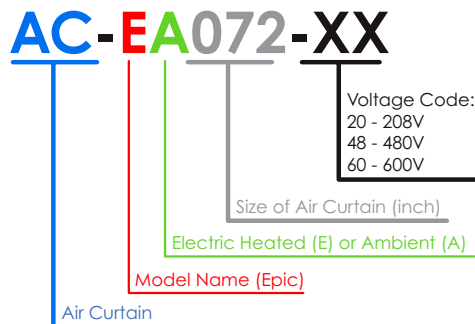
| Model | Width (inch) | Avg. Outlet Velocity (FPM) | Air Volume (CFM) | Power Rating (kW) | EC Motor(s) / HP |
|-------------|--------------|----------------------------|------------------|-------------------|------------------|
| AC-EA036-XX | 36 | 2349 | 1738 | 0.98 | 1/1 |
| AC-EA042-XX | 42 | 2195 | 1881 | 1.00 | 1/1 |
| AC-EA048-XX | 48 | 2316 | 2263 | 1.00 | 1/1 |
| AC-EA060-XX | 60 | 2617 | 3187 | 1.82 | 2/1 |
| AC-EA072-XX | 72 | 2349 | 3476 | 1.97 | 2/1 |
| AC-EA084-XX | 84 | 2195 | 3762 | 1.99 | 2/1 |
| AC-EA096-XX | 96 | 2316 | 4526 | 2.00 | 2/1 |
| AC-EA108-XX | 108 | 2349 | 5214 | 2.95 | 3/1 |
| AC-EA120-XX | 120 | 2617 | 6374 | 3.63 | 4/1 |
| AC-EA144-XX | 144 | 2349 | 6952 | 3.92 | 4/1 |

AMCA Certified Projection Velocity for 36" Epic Air Curtain

| | | | |
|-----------------------------|------------------------|------|-----|
| Distance from Nozzle (inch) | 2.75 (At Nozzle Level) | 120 | 168 |
| Max Core Velocity (FPM) | 3683 | 1012 | 849 |

Note: Outlet Velocity Uniformity at Nozzle Level 90%

1. For 50HZ expect ~ 17% reduction in performance
2. 1HP Electronically Communicated (EC) Motor with variable speed control.
3. 13Deg F - Approximate Temp Rise for Electric Heated Models
4. The unit can be mounted at heights ranging from 10 ft to 16 ft, with wind deflections varying from 14.85 MPH at 10ft to 12.45 MPH at 16ft. Recommended mounting height is 14ft.
5. Adjustable Air Directional Vane +/- 40 Degrees
6. Top air intake (Optional: Front intake)
7. Colors and Aesthetics:
 - a. Air Curtain Unit: RAL 7016 Anthracite Grey - Powder Coated Steel
 - b. Optional Aesthetics Front Grill: RALXXXX Silver - Powder Coated Steel (For Custom Colors please contact factory)

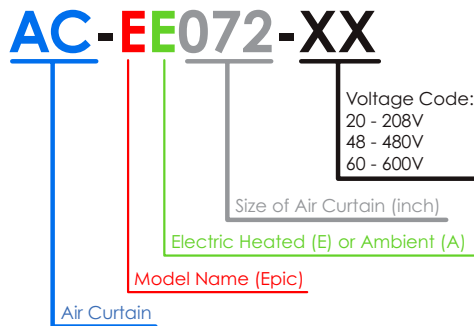


→ Technical Specification

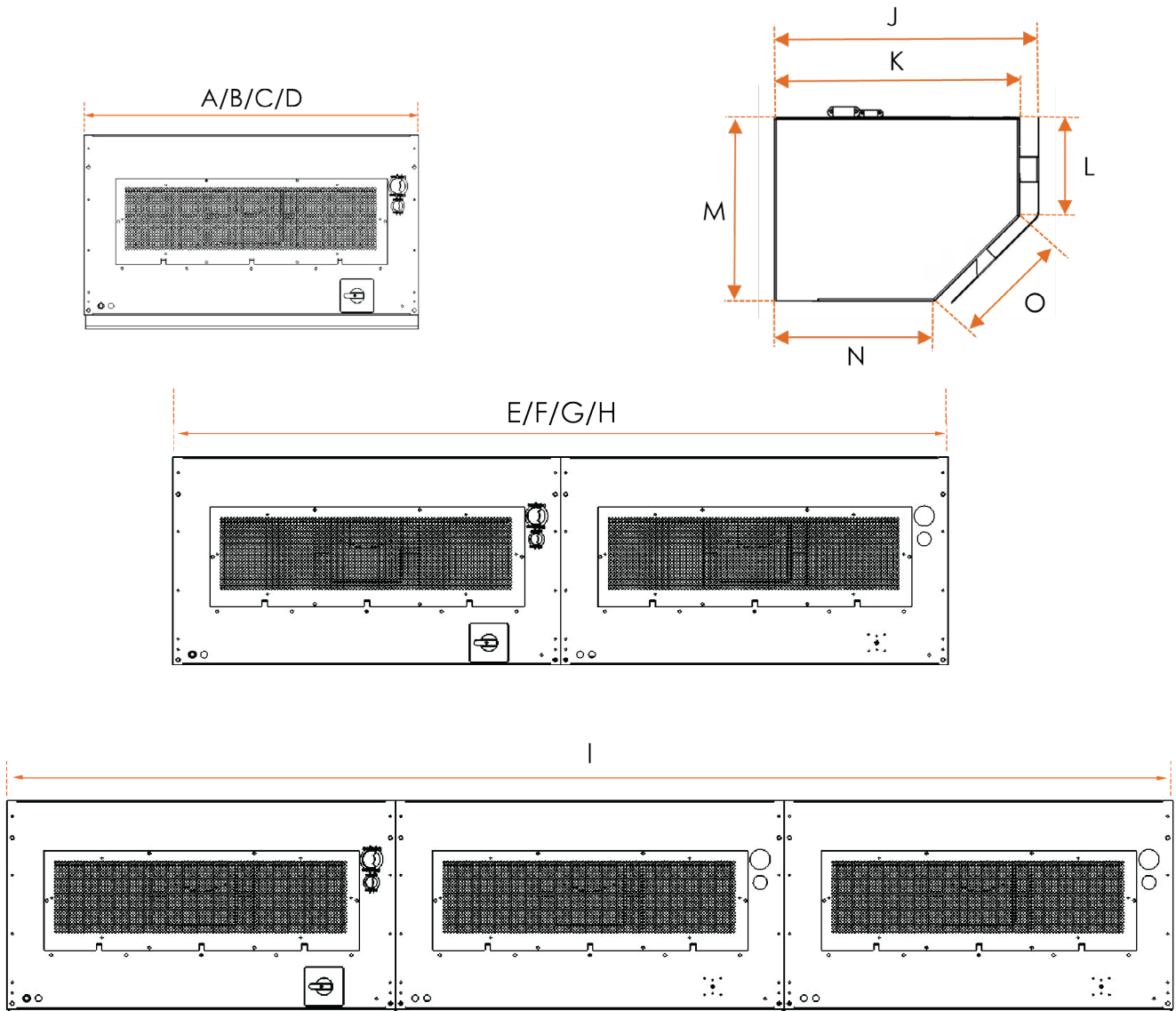
⚡ Electrical heat

| Model | Width (inch) | Avg. Outlet Velocity (FPM) | Air Volume (CFM) | Motor (kW) | EC Motor(s) / HP | Heater (kW) |
|-------------|--------------|----------------------------|------------------|------------|------------------|-------------|
| AC-EE036-XX | 36 | 2349 | 1738 | 0.98 | 1/1 | 12 |
| AC-EE042-XX | 42 | 2195 | 1881 | 1.00 | 1/1 | 12 |
| AC-EE048-XX | 48 | 2316 | 2263 | 1.00 | 1/1 | 12 |
| AC-EE060-XX | 60 | 2617 | 3187 | 1.82 | 2/1 | 18 |
| AC-EE072-XX | 72 | 2349 | 3476 | 1.97 | 2/1 | 24 |
| AC-EE084-XX | 84 | 2195 | 3762 | 1.99 | 2/1 | 24 |
| AC-EE096-XX | 96 | 2316 | 4526 | 2.00 | 2/1 | 24 |
| AC-EE108-XX | 108 | 2349 | 5214 | 2.95 | 3/1 | 36 |
| AC-EE120-XX | 120 | 2617 | 6374 | 3.63 | 4/1 | 36 |
| AC-EE144-XX | 144 | 2349 | 6952 | 3.92 | 4/1 | 48 |

1. For 50HZ expect ~ 17% reduction in performance
2. 1HP Electronically Communicated (EC) Motor with variable speed control.
3. 13Deg F - Approximate Temp Rise for Electric Heated Models
4. The unit can be mounted at heights ranging from 10 ft to 16 ft, with wind deflections varying from 14.85 MPH at 10ft to 12.45 MPH at 16ft. Recommended mounting height is 14ft.
5. Adjustable Air Directional Vane +/- 40 Degrees
6. Top air intake (Optional: Front intake)
7. Colors and Aesthetics:
 - a. Air Curtain Unit: RAL 7016 Anthracite Grey - Powder Coated Steel
 - b. Optional Aesthetics Front Grill: RALXXXX Silver - Powder Coated Steel
(For Custom Colors please contact factory)

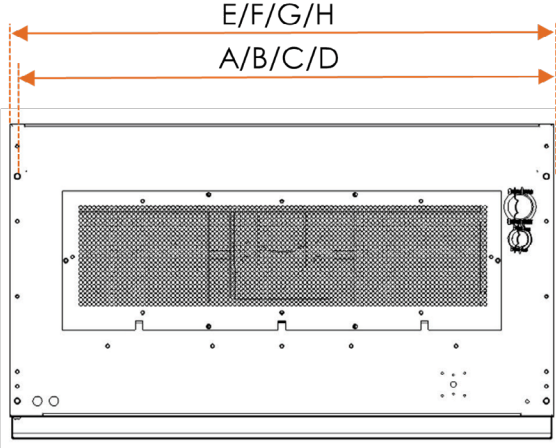


→ Dimensions

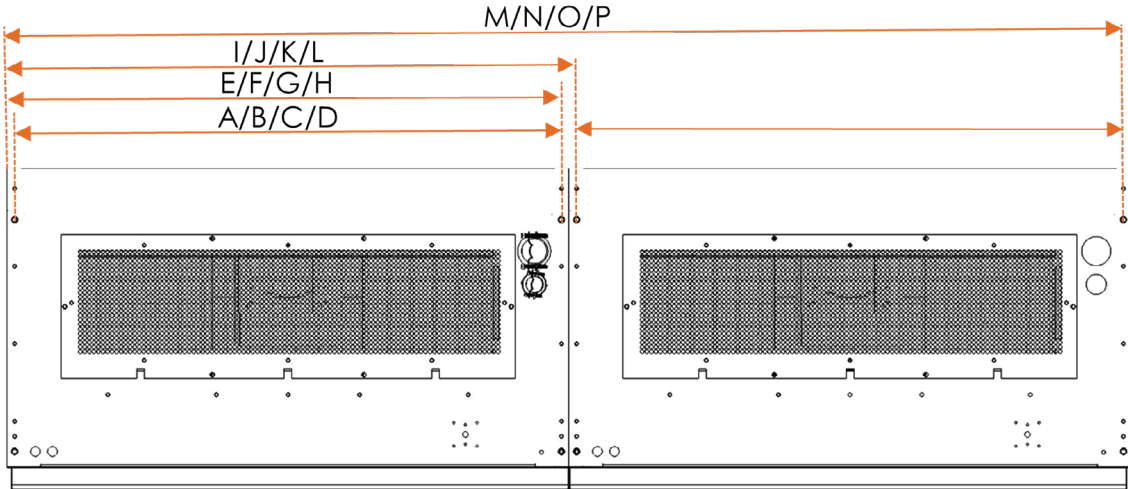


| Ref | Inch | Heated Model | Ambient Model | Ref | Inch | Heated Model | Ambient Model |
|-----|--------|--------------|---------------|-----|--------|--------------|---------------|
| A | 37.12 | AC-EE036-XX | AC-EA036-20 | I | 122.24 | AC-EE120-XX | AC-EA120-20 |
| B | 43.12 | AC-EE042-XX | AC-EA042-20 | J | 21.50 | All Models | All Models |
| C | 49.12 | AC-EE048-XX | AC-EA048-20 | K | 19.94 | All Models | All Models |
| D | 61.12 | AC-EE060-XX | AC-EA060-20 | L | 8.00 | All Models | All Models |
| E | 74.24 | AC-EE072-XX | AC-EA072-20 | M | 15.00 | All Models | All Models |
| F | 86.24 | AC-EE084-XX | AC-EA084-20 | N | 12.99 | All Models | All Models |
| G | 98.24 | AC-EE096-XX | AC-EA096-20 | O | 9.68 | All Models | All Models |
| H | 111.36 | AC-EE108-XX | AC-EA108-20 | | | | |

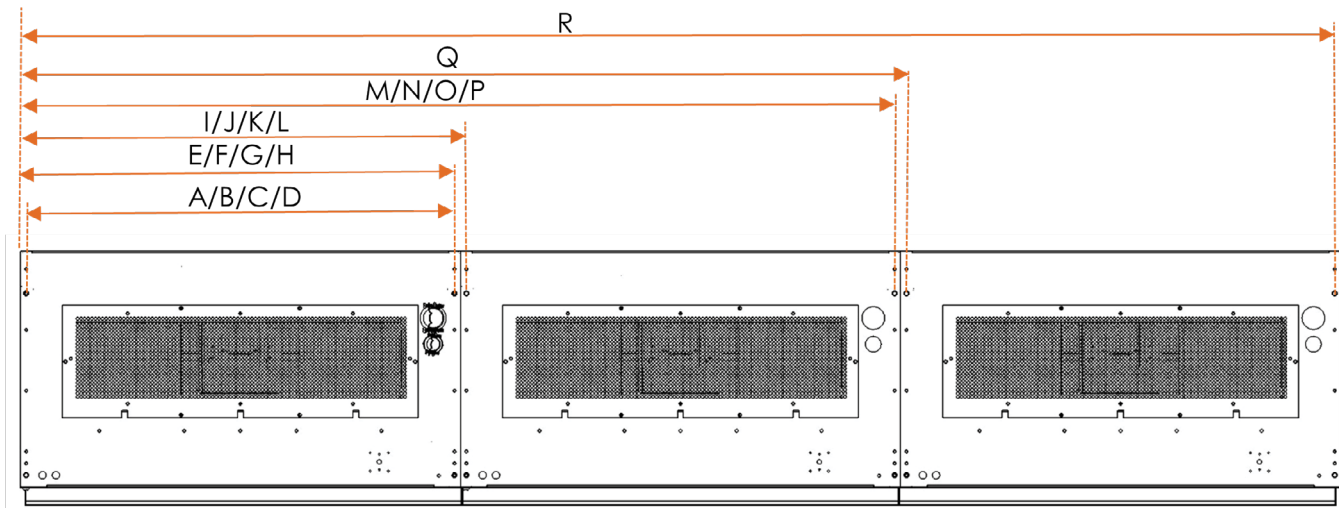
All Models: 36" - 60"



All Models: 72" - 96" & 120"



All Models: 108"



| Ref | Inch | Heated Model | Ambient Model |
|----------|--------|--------------|---------------|
| A | 36.12 | AC-EE036-XX | AC-EA036-XX |
| | | AC-EE072-XX | AC-EA072-XX |
| | | AC-EE108-XX | AC-EA108-XX |
| B | 42.12 | AC-EE042-XX | AC-EA042-XX |
| | | AC-EE084-XX | AC-EA084-XX |
| C | 48.12 | AC-EE048-XX | AC-EA048-XX |
| | | AC-EE096-XX | AC-EA096-XX |
| D | 60.12 | AC-EE060-XX | AC-EA060-XX |
| | | AC-EE120-XX | AC-EA120-XX |
| E | 36.62 | AC-EE036-XX | AC-EA036-XX |
| | | AC-EE072-XX | AC-EA072-XX |
| F | 42.62 | AC-EE042-XX | AC-EA042-XX |
| | | AC-EE084-XX | AC-EA084-XX |
| G | 48.62 | AC-EE048-XX | AC-EA048-XX |
| | | AC-EE096-XX | AC-EA096-XX |
| H | 60.62 | AC-EE060-XX | AC-EA060-XX |
| | | AC-EE120-XX | AC-EA120-XX |
| I | 37.62 | AC-EE072-XX | AC-EA072-XX |
| | | AC-EE180-XX | AC-EA180-XX |
| J | 43.62 | AC-EE084-XX | AC-EA084-XX |
| K | 49.62 | AC-EE096-XX | AC-EA096-XX |
| L | 61.62 | AC-EE120-XX | AC-EA120-XX |
| M | 73.74 | AC-EE072-XX | AC-EA072-XX |
| | | AC-EE108-XX | AC-EA108-XX |
| N | 85.74 | AC-EE084-XX | AC-EA084-XX |
| O | 96.74 | AC-EE096-XX | AC-EA096-XX |
| P | 121.74 | AC-EE120-XX | AC-EA120-XX |
| Q | 74.74 | AC-EE108-XX | AC-EA108-XX |
| R | 110.86 | AC-EE108-XX | AC-EA108-XX |

→ Mounting Kits

Angled Bracket Kit



| Angled Bracket Kit Model | Product Type | Quantity included |
|--------------------------|--|-------------------|
| JC-0950-060 | AC-EA036-20, AC-EA042-20, AC-EA048-20, AC-EA060-20, AC-EE036-XX, AC-EE042-XX, AC-EE048-XX, AC-EE060-XX | 2 |
| JC-0950-120 | AC-EA072-20, AC-EA084-20, AC-EA096-20, AC-EA120-20, AC-EE072-XX, AC-EE084-XX, AC-EE096-XX, AC-EE120-XX | 3 |
| JC-0950-108 | AC-EA108-20, AC-EE108-XX | 4 |

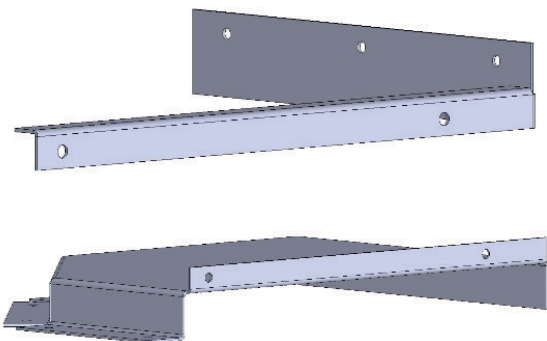
Note: When using an angled bracket with threaded rods and struts for all product types use the angled bracket kit model: JC-0950-060

Wall Mount Kit



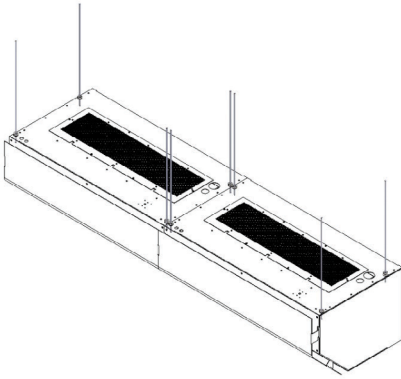
| Wall Mount Kit Model | Product Type |
|----------------------|--------------------------|
| JC-0953-36 | AC-EA036-20, AC-EE036-XX |
| JC-0953-42 | AC-EA042-20, AC-EE042-XX |
| JC-0953-48 | AC-EA048-20, AC-EE048-XX |
| JC-0953-60 | AC-EA60-20, AC-EE060-XX |
| JC-0953-72 | AC-EA72-20, AC-EE072-XX |
| JC-0953-84 | AC-EA84-20, AC-EE084-XX |
| JC-0953-96 | AC-EA96-20, AC-EE096-XX |
| JC-0953-108 | AC-EA108-20, AC-EE108-XX |
| JC-0953-120 | AC-EA120-20, AC-EE120-XX |

Vertical Mount Kit



| Vertical Mount Kit Model | Product Type | Noted |
|--------------------------|--------------|--------------------|
| JC-0954-KR | All Models | Right Side Mounted |
| JC-0954-KL | All Models | Left Side Mounted |

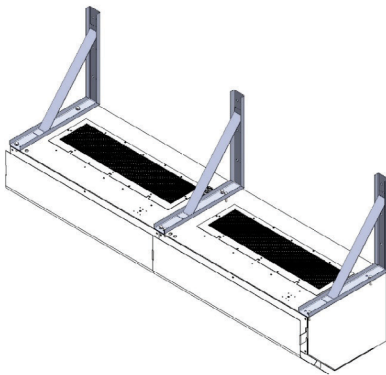
→ Mounting and Installation



Threaded Rods – Ceiling Mount

3/8-16 threaded inserts are present on the top of the air curtain to attach the threaded rods at one end. The threaded rods opposite ends can be fastened to the ceiling. Ensure that no more than 1-1/2 Inch of the rods should protrude into the air curtain.

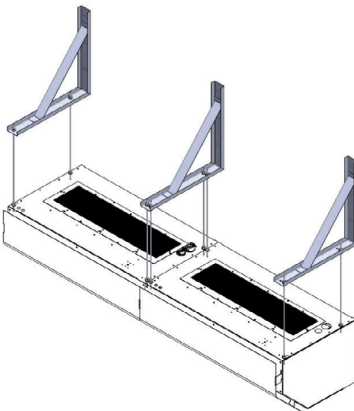
Threaded rods supplied by others.



Angled Bracket – Wall Mount

Back side of the angled brackets has six mounting holes capable of accepting six 3/8 mounting bolts, with washers. Mark and pre-drill mounting surface accurately. Lift the air curtain to the brackets and use 3/8 bolts and washers to fasten the air curtain to the angled bracket using the eight threaded inserts present on top of the air curtain.

Angled Bracket JC-0950-XX

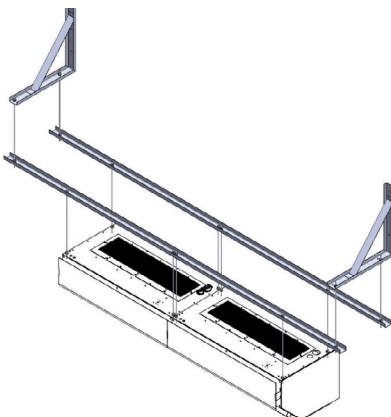


Angled Bracket w/ Suspended Rods – Wall Mount

The back side of the angled brackets has six mounting holes capable of accepting six 3/8 mounting bolts with washers. Mark and pre-drill the mounting surface accurately. Lift the air curtain to the brackets and use 3/8 bolts and washers to fasten the air curtain to the angled bracket using the eight threaded inserts present on top of the air curtain

Angled Bracket JC-0950-XX

Threaded rods supplied by others

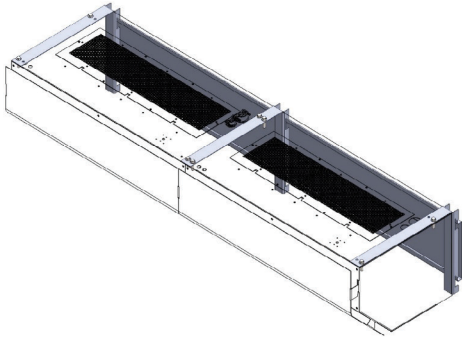


Angled Bracket w/ Suspended Rods & Strut - Wall Mount

Back side of the angled brackets has six mounting holes capable of accepting six 3/8 mounting bolts, with washers. Mark and pre-drill mounting surface accurately. Lift the air curtain to the brackets and use 3/8 bolts and washers to fasten the air curtain to the angled bracket using the eight threaded inserts present on top of the air curtain and struts

Angled Bracket JC-0950-XX

Threaded rods supplied by others.

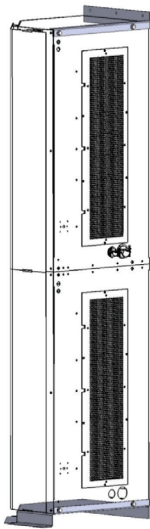


Concealed Backplate Wall Mount Kit

The wall mount consists of two pieces, a plate that extends the whole length of the air curtain and a bracket that attaches to the air curtain. The back side of the plate has six mounting holes capable of accepting six 3/8 mounting bolts with washers. Mark and pre-drill the mounting surface accurately. First, fasten the plate to the wall, then attach the brackets to the top of the air curtain using Eight (Twelve for 108" unit) threaded inserts present.

Lift and anchor the air curtain with a bracket attached to it on the plate fastened to the wall.

Concealed Backplate JC-0953-XX



Vertical Floor Mounting Kit

The vertical mount consists of two pieces, a base bracket and a vertical wall mount bracket. The base bracket is attached to the floor using 3/8 fasteners appropriate to the surface mounted to. The wall bracket is attached to the two threaded inserts on top of the air curtain with 3/8 bolts and washers, then to the base bracket with 3/8 bolts and washers. To secure the air curtain from the wall, the back side of the vertical wall mount has two mounting holes capable of accepting three 3/8 mounting bolts with washers. Mark and pre-drill the mounting surface accurately.

All Units may be mounted vertically. For vertical mounting, all units must be ordered with a vertical kit from the factory.

The side of the door that the unit will be installed when facing the door (Left or Right) determines the Kit ordered. All units vertically mounted must be secured from the wall as well as the ground.

Vertical Mounting Kit JC-0954-KR – Right

Vertical Mounting Kit JC-0954-KL – Left

Accessories

| Accessories | Description |
|--------------|--|
| JC-0216-CC | Plunger type Overhead Door Switch For Air Curtains (UL and CSA Certified) |
| JC-0216-MM | Roller Type Overhead Door Switch for Air Curtains (UL and CSA Certified) |
| JC-0216-KT | Heavy Duty Magnetic industrial Door Switch for Air Curtain with Actuator Kit |
| JC-0209-HOA | Epic14 Air Curtain HOA (Hands OFF AUTO) Switch With Enclosure |
| JC-0209-XX | Epic14 Insect Control Switch With Enclosure |
| *JC-0231-XX | 32A/600V Wall Mounted Disconnect Panel (3-Pole) (For Epic14 Air Curtain Ambient Models) |
| *JC-0232-XX | 63A/600V Wall Mounted Disconnect Panel (3-Pole) (For Epic14 Air Curtains Electric Heated Models: 36", 42" & 48") |
| *JC-0232-ZZ | 100A/600V Wall Mounted Disconnect Panel (3-Pole) (For Epic14 Air Curtain Heated Models: 60", 72", 84" & 96") |
| *JC-0233-YY | 180A/600V Wall Mounted Disconnect Panel (3-Pole) (For Epic14 Air Curtain Heated Models: 108" & 120") |
| JC-0816-2KVA | 2kVA Transformer (480/600V - 208V) (For Epic14 Air Curtain: 36" 42" 48") |
| JC-0816-4KVA | 4kVA Transformer (480V/600V - 208V) (For Epic14 Air Curtain: 60", 72", 84" & 96") |
| JC-0816-6KVA | 6kVA Transformer (480/600V - 208V) (For Epic14 Air Curtain: 108") |
| JC-0816-8KVA | 8KVA Transformer (480V/600V - 208V) (For Epic14 Air Curtain: 120") |
| JC-0856-36 | Epic14 Metal Washable Filters 36" (Top or Front Intake) |
| JC-0856-42 | Epic14 Metal Washable Filters 42" (top or Front Intake) |
| JC-0856-48 | Epic14 Metal Washable Filters 48" (Top or Front Intake) |
| JC-0856-60 | Epic14 Metal Washable Filters 60" (Top or Front Intake) |
| JC-0856-72 | Epic14 Metal Washable Filters 72" (Top or Front Intake) - Set of 2 x 36" |
| JC-0856-84 | EPC14 Metal Washable Filters 84" (Top or Front Intake) - Set of 2 x 42" |
| JC-0856-96 | Epic14 Metal Washable Filters 96" (Top or Front Intake) - Set of 2 x 48" |
| JC-0856-108 | Epic14 Metal Washable Filters 108" (Top or Front Intake) - Set of 3 x 36" |
| JC-0856-120 | Epic14 Metal Washable Filters 120" (Top or Front Intake) - Set of 2 x 60" |
| JC-0871-36 | Epic14 Front 36" Decorative Shield w/ Matte Silver Color |
| JC-0871-42 | Epic14 Front 42" Decorative Shield w/ Matte Silver Color |
| JC-0871-48 | Epic14 Front 48" Decorative Shield w/ Matte Silver Color |
| JC-0871-60 | Epic14 Front 60" Decorative Shield w/ Matte Silver Color |
| JC-0871-72 | Epic14 Front 72" Decorative Shield w/ Matte Silver Color - Set of 2 x 36" |
| JC-0871-84 | Epic14 Front 84" Decorative Shield w/ Matte Silver Color - Set of 2 x 42" |
| JC-0871-96 | Epic14 Front 96" Decorative Shield w/ Matte Silver Color - Set of 2 x 48" |
| JC-0871-108 | Epic14 Front 108" Decorative Shield w/ Matte Silver Color - Set of 3 x 36" |
| JC-0871-120 | Epic14 Front 120" Decorative Shield w/ Matte Silver Color - Set of 2 x 60" |
| JC-0871-144 | Epic 14 Front 144" Decorative Shield w/ Matte Silver Color - Set of 4 x 36" |

Mounting Kits

| Mounting Kits | Description |
|---------------|---|
| JC-0953-36 | Epic14 Concealed Wall Mount Backplate Kit for 36" |
| JC-0953-42 | Epic14 Concealed Wall Mount Backplate Kit for 42" |
| JC-0953-48 | Epic14 Concealed Wall Mount Backplate Kit for 48" |
| JC-0953-60 | Epic14 Concealed Wall Mount Backplate Kit for 60" |
| JC-0953-84 | Epic14 Concealed Wall Mount Backplate Kit for 84" |
| JC-0953-96 | Epic14 Concealed Wall Mount Backplate Kit for 96" |
| JC-0953-108 | Epic14 Concealed Wall Mount Backplate Kit for 108" |
| JC-0953-120 | Epic14 Concealed Wall Mount Backplate Kit for 120" |
| JC-0954-KT | Epic14 Right Side Verticle Mounting Kit (Floor Mount) w/ Anthracite Grey Color RAL7016 |
| JC-0955-KT | Epic14 Left Side Verticle Mounting Kit (Floor Mount) w/ Anthracite Grey Color RAL7016 |
| JC-0950-060 | Epic14 Wall Mount, Ceiling Mount Angled "L" Bracket Kit (36" 42" 48" 60") w/ Anthracite Grey Color RAL 7016 - Set of 2 Brackets |
| JC-0950-120 | Epic14 Wall Mount, Ceiling Mount Angled "L" Bracket Kit (72" 84" 96" 120") w/ Anthracite Grey Color RAL7016 - Set of 3 Brackets |
| JC-0950-108 | Epic14 Wall Mount, Ceiling Mount Angled "L" Bracket Kit (108") w/ Anthracite Grey Color RAL7016 - Set of 4 Brackets |

Controls and Activation

Default Controls Package

Features included with Default controls are as follows:

Air Curtain Activation (ON/OFF) via optional Door Switch, optional disconnect switch, or hands-off auto switch.

Time Delay:

Ambient – The blowers will run until the door is open. When the door closes, the air curtain will run for 20 seconds before turning off.

Electric Heated – The blowers will run until the door is open. When the door closes, the air curtain will run for 20 seconds before turning off. 2 Step Heating is available as requested by a wall mounted thermostat (2 Stage Thermostat Required for Electric Heated Units)

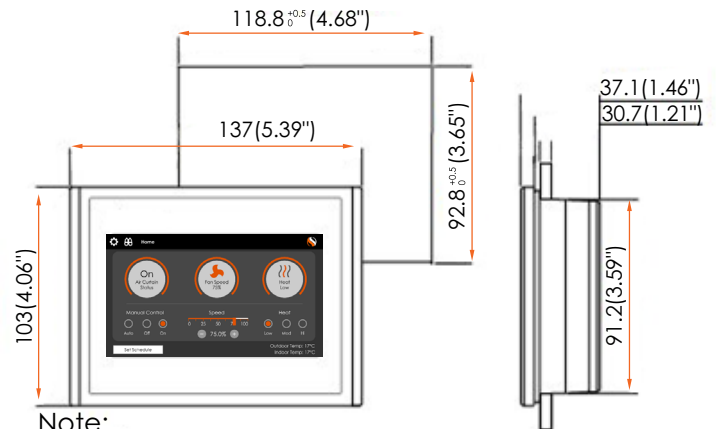
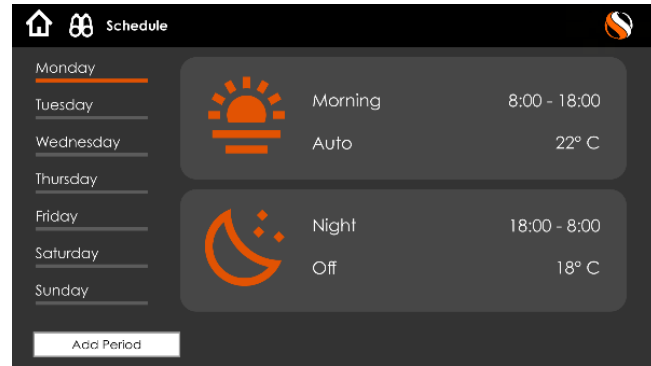
| Part # | Description |
|--------------|---|
| JS-0570-TT | Moisture Proof NEMA 4X 2 Stage Thermostat |
| JS-0569-DT | 2 Stage 24V Digital Thermostat |
| JS-0569-DT-P | 24V Digital 2 Stage Programmable Thermostat |

→ Advanced Control Package

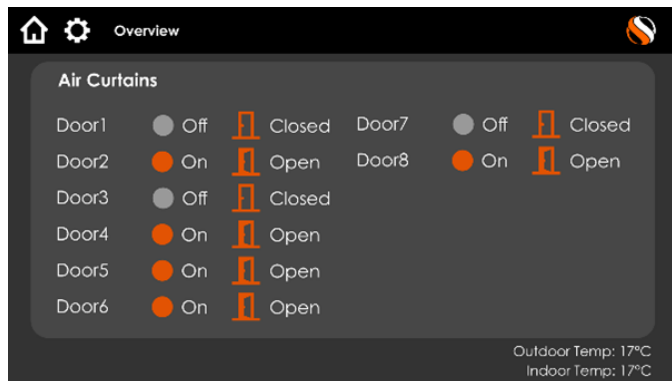
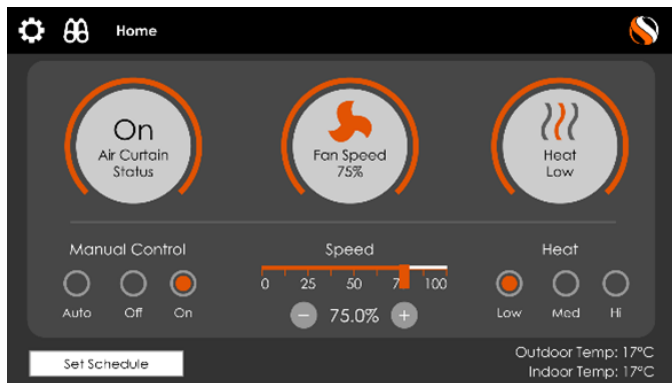
The optional advanced control package offers enhanced features and functionality for the Epic14 Air Curtain series to our customers. The unit can be fully customized to individual needs or left in auto to provide the most optimized energy savings, with fully automated controls over air curtain features.

Epic Series Advanced Package includes the following:

- 4.3" Wall Mounted HMI Touch Screen
- Indoor and Outdoor Temp Sensor
- BMS Connectivity via BACnet IP Ready
- Auto Speed Adjustment Based on Temp Differential
- Space Heating Mode
- Insect Control Mode
- Scheduling Features
- Manual Override
- Stepless Fan Speed Control
- 2 Step Heater Control
- Auto Traffic Detection and Time Delay



Note:
T=1.6mm~3mm(0.063"~0.12")



Controls and Activation

Features and Sequences

Auto mode:

- Once the door switch is opened, the air curtain will run at best optimum/efficient speed and provide effective barrier. The efficient speed is actively calculated based on the environment and conditions in the facility. If it is too hot outside and normal inside, the blower speed will be more, as compared to if the temperature outside and inside is almost the same.
- After the door switch is closed the air curtain will run for the time delay before shutting off. The air curtain is intelligently monitoring the traffic and calculating time delay.
- The heating coils will run intelligently as required by temperature difference b/w Inside or Outside Temp

BMS Connectivity:

- BACnet IP for BMS Connection

Space Heating Mode:

- Once put in space heating mode, the air curtain continuously tries to maintain the desired set point temperature. If the door switch is opened, the air curtain resumes Auto/ON operation and once the door switch is closed, the air curtain resumes space heating.

Variable Mounting Height:

- Adjust the mounting height from 10ft – 16ft

Insect Control Mode:

- Available for all models with a touch of a button. Insect control effective for mounting heights 10ft - 13ft. At 14ft mounting height, marginal insect control available.

Manual Mode:

- Speed – User can select speed control (stepless 50-100%) from the HMI. Once the door switch is opened, the air curtain will run at the selected speed. After the door switch is closed, the air curtain will over run for few seconds before shutting off.
- Heat – 2 Stage Heat Control Available (High/Low). No Additional Thermostat required with advanced controls. High Heat)

- Manual Time Delay – The user can input manual time delay in seconds. The air curtain will run for the specified time after the door switch is closed. It will ignore the Intelligent traffic monitoring calculations.

Scheduling:

- Air curtain will have 2 periods (Morning and Night) and can be scheduled for a week. The user can set the desired temperature and AUTO/ON/OFF for the air curtain

Auto cut-off:

- If in any point of time the air curtain runs for more than 8 hrs, it is probably due to door switch stuck open and air curtain shuts off.
- An alarm notification will be displayed on the touch screen interface

Custom Colors and Aesthetics

Custom colors can be used to improve the aesthetic appearance of the system. This can be especially important in situations where the HVAC components are visible to the people working in the building, as these components can be large and prominent features.

By painting the components in a color that coordinates with the overall design of the building, it is possible to create a more cohesive and visually appealing appearance. In addition to simply improving the look of the air curtain, custom color painting can also be used to create a more professional or polished appearance. With Schwank Epic Series, it is now possible to get aesthetics package with your industrial air curtain. The package includes a decorative front shield with a Schwank Orange Color or you can go with any custom color of your choice.

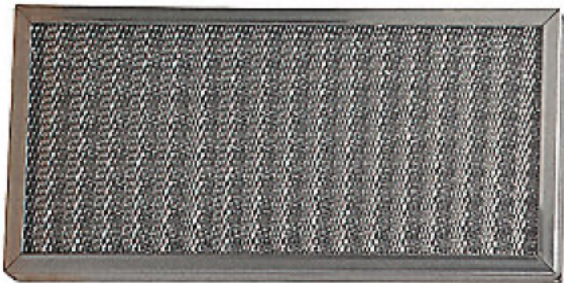
- 16 Gauge Powder Coated Steel Aesthetic Front Shield
- Hook Mechanism for easy to mount/dis-mount even when at heights
- Default Color: Silver
- Custom Color: Any Color Available with MOQ of 10 Epic Air Curtains. Please provide RAL code when ordering, contact your sales rep or factory for more details.

| Aesthetic Kits | Air Curtain Size |
|-----------------------|-------------------------|
| JC-0871-36 | 36" |
| JC-0871-42 | 42" |
| JC-0871-48 | 48" |
| JC-0871-60 | 60" |
| JC-0871-72 | 72" |
| JC-0871-84 | 84" |
| JC-0871-96 | 96" |
| JC-0871-108 | 108" |
| JC-0871-120 | 120" |
| JC-0871-144 | 144" |

Optional Filters

Optional Aluminum Washable Filters are available with Schwank Epic Series Air Curtain. These filters are easy to install, maintain and must be ordered from factory when ordering the unit.

One of the main benefits of aluminum washable filters is that they can be easily cleaned and reused. To clean an aluminum washable filter, you simply need to remove it from the air curtain unit by unscrewing the front or top intake cover and rinse it off with water. The filter can then be dried and reinserted back into the unit. It is recommended to clean the intake grill / filter at least once every six (6) months (Individual conditions may vary).



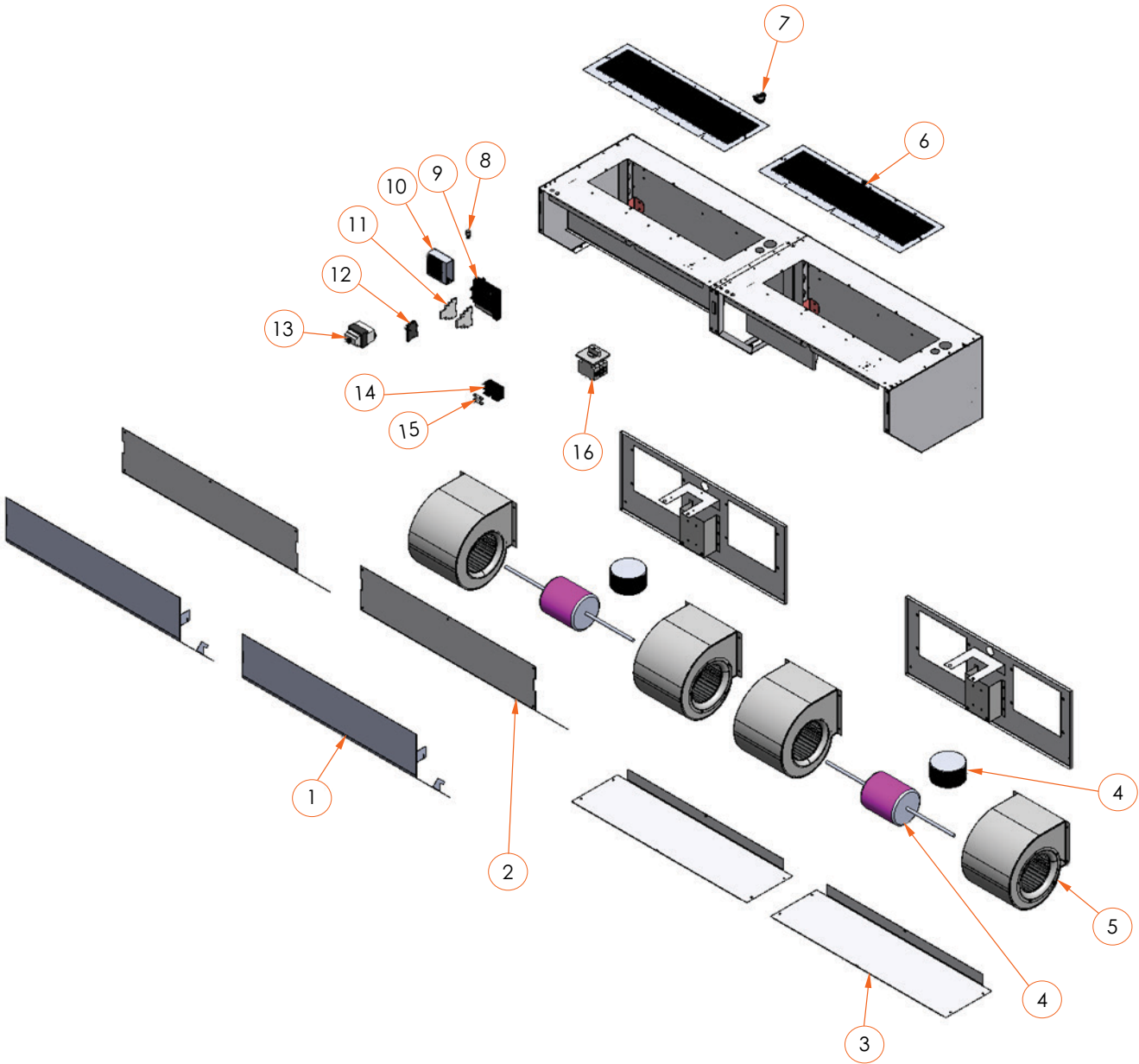
Notes:

- 1/2" Pressed Aluminum Mesh Filter - Washable
- Aluminum T6 Filter (To be confirmed)
- Easy to clean and install in the field
- Filters are only designed to meet Schwank Epic Series (Electric Heated or Ambient Model)
- Filters are UL Class (X) Certified
- Filters are located inside the intake screen for a sleek and tidy appearance

| Filter Kit Part Numbers | Air Curtain Size | Filter QTY Included |
|-------------------------|------------------|---------------------|
| JC-0856-36 | 36" | 1 |
| JC-0856-42 | 42" | 1 |
| JC-0856-48 | 48" | 1 |
| JC-0856-60 | 60" | 1 |
| JC-0856-72 | 72" | 2 |
| JC-0856-84 | 84" | 2 |
| JC-0856-96 | 96" | 2 |
| JC-0856-108 | 108" | 3 |
| JC-0856-120 | 120" | 2 |
| JC-0856-144 | 144" | 4 |

→ Replacement Parts List

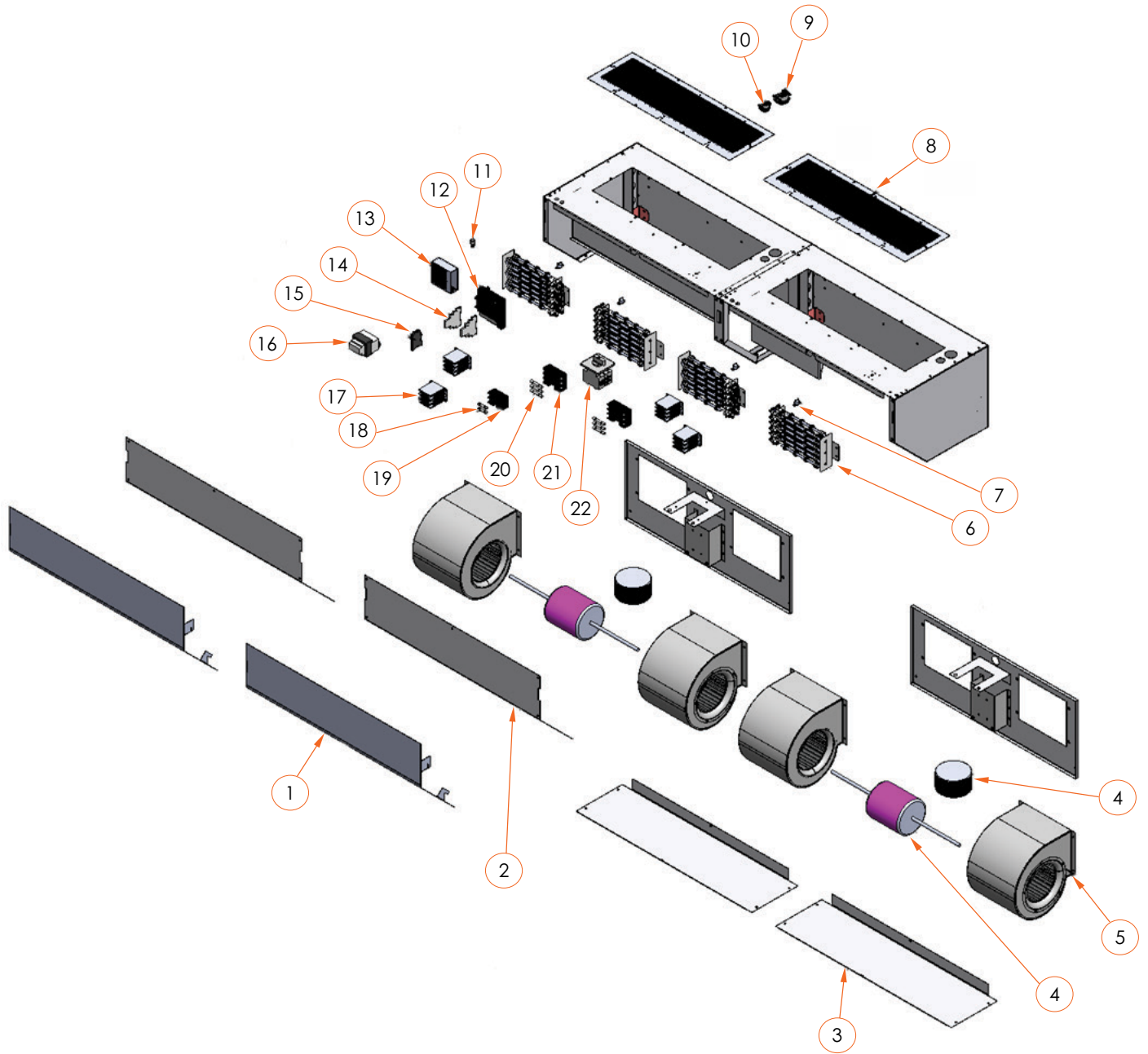
Schwank Epic14 Series Air Curtain - Ambient



| Item | Description | Part # | QTY | Notes | Model # |
|------|--|------------|-----|---|---|
| 1 | Front Shield, 36" | JC-0871-36 | 1 | | AC-EA036-20, AC-EA072-20, AC-EA108-20 |
| | Front Shield, 37" | JC-0871-37 | 1 | 108" Middle Front Shield | AC-EA108-20, AC-EA144-20 |
| | Front Shield, 42" | JC-0871-42 | 1 | 108" & 144" Front Shield for Middle Units | AC-EA042-20, AC-EA084-20 |
| | Front Shield, 48" | JC-0871-48 | 1 | | AC-EA048-20, AC-EA096-20 |
| | Front Shield, 60" | JC-0871-60 | 1 | | AC-EA060-20, AC-EA120-20 |
| 2 | Front Cover (NO INTAKE HOLES), 36" | JC-0872-36 | 1 | | AC-EA036-20, AC-EA072-20, AC-EA108-20 |
| | Front Cover (NO INTAKE HOLES), 42" | JC-0872-42 | 1 | | AC-EA042-20, AC-EA084-20, AC-EA144-20 |
| | Front Cover (NO INTAKE HOLES), 48" | JC-0872-48 | 1 | | AC-EA048-20, AC-EA096-20 |
| | Front Cover (NO INTAKE HOLES), 60" | JC-0872-60 | 1 | | AC-EA060-20, AC-EA120-20 |
| 2 | Front Cover (WITH INTAKE HOLES), 36" | JC-0873-36 | 1 | | AC-EA036-20, AC-EA072-20, AC-EA108-20 |
| | Front Cover (WITH INTAKE HOLES), 42" | JC-0873-42 | 1 | | AC-EA042-20, AC-EA084-20, AC-EA144-20 |
| | Front Cover (WITH INTAKE HOLES), 48" | JC-0873-48 | 1 | | AC-EA048-20, AC-EA096-20 |
| | Front Cover (WITH INTAKE HOLES), 60" | JC-0873-60 | 1 | | AC-EA060-20, AC-EA120-20 |
| 3 | Bottom Cover, 36" | JC-0870-36 | 1 | | AC-EA036-20, AC-EA072-20, AC-EA108-20 |
| | Bottom Cover, 42" | JC-0870-42 | 1 | | AC-EA042-20, AC-EA084-20, AC-EA144-20 |
| | Bottom Cover, 48" | JC-0870-48 | 1 | | AC-EA048-20, AC-EA096-20 |
| | Bottom Cover, 60" | JC-0870-60 | 1 | | AC-EA060-20, AC-EA120-20 |
| 4 | EC Motor (Dual Shaft) | JC-0810-XX | 1 | | All |
| | EC Motor (Single Shaft) | JC-0812-XX | 1 | | AC-EE060-20, AC-EE120-20 |
| 5 | Impeller - Right | JC-0851-XX | 1 | Right | All |
| | Impeller - Left | JC-0853-XX | 1 | Left | All |
| 8 | Top Cover Cap (With Intake Holes), 36 | JC-0876-36 | 1 | | AC-EA036-20, AC-EA072-20, AC-EA108-20 |
| | Top Cover Cap (With Intake Holes), 42 | JC-0876-42 | 1 | | AC-EA042-20, AC-EA084-20, AC-EA144-20 |
| | Top Cover Cap (With Intake Holes), 48 | JC-0876-48 | 1 | | AC-EA048-20, AC-EA096-20 |
| | Top Cover Cap (With Intake Holes), 60 | JC-0876-60 | 1 | | AC-EA060-20, AC-EA120-20 |
| 10 | Screw-Down Cord grip (1.08") - Panel Mount | JC-0840-XX | 1 | | All |
| 11 | PLC (Modbus) | JM-0615-XX | 1 | Basic Control | All |
| | PLC (Modbus) | JM-0610-XX | 1 | Advanced Control | All |
| 12 | Power Unit - SST-24VDC-50W | JA-0775-SA | 1 | | All |
| 13 | Relay - For DIN Rail | JC-0827-AA | 1 | | All |
| 14 | Terminal Block | JC-0828-DD | | | |
| 15 | Analog To PWM Convertor | | | | |
| 16 | Transformer 100VA, 208V / 24V | JL-0778-AC | 1 | | All |
| 18 | Midget Fuse Block of Three | JC-0832-YY | 1 | | AC-EA036-20, AC-EA042-20, AC-EA048-20, AC-EA060-20, AC-EA072-20, AC-EA084-20, AC-EA096-20 |
| | Midget Fuse Block of One | JC-0832-WW | 1 | | AC-EA108-20, AC-EA120-20 |
| | Fuse Block of Two (60A) | JC-0833-WW | | | AC-EA108-20, AC-EA120-20 |
| 19 | Fuse | | 1 | | All |
| 20 | Power Distribution Block - 150A | JC-0805 | | | All |
| 23 | Disconnect Switch 3-Pole, 25 Amp (Panel Mount) | JC-0824-XX | | | AC-EA036-20, AC-EA042-20, AC-EA048-20, AC-EA060-20, AC-EA072-20, AC-EA084-20, AC-EA096-20 |
| | Disconnect Switch 3-Pole, 40 Amp (Panel Mount) | JC-0825-MM | | | AC-EA108-20, AC-EA120-20 |

→ Replacement Parts List

Schwank Epic14 Series Air Curtain - Electric-Heated



| Item | Description | Part # | QTY | Notes | Model # |
|------|--|------------|-----|---------------------------------|---|
| 1 | Front Shield, 36" | JC-0871-36 | 1 | | AAC-EE036-XX, AC-EE072-XX, AC-EE108-XX |
| | Front Shield, 37" | JC-0871-37 | 1 | 108" Middle Front Shield | AC-EE108-20, AC-EE144-XX |
| | Front Shield, 42" | JC-0871-42 | 1 | 108" & 144" Middle Front Shield | AC-EE042-XX, AC-EE084-XX |
| | Front Shield, 48" | JC-0871-48 | 1 | | AC-EE048-XX, AC-EE096-XX |
| | Front Shield, 60" | JC-0871-60 | 1 | | AC-EE060-XX, AC-EE120-XX |
| 2 | Front Cover (NO INTAKE HOLES), 36" | JC-0872-36 | 1 | | AC-EE036-XX, AC-EE072-XX, AC-EE108-XX, AC-EE144-XX |
| | Front Cover (NO INTAKE HOLES), 42" | JC-0872-42 | 1 | Top Intake Only | AC-EE036-XX, AC-EE072-XX, AC-EE108-XX |
| | Front Cover (NO INTAKE HOLES), 42" | JC-0872-42 | 1 | | AC-EE042-XX, AC-EE084-XX |
| | Front Cover (NO INTAKE HOLES), 48" | JC-0872-48 | 1 | | AC-EE048-XX, AC-EE096-XX |
| | Front Cover (NO INTAKE HOLES), 60" | JC-0872-60 | 1 | | AC-EE060-XX, AC-EE120-XX |
| 2 | Front Cover (WITH INTAKE HOLES), 36" | JC-0873-36 | 1 | Front Intake Only | AC-EE036-XX, AC-EE072-XX, AC-EE108-XX |
| | Front Cover (WITH INTAKE HOLES), 42" | JC-0873-42 | 1 | | AC-EE042-XX, AC-EE084-XX, AC-EE144-XX |
| | Front Cover (WITH INTAKE HOLES), 48" | JC-0873-48 | 1 | | AC-EE048-XX, AC-EE096-XX |
| | Front Cover (WITH INTAKE HOLES), 60" | JC-0873-60 | 1 | | AC-EE060-XX, AC-EE120-XX |
| 3 | Bottom Cover, 36" | JC-0870-36 | 1 | | AC-EE036-XX, AC-EE072-XX, AC-EE144-XX |
| | Bottom Cover, 42" | JC-0870-42 | 1 | | AC-EE042-XX, AC-EE084-XX, AC-EE144-XX |
| | Bottom Cover, 48" | JC-0870-48 | 1 | | AC-EE048-XX, AC-EE096-XX |
| | Bottom Cover, 60" | JC-0870-60 | 1 | | AC-EE060-XX, AC-EE120-XX |
| 4 | EC Motor (Dual Shaft) | JC-0810-XX | 1 | | All |
| | EC Motor (Single Shaft) | JC-0812-XX | 1 | | AC-EE060-XX, AC-EE120-XX |
| 5 | Impeller - Right | JC-0851-XX | 1 | Right | All |
| | Impeller - Left | JC-0853-XX | 1 | Left | All |
| 6 | Electric Heating Element-208V | JC-0806-20 | 1 | 208V | All 208V Heated Models |
| | Electric Heating Element-480V | JC-0806-48 | 1 | 480V | All 480V Heated Models |
| | Electric Heating Element-600V | JC-0806-60 | 1 | 600V | All 600V Heated Models |
| 7 | High Limit Temp Limit Switch | JC-0830-XX | | | All |
| 8 | Top Cover Cap (With Intake Holes),36 | JC-0876-36 | 1 | Top Intake Only | AC-EE036-XX, AC-EE072-XX, AC-EE108-XX |
| | Top Cover Cap (With Intake Holes),42 | JC-0876-42 | | | AC-EE042-XX, AC-EE084-XX, AC-EE144-XX |
| | Top Cover Cap (With Intake Holes),48 | JC-0876-48 | | | AC-EE048-XX, AC-EE096-XX |
| | Top Cover Cap (With Intake Holes),60 | JC-0876-60 | | | AC-EE060-XX, AC-EE120-XX |
| 9 | Screw-Down Cord grip (1.50") - Panel Mount | JC-0841-XX | 1 | | All |
| 10 | Screw-Down Cord grip (1.08") - Panel Mount | JC-0840-XX | 1 | | All |
| 11 | PCB | JC-0802-XX | 1 | Basic Control | All |
| | PLC (Modbus) | JM-0610-XX | 1 | Advanced Control | All |
| 12 | Power Unit-SST-24VDC-50W | JA-0775-SA | 1 | | All |
| 13 | Relay - For DIN Rail | JC-0827-AA | 1 | | All |
| 14 | Terminal Block | JC-0828-DD | | | All |
| 15 | Analog To PWM Convertor | | | Advanced Control | All |
| 16 | Transformer 100VA, 208V / 24V | JL-0778-AC | 1 | | All |
| 17 | Contact_3-poles_600V/25 Amp | JC-0821-XX | 1 | | All |
| 18 | Midget Fuse Block of Three | JC-0832-YY | 1 | | AC-EE036-XX, AC-EE042-XX, AC-EE048-XX, AC-EE060-XX, AC-EE072-XX, AC-EE084-XX, AC-EE096-XX |

| Item | Description | Part # | QTY | Notes | Model # |
|------|--|------------|-----|-------|--|
| | Midget Fuse Block of One | JC-0832-WW | | | AC-EE108-XX, AC-EE120-XX |
| | Fuse Block of Two (60A) | JC-0833-WW | | | AC-EE108-XX, AC-EE120-XX |
| 19 | Fuse | | 1 | | All |
| 20 | Power Distribution Block-150A | JC-0805-MM | | | AC-EE036-XX, AC-EE042-XX, AC-EE048-XX, AC-EE060-XX, AC-EE072-XX, AC-EE084-XX, AC-EE096-XX |
| | Power Distribution Block-175A | JC-0805-XX | | | AC-EE108-XX, AC-EE120-XX |
| 21 | Fuse | | | | |
| 22 | Fuse Block of Three (60A) | JC-0833-WW | | | All |
| 23 | Disconnect Switch 3-Pole, 25 Amp (Panel Mount) | JC-0824-XX | | | AC-EE036-XX, AC-EE042-XX, AC-EE048-XX, AC-EE060-XX, AC-EE072-XX, AC-EE084-XX, AC-EE096-XX |
| | Disconnect Switch 3-Pole, 40 Amp (Panel Mount) | JC-0825-MM | | | AC-EE108-XX, AC-EE120-XX |

EN

- Read the safety instructions before performing installation and/or maintenance activities on the unit.
- Installation and/or maintenance activities on the unit may only be performed by qualified technical staff.
- The unit shall not be installed and used outdoors or in environments that are aggressive, or potentially explosive. At installation site make sure surrounding environment does not require higher IP classification of the equipment than what is stated on the data label of the unit.
- The unit must be connected in accordance with the applicable local requirements. Make sure that the unit's power supply voltage matches the local mains voltage. The unit's power supply voltage and maximum ratings are displayed on the data label placed on the unit.
- The unit shall be fused according to the table below.
- See also "Safety" on the English pages.

FR

- Veuillez lire les consignes de sécurité avant d'installer l'unité ou d'en effectuer l'entretien.
- L'installation ou l'entretien de l'unité doivent être effectués par un technicien qualifié seulement.
- L'unité ne doit pas être installée et utilisée à l'extérieur ou dans un environnement hostile ou potentiellement explosif. Au site d'installation, veuillez vous assurer que le milieu environnant n'exige pas une classification IP de l'équipement supérieure à ce qui est indiqué sur l'étiquette de données de l'unité.
- L'unité doit être branchée conformément aux exigences locales applicables. Veuillez vous assurer que la tension d'alimentation de l'unité correspond à la tension de secteur locale. La tension d'alimentation de l'unité et les calibres maximums sont indiqués sur l'étiquette de données placée sur l'unité.
- L'unité doit être protégée par un fusible conformément au tableau ci-dessous.

EN: Maximum Amperage on L1, L2 or L3 (A)

FR: Intensité de courant électrique maximale pour L1, L2 ou L3 (A)

≤ 10A

≤ 15A

≤ 25A

≤ 30A

≤ 50A

≤ 70A

≤ 90A

≤ 130A

EN: Maximum fuse value (A)

FR: Calibre maximum du fusible (A)

16A

20A

30A

40A

60A

80A

100A

150A

→ Troubleshooting Guide

| Problems | Possible Causes | Solutions |
|---|---|---|
| Non-Operational | No Power from Power Source | Ensure power line is active and ON |
| | Failed Switch | Replace Failed Switch |
| | Blown Fuse | Determine Root Cause then replace fuse |
| | Motor Safety Tripped | Built-in motor safety switch, will reset automatically after cool down. Replace motor if it does not reset. |
| No Air / Minimal Air | Negative Building Pressure | Add Makeup Air Units to improve building pressure |
| | Air Intake or Filter Clogged | Clean / Un-Clog Filter – Follow maintenance section |
| | Air Nozzle | Adjust nozzle to correct angle – Ensure there is no obstruction |
| | Manual Low Air Speed | Ensure the unit is set to Max Recommended Speed |
| Continuous ON (Unit Not Turning off) | Door Switch is stuck or permanently energized | Return the door switch to normal operation positions – If not returning with normal pressure, replace door switch. |
| | Continuous operation Mode: ON | Turn OFF continuous mode from controller |
| Excessive Noise / Vibration | Blower wheel loose on motor shaft. | Tighten screw connecting blower wheel and motor shaft |
| | Loose blower Housing | Tighten Housing on Fan Deck |
| | Blower Rubbing against Housing | Replace Motor if Motor Shaft Bent / Adjust blower location on shaft if rubbing with corners of housing |
| | Damaged Blower | Replace Blower Wheel |
| | Dirty Blower Wheel | Remove the front screen and clean the blower wheels – If necessary, remove the blowers and clean. |
| Uneven Airflow | One Motor not Operating | Replace or Fix the Motor |
| | Shaft Not Turning Blower Wheel | Tighten the Blower Hub Screw |
| Excessive Air Spill | Incorret nozzle angle | Adjust nozzle angle for best setting – 15 Degress towards outside is most optimal (also depends on wind condition) |
| No Heat / Minimal Heat | Improper Connection (Voltage) | Must be wired to Three Phase 208V or 480V or 600V |
| | Thermostat | Tstat Set Point Achieved (ambient conditions) / Tstat Malfunction or wiring |
| | Coils Malfunction | Replace Heating Coil |
| | Contactors not functioning | Replace or Repair Contactors |
| | Thermal Safety Switch | Automatically resets twice and if the thermal safety switch still trips, find the root cause and replace the switch |
| Excessive Heat | TStat in wrong location | Relocate the thermostat close to the unit for actual temperature and away from air stream |
| | Tstat Configured Wrong | Reset Tstat and adjust for the correct temperature |

Installation and operating instructions

Important Instructions

When using electrical appliances, basic precautions should always be followed to reduce the risk of fire, electric shock, and injury to persons, including the following:

- Read all instructions before installing or using this heater.
- This heater is hot when in use. To avoid burns, do not let bare skin touch hot surfaces. Keep combustible materials, such as furniture, pillows, bedding, papers, clothes, etc., and curtains at least 6 feet (1.83 m) from the discharge of the heater and keep them away from the sides and rear (sides and rear restrictions apply to location dedicated heaters only).
- Extreme caution is necessary when any heater is used by or near children or invalids and whenever the heater is left operating and unattended.
- Do not operate any heater after it malfunctions. Disconnect power at the service panel and have the heater inspected by a reputable electrician before reusing it.
- Do not use outdoors.
- To disconnect the heater, turn the controls off, and turn off the power to the heater circuit at the main disconnect panel (or operate the internal disconnect switch if provided)
- Do not insert or allow foreign objects to enter any ventilation or exhaust opening as this may cause an electric shock, fire, or damage to the heater.
- To prevent a possible fire, do not block air intake or exhaust in any manner.
- A heater has hot and arcing or sparking parts inside. Do not use it in areas where gasoline, paint, or flammable vapors or liquids are used or stored.
- Use this heater only as described in this manual. Any other use not recommended by the manufacturer may cause fire, electric shock, or injury to persons.
- This heater may include an audible or visual alarm to warn that parts of the heater are getting excessively hot. If the alarm sounds (or illuminates), immediately turn the heater off and inspect for any objects on or adjacent to the heater that may have blocked the airflow or otherwise caused high temperatures to have occurred. **DO NOT OPERATE THE HEATER WITH THE ALARM SOUNDING (OR ILLUMINATING).**

General Instructions

Please read these instructions before installing this product. Save this I&O manual for later reference.

This product should only be installed and operated as directed by the manufacturer. Any use other than specified will lead to the warranty being null and Void.

Inadequate installation presents a risk of electric shock, the possibility of injury through contact with moving parts, and other potential risks.

This product should only be installed by qualified individual(s). These instructions should be well understood by installing personnel, and they should be aware of general safety considerations.

Warning

TO REDUCE THE RISK OF FIRE, ELECTRIC SHOCK, OR INJURY TO PERSONS, OBSERVE THE FOLLOWING:

- Before installing or using this product carefully read the instructions.
- The product should only be installed and operated as directed by the manufacturers.
- For installation, a qualified and experienced individual(s) are needed.
- Installation should be carried out in accordance with all applicable codes and standards, including fire-rated construction.
- Installing the device in a wet environment or an excessive amount of moisture is not permitted.
- When cutting or drilling into a wall or ceiling. Avoid damage electrical wiring and other hidden utilities.
- Power sources should always be disconnected, locked and tagged before being installed or serviced.
- Use the unit at the rated voltage and frequency indicated on the nameplate.
- Routine maintenance is required as suggested by manufacturer to maintain peak performance and efficiency.
- When in operation, this product gets hot. Avoid touching hot surfaces. Allow to cool off before performing any maintenance to prevent burns.

SAVE ABOVE INSTRUCTIONS

- Combustible items should be kept at least 6 feet away from the air curtain's discharge and 1 inch away from the air curtain's other sides. Combustible items should be kept at least 6 feet away from the air curtain's discharge and 1 inch away from the air curtain's other sides.
- To reduce the risk of fire, do not store or use gasoline or other flammable vapors and liquids in the vicinity of the heater.
- Do not obstruct the air intake or air curtain discharge in any way to avoid a potential fire.
- No foreign items should be inserted or allowed to pass through any ventilation or discharge openings since this might result in damage to the air curtain, an electric.

Packaging

The unit's packaging protects the product from any damage to the unit including scratches. The packaging also facilitates ease of transportation.

Important

- Immediately after receiving your air curtain, look for any damage to the unit and Inform manufacturer immediately.
- Schwank is not liable for any damage claims post installation or due to negligence.
- The unit's serial number is found on the unit and is required to obtain replacement components, request technical help, or get a wiring schematic.

Application area

Schwank Epic14 Series Air Curtain is designed to create an environmental separation in any door opening that is between 3 feet and 12 feet wide, by providing both temperature control and flying insect control when building doors are open.

The recommended mounting height is 14 feet. The unit should be positioned on the inside of the facility, flush to the wall, and as near the top or side of the door opening as possible to provide the optimum shield. The Epic14 Series air curtain is available in both Ambient and Electric Heated models.

Operation

The unit must extend or overlap to the entire width of the door opening to create the most effective seal. The unit's door opening is shielded, and heat loss is reduced by air being pulled in through the air curtain's grille at the top or front of the air curtain and blown out through the unit's opening creating a barrier. Keep obstructions out of the air stream to maintain optimum performance. The air blown through the opening can be directed using the adjustable nozzle at the opening.

The air temperature, the pressure differential across the entryway, and any wind load all affect how effective the air curtain is. If the building has negative air pressure, the air curtain will not operate effectively. In these circumstances, a mechanism of supplying makeup air to the building is necessary to maintain equal air pressure on both sides of the entrance.

Electrical installation

The installation, which should be preceded by an isolator switch with a contact separation and should only be wired by a licensed electrician and in accordance with NEC and the local electrical codes and regulations. The control system is pre-installed in the air curtain with an integrated PLC (see Fig. 2).

The controller is supplied pre-programmed with quick-fit connections. Modular cables are connected to the control board. See manual for controller.

Unit with electrical heating

For 208V3~ power, the electrical connection is made at the panel mounted main disconnect. See Fig.2.

For 480V3~/600V3~ power supply for heat is provided on the 3-way Terminal block. The motors/control power is connected to a 2-way terminal block from 208V2~, supplied by either a 600/480V stepdown transformer or from the building main electrical panel.



Note! If you want to divide the output between two connection points, the series cabling must first be removed (72" & 96" Electric Heated, 2x480V3~/600V3~).

- 480V3~/ 600V3~ Control supply is transformed via external transformer to 208V~ and routed to the Air Curtain.
- 208V3~ Control supply is connected internally through 2x 25A.

The largest cable diameter for the disconnect switch is 4 core, #2 AWG each. The cable glands used must meet the protection class requirements. In the distribution board it is indicated that" the air curtains can be supplied from more than one connection.

See wiring diagrams.

Start-up (VE)

When the unit is used for the first time or after an extended period of non-use, smoke or an odor may result from dust or dirt which has collected on the element. This is completely normal and disappears after a brief time.

Adjustment of the nozzle

The direction and speed of the airflow should be adjusted considering the load on the opening. Pressure forces affect the airstream and force it inwards towards the premises (when the premises are heated, and the outdoor air is cold).

The airstream should, therefore, be directed outwards to withstand the load. The higher the load, the greater the angle required.

Basic setting fan speed

The fan speed when the door is open is set using the control. Note that the airflow direction and the fan speed may need fine adjustment depending on the loading of the door.

Filter (VW)

Optional Metal Washable filters are available with both Heated and Ambient units.

Service, repairs, and maintenance for all service, repair and maintenance first carry out the following:

1. Turn off the disconnect Switch.
2. Disconnect the power supply.
3. Open the front shields by removing the screws to access the electronics.
4. After service, repairs and maintenance fasten the service hatch and the front.

Maintenance

All units

Since fan motors and other components are maintenance-free, no maintenance other than cleaning is necessary. The level of cleaning can vary depending on local conditions. It is recommended to clean every 6 Months (individual conditions may vary).

General Air Curtain Maintenance steps are as follows:

- Regularly inspect the air curtain for any visible signs of damage or wear, such as frayed or loose wires, bent or broken components, or damaged blades.
- Clean the air curtain regularly to remove any dust, dirt, or debris that may have accumulated on the unit. This can typically be done by wiping the unit down with a clean, dry cloth or using a soft-bristled brush to gently remove any dirt or debris.
- Check the air filter regularly and replace it if it is dirty or damaged. A dirty air filter can reduce the efficiency of the air curtain and may need to be replaced more frequently.
- Check the airflow of the air curtain and make sure it is operating at the correct speed and pressure. If the airflow is too low or too high, it can affect the effectiveness of the air curtain.
- If the air curtain is not working properly or is not functioning at all, it may need to be serviced or repaired. In this case – follow troubleshooting steps listed in the manual. It is best to consult the manufacturer or a professional technician for assistance.

Overheating

The air curtain unit with electrical heating is equipped with overheating protection. If it is deployed due to overheating, reset as follows:

1. Disconnect the electricity supply with the fully isolated switch.
2. Allow the electrical coil to cool.
3. Determine the cause of overheating and rectify the fault.
4. Reconnect the air curtain.

All EC motors are equipped with an integral thermal safety cut-out. This will operate, stopping the air curtain should the motor temperature rise too high. The cut-out will automatically reset when the motor temperature has returned to within the motor's operating limits.

Fan replacement

1. Determine which of the fans is not functioning.
2. Disconnect the cables from the relevant motor on the fan deck.
3. Remove the screws securing the fan deck and lift the fan deck out.
4. Install the new fan deck as above in reverse order.

Replacing heating elements (VE)

1. Disconnect and remove the fan deck
2. Mark and disconnect the cables to the electric elements.
3. Remove the mounting screws securing the electric elements in the unit and remove the faulty element.
4. Replace faulty electric element.
5. Install the electric elements in reverse order to the above.

Residual current circuit breaker (GFI)

When the installation is protected by means of a residual current circuit breaker, which trips when the appliance is connected, this may be due to moisture in the heating element. When an appliance containing a heater element has not been used for an extended period or stored in a damp environment, moisture can enter the element.

This should not be seen as a fault but is simply rectified by connecting the appliance to the main supply via a socket without a safety cut-out so that the moisture can be eliminated from the element. The drying time can vary from a few hours to a few days. As a preventive measure, the unit should occasionally be run for a brief time when it is not being used for extended periods of



LIMITED WARRANTY CERTIFICATE

Warranty Schwank Air Curtain Epic14 Series Air Curtains

The Manufacturer warrants that this product is free from defects in material or workmanship under normal use and service subject to the terms of this document.

Limited Warranty

Subject to the conditions and limitations stated herein, during the term of this limited warranty, we will supply any component part (at our option a new or repaired component part) of the air curtain as defined below, which the Manufacturer's examination determines to be defective in workmanship or material for a period of five (5) years for Ambient (Unheated Models) and 18 Months (Electric heated models) from the from the date of shipment, unless otherwise specified below. This warranty applies to the air curtain's original owner, and subsequent transferees and only if the unit is installed, operated, and maintained in accordance with the printed instructions accompanying the unit and in compliance with all applicable installation codes and good trade practices.

What is not covered

The Manufacturer shall not be responsible for any expenses, including service, labor, diagnosis, analysis, material or transportation charges incurred during removal or reinstallation of this product, or any of its components or parts. All labor or service charges shall be paid by the owner. This warranty does not cover products improperly installed, misused, exposed to or damaged by negligence, accident, corrosive or contaminating atmosphere, water, excessive thermal shock, impact, abrasion, normal wear due to use, alteration or operation contrary to the owner's manual or if the serial number has been altered, defaced or removed. This warranty shall not apply if the electrical input to the product varies by more than $\pm 10\%$ of the rated input on the rating plate. The Manufacturer shall not be liable for any default or delay in performance by its warranty caused by any contingency beyond its control, including war, government restrictions, or restraints, strikes, fire, flood, acts of God, or short or reduced supply of raw materials or products.

Limitations and Exclusions

This document contains all warranties made by the Manufacturer and may not be varied, altered or extended by any person. There are no promises, or agreements extending from the Manufacture other than the statements contained herein. THIS WARRANTY IS IN LIEU OF ALL WARRANTIES EXPRESSED OR IMPLIED, TO THE EXTENT AUTHORIZED BY THE LAWS OF THE JURISDICTION, INCLUDING SPECIFICALLY THE WARRANTIES OR MERCHANTABILITY OF FITNESS FOR A PARTICULAR PURPOSE.

It is understood and agreed that the Manufacturer's obligation hereunder is limited to repairing or replacing parts determined to be defective as stated above. In no event shall the Manufacturer be responsible for any alleged personal injuries or other special, incidental or consequential damages. As to property damages, contract, tort or other claim the Manufacturer's responsibility shall not exceed the purchase price paid for the product. All replacement parts will be warranted for the unused portion of the warranty coverage period remaining on the applicable unit.

Some Authorities do not allow certain warranty exclusions or limitations on duration of warranty or the exclusions or limitations of incidental or consequential damages. In such cases, the above limitations or exclusions may not apply to you and are not intended to do so where prohibited by law. This warranty gives you specific legal rights. You may also have other rights which vary by jurisdiction.

SCHWANK USA, INC.
SCHWANK LTD.

2 SCHWANK WAY, WAYNESBORO, GEORGIA. 30830
5285 BRADCO BLVD. MISSISSAUGA, ON, L4W 2A6

TEL: 1-877-446-3727
csr@SchwankGroup.com

Fax: 1-866-361-0523
www.schwankgroup.com

Schwank Air Curtain
WARRANTY
February 2023
RL: 1A

1-877-686-3779 (toll-free)
1-706-554-6191

csr@schwankgroup.com
schwankgroup.com/schwankair

USA

2 Schwank Way,
Waynesboro, GA
30830

Canada

5285 Bradco Blvd.,
Mississauga, ON
L4W 2A6