

KC EC - FAN

Separated type EC-FAN with a high efficiency EC motor
and a separate DRIVE on the PLUG FAN

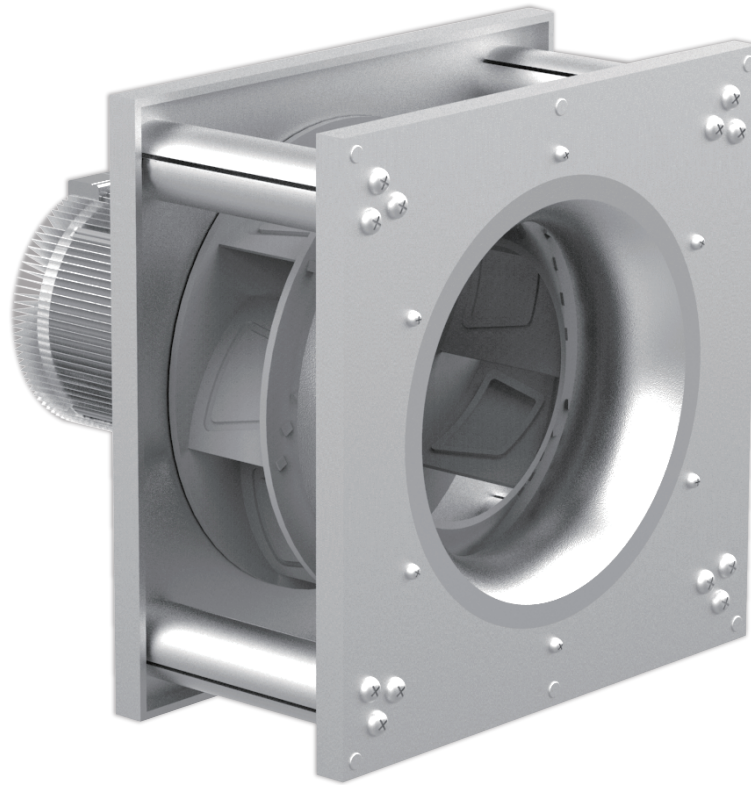


Korea Air Conditioning Engineering Company / KACECO certifies that the DLH Series - 400DLH, 450DLH and DLV Series - 400DLV and 450DLV shown herein are licensed to bear AMCA Seal. The ratings shown are based on tests and procedures performed in accordance with AMCA Publication 211 and comply with the requirements of the AMCA Certified Ratings Program.



Korea Air Conditioning Engineering Company / KACECO certifies that the DLH Series - 500DLH to 630DLH, DLV Series - 500DLV to 630DLV, DCH Series-560DCH to 710DCH, DCV Series - 560DCV to 710DCV shown herein are licensed to bear AMCA Seal. The ratings shown are based on tests and procedures performed in accordance with AMCA Publication 211 and AMCA Publication 311 and comply with the requirements of the AMCA Certified Ratings Program.





KC EC - FAN

EC-FAN consists of a high-efficiency EC motor, drive and plug fan, providing a detachable EC motor that reduces maintenance costs and improves serviceability because only defective parts among motors, drives, and fans can be replaced.

Plug fan maximizes energy efficiency and enables low-noise operation.

EC motors are higher than IEC5 rated motors and can achieve THD(i) <3% when using drives with built-in active harmonic filters.

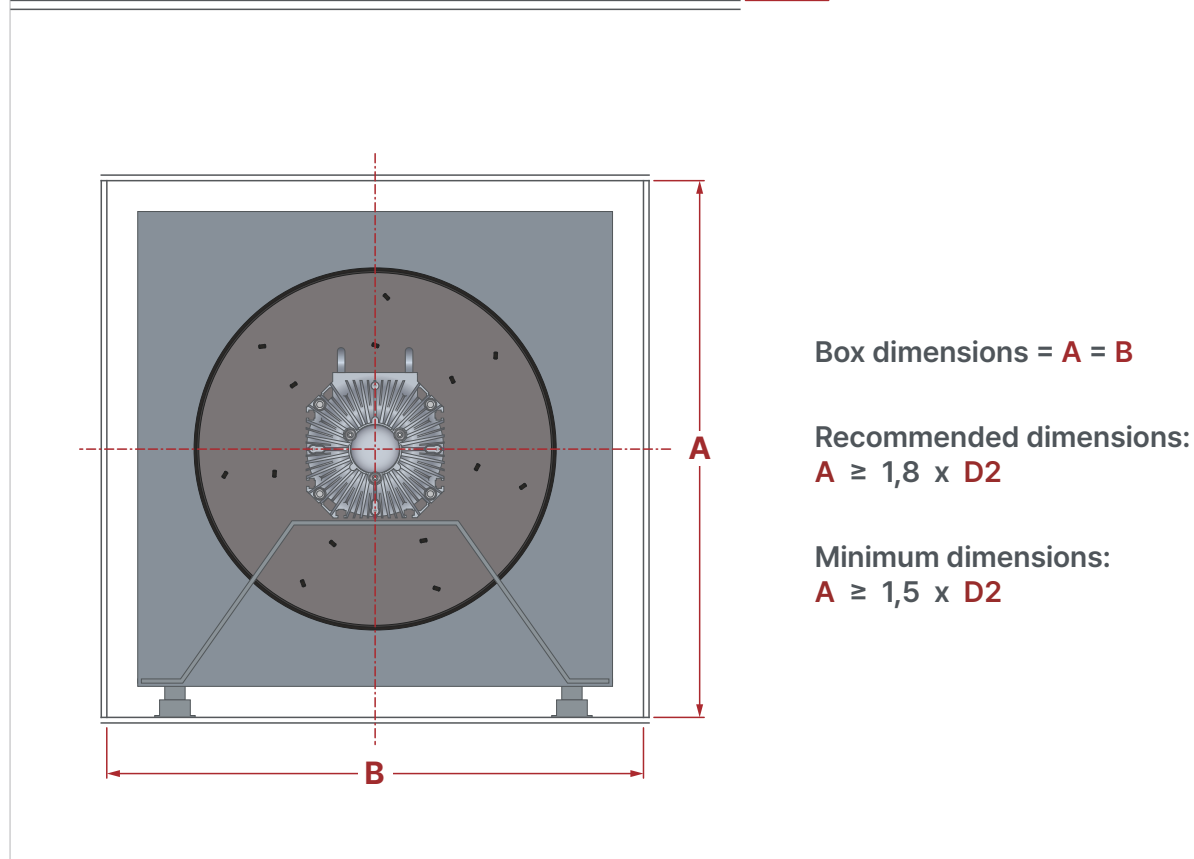
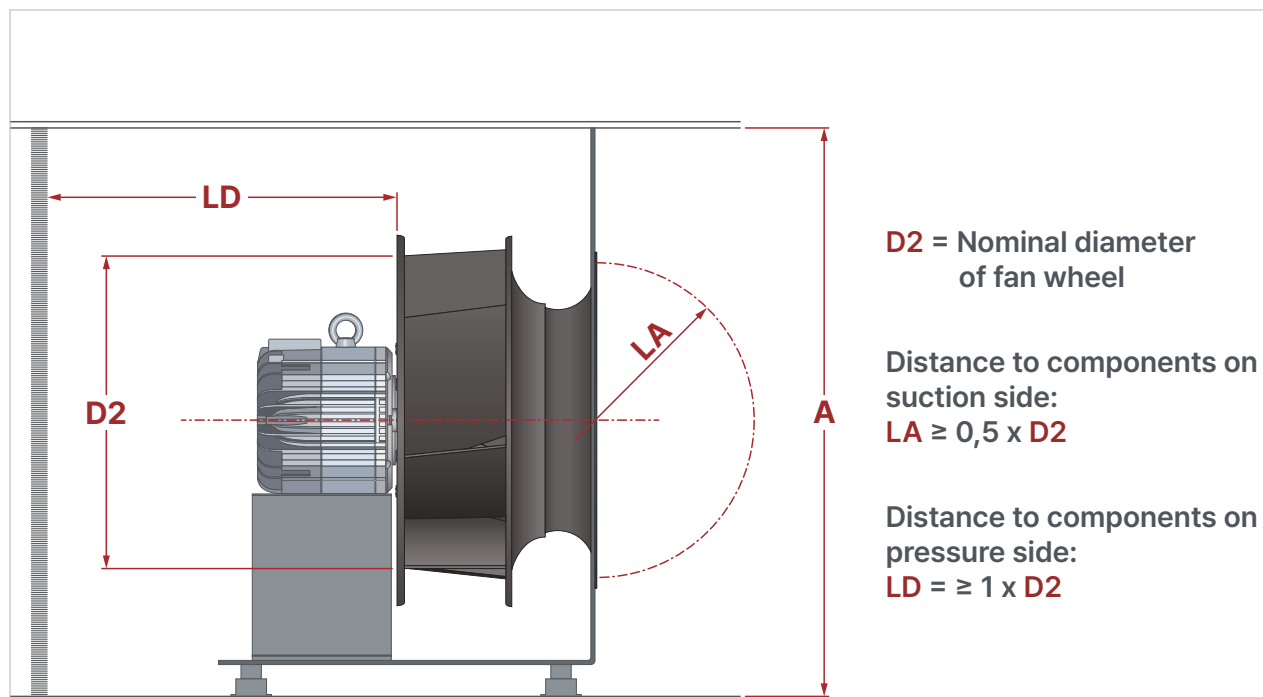
FEATURE

- Low harmonic distortion
- Low noise and no dust
- Low carbon dioxide emissions(Eco-friendly)
- High serviceability due to detachable EC motor
- Reducing maintenance costs by replacing only broken parts
- High-efficiency EC motor and fan resulted in reducing fan quantity and equipment size

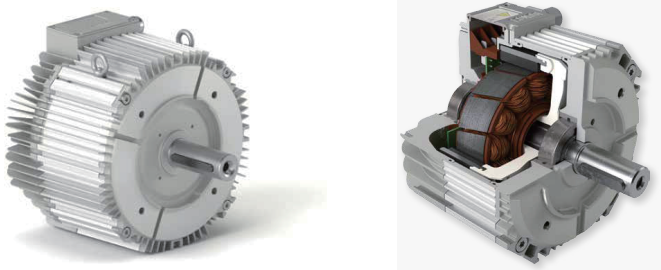
FITTING INSTRUCTION

Minimum distances to other components

Installing the fan in a box may result in reduced air performance compared to the best achievable performance, which is determined at free-blowing or unhooded conditions. Please follow these installation instructions to avoid losses in air performance.



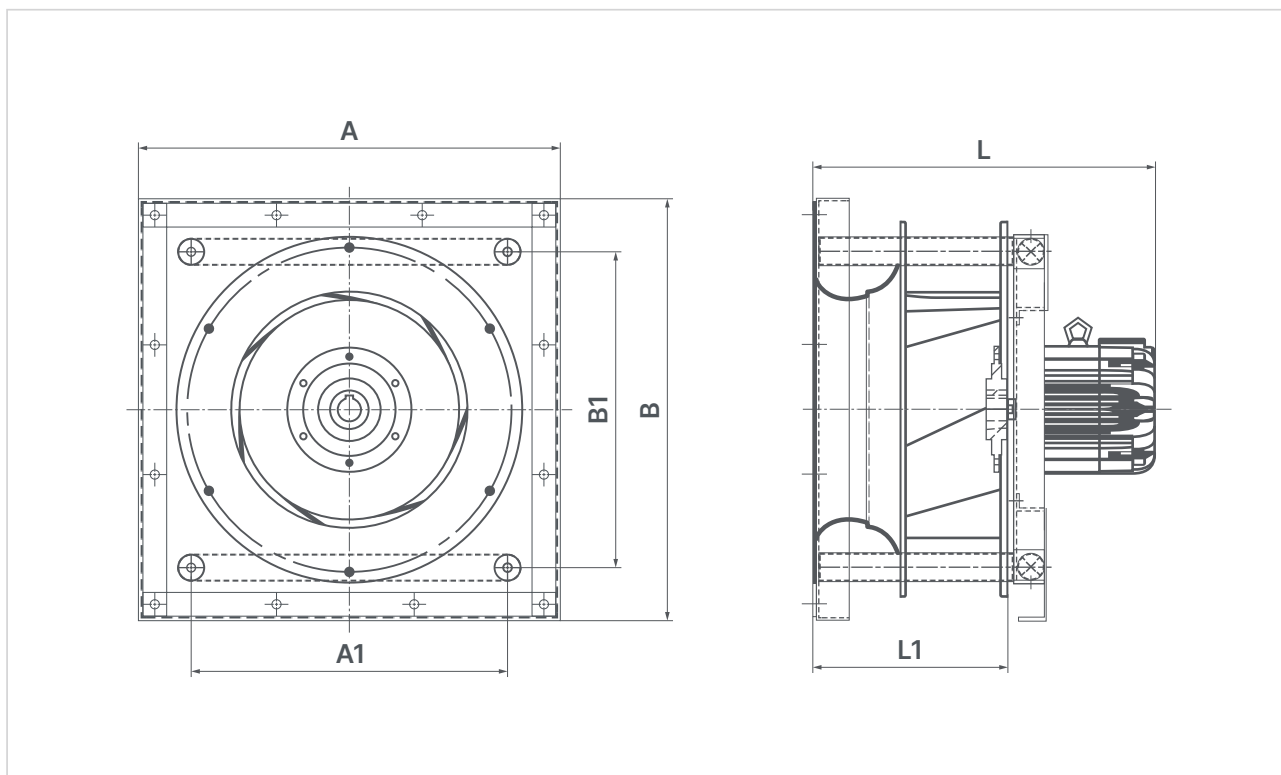
EC MOTER SPEC [AZ, ZZ SERIES]

	AZ, ZZ SERIES
IMAGE	
TORQUE	from 1,5 Nm to 66 Nm / from 1.0 Ft-Lb to 49 Ft-Lb
EFFICIENCY	all motors exceed IE5 Ultra Premium efficiency class
SPEED	variable nominal speeds
SUPPLY VOLTAGE	110-115 VAC, 208-240 VAC, 380-480 VAC
DUST AND HUMIDITY PROTECTION	IP54 or IP65 (with additional sealing)
AMBIENT TEMPERATURE	between -40 °C and +40 °C* / between -40 °F and +120 °F *
INSULATION CLASS	180 (H)
TEMPERATURE RISE CLASS	80 (B)
MOUNTING	B14, B3
ASSEMBLY	in Slovenia (European Union); ISO 9001, ISO 14001 and ISO/TS 16949 certified
CERTIFICATION	CE, UL/CSA
HIGHLIGHTS	<ul style="list-style-type: none"> · extremely high efficiency up to 95% · very high efficiency throughout the entire operating area · use of non-rare earth magnets (ferrite magnets) · highest quality with long lifetime · maintenance-free operation · very low noise · low weight · compact design · improved Return On Investment (ROI) · compatible with all leading controller brands

EC MOTER SPEC [NZ SERIES]

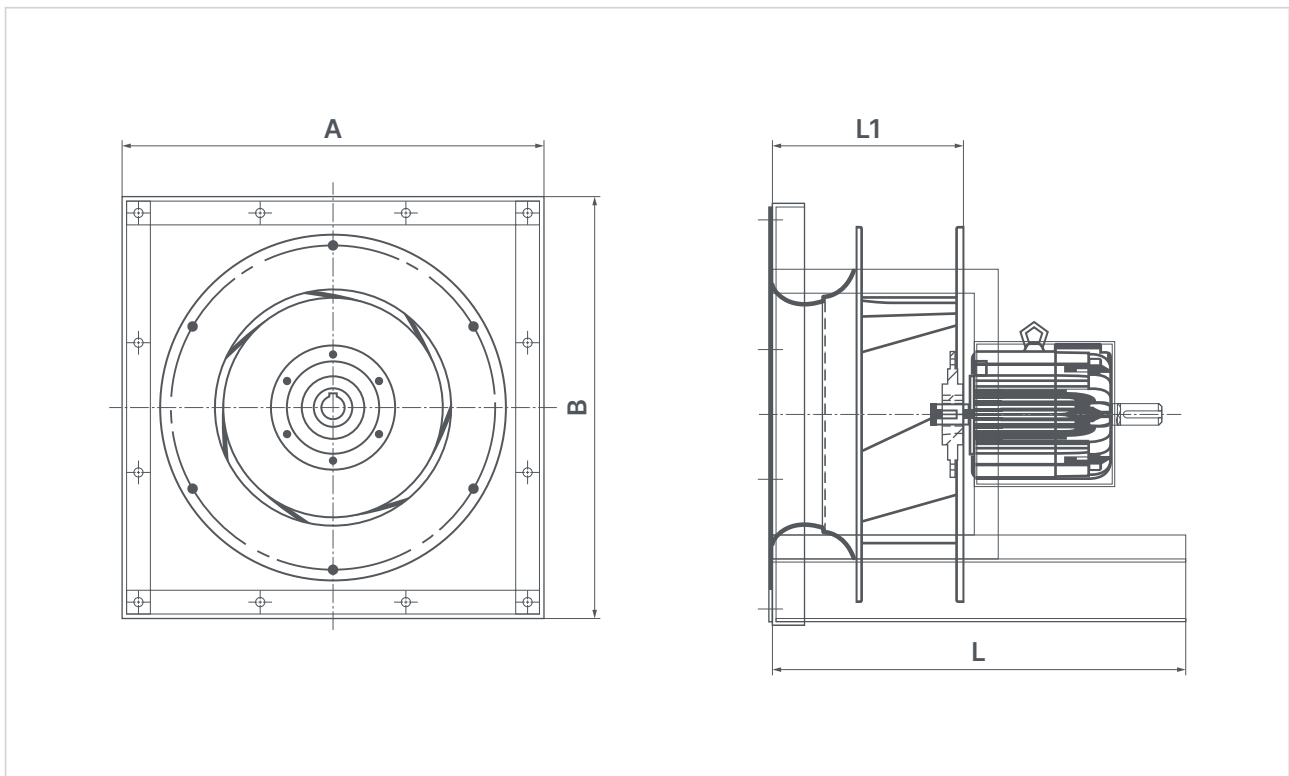
	NZ SERIES
IMAGE	
TORQUE	from 40 Nm to 140 Nm / from 30 Ft-Lb to 103 Ft-Lb
EFFICIENCY	all motors exceed IE5 Ultra Premium efficiency class
SPEED	variable nominal speeds
SUPPLY VOLTAGE	208-240 VAC, 380-480 VAC, 500-600 VAC
DUST AND HUMIDITY PROTECTION	IP54 or IP65 (with additional sealing)
AMBIENT TEMPERATURE	between -40 °C and + 40 °C * / between -40 °F and 104 °F*
INSULATION CLASS	155 (F)
TEMPERATURE RISE CLASS	80 (B)
MOUNTING	B14
ASSEMBLY	in Slovenia (European Union); ISO 9001, ISO 14001 and ISO/TS 16949 certified
CERTIFICATION	CE, UL/CSA
HIGHLIGHTS	<ul style="list-style-type: none"> · extremely high efficiency up to 96% · very high efficiency throughout the entire operating area · use of non-rare earth magnets (ferrite magnets) · highest quality with long lifetime · maintenance-free operation · very low noise · low weight · compact design · improved Return On Investment (ROI) · compatible with all leading controller brands

DIMENSIONS [VERTICAL]



SIZE MODEL	A [mm]	A1 [mm]	B [mm]	B1 [mm]	L [mm]	L1 [mm]
400DLV	510	324	510	400	410	230
450DLV	570	384	570	440	440	257
500DLV	635	449	635	505	485~492	282
560DLV	710	514	710	580	527~533	325
630DLV	800	604	800	650	581~604	365
560DCV	710	514	710	580	610~639	392
630DCV	800	604	800	650	657~716	448
710DCV	900	644	900	730	774~954	498

DIMENSIONS [HORIZONTAL]

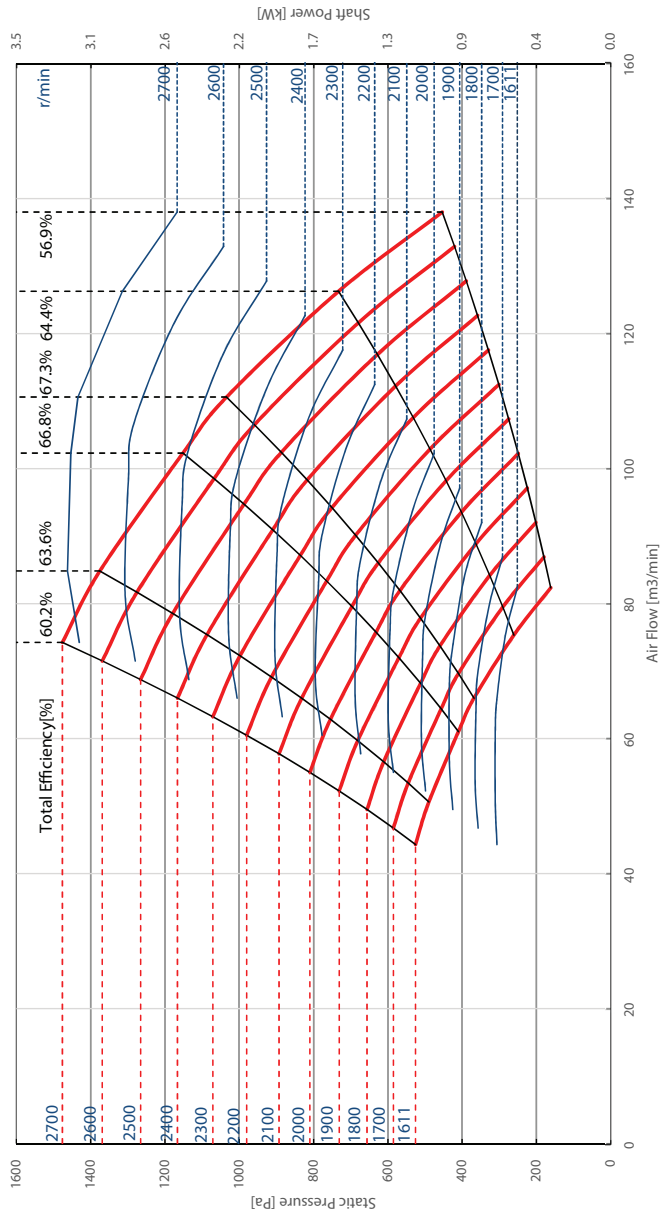


SIZE MODEL	A [mm]	B [mm]	L [mm]	L1 [mm]
400DCH	510	510	500	230
450DCH	570	570	550	257
500DCH	635	635	600	285
560DCH	710	710	700	325
630DCH	800	800	800	368
560DCH	710	710	700	390
630DCH	800	800	800	440
710DCH	900	900	900	495

PERFORMANCE CURVE [400DLH]



Performance certified is for installation type A
: free inlet, free outlet with partition, performance ratings do not include the effects of appurtenances (accessories).

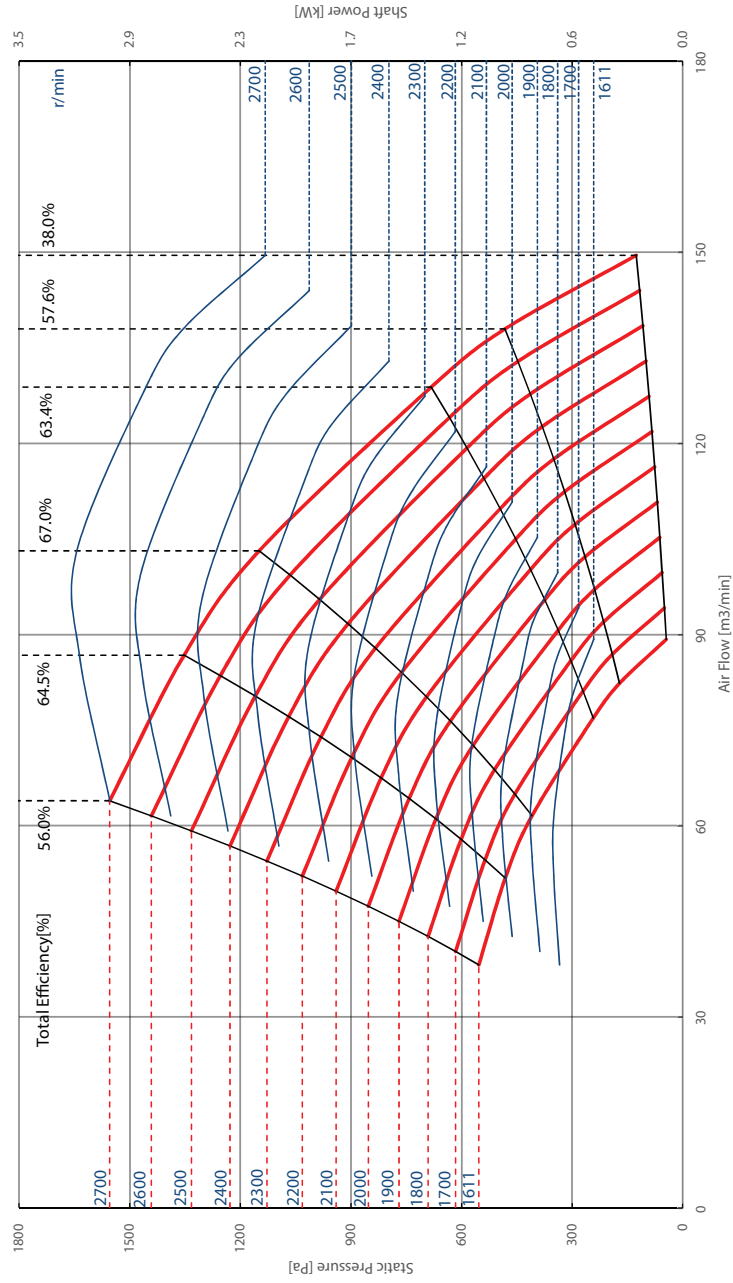


[400DLH]

PERFORMANCE CURVE [400DLV]



Performance certified is for installation type A
 : free inlet, free outlet with partition, performance ratings do not include the effects of appurtenances (accessories).

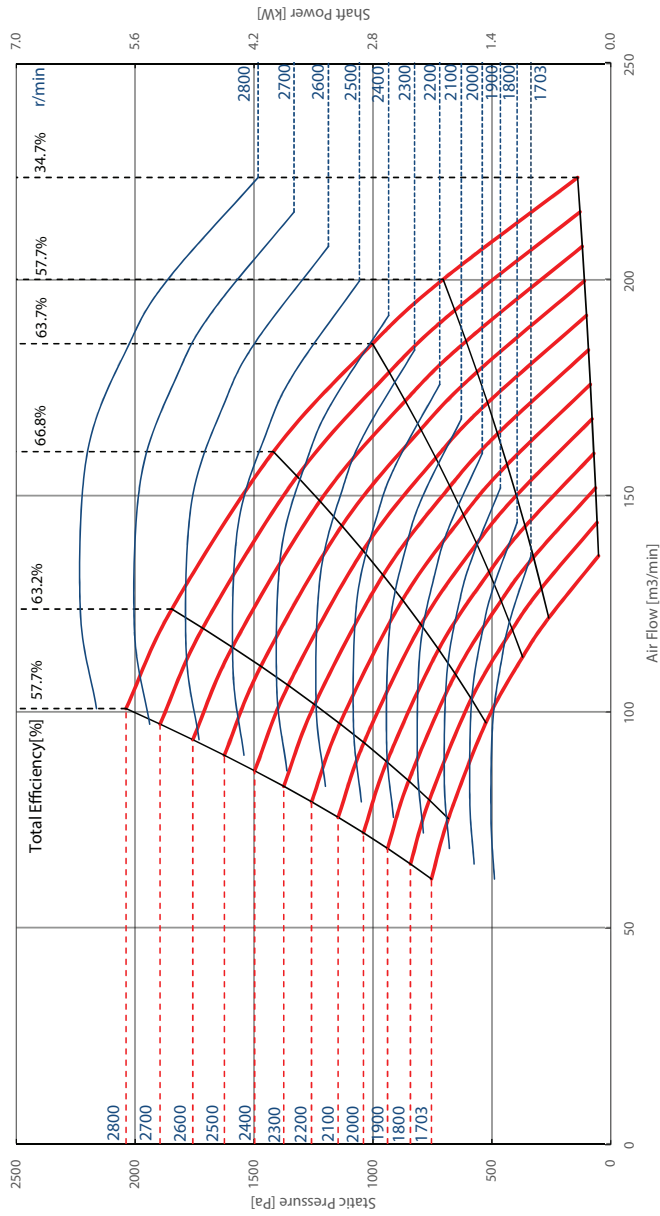


[400DLV]

PERFORMANCE CURVE [450DLH]



Performance certified is for installation type A
 : free inlet, free outlet with partition, performance ratings do not include the effects of appurtenances (accessories).

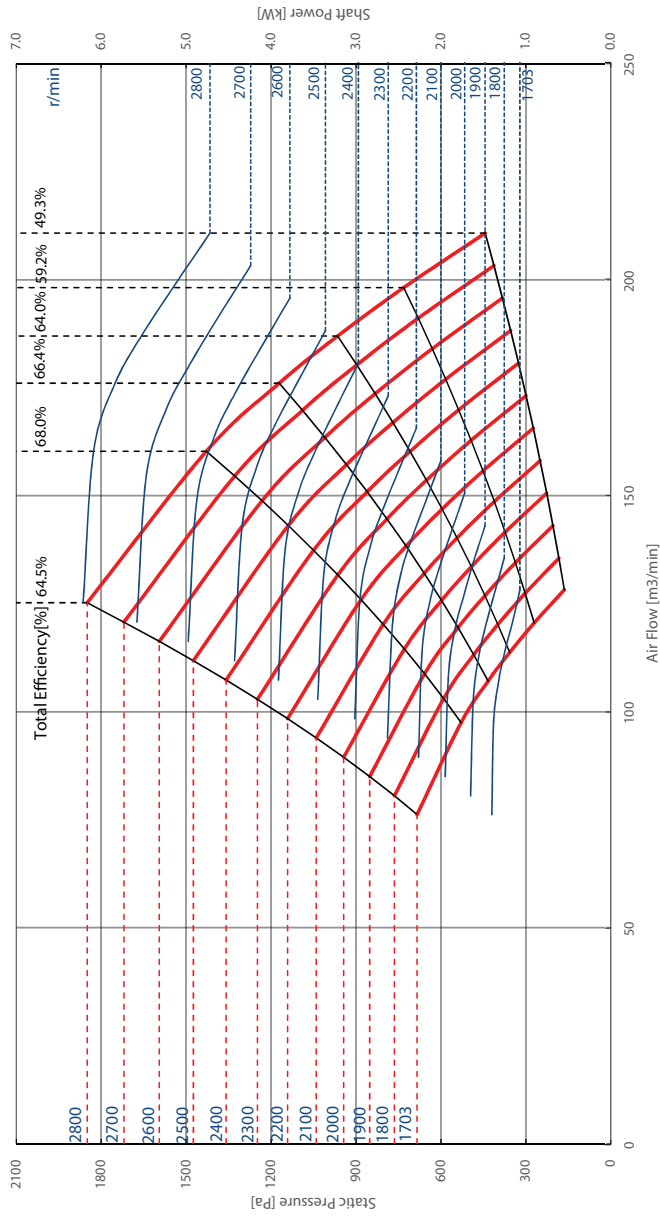


[450DLH]

PERFORMANCE CURVE [450DLV]



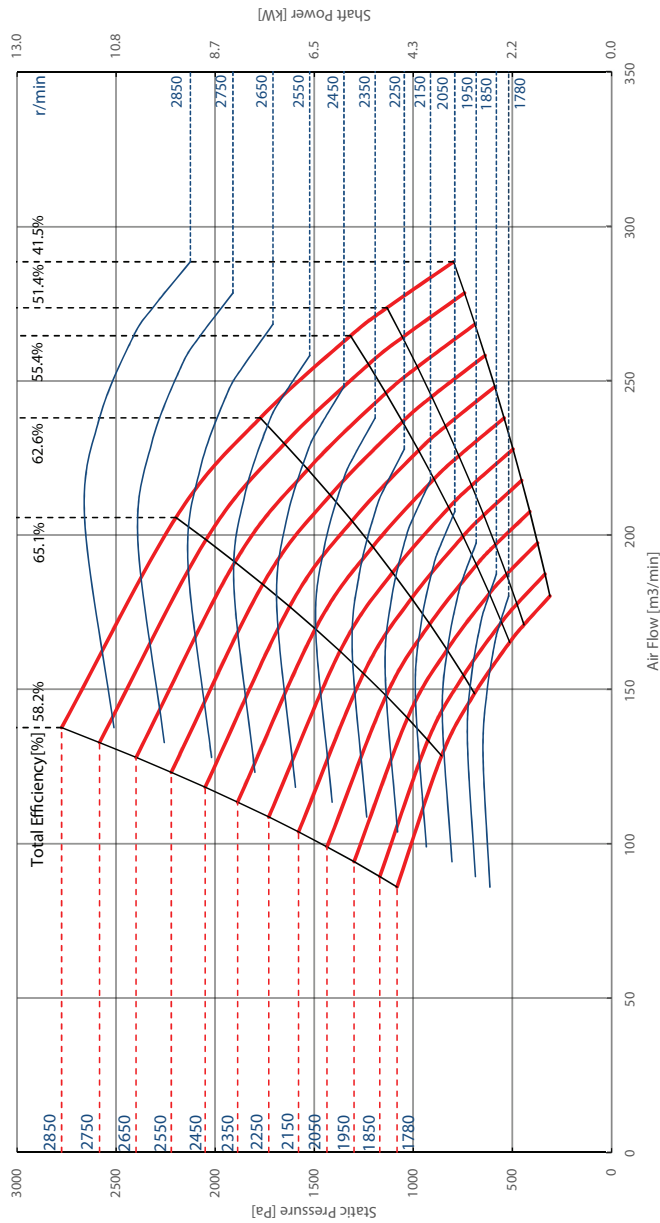
Performance certified is for installation type A
: free inlet, free outlet with partition, performance ratings do not include the effects of appurtenances (accessories).



[450DLV]

PERFORMANCE CURVE [500DLH]

Performance certified is for installation type A: free inlet, free outlet with partition.
 Performance ratings do not include the effects of appurtenances (accessories).



[500DLH]

PERFORMANCE DATA [500DLH]

Korea Air Conditioning Engineering Company / KACECO

Model : 500DLH

Outlet Area : 0.23 m²

Wheel DIA. : 521.8 mm

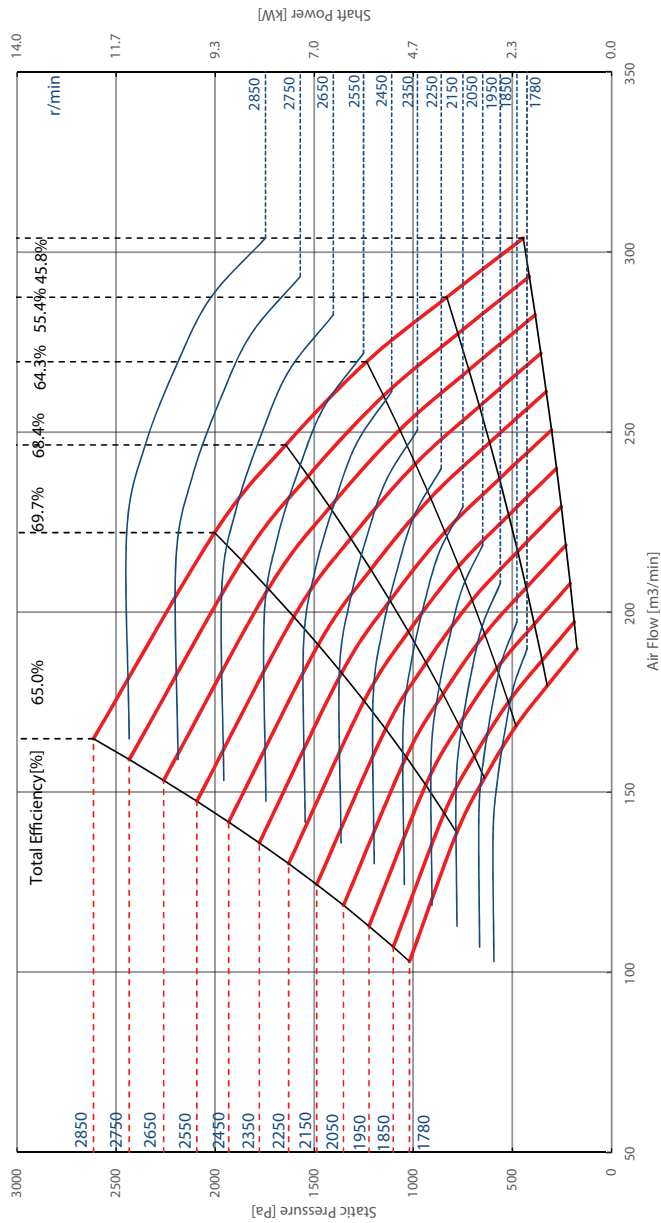
Det.	N [r/min]	Pt [Pa]	Ps [Pa]	Q [m ³ /min]	H [kW]	EtaT [%]	EtaS [%]	Lwi [dB(A)]	Det.	N [r/min]	Pt [Pa]	Ps [Pa]	Q [m ³ /min]	H [kW]	EtaT [%]	EtaS [%]	Lwi [dB(A)]
1	1780	416	311	180.25	2.25	55.6	41.5	96	1	1850	449	336	187.34	2.519	55.6	41.5	97
2		536	442	170.94	2.45	62.4	51.4	95	2		579	477	177.67	2.744	62.4	51.4	96
3		602	514	165.27	2.55	64.9	55.4	95	3		650	555	171.77	2.859	64.9	55.4	95
4		763	691	148.64	2.73	69.0	62.6	94	4		824	747	154.49	3.062	69.0	62.6	95
5		911	858	128.48	2.81	69.1	65.1	93	5		984	926	133.53	3.152	69.1	65.1	94
6		1106	1083	85.95	2.66	59.4	58.2	93	6		1195	1169	89.33	2.976	59.4	58.2	94
1	1950	499	373	197.46	2.96	55.6	41.5	98	1	2050	552	412	207.59	3.428	55.6	41.5	100
2		644	530	187.27	3.22	62.4	51.4	98	2		711	586	196.87	3.734	62.4	51.4	99
3		722	617	181.05	3.35	64.9	55.4	97	3		798	682	190.34	3.890	64.9	55.4	99
4		915	830	162.84	3.59	69.0	62.6	96	4		1012	917	171.19	4.167	69.0	62.6	98
5		1093	1029	140.75	3.70	69.1	65.1	96	5		1208	1137	147.97	4.289	69.1	65.1	97
6		1328	1299	94.15	3.49	59.4	58.2	95	6		1467	1436	98.98	4.050	59.4	58.2	96
1	2150	607	454	217.72	3.96	55.6	41.5	101	1	2250	665	497	227.84	4.532	55.6	41.5	102
2		782	645	206.48	4.31	62.4	51.4	100	2		857	706	216.08	4.936	62.4	51.4	101
3		878	750	199.62	4.49	64.9	55.4	100	3		962	821	208.91	5.143	64.9	55.4	101
4		1113	1009	179.54	4.81	69.0	62.6	99	4		1219	1105	187.89	5.509	69.0	62.6	100
5		1329	1251	155.19	4.95	69.1	65.1	98	5		1455	1370	162.40	5.671	69.1	65.1	99
6		1614	1579	103.81	4.68	59.4	58.2	97	6		1768	1730	108.64	5.355	59.4	58.2	98
1	2350	725	542	237.97	5.17	55.6	41.5	103	1	2450	788	589	248.10	5.852	55.6	41.5	104
2		935	770	225.68	5.63	62.4	51.4	102	2		1016	837	235.29	6.373	62.4	51.4	103
3		1049	896	218.19	5.86	64.9	55.4	102	3		1140	973	227.48	6.640	64.9	55.4	103
4		1329	1205	196.24	6.28	69.0	62.6	101	4		1445	1310	204.59	7.113	69.0	62.6	102
5		1587	1495	169.62	6.47	69.1	65.1	100	5		1725	1625	176.84	7.321	69.1	65.1	101
6		1928	1887	113.47	6.11	59.4	58.2	100	6		2096	2051	118.30	6.913	59.4	58.2	101
1	2550	854	638	258.22	6.60	55.6	41.5	105	1	2650	922	689	268.35	7.405	55.6	41.5	106
2		1101	907	244.89	7.19	62.4	51.4	104	2		1189	979	254.50	8.065	62.4	51.4	105
3		1235	1055	236.76	7.49	64.9	55.4	104	3		1334	1139	246.05	8.402	64.9	55.4	105
4		1565	1419	212.94	8.02	69.0	62.6	103	4		1690	1533	221.29	9.001	69.0	62.6	104
5		1869	1760	184.06	8.26	69.1	65.1	102	5		2018	1901	191.27	9.264	69.1	65.1	103
6		2270	2222	123.12	7.80	59.4	58.2	102	6		2452	2400	127.95	8.748	59.4	58.2	103
1	2750	993	742	278.48	8.28	55.6	41.5	107	1	2850	1066	797	288.60	9.211	55.6	41.5	108
2		1280	1055	264.10	9.02	62.4	51.4	106	2		1375	1133	273.70	10.032	62.4	51.4	107
3		1437	1226	255.33	9.39	64.9	55.4	106	3		1543	1317	264.62	10.451	64.9	55.4	107
4		1820	1650	229.64	10.06	69.0	62.6	105	4		1955	1773	237.99	11.196	69.0	62.6	106
5		2174	2047	198.49	10.36	69.1	65.1	104	5		2334	2198	205.71	11.524	69.1	65.1	105
6		2641	2584	132.78	9.78	59.4	58.2	103	6		2836	2775	137.61	10.882	59.4	58.2	104

- The A-Weighted sound ratings shown have been calculated per AMCA International Standard 301
- Value shown are for outlet Lw_{oA} sound power levels for installation type A – free inlet, free outlet with partition
- Performance certified is for installation type A – free inlet, free outlet with partition
- Performance ratings do not include the effects of appurtenances (accessories).

PERFORMANCE CURVE [500DLV]



Performance certified is for installation type A: free inlet, free outlet with partition.
 Performance ratings do not include the effects of appurtenances (accessories).



[500DLV]

PERFORMANCE DATA [500DLV]

Korea Air Conditioning Engineering Company / KACECO

Model : 500DLV

Wheel DIA. : 521.8 mm

Outlet Area : 0.23 m²

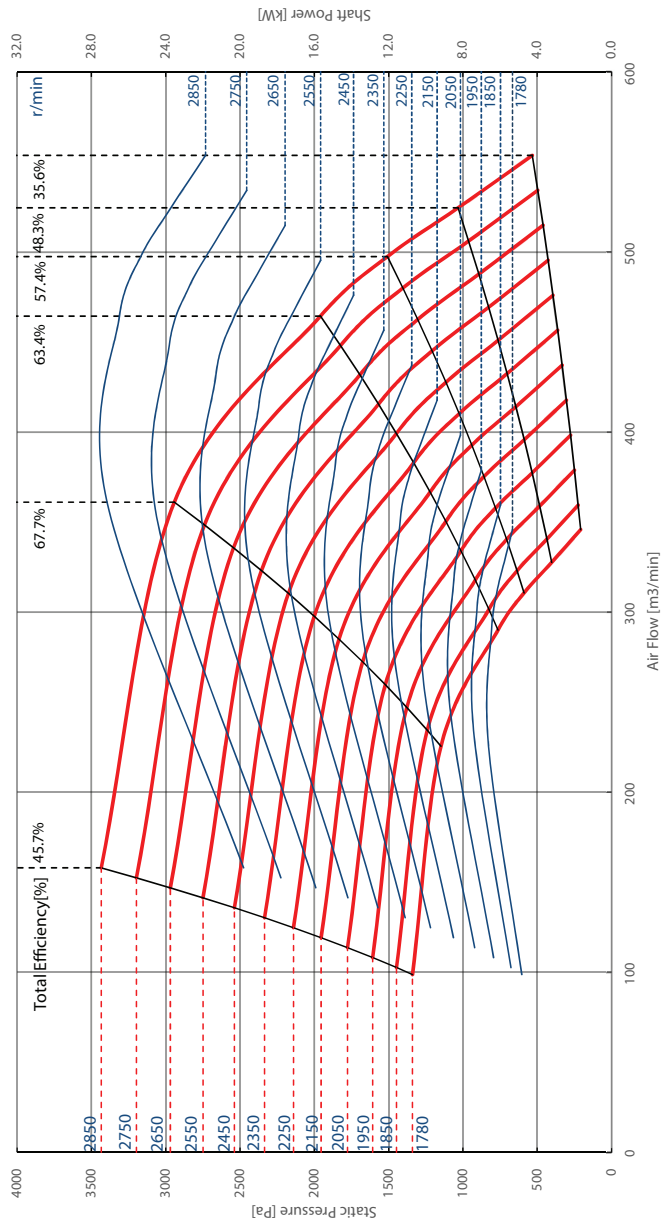
Det.	N [r/min]	Pt [Pa]	Ps [Pa]	Q [m ³ /min]	H [kW]	EtaT [%]	EtaS [%]	Lwi [dB(A)]	Det.	N [r/min]	Pt [Pa]	Ps [Pa]	Q [m ³ /min]	H [kW]	EtaT [%]	EtaS [%]	Lwi [dB(A)]
1	1780	288	174	189.84	1.99	45.8	27.7	98	1	1850	311	188	197.30	2.229	45.8	27.7	99
2		426	324	179.57	2.30	55.4	42.2	98	2		460	350	186.63	2.580	55.4	42.2	99
3		572	482	168.39	2.49	64.3	54.2	97	3		617	521	175.01	2.792	64.3	54.2	98
4		716	641	153.94	2.68	68.4	61.3	97	4		773	693	160.00	3.004	68.4	61.3	98
5		842	781	138.73	2.79	69.7	64.7	97	5		909	844	144.19	3.123	69.7	64.7	97
6		1053	1020	102.96	2.77	65.0	62.9	96	6		1138	1102	107.01	3.107	65.0	62.9	97
1	1950	345	209	207.97	2.62	45.8	27.7	100	1	2050	382	230	218.63	3.033	45.8	27.7	101
2		511	389	196.72	3.03	55.4	42.2	100	2		565	430	206.81	3.511	55.4	42.2	101
3		686	579	184.47	3.28	64.3	54.2	99	3		758	639	193.93	3.799	64.3	54.2	100
4		859	770	168.65	3.52	68.4	61.3	99	4		949	851	177.30	4.087	68.4	61.3	100
5		1010	938	151.98	3.66	69.7	64.7	98	5		1117	1036	159.77	4.250	69.7	64.7	99
6		1264	1224	112.80	3.64	65.0	62.9	98	6		1397	1353	118.58	4.227	65.0	62.9	99
1	2150	420	254	229.30	3.50	45.8	27.7	102	1	2250	460	278	239.96	4.010	45.8	27.7	103
2		622	473	216.89	4.05	55.4	42.2	102	2		681	518	226.98	4.642	55.4	42.2	103
3		834	703	203.39	4.39	64.3	54.2	101	3		913	770	212.85	5.024	64.3	54.2	102
4		1044	936	185.94	4.72	68.4	61.3	101	4		1144	1025	194.59	5.403	68.4	61.3	102
5		1228	1140	167.57	4.91	69.7	64.7	101	5		1345	1248	175.36	5.619	69.7	64.7	101
6		1536	1488	124.37	4.88	65.0	62.9	100	6		1683	1629	130.15	5.589	65.0	62.9	101
1	2350	501	303	250.63	4.57	45.8	27.7	104	1	2450	545	329	261.29	5.178	45.8	27.7	105
2		743	565	237.07	5.29	55.4	42.2	104	2		807	615	247.16	5.993	55.4	42.2	105
3		996	840	222.31	5.73	64.3	54.2	103	3		1083	913	231.77	6.486	64.3	54.2	104
4		1248	1118	203.24	6.16	68.4	61.3	103	4		1356	1215	211.89	6.976	68.4	61.3	104
5		1467	1362	183.16	6.41	69.7	64.7	102	5		1595	1480	190.95	7.254	69.7	64.7	103
6		1836	1778	135.94	6.37	65.0	62.9	102	6		1995	1932	141.72	7.216	65.0	62.9	103
1	2550	590	357	271.96	5.84	45.8	27.7	106	1	2650	638	385	282.62	6.552	45.8	27.7	106
2		875	666	257.25	6.76	55.4	42.2	105	2		945	719	267.34	7.583	55.4	42.2	106
3		1173	989	241.23	7.32	64.3	54.2	105	3		1267	1069	250.69	8.207	64.3	54.2	106
4		1469	1316	220.54	7.87	68.4	61.3	105	4		1587	1421	229.19	8.828	68.4	61.3	106
5		1728	1604	198.74	8.18	69.7	64.7	104	5		1866	1732	206.54	9.179	69.7	64.7	105
6		2161	2093	147.51	8.14	65.0	62.9	103	6		2334	2260	153.29	9.131	65.0	62.9	104
1	2750	687	415	293.29	7.33	45.8	27.7	107	1	2850	737	445	303.95	8.150	45.8	27.7	108
2		1017	774	277.42	8.48	55.4	42.2	107	2		1093	832	287.51	9.433	55.4	42.2	108
3		1364	1151	260.15	9.18	64.3	54.2	107	3		1465	1236	269.61	10.209	64.3	54.2	108
4		1709	1531	237.84	9.87	68.4	61.3	107	4		1835	1644	246.48	10.981	68.4	61.3	108
5		2009	1865	214.33	10.26	69.7	64.7	106	5		2158	2003	222.13	11.419	69.7	64.7	107
6		2514	2434	159.07	10.21	65.0	62.9	105	6		2700	2614	164.86	11.359	65.0	62.9	106

- The A-Weighted sound ratings shown have been calculated per AMCA International Standard 301
- Value shown are for outlet LwoA sound power levels for installation type A – free inlet, free outlet with partition
- Performance certified is for installation type A – free inlet, free outlet with partition
- Performance ratings do not include the effects of appurtenances (accessories).

PERFORMANCE CURVE [560DCH]



Performance certified is for installation type A: free inlet, free outlet with partition.
Performance ratings do not include the effects of appurtenances (accessories).



[560DCH]

PERFORMANCE DATA [560DCH]

Model : 560DCH

Korea Air Conditioning Engineering Company / KACECO

Model :

Outlet Area : 0.41 m²

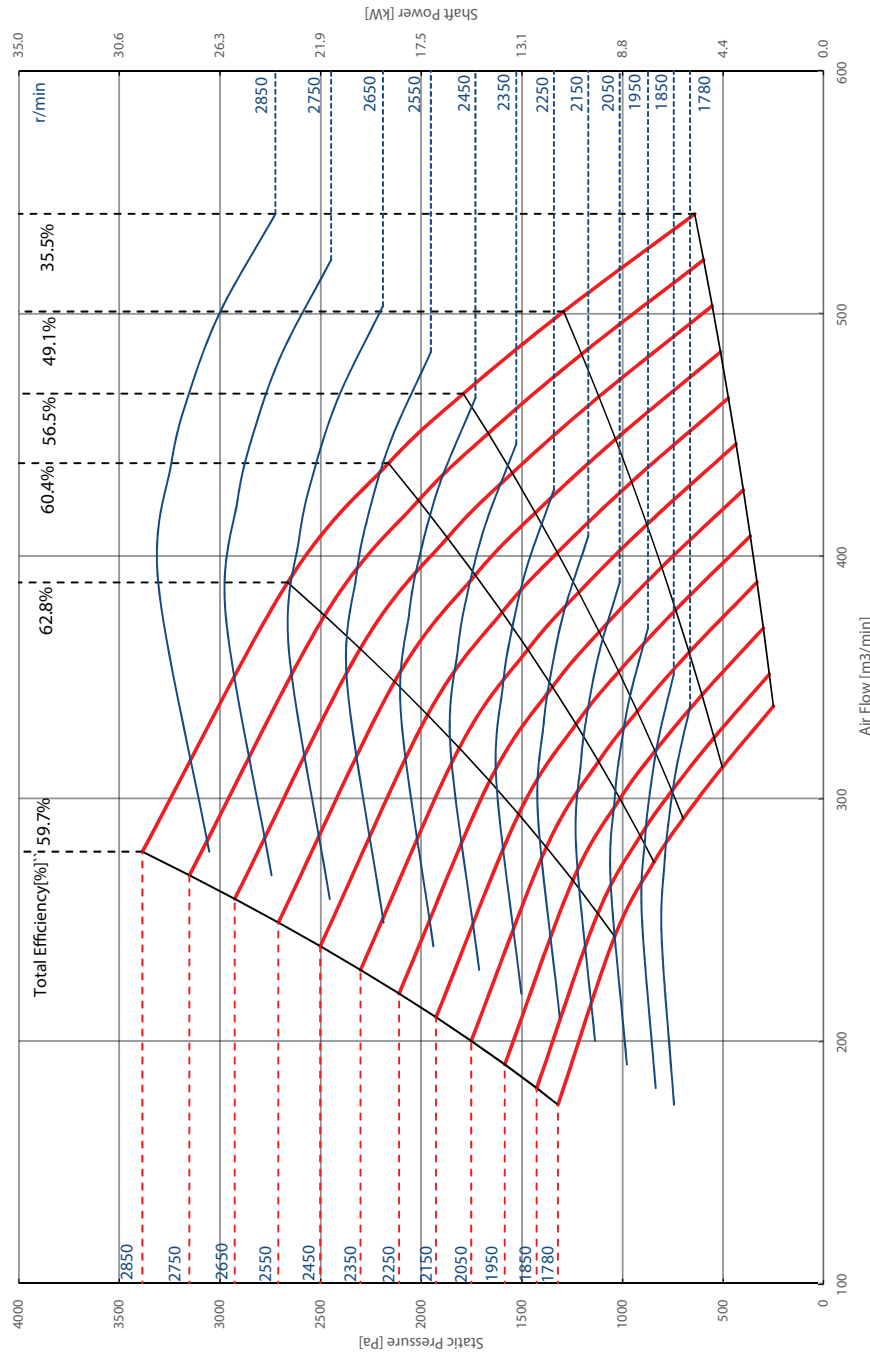
Wheel DIA. : 566.0 mm

Det.	N	Pt	Ps	Q	H	EtaT	EtaS	Lwi	Det.	N	Pt	Ps	Q	H	EtaT	EtaS	Lwi
	[r/min]	[Pa]	[Pa]	[m ³ /min]	[kW]	[%]	[%]	[dB(A)]		[r/min]	[Pa]	[Pa]	[m ³ /min]	[kW]	[%]	[%]	[dB(A)]
1		330	208	345.91	5.33	35.6	22.5	96	1		356	225	359.52	5.978	35.6	22.5	97
2		512	403	327.72	5.78	48.3	38.0	96	2		553	435	340.61	6.488	48.3	38.0	97
3	1780	686	588	310.79	6.18	57.4	49.2	96	3	1850	741	635	323.01	6.932	57.4	49.2	97
4		849	764	290.13	6.46	63.4	57.0	97	4		917	825	301.54	7.246	63.4	57.0	98
5		1199	1148	225.56	6.62	67.7	64.8	96	5		1295	1240	234.43	7.427	67.7	64.8	97
6		1349	1339	98.68	4.83	45.7	45.4	97	6		1457	1447	102.56	5.418	45.7	45.4	98
1		396	249	378.95	7.01	35.6	22.5	98	1		437	276	398.38	8.134	35.6	22.5	100
2		614	483	359.02	7.60	48.3	38.0	98	2		679	534	377.43	8.828	48.3	38.0	100
3	1950	823	706	340.47	8.12	57.4	49.2	98	3	2050	910	780	357.93	9.432	57.4	49.2	100
4		1019	917	317.84	8.49	63.4	57.0	99	4		1126	1013	334.14	9.859	63.4	57.0	100
5		1439	1377	247.11	8.70	67.7	64.8	98	5		1590	1522	259.78	10.106	67.7	64.8	100
6		1619	1608	108.11	6.35	45.7	45.4	99	6		1790	1777	113.65	7.371	45.7	45.4	100
1		481	303	417.82	9.39	35.6	22.5	101	1		527	332	437.25	10.755	35.6	22.5	102
2		747	588	395.84	10.19	48.3	38.0	101	2		818	643	414.25	11.672	48.3	38.0	102
3	2150	1001	858	375.39	10.89	57.4	49.2	101	3	2250	1096	940	392.85	12.471	57.4	49.2	102
4		1239	1115	350.44	11.38	63.4	57.0	101	4		1357	1221	366.74	13.036	63.4	57.0	103
5		1749	1674	272.45	11.66	67.7	64.8	101	5		1916	1834	285.12	13.362	67.7	64.8	102
6		1968	1954	119.19	8.51	45.7	45.4	101	6		2156	2140	124.74	9.746	45.7	45.4	103
1		575	362	456.68	12.26	35.6	22.5	103	1		625	394	476.12	13.885	35.6	22.5	104
2		892	702	432.67	13.30	48.3	38.0	103	2		970	763	451.08	15.069	48.3	38.0	104
3	2350	1196	1025	410.31	14.21	57.4	49.2	103	3	2450	1300	1114	427.77	16.101	57.4	49.2	105
4		1480	1332	383.04	14.86	63.4	57.0	104	4		1609	1447	399.34	16.830	63.4	57.0	105
5		2090	2000	297.79	15.23	67.7	64.8	103	5		2272	2174	310.47	17.251	67.7	64.8	105
6		2352	2335	130.28	11.11	45.7	45.4	104	6		2556	2538	135.83	12.583	45.7	45.4	105
1		677	427	495.55	15.66	35.6	22.5	105	1		731	461	514.99	17.571	35.6	22.5	106
2		1050	826	469.49	17.00	48.3	38.0	105	2		1134	893	487.90	19.069	48.3	38.0	106
3	2550	1408	1207	445.23	18.16	57.4	49.2	106	3	2650	1521	1304	462.69	20.375	57.4	49.2	107
4		1743	1568	415.64	18.98	63.4	57.0	106	4		1882	1693	431.94	21.297	63.4	57.0	107
5		2461	2355	323.14	19.46	67.7	64.8	106	5		2657	2544	335.81	21.830	67.7	64.8	107
6		2769	2749	141.37	14.19	45.7	45.4	106	6		2991	2969	146.91	15.923	45.7	45.4	107
1		787	496	534.42	19.64	35.6	22.5	107	1		845	533	553.85	21.857	35.6	22.5	108
2		1222	961	506.31	21.31	48.3	38.0	107	2		1312	1032	524.72	23.720	48.3	38.0	108
3	2750	1638	1404	480.15	22.77	57.4	49.2	108	3	2850	1759	1508	497.61	25.345	57.4	49.2	109
4		2027	1824	448.24	23.81	63.4	57.0	108	4		2177	1959	464.54	26.492	63.4	57.0	109
5		2862	2739	348.48	24.40	67.7	64.8	108	5		3074	2942	361.15	27.155	67.7	64.8	109
6		3220	3197	152.46	17.80	45.7	45.4	108	6		3459	3434	158.00	19.807	45.7	45.4	109

- The A-Weighted sound ratings shown have been calculated per AMCA International Standard 301
- Value shown are for outlet LwoA sound power levels for installation type A – free inlet, free outlet with partition
- Performance certified is for installation type A – free inlet, free outlet with partition
- Performance ratings do not include the effects of appurtenances (accessories).

PERFORMANCE CURVE [560DCV]

Performance certified is for installation type A: free inlet, free outlet with partition.
 Performance ratings do not include the effects of appurtenances (accessories).



[560DCV]

PERFORMANCE DATA [560DCV]

Korea Air Conditioning Engineering Company / KACECO

Model : 560DCV

Wheel DIA. : 566.0 mm

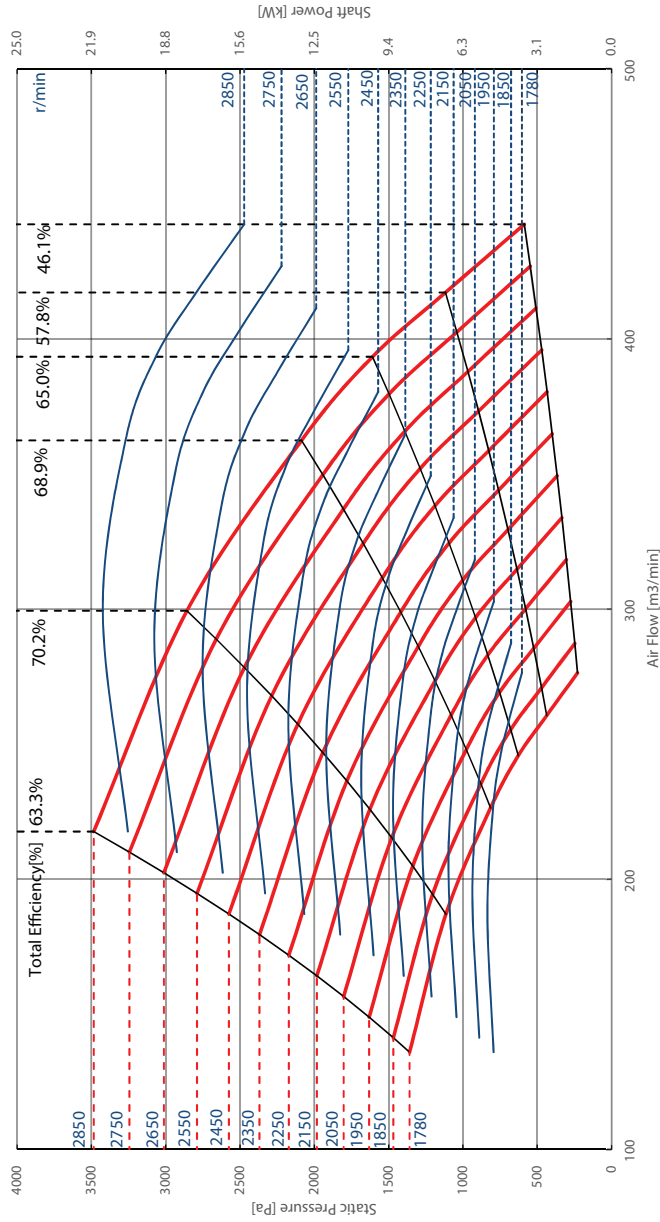
Outlet Area : 0.40 m²

Det.	N [r/min]	Pt [Pa]	Ps [Pa]	Q [m ³ /min]	H [kW]	EtaT [%]	EtaS [%]	Lwi [dB(A)]	Det.	N [r/min]	Pt [Pa]	Ps [Pa]	Q [m ³ /min]	H [kW]	EtaT [%]	EtaS [%]	Lwi [dB(A)]
1	1780	367	250	337.96	5.81	35.5	24.2	95	1	1850	396	270	351.25	6.521	35.5	24.2	96
2		604	504	312.81	6.40	49.1	41.0	95	2		652	544	325.12	7.175	49.1	41.0	96
3		785	698	291.65	6.73	56.5	50.3	94	3		848	754	303.12	7.549	56.5	50.3	95
4		920	844	273.73	6.92	60.4	55.4	94	4		993	911	284.50	7.759	60.4	55.4	95
5		1099	1039	243.01	7.05	62.8	59.4	94	5		1187	1122	252.57	7.914	62.8	59.4	95
6		1351	1321	173.67	6.51	59.7	58.3	96	6		1459	1427	180.50	7.308	59.7	58.3	96
1	1950	440	300	370.24	7.64	35.5	24.2	97	1	2050	486	332	389.22	8.872	35.5	24.2	99
2		724	605	342.69	8.41	49.1	41.0	97	2		801	669	360.26	9.763	49.1	41.0	98
3		942	838	319.51	8.85	56.5	50.3	97	3		1041	926	335.89	10.272	56.5	50.3	98
4		1104	1012	299.88	9.09	60.4	55.4	97	4		1220	1119	315.26	10.557	60.4	55.4	98
5		1319	1247	266.22	9.27	62.8	59.4	97	5		1458	1378	279.88	10.768	62.8	59.4	98
6		1622	1585	190.25	8.56	59.7	58.3	98	6		1792	1752	200.01	9.943	59.7	58.3	99
1	2150	535	365	408.21	10.24	35.5	24.2	100	1	2250	586	399	427.20	11.731	35.5	24.2	101
2		881	735	377.84	11.27	49.1	41.0	100	2		964	805	395.41	12.908	49.1	41.0	101
3		1145	1019	352.28	11.85	56.5	50.3	99	3		1254	1116	368.66	13.582	56.5	50.3	101
4		1342	1231	330.63	12.18	60.4	55.4	99	4		1470	1348	346.01	13.958	60.4	55.4	100
5		1603	1516	293.53	12.43	62.8	59.4	99	5		1756	1660	307.18	14.238	62.8	59.4	100
6		1971	1927	209.77	11.48	59.7	58.3	100	6		2159	2110	219.52	13.147	59.7	58.3	102
1	2350	639	436	446.18	13.37	35.5	24.2	102	1	2450	694	474	465.17	15.145	35.5	24.2	103
2		1052	879	412.99	14.71	49.1	41.0	102	2		1144	955	430.56	16.666	49.1	41.0	103
3		1368	1217	385.05	15.48	56.5	50.3	102	3		1487	1323	401.43	17.535	56.5	50.3	103
4		1603	1470	361.39	15.91	60.4	55.4	102	4		1742	1598	376.77	18.021	60.4	55.4	103
5		1915	1811	320.83	16.23	62.8	59.4	102	5		2082	1968	334.49	18.382	62.8	59.4	103
6		2355	2302	229.28	14.98	59.7	58.3	103	6		2560	2502	239.04	16.973	59.7	58.3	104
1	2550	752	513	484.16	17.08	35.5	24.2	104	1	2650	813	554	503.14	19.165	35.5	24.2	105
2		1239	1034	448.13	18.80	49.1	41.0	104	2		1338	1117	465.71	21.089	49.1	41.0	105
3		1611	1433	417.82	19.78	56.5	50.3	104	3		1739	1548	434.20	22.189	56.5	50.3	105
4		1888	1731	392.15	20.32	60.4	55.4	104	4		2038	1870	407.53	22.805	60.4	55.4	105
5		2255	2132	348.14	20.73	62.8	59.4	104	5		2436	2303	361.79	23.261	62.8	59.4	105
6		2773	2710	248.79	19.14	59.7	58.3	105	6		2995	2927	258.55	21.479	59.7	58.3	106
1	2750	875	597	522.13	21.42	35.5	24.2	106	1	2850	940	641	541.12	23.841	35.5	24.2	107
2		1441	1203	483.28	23.57	49.1	41.0	106	2		1547	1292	500.86	26.233	49.1	41.0	107
3		1873	1667	450.59	24.80	56.5	50.3	106	3		2012	1790	466.97	27.602	56.5	50.3	107
4		2195	2014	422.90	25.49	60.4	55.4	106	4		2358	2163	438.28	28.368	60.4	55.4	107
5		2623	2480	375.44	26.00	62.8	59.4	106	5		2817	2664	389.10	28.935	62.8	59.4	107
6		3225	3152	268.31	24.01	59.7	58.3	107	6		3464	3386	278.06	26.718	59.7	58.3	108

- The A-Weighted sound ratings shown have been calculated per AMCA International Standard 301
- Value shown are for outlet LwOA sound power levels for installation type A – free inlet, free outlet with partition
- Performance certified is for installation type A – free inlet, free outlet with partition
- Performance ratings do not include the effects of appurtenances (accessories).

PERFORMANCE CURVE [560DLH]

Performance certified is for installation type A: free inlet, free outlet with partition.
 Performance ratings do not include the effects of appurtenances (accessories).



[560DLH]

PERFORMANCE DATA [560DLH]

Korea Air Conditioning Engineering Company / KACECO

Model : 560DLH

Wheel DIA. : 584.2 mm

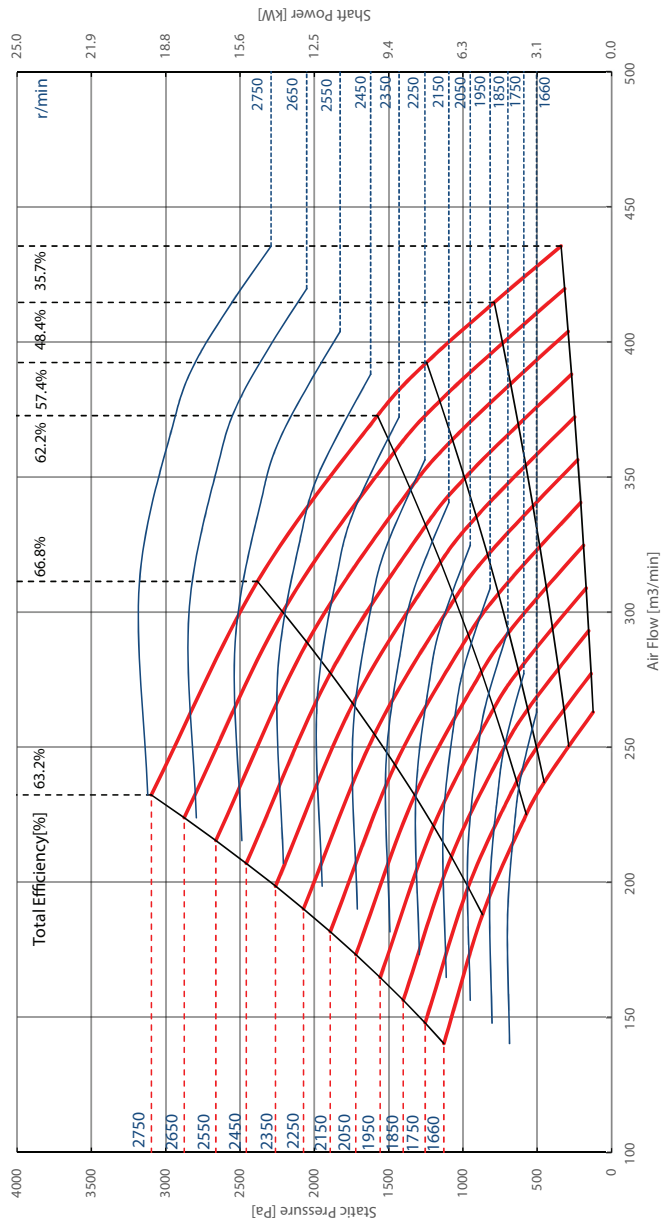
Outlet Area : 0.29 m²

Det.	N [r/min]	Pt [Pa]	Ps [Pa]	Q [m ³ /min]	H [kW]	EtaT [%]	EtaS [%]	Lwi [dB(A)]	Det.	N [r/min]	Pt [Pa]	Ps [Pa]	Q [m ³ /min]	H [kW]	EtaT [%]	EtaS [%]	Lwi [dB(A)]
1	1780	377	229	276.43	3.77	46.1	28.0	100	1	1850	408	247	287.30	4.225	46.1	28.0	101
2		568	436	260.66	4.26	57.8	44.4	99	2		613	471	270.91	4.777	57.8	44.4	100
3		744	627	245.79	4.67	65.0	54.8	98	3		804	678	255.45	5.242	65.0	54.8	99
4		913	814	226.43	4.98	68.9	61.4	98	4		986	879	235.33	5.591	68.9	61.4	99
5		1182	1114	187.01	5.22	70.2	66.3	97	5		1276	1204	194.37	5.852	70.2	66.3	98
6		1395	1359	135.94	4.96	63.3	61.7	96	6		1506	1468	141.29	5.563	63.3	61.7	97
1	1950	453	275	302.83	4.95	46.1	28.0	102	1	2050	501	304	318.36	5.749	46.1	28.0	104
2		681	523	285.55	5.60	57.8	44.4	101	2		753	578	300.19	6.499	57.8	44.4	103
3		893	753	269.26	6.14	65.0	54.8	101	3		987	832	283.07	7.133	65.0	54.8	102
4		1095	977	248.05	6.55	68.9	61.4	100	4		1211	1079	260.77	7.607	68.9	61.4	101
5		1418	1337	204.88	6.86	70.2	66.3	99	5		1567	1478	215.38	7.962	70.2	66.3	100
6		1674	1631	148.92	6.52	63.3	61.7	98	6		1850	1803	156.56	7.570	63.3	61.7	100
1	2150	551	334	333.89	6.64	46.1	28.0	105	1	2250	603	366	349.42	7.601	46.1	28.0	106
2		828	636	314.84	7.50	57.8	44.4	104	2		907	696	329.48	8.593	57.8	44.4	105
3		1086	915	296.88	8.23	65.0	54.8	103	3		1189	1002	310.69	9.431	65.0	54.8	104
4		1332	1187	273.49	8.78	68.9	61.4	103	4		1458	1300	286.21	10.057	68.9	61.4	104
5		1724	1626	225.89	9.19	70.2	66.3	102	5		1888	1781	263.39	10.528	70.2	66.3	103
6		2035	1983	164.20	8.74	63.3	61.7	101	6		2228	2172	171.83	10.009	63.3	61.7	102
1	2350	658	399	364.95	8.67	46.1	28.0	107	1	2450	715	434	380.48	9.814	46.1	28.0	108
2		989	760	344.13	9.80	57.8	44.4	106	2		1075	826	358.77	11.094	57.8	44.4	107
3		1297	1093	324.49	10.75	65.0	54.8	105	3		1410	1188	338.30	12.176	65.0	54.8	106
4		1591	1418	298.93	11.46	68.9	61.4	105	4		1729	1542	311.65	12.985	68.9	61.4	106
5		2060	1942	246.90	12.00	70.2	66.3	104	5		2239	2111	257.41	13.592	70.2	66.3	105
6		2431	2369	179.47	11.41	63.3	61.7	103	6		2642	2575	187.11	12.922	63.3	61.7	104
1	2550	775	470	396.01	11.07	46.1	28.0	109	1	2650	837	507	411.54	12.419	46.1	28.0	110
2		1165	894	373.41	12.51	57.8	44.4	108	2		1258	966	388.06	14.039	57.8	44.4	109
3		1527	1287	352.11	13.73	65.0	54.8	107	3		1649	1390	365.92	15.408	65.0	54.8	108
4		1873	1670	324.37	14.65	68.9	61.4	107	4		2023	1804	337.10	16.431	68.9	61.4	108
5		2425	2287	267.91	15.33	70.2	66.3	106	5		2619	2470	278.42	17.200	70.2	66.3	107
6		2862	2789	194.75	14.57	63.3	61.7	105	6		3091	3012	202.38	16.352	63.3	61.7	106
1	2750	901	546	427.07	13.88	46.1	28.0	111	1	2850	968	587	442.59	15.448	46.1	28.0	112
2		1355	1040	402.70	15.69	57.8	44.4	110	2		1455	1117	417.34	17.464	57.8	44.4	111
3		1776	1497	379.73	17.22	65.0	54.8	109	3		1908	1608	393.54	19.167	65.0	54.8	110
4		2179	1942	349.82	18.37	68.9	61.4	109	4		2340	2086	362.54	20.440	68.9	61.4	110
5		2820	2660	288.93	19.23	70.2	66.3	108	5		3029	2857	299.43	21.395	70.2	66.3	109
6		3329	3244	210.02	18.28	63.3	61.7	107	6		3575	3484	217.66	20.340	63.3	61.7	108

- The A-Weighted sound ratings shown have been calculated per AMCA International Standard 301
- Value shown are for outlet LwoA sound power levels for installation type A – free inlet, free outlet with partition
- Performance certified is for installation type A – free inlet, free outlet with partition
- Performance ratings do not include the effects of appurtenances (accessories).

PERFORMANCE CURVE [560DLV]

Performance certified is for installation type A: free inlet, free outlet with partition.
 Performance ratings do not include the effects of appurtenances (accessories).



[560DLV]

PERFORMANCE DATA [560DLV]

Korea Air Conditioning Engineering Company / KACECO

Model : 560DLV

Wheel DIA. : 584.2 mm

Outlet Area : 0.30 m²

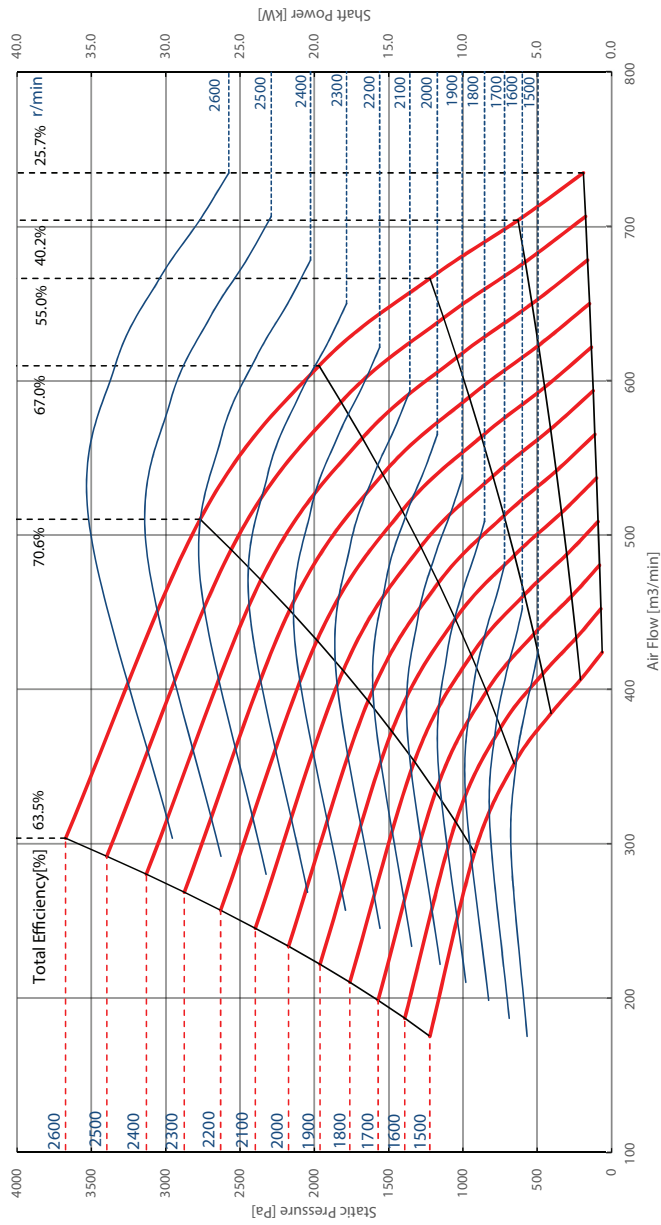
Det.	N [r/min]	Pt [Pa]	Ps [Pa]	Q [m ³ /min]	H [kW]	EtaT [%]	EtaS [%]	Lwi [dB(A)]	Det.	N [r/min]	Pt [Pa]	Ps [Pa]	Q [m ³ /min]	H [kW]	EtaT [%]	EtaS [%]	Lwi [dB(A)]
1	1660	257	124	262.99	3.15	35.7	17.2	99	1	1750	286	137	277.24	3.690	35.7	17.2	101
2		408	288	250.36	3.52	48.4	34.1	99	2		454	320	263.93	4.113	48.4	34.1	100
3		561	453	236.94	3.86	57.4	46.4	98	3		624	504	249.79	4.512	57.4	46.4	99
4		671	574	225.06	4.04	62.2	53.2	97	4		746	638	237.26	4.726	62.2	53.2	99
5		936	868	187.98	4.37	66.8	62.0	97	5		1040	965	198.17	5.116	66.8	62.0	98
6		1166	1128	140.25	4.29	63.2	61.1	96	6		1296	1254	147.85	5.026	63.2	61.1	97
1	1850	319	154	293.09	4.36	35.7	17.2	102	1	1950	355	171	308.93	5.105	35.7	17.2	103
2		507	357	279.01	4.86	48.4	34.1	101	2		564	397	294.10	5.691	48.4	34.1	102
3		697	563	264.06	5.34	57.4	46.4	100	3		774	626	278.34	6.243	57.4	46.4	102
4		834	713	250.82	5.59	62.2	53.2	100	4		926	792	264.37	6.539	62.2	53.2	101
5		1162	1078	209.50	6.05	66.8	62.0	99	5		1291	1198	220.82	7.078	66.8	62.0	100
6		1448	1401	156.30	5.94	63.2	61.1	98	6		1609	1557	164.75	6.953	63.2	61.1	100
1	2050	392	189	324.77	5.94	35.7	17.2	104	1	2150	431	207	340.61	6.842	35.7	17.2	106
2		623	439	309.18	6.62	48.4	34.1	104	2		685	483	324.26	7.627	48.4	34.1	105
3		856	691	292.61	7.26	57.4	46.4	103	3		942	760	306.88	8.368	57.4	46.4	104
4		1024	875	277.93	7.60	62.2	53.2	102	4		1126	963	291.49	8.764	62.2	53.2	104
5		1427	1324	232.15	8.23	66.8	62.0	101	5		1570	1456	243.47	9.487	66.8	62.0	103
6		1778	1721	173.20	8.08	63.2	61.1	101	6		1956	1893	181.65	9.320	63.2	61.1	102
1	2250	472	227	356.46	7.85	35.7	17.2	107	1	2350	515	248	372.30	8.935	35.7	17.2	108
2		750	529	339.34	8.75	48.4	34.1	106	2		818	577	354.42	9.960	48.4	34.1	107
3		1031	833	321.16	9.60	57.4	46.4	105	3		1125	908	335.43	10.927	57.4	46.4	106
4		1233	1054	305.05	10.05	62.2	53.2	105	4		1345	1150	318.60	11.445	62.2	53.2	106
5		1719	1595	254.80	10.88	66.8	62.0	104	5		1875	1740	266.12	12.389	66.8	62.0	105
6		2142	2073	190.09	10.69	63.2	61.1	103	6		2336	2261	198.54	12.170	63.2	61.1	104
1	2450	560	269	388.14	10.13	35.7	17.2	109	1	2550	607	292	403.98	11.416	35.7	17.2	110
2		890	627	369.51	11.29	48.4	34.1	108	2		964	679	384.59	12.726	48.4	34.1	109
3		1223	987	349.70	12.39	57.4	46.4	107	3		1324	1070	363.98	13.961	57.4	46.4	108
4		1462	1250	332.16	12.97	62.2	53.2	107	4		1584	1354	345.72	14.623	62.2	53.2	108
5		2038	1891	277.44	14.04	66.8	62.0	106	5		2208	2049	288.77	15.829	66.8	62.0	107
6		2540	2458	206.99	13.80	63.2	61.1	105	6		2751	2662	215.44	15.549	63.2	61.1	106
1	2650	655	315	419.83	12.82	35.7	17.2	111	1	2750	705	339	435.67	14.318	35.7	17.2	111
2		1041	733	399.67	14.29	48.4	34.1	110	2		1121	790	414.75	15.961	48.4	34.1	111
3		1430	1155	378.25	15.67	57.4	46.4	109	3		1540	1244	392.53	17.510	57.4	46.4	110
4		1710	1462	359.28	16.42	62.2	53.2	109	4		1842	1575	372.84	18.340	62.2	53.2	109
5		2385	2212	300.09	17.77	66.8	62.0	107	5		2568	2383	311.42	19.853	66.8	62.0	108
6		2971	2875	223.89	17.46	63.2	61.1	107	6		3200	3097	232.34	19.502	63.2	61.1	107

- The A-Weighted sound ratings shown have been calculated per AMCA International Standard 301
- Value shown are for outlet LwoA sound power levels for installation type A – free inlet, free outlet with partition
- Performance certified is for installation type A – free inlet, free outlet with partition
- Performance ratings do not include the effects of appurtenances (accessories).

PERFORMANCE CURVE [630DCH]



Performance certified is for installation type A: free inlet, free outlet with partition.
Performance ratings do not include the effects of appurtenances (accessories).



[630DCH]

PERFORMANCE DATA [630DCH]

Korea Air Conditioning Engineering Company / KACECO

Model : 630DCH

Wheel DIA. : 637.3 mm

Outlet Area : 0.51 m²

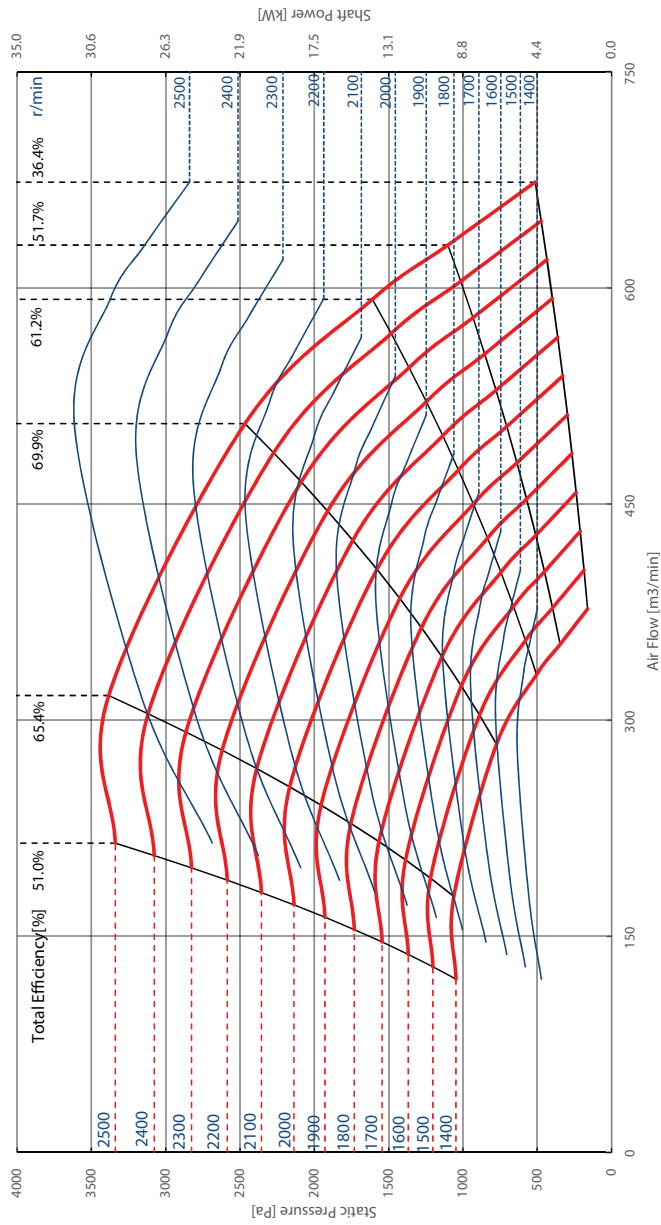
Det.	N [r/min]	Pt [Pa]	Ps [Pa]	Q [m ³ /min]	H [kW]	EtaT [%]	EtaS [%]	Lwi [dB(A)]	Det.	N [r/min]	Pt [Pa]	Ps [Pa]	Q [m ³ /min]	H [kW]	EtaT [%]	EtaS [%]	Lwi [dB(A)]
1	1500	180	63	423.94	4.95	25.7	9.0	100	1	1600	205	72	452.20	6.001	25.7	9.0	102
2		316	209	406.24	5.33	40.2	26.6	99	2		360	238	433.32	6.459	40.2	26.6	100
3		503	407	384.46	5.84	55.0	44.5	97	3		572	463	410.09	7.087	55.0	44.5	99
4		735	655	351.81	6.42	67.0	59.7	95	4		836	745	375.26	7.784	67.0	59.7	96
5		977	921	294.40	6.76	70.6	66.6	93	5		1112	1048	314.03	8.200	70.6	66.6	94
6		1243	1223	175.12	5.68	63.5	62.5	93	6		1414	1391	186.79	6.887	63.5	62.5	94
1	1700	231	81	480.47	7.20	25.7	9.0	104	1	1800	259	91	508.73	8.545	25.7	9.0	105
2		406	269	460.41	7.75	40.2	26.6	102	2		456	301	487.49	9.196	40.2	26.6	104
3		646	522	435.73	8.51	55.0	44.5	100	3		724	586	461.36	10.091	55.0	44.5	102
4		944	841	398.71	9.34	67.0	59.7	98	4		1059	943	422.17	11.083	67.0	59.7	100
5		1255	1183	333.66	9.84	70.6	66.6	96	5		1407	1327	353.28	11.676	70.6	66.6	98
6		1596	1571	198.46	8.27	63.5	62.5	96	6		1789	1761	210.14	9.806	63.5	62.5	97
1	1900	289	101	536.99	10.05	25.7	9.0	107	1	2000	320	112	565.25	11.721	25.7	9.0	108
2		508	336	514.57	10.82	40.2	26.6	105	2		562	372	541.65	12.615	40.2	26.6	107
3		806	653	486.99	11.87	55.0	44.5	103	3		894	723	512.62	13.842	55.0	44.5	105
4		1179	1051	445.62	13.04	67.0	59.7	101	4		1307	1164	469.07	15.203	67.0	59.7	103
5		1568	1478	372.91	13.74	70.6	66.6	99	5		1738	1638	392.54	16.016	70.6	66.6	100
6		1994	1962	221.81	11.54	63.5	62.5	99	6		2209	2174	233.49	13.451	63.5	62.5	100
1	2100	353	123	593.52	13.57	25.7	9.0	109	1	2200	387	135	621.78	15.601	25.7	9.0	111
2		620	410	568.74	14.61	40.2	26.6	108	2		681	450	595.82	16.790	40.2	26.6	109
3		985	797	538.25	16.03	55.0	44.5	106	3		1081	875	563.88	18.424	55.0	44.5	108
4		1441	1284	492.53	17.60	67.0	59.7	104	4		1581	1409	515.98	20.236	67.0	59.7	105
5		1916	1806	412.17	18.55	70.6	66.6	102	5		2103	1982	431.79	21.317	70.6	66.6	103
6		2435	2397	245.16	15.58	63.5	62.5	102	6		2673	2630	256.84	17.903	63.5	62.5	103
1	2300	423	148	650.04	17.83	25.7	9.0	112	1	2400	461	161	678.31	20.255	25.7	9.0	113
2		744	492	622.90	19.19	40.2	26.6	111	2		810	535	649.99	21.798	40.2	26.6	112
3		1182	956	589.51	21.06	55.0	44.5	109	3		1287	1041	615.14	23.919	55.0	44.5	110
4		1728	1540	539.44	23.13	67.0	59.7	106	4		1882	1677	562.89	26.272	67.0	59.7	108
5		2298	2166	451.42	24.36	70.6	66.6	104	5		2502	2359	471.05	27.675	70.6	66.6	106
6		2921	2875	268.51	20.46	63.5	62.5	104	6		3181	3130	280.18	23.243	63.5	62.5	105
1	2500	500	175	706.57	22.90	25.7	9.0	114	1	2600	540	189	734.83	25.752	25.7	9.0	116
2		879	581	677.07	24.64	40.2	26.6	113	2		950	628	704.15	27.715	40.2	26.6	114
3		1396	1130	640.77	27.04	55.0	44.5	111	3		1510	1222	666.40	30.411	55.0	44.5	112
4		2042	1819	586.34	29.70	67.0	59.7	109	4		2209	1968	609.80	33.402	67.0	59.7	110
5		2715	2559	490.67	31.29	70.6	66.6	107	5		2937	2768	510.30	35.187	70.6	66.6	108
6		3451	3396	291.86	26.28	63.5	62.5	106	6		3733	3674	303.53	29.551	63.5	62.5	108

- The A-Weighted sound ratings shown have been calculated per AMCA International Standard 301
- Value shown are for outlet LwoA sound power levels for installation type A – free inlet, free outlet with partition
- Performance certified is for installation type A – free inlet, free outlet with partition
- Performance ratings do not include the effects of appurtenances (accessories).

PERFORMANCE CURVE [630DCV]



Performance certified is for installation type A: free inlet, free outlet with partition.
 Performance ratings do not include the effects of appurtenances (accessories).



[630DCV]

PERFORMANCE DATA [630DCV]

Korea Air Conditioning Engineering Company / KACECO

Model : 630DCV

Wheel DIA. : 637.3 mm

Outlet Area : 0.51 m²

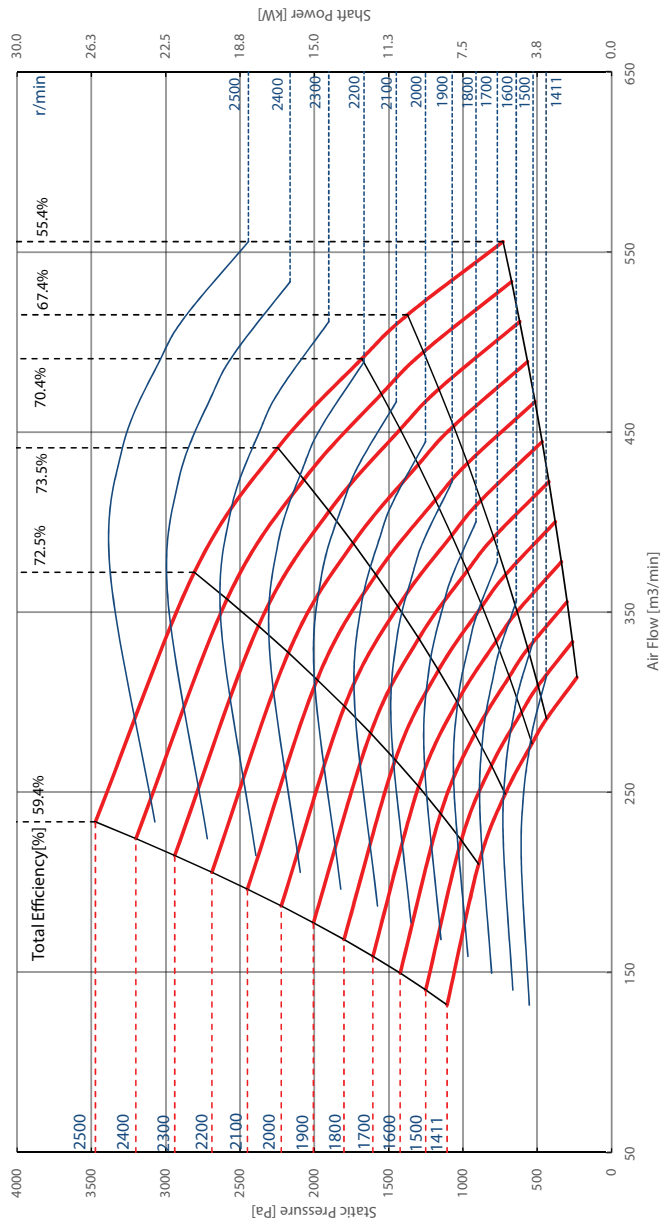
Det.	N [r/min]	Pt [Pa]	Ps [Pa]	Q [m ³ /min]	H [kW]	EtaT [%]	EtaS [%]	Lwi [dB(A)]	Det.	N [r/min]	Pt [Pa]	Ps [Pa]	Q [m ³ /min]	H [kW]	EtaT [%]	EtaS [%]	Lwi [dB(A)]
1	1400	253	161	377.30	4.37	36.4	23.2	102	1	1500	290	185	404.25	5.367	36.4	23.2	104
2		426	345	352.82	4.83	51.7	42.0	95	2		488	396	378.02	5.936	51.7	42.0	97
3		575	505	331.70	5.19	61.2	53.7	91	3		660	579	355.39	6.378	61.2	53.7	93
4		825	774	283.35	5.56	69.9	65.5	90	4		947	888	303.59	6.832	69.9	65.5	92
5		1081	1061	177.61	4.87	65.4	64.2	89	5		1241	1218	190.29	5.984	65.4	64.2	91
6		1056	1047	120.22	4.13	51.0	50.6	89	6		1213	1202	128.81	5.076	51.0	50.6	91
1	1600	330	210	431.20	6.52	36.4	23.2	105	1	1700	373	237	458.15	7.813	36.4	23.2	107
2		556	451	403.23	7.21	51.7	42.0	98	2		627	509	428.43	8.641	51.7	42.0	100
3		751	659	379.08	7.75	61.2	53.7	95	3		848	744	402.78	9.284	61.2	53.7	96
4		1078	1010	323.83	8.30	69.9	65.5	93	4		1217	1141	344.07	9.946	69.9	65.5	95
5		1412	1386	202.98	7.27	65.4	64.2	93	5		1594	1565	215.67	8.710	65.4	64.2	94
6		1380	1368	137.40	6.17	51.0	50.6	93	6		1558	1544	145.98	7.390	51.0	50.6	94
1	1800	418	266	485.10	9.28	36.4	23.2	108	1	1900	466	297	512.05	10.907	36.4	23.2	110
2		703	571	453.63	10.26	51.7	42.0	101	2		784	636	478.83	12.064	51.7	42.0	103
3		951	834	426.47	11.03	61.2	53.7	98	3		1060	929	450.16	12.962	61.2	53.7	99
4		1364	1279	364.31	11.81	69.9	65.5	96	4		1520	1425	384.55	13.886	69.9	65.5	98
5		1787	1754	228.35	10.34	65.4	64.2	96	5		1992	1924	241.04	12.161	65.4	64.2	97
6		1746	1731	154.57	8.78	51.0	50.6	96	6		1946	1929	163.16	10.317	51.0	50.6	97
1	2000	516	329	539.00	12.73	36.4	23.2	111	1	2100	569	362	565.95	14.727	36.4	23.2	113
2		868	705	504.03	14.08	51.7	42.0	104	2		957	777	529.23	16.289	51.7	42.0	106
3		1174	1030	473.86	15.12	61.2	53.7	101	3		1295	1135	497.55	17.501	61.2	53.7	102
4		1684	1579	404.78	16.20	69.9	65.5	99	4		1857	1741	425.02	18.748	69.9	65.5	100
5		2207	2165	253.72	14.19	65.4	64.2	99	5		2433	2387	266.41	16.419	65.4	64.2	100
6		2156	2137	171.74	12.04	51.0	50.6	99	6		2377	2356	180.33	13.930	51.0	50.6	100
1	2200	624	398	592.90	16.94	36.4	23.2	114	1	2300	683	435	619.85	19.348	36.4	23.2	115
2		1051	853	554.44	18.73	51.7	42.0	107	2		1148	932	579.64	21.401	51.7	42.0	108
3		1421	1246	521.24	20.13	61.2	53.7	103	3		1553	1362	544.93	22.992	61.2	53.7	104
4		2038	1910	445.26	21.56	69.9	65.5	102	4		2227	2088	465.50	24.631	69.9	65.5	103
5		2670	2620	279.10	18.88	65.4	64.2	101	5		2918	2864	291.78	21.571	65.4	64.2	102
6		2609	2586	188.92	16.02	51.0	50.6	101	6		2851	2826	197.51	18.301	51.0	50.6	102
1	2400	743	473	646.80	21.99	36.4	23.2	117	1	2500	806	514	673.75	24.847	36.4	23.2	118
2		1250	1015	604.84	24.32	51.7	42.0	109	2		1357	1101	630.04	27.483	51.7	42.0	110
3		1691	1483	568.63	26.13	61.2	53.7	105	3		1835	1609	592.32	29.527	61.2	53.7	106
4		2425	2274	485.74	27.99	69.9	65.5	104	4		2631	2467	505.98	31.632	69.9	65.5	105
5		3178	3118	304.47	24.51	65.4	64.2	104	5		3448	3384	317.16	27.702	65.4	64.2	105
6		3104	3077	206.09	20.80	51.0	50.6	104	6		3369	3339	214.68	23.502	51.0	50.6	105

- The A-Weighted sound ratings shown have been calculated per AMCA International Standard 301
- Value shown are for outlet LwOA sound power levels for installation type A – free inlet, free outlet with partition
- Performance certified is for installation type A – free inlet, free outlet with partition
- Performance ratings do not include the effects of appurtenances (accessories).

PERFORMANCE CURVE [630DLH]



Performance certified for installation type A: free inlet, free outlet with partition.
Performance ratings do not include the effects of appurtenances (accessories).



[630DLH]

PERFORMANCE DATA [630DLH]

Korea Air Conditioning Engineering Company / KACECO

Model : 630DLH

Wheel D/A. : 657 mm

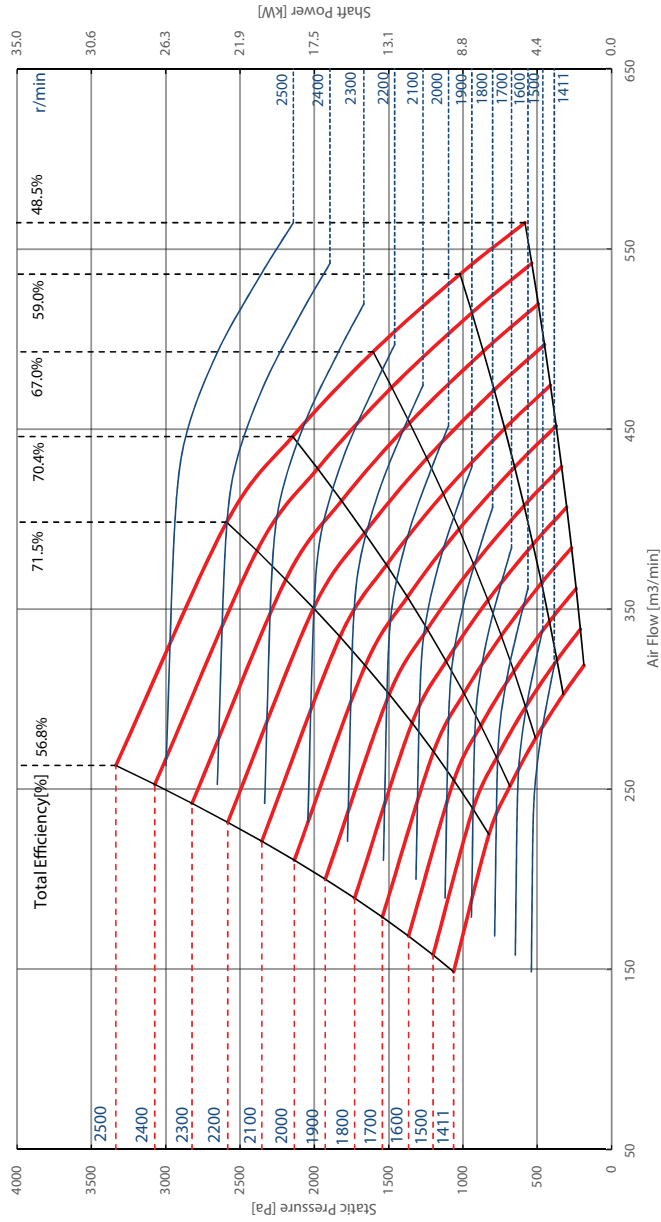
Outlet Area : 0.38 m²

Det.	N	Pt	Ps	Q	H	EtaT	EtaS	Lwi	Det.	N	Pt	Ps	Q	H	EtaT	EtaS	Lwi
	[r/min]	[Pa]	[Pa]	[m ³ /min]	[kW]	[%]	[%]	[dB(A)]		[r/min]	[Pa]	[Pa]	[m ³ /min]	[kW]	[%]	[%]	[dB(A)]
1	1411	349	232	313.77	3.30	55.4	36.8	96	1	1500	395	263	333.56	3.958	55.4	36.8	98
2		537	437	290.83	3.86	67.4	54.8	97	2		607	494	309.17	4.633	67.4	54.8	99
3		626	535	277.06	4.10	70.4	60.2	98	3		707	605	294.54	4.915	70.4	60.2	99
4		789	715	249.12	4.44	73.5	66.7	97	4		891	808	264.83	5.332	73.5	66.7	98
5		946	894	210.07	4.55	72.5	68.5	96	5		1069	1011	223.32	5.465	72.5	68.5	97
6		1127	1106	131.81	4.15	59.4	58.3	95	6		1273	1250	140.13	4.978	59.4	58.3	96
1	1600	449	299	355.80	4.81	55.4	36.8	99	1	1700	507	337	378.03	5.762	55.4	36.8	101
2		691	562	329.78	5.63	67.4	54.8	100	2		780	635	350.39	6.744	67.4	54.8	102
3		805	688	314.17	5.97	70.4	60.2	100	3		909	777	333.81	7.155	70.4	60.2	102
4		1014	920	282.49	6.48	73.5	66.7	100	4		1145	1038	300.15	7.762	73.5	66.7	101
5		1217	1150	238.21	6.64	72.5	68.5	99	5		1374	1298	253.10	7.955	72.5	68.5	100
6		1449	1422	149.47	6.05	59.4	58.3	98	6		1635	1606	158.81	7.247	59.4	58.3	99
1	1800	569	378	400.27	6.84	55.4	36.8	102	1	1900	633	422	422.51	8.044	55.4	36.8	104
2		874	711	371.00	8.01	67.4	54.8	103	2		974	793	391.61	9.415	67.4	54.8	104
3		1019	871	353.45	8.50	70.4	60.2	103	3		1135	970	373.08	9.989	70.4	60.2	105
4		1283	1164	317.80	9.22	73.5	66.7	103	4		1430	1297	335.46	10.836	73.5	66.7	104
5		1540	1455	267.98	9.45	72.5	68.5	102	5		1716	1622	282.87	11.106	72.5	68.5	103
6		1834	1800	168.15	8.61	59.4	58.3	101	6		2043	2006	177.50	10.118	59.4	58.3	102
1	2000	702	467	444.74	9.39	55.4	36.8	105	1	2100	774	515	466.98	10.861	55.4	36.8	106
2		1080	878	412.23	10.99	67.4	54.8	105	2		1190	968	432.84	12.712	67.4	54.8	107
3		1258	1075	392.72	11.66	70.4	60.2	106	3		1386	1185	412.35	13.487	70.4	60.2	107
4		1584	1437	353.11	12.64	73.5	66.7	105	4		1747	1585	370.77	14.630	73.5	66.7	106
5		1901	1797	297.76	12.96	72.5	68.5	104	5		2096	1981	312.65	14.996	72.5	68.5	105
6		2264	2223	186.84	11.81	59.4	58.3	104	6		2496	2450	196.18	13.661	59.4	58.3	105
1	2200	849	565	489.22	12.49	55.4	36.8	107	1	2300	928	618	511.46	14.269	55.4	36.8	108
2		1306	1063	453.45	14.62	67.4	54.8	108	2		1428	1162	474.06	16.701	67.4	54.8	109
3		1522	1301	431.99	15.51	70.4	60.2	108	3		1663	1422	451.63	17.718	70.4	60.2	109
4		1917	1739	388.42	16.83	73.5	66.7	107	4		2095	1901	406.08	19.221	73.5	66.7	108
5		2300	2174	327.54	17.25	72.5	68.5	106	5		2514	2376	342.42	19.701	72.5	68.5	108
6		2739	2689	205.52	15.71	59.4	58.3	106	6		2994	2939	214.86	17.947	59.4	58.3	107
1	2400	1011	673	533.69	16.22	55.4	36.8	109	1	2500	1097	730	555.93	18.325	55.4	36.8	110
2		1555	1265	494.67	18.98	67.4	54.8	110	2		1687	1372	515.28	21.447	67.4	54.8	111
3		1811	1548	471.26	20.14	70.4	60.2	110	3		1965	1680	490.90	22.754	70.4	60.2	111
4		2282	2070	423.74	21.84	73.5	66.7	109	4		2476	2246	441.39	24.684	73.5	66.7	110
5		2738	2587	357.31	22.39	72.5	68.5	109	5		2971	2807	372.20	25.300	72.5	68.5	110
6		3260	3200	224.20	20.40	59.4	58.3	108	6		3537	3473	233.55	23.048	59.4	58.3	109

- The A-Weighted sound ratings shown have been calculated per AMCA International Standard 301
- Value shown are for outlet LwoA sound power levels for installation type A – free inlet, free outlet with partition
- Performance certified is for installation type A – free inlet, free outlet with partition
- Performance ratings do not include the effects of appurtenances (accessories).

PERFORMANCE CURVE [630DLV]

Performance certified is for installation type A: free inlet, free outlet with partition.
 Performance ratings do not include the effects of appurtenances (accessories).



[630DLV]

PERFORMANCE DATA [630DLV]

Korea Air Conditioning Engineering Company / KACECO

Model : 630DLV

Wheel D.I.A. : 657 mm

Outlet Area : 0.37 m²

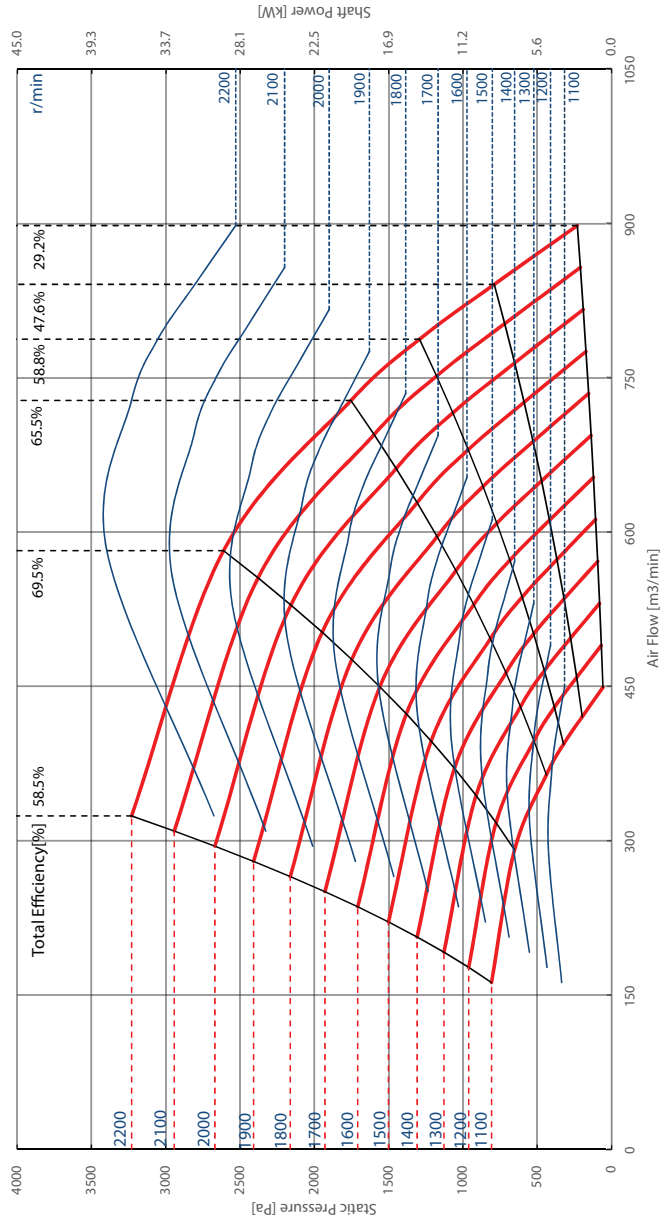
Det.	N [r/min]	Pt [Pa]	Ps [Pa]	Q [m ³ /min]	H [kW]	EtaT [%]	EtaS [%]	Lwi [dB(A)]	Det.	N [r/min]	Pt [Pa]	Ps [Pa]	Q [m ³ /min]	H [kW]	EtaT [%]	EtaS [%]	Lwi [dB(A)]
1	1411	308	185	318.77	3.37	48.5	29.2	97	1	1500	348	210	338.88	4.046	48.5	29.2	98
2		435	325	302.63	3.71	59.0	44.0	96	2		491	367	321.72	4.456	59.0	44.0	98
3		604	511	278.28	4.17	67.0	56.7	95	3		683	578	295.83	5.009	67.0	56.7	97
4		759	684	251.71	4.51	70.4	63.4	95	4		858	772	267.58	5.415	70.4	63.4	96
5		885	825	224.85	4.63	71.5	66.6	94	5		1000	932	239.04	5.553	71.5	66.6	96
6		1089	1062	148.55	4.72	56.8	55.5	93	6		1230	1201	157.92	5.666	56.8	55.5	95
1	1600	396	238	361.47	4.92	48.5	29.2	100	1	1700	447	269	384.06	5.890	48.5	29.2	101
2		559	417	343.17	5.41	59.0	44.0	99	2		631	471	364.62	6.486	59.0	44.0	101
3		777	657	315.56	6.08	67.0	56.7	98	3		877	742	335.28	7.292	67.0	56.7	100
4		977	879	285.42	6.58	70.4	63.4	98	4		1102	992	303.26	7.883	70.4	63.4	99
5		1138	1061	254.97	6.74	71.5	66.6	97	5		1285	1197	270.91	8.084	71.5	66.6	99
6		1400	1366	168.45	6.88	56.8	55.5	96	6		1580	1542	178.98	8.248	56.8	55.5	98
1	1800	501	302	406.65	7.00	48.5	29.2	102	1	1900	558	336	429.24	8.223	48.5	29.2	104
2		708	528	386.07	7.70	59.0	44.0	102	2		788	588	407.52	9.055	59.0	44.0	103
3		983	832	355.00	8.66	67.0	56.7	101	3		1095	927	374.72	10.181	67.0	56.7	103
4		1236	1112	321.10	9.36	70.4	63.4	101	4		1377	1239	338.94	11.006	70.4	63.4	102
5		1441	1342	286.85	9.60	71.5	66.6	100	5		1605	1496	302.78	11.285	71.5	66.6	102
6		1772	1729	189.51	9.80	56.8	55.5	99	6		1974	1926	200.04	11.514	56.8	55.5	101
1	2000	619	373	451.84	9.60	48.5	29.2	105	1	2100	682	411	474.43	11.102	48.5	29.2	106
2		874	652	428.96	10.57	59.0	44.0	104	2		963	719	450.41	12.226	59.0	44.0	106
3		1214	1027	394.45	11.88	67.0	56.7	104	3		1338	1132	414.17	13.746	67.0	56.7	105
4		1526	1373	356.78	12.84	70.4	63.4	103	4		1682	1514	374.62	14.860	70.4	63.4	105
5		1779	1657	318.72	13.17	71.5	66.6	103	5		1961	1827	334.65	15.238	71.5	66.6	104
6		2187	2134	210.57	13.43	56.8	55.5	102	6		2411	2353	221.09	15.547	56.8	55.5	103
1	2200	749	451	497.02	12.77	48.5	29.2	107	1	2300	818	493	519.61	14.586	48.5	29.2	108
2		1057	789	471.86	14.06	59.0	44.0	107	2		1155	862	493.31	16.063	59.0	44.0	108
3		1468	1242	433.89	15.81	67.0	56.7	106	3		1605	1358	453.61	18.059	67.0	56.7	107
4		1846	1662	392.46	17.09	70.4	63.4	106	4		2018	1816	410.30	19.523	70.4	63.4	107
5		2152	2005	350.59	17.52	71.5	66.6	105	5		2352	2192	366.52	20.019	71.5	66.6	106
6		2646	2583	231.62	17.88	56.8	55.5	104	6		2893	2823	242.15	20.425	56.8	55.5	105
1	2400	891	536	542.20	16.58	48.5	29.2	109	1	2500	967	582	564.80	18.731	48.5	29.2	110
2		1258	939	514.76	18.26	59.0	44.0	109	2		1365	1019	536.20	20.628	59.0	44.0	110
3		1747	1479	473.33	20.52	67.0	56.7	108	3		1896	1604	493.06	23.192	67.0	56.7	109
4		2197	1978	428.13	22.19	70.4	63.4	108	4		2384	2146	445.97	25.072	70.4	63.4	109
5		2561	2386	382.46	22.75	71.5	66.6	107	5		2779	2589	398.40	25.709	71.5	66.6	108
6		3150	3073	252.68	23.21	56.8	55.5	106	6		3417	3335	263.21	26.230	56.8	55.5	107

- The A-Weighted sound ratings shown have been calculated per AMCA International Standard 301
- Value shown are for outlet LwoA sound power levels for installation type A – free inlet, free outlet with partition
- Performance certified is for installation type A – free inlet, free outlet with partition
- Performance ratings do not include the effects of appurtenances (accessories).

PERFORMANCE CURVE [710DCH]



Performance certified is for installation type A: free inlet, free outlet with partition.
 Performance ratings do not include the effects of appurtenances (accessories).



[710DCH]

PERFORMANCE DATA [710DCH]

Model : 710DCH

Model :

Korea Air Conditioning Engineering Company / KACECO

Outlet Area : 0.64 m²

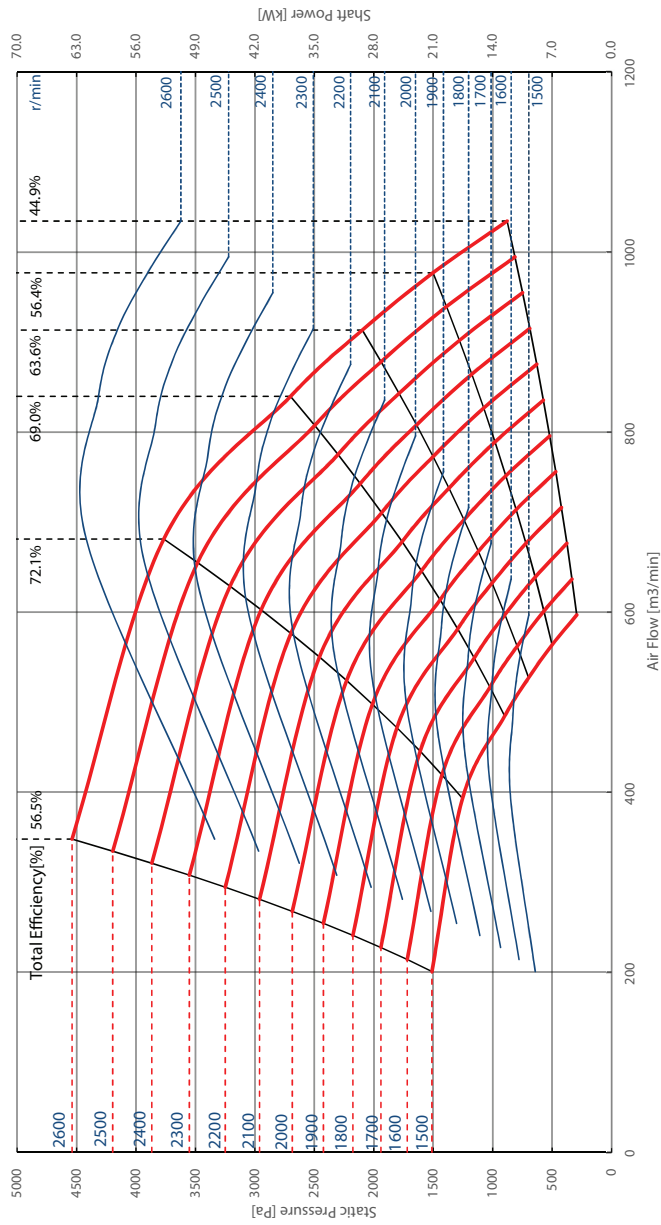
Wheel DIA. : 717.6 mm

Det.	N [r/min]	Pt [Pa]	Ps [Pa]	Q [m ³ /min]	H [kW]	EtaT [%]	EtaS [%]	Lwi [dB(A)]	Det.	N [r/min]	Pt [Pa]	Ps [Pa]	Q [m ³ /min]	H [kW]	EtaT [%]	EtaS [%]	Lwi [dB(A)]
1	1100	139	58	449.06	3.56	29.2	12.1	91	1	1200	165	68	489.88	4.617	29.2	12.1	94
2		268	197	420.47	3.95	47.6	35.0	90	2		319	235	458.70	5.119	47.6	35.0	92
3		385	323	393.78	4.30	58.8	49.3	89	3		459	384	429.58	5.575	58.8	49.3	91
4		492	438	364.00	4.55	65.5	58.4	88	4		585	522	397.09	5.897	65.5	58.4	90
5		687	653	291.00	4.78	69.5	66.0	87	5		817	777	317.45	6.201	69.5	66.0	89
6		818	807	162.04	3.77	58.5	57.7	87	6		973	961	176.77	4.885	58.5	57.7	89
1	1300	194	80	530.71	5.88	29.2	12.1	96	1	1400	225	93	571.53	7.332	29.2	12.1	98
2		375	275	496.92	6.51	47.6	35.0	94	2		435	319	535.15	8.128	47.6	35.0	96
3		538	451	465.38	7.09	58.8	49.3	93	3		624	523	501.18	8.852	58.8	49.3	95
4		687	612	430.18	7.50	65.5	58.4	92	4		796	710	463.28	9.364	65.5	58.4	94
5		959	912	343.91	7.89	69.5	66.0	91	5		1112	1057	370.36	9.847	69.5	66.0	93
6		1142	1128	191.51	6.22	58.5	57.7	92	6		1325	1308	206.24	7.757	58.5	57.7	93
1	1500	258	107	612.35	9.02	29.2	12.1	100	1	1600	294	122	653.18	10.944	29.2	12.1	101
2		499	367	573.37	10.00	47.6	35.0	98	2		568	417	611.60	12.133	47.6	35.0	100
3		717	601	536.98	10.89	58.8	49.3	97	3		815	683	572.78	13.214	58.8	49.3	98
4		914	815	496.37	11.52	65.5	58.4	96	4		1040	927	529.46	13.978	65.5	58.4	98
5		1277	1214	396.81	12.12	69.5	66.0	95	5		1453	1381	423.27	14.699	69.5	66.0	97
6		1521	1501	220.97	9.55	58.5	57.7	95	6		1730	1708	235.70	11.579	58.5	57.7	97
1	1700	331	137	694.00	13.13	29.2	12.1	103	1	1800	372	154	734.82	15.583	29.2	12.1	105
2		641	471	649.82	14.56	47.6	35.0	101	2		718	528	688.05	17.275	47.6	35.0	103
3		920	772	608.58	15.85	58.8	49.3	100	3		1032	865	644.37	18.814	58.8	49.3	102
4		1174	1047	562.55	16.77	65.5	58.4	99	4		1316	1174	595.64	19.902	65.5	58.4	101
5		1640	1559	449.72	17.64	69.5	66.0	99	5		1839	1748	476.18	20.928	69.5	66.0	100
6		1954	1928	250.43	13.89	58.5	57.7	99	6		2190	2162	265.16	16.486	58.5	57.7	101
1	1900	414	172	775.65	18.33	29.2	12.1	106	1	2000	459	190	816.47	21.376	29.2	12.1	108
2		800	588	726.27	20.32	47.6	35.0	105	2		887	652	764.49	23.697	47.6	35.0	106
3		1150	964	680.17	22.13	58.8	49.3	103	3		1274	1068	715.97	25.809	58.8	49.3	105
4		1467	1308	628.73	23.41	65.5	58.4	102	4		1625	1449	661.82	27.300	65.5	58.4	104
5		2049	1947	502.63	24.62	69.5	66.0	102	5		2270	2157	529.09	28.708	69.5	66.0	103
6		2440	2409	279.89	19.39	58.5	57.7	102	6		2704	2669	294.62	22.615	58.5	57.7	104
1	2100	506	210	857.29	24.75	29.2	12.1	109	1	2200	555	230	898.12	28.451	29.2	12.1	110
2		978	719	802.72	27.44	47.6	35.0	107	2		1073	789	840.94	31.540	47.6	35.0	109
3		1405	1177	751.77	29.88	58.8	49.3	106	3		1542	1292	787.57	34.351	58.8	49.3	107
4		1792	1597	694.91	31.61	65.5	58.4	105	4		1966	1753	728.00	36.337	65.5	58.4	106
5		2503	2379	555.54	33.24	69.5	66.0	105	5		2747	2611	582.00	38.211	69.5	66.0	106
6		2981	2943	309.35	26.18	58.5	57.7	105	6		3272	3230	324.09	30.100	58.5	57.7	107

- The A-Weighted sound ratings shown have been calculated per AMCA International Standard 301
- Value shown are for outlet LwOA sound power levels for installation type A – free inlet, free outlet with partition
- Performance certified is for installation type A – free inlet, free outlet with partition
- Performance ratings do not include the effects of appurtenances (accessories).

PERFORMANCE CURVE [710DCV]

Performance certified is for installation type A: free inlet, free outlet with partition.
 Performance ratings do not include the effects of appurtenances (accessories).



[710DCV]

PERFORMANCE DATA [710DCV]

Model : 710DCV

Model :

Korea Air Conditioning Engineering Company / KACECO

Outlet Area : 0.63 m²

Wheel DIA. : 717.6 mm

Det.	N [r/min]	Pt [Pa]	Ps [Pa]	Q [m ³ /min]	H [kW]	EtaT [%]	EtaS [%]	Lwi [dB(A)]	Det.	N [r/min]	Pt [Pa]	Ps [Pa]	Q [m ³ /min]	H [kW]	EtaT [%]	EtaS [%]	Lwi [dB(A)]
1	1500	441	292	596.94	9.74	44.9	29.8	98	1	1600	501	333	636.74	11.817	44.9	29.8	100
2		632	500	563.79	10.50	56.4	44.6	97	2		719	569	601.37	12.732	56.4	44.6	99
3		813	698	527.05	11.18	63.6	54.6	97	3		925	794	562.19	13.564	63.6	54.6	98
4		996	899	484.57	11.61	69.0	62.3	96	4		1133	1023	516.88	14.080	69.0	62.3	97
5		1317	1253	393.08	11.88	72.1	68.7	95	5		1499	1426	419.29	14.416	72.1	68.7	96
6		1527	1510	200.73	8.98	56.5	55.9	97	6		1737	1719	214.11	10.893	56.5	55.9	99
1	1700	566	376	676.54	14.18	44.9	29.8	102	1	1800	635	421	716.33	16.826	44.9	29.8	103
2		812	642	638.96	15.28	56.4	44.6	101	2		910	720	676.54	18.128	56.4	44.6	102
3		1044	896	597.33	16.27	63.6	54.6	100	3		1171	1005	632.46	19.313	63.6	54.6	101
4		1279	1154	549.18	16.89	69.0	62.3	99	4		1434	1294	581.48	20.047	69.0	62.3	100
5		1692	1610	445.50	17.30	72.1	68.7	98	5		1897	1805	471.70	20.526	72.1	68.7	100
6		1961	1940	227.50	13.07	56.5	55.9	101	6		2199	2175	240.88	15.510	56.5	55.9	102
1	1900	707	469	756.13	19.79	44.9	29.8	105	1	2000	783	520	795.93	23.081	44.9	29.8	106
2		1014	802	714.13	21.33	56.4	44.6	104	2		1123	889	751.72	24.867	56.4	44.6	105
3		1304	1120	667.60	22.72	63.6	54.6	103	3		1445	1240	702.74	26.492	63.6	54.6	104
4		1598	1442	613.79	23.58	69.0	62.3	102	4		1770	1598	646.09	27.500	69.0	62.3	103
5		2113	2011	497.91	24.15	72.1	68.7	101	5		2342	2228	524.11	28.156	72.1	68.7	103
6		2450	2423	254.26	18.25	56.5	55.9	104	6		2715	2685	267.64	21.276	56.5	55.9	105
1	2100	864	573	835.72	26.72	44.9	29.8	107	1	2200	948	629	875.52	30.721	44.9	29.8	108
2		1238	980	789.30	28.79	56.4	44.6	106	2		1359	1075	826.89	33.098	56.4	44.6	107
3		1593	1368	737.88	30.67	63.6	54.6	105	3		1749	1501	773.01	35.261	63.6	54.6	107
4		1952	1762	678.40	31.84	69.0	62.3	104	4		2142	1933	710.70	36.602	69.0	62.3	106
5		2582	2457	550.32	32.60	72.1	68.7	104	5		2833	2696	576.52	37.476	72.1	68.7	105
6		2993	2960	281.02	24.63	56.5	55.9	107	6		3285	3249	294.41	28.318	56.5	55.9	108
1	2300	1036	687	915.31	35.11	44.9	29.8	110	1	2400	1128	748	955.11	39.884	44.9	29.8	111
2		1486	1175	864.47	37.82	56.4	44.6	109	2		1618	1280	902.06	42.970	56.4	44.6	110
3		1911	1641	808.15	40.30	63.6	54.6	108	3		2081	1786	843.29	45.779	63.6	54.6	109
4		2341	2113	743.01	41.83	69.0	62.3	107	4		2549	2301	775.31	47.520	69.0	62.3	108
5		3097	2947	602.73	42.83	72.1	68.7	106	5		3372	3209	628.93	48.654	72.1	68.7	108
6		3590	3551	307.79	32.36	56.5	55.9	110	6		3909	3867	321.17	36.764	56.5	55.9	111
1	2500	1224	812	994.91	45.09	44.9	29.8	112	1	2600	1324	878	1034.70	50.709	44.9	29.8	113
2		1755	1388	939.65	48.57	56.4	44.6	111	2		1898	1502	977.23	54.632	56.4	44.6	112
3		2258	1938	878.42	51.75	63.6	54.6	110	3		2442	2096	913.56	58.203	63.6	54.6	111
4		2766	2497	807.62	53.72	69.0	62.3	109	4		2992	2700	839.92	60.417	69.0	62.3	110
5		3659	3482	655.14	55.00	72.1	68.7	109	5		3957	3766	681.35	61.859	72.1	68.7	110
6		4242	4196	334.55	41.56	56.5	55.9	112	6		4588	4538	347.93	46.743	56.5	55.9	114

- The A-Weighted sound ratings shown have been calculated per AMCA International Standard 301
- Value shown are for outlet LwoA sound power levels for installation type A – free inlet, free outlet with partition
- Performance certified is for installation type A – free inlet, free outlet with partition
- Performance ratings do not include the effects of appurtenances (accessories).



[HEADQUARTERS]

185, Pyeongtaekhang-ro 268beon-gil, Poseung-eup,
Pyeongtaek-si, Gyeonggi-do, Korea(17953)

TEL : +82-31-684-0022 | FAX : +82-31-684-2265

www.kaceco.com

[SALES OFFICE]

702~703, l'Valley, 149 Gongdan-ro, Gunpo-si,
Gyeonggi-do, 15845, Republic of Korea

TEL : +82-31-477-3104 | FAX : +82-31-477-3132