

DVN
AMCA





Casing

The Casing is made from sea water resistant aluminium. Base frame manufactured from galvanised steel with integrated inlet cone. Integrated bird guard manufactured from powder coated, galvanised steel.

Motor

DVN fans are equipped with AC motors suitable for 50Hz and 60Hz.

Output control

AC motors can be controlled by 5-step, stepless speed regulator, D/Y switch or frequency converter.

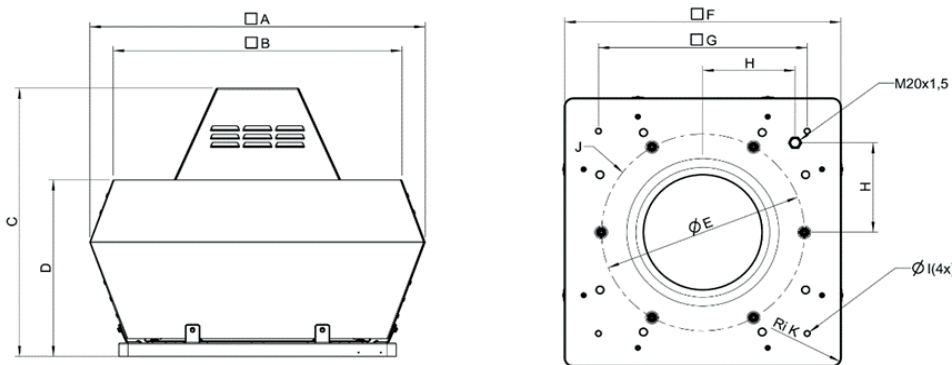
Motor protection

Depending on the type, AC motors have an integrated thermal protection with manual (electrical) reset, prewired integral thermocontact TK or thermistor PTC with leads to a motor protection device.

Impeller

The DVN fans use radial impeller with backward curved blades. These are made out of aluminum, dynamically balanced and paired with corresponding IEC motor with efficiency IE3 motor.

Dimension



Model	Article. no.	□A	□B	C	D	E	F	□G	H	I	J
DVN 355D4	251427	720	618	600	390	438	595	450	200	ø12 (4x)	ø9 (6x)
DVN 400D4 SA	269440	720	618	600	390	438	595	450	200	ø12 (4x)	ø9 (6x)
DVN 450D4 SA	278154	900	730	675	465	438	665	535	237	ø12 (4x)	ø9 (6x)
DVN 500D4	87807	900	730	675	465	438	665	535	237	ø12 (4x)	ø9 (6x)
DVN 560D4 SA	276508	1150	955	900	560	605	939	750	293	ø14 (4x)	ø9 (8x)
DVN 630D4 SA	276813	1150	955	900	560	605	939	750	293	ø14 (4x)	ø9 (8x)

Dimensions are in mm



Performance Data

Model	Article. no.	Voltage	Phase	Frequency	Rated power	Rated amps	Impeller speed	Sound power (*)
		V	~	HZ	W	A	r.p.m.	dB(A)
DVN 355D4	251427	380-400	3	60	370	1.02	1602	82
DVN 400D4 SA	269440	380-400	3	60	750	1.61	1714	85
DVN 450D4 SA	278154	380-400	3	60	1500	2.74	1736	91
DVN 500D4	87807	380-400	3	60	1500	2.74	1736	92
DVN 560D4 SA	276508	380-400	3	60	3000	6.04	1726	95
DVN 630D4 SA	276813	380-400	3	60	5500	10.6	1770	100

(*) Sound power values ratings shown at freeblowing at 0 Pa max rpm.

Performance certified is for installation type A: free inlet; free outlet.

Speed (RPM) shown is nominal. Performance is based on actual speed of test.

Performance ratings do not include the effects of appurtenances (accessories).

The sound ratings shown are in decibels, referred to 10⁻¹² Watts calculated AMCA standard 301. Values shown are for inlet LwIA for Installation type A.

Ratings do not include the effect of duct end correction.

Model	Article. no.	Air flow [m ³ /h]								Max Pa
		0 Pa	200 Pa	400 Pa	600 Pa	800 Pa	1000 Pa	1200 Pa	1400 Pa	
DVN 355D4	251427	3625	3009	2261	-	-	-	-	-	585.8
DVN 400D4 SA	269440	4959	4389	3746	2597	-	-	-	-	708
DVN 450D4 SA	278154	6910	6095	5373	4418	3135	-	-	-	898.2
DVN 500D4	87807	9480	8599	7997	6862	5890	-	-	-	1019.5
DVN 560D4 SA	276508	13253	12339	11383	10260	9218	8251	2184	-	1305.6
DVN 630D4 SA	276813	17710	16960	15893	15075	14049	12702	11048	7412	1606

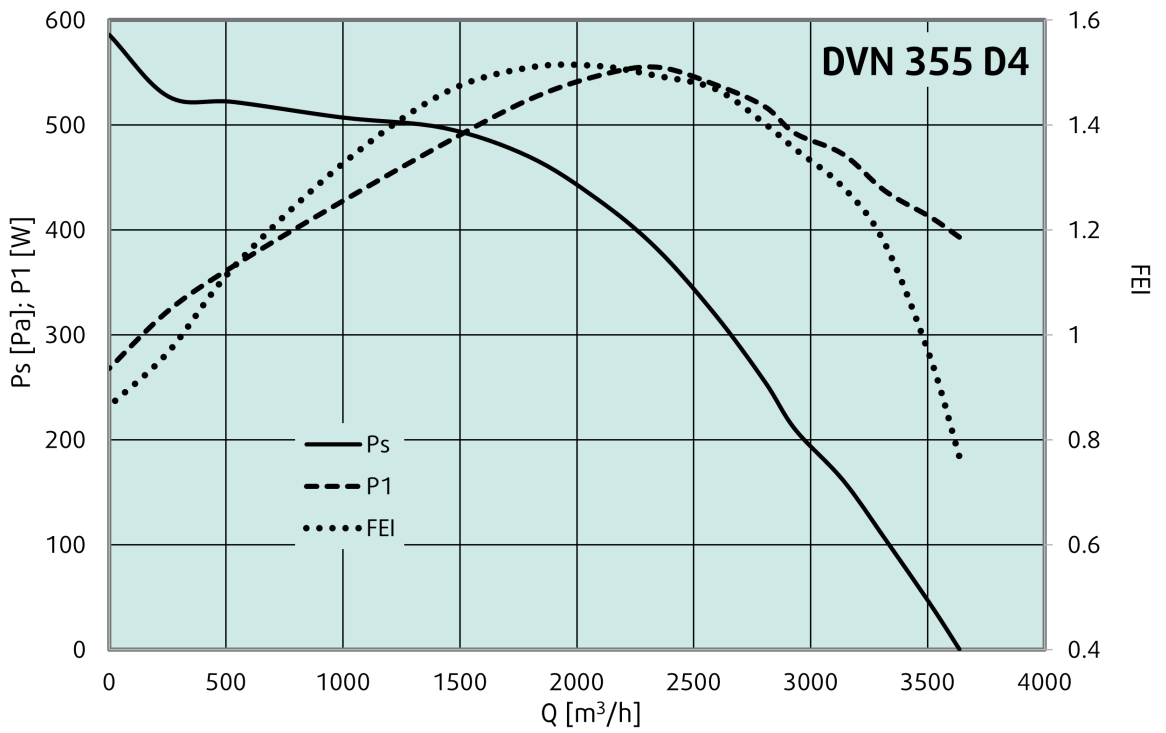


Systemair GmbH certifies that the DVN series shown herein is licensed to bear the AMCA seal. The ratings shown are based on tests and procedures performed in accordance with AMCA Publication 211 and AMCA Publication 311 and comply with the requirements of the AMCA Certified Ratings Program.

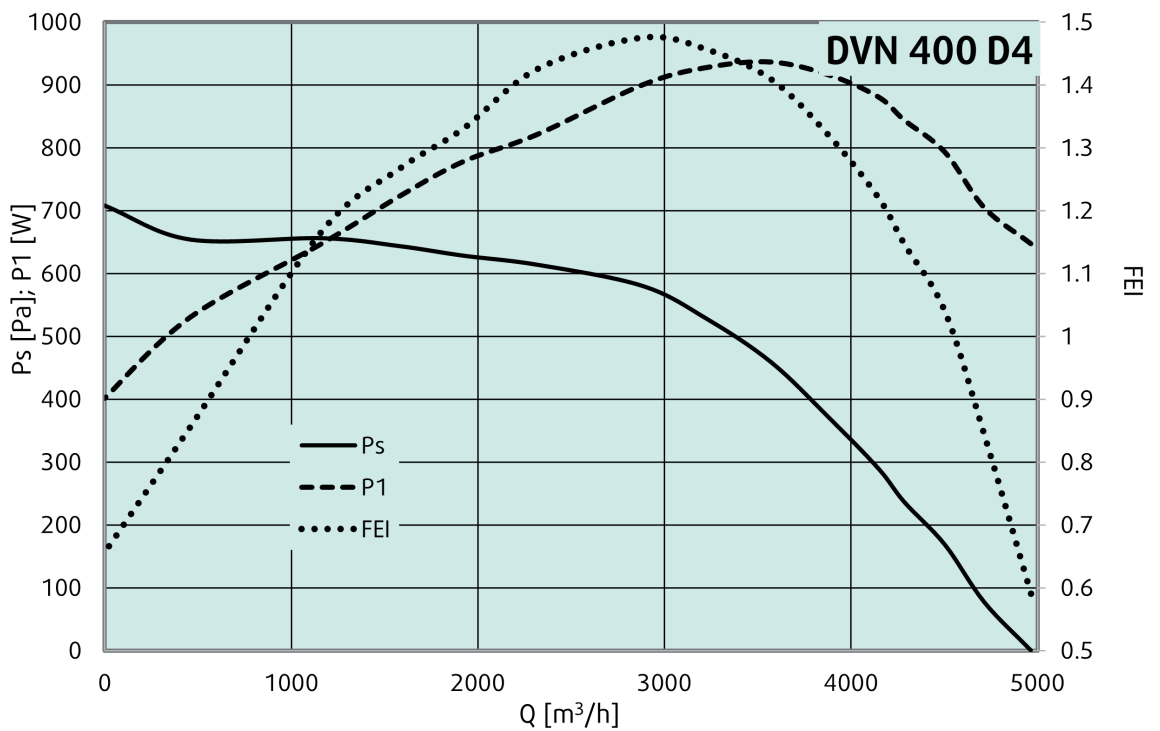
Performance Data



DVN 355D4

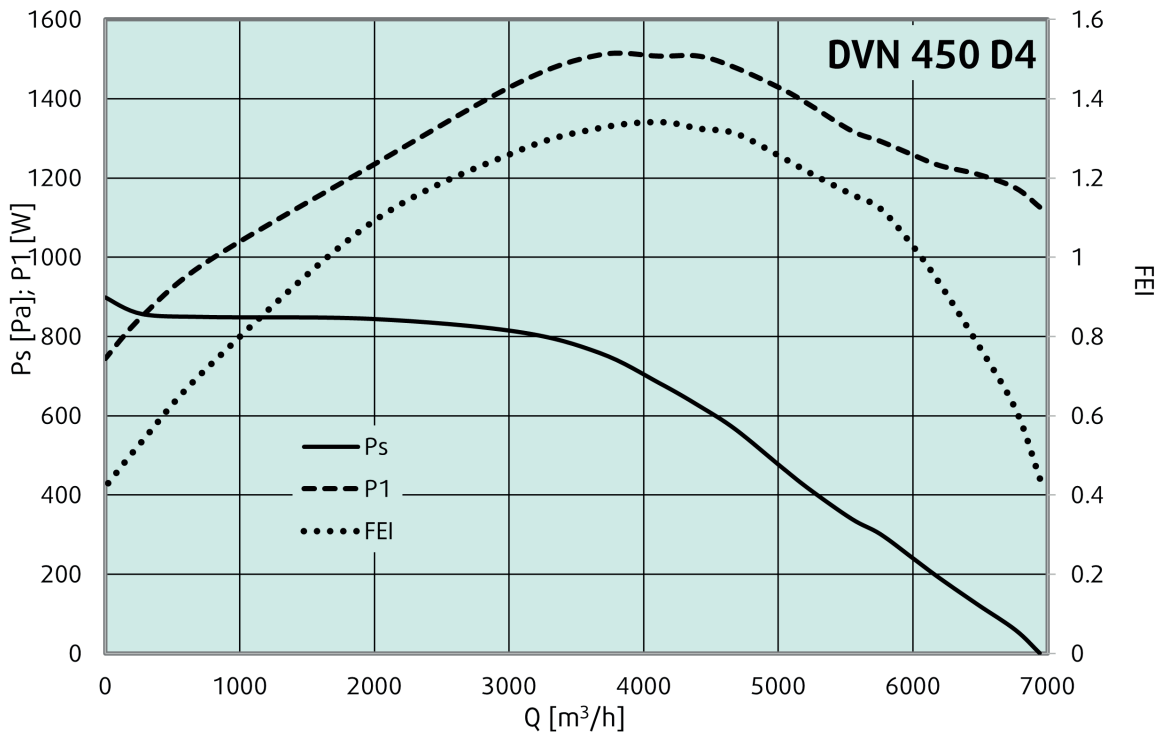


DVN 400D4 SA

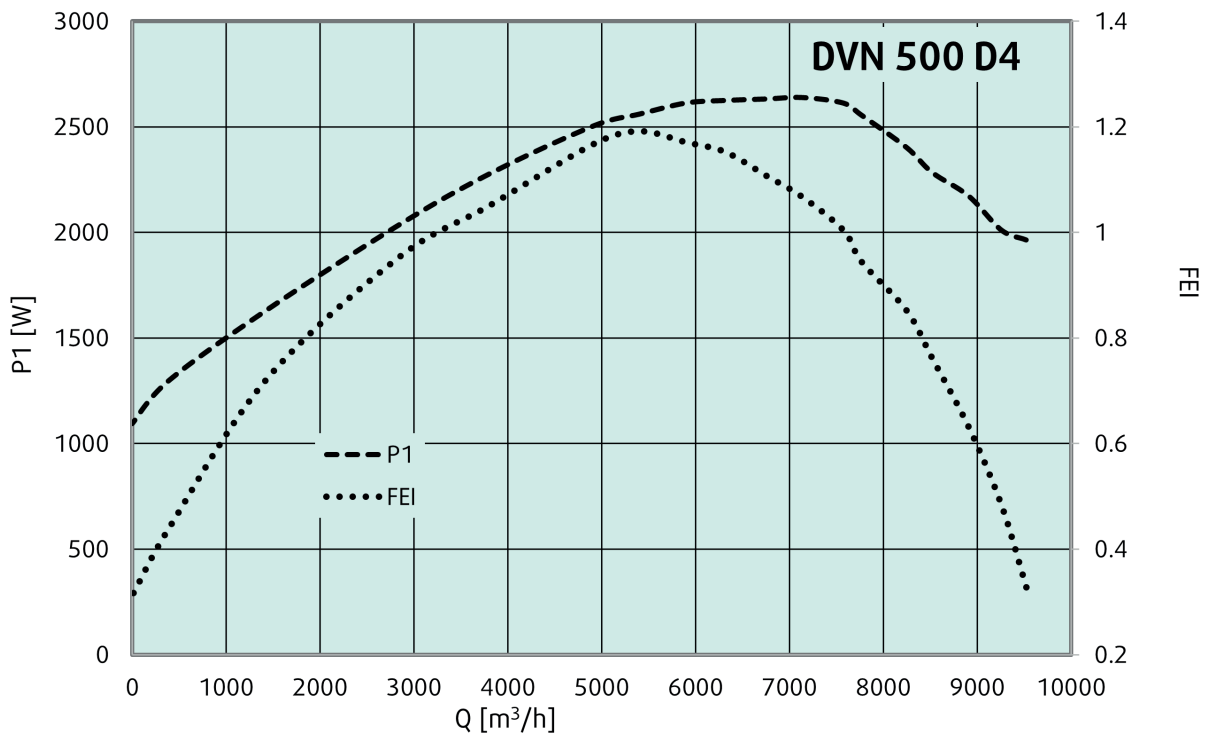




DVN 450D4 SA

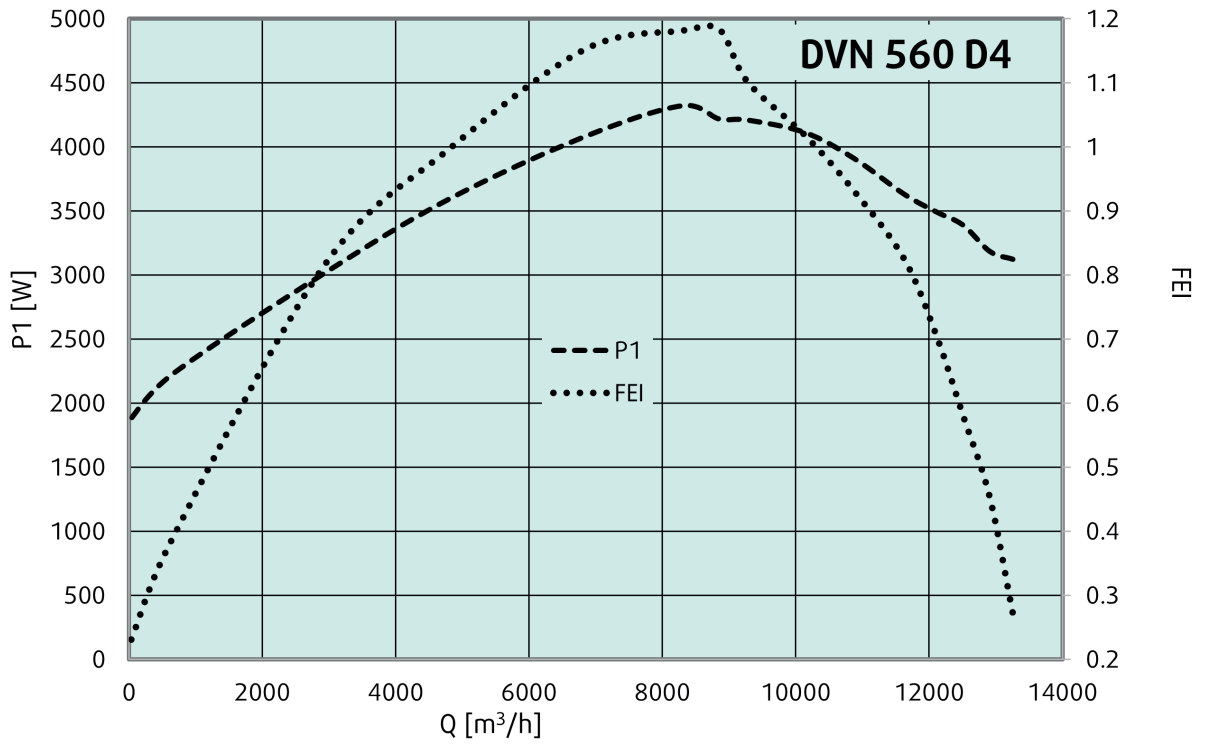


DVN 500D4





DVN 560D4 SA



DVN 630D4 SA

