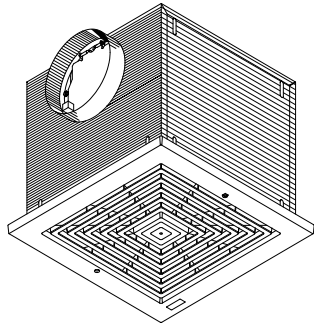
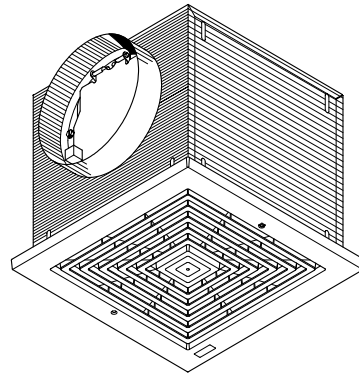


BROAN® NuTone®

AMCA Licensed Products



LoSone Select® Ventilators



Light Commercial Ventilators



AMCA Licensed Products Table of Contents

Products Licensed for Sound and Air Performance

<u>Model</u>	<u>Page</u>
L100	3
L150	3
L200	3
L250	3
L300	3
L400	4
L500	4
L700	4
L100L	5
L150L	5
L200L	5
L250L	5
L300L	5
L400L	5
L500L	5
L700L	5

Products Licensed for Sound and Air Performance

<u>Model</u>	<u>Page</u>
L100E	8
L150E	8
L200E	8
L250E	8
L300E	8

Products Licensed for Air Performance

<u>Model</u>	<u>Page</u>
L100EL	8
L150EL	8
L200EL	8
L250EL	8
L300EL	8

Accessory Products Not AMCA Licensed

<u>Model</u>	<u>Page</u>
RD1	11
RD2	11
RD3	11
LAF1	11
LAF2	11
MG1	11

LoSone Select[®] Ventilators

The industry's best value
in super-quiet specification
grade ventilators.

Broan LoSone Select[®] ventilators have been designed to give quality conscious architects, design engineers, builders and specifiers the ultimate in heavy duty, quiet ventilation.

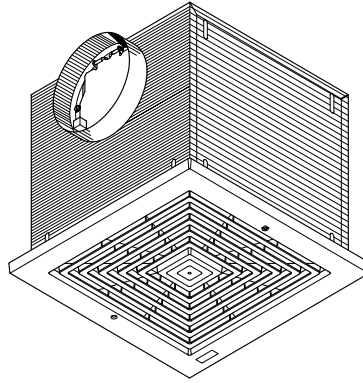
Available from 100 to 3500 CFM, all units use centrifugal blower wheels and low RPM motors on resilient mounts. Most have acoustic insulation inside a rugged, heavy duty housing for further sound reduction.

Perfect for offices, conference rooms, bathroom, hospital rooms... anywhere quiet, high-capacity ventilation is needed.

Their features include:

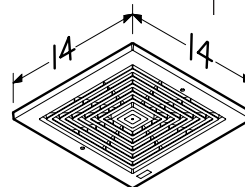
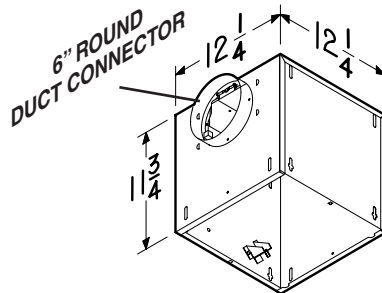
- Low RPM motors mounted on resilient mounts for quiet, vibration-free operation
- Motors designed for continuous operation—permanently lubricated
- Acoustic insulation inside rugged, heavy gauge galvanized steel housings (except in-line units)
- May be installed in ceiling or wall (size permitting)
- Balanced blower wheels for extremely low sound levels
- Attractive, low profile grilles
- May be ducted horizontally, vertically or as an in-line blower
- Quiet, built-in backdraft dampers

100 – 150 CFM Ceiling Mount Ventilators



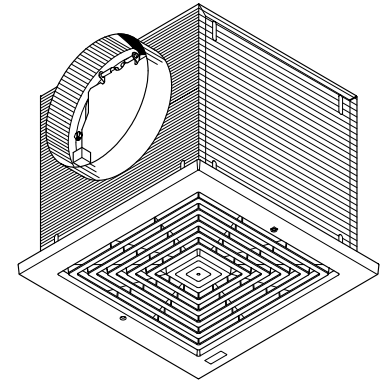
Models L100 , L150

- 120 VAC
- 6" round duct connector
- Low profile white polymeric grille
- Single, impact resistant centrifugal blower wheel



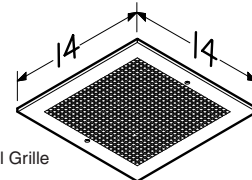
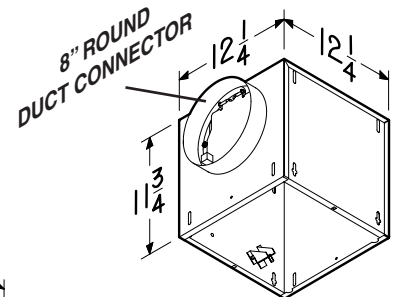
Polymeric Grille

200 – 250 – 300 CFM Ceiling Mount Ventilators



Models L200, L250, L300

- 120 VAC
- 8" round duct connector
- Low profile white polymeric grille
- Single, impact resistant centrifugal blower wheel



Metal Grille

See pages 6-7 for full performance information.

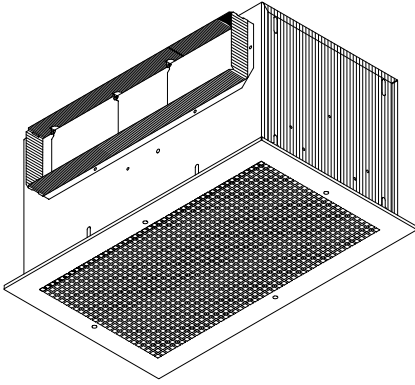


"Broan-NuTone LLC certifies that the models shown on page 9 are licensed to bear the AMCA Seal. The ratings shown are based on tests and procedures performed in accordance with AMCA Publication 211 and comply with the requirements of the AMCA Certified Ratings Program"



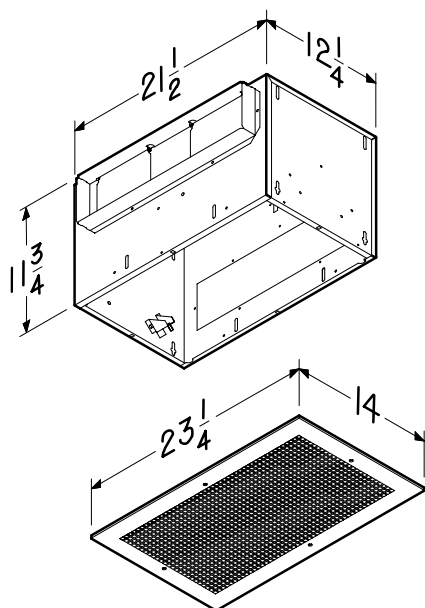
"Broan-NuTone LLC certifies that the models shown on pages 2 - 7 (inclusive) and 10 - 18 (inclusive) are licensed to bear the AMCA Seal. The ratings shown are based on tests and procedures performed in accordance with AMCA Publication 211 (and AMCA Publication 311 if sound is also certified) and comply with the requirements of the AMCA Certified Ratings Program"

400 – 500 – 700 CFM
Ceiling Mount Ventilators

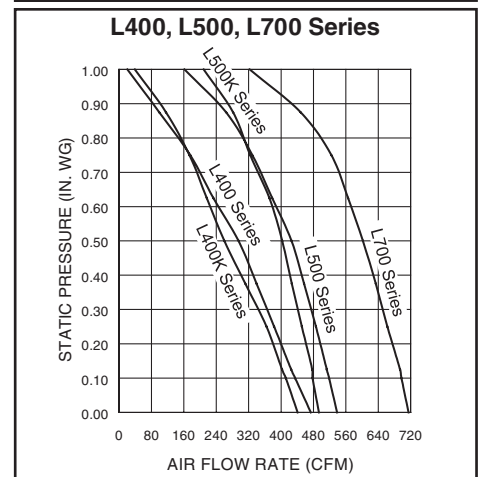
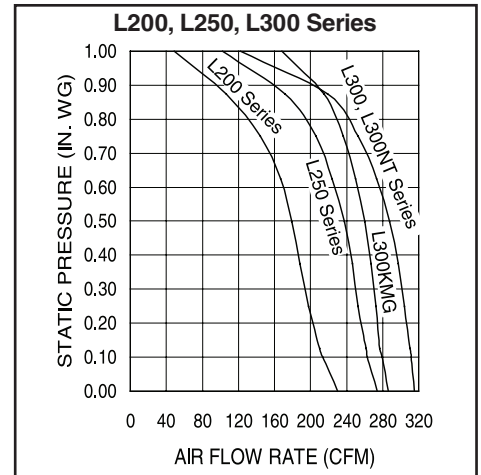
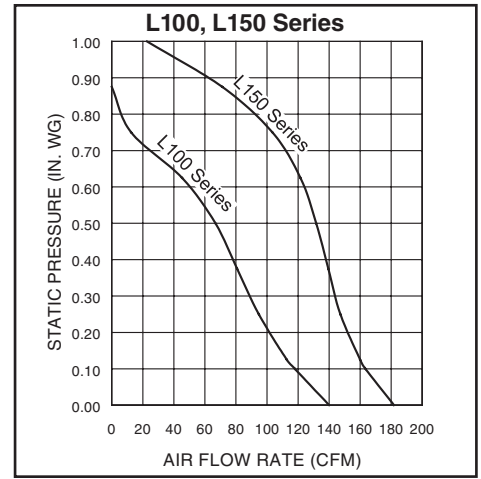


Models L400, L500, L700

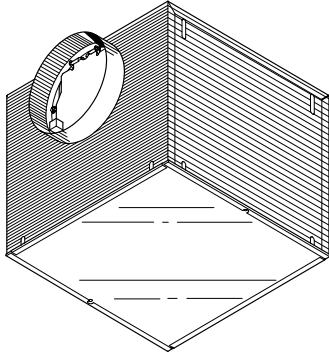
- 120 VAC
- 4½ x 18½” duct connector
- Sturdy, low profile metal grille finished with painted white enamel
- Two impact resistant centrifugal blower wheels



See pages 6-7 for full performance information.



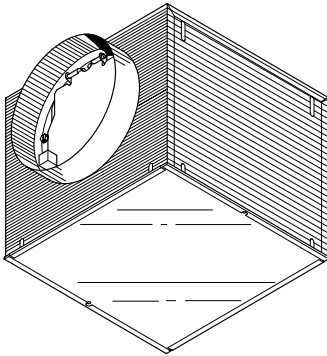
100 – 150 CFM
In-Line Ventilators



Models L100L, L150L

- 120 VAC
- Two 6" round duct connectors
- Removable access panel
- Single impact resistant centrifugal blower wheel
- Suitable for kitchen installation – no insulation inside housing

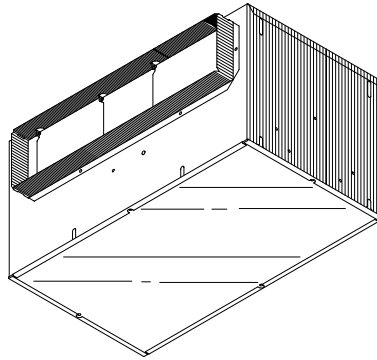
200 – 250 – 300 CFM
In-Line Ventilators



Models L200L, L250L, L300L

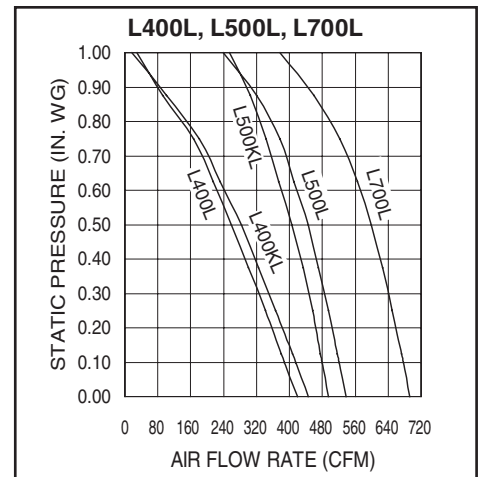
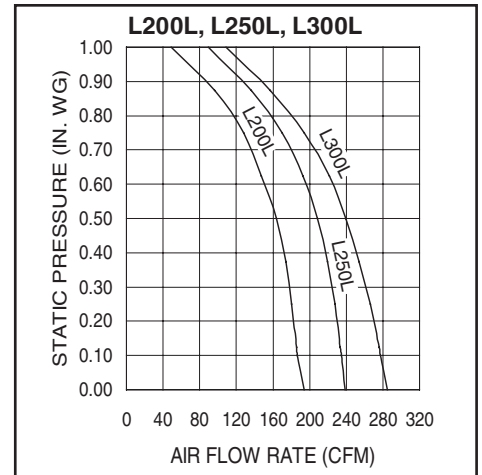
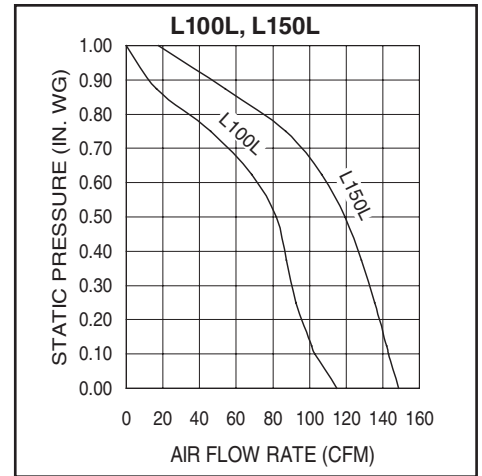
- 120 VAC
- Two 8" round duct connectors
- Removable access panel
- Single impact resistant centrifugal blower wheel
- Suitable for kitchen installation – no insulation inside housing

400 – 500 – 700 CFM
In-Line Ventilators



Models L400L, L500L, L700L

- 120 VAC
- Two 4½ x 18½" duct connectors
- Removable access panel
- Two impact resistant centrifugal blower wheels



See pages 6-7 for full performance information.

LoSone Select® Ceiling Mount Ventilators – AMCA Licensed Performance

CFM / SONES - AT STATIC PRESSURES (Ps - inches of H ₂ O)															
MODEL NO.	NOMINAL VOLTAGE	MAX AMPS @60 Hz	WATTS		0.0" Ps	.10" Ps	.125" Ps	.250" Ps	.375" Ps	.50" Ps	.625" Ps	.750" Ps	.875" Ps	1.0" Ps	RPM @ .125"
L100	120 VAC	1.0	88	CFM Hor.	136	115	109	93	80	65	44	12			640
				SONES Hor.	0.5	0.8	0.9	1.3	1.8	2.3	3.0	3.2			
				CFM Ver.	138	117	112	94	80	67	46	13		650	
				SONES Ver.	0.7	0.9	1.0	1.3	1.8	2.2	2.8	3.0			
L150	120 VAC	1.2	96	CFM Hor.	181	161	157	141	132	124	114	94	62		710
				SONES Hor.	1.3	1.4	1.5	2.2	2.6	3.1	3.6	4.1	4.6		
				CFM Ver.	179	163	160	149	142	133	122	105	73	23	750
				SONES Ver.	1.4	1.6	1.6	2.0	2.5	3.0	3.3	3.6	3.9	4.2	
L200	120 VAC	1.6	124	CFM Hor.	231	214	210	196	186	177	165	144	113	51	740
				SONES Hor.	1.6	1.8	1.7	2.3	2.9	3.5	4.1	4.9	5.3	5.3	
				CFM Ver.	224	210	207	197	187	179	167	144	99	41	760
				SONES Ver.	1.5	1.8	2.0	2.3	2.7	3.4	4.0	4.5	5.1	5.2	
L250	120 VAC	2.0	160	CFM Hor.	272	261	259	250	242	233	218	201	165	99	830
				SONES Hor.	2.1	2.3	2.2	2.9	3.3	3.9	4.4	4.8	5.5	5.8	
				CFM Ver.	269	261	259	253	248	239	224	203	171	101	860
				SONES Ver.	2.3	2.6	2.7	3.0	3.3	3.7	4.2	4.7	5.4	5.6	
L300	120 VAC	2.6	204	CFM Hor.	312	309	308	303	296	287	273	254	219	125	935
				SONES Hor.	2.8	2.9	2.9	3.3	3.5	3.9	4.3	4.7	5.1	5.6	
				CFM Ver.	319	314	313	306	299	288	274	251	219	120	950
				SONES Ver.	2.6	2.9	3.0	3.4	3.6	3.9	4.4	4.7	5.0	5.5	
L400	120 VAC	1.3	137	CFM Hor.	480	442	434	388	344	299	229	182	114	33	735
				SONES Hor.	2.0	2.4	2.3	2.8	3.3	3.8	4.5	4.8	5.4	5.6	
				CFM Ver.	467	428	416	378	335	291	237	170	85	8	755
				SONES Ver.	2.3	2.6	2.6	3.0	3.5	4.0	5.1	5.5	5.7	5.9	
L500	120 VAC	2.0	207	CFM Hor.	538	520	514	491	463	434	389	339	282	186	810
				SONES Hor.	3.0	3.1	3.3	3.6	4.0	4.4	5.0	5.7	6.2	6.7	
				CFM Ver.	539	517	512	481	451	418	367	319	247	137	865
				SONES Ver.	2.9	3.1	3.2	3.4	3.8	4.2	4.8	5.9	6.3	6.4	
L700	120 VAC	2.7	298	CFM Hor.	722	704	701	667	640	607	571	534	453	333	960
				SONES Hor.	4.5	4.6	4.7	4.8	5.0	5.2	5.6	6.2	7.1	7.2	
				CFM Ver.	708	691	687	658	628	597	560	515	444	312	985
				SONES Ver.	5.2	5.0	5.0	5.7	5.8	6.1	6.4	7.4	7.1	7.6	

Performance ratings include the effects of inlet grille and backdraft damper. Speed (RPM) shown is nominal. Performance is based on actual speed of test. The sound ratings shown are loudness values in fan sones at 5' (1.5m) in a hemispherical free field calculated per AMCA Std. 301. Values shown are for Installation Type B: free inlet hemispherical sone levels. Performance certified is for Installation Type B: Free inlet, Ducted outlet.

* Suitable for kitchen installations

LoSone Select® In-Line Ventilators – AMCA Licensed Performance

CFM / SONES - AT STATIC PRESSURES (Ps - inches of H ₂ O)																
MODEL NO.	NOMINAL VOLTAGE	MAX AMPS @ 60 Hz	WATTS		0.0" Ps	.10" Ps	.125" Ps	.250" Ps	.375" Ps	.50" Ps	.625" Ps	.750" Ps	.875" Ps	1.0" Ps	RPM @ .125"	
L100L*	120 VAC	1.0	88	CFM St.Thr.	121	108	106	97	93	86	70	44	17		760	
				SONES St.Thr.	0.5	0.7	0.7	1.1	1.4	1.8	2.1	2.4	2.6			
				CFM Rt. Ang.	109	98	96	88	82	78	67	48	16		785	
				SONES Rt. Ang.	0.5	0.8	0.8	1.2	1.6	2.0	2.3	2.5	2.8			
L150L*	120 VAC	1.2	96	CFM St.Thr.	153	148	147	140	134	125	111	91	54	18	920	
				SONES St.Thr.	0.9	1.0	1.1	1.4	1.6	1.9	2.1	2.2	2.4	2.6		
				CFM Rt. Ang.	144	138	137	131	123	114	102	83	54	17	955	
				SONES Rt. Ang.	1.2	1.4	1.4	1.6	1.9	2.1	2.4	2.5	2.7	2.9		
L200L*	120 VAC	1.6	124	CFM St.Thr.	205	196	195	190	185	175	158	135	96	47	870	
				SONES St.Thr.	1.7	1.9	1.9	2.1	2.3	2.4	3.0	3.3	3.4	3.4		
				CFM Rt. Ang.	183	177	176	170	163	152	137	121	96	51	935	
				SONES Rt. Ang.	1.6	1.6	1.6	1.9	2.3	2.7	2.9	3.1	3.4	3.6		
L250L*	120 VAC	2.0	160	CFM St.Thr.	248	245	245	241	235	224	208	183	141	84	1010	
				SONES St.Thr.	2.0	2.3	2.3	2.6	2.8	3.2	3.4	3.6	3.9	3.8		
				CFM Rt. Ang.	229	224	222	214	204	193	177	157	132	95	1115	
				SONES Rt. Ang.	2.4	2.5	2.6	2.8	3.0	3.2	3.4	3.7	3.8	3.8		
L300L*	120 VAC	2.6	2.04	CFM St.Thr.	300	294	293	285	274	259	243	214	168	113	1090	
				SONES St.Thr.	2.9	3.0	3.1	3.3	3.4	3.5	3.6	3.7	4.0	3.9		
				CFM Rt. Ang.	270	261	259	248	234	220	200	174	146	104	1285	
				SONES Rt. Ang.	3.7	3.7	3.7	3.7	3.9	3.9	4.0	4.2	4.4	4.0		
L400L	120 VAC	1.3	137	CFM St.Thr.	450	415	406	360	313	271	223	167	90	6	780	
				SONES St.Thr.	1.4	1.6	1.6	1.9	2.2	2.6	2.9	3.4	3.6	3.9		
				CFM Rt. Ang.	442	415	408	372	336	296	239	193	111	28	875	
				SONES Rt. Ang.	1.6	1.7	1.7	2.0	2.4	2.6	3.1	3.4	3.9	4.1		
L500L	120 VAC	2.0	207	CFM St.Thr.	546	526	519	496	472	447	407	364	306	232	890	
				SONES St.Thr.	2.4	2.4	3.4	3.7	3.9	3.8	3.9	4.0	4.3	4.3		
				CFM Rt. Ang.	528	516	513	494	470	446	415	389	334	247	980	
				SONES Rt. Ang.	2.9	3.8	3.4	3.7	3.5	3.6	3.9	4.0	4.2	4.4		
L700L	120 VAC	2.7	298	CFM St.Thr.	704	686	681	656	631	604	575	533	480	412	1090	
				SONES St.Thr.	3.6	3.8	3.7	3.9	4.0	4.2	4.3	4.4	4.7	5.0		
				CFM Rt. Ang.	680	667	663	644	621	594	557	513	440	342	1210	
				SONES Rt. Ang.	5.0	5.0	5.0	5.3	5.2	5.1	5.3	5.5	5.4	5.5		

Performance ratings include the effects of backdraft damper. Speed (RPM) shown is nominal. Performance is based on actual speed of test. The sound ratings shown are loudness values in fan sones at 5' (1.5m) in a hemispherical free field calculated per AMCA Std. 301. Values shown are for Installation Type D: Ducted inlet, Ducted outlet. Ratings do not include the effect of duct end correction. Performance ratings include the effects of 18 feet of round inlet duct and, if needed, a rectangular to round duct transition. Performance certified is for Installation Type D: Ducted inlet, Ducted outlet.



Light Commercial Ventilators

The industry's best value in super-quiet specification grade ventilators.

Broan Light Commercial ventilators have been designed to give quality conscious architects, design engineers, builders and specifiers the ultimate in heavy duty, quiet ventilation.

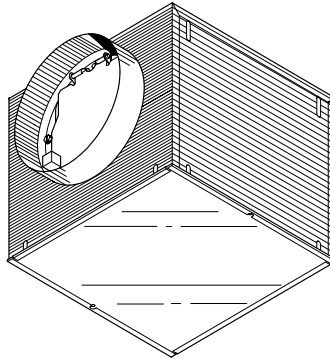
Available from 100 to 300 CFM, all units use centrifugal blower wheels and low RPM motors on resilient mounts. Most have acoustic insulation inside a rugged, heavy duty housing for further sound reduction.

Perfect for offices, conference rooms, bathroom, hospital rooms... anywhere quiet, high-capacity ventilation is needed.

Their features include:

- Low RPM motors mounted on resilient mounts for quiet, vibration-free operation
- Motors designed for continuous operation—permanently lubricated
- Ceiling mount units have acoustic insulation inside rugged, heavy gauge galvanized steel housings
- May be installed in ceiling or wall (size permitting)
- Balanced blower wheels for extremely low sound levels
- Attractive, low profile grilles
- Ceiling mount units may be ducted horizontally or vertically
- Inline units ducted horizontally
- Quiet, built-in backdraft dampers

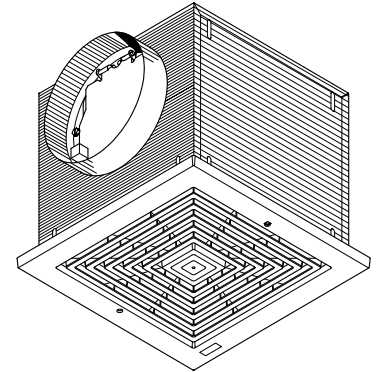
100 – 150 –
200 – 250 – 300 CFM
In-Line Ventilators



Models L100EL, L150EL, L200EL, L250EL, L300EL

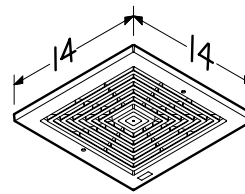
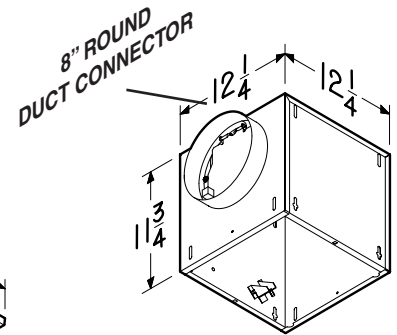
- 120 VAC
- Two 8" round duct connectors
- Removable access panel
- Single impact resistant centrifugal blower wheel
- Suitable for kitchen installation – no insulation inside housing

100 – 150 –
200 – 250 – 300 CFM
Ceiling Mount Ventilators

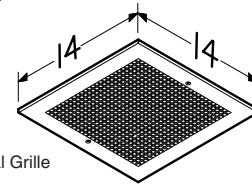


Models L100E, L150E, L200E, L250E, L300E

- 120 VAC
- 8" round duct connector
- Low profile white polymeric grille
- Single, impact resistant centrifugal blower wheel



Polymeric Grille



Metal Grille



"Broan-NuTone LLC certifies that the models shown on page 9 are licensed to bear the AMCA Seal. The ratings shown are based on tests and procedures performed in accordance with AMCA Publication 211 and comply with the requirements of the AMCA Certified Ratings Program"



"Broan-NuTone LLC certifies that the models shown on pages 2 - 7 (inclusive) and 10 - 18 (inclusive) are licensed to bear the AMCA Seal. The ratings shown are based on tests and procedures performed in accordance with AMCA Publication 211 (and AMCA Publication 311 if sound is also certified) and comply with the requirements of the AMCA Certified Ratings Program"

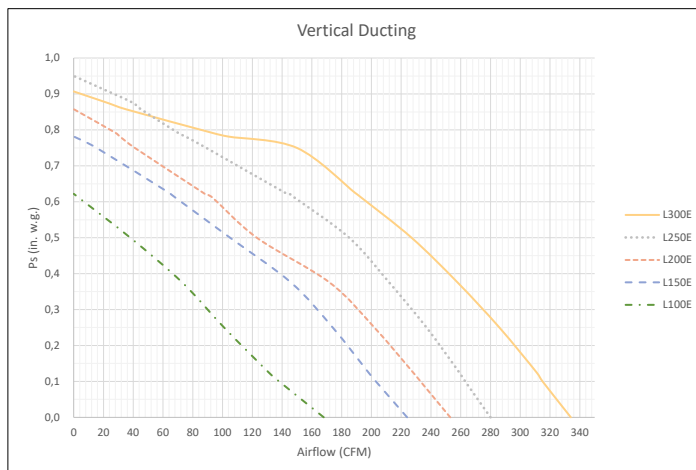
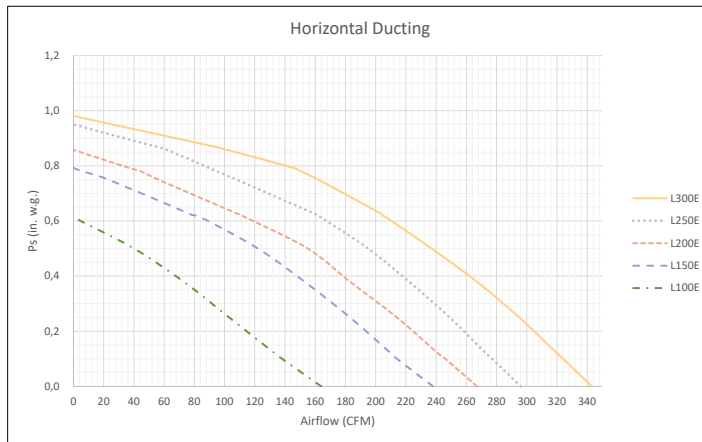
See pages 9-10 for full performance information.

PERFORMANCE RATINGS - LIGHT COMMERCIAL ENERGY STAR® CERTIFIED CEILING MOUNT VENTILATORS L100E, L150E, L200E, L250E & L300E

AMCA LICENSED PERFORMANCE

MODEL NO.		STATIC PRESSURE (Inches water gage)									NOMINAL RPM	MAX. AMPS @60 Hz	AC VOLTS
		0.0	0.1	0.125	0.25	0.375	0.5	0.625	0.75	0.875			
L100E	CFM Hor.	164	138	132	103	74	40				803	0.3	120
	SONES Hor.	0.2	0.3		0.7								
L100E	CFM Ver.	168	138	131	101	73	38				799	0.3	120
	SONES Ver.	0.1	0.2		0.8								
L150E	CFM Hor.	238	214	209	183	154	122	77			972	0.4	120
	SONES Hor.	1.0	1.0		1.1								
L150E	CFM Ver.	224	203	198	174	146	105	64			990	0.4	120
	SONES Ver.	0.9	0.9		1.0								
L200E	CFM Hor.	267	246	240	214	184	155	109	56		1031	0.5	120
	SONES Hor.	1.5	1.5		1.7								
L200E	CFM Ver.	253	233	228	202	172	123	87	41		1063	0.5	120
	SONES Ver.	1.4	1.3		1.5								
L250E	CFM Hor.	296	277	272	249	223	195	160	108	51	1128	0.6	120
	SONES Hor.	1.9	1.9		1.8								
L250E	CFM Ver.	280	263	259	237	212	185	142	89	40	1144	0.6	120
	SONES Ver.	1.9	1.8		1.8								
L300E	CFM Hor.	343	324	319	295	268	237	204	162	89	1189	0.7	120
	SONES Hor.	3.0	2.9		2.7								
L300E	CFM Ver.	334	315	311	286	258	227	189	150	20	1207	0.7	120
	SONES Ver.	2.9	2.7		2.6								

Performance ratings including the effects of inlet grille and backdraft damper in the airstream. Speed (RPM) shown is nominal. Performance is based on actual speed test. The sound ratings shown are tested to 1/3 octave, Spherical Sones to AMCA 300. Values shown are for installation Type B: Free inlet fan sone levels. Performance shown is for Installation Type B: Unducted inlet, Ducted outlet.

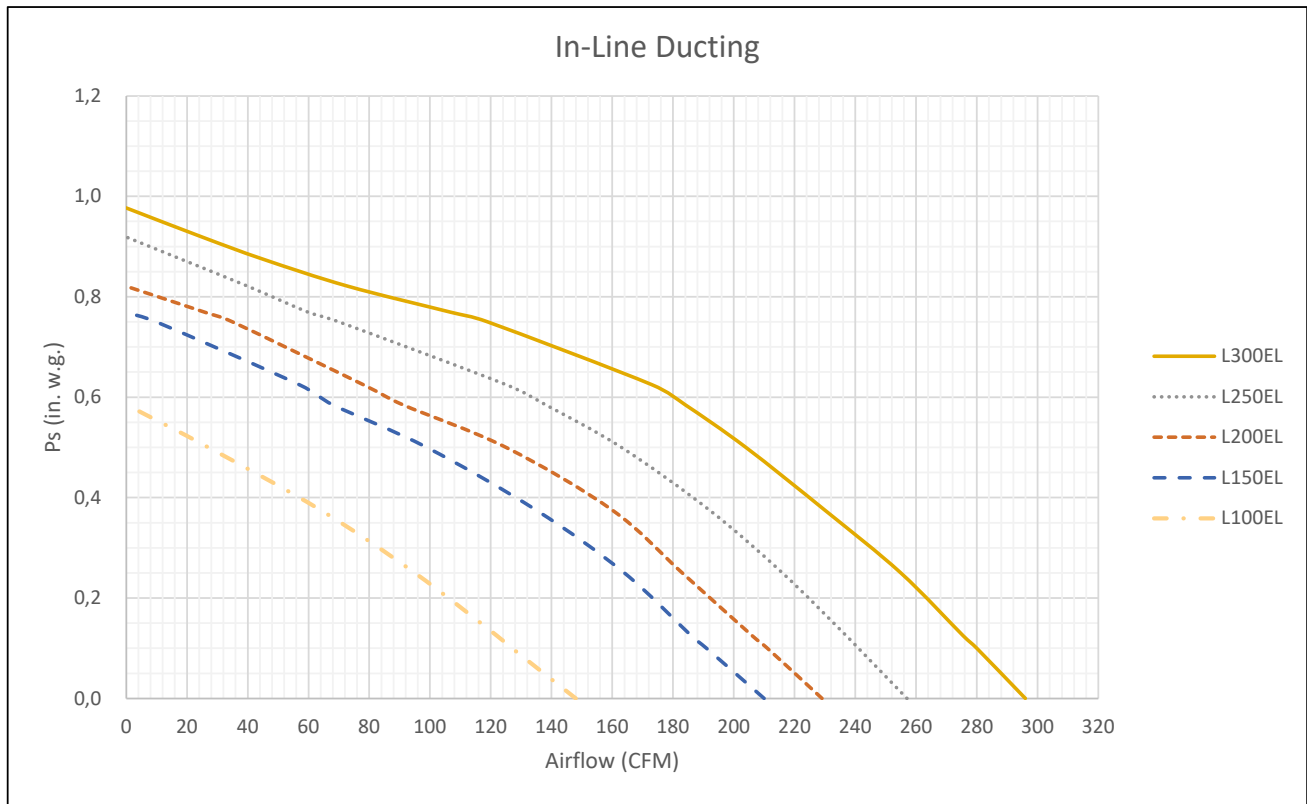


PERFORMANCE RATINGS - LIGHT COMMERCIAL ENERGY STAR® CERTIFIED IN-LINE VENTILATORS L100EL, L150EL, L200EL, L250EL & L300EL

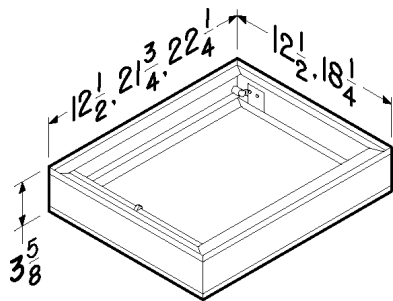
AMCA LICENSED PERFORMANCE

MODEL NO.		STATIC PRESSURE (Inches water gage)									NOMINAL RPM	MAX. AMPS @60 Hz	AC VOLTS
		0.0	0.1	0.125	0.25	0.375	0.5	0.625	0.75	0.875			
L100EL	CFM	148	127	122	95	64	27				853	0.3	120
L150EL	CFM	210	191	186	164	135	99	57			1023	0.4	120
L200EL	CFM	229	211	206	183	160	125	78	35		1089	0.5	120
L250EL	CFM	257	241	237	216	192	163	125	70		1158	0.6	120
L300EL	CFM	296	280	275.5	255	230	204	173	119	45	1256	0.7	120

Performance ratings including the effects of a backdraft damper. Speed (RPM) shown is nominal. Performance is based on actual speed test. CFM Performance shown is for Installation Type D: Ducted inlet, Ducted outlet.

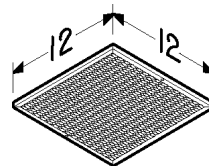


Broan LoSone Select®
 Accessories for Ceiling Mount
 and In-Line Ventilators



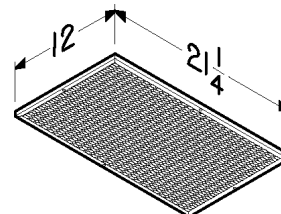
Model RD1, RD2, RD3
 Radiation Dampers

- UL Listed – classified for use in 1, 2, or 3 hour fire-rated ceilings
- Galvanized steel frame
- High temperature, non-asbestos, reinforced fiber thermal fabric
- 212°F fusible link
- Stainless steel negator-type closure spring
- RD1 (12½" x 12½") fits L100, L150, L200, L250, L300 Series
- RD2 (21¾" x 12½") fits L400, L500, L700 Series



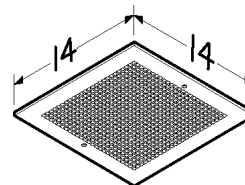
Model LAF1 Grease Filter

- Dishwasher safe, aluminum mesh filter traps grease and protects motor
- Fits L300KMG



Model LAF2 Grease Filter

- Dishwasher safe, aluminum mesh filter traps grease and protects motor
- Fits L400K, L500K



Model MG1 Metal Grille Kit

- Steel, painted white enamel
- Mounting screws included
- Fits L100, L150, L200, L250, L300 Series