

Round Butterfly Damper



Dianduo Engineering JiangSu Co.,Ltd. certifies that the RBD (Round Butterfly Damper) shown herein is licensed to bear the AMCA Seal. The ratings shown are based on tests and procedures performed in accordance with AMCA Publication 511 and comply with the requirements of the AMCA Certified Ratings Program. The AMCA Certified Ratings Seal applies to Air Leakage and Air Performance ratings.

Ratings

Pressure: 0 to 2.0KPa pressure differential

Temperature: 0°C to 49°C

Leakage: Class 1A at 0.25KPa

Class 1 at 1.0KPa

Class 1 at 2.5KPa

Standard Construction

Frame: Stainless Steel

Blade: Stainless Steel with Seal

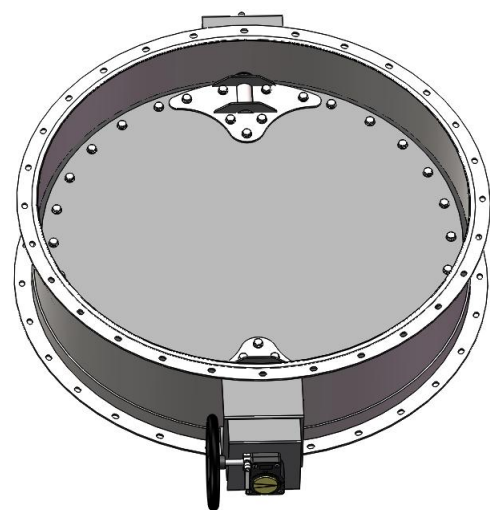
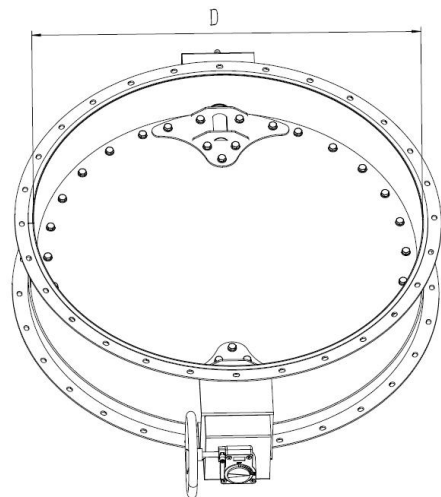
Damper Sizes

Minimum Size: 100mm (D)

Maximum Size: 914mm (D)

Description

RBD is a low leakage volume control damper. It can be installed vertically or horizontally position, with electric or handed actuators.



Test Information

Air leakage is based on operation between 0°C to 49°C

Tested for air leakage in accordance with ANSI/AMCA Standard 500-D, Figure 5.6A

Tested for air performance in accordance with ANSI/AMCA Standard 500-D, Figure 5.3

Torque

Data are based on a torque of 2029 N•m/m² applied to close and seat the damper during the test.

Leakage Performance

Damper Size	Leakage Class			
	at 0.25Kpa	at 0.5Kpa	at 1.0Kpa	at 2.5Kpa
100mm	1A	1	1	1
914mm	1A	1	1	1

Air Performance

