

Application

Model FSD-212 is a combination fire smoke damper with 3V style blades. This model is designed for operation and dynamic closure in emergency fire smoke situations. It is rated for airflow and leakage in either direction. The FSD-212 may be installed vertically (with blades running horizontal) or horizontally.

Ratings

UL 555 Fire Resistance Rating

Fire Rating: 1½ hours

Dynamic Closure Rating: Actual ratings are size dependent

Velocity: Up to 2000 fpm (10.2 m/s)

Pressure: Up to 6 in. wg (1.5 kPa)

UL 555S Leakage Rating

Leakage Class: II

Operational Rating: Actual ratings are size dependent

Velocity: Up to 2000 fpm (10.2 m/s)

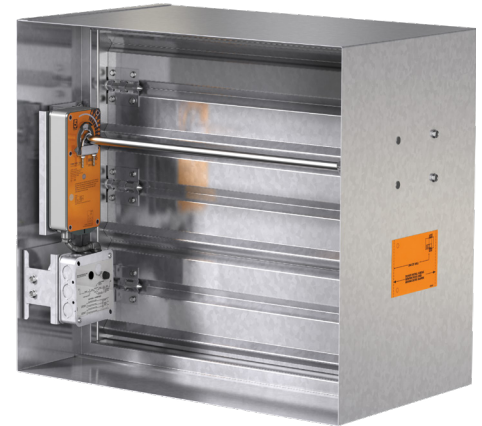
Pressure: Up to 6 in. wg (1.5 kPa)

Temperature: Up to 350°F (177°C) - depending upon the actuator

Construction

	Standard	Optional
Frame Material	Galvanized steel	-
Frame Material Thickness	16 ga. (1.5mm)	-
Frame Type	5 in. x 1 in. (127mm x 25mm) hat channel	-
Blade Material	Galvanized steel	-
Blade Material Thickness	16 ga. (1.5mm)	-
Blade Type	3V	-
Blade Action	Parallel	-
Linkage	Plated steel out of airstream, concealed in jamb	-
Axle Bearings	316SS	-
Axle Material	Plated steel	-
Blade Seals	Silicone	-
Jamb Seals	Stainless Steel	-
Closure Device	RRL	RRL/OCI, Fusible Link
Closure Temperature	165°F (74°C)	212°F (100°C), 250°F (121°C) 286°F (141°C)* 350°F (177°C)

*Only available with fusible link



Width and Height dimensions furnished approximately ¼ in. (6mm) undersize. Add sleeve thickness for overall sleeved damper dimension.



See complete marking on product.

UL 555 and UL 555S
Classification R13317

Model FSD-212 meets the requirements for fire dampers, smoke dampers and combination fire smoke dampers established by:

National Fire Protection Association

NFPA Standards 80, 90A, 92, 101 & 105

IBC International Building Codes

CSFM California State Fire Marshal

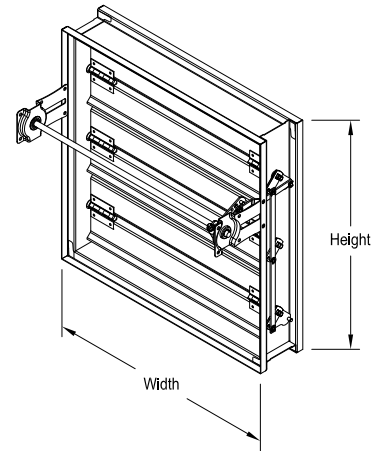
Fire Damper Listing (#3225-0981:103)

Leakage (Smoke) Damper Listing (#3230-0981:104)

W x H	Minimum Size	Maximum Size		
		Single Section	Multiple Section	
			Horizontal	Vertical
4 in. wg (1 kPa) pressure				
Inches	6 x 6	32 x 50 or 36 x 48	144 x 96	128 x 100
mm	152 x 152	813 x 1270 or 914 x 1219	3658 x 2438	3251 x 2540
6 in. wg (1.5 kPa) pressure				
Inches	6 x 6	36 x 48	144 x 96	128 x 96
mm	152 x 152	914 x 1219	3658 x 2438	3251 x 2438

Options

- Factory mounted accessories
 - POC retaining angles
 - Quick connect breakaway connections
 - S & drive connections
 - TDF flange
- Actuators: 24V, 230V
- RRL/OCI (Open closed indication switches)
- Transitions: R



Document Links

[Installation Instructions](#)



[Life Safety Damper Catalog](#)



[Damper Product Selection Guide](#)



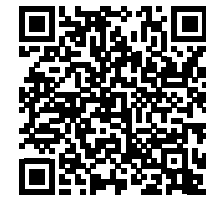
[Alternate Installation Solutions for Life Safety Dampers](#)



[Damper Warranty](#)

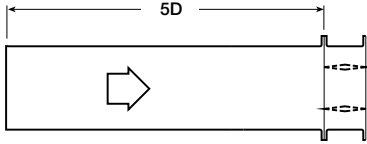


[Specifications](#)



Pressure Drop

AMCA Figure 5.2



12 in. x 12 in. (305mm x 305mm)

Velocity (fpm)	Pressure Drop (in. wg)
500	0.04
1000	0.14
1500	0.31
2000	0.55
2500	0.86
3000	1.24
3500	1.69
4000	2.20

24 in. x 24 in. (610mm x 610mm)

Velocity (fpm)	Pressure Drop (in. wg)
500	0.02
1000	0.07
1500	0.16
2000	0.29
2500	0.45
3000	0.65
3500	0.89
4000	1.16

36 in. x 36 in. (914mm x 914mm)

Velocity (fpm)	Pressure Drop (in. wg)
500	0.01
1000	0.04
1500	0.09
2000	0.16
2500	0.25
3000	0.36
3500	0.49
4000	0.64

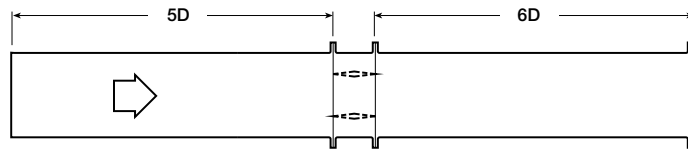
12 in. x 48 in. (305mm x 1219mm)

Velocity (fpm)	Pressure Drop (in. wg)
500	0.01
1000	0.06
1500	0.13
2000	0.23
2500	0.36
3000	0.52
3500	0.70
4000	0.92

48 in. x 12 in. (1219mm x 305mm)

Velocity (fpm)	Pressure Drop (in. wg)
500	0.03
1000	0.10
1500	0.23
2000	0.41
2500	0.63
3000	0.91
3500	1.24
4000	1.62

AMCA Figure 5.3



12 in. x 12 in. (305mm x 305mm)

Velocity (fpm)	Pressure Drop (in. wg)
500	0.02
1000	0.09
1500	0.20
2000	0.36
2500	0.56
3000	0.81
3500	1.10
4000	1.44

24 in. x 24 in. (610mm x 610mm)

Velocity (fpm)	Pressure Drop (in. wg)
500	0.01
1000	0.04
1500	0.09
2000	0.16
2500	0.25
3000	0.35
3500	0.48
4000	0.63

36 in. x 36 in. (914mm x 914mm)

Velocity (fpm)	Pressure Drop (in. wg)
500	0.01
1000	0.03
1500	0.06
2000	0.11
2500	0.17
3000	0.24
3500	0.33
4000	0.42

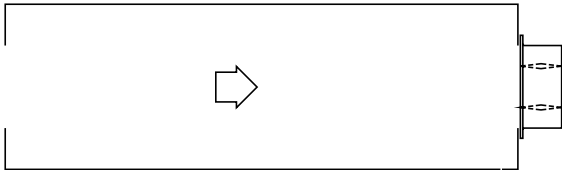
12 in. x 48 in. (305mm x 1219mm)

Velocity (fpm)	Pressure Drop (in. wg)
500	0.01
1000	0.04
1500	0.10
2000	0.17
2500	0.27
3000	0.39
3500	0.53
4000	0.70

48 in. x 12 in. (1219mm x 305mm)

Velocity (fpm)	Pressure Drop (in. wg)
500	0.02
1000	0.07
1500	0.16
2000	0.29
2500	0.45
3000	0.64
3500	0.88
4000	1.14

AMCA Figure 5.5



12 in. x 12 in. (305mm x 305mm)

Velocity (fpm)	Pressure Drop (in. wg)
500	0.06
1000	0.22
1500	0.50
2000	0.89
2500	1.39
3000	2.00
3500	2.72
4000	3.55

24 in. x 24 in. (610mm x 610mm)

Velocity (fpm)	Pressure Drop (in. wg)
500	0.03
1000	0.14
1500	0.31
2000	0.54
2500	0.85
3000	1.22
3500	1.66
4000	2.17

36 in. x 36 in. (914mm x 914mm)

Velocity (fpm)	Pressure Drop (in. wg)
500	0.03
1000	0.12
1500	0.26
2000	0.46
2500	0.73
3000	1.05
3500	1.42
4000	1.86

12 in. x 48 in. (305mm x 1219mm)

Velocity (fpm)	Pressure Drop (in. wg)
500	0.03
1000	0.13
1500	0.30
2000	0.53
2500	0.83
3000	1.19
3500	1.62
4000	2.11

48 in. x 12 in. (1219mm x 305mm)

Velocity (fpm)	Pressure Drop (in. wg)
500	0.04
1000	0.17
1500	0.38
2000	0.67
2500	1.04
3000	1.50
3500	2.05
4000	2.67

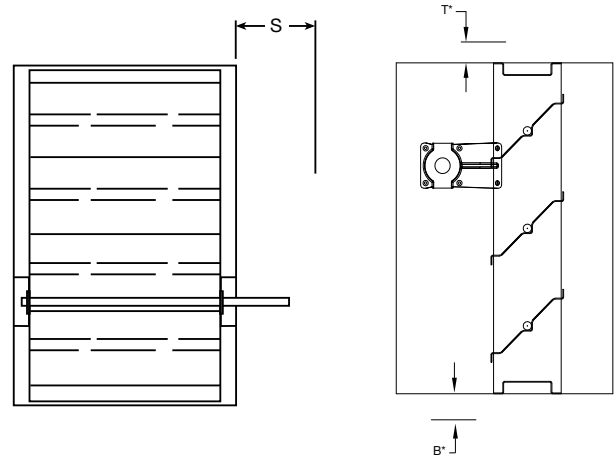


Greenheck India Private Limited certifies that the model FSD-212 shown herein is licensed to bear the AMCA Seal. The ratings shown are based on tests and procedures performed in accordance with AMCA Publication 511 and comply with the requirements of the AMCA Certified Ratings Programs. The AMCA Certified Ratings Seal applies to air performance ratings only.

Space Envelopes

Externally mounted actuators always require space outside of the damper sleeve. The “S” dimension illustrates the clearance required for various available actuators.

On dampers less than 18 in. (457mm) high, actuators may also require clearances above and/or below the sleeve. “B” and “T” dimensions are **worst** case clearance requirements for some dampers less than 18 in. (457 mm) high. All dampers 18 in. (457mm) or more in height, do not require these worst case clearances. If space availability above or below the damper sleeve is limited, each damper size should be individually evaluated.

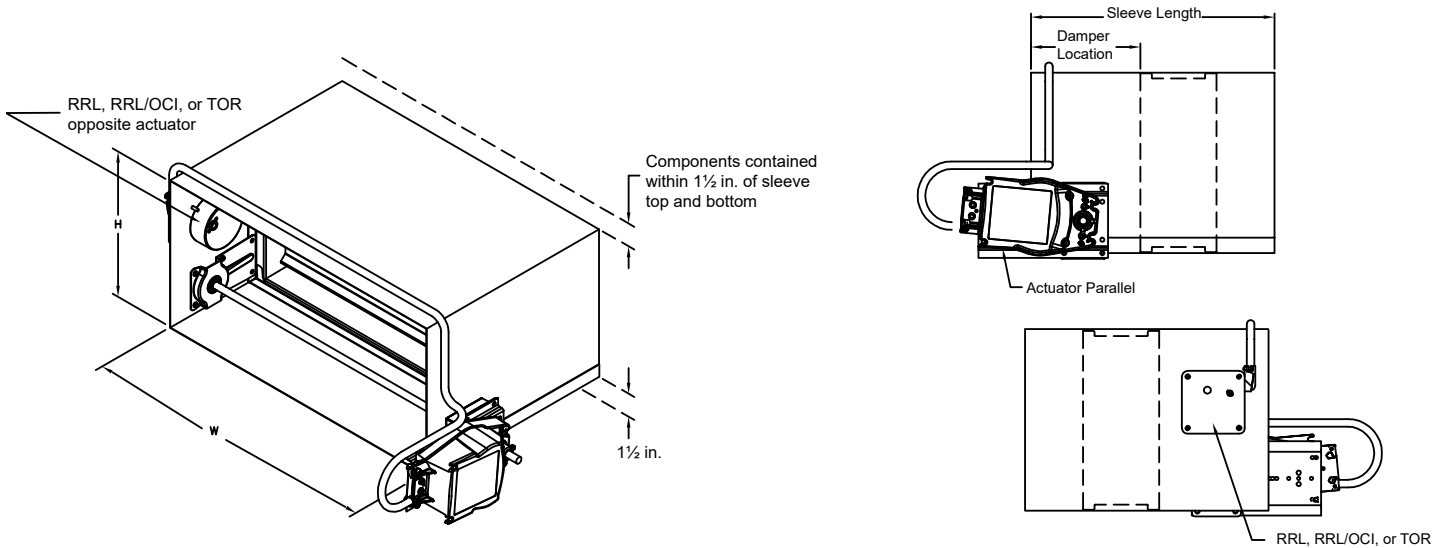


Actuator Type/Model	B*	T*	S	
	With RRL, RRL/OCI	With RRL, RRL/OCI	Piggyback	
			No	Yes
24 Volt AC				
FSAF24 (-S) Belimo	½ in. (13mm)	9 ¹³ / ₁₆ in (249mm)	6 in. (152mm)	NA
FSTF24 (-S) Belimo	7 ¹ / ₁₆ in (195mm)	½ in. (13mm)	6 in. (152mm)	NA
FSLF24-S Belimo	7 ¹ / ₁₆ in (195mm)	0	6 in. (152mm)	NA
FSNF24 (-S) Belimo	½ in. (13mm)	9 ¹³ / ₁₆ in (249mm)	6 in. (152mm)	9 in. (229mm)
MS8104 Series Honeywell	½ in. (13mm)	8½ in (216mm)	6 in. (152mm)	NA
MS8120 Series Honeywell	½ in. (13mm)	9 ¹³ / ₁₆ in (249mm)	6 in. (152mm)	9 in. (229m)
230 Volt AC				
FSLF230-S Belimo	7 ¹ / ₁₆ in (195mm)	0	6 in. (152mm)	NA
FSNF230-S Belimo	½ in. (13mm)	9 ¹³ / ₁₆ in (249mm)	6 in. (152mm)	9 in. (229mm)
FSTF230-S Belimo	7 ¹ / ₁₆ in (195mm)	½ in. (13mm)	6 in. (152mm)	NA
MS4604 Series Honeywell	½ in. (13mm)	8½ in (216mm)	6 in. (152mm)	NA
MS4X09 Series Honeywell	½ in. (13mm)	8½ in (216mm)	6 in. (152mm)	NA
MS4620 Series Honeywell	½ in. (13mm)	9 ¹³ / ₁₆ in (249mm)	6 in. (152mm)	9 in. (229mm)

* For dampers 18 in. (457mm) or more in height these dimensions are 0 in.

Contained Actuator Option

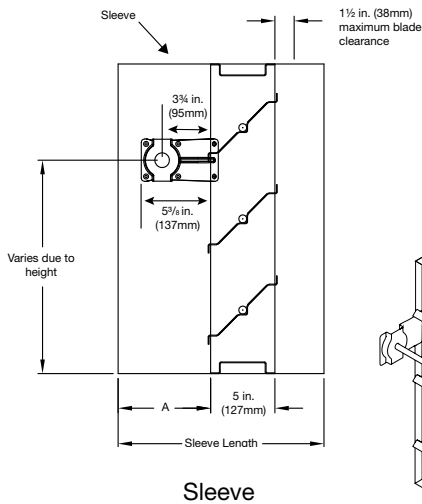
Dampers can be ordered with a “contained actuator option”. This option will result in the actuator being oriented such that it extends no more than 1½ inches above or below the sleeve. Note that some damper configurations that are 11 inches high or less will have the RRL, RRL/OCI, or TOR mounted on the side opposite the actuator when the contained actuator option is selected.



Sleeve and Sideplate Dimensions

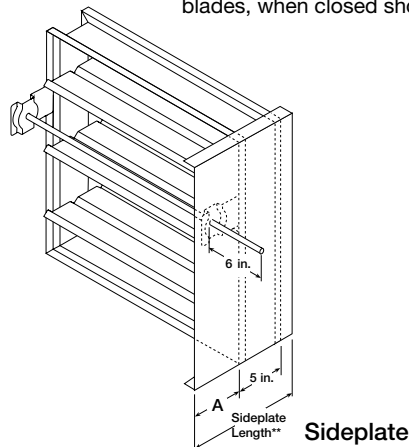
The drawings below and corresponding table show the position of the FSD-212 damper when mounted in a factory sleeve. The standard mounting locations provide enough space for the mounting of actuators, controls and allow space for installation of retaining angles and duct connections.

The standard location of a damper mounted in a factory sleeve ("A" dimension) is shown below. The damper can be positioned at other locations within a range of 6 in. (152mm) to 16 in. (406mm) for the "A" dimension.



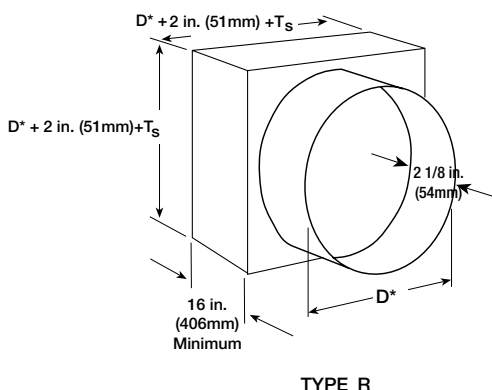
in. (mm)	"A" Dimension		
	Sleeve Std	Sleeve Max	Sideplate
All Dampers (RRL)	7¾ (183)	16 (406)	6¾ (157)
When H is 11 in. (279mm) or less with RRL, RRL/OCI	12 (305)	16 (406)	12 (305)

NOTE: Entire damper frame is not required to be installed within the wall. The damper blades, when closed should be contained within the wall.



Transitioned Damper Dimensions

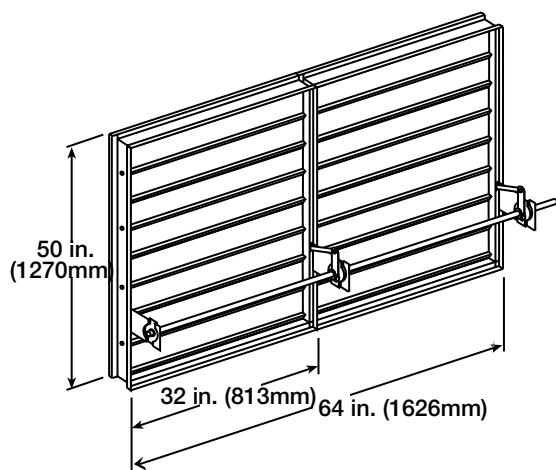
When a combination fire smoke damper is being used in conjunction with round or oval ductwork, the FSD-212 can be supplied in a factory sleeve with round or oval transitions on both ends of the sleeve. Dampers should be ordered to the duct dimensions. Drawings below show overall damper size.



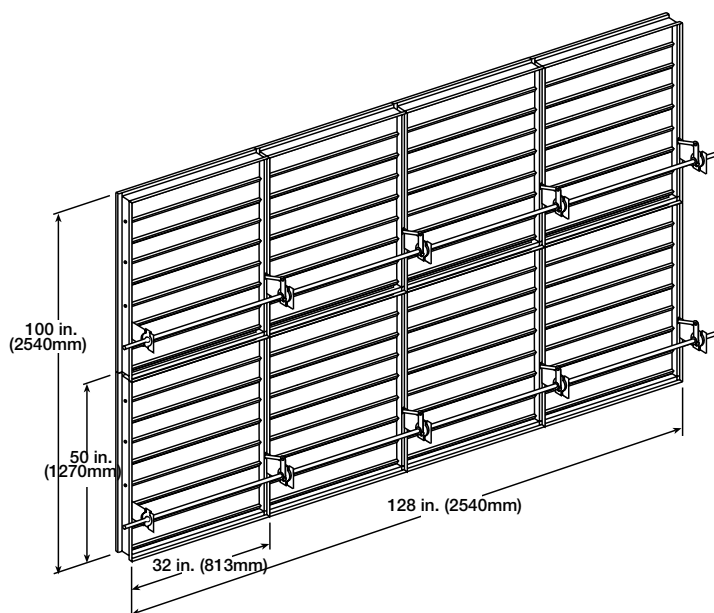
*These dimensions are furnished approximately $\frac{1}{4}$ in. (6mm) undersize, except round and oval dimensions which are approximately $\frac{1}{8}$ in. (3mm) undersize.
 $T_s = (2)(\text{Sleeve Thickness})$

Multiple Section Dampers

Dampers larger than maximum single section size are supplied as a factory assembly of two or more sections of equal size. The following figures show maximum damper section size and assembly configurations for multi-section dampers.



Two Section



4 sections wide
2 sections high