



# Double Inlet Centrifugal Fan Forward Curve

*Quick,  
Convenient And Clean*



**DFB**

# Double Inlet Centrifugal Fan - DFB

---

- Double inlet fans with forward curve impellers
- 12 sizes from 250mm up to 800mm wheel diameter
- Single or Twin fan
- Construction of L/R/K/G



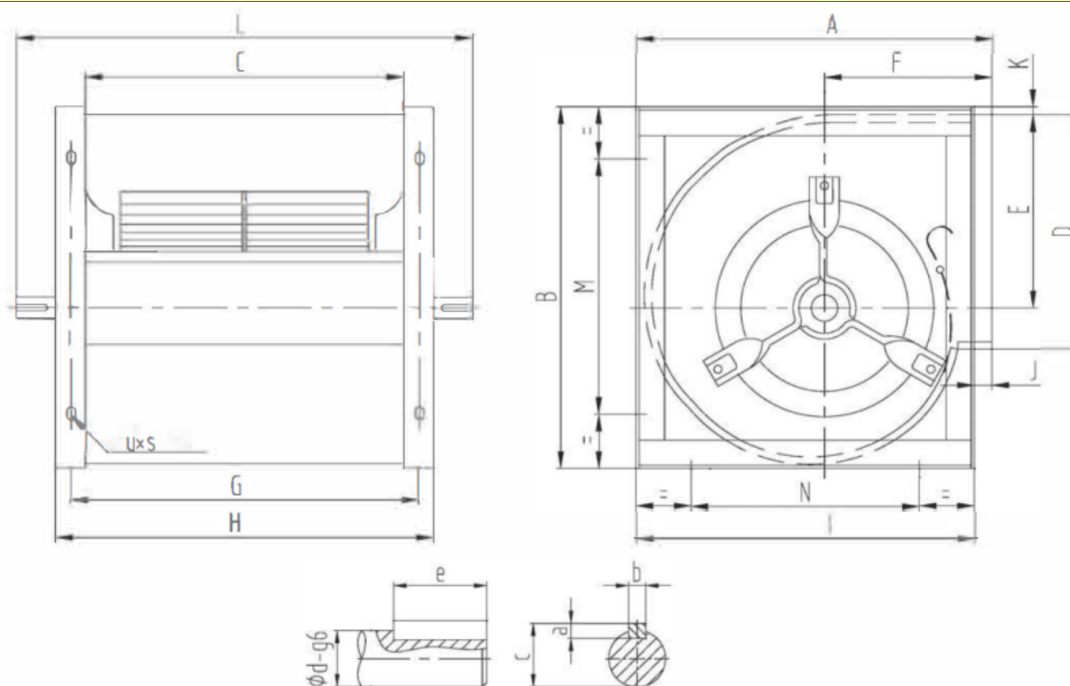
**DLK Ventilatoren Sdn Bhd** certifies that the DFB fan shown herein is licensed to bear the AMCA Seal.

The ratings shown are based on tests and procedures performed in accordance with AMCA publication 211 and AMCA publication 311 and comply with the requirements of the AMCA Certified Ratings Program.



Operating Limits												
		250	280	315	355	400	450	500	560	630	710	800
Max installed Power (kw)	L-R	3	4	5.5	7.5	7.5	11	11	11	15	-	-
	K	5.5	7.5	7.5	11	15	15	18.5	18.5	18.5	22	22
	G	-	-	-	-	-	-	-	22	30	37	37
	L2-R2	4	5.5	7.5	11	11	15	15	-	-	-	-
	K2	7.5	7.5	11	15	15	22	22	-	-	-	-
Max speed (rpm)	L-R	1900	1700	1500	1350	1200	1050	950	800	700	-	-
	K	2200	2000	1800	1600	1400	1200	1100	900	750	700	650
	G	-	-	-	-	-	-	-	1050	850	850	750
	L2-R2	1500	1400	1250	1250	1050	950	800	-	-	-	-
	K2	2000	1600	1400	1400	1200	1050	900	-	-	-	-
Fan weight (kg)	L-R	13	18.5	25	34	43	57.5	70.5	127	160	-	-
	K	15	21.5	30	39	52	70	85	152	186	230	290
	G	-	-	-	-	-	-	-	158	194	238	299
	L2-R2	26	37	50	68	86	115	141	-	-	-	-
	K2	30	43	60	78	104	140	170	-	-	-	-
Temperature (min-20°C)	L-R	85	85	85	85	85	85	85	85	85	-	-
	K	85	85	85	85	85	85	85	85	85	85	85
	G	-	-	-	-	-	-	-	85	85	85	85
	L2-R2	85	85	85	85	85	85	85	-	-	-	-
	K2	85	85	85	85	85	85	85	-	-	-	-
Bearing Dynamic load (N)	L-R	12800	14000	14000	19500	19500	25700	25700	29100	32500	-	-
	K	14000	19500	19500	25700	25700	29100	29100	29100	29100	35000	35000
	G	-	-	-	-	-	-	-	32500	32500	52500	52500
	L2-R2	19500	19500	19500	25700	25700	29100	32500	-	-	-	-
	K2	19500	19500	19500	25700	25700	29100	32500	-	-	-	-
Bearing number	L-R	FH204	FH205	FH205	FH206	FH206	FH207	FH207	FH208	UK209	-	-
	K	UCP205	UCP206	UCP206	UCP207	UCP207	UCP208	UCP208	UCP208	UCP208	UCP210	UCP210U
	G	-	-	-	-	-	-	-	UCP210	UCP210	UCP212	UCP212U
	L2-R2	UK206	UK206	UK206	UK207	UK207	UK208	UK209	-	-	-	-
	K2	UCP206	UCP206	UCP206	UCP207	UCP208	UCP208	UKP209	-	-	-	-

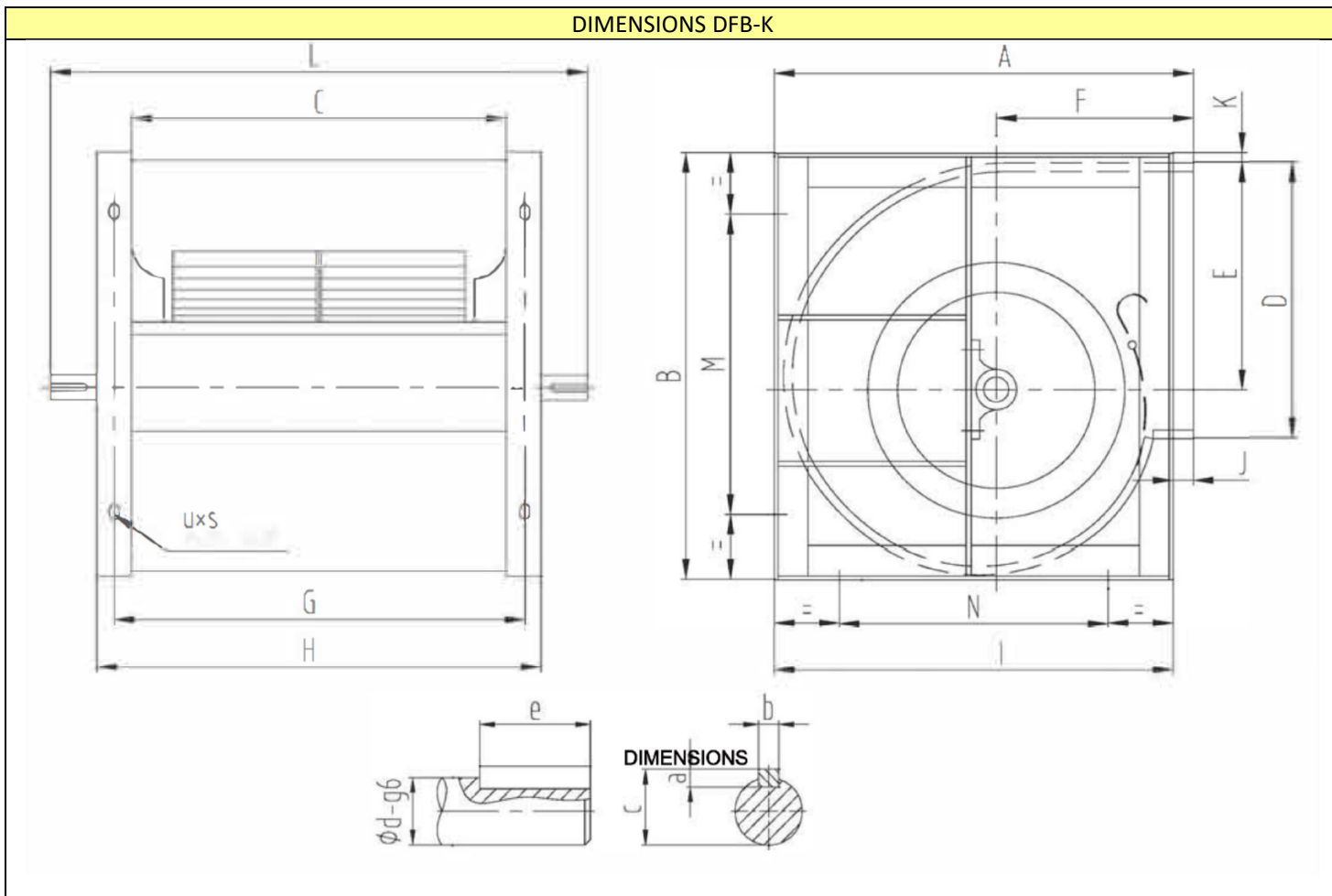
DIMENSIONS DFB-R



Model	A	B	C	D	E	F	G	H	I	J	K	L	M	N	a	b	c	d	e	U*S
DFB 250R	427.5	475	322	322	264	193	350	372	391.5	36	10.5	520	224	224	6	6	22.5	20	45	11*16
DFB 280R	476.5	530	361	361	296	213	391	421	440.5	36	11.5	560	280	280	7	8	28	25	50	11*16
DFB 315R	530	595	404	404	336	234	434	464	492	38	11.5	605	280	280	7	8	28	25	50	11*16
DFB 355R	587.5	663	453	453	375.5	260	489	513	550.5	37	12	680	355	355	7	8	33	30	65	11*16
DFB 400R	656	742	507	507	421.5	292	547	587	620	36	12	730	355	355	7	8	33	30	65	11*16
DFB 450R	739	841	569	569	482	325	609	649	699	40	12	815	530	530	8	10	38	35	75	11*16
DFB 500R	810	929	638	638	530	352	678	718	762	48	12	885	530	530	8	10	38	35	75	13*18
DFB 560R	890	1022	715	715	599	390	765	805	841	49	5	1000	530	530	8	12	43	40	75	13*18
DFB 630R	998	1156	801	801	670	438	851	901	946	52	8	1090	530	530	8	12	43	40	90	13*18

All dimensions in mm

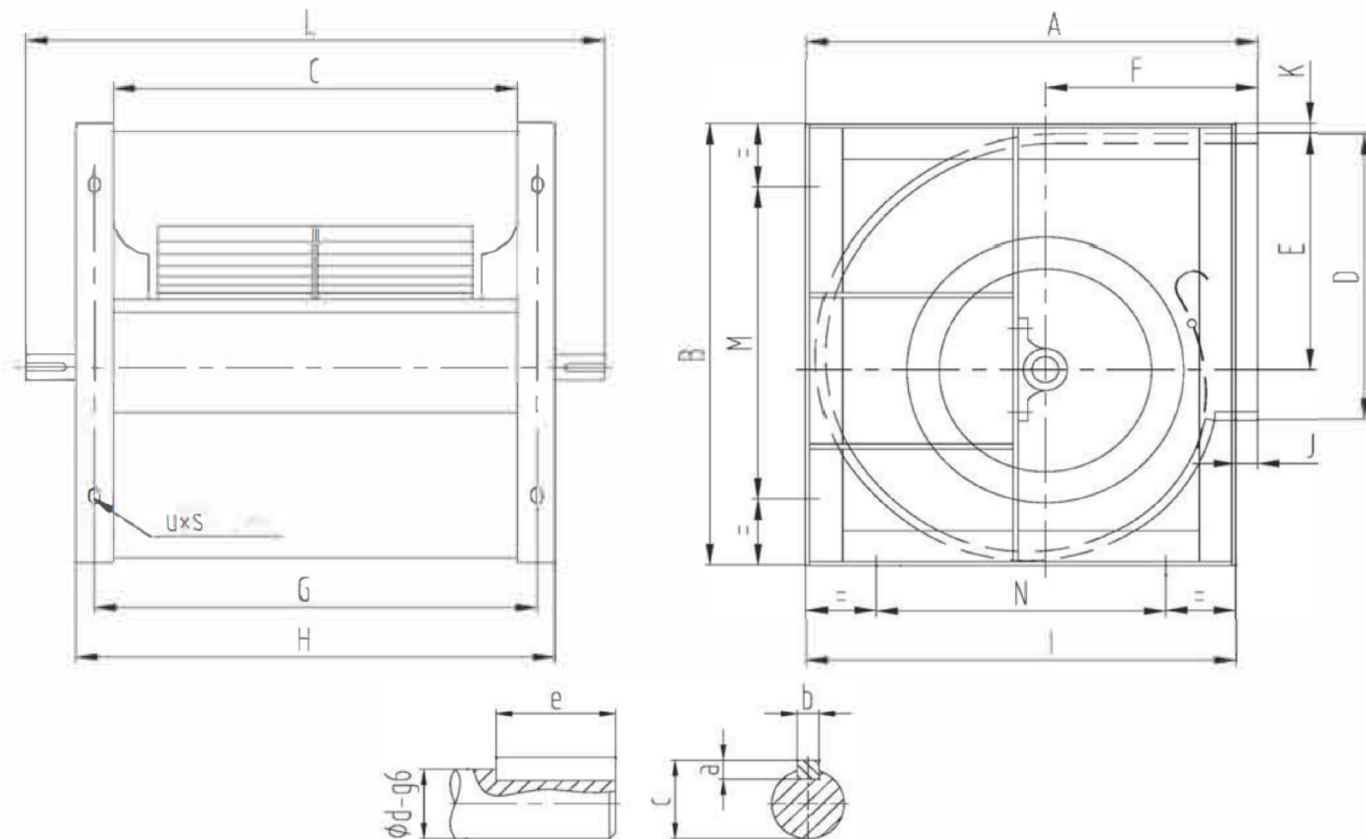
DIMENSIONS DFB-K



Model	A	B	C	D	E	F	G	H	I	J	K	L	M	N	a	b	c	d	e	U*S
DFB 250K	427.5	475	322	322	264	193	350	372	391.5	36	10.5	520	224	224	7	8	28	25	45	11*16
DFB 280K	476.5	530	361	361	296	213	391	421	440.5	36	11.5	580	281	281	7	8	33	30	50	11*16
DFB 315K	530	595	404	404	336	234	434	464	492	38	11.5	625	280	280	7	8	33	30	50	11*16
DFB 355K	587.5	663	453	453	376	260	489	513	550.5	37	12	680	355	355	8	10	38	35	65	11*16
DFB 400K	656	742	507	507	421.5	292	547	587	620	36	12	760	355	355	8	10	38	35	65	11*16
DFB 450K	739	841	569	569	482	325	609	649	699	40	12	845	530	530	8	12	43	40	75	11*16
DFB 500K	810	929	638	638	530	352	678	718	762	48	12	920	530	530	8	12	43	40	75	13*18
DFB 560K	890	1022	715	715	599	390	765	805	841	49	5	1060	530	530	8	12	43	40	90	13*18
DFB 630K	998	1156	801	801	670	438	851	901	946	52	8	1160	530	530	8	12	43	40	90	13*18
DFB 710K	1122	1298	898	898	761.5	482	948	998	1062	60	6.5	1300	630	630	9	14	53.8	50	110	17*22
DFB 800K	1254	1466	1007	1007	855.5	538	1057	1107	1188	66	6.5	1450	710	710	9	14	53.8	50	110	17*22

All dimensions in mm

DIMENSIONS DFB-G

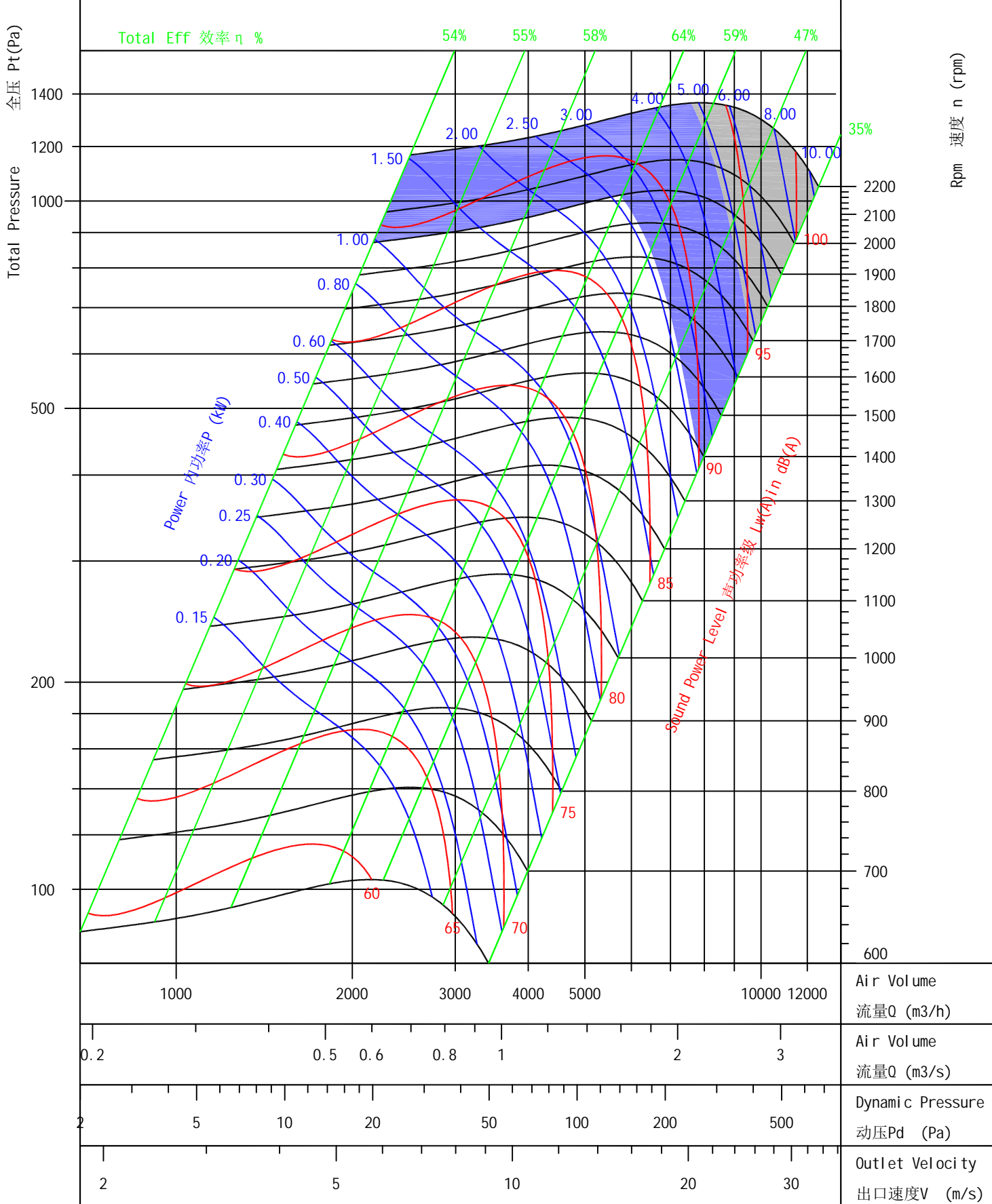


Model	A	B	C	D	E	F	G	H	I	J	K	L	M	N	a	b	c	d	e	U*S
DFB 560G	890	1022	715	715	599	390	765	805	841	49	5	1060	530	530	9	14	53.8	50	90	13*18
DFB 630G	998	1156	801	801	670	438	851	901	946	52	8	1160	530	530	9	14	53.8	50	90	13*18
DFB 710G	1122	1298	898	898	761.5	482	948	998	1062	60	6.5	1300	630	630	11	18	64.4	60	110	17*22
DFB 800G	1254	1466	1007	1007	855.5	538	1057	1107	1188	66	6.5	1450	710	710	11	18	64.4	60	110	17*22

All dimensions in mm

DFB250  
FEG 75

R K

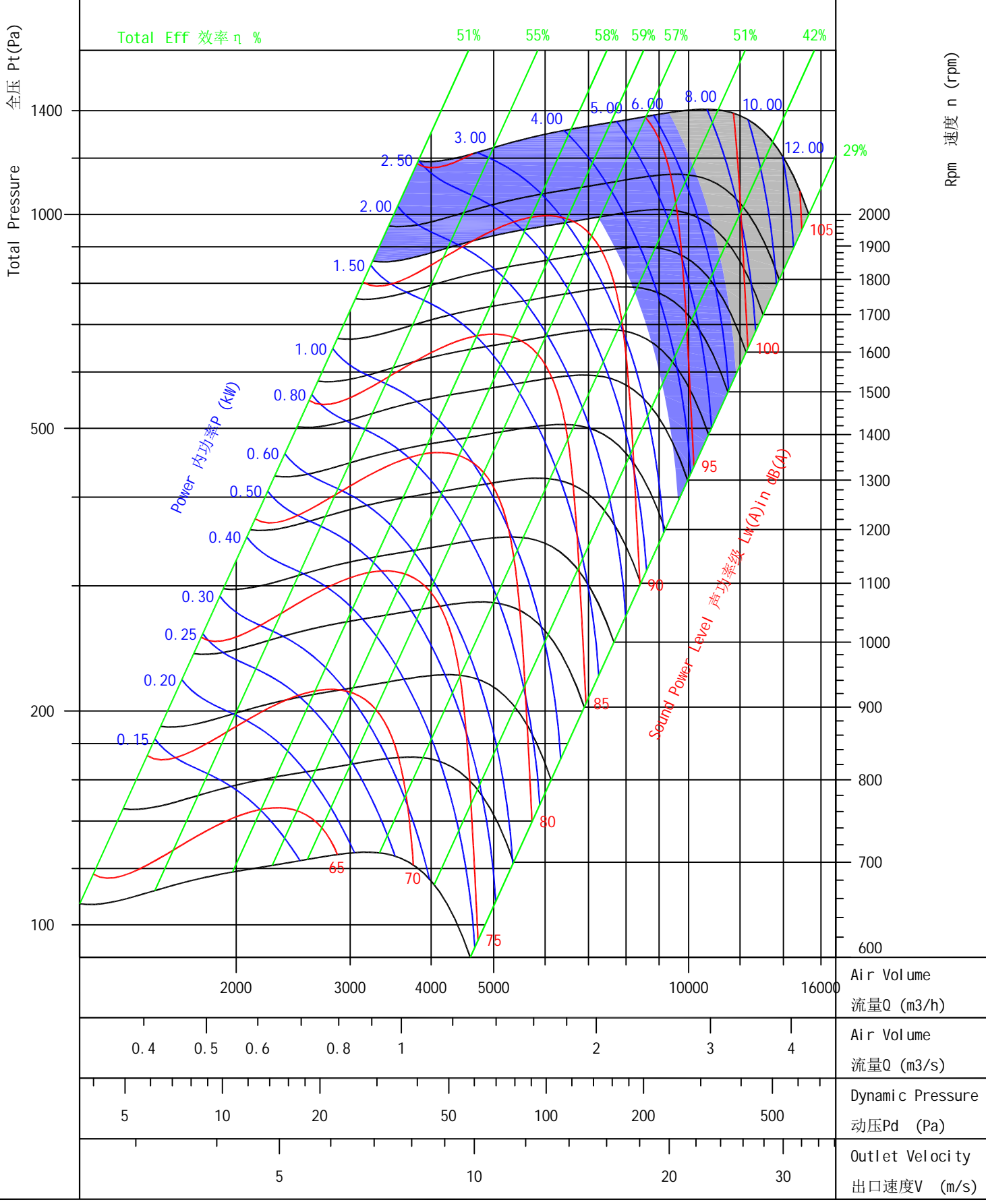


1. Performance certified is for installation type B-Free inlet, Ducted outlet. Power rating (kW) does not include transmission losses. Performance ratings do not include the effects of appurtenances (accessories).

2. The A-weighted sound ratings shown have been calculated per AMCA International Standard

3. Values shown are for inlet  $L_{wiA}$  sound power levels for installation type B-free inlet, ducted outlet.

R K



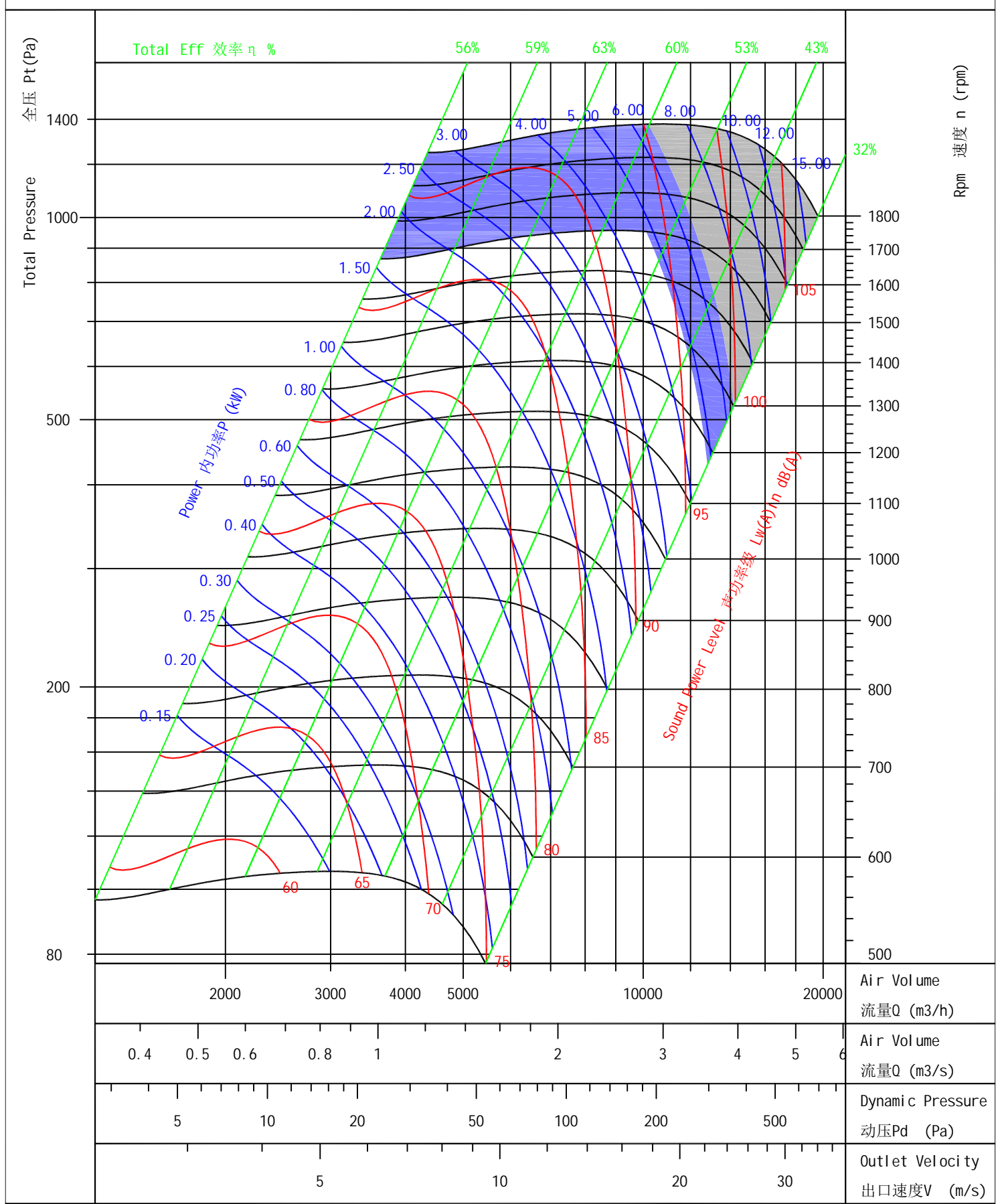
1. Performance certified is for installation type B-Free inlet, Ducted outlet. Power rating (kW) does not include transmission losses. Performance ratings do not include the effects of appurtenances (accessories).

2. The A-weighted sound ratings shown have been calculated per AMCA International Standard

3. Values shown are for inlet Lw(A) sound power levels for installation type B-free inlet, ducted outlet.



R  K

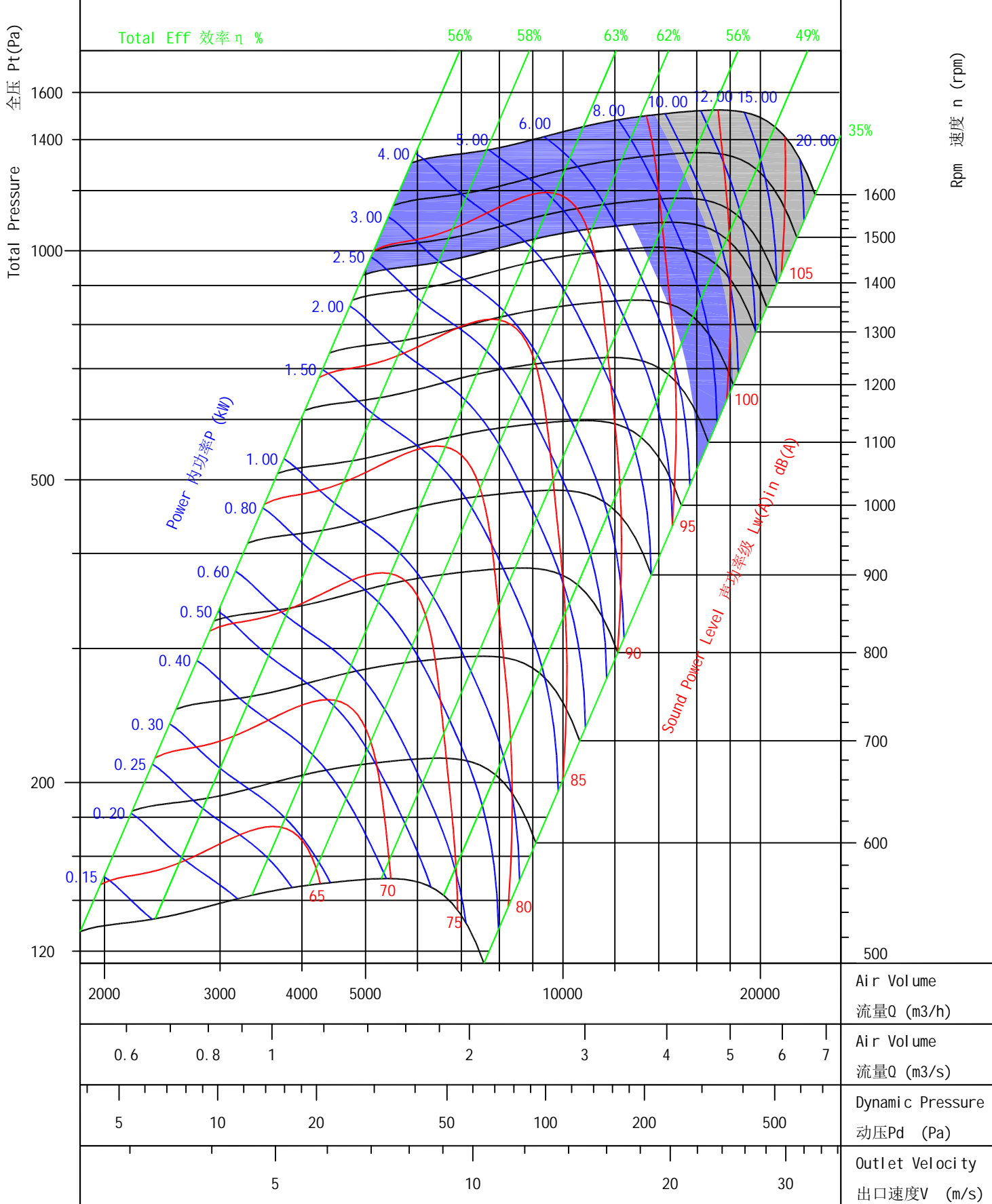


1. Performance certified is for installation type B-Free inlet, Ducted outlet. Power rating (kW) does not include transmission losses. Performance ratings do not include the effects of appurtenances (accessories).

2. The A-weighted sound ratings shown have been calculated per AMCA International Standard

3. Values shown are for inlet  $L_{wiA}$  sound power levels for installation type B-free inlet, ducted outlet.

R K



1. Performance certified is for installation type B-Free inlet, Ducted outlet. Power rating (kW) does not include transmission losses. Performance ratings do not include the effects of appurtenances (accessories).

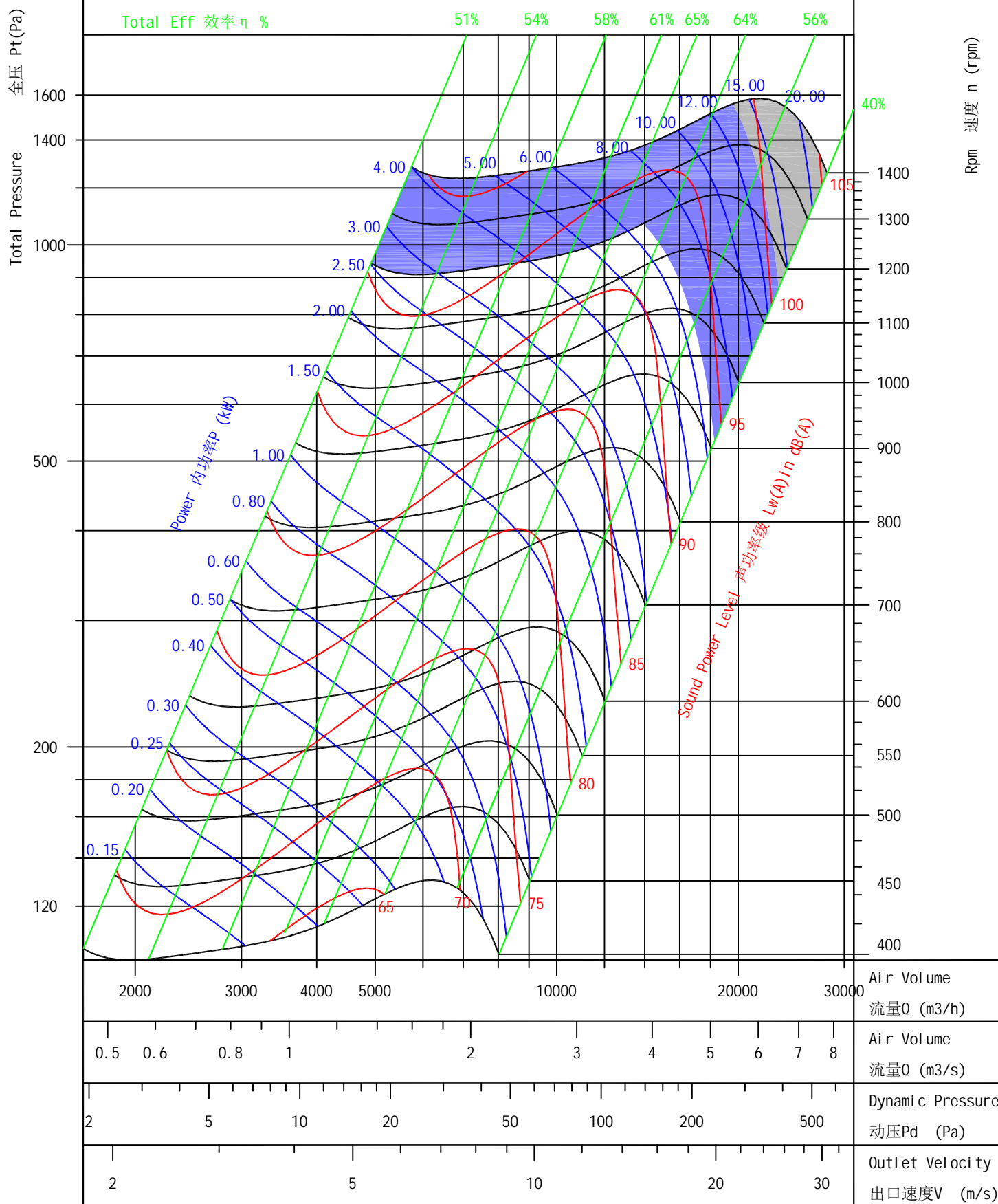
2. The A-weighted sound ratings shown have been calculated per AMCA International Standard

3. Values shown are for inlet  $L_{wiA}$  sound power levels for installation type B-free inlet, ducted outlet.

DFB400

FEG 75

R K



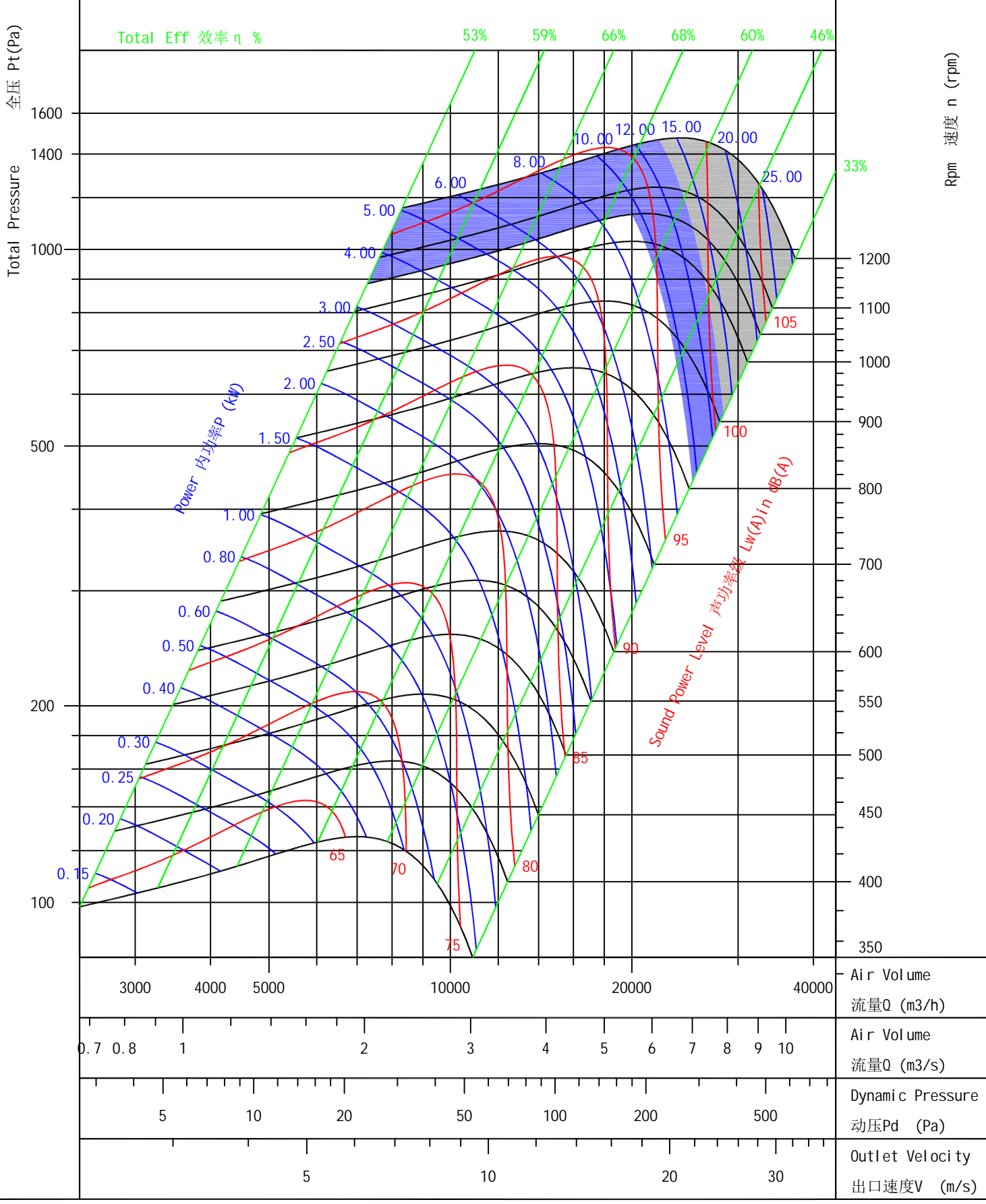
1. Performance certified is for installation type B-Free inlet, Ducted outlet. Power rating (kW) does not include transmission losses. Performance ratings do not include the effects of appurtenances (accessories).

2. The A-weighted sound ratings shown have been calculated per AMCA International Standard

3. Values shown are for inlet  $L_{wiA}$  sound power levels for installation type B-free inlet, ducted outlet.

DFB450  
FEG 75

R K

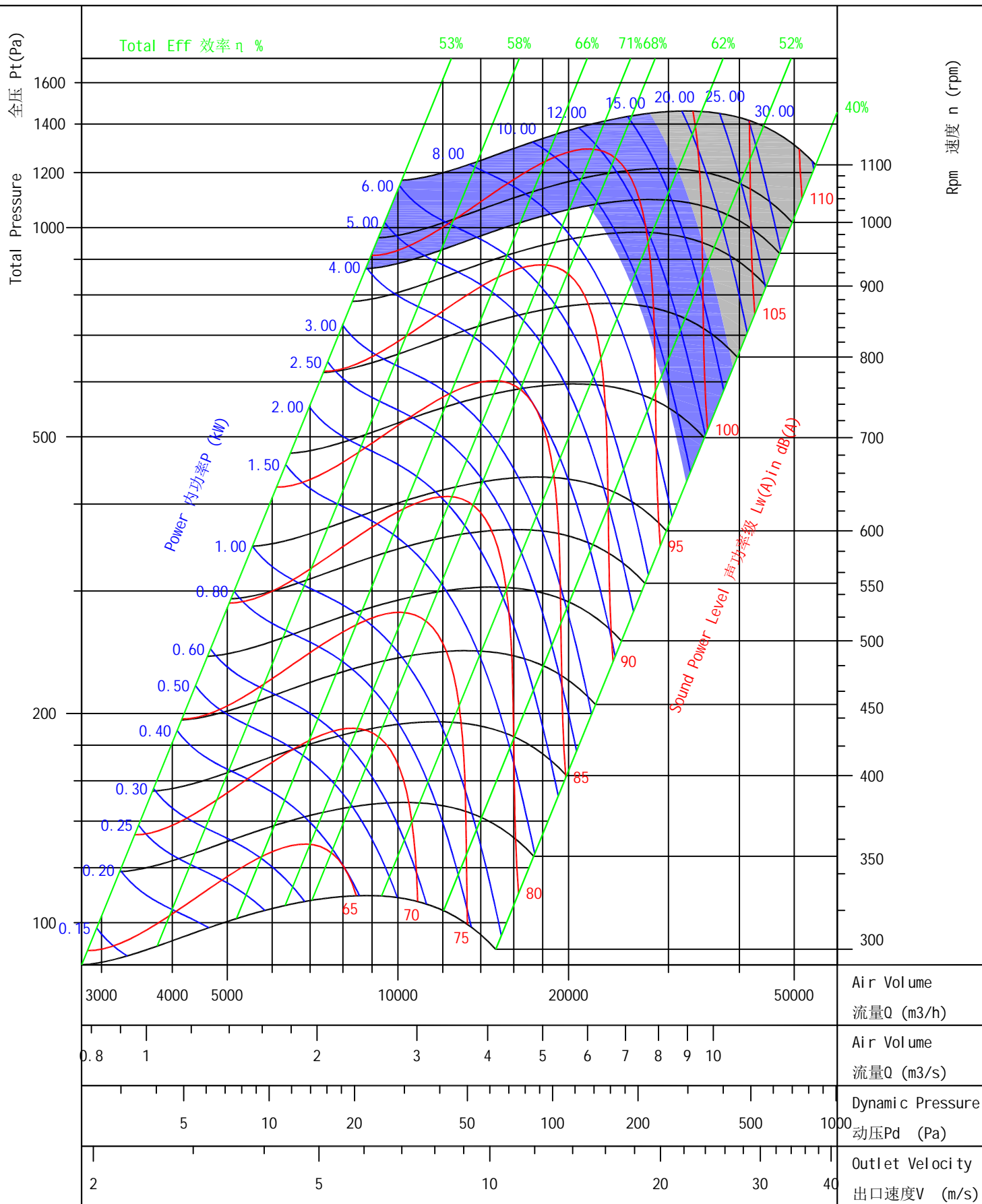


1. Performance certified is for installation type B-Free inlet, Ducted outlet. Power rating (kW) does not include transmission losses. Performance ratings do not include the effects of appurtenances (accessories).

2. The A-weighted sound ratings shown have been calculated per AMCA International Standard

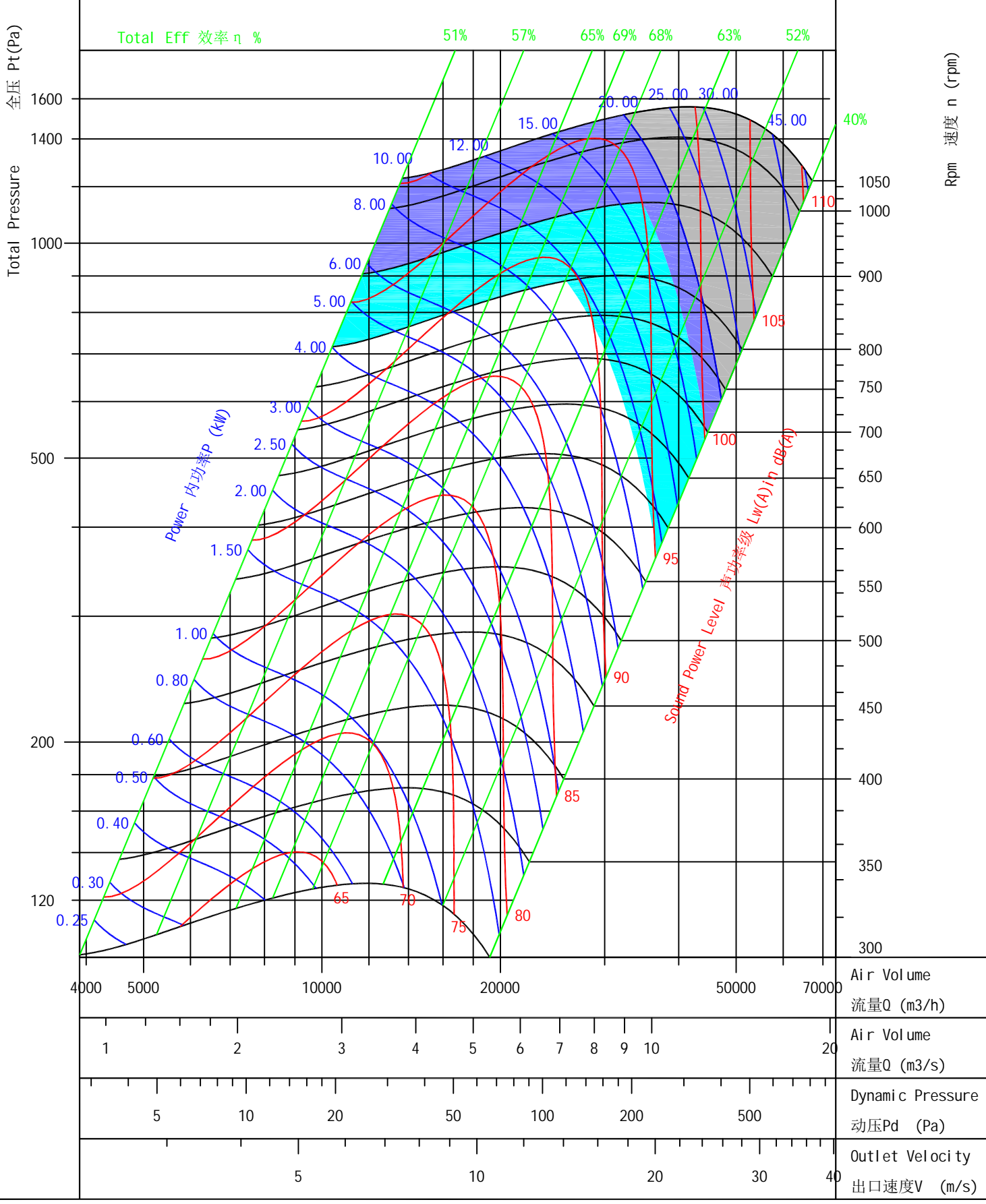
3. Values shown are for inlet L<sub>w</sub>iA sound power levels for installation type B-free inlet, ducted outlet.

R K



1. Performance certified is for installation type B-Free inlet, Ducted outlet. Power rating (kW) does not include transmission losses. Performance ratings do not include the effects of appurtenances (accessories).  
 2. The A-weighted sound ratings shown have been calculated per AMCA International Standard  
 3. Values shown are for inlet  $L_{wiA}$  sound power levels for installation type B-free inlet, ducted outlet.

R K G

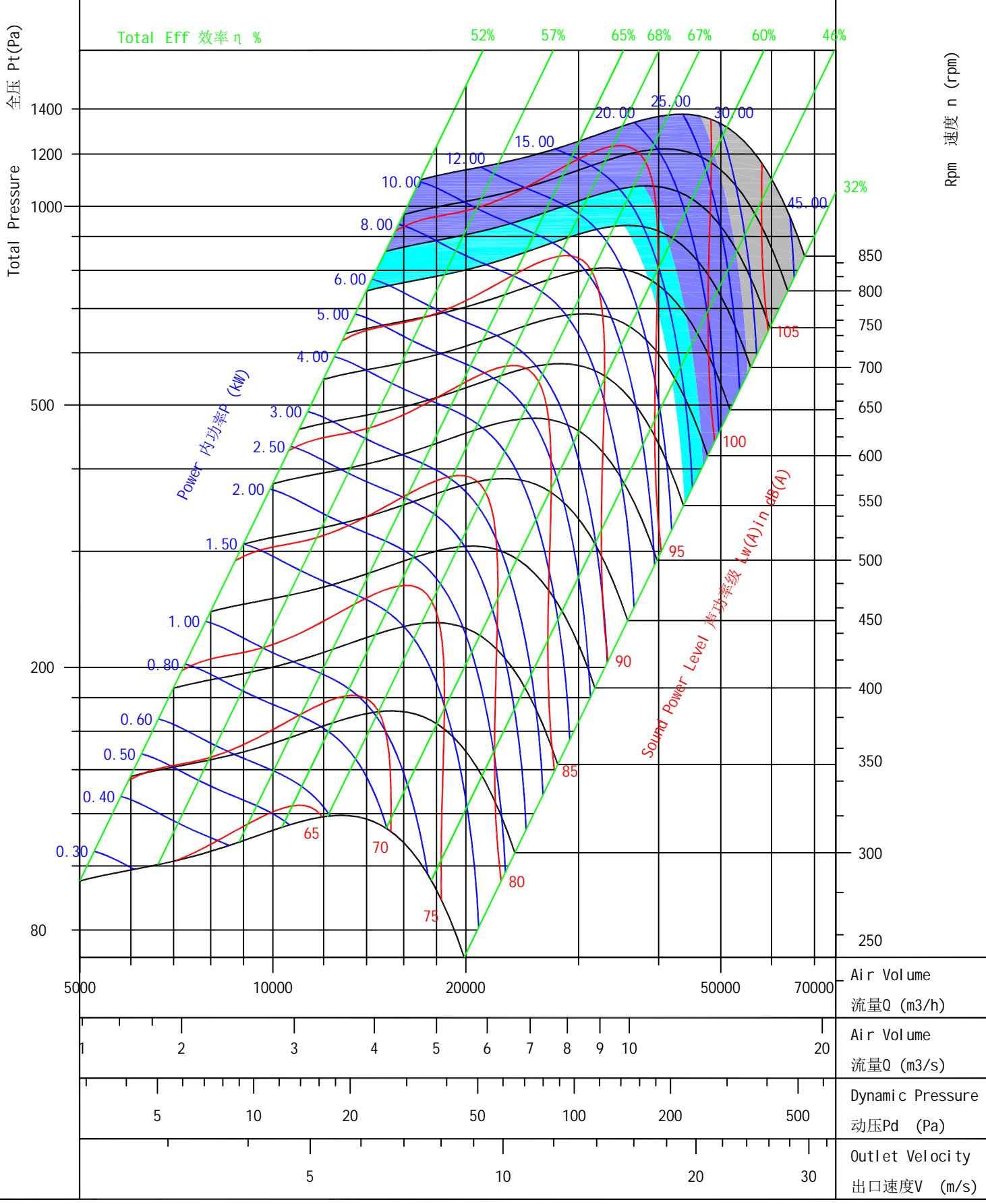


1. Performance certified is for installation type B-Free inlet, Ducted outlet. Power rating (kW) does not include transmission losses. Performance ratings do not include the effects of appurtenances (accessories).

2. The A-weighted sound ratings shown have been calculated per AMCA International Standard

3. Values shown are for inlet  $L_{wiA}$  sound power levels for installation type B-free inlet, ducted outlet.

R K G

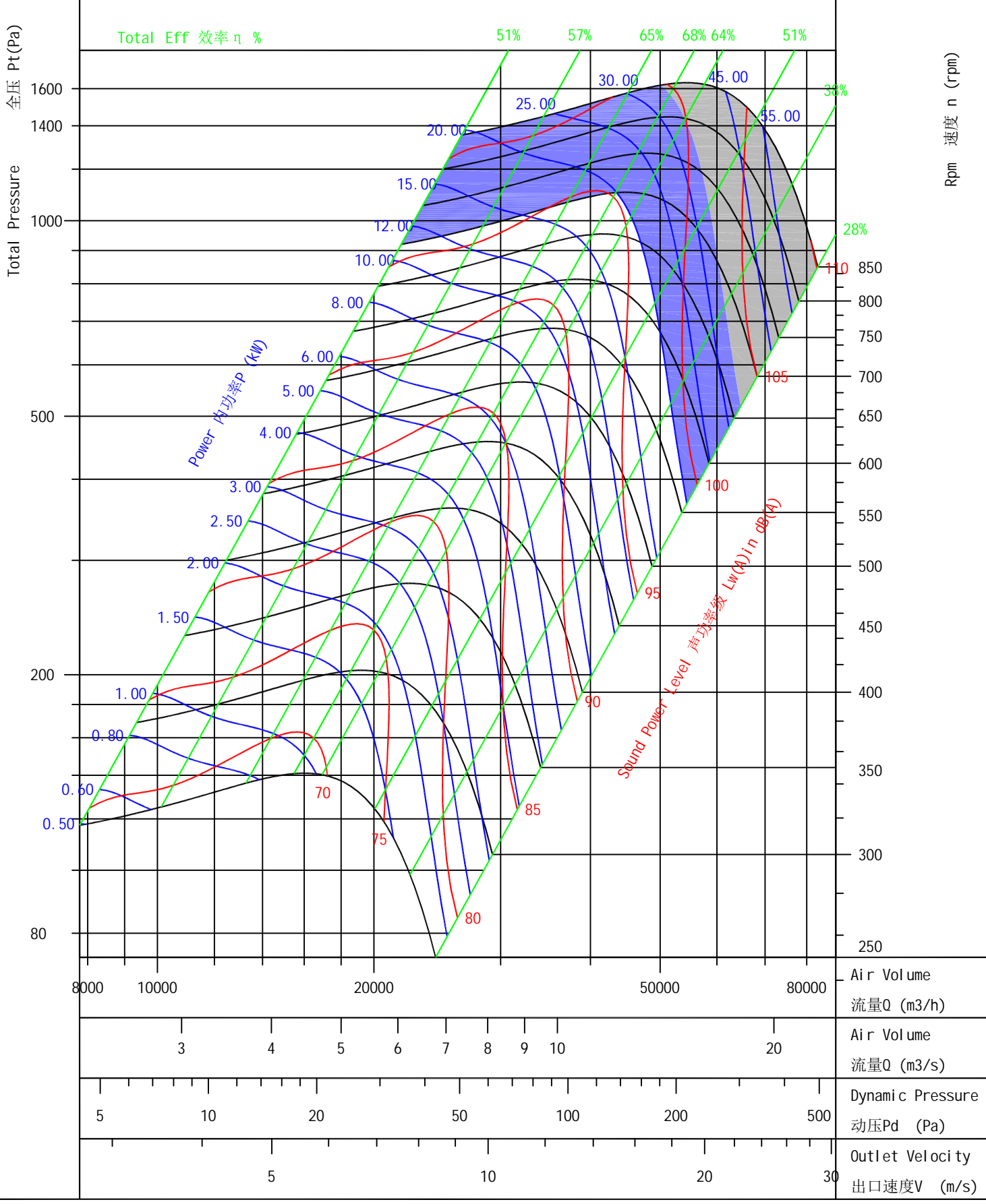


1. Performance certified is for installation type B-Free inlet, Ducted outlet. Power rating (kW) does not include transmission losses. Performance ratings do not include the effects of appurtenances (accessories).

2. The A-weighted sound ratings shown have been calculated per AMCA International Standard

3. Values shown are for inlet  $L_{w(A)}$  sound power levels for installation type B-free inlet, ducted outlet.

K G

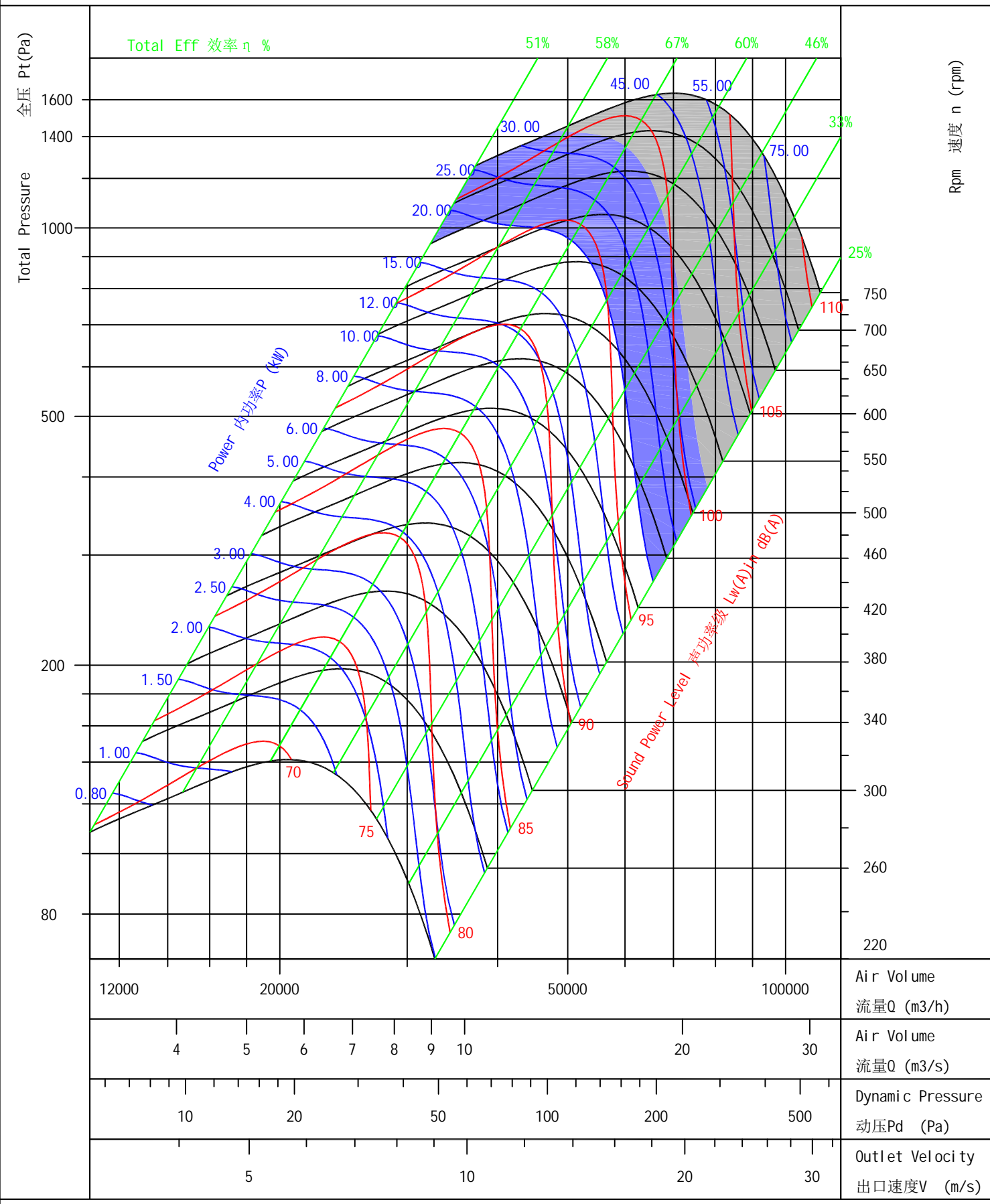


1. Performance certified is for installation type B-Free inlet, Ducted outlet. Power rating (kW) does not include transmission losses. Performance ratings do not include the effects of appurtenances (accessories).  
 2. The A-weighted sound ratings shown have been calculated per AMCA International Standard  
 3. Values shown are for inlet Lw(A) sound power levels for installation type B-free inlet, ducted outlet.



DFB800  
FEG 71

K G



1. Performance certified is for installation type B-Free inlet, Ducted outlet. Power rating (kW) does not include transmission losses. Performance ratings do not include the effects of appurtenances (accessories).

2. The A-weighted sound ratings shown have been calculated per AMCA International Standard

3. Values shown are for inlet  $L_{wiA}$  sound power levels for installation type B-free inlet, ducted outlet.



### Germany Factory (HQ)

Germany Factory    DLK Ventilatoren GmbH  
Address            Ziegeleistra e 18,  
                          74214 Schontal, Germany  
Phone              +49 7943 91020  
Email                sales.asia@dlk.com

### Malaysia Factory (Regional HQ)

Malaysia Factory    DLK Ventilatoren Malaysia Sdn. Bhd.  
Address            22, Jalan Mega 2/1, Kawasan  
                          Perindustrian Mega 2, 43500 Semenyih,  
                          Selangor, Malaysia  
Phone              (603) 8725 0845  
Email                sales@dlkasia.com

[WWW.DLKASIA.COM](http://WWW.DLKASIA.COM)

### SALES NETWORK EUROPE

•Belgium• Poland• Switzerland• Turkey• Egypt• Great Britain  
• Czech Republic • Kazakhstan

### SALES NETWORK ASIA

• China • Malaysia • Vietnam • Singapore • Philippines • Taiwan  
• Bangladesh • South Korea • Australia

Malaysia Distributor