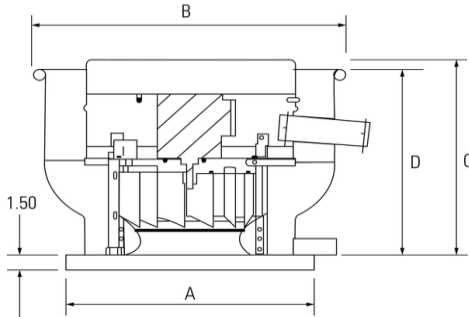


5DDU Series

Direct Drive Upblast Roof Ventilator



Dimensional Diagram:



Model	A	B	C	D
5DDU 085AY	19 (483)	20-1/2 (513)	12-1/8 (308)	10 (254)
5DDU 106A	19 (483)	23-7/8 (606)	18-7/8 (479)	16-7/8 (429)
5DDU 10AA	19 (483)	23-7/8 (606)	18-7/8 (479)	16-7/8 (429)
5DDU 12CA	22 (559)	26-1/8 (664)	19-5/8 (498)	17-3/4 (451)
5DDU 13DB	22 (559)	27-7/8 (708)	20-3/4 (527)	18-1/2 (470)
5DDU 15CA	26 (660)	29-7/8 (759)	22 (559)	19-3/8 (492)
5DDU 16DB	26 (660)	31-3/4 (806)	22-3/4 (578)	20-1/8 (511)
5DDU 18EB	30 (762)	34 (864)	24 (610)	21-1/8 (537)

Dimensions are in inches (mm)

Performance Data:

Model	Rated Power	Voltage	FLA	RPM	AMCA Certified Data							Shipping Weight (lbs)	Item #	
					0.0" Ps	0.25" Ps	0.375" Ps	0.5" Ps	0.625" Ps	0.75" Ps	1.00" Ps			
					cfm									
	HP	V	A	min ⁻¹	Sones BHP									
5DDU 085AY	1/25	120	1.50	1642	416 8.0 -	267 6.5 -	169 6.8 -	-	-	-	-	-	23	47333
5DDU 106A	1/20	120	1.20	1100	685 5.1 -	388 3.9 -	116 4.1 -	-	-	-	-	-	37	47334
5DDU 10AA	1/6	120	2.70	1725	1048 12.6 -	911 11.6 -	836 11.3 -	749 10.6 -	650 10.8 -	522 10.5 -	-	88	47335	
5DDU 12CA	1/3	120	4.00	1710	1771 13.8 0.33	1656 13.3 0.35	1597 12.9 0.35	1533 12.6 0.36	1464 12.3 0.37	1396 12.0 0.37	1238 11.3 0.38	109	47337	
5DDU 13DB	1/2	120/230	8.0/4.0	1690	2419 20 0.54	2285 19.5 0.56	2218 19.0 0.58	2145 18.6 0.59	2072 18.2 0.60	1992 17.9 0.62	1829 17.4 0.63	117	47339	
5DDU 15CA	1/3	120	4.4	1144	2174 13.5 0.27	1963 12.5 0.30	1849 12.0 0.31	1714 11.4 0.32	1568 10.8 0.32	1375 10.0 0.32	-	130	47340	
5DDU 16DB	1/2	120/230	6.2/3.1	1145	2859 15.6 0.41	2619 14.5 0.45	2494 13.7 0.47	2369 13.2 0.48	2219 12.6 0.49	2063 12.2 0.49	1502 11.0 0.46	144	47342	
5DDU 18EB	3/4	120/230	10.0/5.0	1111	3899 21 0.73	3644 20 0.78	3495 19.8 0.80	3337 18.9 0.81	3181 18.0 0.83	3011 17.3 0.84	2616 16.9 0.85	159	47343	

Performance is certified is for installation type A: free inlet, free outlet.

Speed (RPM) shown is nominal. Performance is based on actual speed of test.

Performance ratings include the effects of bird screen.

The sound ratings shown are loudness values in fan sones at 1.5 m (5 ft) in a hemispherical free field calculated per AMCA International Standard 301.

Values shown are for Installation Type A: free inlet hemispherical sone levels.

Certifications:



Fantech Inc. certifies that the 5DDU series shown herein is licensed to bear the AMCA seal. The ratings shown are based on tests and procedures performed in accordance with AMCA Publication 211 and AMCA Publication 311 and comply with the requirements of the AMCA Certified Ratings Program.