

EVS-422

(standard)

*Louver dimensions furnished approximately 1/2" (13) undersize.

Ratings

Free Area: [48" x 48" (1219 x 1219) unit]: 2.5 ft² (0.26 m²)
15.6%

Performance @ Beginning Point of Water Penetration

Free Area Velocity: 1,250 fpm (6.35 m/s)

Air Volume Delivered: 3,113 cfm (1.47 m³/s)

Pressure Loss: 0.22 in.wg. (56 Pa)

(Water penetration performance is not AMCA certified.)

Velocity @ 0.15 in.wg. Pressure Loss: 1,020 fpm (5.18 m/s)

Design Load: 30 psf

5 year warranty



Certified Ratings:

Pottorff certifies that the model EVS-422 shown herein is licensed to bear the AMCA seal. The ratings shown are based on test and procedures performed in accordance with AMCA Publication 511 and comply with the requirements of the AMCA Certified Ratings Program. The AMCA Certified Ratings seal applies to air performance and wind driven sand ratings.

The EVS-422 offers exceptional protection against wind-driven sand and is ideally suited for high wind areas or applications that are sensitive to wind-driven sand penetration. The EVS-422 is available in a wide array of anodized and painted finishes including custom color matching.

Standard Construction

Material: Mill finish 6063-T5 extruded aluminum

Frame: 4" deep x 0.081" thick (102 x 2) channel

Blades: 4" wide x 0.081" (102 x 2) thick vertical style

Screen: 1/2" x 0.063" (12.7 x 1.6) expanded and flattened aluminum

Mullion: Visible

Minimum Size: 12" x 12" (305 x 305)

Maximum Size: Single section:
60" x 120" (1524 x 3048)
120" x 60" (3048 x 1524)
Multiple section: Unlimited

Options

■ Factory finish:

- High Performance Fluoropolymer ■ Prime Coat
- Baked Enamel ■ Clear Anodize ■ Integral Color Anodize

■ Frame Options:

- 1-1/2" (38) flange frame ■ Custom-sized flange
- Stucco flange ■ Glazing frame

■ Installation Hardware

- Clip angles ■ Continuous angles

■ Alternate bird or insect screens

■ Insulated or non-insulated blank-off panels

■ Filter racks

■ Hinged frame

■ Head and/or sill flashing

■ Burglar bars

■ Frame closure

■ Net OD dimensions (actual size)

NOTE: Dimensions in parentheses () are millimeters.
Information is subject to change without notice or obligation.

PERFORMANCE

EVS-422

Extruded Aluminum Sand Louver
4" deep • Vertical Blade

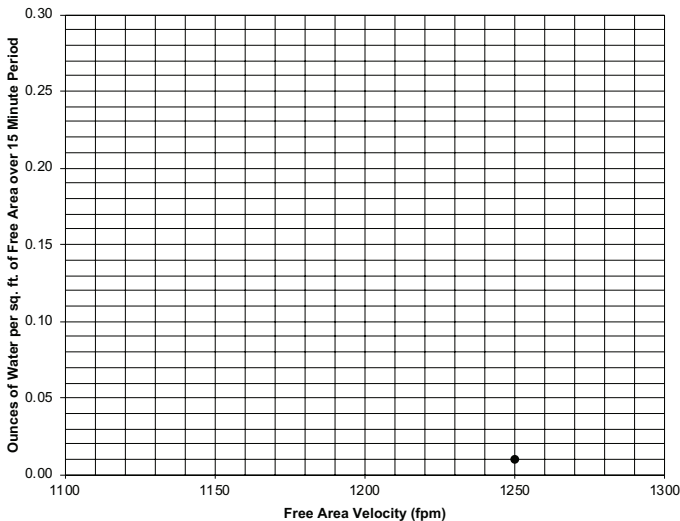
Free Area (ft²)

		Width (Inches)																		
		12	18	24	30	36	42	48	54	60	66	72	78	84	90	96	102	108	114	120
Height (Inches)	12	0.1	0.1	0.1	0.1	0.2	0.2	0.2	0.3	0.3	0.3	0.4	0.4	0.4	0.5	0.5	0.5	0.6	0.6	0.6
	18	0.1	0.2	0.3	0.3	0.4	0.5	0.6	0.7	0.8	0.8	1.0	1.0	1.1	1.2	1.2	1.4	1.4	1.5	1.6
	24	0.2	0.3	0.4	0.6	0.7	0.9	1.0	1.1	1.2	1.3	1.5	1.7	1.8	1.9	2.0	2.2	2.3	2.4	2.5
	30	0.3	0.5	0.6	0.8	0.9	1.2	1.4	1.5	1.7	1.8	2.1	2.3	2.4	2.6	2.7	3.0	3.2	3.3	3.5
	36	0.4	0.6	0.8	1.0	1.2	1.5	1.7	1.9	2.1	2.3	2.7	2.9	3.1	3.3	3.5	3.9	4.1	4.3	4.4
	42	0.5	0.7	0.9	1.2	1.4	1.9	2.1	2.4	2.6	2.8	3.3	3.5	3.8	4.0	4.2	4.7	4.9	5.2	5.4
	48	0.6	0.8	1.1	1.4	1.7	2.2	2.5	2.8	3.0	3.3	3.9	4.2	4.4	4.7	5.0	5.5	5.8	6.1	6.4
	54	0.6	1.0	1.3	1.6	1.9	2.5	2.9	3.2	3.5	3.8	4.5	4.8	5.1	5.4	5.7	6.4	6.7	7.0	7.3
	60	0.7	1.1	1.4	1.8	2.2	2.9	3.2	3.6	4.0	4.3	5.0	5.4	5.8	6.1	6.5	7.2	7.6	7.9	8.3
	66	0.8	1.2	1.6	2.0	2.4	3.2	3.6	4.0	4.4										
	72	0.9	1.3	1.8	2.2	2.7	3.5	4.0	4.4	4.9										
	78	1.0	1.5	1.9	2.4	2.9	3.9	4.4	4.8	5.3										
	84	1.1	1.6	2.1	2.6	3.2	4.2	4.7	5.3	5.8										
90	1.1	1.7	2.3	2.8	3.4	4.5	5.1	5.7	6.2											
96	1.2	1.8	2.4	3.0	3.7	4.9	5.5	6.1	6.7											
102	1.3	2.0	2.6	3.3	3.9	5.2	5.9	6.5	7.2											
108	1.4	2.1	2.8	3.5	4.2	5.5	6.2	6.9	7.6											
114	1.5	2.2	2.9	3.7	4.4	5.9	6.6	7.3	8.1											
120	1.6	2.3	3.1	3.9	4.7	6.2	7.0	7.8	8.5											

Water Penetration

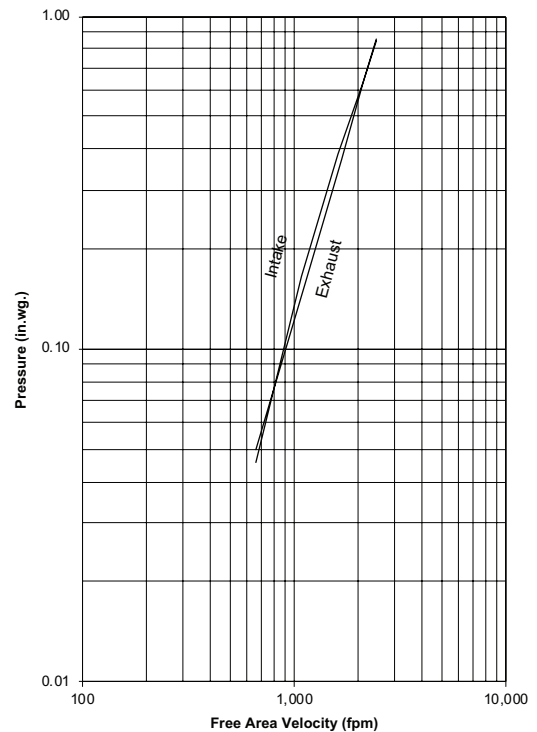
AMCA defines the beginning point of water penetration as the free area velocity at the intersection of a simple linear regression of test data and the line of 0.01 ounces of water per square foot of free area and is measured through a 48" x 48" louver during a 15 minute period. The AMCA water penetration test provides a method for comparing louver models and designs as to their efficiency in resisting the penetration of rainfall under specific lab conditions. We recommend that intake louvers are selected with a reasonable margin of safety below the beginning point of water penetration in order to avoid unwanted penetration during severe storm conditions.

Beginning Point of Water Penetration = Above 1250 fpm



(Water penetration performance is not AMCA certified.)

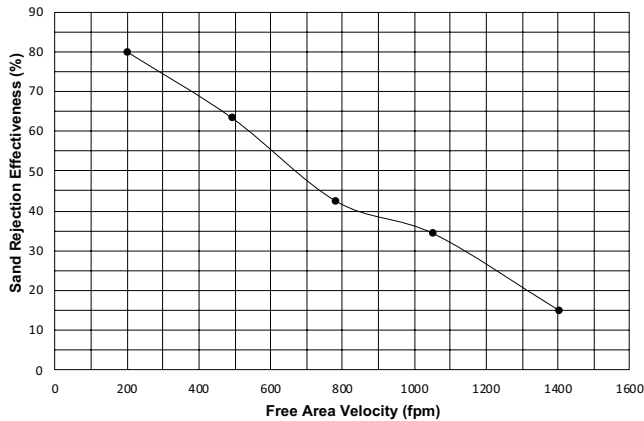
Pressure Loss



Louver Test Size = 48" x 48" (1219 x 1219)
Pressure loss tested in accordance with Figure 5.5 of AMCA Standard 500-L. Data corrected to standard air density.

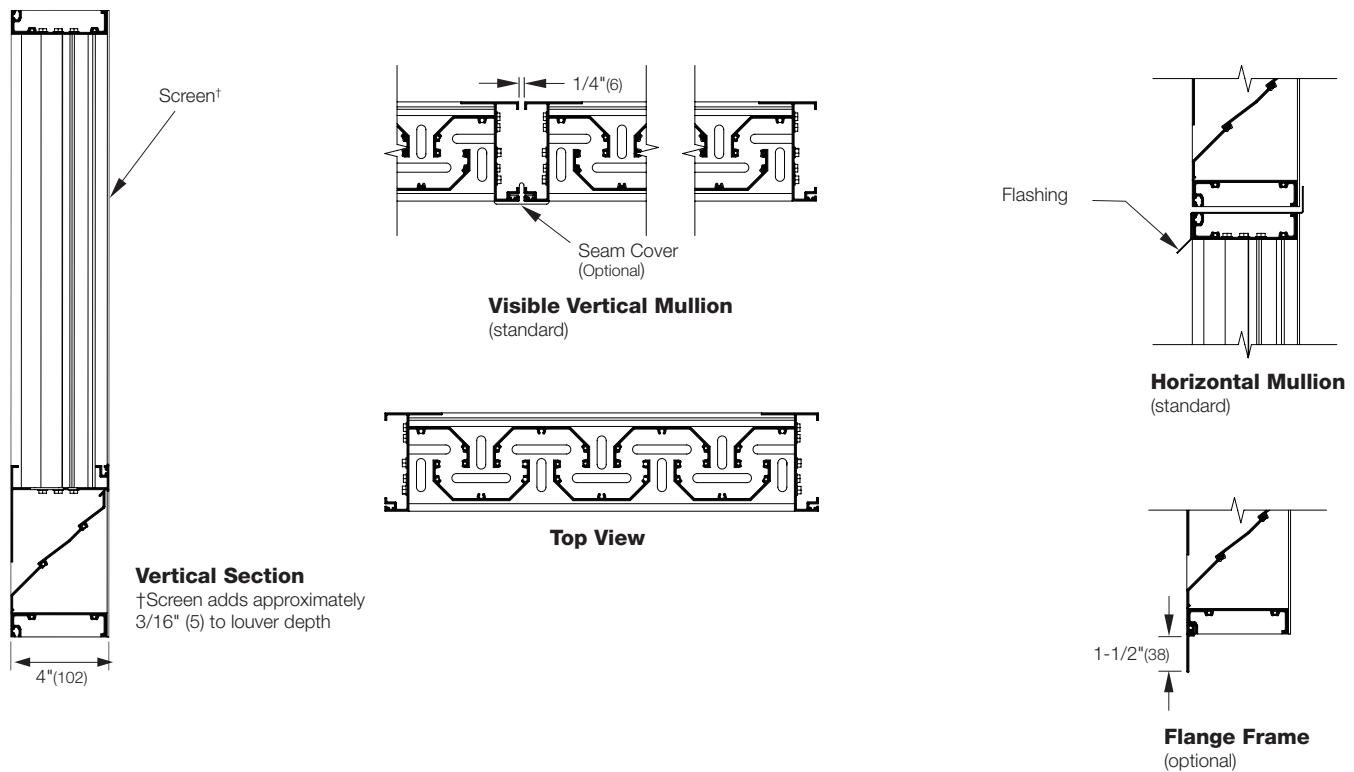
Wind Driven Sand Performance

Test No.	Airflow Rate		Free Area Velocity		Total Mass Injected		Total Mass Rejected		Sand Rejection Effectiveness
	cfm	(m ³ /s)	fpm	(m/s)	lb	(g)	lb	(g)	%
1	509	(0.24)	204	(1.04)	2.21	(1,001)	1.76	(799)	79.9
2	1,229	(0.58)	494	(2.51)	2.21	(1,000)	1.40	(634)	63.4
3	1,949	(0.92)	783	(3.98)	4.41	(2,001)	1.88	(851)	42.5
4	2,627	(1.24)	1,055	(5.36)	4.41	(2,001)	1.51	(686)	34.3
5	3,496	(1.65)	1,404	(7.13)	4.41	(2,000)	0.66	(300)	15.0

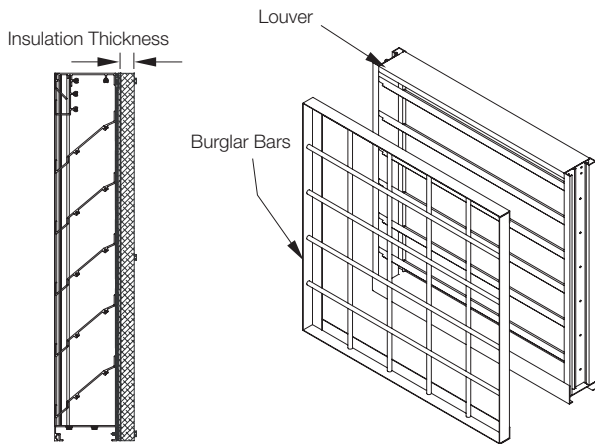


Louver Test Size = 48" x 48" (1219 x 1219)
Grading of the sand used for wind driven rain performance tests was per ANSI/AMCA Standard 500-L.

Attributes

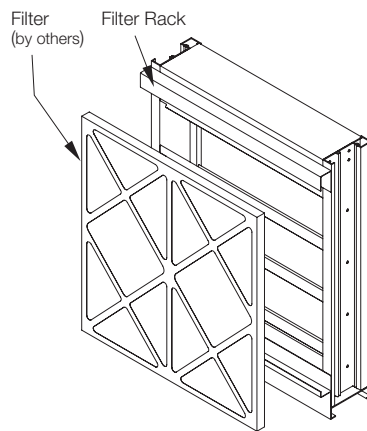


Supplemental Options

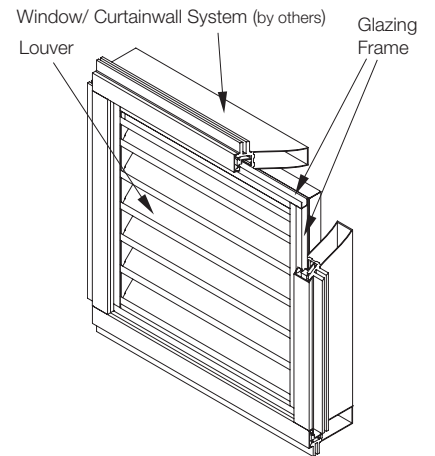


Blank-Off Options
Non-Insulated and Gasketed
1" Insulated (4.25 R-value)
2" Insulated (8.75 R-value)

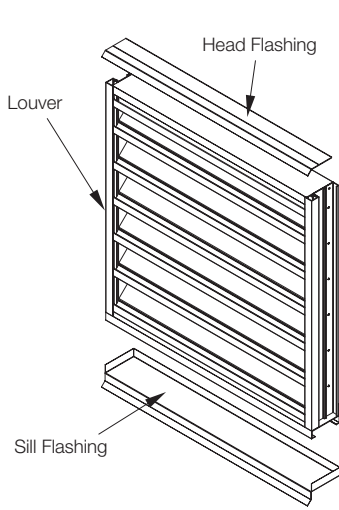
Burglar Bars
Shipped Loose or Mounted



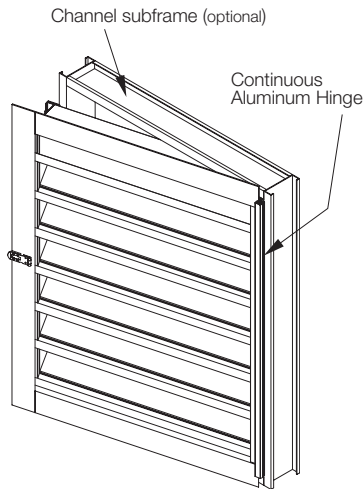
Filter Rack



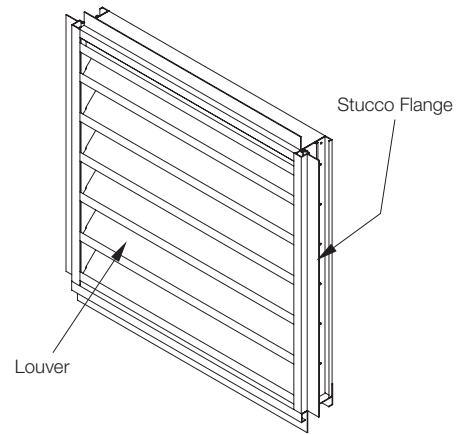
Glazing Frame



Flashing Options
Head and Sill Available



Hinge and Subframe
Right or Left Side Option Available



Stucco Flange