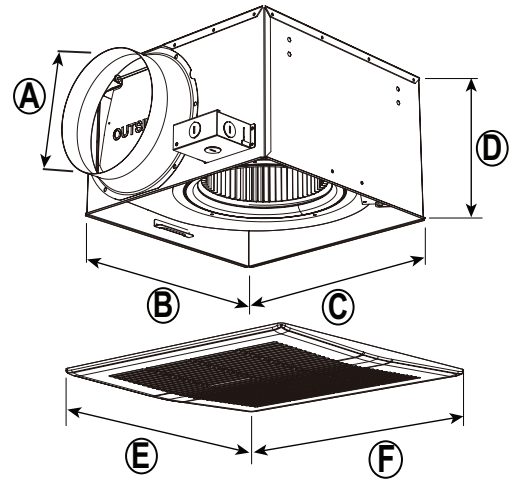


bathfan COM Series

Ceiling Ventilator



Certifications:



Fantech Inc. certifies that the bathfan COM series shown herein is licensed to bear the AMCA seal. The ratings shown are based on tests and procedures performed in accordance with AMCA Publication 211 and comply with the requirements of the AMCA Certified Ratings Program.

Dimensional Table (in inches (mm)):

Model	A	B	C	D	E	F
bathfan COM200-300-400-500	8 (203)	14 1/8 (359)	14 1/8 (359)	9 (229)	15 1/2 (394)	16 1/2 (419)

Performance Data:

Certified Data

Model	Item #	Airflow Switch Position	0.0"Ps	0.1"Ps	0.2"Ps	0.4"Ps	0.6"Ps	0.8"Ps	Max Ps (in. wg.)	Nominal Voltage (V)	Nominal RPM (min-1)	Phase, Freq. (-,Hz)	Max Amps (A)	Rated Power (W)
			CFM											
bathfan COM200-300-400-500	484320	200 CFM	201	194	187	178	171	164	1.06	120	1043	1, 60	0.81	55
		300 CFM	286	279	272	259	247	235	1.05		1066		0.97	68
		400 CFM	370	365	359	348	337	300	1.06		1080	1, 60	1.09	77
		500 CFM	465	458	450	436	421	331	1.04		1075		1.31	95

Performance certified is for Installation Type B: Free inlet, Ducted outlet. | Speed (RPM) shown is nominal. Performance is based on actual speed of test. | Performance ratings do not include the effects of appurtenances (accessories).