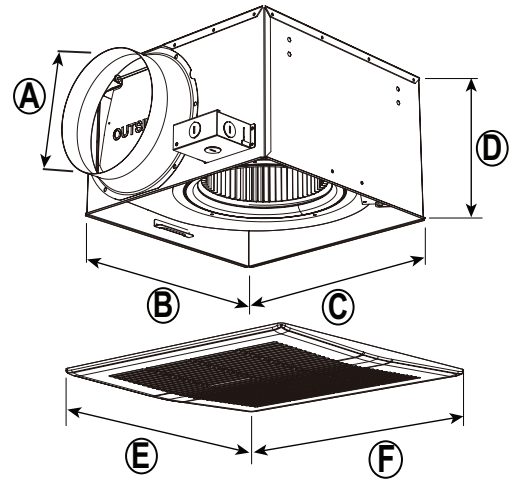


# bathfan COM Series

## Ceiling Ventilator



### Certifications:



Systemair Mfg. Inc. certifies that the bathfan COM series shown herein is licensed to bear the AMCA seal. The ratings shown are based on tests and procedures performed in accordance with AMCA Publication 211 and comply with the requirements of the AMCA Certified Ratings Program.

### Dimensional Table (in inches (mm)):

| Model                      | A       | B            | C            | D       | E            | F            |
|----------------------------|---------|--------------|--------------|---------|--------------|--------------|
| bathfan COM200-300-400-500 | 8 (203) | 14 1/8 (359) | 14 1/8 (359) | 9 (229) | 15 1/2 (394) | 16 1/2 (419) |

### Performance Data:

### Certified Data

| Model                      | Item # | Airflow Switch Position | 0.0"Ps | 0.1"Ps | 0.2"Ps | 0.4"Ps | 0.6"Ps | 0.8"Ps | Max Ps (in. wg.) | Nominal Voltage (V) | Nominal RPM (min-1) | Phase, Freq. (-,Hz) | Max Amps (A) | Rated Power (W) |
|----------------------------|--------|-------------------------|--------|--------|--------|--------|--------|--------|------------------|---------------------|---------------------|---------------------|--------------|-----------------|
|                            |        |                         | CFM    |        |        |        |        |        |                  |                     |                     |                     |              |                 |
| bathfan COM200-300-400-500 | 484320 | 200 CFM                 | 201    | 194    | 187    | 178    | 171    | 164    | 1.06             | 120                 | 1043                | 1, 60               | 0.81         | 55              |
|                            |        | 300 CFM                 | 286    | 279    | 272    | 259    | 247    | 235    | 1.05             |                     | 1066                |                     | 0.97         | 68              |
|                            |        | 400 CFM                 | 370    | 365    | 359    | 348    | 337    | 300    | 1.06             |                     | 1080                | 1, 60               | 1.09         | 77              |
|                            |        | 500 CFM                 | 465    | 458    | 450    | 436    | 421    | 331    | 1.04             |                     | 1075                |                     | 1.31         | 95              |

Performance certified is for Installation Type B: Free inlet, Ducted outlet. | Speed (RPM) shown is nominal. Performance is based on actual speed of test. | Performance ratings do not include the effects of appurtenances (accessories).