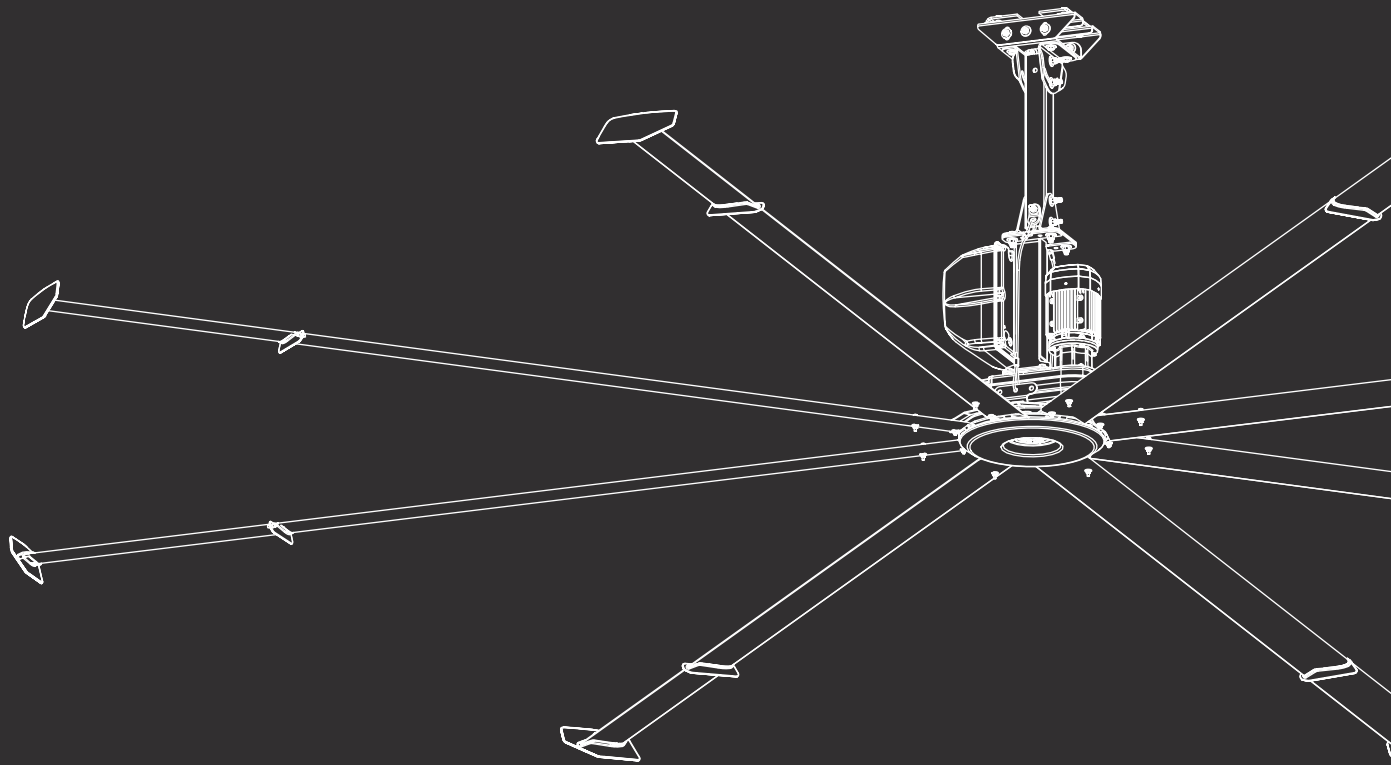


# PERFORMANCE CATALOG

---

## POWERFOIL X4





Big Ass Fans certifies that the model Powerfoil X4 shown herein is licensed to bear the AMCA Seal. The ratings shown are based on tests and procedures performed in accordance with AMCA Publication 211 and comply with the requirements of the AMCA Certified Ratings Program. The AMCA Certified Ratings Seal applies to air performance ratings only. The AMCA Certified Ratings Seal applies at free delivery only. Performance ratings do not include the effects of appurtenances (accessories).

No part of this document may be reproduced or translated into a different language without the prior written consent of Big Ass Fans. The information contained in this document is subject to change without notice.

# POWERFOIL® X4



**Diameter: 12 ft (3.7 m)**

200–240 V, 1 Φ, 60 Hz					
Speed (RPM)	Power (W)	Airflow (CFM)	Standby Power (W)	CFEI <sub>100</sub>	CFEI <sub>40</sub>
129.7	1341	85,094	6	1.11	1.58
104.3	762	68,858			
77.9	366	51,597			
52.8	157	34,688			
26.6	49	17,053			

400–480 V, 1 Φ, 60 Hz					
Speed (RPM)	Power (W)	Airflow (CFM)	Standby Power (W)	CFEI <sub>100</sub>	CFEI <sub>40</sub>
129.2	1315	86,682	10	1.19	1.46
103.6	774	69,333			
78.2	364	51,526			
53.0	168	34,558			
25.8	64	16,012			

**Diameter: 14 ft (4.3 m)**

200–240 V, 1 Φ, 60 Hz					
Speed (RPM)	Power (W)	Airflow (CFM)	Standby Power (W)	CFEI <sub>100</sub>	CFEI <sub>40</sub>
115.4	1714	117,412	6	1.13	1.45
92.1	913	94,025			
69.6	440	71,177			
48.1	204	48,088			
23.7	51	22,033			

400–480 V, 1 Φ, 60 Hz					
Speed (RPM)	Power (W)	Airflow (CFM)	Standby Power (W)	CFEI <sub>100</sub>	CFEI <sub>40</sub>
114.8	1674	118,557	8	1.18	1.49
92.6	931	95,782			
69.7	448	70,912			
46.7	191	47,064			
23.7	62	22,654			

**Diameter: 16 ft (4.9 m)**

200–240 V, 1 Φ, 60 Hz					
Speed (RPM)	Power (W)	Airflow (CFM)	Standby Power (W)	CFEI <sub>100</sub>	CFEI <sub>40</sub>
95.8	1644	141,081	6	1.17	1.58
76.6	869	111,396			
58.0	435	83,427			
38.9	178	55,695			
19.9	56	27,303			

400–480 V, 1 Φ, 60 Hz					
Speed (RPM)	Power (W)	Airflow (CFM)	Standby Power (W)	CFEI <sub>100</sub>	CFEI <sub>40</sub>
95.2	1637	143,707	8	1.23	1.47
76.3	881	114,793			
57.6	431	85,564			
38.4	192	55,937			
19.3	58	27,001			

All Powerfoil X4 fans are infinitely adjustable between their minimum and maximum fan speeds, have lighting controls that are separate from the fan speed controls (if a light is provided with the fan), and are capable of forward and reverse operation.

# POWERFOIL® X4



## Diameter: 18 ft (5.5 m)

### 200–240 V, 1 Φ, 60 Hz

Speed (RPM)	Power (W)	Airflow (CFM)	Standby Power (W)	CFEI <sub>100</sub>	CFEI <sub>40</sub>
89.3	2221	185,116	6	1.15	1.53
72.2	1193	148,968			
54.1	545	111,297			
36.0	223	73,136			
18.1	54	35,793			

### 400–480 V, 1 Φ, 60 Hz

Speed (RPM)	Power (W)	Airflow (CFM)	Standby Power (W)	CFEI <sub>100</sub>	CFEI <sub>40</sub>
88.4	2093	185,331	8	1.22	1.40
71.0	1146	148,319			
53.6	557	111,268			
37.0	257	75,595			
18.1	64	35,309			

## Diameter: 20 ft (6.1 m)

### 200–240 V, 1 Φ, 60 Hz

Speed (RPM)	Power (W)	Airflow (CFM)	Standby Power (W)	CFEI <sub>100</sub>	CFEI <sub>40</sub>
75.2	1985	206,761	6	1.19	1.69
60.5	1068	166,280			
45.3	495	125,836			
30.6	206	84,537			
15.5	53	38,371			

### 400–480 V, 1 Φ, 60 Hz

Speed (RPM)	Power (W)	Airflow (CFM)	Standby Power (W)	CFEI <sub>100</sub>	CFEI <sub>40</sub>
74.5	1880	205,975	9	1.24	1.51
59.8	1039	165,616			
45.3	504	124,931			
30.5	228	83,981			
15.2	61	39,721			

## Diameter: 24 ft (7.3 m)

### 200–240 V, 1 Φ, 60 Hz

Speed (RPM)	Power (W)	Airflow (CFM)	Standby Power (W)	CFEI <sub>100</sub>	CFEI <sub>40</sub>
61.4	2197	273,838	6	1.19	1.75
49.7	1189	223,237			
37.2	541	166,296			
24.8	214	109,840			
12.6	54	52,321			

### 400–480 V, 1 Φ, 60 Hz

Speed (RPM)	Power (W)	Airflow (CFM)	Standby Power (W)	CFEI <sub>100</sub>	CFEI <sub>40</sub>
61.1	2073	270,177	9	1.22	1.57
49.2	1155	219,310			
36.7	539	163,858			
24.9	240	110,270			
12.6	66	52,647			

All Powerfoil X4 fans are infinitely adjustable between their minimum and maximum fan speeds, have lighting controls that are separate from the fan speed controls (if a light is provided with the fan), and are capable of forward and reverse operation.

# POWERFOIL® X4



**Diameter: 30 ft\* (9.1 m\*)**

200–240 V, 1 Φ, 60 Hz					
Speed (RPM)	Power (W)	Airflow (CFM)	Standby Power (W)	CFEI <sub>100</sub>	CFEI <sub>40</sub>
45.8	2163	371,013	6	1.23	1.77
36.9	1178	301,716			
27.7	539	224,893			
19.0	238	153,250			
9.3	56	70,642			

400–480 V, 1 Φ, 60 Hz					
Speed (RPM)	Power (W)	Airflow (CFM)	Standby Power (W)	CFEI <sub>100</sub>	CFEI <sub>40</sub>
45.4	2086	368,098	9	1.25	1.69
36.6	1161	298,974			
27.3	546	223,138			
18.5	241	149,927			
9.3	65	72,242			

\*30-ft (9.1-m) diameter HVLS fans are a specialty application product that should only be used where appropriate. Due to current versions of NFPA standards, 30-ft (9.1-m) diameter HVLS fans may not comply with local codes and regulations if EFSR systems are in place. Please consult with local code officials and Big Ass Fans before specifying or installing 30-ft (9.1-m) diameter HVLS fans.

All Powerfoil X4 fans are infinitely adjustable between their minimum and maximum fan speeds, have lighting controls that are separate from the fan speed controls (if a light is provided with the fan), and are capable of forward and reverse operation.







**BIG ASS FANS<sup>®</sup>**

2348 Innovation Drive, Lexington, KY 40511  
1 (877) BIG-FANS | [WWW.BIGASSFANS.COM](http://WWW.BIGASSFANS.COM)

PX4-MISC-156-ENG-01 REV. B