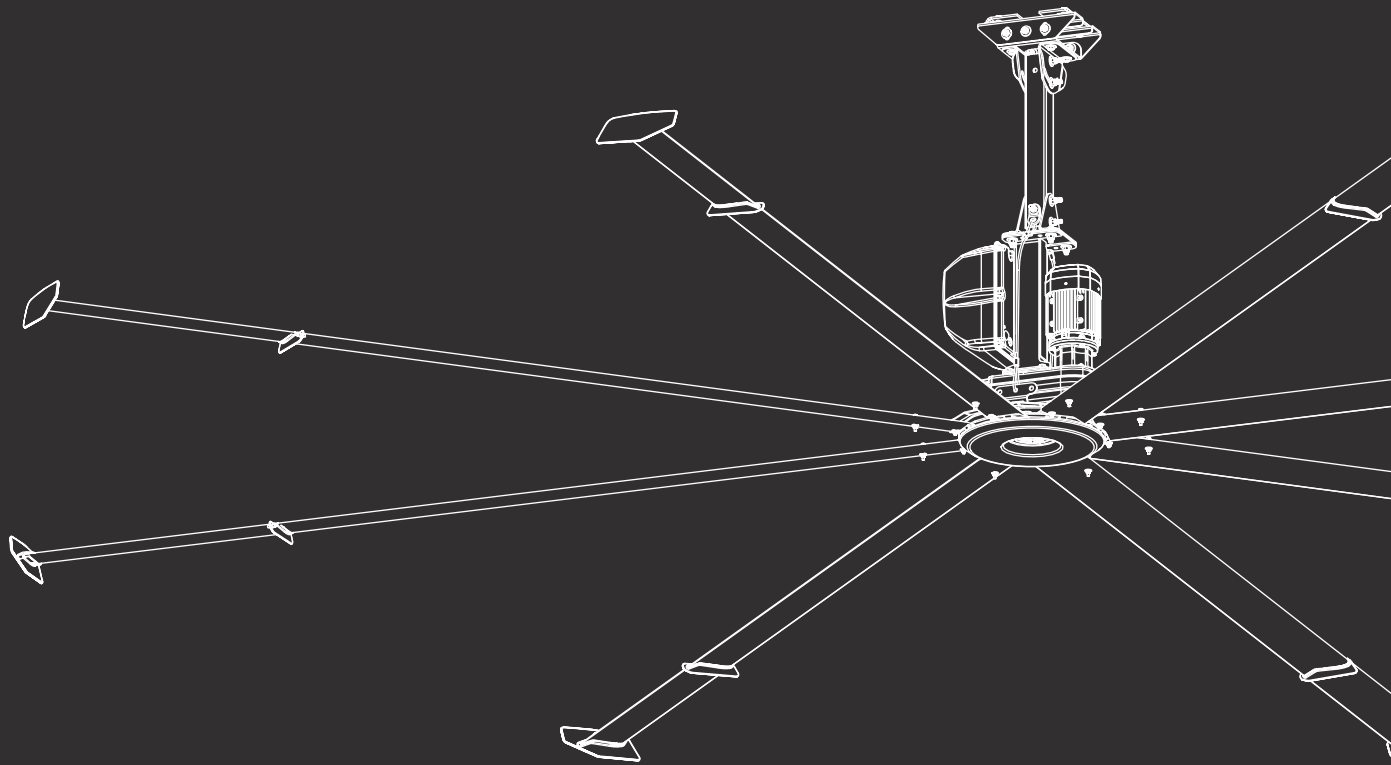


PERFORMANCE CATALOG

POWERFOIL X4





Big Ass Fans certifies that the model Powerfoil X4 shown herein is licensed to bear the AMCA Seal. The ratings shown are based on tests and procedures performed in accordance with AMCA Publication 211 and comply with the requirements of the AMCA Certified Ratings Program. The AMCA Certified Ratings Seal applies to air performance ratings only. The AMCA Certified Ratings Seal applies at free delivery only. Performance ratings do not include the effects of appurtenances (accessories).

No part of this document may be reproduced or translated into a different language without the prior written consent of Big Ass Fans. The information contained in this document is subject to change without notice.

POWERFOIL® X4



Diameter: 12 ft (3.7 m), PFX4-12XX

200–240 V, 3 Φ, 60 Hz					
Speed (RPM)	Power (W)	Airflow (CFM)	Standby Power (W)	CFEI ₁₀₀	CFEI ₄₀
130	1,312	85,924	5	1.12	1.63
104	747	69,306			
79	360	51,359			
53	166	34,163			
27	51	16,363			

Diameter: 14 ft (4.3 m), PFX4-14XX

200–240 V, 3 Φ, 60 Hz					
Speed (RPM)	Power (W)	Airflow (CFM)	Standby Power (W)	CFEI ₁₀₀	CFEI ₄₀
116	1,658	117,534	6	1.17	1.49
93	908	94,434			
70	496	71,243			
48	214	48,043			
24	48	23,418			

Diameter: 16 ft (4.9 m), PFX4-16XX

200–240 V, 3 Φ, 60 Hz					
Speed (RPM)	Power (W)	Airflow (CFM)	Standby Power (W)	CFEI ₁₀₀	CFEI ₄₀
96	1,649	141,967	5	1.19	1.61
78	916	114,354			
58	424	84,911			
38	180	56,447			
20	54	26,025			

Diameter: 18 ft (5.5 m), PFX4-18XX

200–240 V, 3 Φ, 60 Hz					
Speed (RPM)	Power (W)	Airflow (CFM)	Standby Power (W)	CFEI ₁₀₀	CFEI ₄₀
90	2,097	183,573	5	1.19	1.56
72	1,138	147,615			
54	524	110,085			
36	235	75,015			
18	61	34,885			

Diameter: 20 ft (6.1 m), PFX4-20XX

200–240 V, 3 Φ, 60 Hz					
Speed (RPM)	Power (W)	Airflow (CFM)	Standby Power (W)	CFEI ₁₀₀	CFEI ₄₀
75	1,933	206,627	6	1.22	1.68
60	1,049	166,292			
45	488	124,601			
30	203	83,507			
15	46	39,705			

All Powerfoil X4 fans are infinitely adjustable between their minimum and maximum fan speeds, have lighting controls that are separate from the fan speed controls (if a light is provided with the fan), and are capable of forward and reverse operation.

POWERFOIL® X4



Diameter: 24 ft (7.3 m), PFX4-24XX

200–240 V, 3 Φ, 60 Hz					
Speed (RPM)	Power (W)	Airflow (CFM)	Standby Power (W)	CFEI ₁₀₀	CFEI ₄₀
62	2,136	271,603	5	1.23	1.73
50	1,191	219,216			
37	526	163,663			
25	219	110,683			
12	51	49,411			

Diameter: 30 ft (9.1 m), PFX4-30XX*

200–240 V, 3 Φ, 60 Hz					
Speed (RPM)	Power (W)	Airflow (CFM)	Standby Power (W)	CFEI ₁₀₀	CFEI ₄₀
46	2,199	375,365	5	1.25	1.86
37	1,201	303,295			
28	553	227,872			
19	224	151,620			
9	51	71,740			

*30-ft (9.1-m) diameter HVLS fans are a specialty application product that should only be used where appropriate. Due to current versions of NFPA standards, 30-ft (9.1-m) diameter HVLS fans may not comply with local codes and regulations if EFSR systems are in place. Please consult with local code officials and Big Ass Fans before specifying or installing 30-ft (9.1-m) diameter HVLS fans.

All Powerfoil X4 fans are infinitely adjustable between their minimum and maximum fan speeds, have lighting controls that are separate from the fan speed controls (if a light is provided with the fan), and are capable of forward and reverse operation.

Fans tested in forward direction of operation.

© 2022 Delta T LLC dba Big Ass Fans. All rights reserved. | PX4-MISC-156-ENG-01 | REV. D



BIG ASS FANS[®]

2348 Innovation Drive, Lexington, KY 40511
1 (877) BIG-FANS | WWW.BIGASSFANS.COM

PX4-MISC-156-ENG-01 REV. D