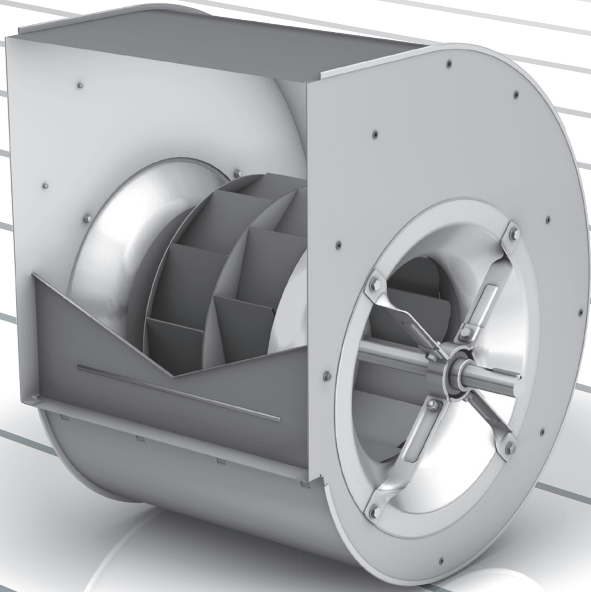


Centrifugal Fans belt driven

RDY FAN DATA/EN
April 2023

RDY



AMCA



Nicotra Gebhardt (Guangzhou) Co.Ltd. certifies that the RDY series shown herein is licensed to bear the AMCA Seal.

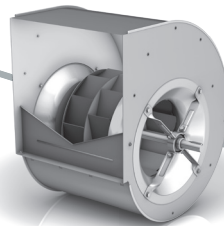
The ratings shown are based on tests and procedures performed in accordance with AMCA publication 211 and AMCA publication 311 and comply with the requirements of the AMCA Certified Ratings Program.

The Nicotra Gebhardt portfolio

A strong provider for many optimal solutions

When it comes to radial fans, we are the first people you should talk to. From belt-driven radial fans to plugfans, it's all there in our product portfolio. We offer the largest, most comprehensive range of products in this area – and of course the matching services.

RDY



double-inlet
backward-curved
impeller geometry

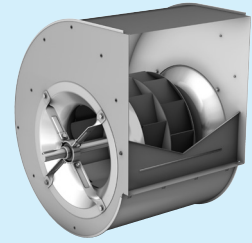
High performance centrifugal fan RDY

double inlet for belt drive

centrifugal impeller with backward inclined blades

▶ Volume up to 290,000 m³/h

▶ Pressure up to 3,500 Pa



RDY

Fittings / Accessories

▶ complete system accessories

▶ miscellaneous fittings

Accessories

Description

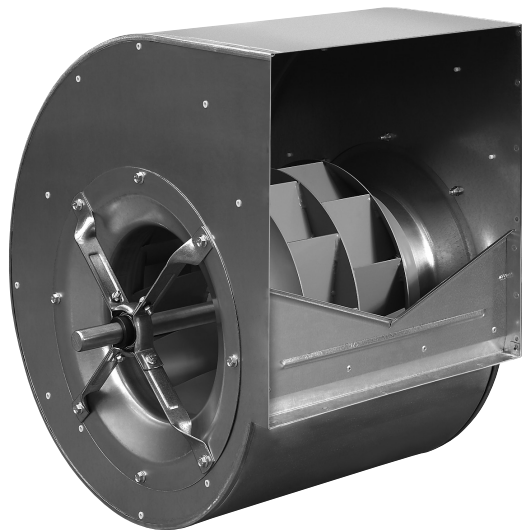
▶ technical description

▶ operating limits



Description

Working towards perfection



The RDY series

This fan range employs housings with square-shaped outlet and sizes from the R20 normal number series, in accordance to AMCA Standard 99-16 and to DIN 323.

The RDY range is made of high efficiency, double width, double inlet centrifugal fans with backward inclined blades.

Volume flow rate from 600 m³/h to 150.000 m³/h

Total pressure up to 3.500 Pa.

Construction versions

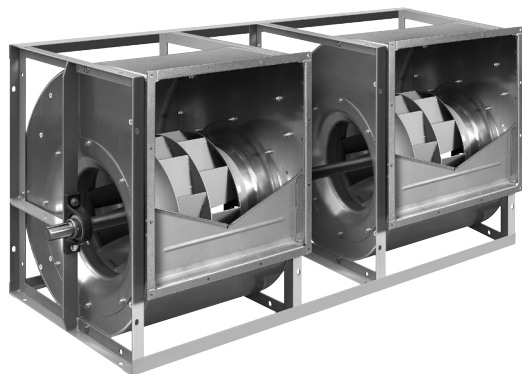
RDY fans are available in the following versions:

Version	L	R	K	K1	K2
Sizes	0180/-0560	0180/-0710	0200/-1000	0315/-0900	0500/-1000

Twin fan versions

Where a limited fan height is required, RDY fans are available also in double or twin fan versions, with two double inlet impellers on a common shaft, supported by three or four bearings. These versions are identified by the G2 prefix. Double fans are available in the following sizes:

Version	G2K	G2K2
Sizes	0250/-1000	0250/-1000



Construction Specifications

The construction standard used for Nicotra Gebhardt RDY fans is inspired to the maximum strength and reliability, independently from the construction version.

Common characteristics of these products are:

- product quality
- high performance
- outmost economy
- quietness
- ease of assembly

Scrolls

All the scrolls are made with hot dip galvanised steel EN 10142. No electrical spot welding is used as the scroll back is joined to the side plates with the Pittsburgh lock forming system. This prevents any oxidation starting from the welding spots.

Attachment points on the side plates

Standard holes in the side plates are used to attach mounting feet or side frames to create different versions. Up to size 400, self-threading screws are used, while all the larger sizes have captive nuts for use with M10 screws.

Impellers

RDY impellers, starting from size 250, have 11 specially-designed, backward inclined blades. Built from mild steel, they are welded, treated and painted with alchidic-melamminic paint RAL 7030. The smaller fan sizes (180...225) have 8 bladed, backward curved impellers, made with Glassfibre Reinforced Polyamide. RDY impellers are statically and dynamically balanced according to ISO 1940 with grade G4.

Side frames

Light-construction side frames of the R versions are made with cold-formed, galvanised steel "Sendzimir" type EN 10142. Heavy-duty side frames of the K, K1, K2, G2K and G2K2 versions are made with hot-rolled steel sections, welded and coated with alchidic-melamminic paint RAL 7030. As an option, they can be protected with hot dip galvanising.

Shafts

Manufactured from precision ground, C45 carbon steel bars, using precision tools to cut keyways. All the shafts are coated, after assembly, with a clearly distinguishable, bright yellow protective paint. Stainless steel shafts can be provided on request, with an appropriate reduction of the maximum operating speed. Shaft diameters are selected to achieve a safety factor for critical speed ≥ 1.25 higher than the maximum operating speed..

The product range at a glance

The technical specifications of the RDY series.

The standard series are designed for permanent ventilation at up to +80 °C resp. +100 °C. According to DIN 24166, the specifications conform to accuracy class 1 (for all sizes from 0355 to 1000) and accuracy class 2 (for all sizes from 0180 to 315).






RDY series



- ▶ Lap jointed scroll of galvanised sheet steel assembled by Pittsburgh lockforming, with V-cut off.
- ▶ High performance radial impeller with 11 backward inclined blades made of sheet steel, welded and painted, balanced acc. to ISO 1940.
- ▶ Volume up to 150.000 m³/h
- ▶ Pressure up to 3.500 Pa

The RDY range of models:

The right fan for every specification!

Depending on the fan size, the RDY series have up to 5 mechanical versions of the single fan and up to 2 additional twin fan options. In this way, we ensure that we have the perfect model for all requirements and any application.

Version	Description	Figure
RDY L	Lap jointed scroll without feet and discharge flange. Light duty bearing execution with pressed steel housing/strut assemblies.	
RDY R	Lap jointed scroll with rectangular side frame, without discharge flange. Light duty bearing execution with pressed steel housing/strut assemblies.	
RDY K	Lap jointed scroll with heavy duty reinforced side frames, without discharge flange. Medium duty bearing execution with cast iron pillow block, mounted on a robust pedestal.	
RDY K1	Lap jointed scroll with heavy duty reinforced side frames, without discharge flange. Medium-heavy duty bearing execution with cast iron pillow block, mounted on a robust pedestal.	
RDY K2	Lap jointed scroll with heavy duty reinforced side frames, without discharge flange. Heavy duty bearing execution with single-piece resp. split-type plummer block, mounted on a robust pedestal.	

Version	Description	Figure
RDY G2K	The two single fans RDY K are fitted together to a robust assembly by means of 3 angle bars. Both impellers are fitted on a common shaft supported by 3 bearings (sizes 0250/-0630) or the fans have separated shafts being connected by a elastic coupling (sizes 0710/-1000).	
RDY G2K2	The two single fans RDY K2 are fitted together to a robust assembly by means of 3 angle bars. Both impellers are fitted on a common shaft supported by 3 bearings (sizes 0250/-0630) or the fans have separated shafts being connected by a elastic coupling (sizes 0710/-1000).	

Performance certified is for installation type B - free inlet, ducted outlet.
 Performance ratings do not include the effects of appurtenances (accessories); power rating (kW) does not include transmission losses.
 The A-weighted sound power ratings shown have been calculated per AMCA International Standard 301.
 Values shown are for inlet LWi (A) sound power levels for installation type B: free inlet, ducted outlet.

Technical Data

Impeller Data

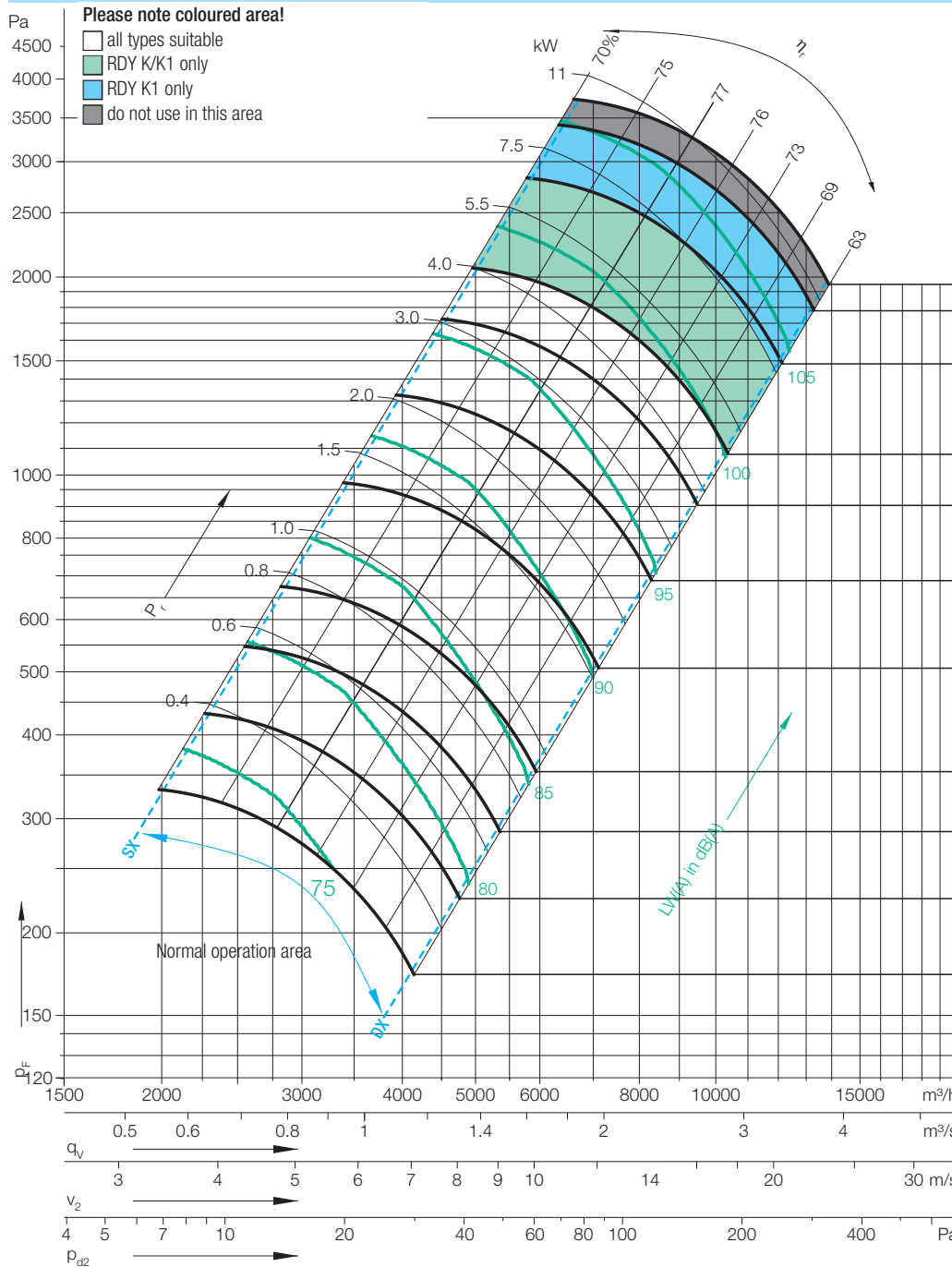
Impeller diameter	D_r	317 mm
Number of blades	z	11
Moment of Inertia	J	0,110 kgm ²

Impeller Data

Impeller weight	m	7,14 kg
Density of media	ρ_1	1,2 kg/m ³
Tolerance class (DIN 24166)		2

FEG 90

Performance Curves

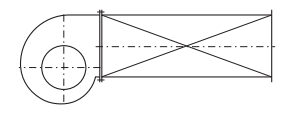


AMCA WORLDWIDE CERTIFIED RATING
SOUND AIR PERFORMANCE FEG 90
 Nicotra Gebhardt (Guangzhou) Co.Ltd. certifies that the RDY series shown herein is licensed to bear the AMCA Seal. The ratings shown are based on tests and procedures performed in accordance with AMCA publication 211 and AMCA publication 311 and comply with the requirements of the AMCA Certified Ratings Program.

1/min	W	W	W	W
4700	56	56	71	235
4500	54	54	68	225
4100	49	49	62	205
3500	42	42	53	175
3200	38	38	47	160
2800	34	34	4	140
2400	29	29	36	120
2000	24	24	30	100
1800	22	22	27	90
1600	19	19	24	80
1400	17	17	21	70

Z RDY L RDY R RDY K RDY K1 P_b

Measured in installation B according to ISO 5801:



Performance certified is for installation type B - free inlet, ducted outlet.
 Performance ratings do not include the effects of appurtenances (accessories); power rating (kW) does not include transmission losses.
 The A-weighted sound power ratings shown have been calculated per AMCA International Standard 301.
 Values shown are for inlet LWi (A) sound power levels for installation type B: free inlet, ducted outlet.

Technical Data

Impeller Data

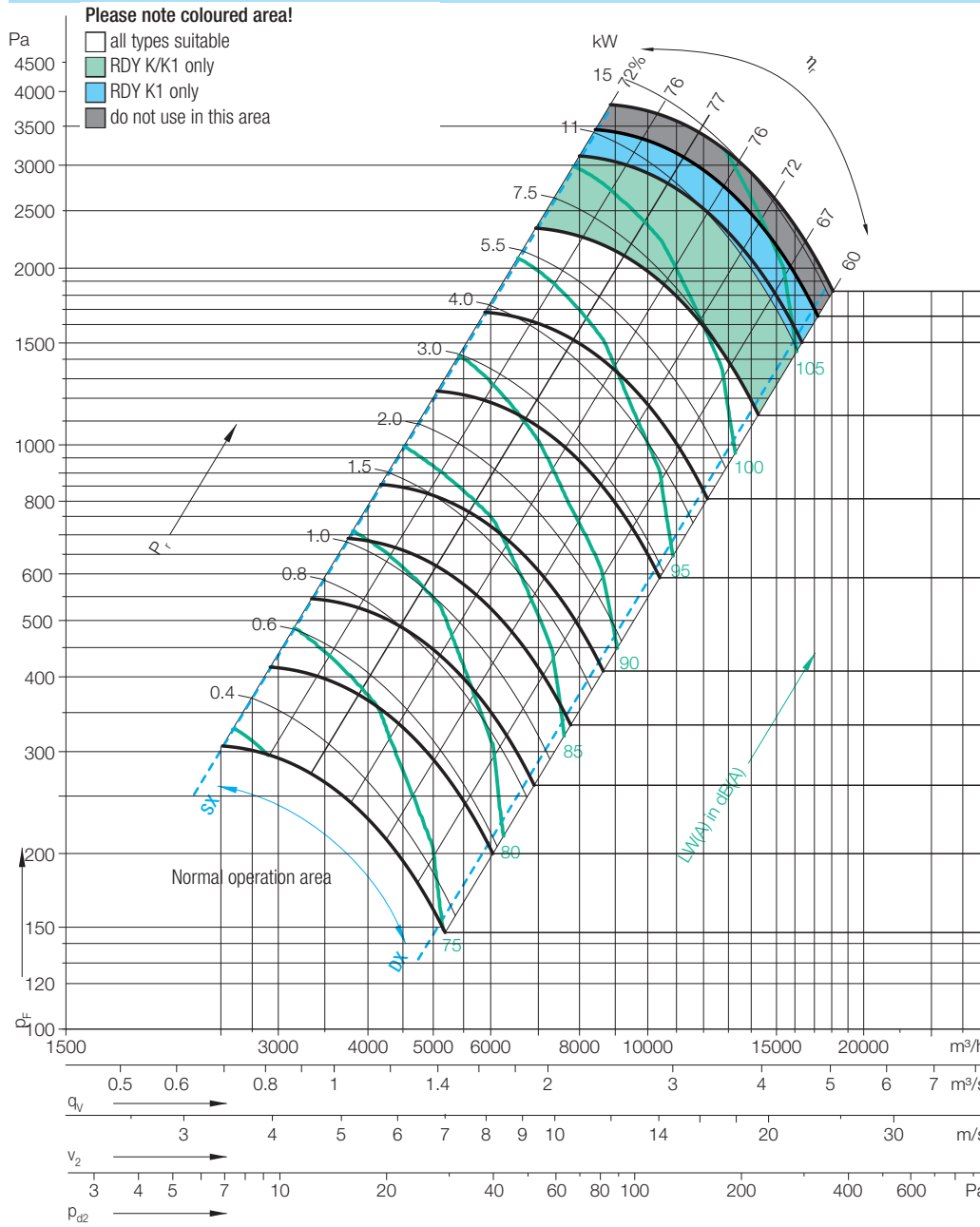
Impeller diameter	D_r	357 mm
Number of blades	z	11
Moment of Inertia	J	0,200 kgm ²

Impeller Data

Impeller weight	m	10,2 kg
Density of media	ρ_1	1,2 kg/m ³
Tolerance class (DIN 24166)		1

FEG 85

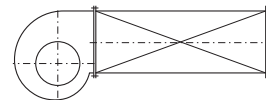
Performance Curves



AMCA WORLDWIDE CERTIFIED RATING
SOUND IN AIR PERFORMANCE FEG 85

Nicotra Gebhardt (Guangzhou) Co.Ltd. certifies that the RDY series shown herein is licensed to bear the AMCA Seal. The ratings shown are based on tests and procedures performed in accordance with AMCA publication 211 and AMCA publication 311 and comply with the requirements of the AMCA Certified Ratings Program.

Measured in installation B according to ISO 5801:



Performance certified is for installation type B - free inlet, ducted outlet.
 Performance ratings do not include the effects of appurtenances (accessories); power rating (kW) does not include transmission losses.
 The A-weighted sound power ratings shown have been calculated per AMCA International Standard 301.
 Values shown are for inlet LWi (A) sound power levels for installation type B: free inlet, ducted outlet.

Technical Data

Impeller Data

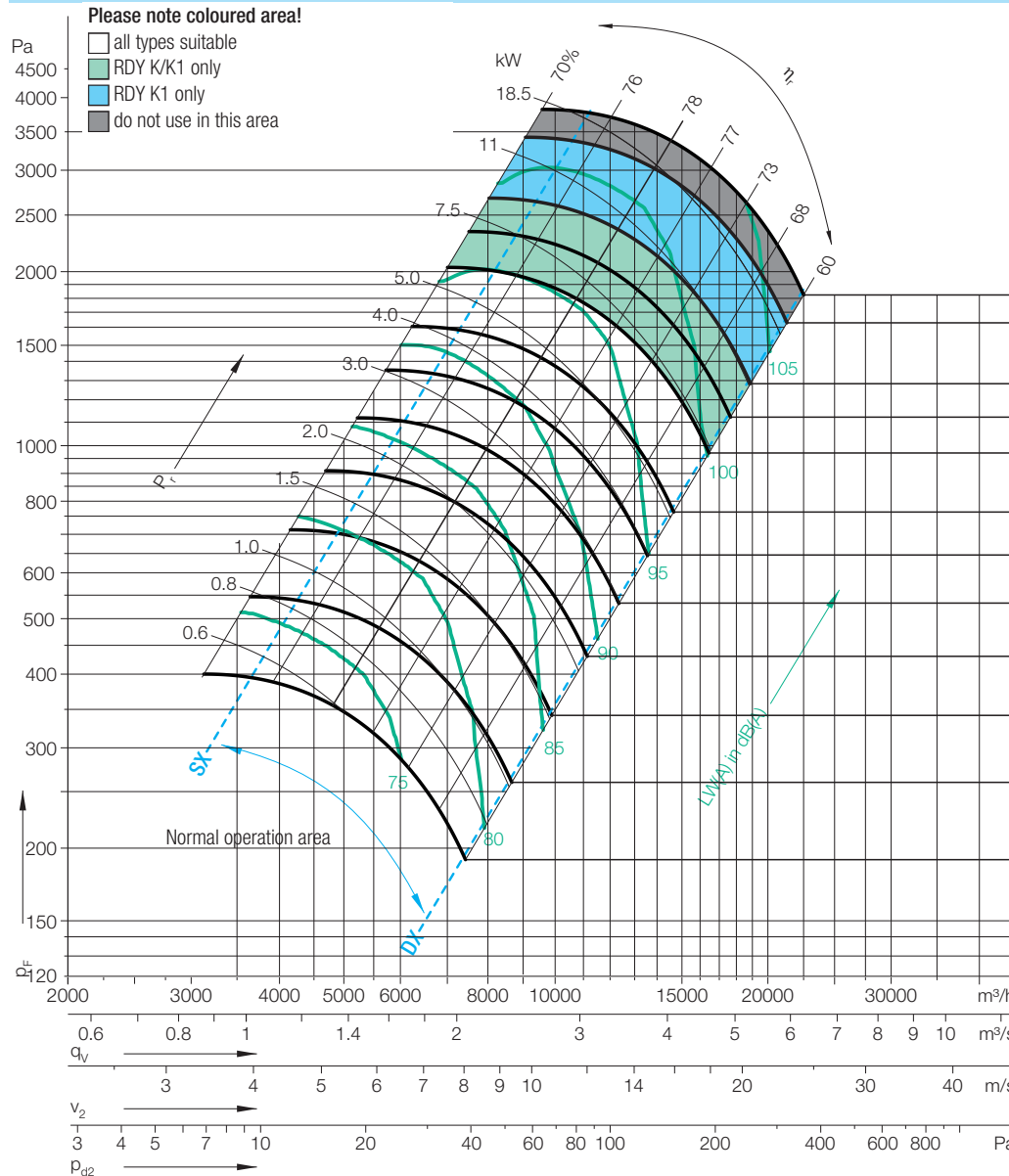
Impeller diameter	D_r	402 mm
Number of blades	z	11
Moment of Inertia	J	0,330 kgm ²

Impeller Data

Impeller weight	m	12,7 kg
Density of media	ρ_1	1,2 kg/m ³
Tolerance class (DIN 24166)		1

FEG 85

Performance Curves

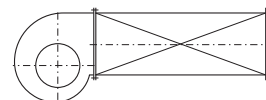


AMCA WORLDWIDE CERTIFIED RATING
SOUND AIR PERFORMANCE
FEG 85
 Nicotra Gebhardt (Guangzhou) Co.Ltd. certifies that the RDY series shown herein is licensed to bear the AMCA Seal. The ratings shown are based on tests and procedures performed in accordance with AMCA publication 211 and AMCA publication 311 and comply with the requirements of the AMCA Certified Ratings Program.

1/min	W	W	W	W
3700	56	56	65	229
3500	53	53	60	217
3100	47	47	53	192
2900	44	44	49	180
2700	41	41	46	167
2400	36	36	41	149
2200	33	33	37	136
2000	30	30	34	124
1800	27	27	31	112
1600	24	24	27	99
1400	21	21	24	87
1200	18	18	20	74

N RDY L RDY R RDY K RDY K1 P_b

Measured in installation B according to ISO 5801:



Performance certified is for installation type B - free inlet, ducted outlet.
 Performance ratings do not include the effects of appurtenances (accessories); power rating (kW) does not include transmission losses.
 The A-weighted sound power ratings shown have been calculated per AMCA International Standard 301.
 Values shown are for inlet LWi (A) sound power levels for installation type B: free inlet, ducted outlet.

Technical Data

Impeller Data

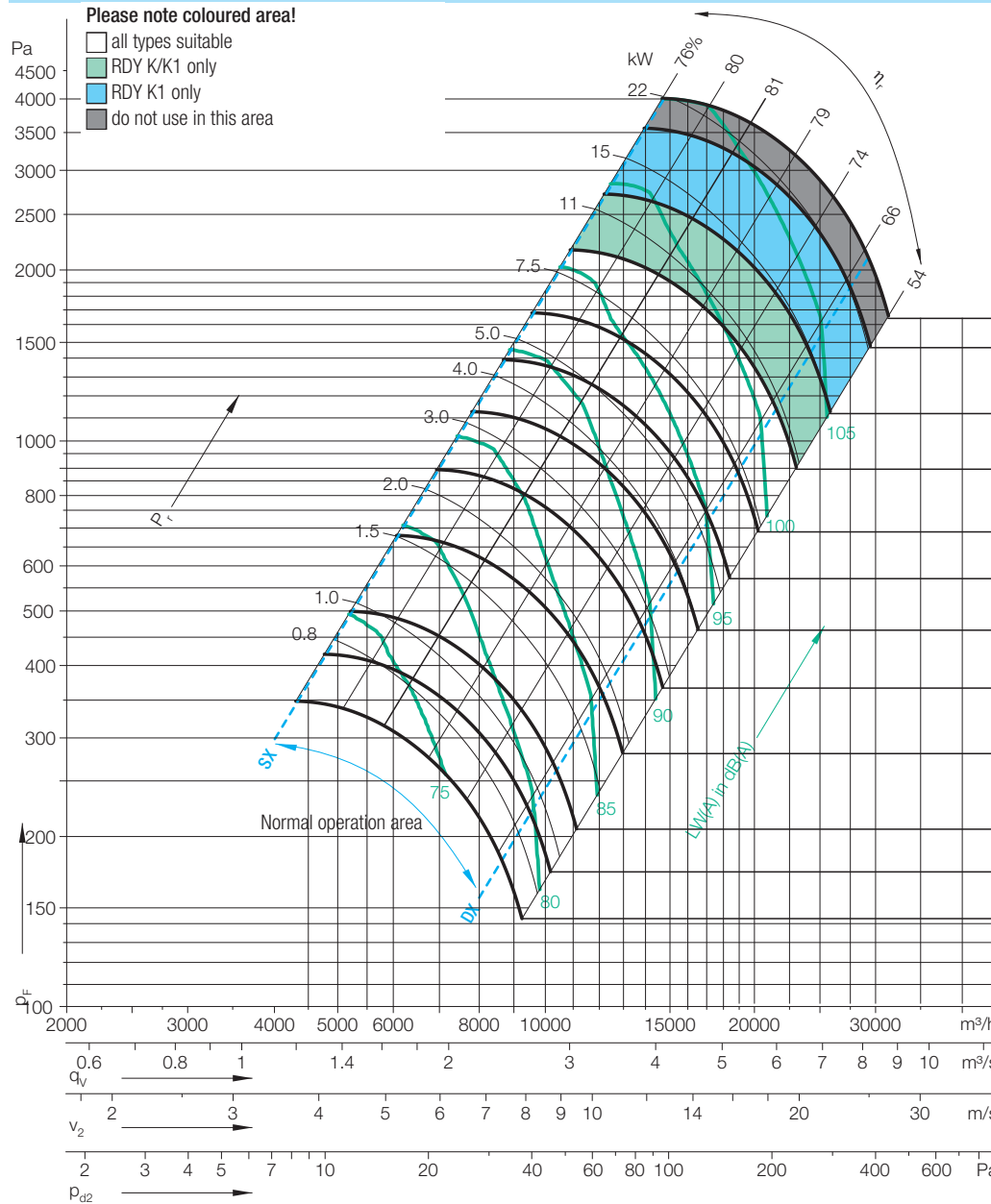
Impeller diameter	D_r	452 mm
Number of blades	z	11
Moment of Inertia	J	0,520 kgm ²

Impeller Data

Impeller weight	m	17,6 kg
Density of media	ρ_1	1,2 kg/m ³
Tolerance class (DIN 24166)		1

FEG 90

Performance Curves

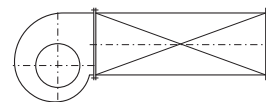


AMCA
WORLDWIDE
CERTIFIED
RATING

SOUND
IN
AIR
PERFORMANCE
FEG

Nicotra Gebhardt (Guangzhou) Co.Ltd. certifies that the RDY series shown herein is licensed to bear the AMCA Seal. The ratings shown are based on tests and procedures performed in accordance with AMCA publication 211 and AMCA publication 311 and comply with the requirements of the AMCA Certified Ratings Program.

Measured in installation B according to ISO 5801:



Performance certified is for installation type B - free inlet, ducted outlet.
 Performance ratings do not include the effects of appurtenances (accessories); power rating (kW) does not include transmission losses.
 The A-weighted sound power ratings shown have been calculated per AMCA International Standard 301.
 Values shown are for inlet LWi (A) sound power levels for installation type B: free inlet, ducted outlet.

Technical Data

Impeller Data

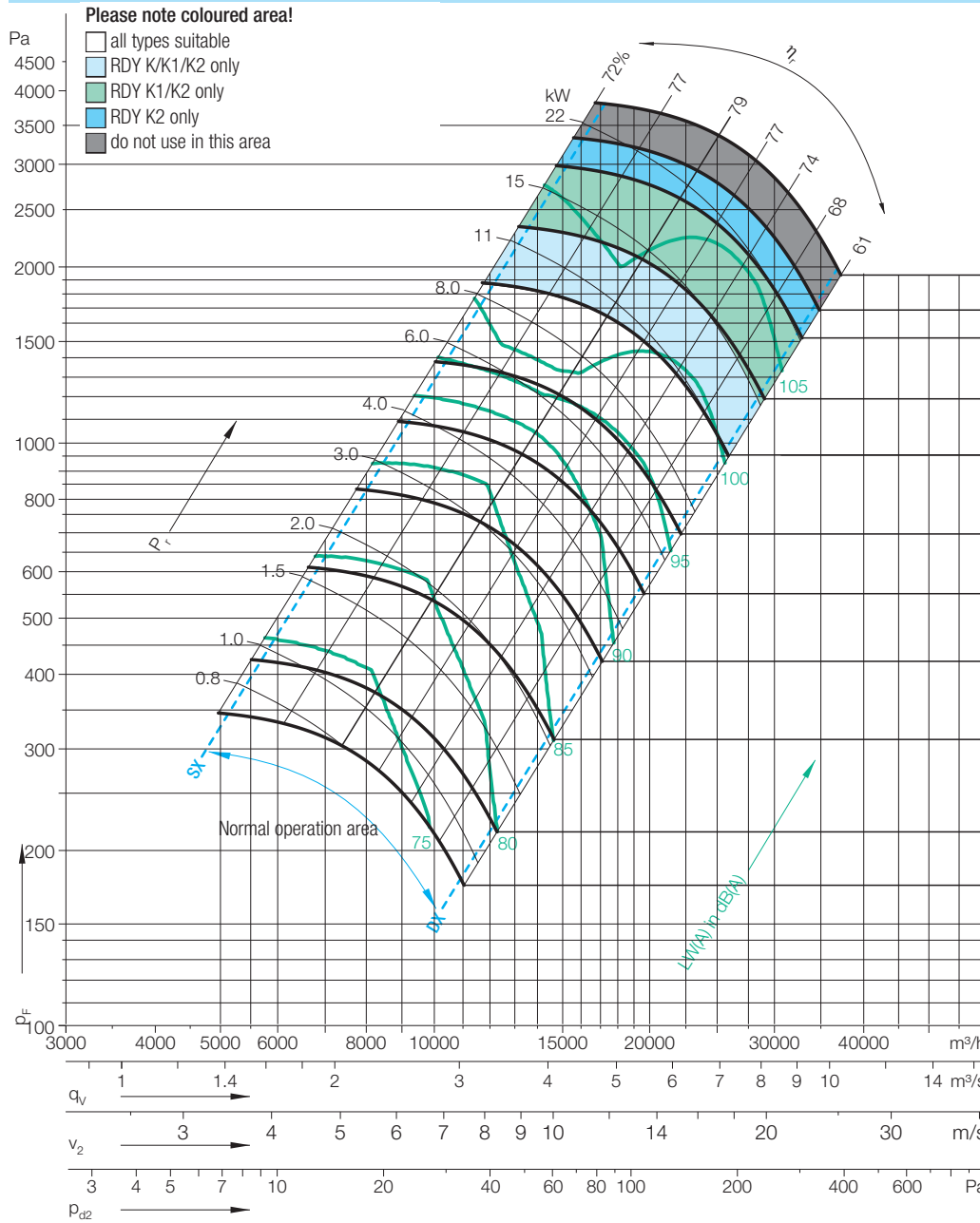
Impeller diameter	D_r	502 mm
Number of blades	z	11
Moment of Inertia	J	0,890 kgm ²

Impeller Data

Impeller weight	m	23,5 kg
Density of media	ρ_1	1,2 kg/m ³
Tolerance class (DIN 24166)		1

FEG 85

Performance Curves



AMCA
 WORLDWIDE
 CERTIFIED
 RATING

SOUND
 AIR
 PERFORMANCE

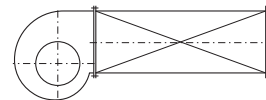
FEG
 85

Nicotra Gebhardt (Guangzhou) Co.Ltd. certifies that the RDY series shown herein is licensed to bear the AMCA Seal. The ratings shown are based on tests and procedures performed in accordance with AMCA publication 211 and AMCA publication 311 and comply with the requirements of the AMCA Certified Ratings Program.

1/min	W	W	W	W
3000	51	63	240	375
2800	48	59	224	350
2650	45	56	212	331
2350	40	49	188	294
2100	36	44	168	263
1800	31	38	144	225
1600	27	34	128	200
1400	24	29	112	175
1200	20	25	96	150
1000	17	21	80	125
900	15	19	72	113

↑ Z RDY L/R RDY K RDY K1 RDY K2 P_b

Measured in installation B according to ISO 5801:



Performance certified is for installation type B - free inlet, ducted outlet.
 Performance ratings do not include the effects of appurtenances (accessories); power rating (kW) does not include transmission losses.
 The A-weighted sound power ratings shown have been calculated per AMCA International Standard 301.
 Values shown are for inlet LWi (A) sound power levels for installation type B: free inlet, ducted outlet.

Technical Data

Impeller Data

Impeller diameter	D_r	562 mm
Number of blades	z	11
Moment of Inertia	J	1,410 kgm ²

Impeller Data

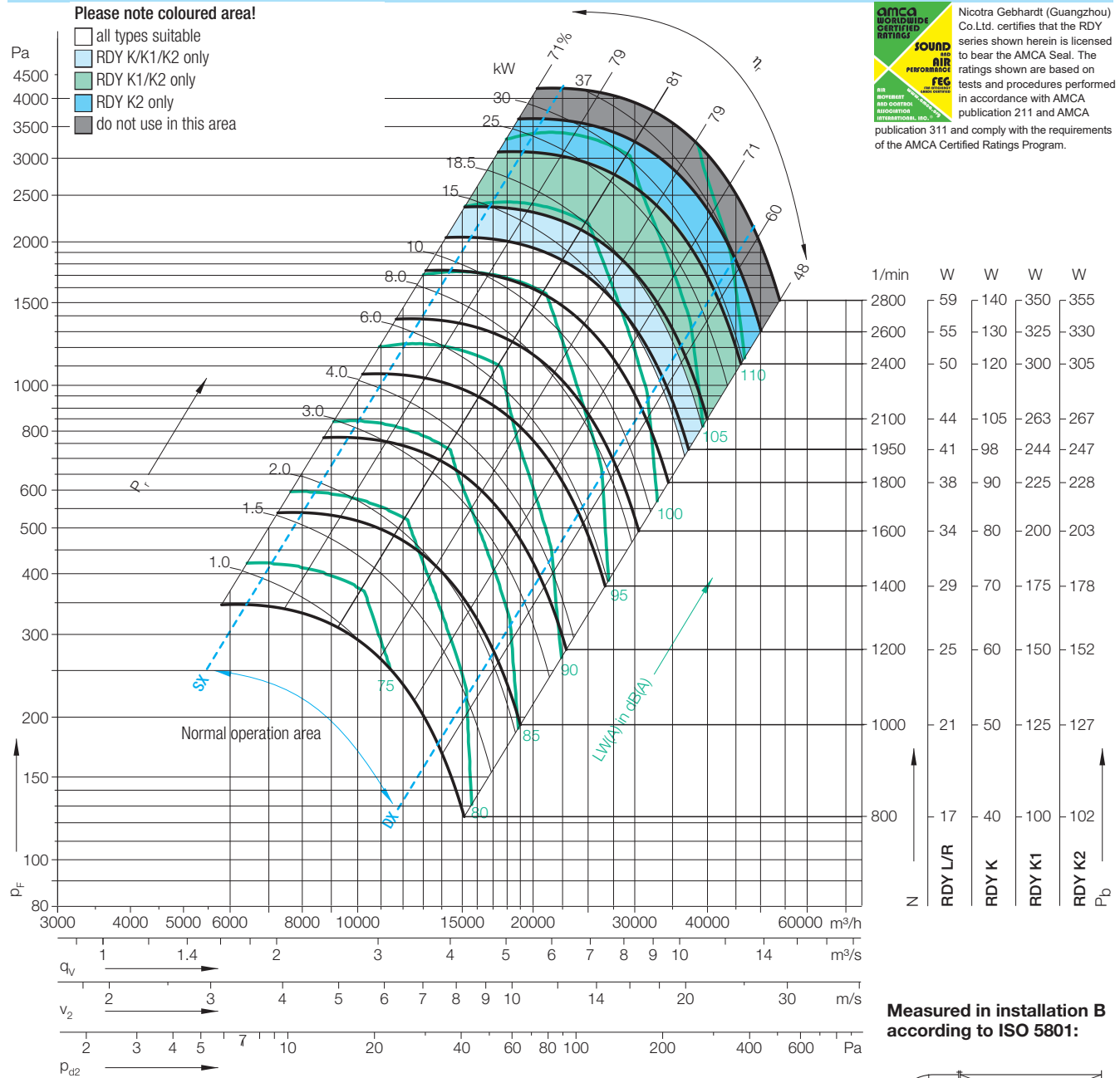
Impeller weight	m	28,8 kg
Density of media	ρ_1	1,2 kg/m ³
Tolerance class (DIN 24166)		1

FEG 85

Performance Curves

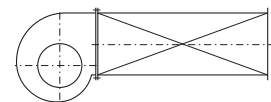
Please note coloured area!

- all types suitable
- RDY K/K1/K2 only
- RDY K1/K2 only
- RDY K2 only
- do not use in this area



AMCA WORLDWIDE CERTIFIED RATING
SOUND AND AIR PERFORMANCE
 FEG 85
 Nicotra Gebhardt (Guangzhou) Co.Ltd. certifies that the RDY series shown herein is licensed to bear the AMCA Seal. The ratings shown are based on tests and procedures performed in accordance with AMCA publication 211 and AMCA publication 311 and comply with the requirements of the AMCA Certified Ratings Program.

Measured in installation B according to ISO 5801:



Performance certified is for installation type B - free inlet, ducted outlet.
 Performance ratings do not include the effects of appurtenances (accessories); power rating (kW) does not include transmission losses.
 The A-weighted sound power ratings shown have been calculated per AMCA International Standard 301.
 Values shown are for inlet LWi (A) sound power levels for installation type B: free inlet, ducted outlet.

Technical Data

Impeller Data

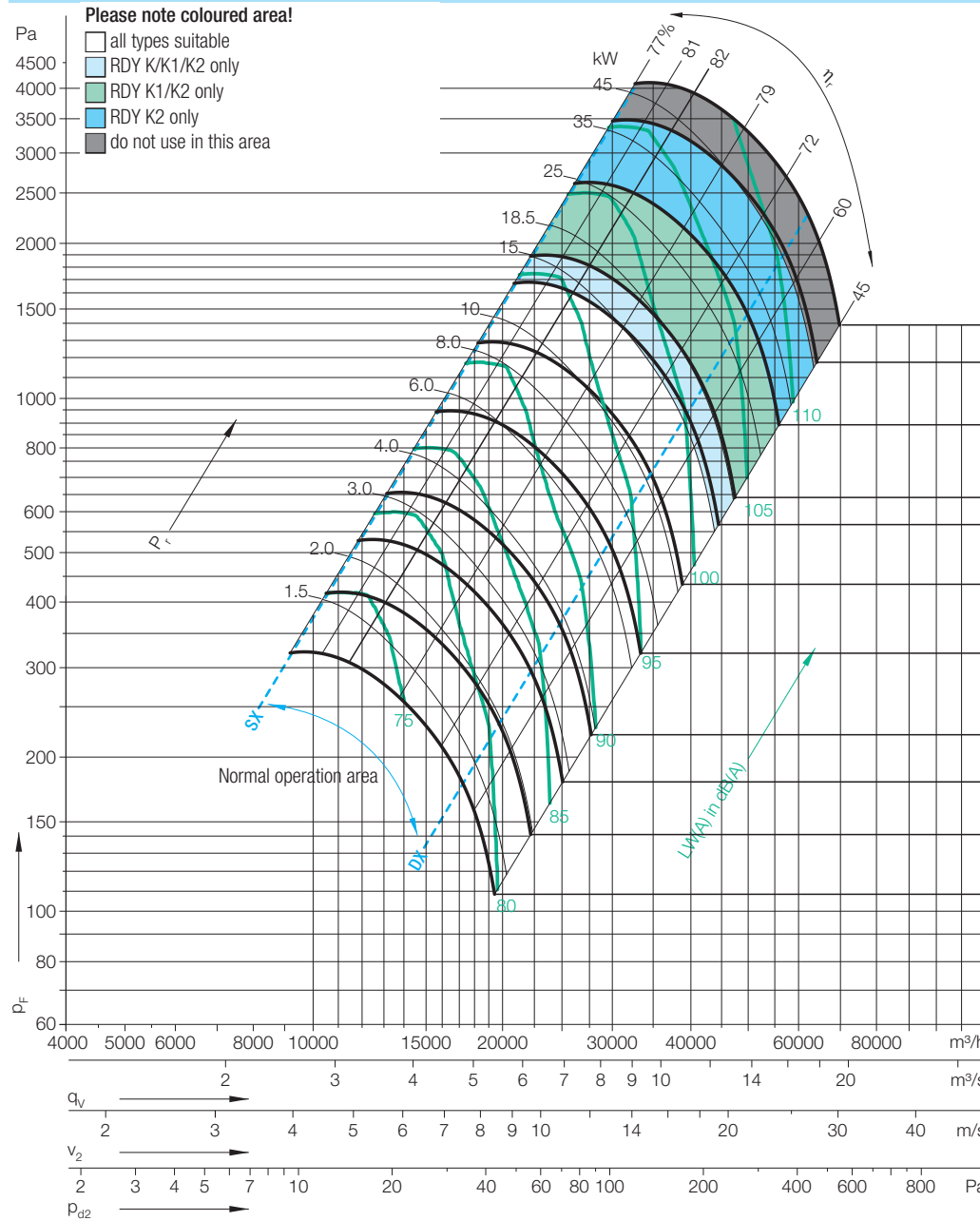
Impeller diameter	D_r	632	mm
Number of blades	z	11	
Moment of Inertia	J	2,320	kgm ²

Impeller Data

Impeller weight	m	36,7	kg
Density of media	ρ_1	1,2	kg/m ³
Tolerance class (DIN 24166)		1	

FEG 85

Performance Curves



AMCA
 WORLDWIDE
 CERTIFIED
 RATINGS

SOUND
 AND
 AIR
 PERFORMANCE

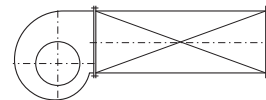
FEG
 85

Nicotra Gebhardt (Guangzhou) Co.Ltd. certifies that the RDY series shown herein is licensed to bear the AMCA Seal. The ratings shown are based on tests and procedures performed in accordance with AMCA publication 211 and AMCA publication 311 and comply with the requirements of the AMCA Certified Ratings Program.

1/min	W	W	W	W
2500	52	125	313	317
2300	48	115	288	292
2000	42	100	250	254
1700	36	85	213	216
1600	34	80	200	203
1400	29	70	175	178
1200	25	60	150	152
1000	21	50	125	127
900	19	45	113	114
800	17	40	100	102
700	15	35	88	89

↑ Z RDY R RDY K RDY K1 RDY K2 Pd

Measured in installation B according to ISO 5801:



RDY _-0710

Performance certified is for installation type B - free inlet, ducted outlet.
 Performance ratings do not include the effects of appurtenances (accessories); power rating (kW) does not include transmission losses.
 The A-weighted sound power ratings shown have been calculated per AMCA International Standard 301.
 Values shown are for inlet LWi (A) sound power levels for installation type B: free inlet, ducted outlet.

Technical Data

Impeller Data

Impeller diameter	D_r	712 mm
Number of blades	z	11
Moment of Inertia	J	4,940 kgm ²

Impeller Data

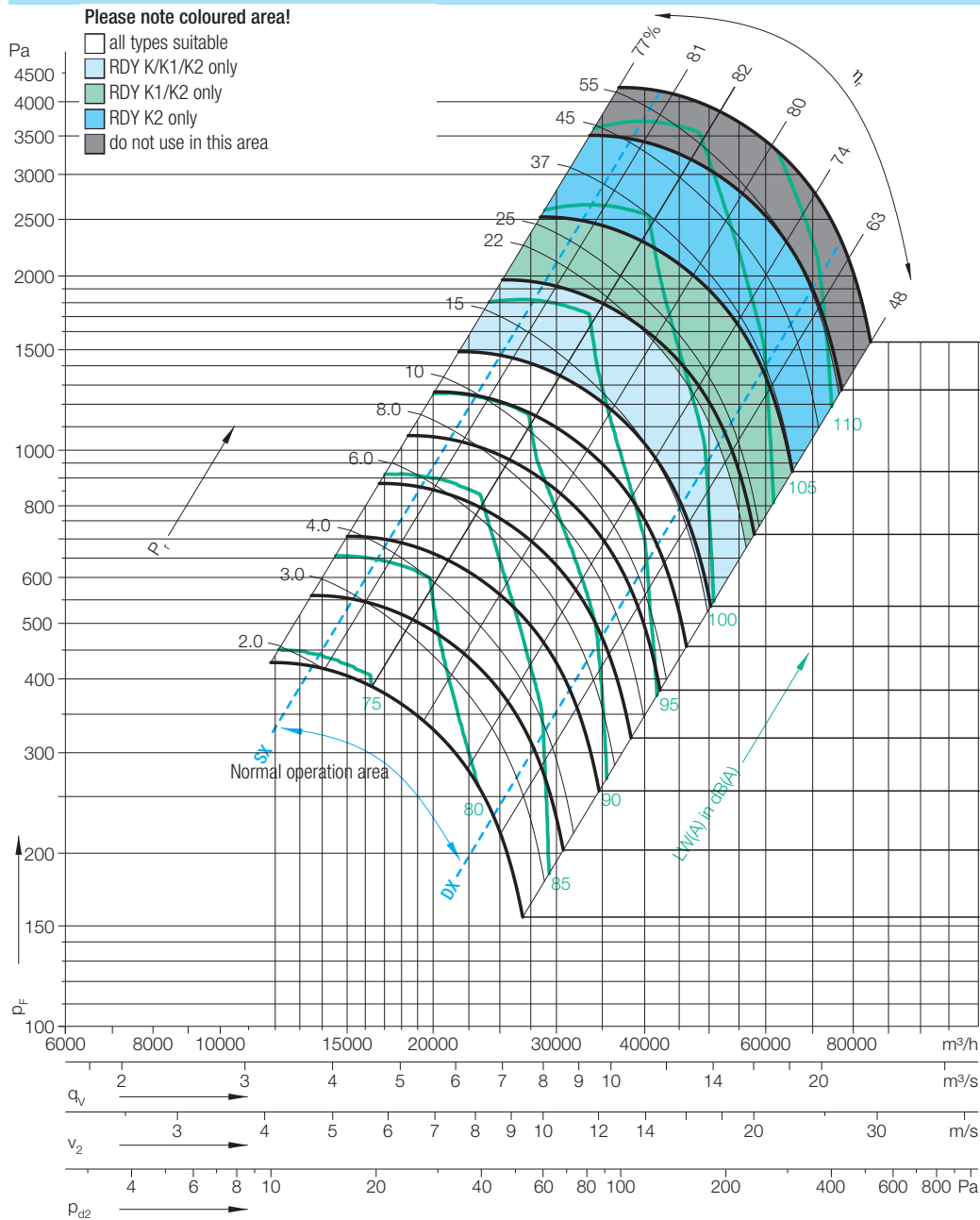
Impeller weight	m	60 kg
Density of media	ρ_1	1,2 kg/m ³
Tolerance class (DIN 24166)		1

FEG 85

Performance Curves

Please note coloured area!

- all types suitable
- RDY K/K1/K2 only
- RDY K1/K2 only
- RDY K2 only
- do not use in this area

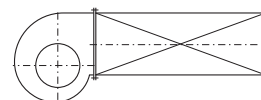


AMCA WORLDWIDE CERTIFIED RATINGS
SOUND AIR PERFORMANCE
FEG 85

Nicotra Gebhardt (Guangzhou) Co.Ltd. certifies that the RDY series shown herein is licensed to bear the AMCA Seal. The ratings shown are based on tests and procedures performed in accordance with AMCA publication 211 and AMCA publication 311 and comply with the requirements of the AMCA Certified Ratings Program.

1/min	W	W	W	W
2200	110	110	372	129
2000	100	100	338	117
1700	85	85	287	100
1500	75	75	254	88
1300	65	65	220	76
1200	60	60	203	70
1100	55	55	186	64
1000	50	50	169	59
900	45	45	152	53
800	40	40	135	47
700	35	35	118	41

Measured in installation B according to ISO 5801:



Performance certified is for installation type B - free inlet, ducted outlet.
 Performance ratings do not include the effects of appurtenances (accessories); power rating (kW) does not include transmission losses.
 The A-weighted sound power ratings shown have been calculated per AMCA International Standard 301.
 Values shown are for inlet LWi (A) sound power levels for installation type B: free inlet, ducted outlet.

Technical Data

Impeller Data

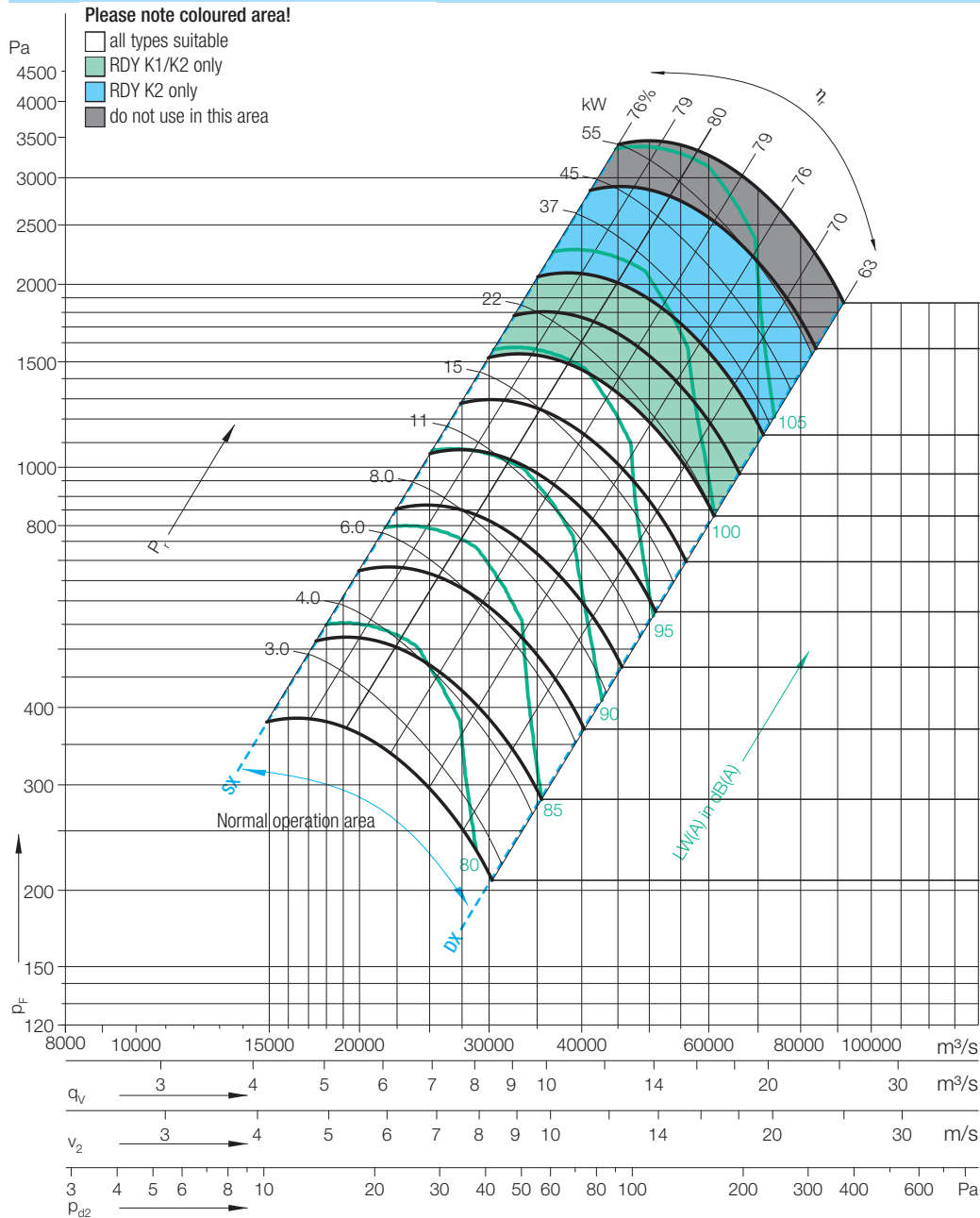
Impeller diameter	D_r	802 mm
Number of blades	z	11
Moment of Inertia	J	8,250 kgm ²

Impeller Data

Impeller weight	m	86 kg
Density of media	ρ_1	1,2 kg/m ³
Tolerance class (DIN 24166)		1

FEG 85

Performance Curves



AMCA WORLDWIDE CERTIFIED RATINGS
SOUND AIR PERFORMANCE
FEG 85

Nicotra Gebhardt (Guangzhou) Co.Ltd. certifies that the RDY series shown herein is licensed to bear the AMCA Seal. The ratings shown are based on tests and procedures performed in accordance with AMCA publication 211 and AMCA publication 311 and comply with the requirements of the AMCA Certified Ratings Program.

Performance certified is for installation type B - free inlet, ducted outlet.
 Performance ratings do not include the effects of appurtenances (accessories); power rating (kW) does not include transmission losses.
 The A-weighted sound power ratings shown have been calculated per AMCA International Standard 301.
 Values shown are for inlet LWi (A) sound power levels for installation type B: free inlet, ducted outlet.

Technical Data

Impeller Data

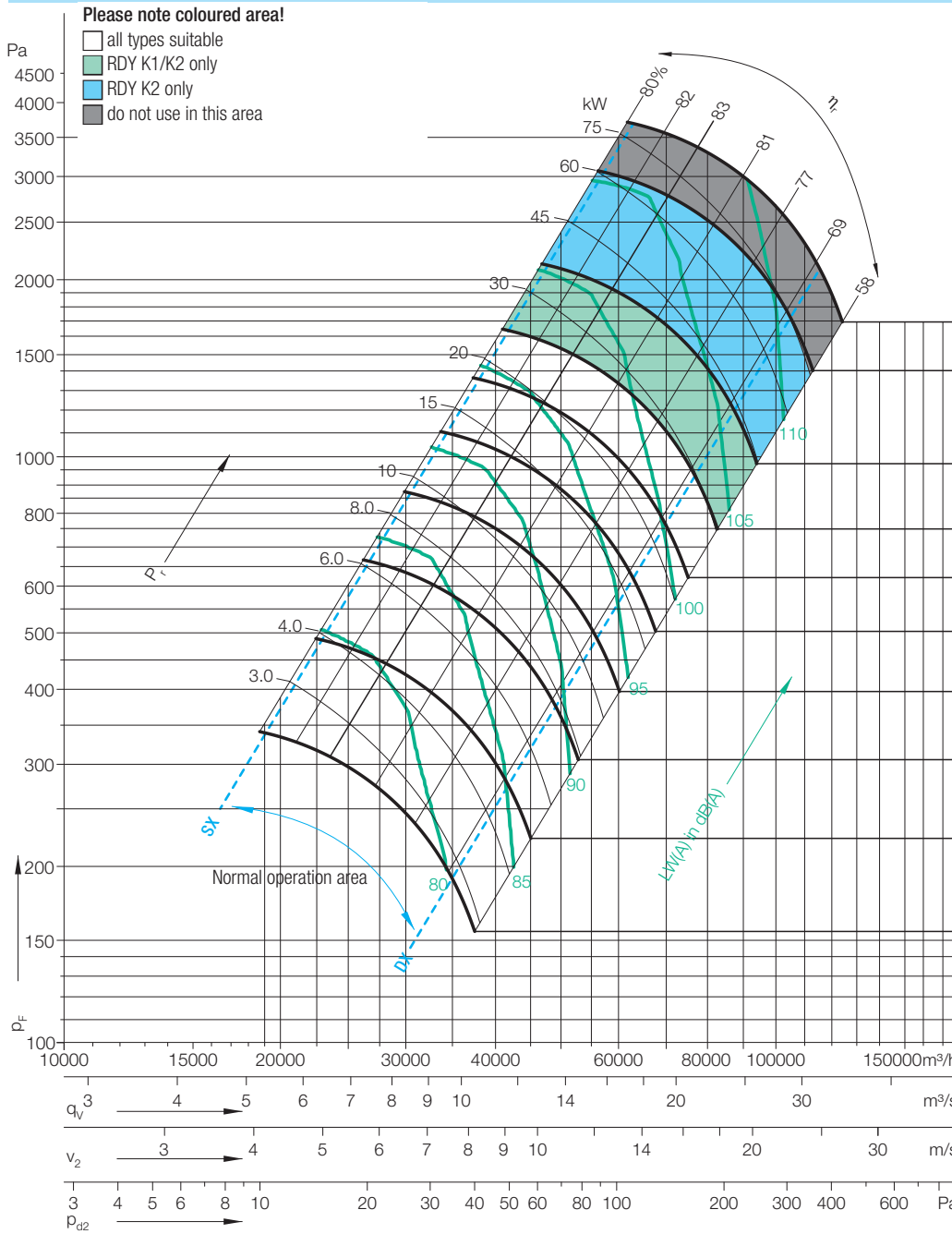
Impeller diameter	D_r	902 mm
Number of blades	z	11
Moment of Inertia	J	12,80 kgm ²

Impeller Data

Impeller weight	m	102 kg
Density of media	ρ_1	1,2 kg/m ³
Tolerance class (DIN 24166)		1

FEG 85

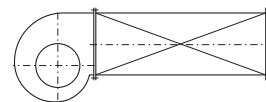
Performance Curves



AMCA WORLDWIDE CERTIFIED RATING
SOUND AIR PERFORMANCE
FEG 85

Nicotra Gebhardt (Guangzhou) Co.Ltd. certifies that the RDY series shown herein is licensed to bear the AMCA Seal. The ratings shown are based on tests and procedures performed in accordance with AMCA publication 211 and AMCA publication 311 and comply with the requirements of the AMCA Certified Ratings Program.

Measured in installation B according to ISO 5801:



Performance certified is for installation type B - free inlet, ducted outlet.
Performance ratings do not include the effects of appurtenances (accessories); power rating (kW) does not include transmission losses.
The A-weighted sound power ratings shown have been calculated per AMCA International Standard 301.
Values shown are for inlet LWi (A) sound power levels for installation type B: free inlet, ducted outlet.

Technical Data

Impeller Data

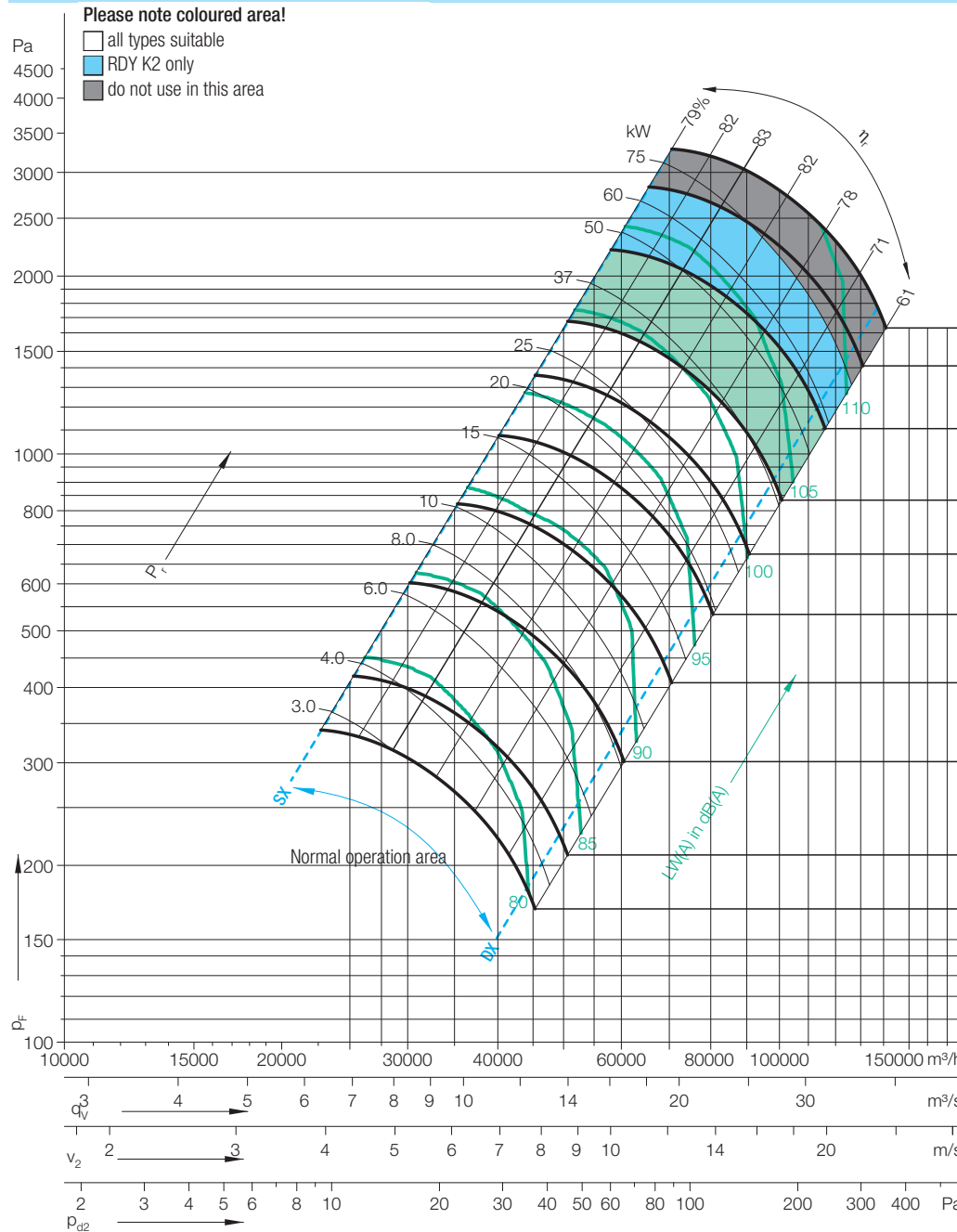
Impeller diameter	D_r	1002	mm
Number of blades	z	11	
Moment of Inertia	J	24,80	kgm ²

Impeller Data

Impeller weight	m	146	kg
Density of media	ρ_1	1,2	kg/m ³
Tolerance class (DIN 24166)		1	

FEG 85

Performance Curves



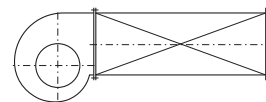
AMCA WORLDWIDE CERTIFIED RATING
SOUND AIR PERFORMANCE
FEG 85

Nicotra Gebhardt (Guangzhou) Co.Ltd. certifies that the RDY series shown herein is licensed to bear the AMCA Seal. The ratings shown are based on tests and procedures performed in accordance with AMCA publication 211 and AMCA publication 311 and comply with the requirements of the AMCA Certified Ratings Program.

1/min	W	W	W
1400	100	236	73
1300	92	220	68
1150	82	194	60
1000	71	169	52
900	64	152	47
800	57	135	42
700	50	118	36
600	43	101	31
500	36	84	26
450	32	76	23

↑ RDY K RDY K1 RDY K2 ↑ P_b

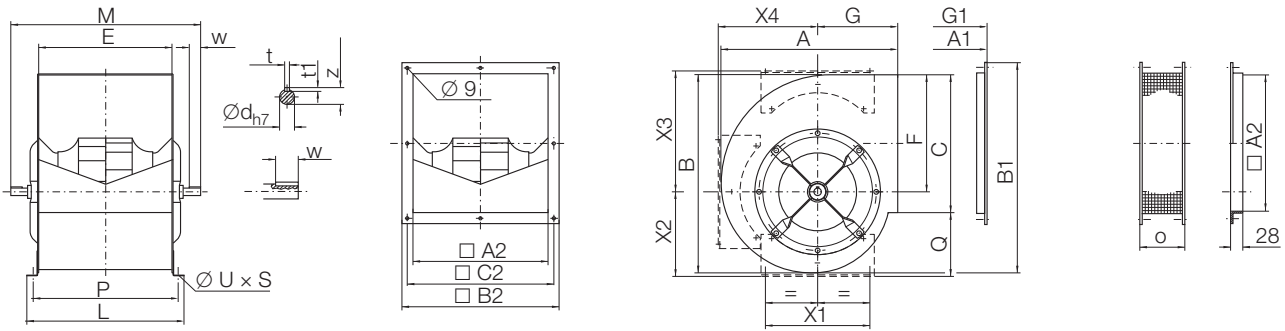
Measured in installation B according to ISO 5801:



RDY L-0180/-0560

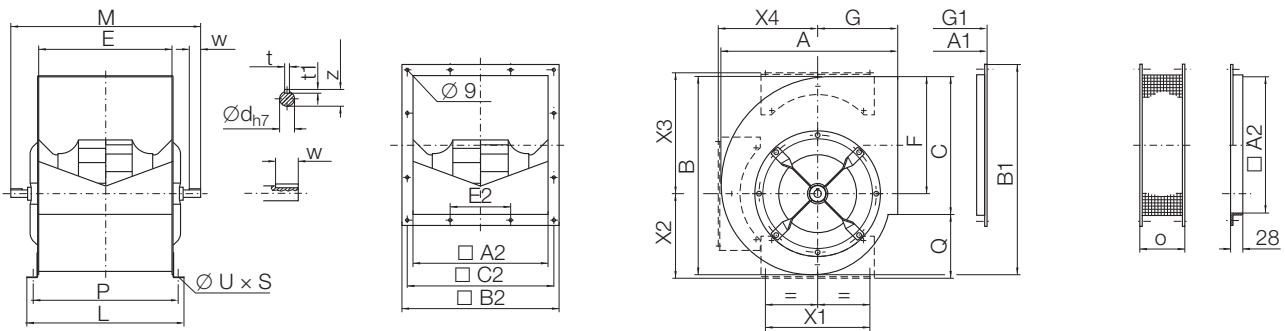
Dimensions in mm, subject to change without prior notice.

RDY L-0180/-0355



RDY	A	A1	A2	B	B1	B2	C	C2	E	F	G	G1	L	M	O	P	Q	X1	X2	X3	X4	t	t1	w	z	Ød	U x S
0180	310	313	229	326	354	285	229	259	229	193	152	155	289	370	156	259	128	180	164	224	164	6	6	30	22,5	20	11x16
0200	343	346	256	364	392	312	256	286	256	215	164	167	316	420	156	286	140	224	181	245	184	6	6	30	22,5	20	11x16
0225	381	384	288	409	437	344	288	318	288	243	180	183	348	450	156	318	152	224	197	274	204	6	6	30	22,5	20	11x16
0250	417	420	322	453	481	378	322	352	322	270	195	198	382	485	156	352	158	224	210	299	227	6	6	30	22,5	20	11x16
0280	464	467	361	508	536	417	361	391	361	302	215	218	421	555	156	391	177	280	236	331	255	8	7	40	28	25	11x16
0315	516	519	404	572	600	460	404	434	404	340	236	239	464	600	156	434	197	280	261	370	283	8	7	40	28	25	11x16
0355	576	579	453	645	673	509	453	483	453	383	261	264	533	675	156	493	204	355	274	411	320	8	7	40	33	30	11x16

RDY L-0400/-0560

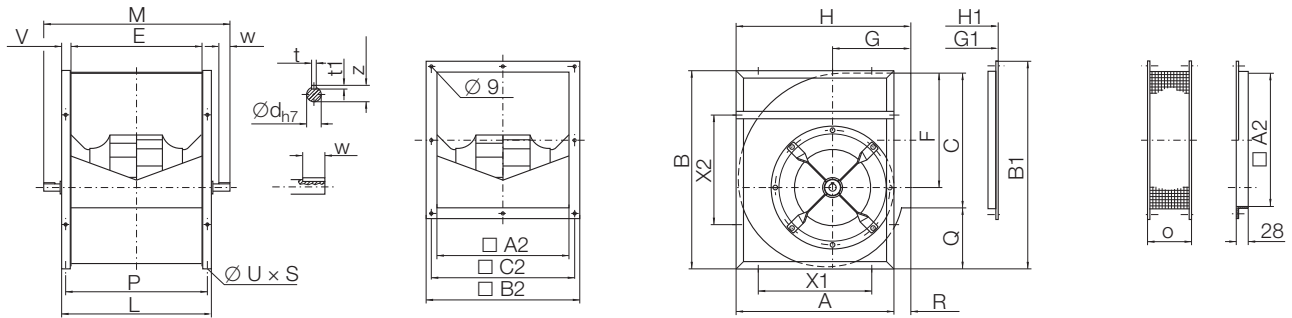


RDY	A	A1	A2	B	B1	B2	C	C2	E	E2	F	G	G1	L	M	O	P	Q	X1	X2	X3	X4	t	t1	w	z	Ød	U x S
0400	645	648	507	725	753	563	507	537	507	200	432	290	293	587	725	156	547	227	355	302	462	359	8	7	40	33	30	11x16
0450	722	725	569	817	845	625	569	599	569	200	486	322	325	665	815	156	619	253	530	336	518	407	10	8	50	38	35	13x18
0500	795	798	638	906	934	694	638	668	638	250	538	352	355	734	885	156	688	275	530	375	568	448	10	8	50	38	35	13x18
0560	886	889	715	1016	1044	771	715	745	715	250	603	390	393	811	1000	156	765	304	530	416	634	502	12	8	70	43	40	13x18

RDY R-0180/-0710

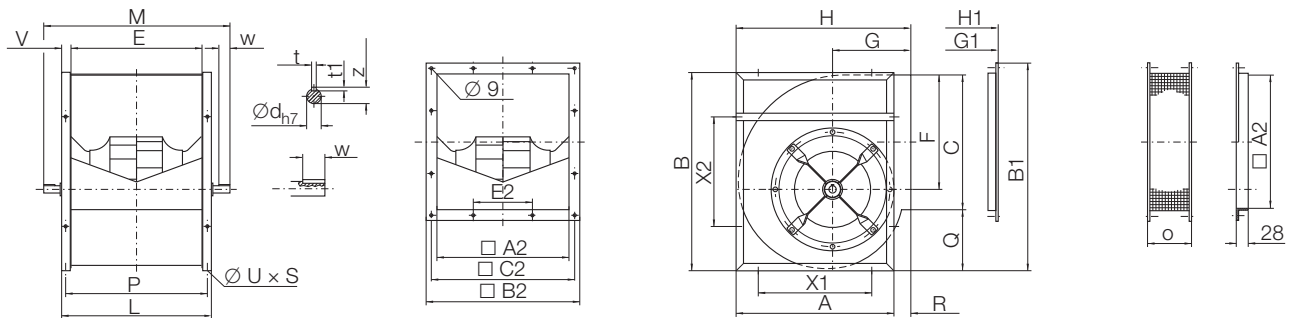
Dimensions in mm, subject to change without prior notice.

RDY R-0180/-0355



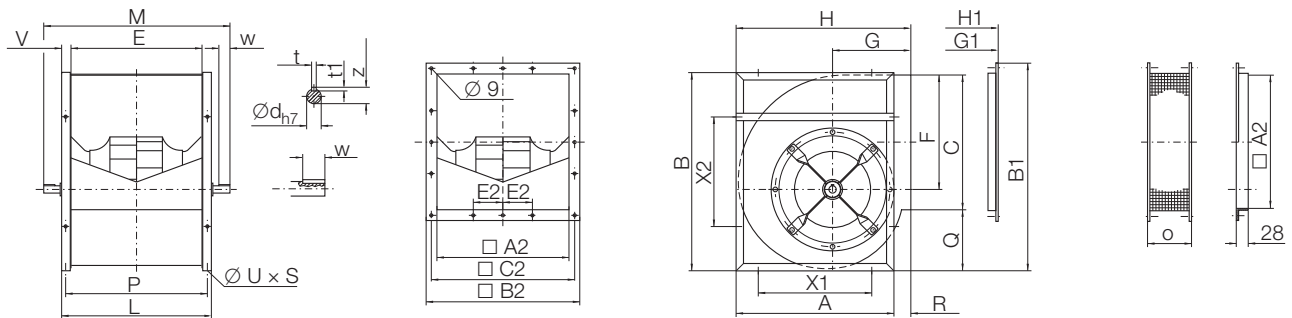
RDY	A	A2	B	B1	B2	C	C2	E	F	G	G1	H	H1	L	M	O	P	Q	R	V	X1	X2	t	t1	w	z	$\varnothing d$	UxS
0180	294	229	336	362	285	229	259	229	195	152	155	322	325	269	370	165	253	105	28	20	180	180	6	6	30	22,5	20	9x12
0200	306	256	370	394	312	256	286	256	215	164	167	343	346	306	420	165	286	110	37	25	224	224	6	6	30	22,5	20	11x16
0225	345	288	415	439	344	288	318	288	243	180	183	382	385	338	450	165	318	123	37	25	224	224	6	6	30	22,5	20	11x16
0250	381	322	461	485	378	322	352	322	270	195	198	419	422	372	485	165	352	135	38	25	224	224	6	6	30	22,5	20	11x16
0280	429	361	518	541	417	361	391	361	302	215	218	466	469	421	555	165	391	152	37	30	280	280	8	7	40	28	25	13x18
0315	480	404	578	602	460	404	434	404	340	236	239	518	521	464	600	165	434	170	38	30	280	280	8	7	40	28	25	13x18
0355	544	453	655	677	509	453	483	453	383	261	264	578	581	533	675	165	493	196	34	40	355	355	8	7	40	33	30	13x18

RDY R-0400/-0630



RDY	A	A2	B	B1	B2	C	C2	E	E2	F	G	G1	H	H1	L	M	O	P	Q	R	V	X1	X2	t	t1	w	z	$\varnothing d$	UxS
0400	609	507	736	759	563	507	537	507	200	432	290	293	649	652	587	725	165	547	224	40	40	355	355	8	7	40	33	30	13x18
0450	679	569	827	849	625	569	599	569	200	486	322	325	726	729	649	815	165	619	252	46	40	530	530	10	8	50	38	35	13x18
0500	748	638	918	940	694	638	668	638	250	538	352	355	800	803	718	885	165	688	274	51	40	530	530	10	8	50	38	35	13x18
0560	830	715	1030	1050	771	715	745	715	250	603	390	393	891	894	815	1000	165	765	307	50	50	530	530	12	8	70	43	40	13x18
0630	940	801	1157	1178	857	801	831	801	300	679	434	437	996	999	901	1085	165	851	349	56	50	530	530	12	8	70	43	40	13x18

RDY R-0710

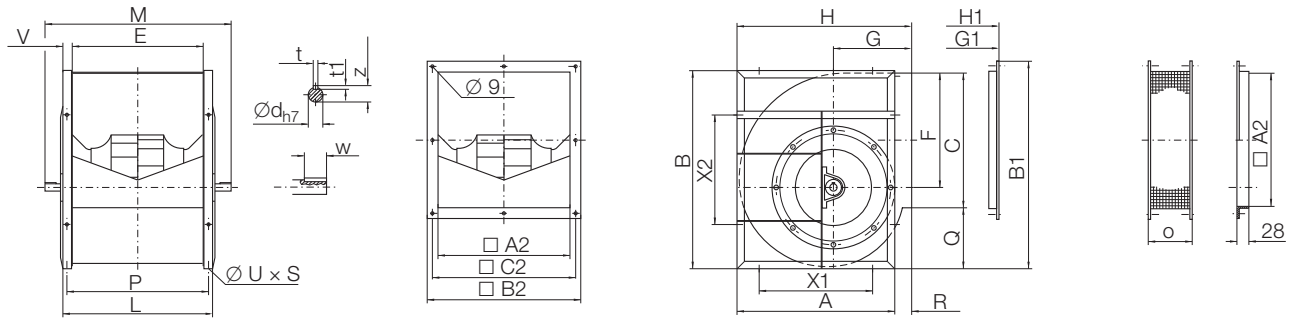


RDY	A	A2	B	B1	B2	C	C2	E	E2	F	G	G1	H	H1	L	M	O	P	Q	R	V	X1	X2	t	t1	w	z	$\varnothing d$	UxS
0710	1050	898	1303	1324	954	898	928	898	200	765	485	488	1117	1120	998	1255	165	948	398	67	50	630	630	14	9	90	53,5	50	17x22

RDY K-0200/-1000

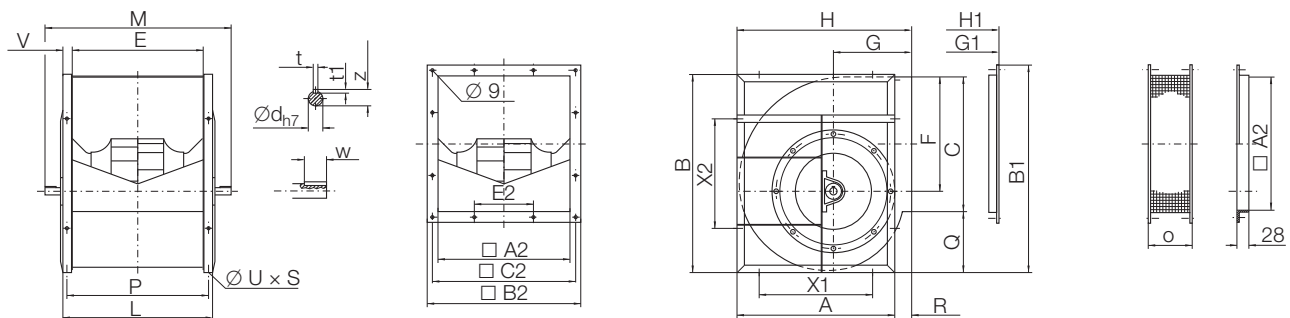
Dimensions in mm, subject to change without prior notice.

RDY K-0200/-0355



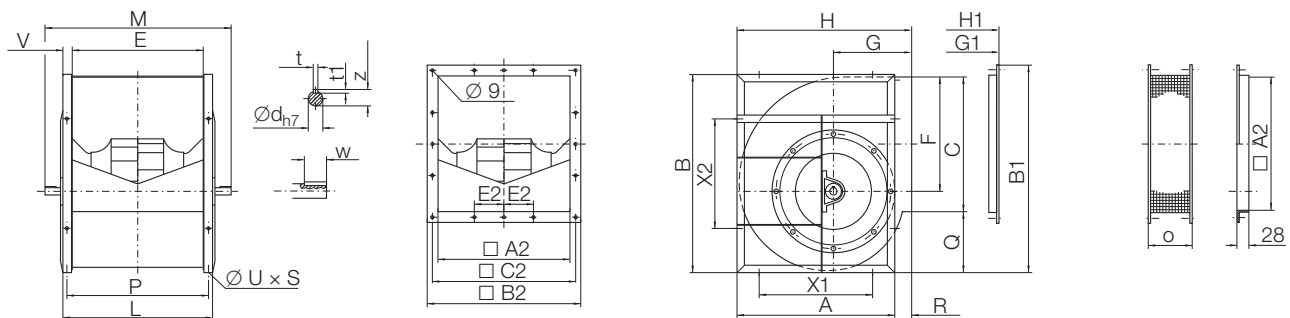
RDY	A	A2	B	B1	B2	C	C2	E	F	G	G1	H	H1	L	M	O	P	Q	R	V	X1	X2	t	t1	w	z	Ød	UxS
0200	306	256	370	394	312	256	286	256	215	164	167	343	346	306	420	165	286	110	37	25	224	224	6	6	30	22,5	20	11x16
0225	345	288	415	439	344	288	318	288	243	180	183	382	385	338	450	165	318	123	37	25	224	224	6	6	30	22,5	20	11x16
0250	381	322	461	485	378	322	352	322	270	195	198	419	422	372	515	165	352	135	38	25	224	224	8	7	40	28	25	11x16
0280	429	361	518	541	417	361	391	361	302	215	218	466	469	421	580	165	391	152	37	30	280	280	8	7	40	33	30	13x18
0315	480	404	578	602	460	404	434	404	340	236	239	518	521	464	625	165	434	170	38	30	280	280	8	7	40	33	30	13x18
0355	544	453	655	677	509	453	483	451	383	261	264	578	581	531	685	165	493	196	34	40	355	355	10	8	50	38	35	13x18

RDY K-0400/-0630



RDY	A	A2	B	B1	B2	C	C2	E	E2	F	G	G1	H	H1	L	M	O	P	Q	R	V	X1	X2	t	t1	w	z	Ød	UxS
0400	613	507	736	759	563	507	537	507	200	432	290	293	651	654	587	750	165	547	224	38	40	355	355	10	8	50	38	35	13x18
0450	679	569	827	849	625	569	599	569	200	486	322	325	726	729	649	850	165	619	252	45	40	530	530	12	8	70	43	40	13x18
0500	748	638	918	940	694	638	668	638	250	538	352	355	800	803	718	920	165	688	274	50	40	530	530	12	8	70	43	40	13x18
0560	839	715	1030	1050	771	715	745	715	250	603	390	393	893	896	815	1070	165	765	307	54	50	530	530	14	9	90	53,5	50	13x18
0630	940	801	1157	1178	857	801	831	801	300	679	434	437	999	1002	901	1155	165	851	349	59	50	530	530	14	9	90	53,5	50	13x18

RDY K-0710/-1000

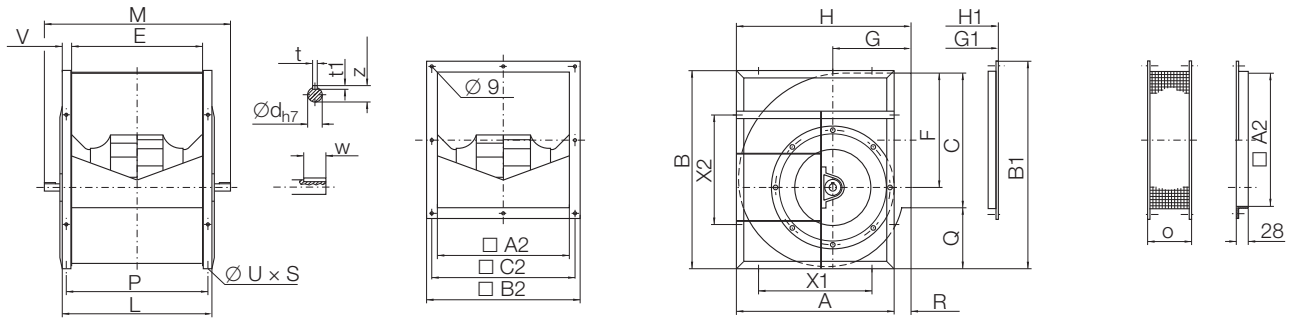


RDY	A	A2	B	B1	B2	C	C2	E	E2	F	G	G1	H	H1	L	M	O	P	Q	R	V	X1	X2	t	t1	w	z	Ød	UxS
0710	1050	898	1303	1324	954	898	928	898	200	765	485	488	1121	1124	998	1255	165	948	398	71	50	630	630	14	9	90	53,5	50	17x22
0800	1181	1007	1468	1488	1063	1007	1037	1007	250	862	540	543	1255	1258	1107	1360	165	1057	453	74	50	710	710	14	9	90	53,5	50	17x22
0900	1319	1130	1648	1668	1186	1130	1160	1130	300	971	604	607	1408	1411	1230	1520	165	1180	510	89	50	800	800	18	11	90	64	60	17x22
1000	1451	1267	1810	1828	1323	1267	1297	1267	350	1066	657	660	1541	1544	1367	1660	165	1217	533	90	50	900	900	18	11	90	64	60	17x22

RDY K1-0315/-0900

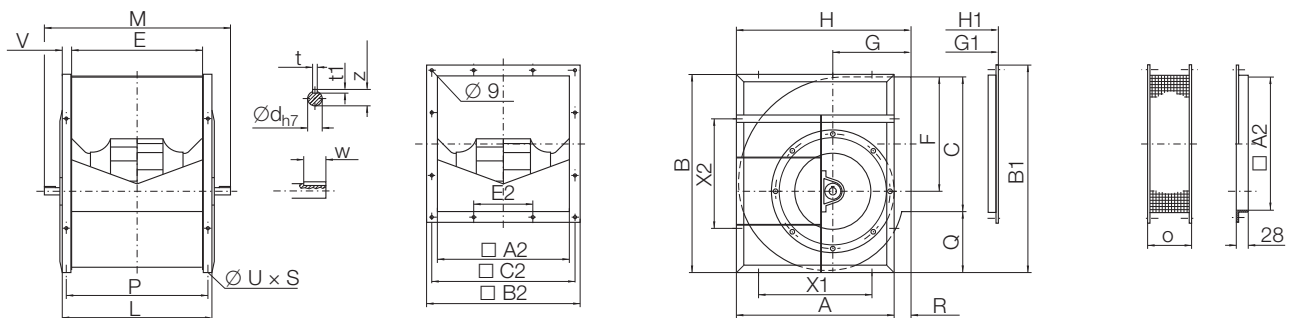
Dimensions in mm, subject to change without prior notice.

RDY K1-0315/-0355



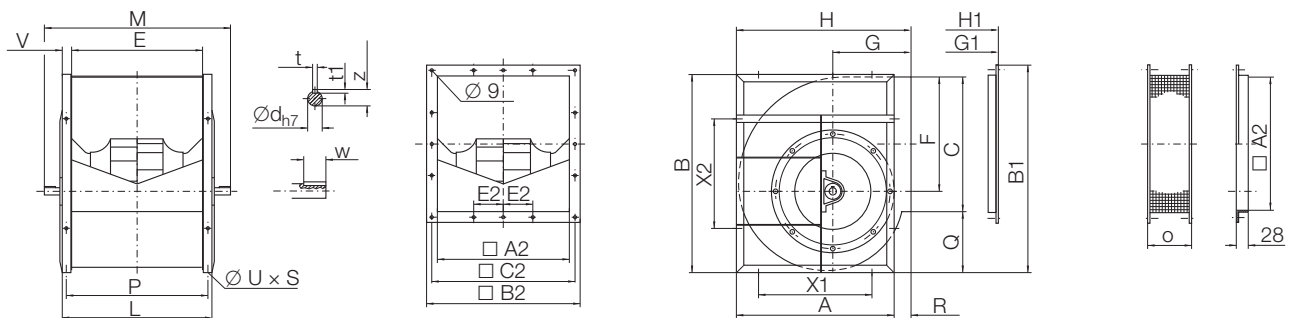
RDY	A	A2	B	B1	B2	C	C2	E	F	G	G1	H	H1	L	M	O	P	Q	R	V	X1	X2	t	t1	w	z	Ød	UxS
0315	480	404	578	603	460	404	434	404	340	236	239	518	521	464	625	165	434	171	38	30	280	280	8	7	40	33	30	13x18
0355	544	453	655	677	509	453	483	451	383	261	264	578	581	531	685	165	493	196	34	40	355	355	10	8	50	38	35	13x18

RDY K1-0400/-0630



RDY	A	A2	B	B1	B2	C	C2	E	E2	F	G	G1	H	H1	L	M	O	P	Q	R	V	X1	X2	t	t1	w	z	Ød	UxS
0400	613	507	736	759	563	507	537	507	200	432	290	293	651	654	587	750	165	547	224	38	40	355	355	10	8	50	38	35	13x18
0450	679	569	827	849	625	569	599	569	200	486	322	325	726	729	649	850	165	619	252	48	40	530	530	12	8	70	43	40	13x18
0500	748	638	918	940	694	638	668	638	250	538	352	355	800	803	718	920	165	688	274	53	40	530	530	12	8	70	43	40	13x18
0560	839	715	1030	1050	771	715	745	715	250	603	390	393	893	896	815	1070	165	765	307	54	50	530	530	14	9	90	53,5	50	13x18
0630	940	801	1157	1178	857	801	831	801	300	679	434	437	999	1002	901	1155	165	851	349	59	50	530	530	14	9	90	53,5	50	13x18

RDY K1-0710/-0900

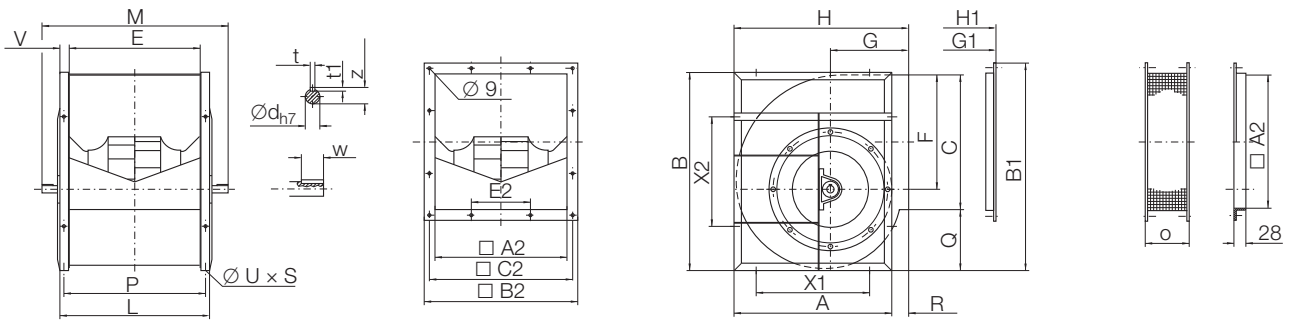


RDY	A	A2	B	B1	B2	C	C2	E	E2	F	G	G1	H	H1	L	M	O	P	Q	R	V	X1	X2	t	t1	w	z	Ød	UxS
0710	1050	898	1303	1324	954	898	928	898	200	765	485	488	1121	1124	998	1340	165	948	398	71	50	630	630	18	11	90	64	60	17x22
0800	1181	1007	1468	1488	1063	1007	1037	1007	250	862	540	543	1255	1258	1107	1450	165	1057	453	74	50	710	710	18	11	90	64	60	17x22
0900	1319	1130	1648	1668	1186	1130	1160	1130	300	971	604	607	1408	1411	1230	1520	165	1180	510	89	50	800	800	18	11	90	64	60	17x22

RDY K2-0500/-1000

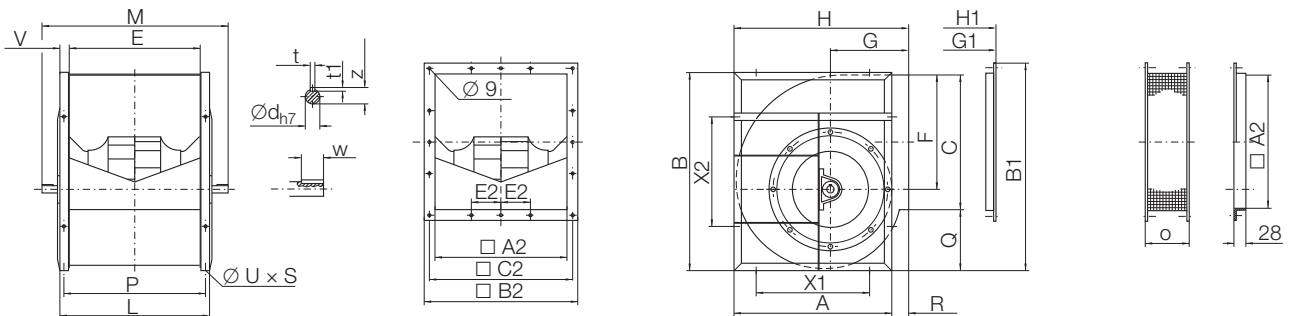
Dimensions in mm, subject to change without prior notice.

RDY K2-0500/-0630



RDY	A	A2	B	B1	B2	C	C2	E	E2	F	G	G1	H	H1	L	M	O	P	Q	R	V	X1	X2	t	t1	w	z	Ød U×S	
0500	748	638	918	941	694	638	668	638	250	538	352	355	800	803	718	960	165	688	275	50	40	530	530	14	9	90	53,5	50	13×18
0560	839	715	1030	1050	771	715	745	715	250	603	390	393	893	896	815	1130	165	765	307	54	50	530	530	14	9	90	53,5	50	13×18
0630	940	801	1157	1178	857	801	831	801	300	679	434	437	999	1002	901	1215	165	851	349	59	50	530	530	14	9	90	53,5	50	13×18

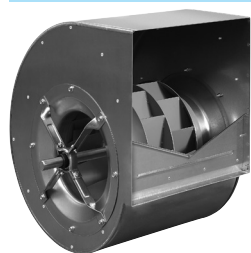
RDY K2-0710/-1000



RDY	A	A2	B	B1	B2	C	C2	E	E2	F	G	G1	H	H1	L	M	O	P	Q	R	V	X1	X2	t	t1	w	z	Ød U×S	
0710	1050	898	1303	1324	954	898	928	898	200	765	485	488	1121	1124	998	1340	165	948	398	71	50	630	630	18	11	90	64	60	17×22
0800	1181	1007	1468	1488	1063	1007	1037	1007	250	862	540	543	1255	1258	1107	1450	165	1057	453	79	50	710	710	18	11	90	64	60	17×22
0900	1319	1130	1648	1668	1186	1130	1160	1130	300	971	604	607	1408	1411	1230	1570	165	1180	510	89	50	800	800	18	11	90	64	60	17×22
1000	1451	1267	1810	1828	1323	1267	1297	1267	350	1066	657	660	1541	1544	1367	1700	165	1317	533	90	50	900	900	18	11	90	64	60	17×22

RDY L-0180/-0560

Specifications



High performance centrifugal fan RDY L

Double inlet belt drive.
 Lap jointed scroll of galvanised sheet steel assembled through Pittsburgh lockforming.
 Multi-position feet and discharge flange as an option.
 Centrifugal impeller with 8 backward inclined blades made of fibreglass reinforced polyamide (sizes 0180/-0225) or with 11 backward inclined blades made of sheet steel, welded and coated, balanced in according to ISO 1940.
 Throat plate inclined to blade trailing edge.
 Noise tested, maintenance free, self aligning radial insert ball bearings, mounted in pressed steel housing/strut assemblies with rubber interliners.
 Performance data in according to DIN 24166 tolerance class 2 (sizes 0180/-0315) tolerance class 1 (sizes 0355/-0560).

Fan data

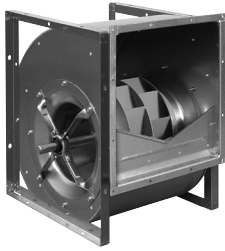
Fan type	
Volume flow	Q_v	m ³ /h
Total pressure increase	p_F	Pa
Static pressure	p_{sF}	Pa
Air density at fan inlet	ρ_1	kg/m ³
Air medium temperature	t	°C
Shaft power	P_a	kW
Efficiency	(η_a)	
Speed	N	1/min
Sound power level (A weighted)	L_{WA}	dB
Weight	m	kg

Fittings / Accessories

- Multi-Position feet
- Discharge flange
- Discharge flex with flexible sleeve
- Inlet guard
- Discharge guard
- Shaft guard for free shaft end
- Matching flange
- Inspection door
- Drain plug R 1/8"
- Increase corrosion protection
- Volumeter
- Shaft made of stainless steel
- Nuts and bolts and fastening elements made of stainless steel
- Aluminium inlet cone
- Copper inlet cone

RDY R-0180/-0560 RDY R-0630/-0710

Specifications



High performance centrifugal fan RDY R / RDY R

Double inlet belt drive.
Lap jointed scroll of galvanised sheet steel assembled through Pittsburgh lockforming, discharge flange as an option.
Rectangular side frame of galvanised steel.
Centrifugal impeller with 8 backward inclined blades made of fibreglass reinforced polyamide (sizes 0180/-0225) or with 11 backward inclined blades made of sheet steel, welded and coated, balanced in according to ISO 1940.
Throat plate inclined to blade trailing edge.
Noise tested, maintenance free, self aligning radial insert ball bearings, mounted in pressed steel housing/strut assemblies with rubber interliners.
Performance data in according to DIN 24166 tolerance class 2 (sizes 0180/-0315) or tolerance class 1 (sizes 0355/-0710).

Fan data

Fan type		
Volume flow	Q_V	m ³ /h
Total pressure increase	P_F	Pa
Static pressure	P_{SF}	Pa
Air density at fan inlet	ρ_1	kg/m ³
Air medium temperature	t	°C
Shaft power	P_a	kW
Efficiency	(η_a)	
Speed	N	1/min
Sound power level (A weighted)	L_{WA}	dB
Weight	m	kg

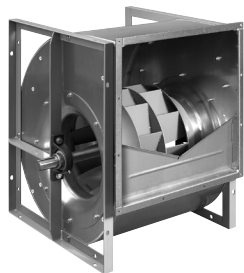
Fittings / Accessories

- Multi-Position feet
- Discharge flange
- Discharge flex with flexible sleeve
- Inlet guard
- Discharge guard
- Shaft guard for free shaft end
- Matching flange
- Inspection door
- Drain plug R 1/8"
- Increase corrosion protection
- Volumeter
- Shaft made of stainless steel
- Nuts and bolts and fastening elements made of stainless steel
- Aluminium inlet cone
- Copper inlet cone, or equipped with a copper strip (from size 0630)

RDY K-0200/-0560

RDY K-0630/-1000

Specifications



High performance centrifugal fan RDY K / RDY K

Double inlet, belt drive.
 Lap jointed scroll of galvanised sheet steel assembled through Pittsburgh lockforming, discharge flange as an option.
 Welded heavy duty reinforced side frames, coated.
 Centrifugal impeller with 8 backward inclined blades made of fibreglass reinforced polyamide (sizes 0200/-0225) or with 11 backward inclined blades made of sheet steel, welded and coated (sizes 0250/-1000), balanced in according to ISO 1940.
 Throat plate inclined to blade trailing edge.
 Monobloc pedestal cast iron bearings with relubrication nipple, mounted on a robust pedestal, integrated, self aligning radial insert ball bearings fixed by eccentric clamp.
 Performance data in according to DIN 24166 tolerance class 2 (sizes 0200/-0315) or tolerance class 1 (sizes 0355/-1000).

Fan data

Fan type	
Volume flow	Q _v	m ³ /h
Total pressure increase	p _F	Pa
Static pressure	p _{sF}	Pa
Air density at fan inlet	ρ ₁	kg/m ³
Air medium temperature	t	°C
Shaft power	P _a	kW
Efficiency	(η _a)	
Speed	N	1/min
Sound power level (A weighted)	L _{WA}	dB
Weight	m	kg

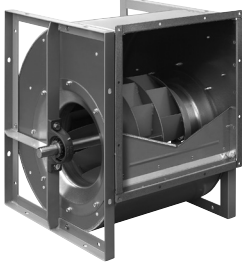
Fittings / Accessories

- Discharge flange
- Discharge flex with flexible sleeve
- Inlet guard
- Discharge guard
- Shaft guard for free shaft end
- Matching flange
- Inspection door
- Drain plug R 1/8"
- Reinforcing side frame hot dip galvanised
- Increase corrosion protection
- Volumeter
- Shaft made of stainless steel
- Nuts and bolts and fastening elements made of stainless steel
- Aluminium inlet cone
- Copper inlet cone, or equipped with a copper strip (as from size 0630)

RDY K1-0315/-0560

RDY K1-0630/-0900

Specifications



High performance centrifugal fan RDY K1 / RDY K1

Double inlet, belt drive.
 Lap jointed scroll of galvanised sheet steel assembled through Pittsburgh lockforming, discharge flange as an option.
 Welded heavy duty reinforced side frames, coated.
 Centrifugal impeller with 11 backward inclined blades made of sheet steel, welded and coated, balanced in according to ISO 1940.
 Throat plate inclined to blade trailing edge.
 Monobloc pedestal cast iron bearings with relubrication nipple, mounted on a robust pedestal, integrated, self aligning radial insert ball bearings fixed by conical sleeve.
 Performance data in according to DIN 24166 tolerance class 2 (size 0315) or tolerance class 1 (sizes 0355/-1000).

Fan data

Fan type		
Volume flow	Q_V		m ³ /h
Total pressure increase	p_F		Pa
Static pressure	p_{sF}		Pa
Air density at fan inlet	ρ_1		kg/m ³
Air medium temperature	t		°C
Shaft power	P_a		kW
Efficiency	(η_a)		
Speed	N		1/min
Sound power level (A weighted)	L_{WA}		dB
Weight	m		kg

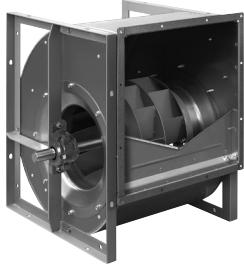
Fittings / Accessories

- Discharge flange
- Discharge flex with flexible sleeve
- Inlet guard
- Discharge guard
- Shaft guard for free shaft end
- Matching flange
- Inspection door
- Drain plug R 1/8"
- Reinforcing side frame hot dip galvanised
- Increase corrosion protection
- Volumeter
- Shaft made of stainless steel
- Nuts and bolts and fastening elements made of stainless steel
- Aluminium inlet cone
- Copper inlet cone, or equipped with a copper strip (from size 0630)

RDY K2-0500/-0560

RDY K2-0630/-1000

Specifications



High performance centrifugal fan RDY K2 / RDY K2

Double inlet belt drive.
 Lap jointed scroll of galvanised sheet steel assembled through Pittsburgh lockforming, discharge flange as an option.
 Welded heavy duty reinforced side frames, coated.
 Centrifugal impeller with 11 backward inclined blades made of sheet steel, welded and coated, balanced in according to ISO 1940.
 Throat plate inclined to blade trailing edge.

Size 0500

Monobloc pedestal cast iron bearings with relubrication nipple, mounted on a robust pedestal, integrated, self aligning radial insert ball bearings fixed by conical sleeve

Sizes 0560 up to 0800

Split pedestal cast iron bearings with relubrication nipple, mounted on a robust pedestal, integrated self aligning double row bearings fixed by conical sleeve, lubricated with long life high performance grease.

Sizes 0900 and 1000

Single-piece pillar blocks with relubrication nipple, mounted on a robust pedestal, integrated double row, self aligning roller bearings fixed by conical sleeve, lubricated with long life high performance grease.

Performance data in according to DIN 24166 tolerance class 1.

Fan data

Fan type	
Volume flow	Q_v	m ³ /h
Total pressure increase	p_F	Pa
Static pressure	p_{sF}	Pa
Air density at fan inlet	ρ_1	kg/m ³
Air medium temperature	t	°C
Shaft power	P_a	kW
Efficiency	(η_a)	
Speed	N	1/min
Sound power level (A weighted)	L_{WA}	dB
Weight	m	kg

Fittings / Accessories

- Discharge flange
- Discharge flex with flexible sleeve
- Inlet guard
- Discharge guard
- Shaft guard for free shaft end
- Matching flange
- Inspection door
- Drain plug R 1/8"
- Reinforcing side frame hot dip galvanised
- Increase corrosion protection
- Volumeter
- Threaded hole for measurement of shock impulse (sizes 0560 up to 1000)
- Shaft made of stainless steel
- Nuts and bolts and fastening elements made of stainless steel
- Aluminium inlet cone
- Copper inlet cone, or equipped with a copper strip (from size 0630)

WORLDWIDE LOCATIONS

NICOTRA-GEGBHARDT.COM

AUSTRALIA

Regal Beloit Australia Pty Ltd
Melbourne Office
19 Corporate Ave (PO Box 2340)
Rowville VIC 3178
Phone 1 300 888 853
Fax +61 3 9237 4050

BELGIUM

Nicotra Gebhardt Belgique
Allée des Artisan,18
4130 Esneux
Phone +32 (0)42288580
Fax +32 (0)42288580
E-mail info@nicotra.be

CHINA

Nicotra Gebhardt (Guangzhou) Co. Ltd. - China
88 Tai'An Road, XinQiao, ShiJi, Panyu
Guangzhou 511450
PR CHINA
Phone +86 (0)20-2293 5700
Fax +86 (0)20-2293 5701
E-mail sales@nicotra-china.com

FRANCE

Nicotra Gebhardt S.p.A.
Leader's Park Bat A1
3 chemin des Cytises
69340 Francheville
Phone +33 (0)4 72 79 01 20
Fax +33 (0)4 72 79 01 21
E-mail ngfrance@nicotra-gebhardt.com

GREAT BRITAIN

Nicotra Gebhardt Ltd - UK
Unit D, Rail Mill Way
Parkgate Business Park
Rotherham
South Yorkshire
S62 6JQ
Phone +044 01709-780760
Fax +044 01709-780762
E-mail sales@nicotra.co.uk

INDIA

Nicotra India PVT Ltd - India
Plot no 28F & 29, Sector-31,Kasna,
Greater Noida-201 308 U.P (India)
Phone +91 120 4783400
Phone +91 22 65702056 (Mumbai)
Phone +91 80 25727830 (Bangalore)
E-mail info@nicotraindia.com

NEW ZEALAND

Regal Beloit New Zealand Limited
Auckland office
18 Jomac Place
Avondale, Auckland 1026
Phone 0800 676722
Fax +64 9 820 8504



SPAIN

Nicotra Gebhardt Espana
C/ Jamaica, 5
Apdo. Correos 5077
28806 Alcalá de Henares
Phone +34 918-846110
Fax +34 918-859450
E-mail info.es@nicotra-gebhardt.com

SINGAPORE

Nicotra Gebhardt PTE LTD
12 Tuas Loop
Singapore 637346
Phone +65 6863 3473
Fax +65 6863 3476
E-mail info_singapore@nicotra-gebhardt.com

SWEDEN

Nicotra Gebhardt A.B
Box 237
Kraketorpsgatan 30
43153 Mölndal
Phone +46 (0)311302610
E-mail info.se@nicotra-gebhardt.com

THAILAND

Nicotra Gebhardt Co LTD
6/29 Soi Suksawadi 2, Moo 4, Suksawadi Road,
Kwang Jomthong, Khet Jomthong,
Bangkok 10150
Phone +662 476-1823-6
Fax +662 476-1827
E-mail sales@nicotra.co.th

UNITED STATES

Regal Beloit Corporation
200 State St.
Beloit, WI 53511
Phone 001(608) 364-8800
E-mail info.ng.us@regalbeloit.com
Web www.regalbeloit.com

NICOTRA||Gebhardt®

Nicotra Gebhardt Germany

Nicotra Gebhardt GmbH
Gebhardtstraße 19-25
74638 Waldenburg (Germany)
Phone +49 7942 1010
Fax +49 7942 101 170
E-Mail info.ng.de@regalbeloit.com
Web www.nicotra-gebhardt.com

Nicotra Gebhardt Italy

Regal Beloit Italy S.p.A.
Via Modena, 18
24040 Zingonia (BG) (Italy)
Phone +39 035 873 111
Fax +39 035 884 319
E-mail info.ng.it@regalbeloit.com
Web www.nicotra-gebhardt.com

APPLICATION CONSIDERATIONS

The proper selection and application of products and components, including the related area of product safety, is the responsibility of the customer. Operating and performance requirements and potential associated issues will vary appreciably depending upon the use and application of such products and components. The scope of the technical and application information included in this publication is necessarily limited. Unusual operating environments and conditions, lubrication requirements, loading supports, and other factors can materially affect the application and operating results of the products and components and the customer should carefully review its requirements. Any technical advice or review furnished by Regal Beloit America, Inc. and/or its affiliates ("Regal Rexnord Corp") with respect to the use of products and components is given in good faith and without charge, and Regal Rexnord Corp assumes no obligation or liability for the advice given, or results obtained, all such advice and review being given and accepted at customer's risk.

For a copy of our Standard Terms and Conditions of Sale, please visit <https://www.regalbeloit.com/Terms-and-Conditions-of-Sale>. These terms and conditions of sale, disclaimers and limitations of liability apply to any person who may buy, acquire or use a Regal Rexnord Corp product referred to herein, including any person who buys from a licensed distributor of these branded products.