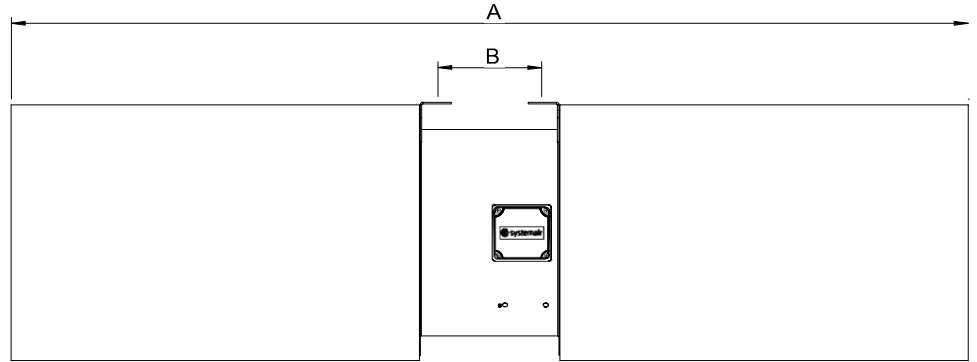
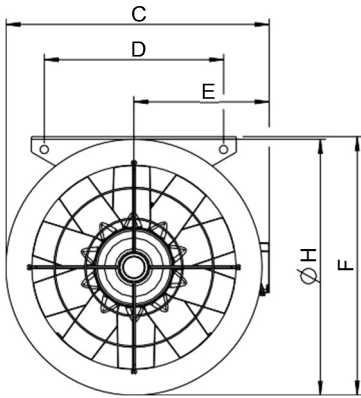


# AJ Series

## Axial Impulse Jet Fans



### Dimensions in inches (millimeters)

	A	B	C	D	E	F	H
AJR 315	60.4 (1535)	8.3 (211)	17.0 (433)	10.4 (265)	8.8 (223)	16.7 (425)	16.5 (420)
AJR 355	66.8 (1697)	8.3 (211)	18.5 (470)	12 (305)	9.4 (239)	18.3 (465)	18.1 (460)
AJR 400	73.6 (1869)	8.3 (211)	20.2 (513)	13.8 (351)	10.3 (351)	19.9 (506)	19.8 (503)

### Specification Data

Model	Voltage, V 3ph	Amperage, A	Frequency, Hz	Input Power, kW	<sup>1</sup> Flow Rate				<sup>2</sup> Octave Bands Sound Power Levels, Lw [dB]								<sup>3</sup> Total Sound dB(A), LpA @ 10ft
					RPM	Airflow, CFM	Thrust, N	Thrust/Fan input Power, N/kW	63	125	250	500	1000	2000	4000	8000	
AJR 315 B TR	400V	1.4	50	0.77	2900	2436	20.1	26.2	40	51	66	58	59	57	54	47	68
AJR 315 B TR	380-460V	1.5	60	0.98	3340	2567	22.3	22.7	86	84	97	80	81	78	75	70	72
AJR 355 B TR	400V	2.4	50	1.38	2900	3714	36.4	26.4	53	51	73	28	59	61	57	59	73
AJR 355 TR	380-460V	2.7	60	1.79	3500	4587	51.5	28.8	85	87	104	83	81	85	81	77	79
AJR 400 B TR	400V	3.8	50	2.12	2900	5331	59.3	28.0	45	53	74	60	60	66	59	52	75
AJR 400 TR	380-460V	3.9	60	2.65	3500	6085	51.5	28.8	85	87	104	83	81	85	81	77	79

<sup>1</sup>The AMCA Certified Ratings Seal applies to airflow rate at free delivery only. Speed (RPM) shown is nominal. Performance is based on actual speed of test. Performance ratings include the effects of inlet and outlet guards.

**Catalog series:** AJ Series

**Revision date:** October 2021

**Certifications:**



Systemair GmbH certifies that the AJ series shown herein is licensed to bear the AMCA seal. The ratings shown are based on tests and procedures performed in accordance with AMCA Publication 211 and AMCA Publication 311 and comply with the requirements of the AMCA Certified Ratings Program.

