

Low Pressure Axial Smoke-exhaust Fan Driven Directly



FLOWTECH Co., Ltd. certifies that the LASD-1800 shown herein are licensed to bear the AMCA Seal. The ratings shown are based on tests and procedures performed in accordance with AMCA Publication 211 and AMCA Publication 311 and comply with the requirements of the AMCA Certified Ratings Program.

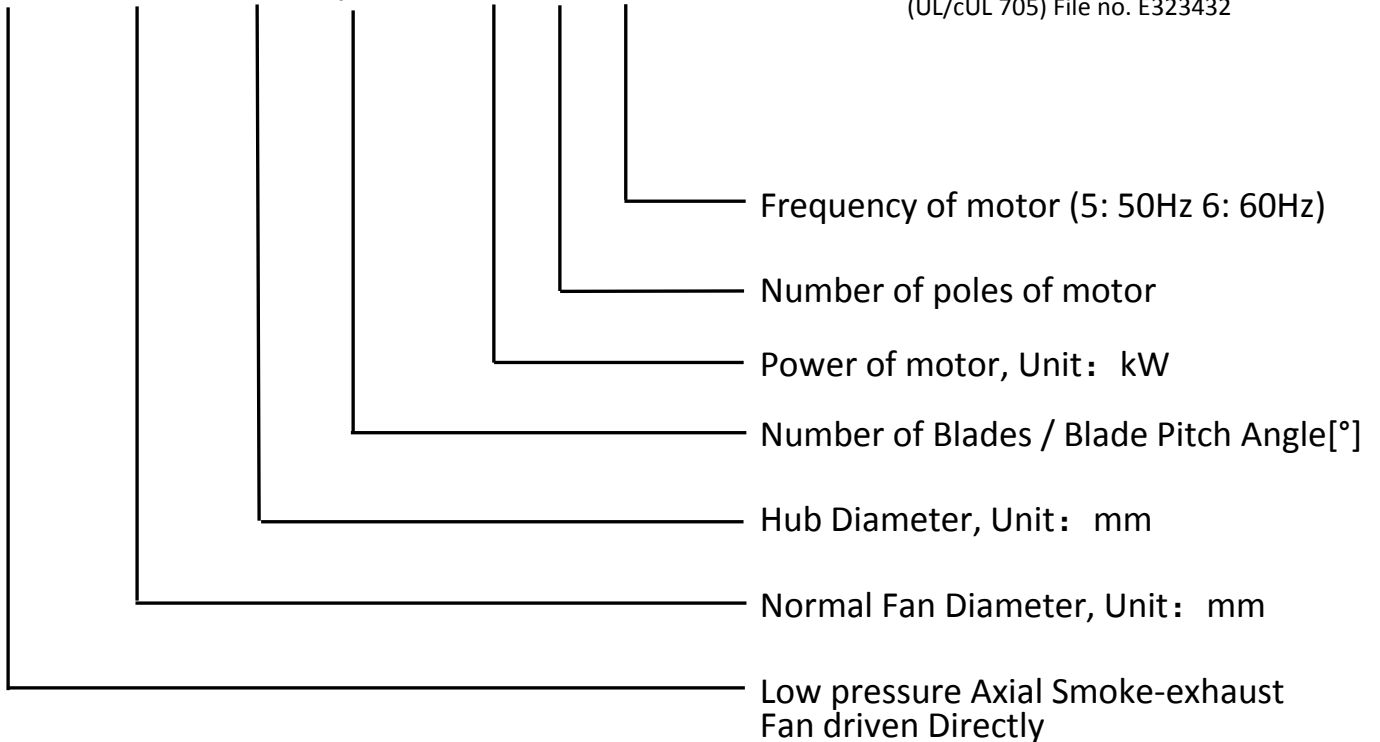


POWER VENTILATOR 45GD

LASD-1800 is listed for electrical (UL/cUL 705) File no. E323432

Fan code

LASD-1800 -620-7/20°- 30- 8 - 6



Casing

Version: L (light version)

Casings are spun of sheet galvanized steel with integral inlet flanges on both ends, mounting hole drilled in accordance to DIN 24154, R2. The strengthen structure is order to pad-mounted motors, foot-motors or flange-motors. It is suitable for duct or plenum type installation. This version is for all applications including smoke-extract and normal conditions in the HVAC-market.assemblies.

Version 2: H (heavy version)

Fan case and motor mounting made of hot-rolled steel, after welding that all steel parts are hot dip galvanized manufacturing. This version is for higher demands, for heavy industry or for high performances. Flanges on both ends, drilled in accordance to DIN 24154, R2 are integrated. On this type external terminal boxes are fitted as standard. If motors are with lubrication, tubes and grease-nipples are fitted outside fan case.

Propeller

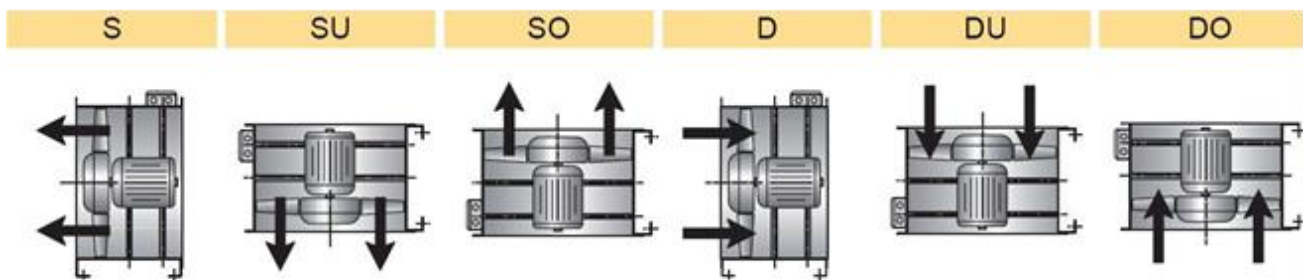
The Flowtech-propellers, hubs and blades are made of cast aluminum alloy, the aero-dynamical profile guarantees high efficiency and low noise. The blades are with adjustable pitch angle to optimum the duty point. The solidity varies for a wider range of performance. All rotating aluminum components are X-ray examined to ensure quality and reliability. All propellers are statically and dynamically balanced to ISO 1940 and AMCA 204 balance quality grade level-G2.5.

Motors

Flowtech uses as standard closed squirrel cage motors with pad-mounting and airstream rated to IEC 34, if required also in accordance to EPACT. The standard motors have Class H and enclosure IP 54. Continuous operating ranges from -40 °C to +40 °C, other operating conditions on demand. Multi speed versions with 2 or 3 speeds, TAB- or DUAL-wounded are also available. The motor bearings have L 10 (or L 50) life design. All motors are can be manufactured to correspond to F200, F300 or F400 requirements for smoke-extract application.

Forms of running

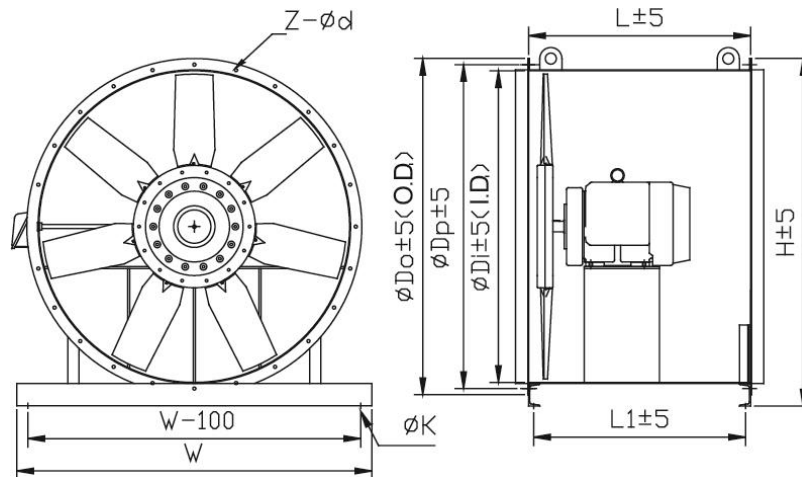
Flowtech-Axial flow fans are available for all forms of running. The chart information shows all standard forms of running, please indicate when ordering. Performance for form of running “D” are not certified by AMCA International. Form of running is especially relevant when weather proof motors are required.



Arrows indicating correct rotating and direction of airflow are mounted on the outside of the fan case.

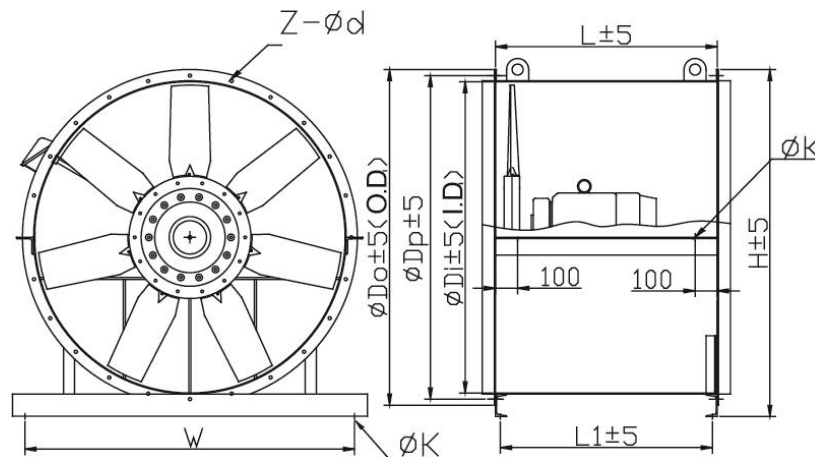
Dimensions (Unit: mm)

Feet mounting



Fan Size	Di	Dp	Do	Z x d	L	L1	W	K	H	Max. Motor Frame size
1800	1800	1855	1910	24x14	1220	1137	1800	22	2002	≤225S
1800	1800	1855	1910	24x14	1525	1442	1800	22	2002	<280M

Ceiling Hanging



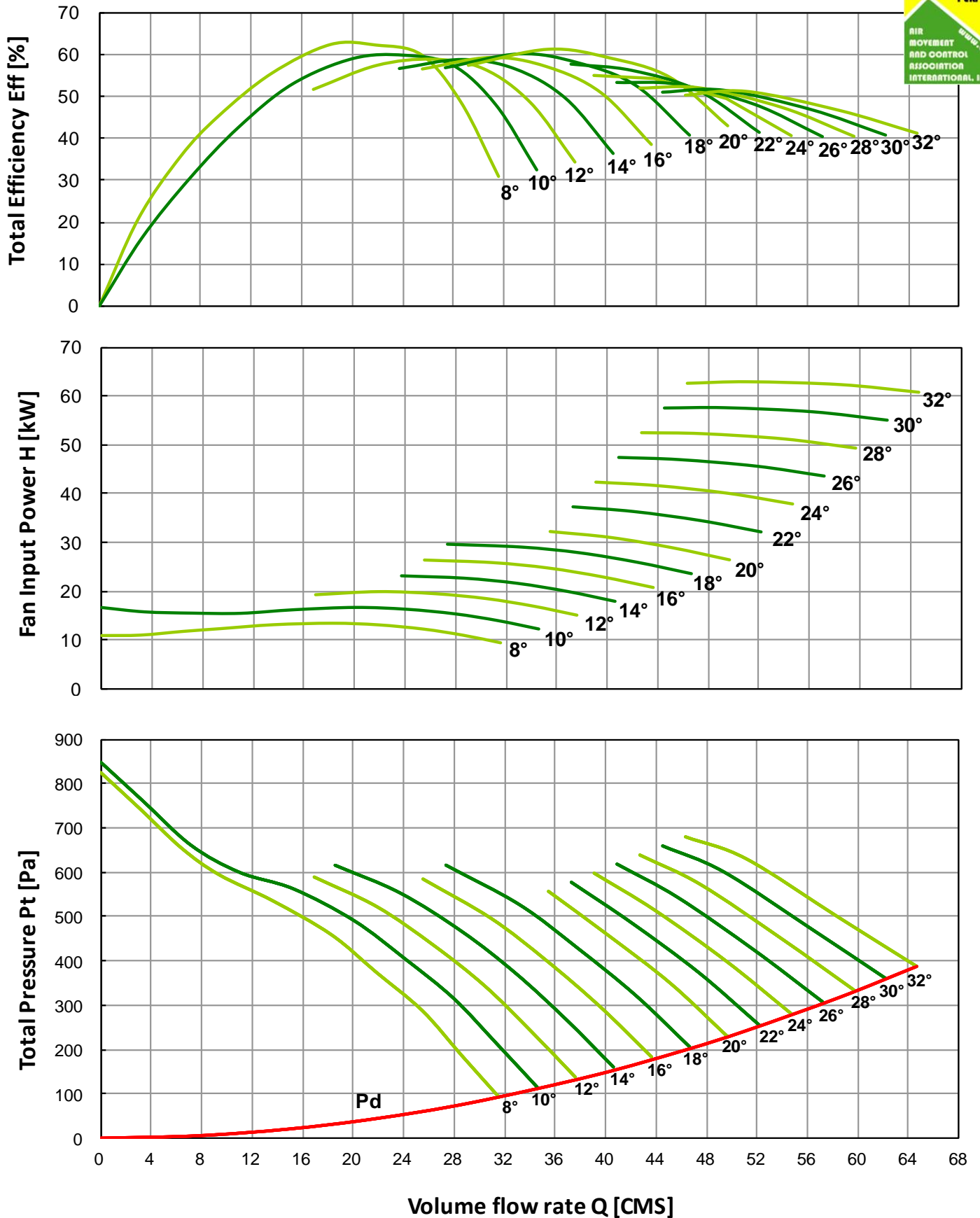
Fan Size	Di	Dp	Do	Z x d	L	L1	W	K	H	Max. Motor Frame size
1800	1800	1855	1910	24x14	1220	1020	1887	22	2002	≤225S
1800	1800	1855	1910	24x14	1525	1325	1887	22	2002	<280M

LASD-1800-620-7 (60 Hz) Performance Curves

FEG 63



Fan Speed $N = 880$ [rpm] Outlet Area $A = 2.545$ [m²] $\rho = 1.2$ kg/m³



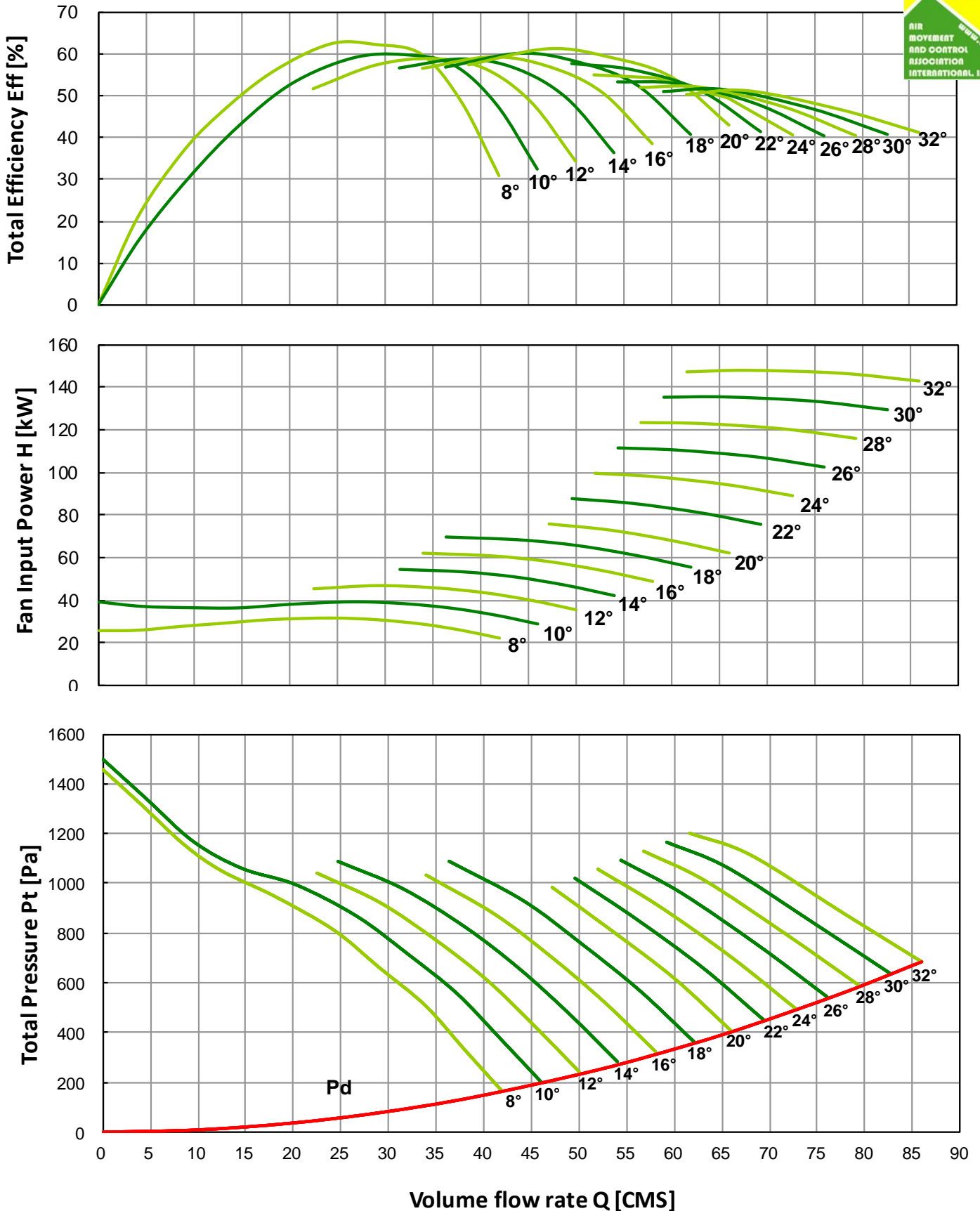
Performance certified is for installation type A: free inlet, free outlet. Performance ratings do not include the effects of appurtenances (accessories).

LASD-1800-620-7 (60 Hz) Performance Curves

FEG 63



Fan Speed $N = 1170$ [rpm] Outlet Area $A = 2.545$ [m²] $\rho = 1.2$ kg/m³



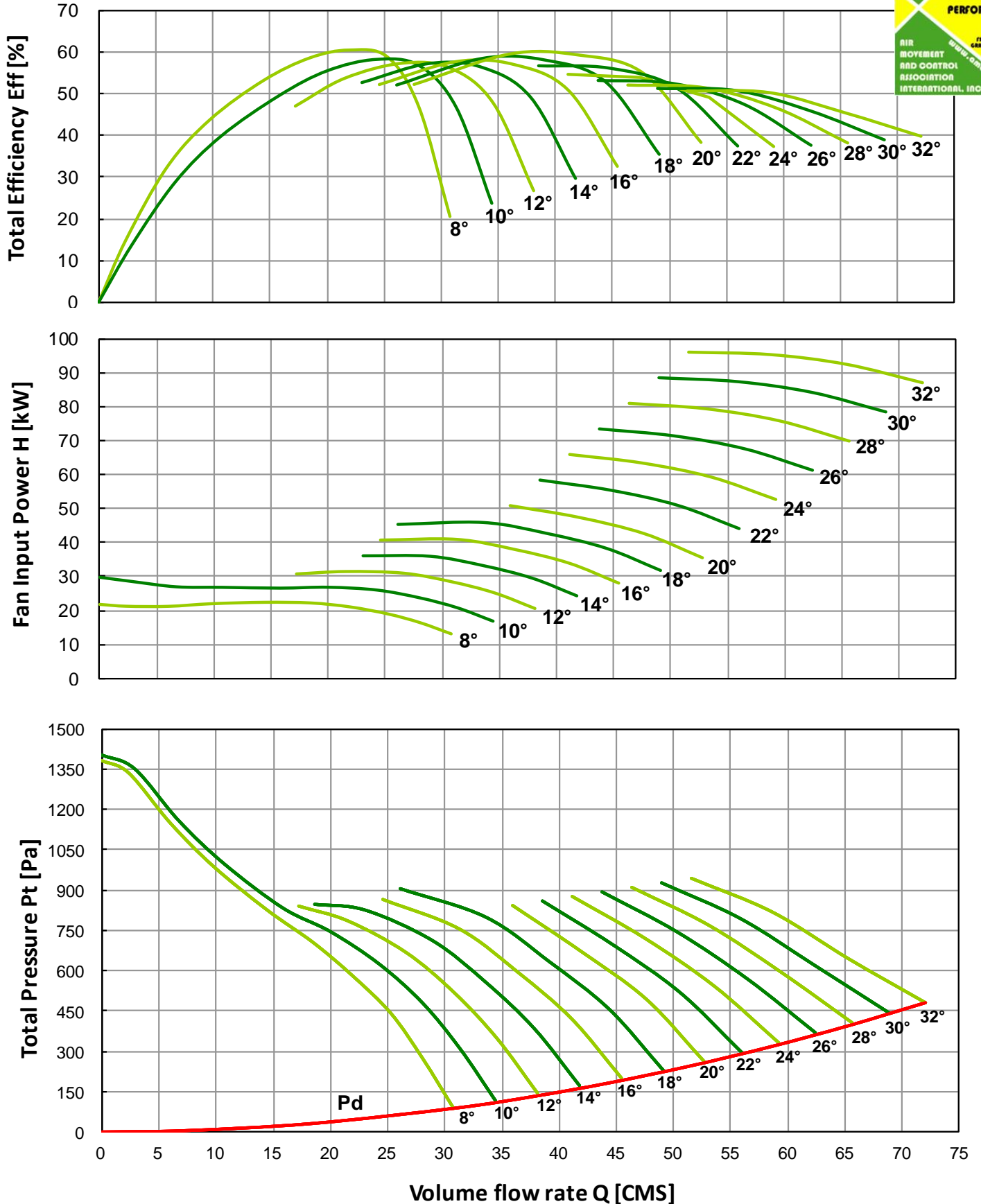
Performance certified is for installation type A: free inlet, free outlet. Performance ratings do not include the effects of **appurtenances** (accessories).

LASD-1800-620-14 (60 Hz) Performance Curves

FEG 63



Fan Speed $N = 880$ [rpm] Outlet Area $A = 2.545$ [m²] $\rho = 1.2$ kg/m³



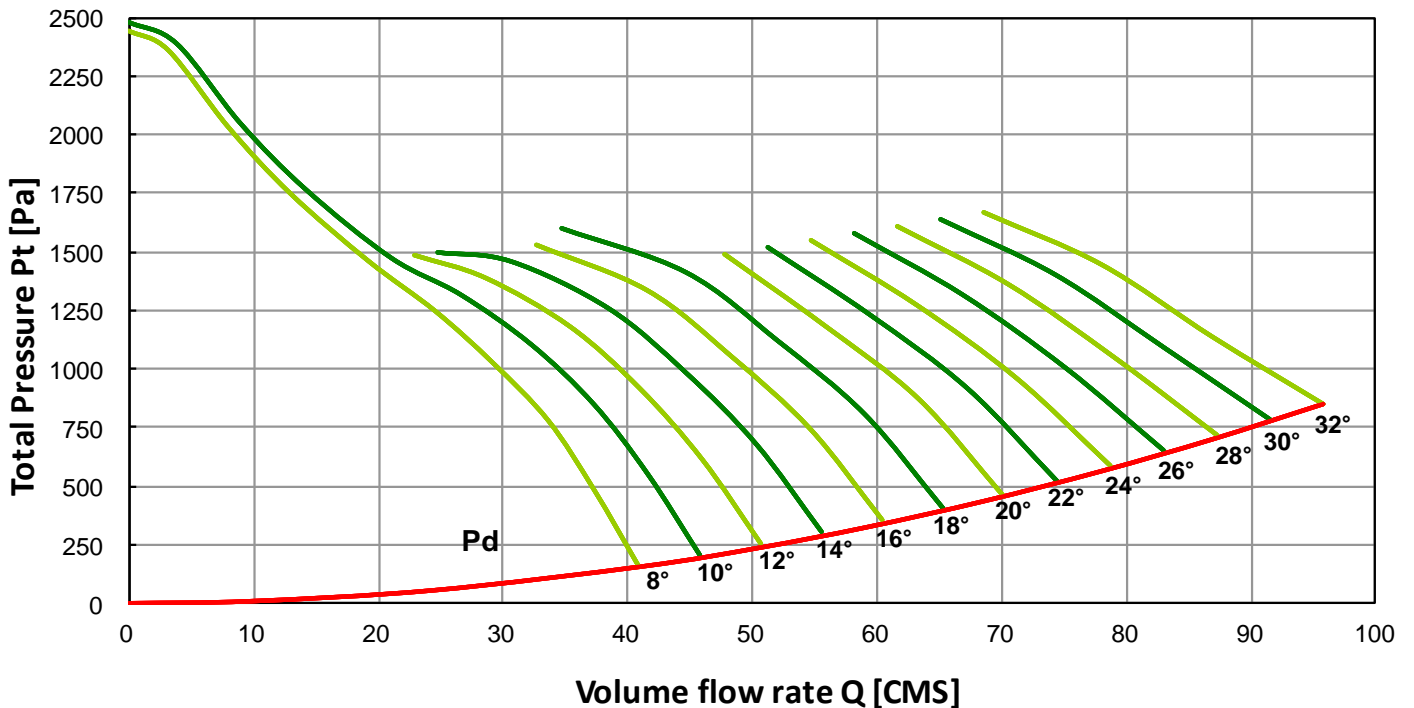
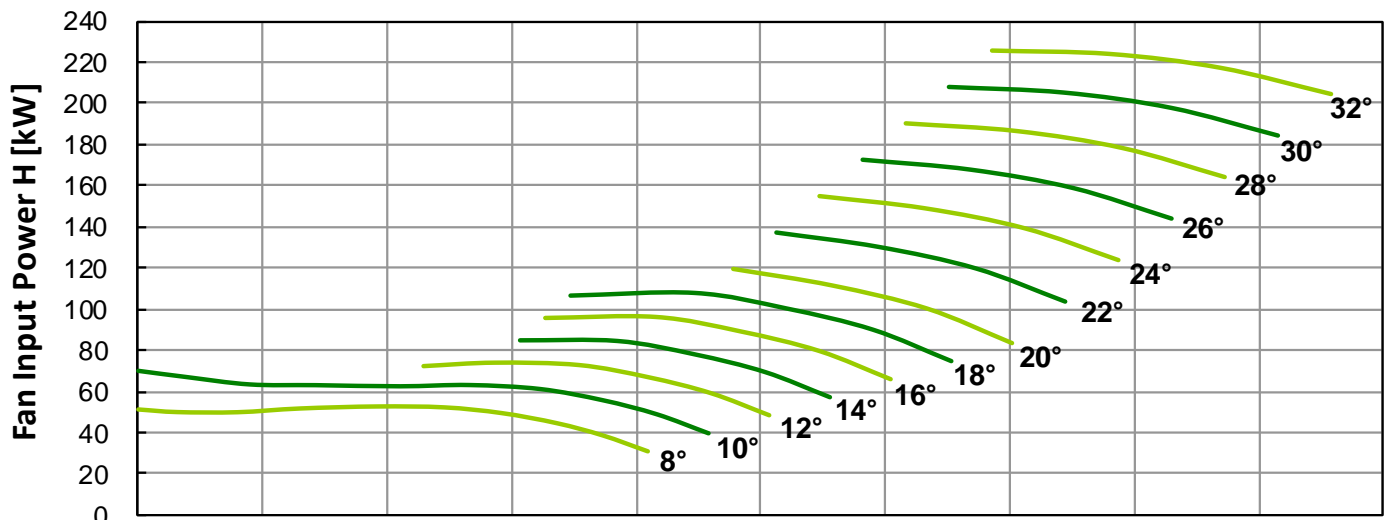
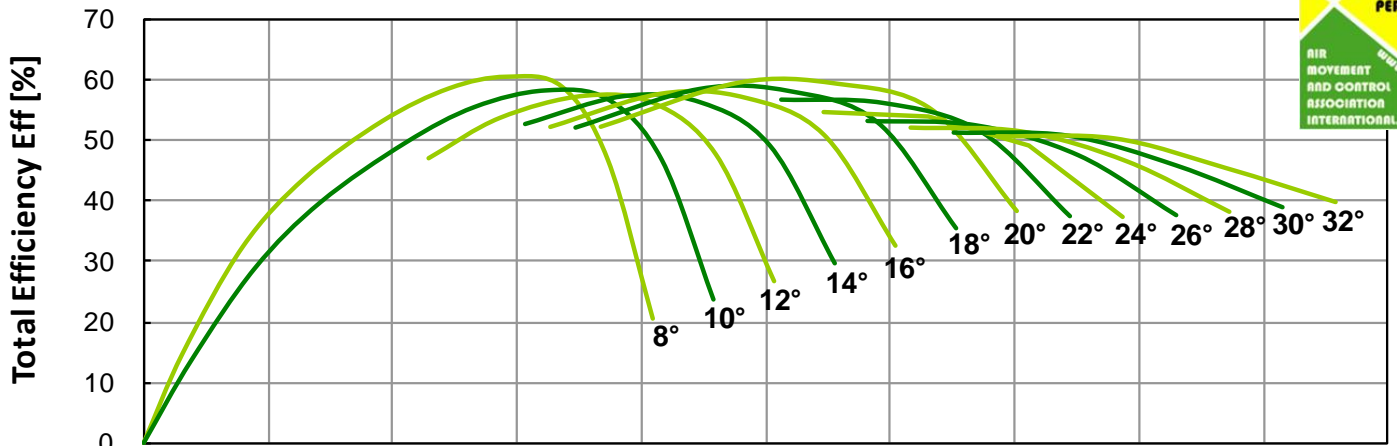
Performance certified is for installation type A: free inlet, free outlet. Performance ratings do not include the effects of **appurtenances** (accessories).

LASD-1800-620-14 (60 Hz) Performance Curves

FEG 63



Fan Speed N = 1170 [rpm] Outlet Area A = 2.545 [m²] ρ = 1.2kg/m



Performance certified is for installation type A: free inlet, free outlet. Performance ratings do not include the effects of **appurtenances** (accessories).

LASD-1800-620 (60 Hz) Sound Data[dB]



Model No.	N [RPM]	Ps [Pa]	Sound Power re 10 ⁻¹² Watts Octave Band [Hz]								L _{woA} [dB]
			63	125	250	500	1000	2000	4000	8000	
LASD-1800-620-7/8°	880	0	107	107	108	106	102	100	96	85	108
LASD-1800-620-7/8°	880	150	106	107	107	106	103	101	96	86	108
LASD-1800-620-7/8°	880	300	105	105	106	105	103	101	96	87	108
LASD-1800-620-7/8°	880	450	106	107	107	104	101	98	94	88	107
LASD-1800-620-7/20°	880	0	112	112	112	110	105	101	96	90	111
LASD-1800-620-7/20°	880	150	111	112	111	109	104	100	96	92	110
LASD-1800-620-7/20°	880	300	111	111	110	108	104	100	96	93	110
LASD-1800-620-7/20°	880	450	110	111	110	108	105	101	97	94	110
LASD-1800-620-7/32°	880	0	114	114	114	112	108	104	100	97	114
LASD-1800-620-7/32°	880	150	114	114	114	111	107	104	100	97	113
LASD-1800-620-7/32°	880	300	115	114	114	111	107	104	100	96	113
LASD-1800-620-7/32°	880	450	117	117	114	111	106	102	98	93	113
LASD-1800-620-7/8°	1170	0	113	113	114	115	110	106	107	95	116
LASD-1800-620-7/8°	1170	180	113	113	113	114	110	107	107	95	116
LASD-1800-620-7/8°	1170	360	112	113	111	113	110	107	107	96	115
LASD-1800-620-7/8°	1170	540	111	111	111	112	110	107	106	96	115
LASD-1800-620-7/20°	1170	0	118	118	118	118	113	108	105	98	119
LASD-1800-620-7/20°	1170	180	117	118	118	117	113	108	105	99	118
LASD-1800-620-7/20°	1170	360	117	118	117	116	112	108	104	100	118
LASD-1800-620-7/20°	1170	540	117	117	116	116	112	108	104	100	117
LASD-1800-620-7/32°	1170	0	121	121	121	120	116	112	108	104	122
LASD-1800-620-7/32°	1170	180	120	121	121	120	115	112	108	104	121
LASD-1800-620-7/32°	1170	360	120	121	120	119	114	112	108	104	121
LASD-1800-620-7/32°	1170	540	121	121	120	119	114	111	107	104	120

The sound power level ratings shown are in decibels referred to 10⁻¹² watts, calculated per AMCA International Standard 301. The A-weighted sound ratings shown have been calculated per AMCA International Standard 301. Values shown are for outlet L_{woA} sound power levels for installation Type A: free inlet, free outlet.

LASD-1800-620 (60 Hz) Sound Data[dB]



Model No.	N [RPM]	Ps [Pa]	Sound Power re 10 ⁻¹² Watts Octave Band [Hz]								L _{woA} [dB]
			63	125	250	500	1000	2000	4000	8000	
LASD-1800-620-14/8°	880	0	96	102	112	108	104	102	98	88	110
LASD-1800-620-14/8°	880	230	94	100	112	106	104	103	99	89	110
LASD-1800-620-14/8°	880	460	93	99	109	107	105	103	97	88	110
LASD-1800-620-14/8°	880	690	95	100	109	107	104	100	95	88	109
LASD-1800-620-14/20°	880	0	108	111	117	112	108	104	99	90	114
LASD-1800-620-14/20°	880	230	104	109	117	111	108	104	98	91	114
LASD-1800-620-14/20°	880	460	104	108	116	111	107	103	98	93	113
LASD-1800-620-14/20°	880	690	104	108	115	111	108	104	98	94	113
LASD-1800-620-14/32°	880	0	113	113	119	117	110	106	100	97	117
LASD-1800-620-14/32°	880	230	113	113	119	116	109	106	101	97	117
LASD-1800-620-14/32°	880	460	112	112	118	115	108	105	101	98	116
LASD-1800-620-14/32°	880	690	111	111	117	115	108	105	101	98	116
LASD-1800-620-14/8°	1170	0	102	102	118	115	112	108	108	98	118
LASD-1800-620-14/8°	1170	400	100	100	118	113	111	110	109	99	117
LASD-1800-620-14/8°	1170	800	99	99	116	114	112	111	107	97	118
LASD-1800-620-14/8°	1170	1200	101	101	115	114	112	109	104	97	117
LASD-1800-620-14/20°	1170	0	114	114	123	120	116	112	109	99	122
LASD-1800-620-14/20°	1170	400	110	110	123	119	115	111	107	100	121
LASD-1800-620-14/20°	1170	800	110	110	122	118	115	111	106	101	120
LASD-1800-620-14/20°	1170	1200	110	110	121	119	116	112	107	102	121
LASD-1800-620-14/32°	1170	0	119	119	125	124	119	114	109	105	125
LASD-1800-620-14/32°	1170	400	119	119	125	123	118	113	109	105	124
LASD-1800-620-14/32°	1170	800	118	118	124	122	117	113	109	105	123
LASD-1800-620-14/32°	1170	1200	117	117	123	122	117	113	109	105	123

The sound power level ratings shown are in decibels referred to 10⁻¹² watts, calculated per AMCA International Standard 301. The A-weighted sound ratings shown have been calculated per AMCA International Standard 301. Values shown are for outlet L_{woA} sound power levels for installation Type A: free inlet, free outlet.