

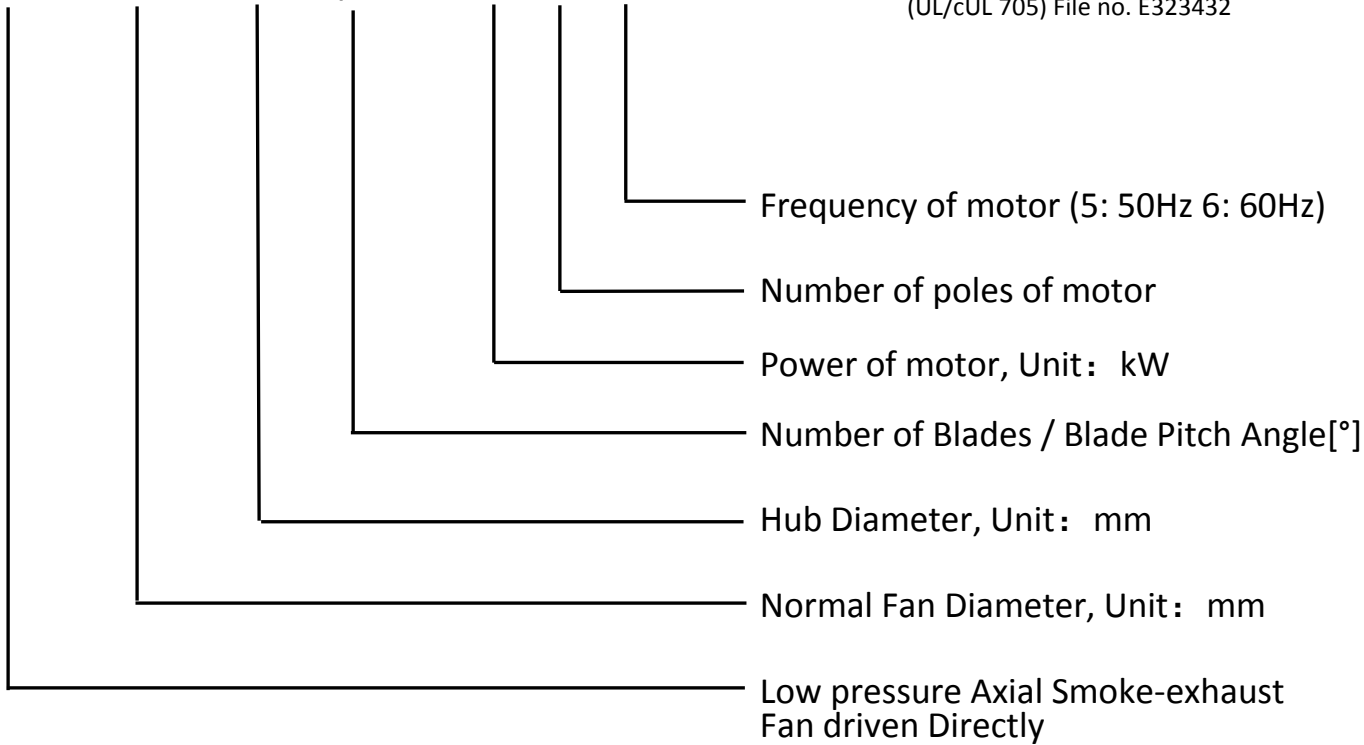
Low Pressure Axial Smoke-exhaust Fan Driven Directly



FLOWTECH Co., Ltd. certifies that the LASD-1800 shown herein are licensed to bear the AMCA Seal. The ratings shown are based on tests and procedures performed in accordance with AMCA Publication 211 and AMCA Publication 311 and comply with the requirements of the AMCA Certified Ratings Program.

Fan code

LASD-1800 -620-7/20°- 30- 8 - 5



POWER VENTILATOR 45GD

LASD-1800 is listed for electrical (UL/cUL 705) File no. E323432

Casing

Version: L (light version)

Casings are spun of sheet galvanized steel with integral inlet flanges on both ends, mounting hole drilled in accordance to DIN 24154, R2. The strengthen structure is order to pad-mounted motors, foot-motors or flange-motors. It is suitable for duct or plenum type installation. This version is for all applications including smoke-extract and normal conditions in the HVAC-market.assemblies.

Version 2: H (heavy version)

Fan case and motor mounting made of hot-rolled steel, after welding that all steel parts are hot dip galvanized manufacturing. This version is for higher demands, for heavy industry or for high performances. Flanges on both ends, drilled in accordance to DIN 24154, R2 are integrated. On this type external terminal boxes are fitted as standard. If motors are with lubrication, tubes and grease-nipples are fitted outside fan case.

Propeller

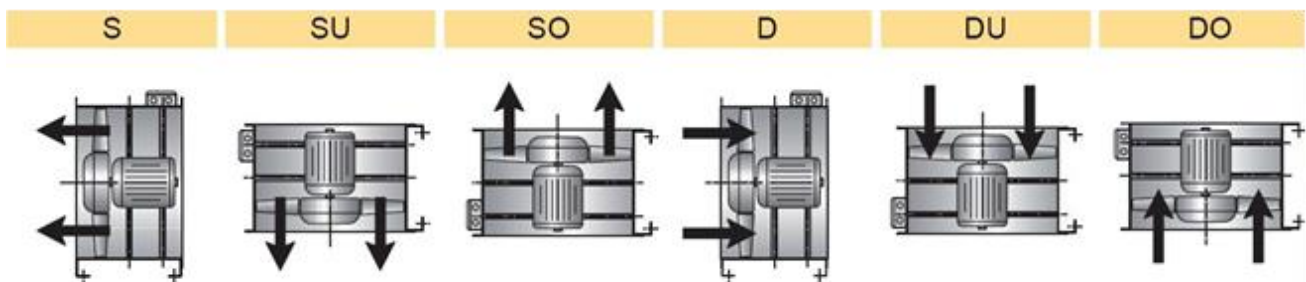
The Flowtech-propellers, hubs and blades are made of cast aluminum alloy, the aero-dynamical profile guarantees high efficiency and low noise. The blades are with adjustable pitch angle to optimum the duty point. The solidity varies for a wider range of performance. All rotating aluminum components are X-ray examined to ensure quality and reliability. All propellers are statically and dynamically balanced to ISO 1940 and AMCA 204 balance quality grade level-G2.5.

Motors

Flowtech uses as standard closed squirrel cage motors with pad-mounting and airstream rated to IEC 34, if required also in accordance to EPACT. The standard motors have Class H and enclosure IP 54. Continuous operating ranges from -40 °C to +40 °C, other operating conditions on demand. Multi speed versions with 2 or 3 speeds, TAB- or DUAL-wounded are also available. The motor bearings have L 10 (or L 50) life design. All motors are can be manufactured to correspond to F200, F300 or F400 requirements for smoke-extract application.

Forms of running

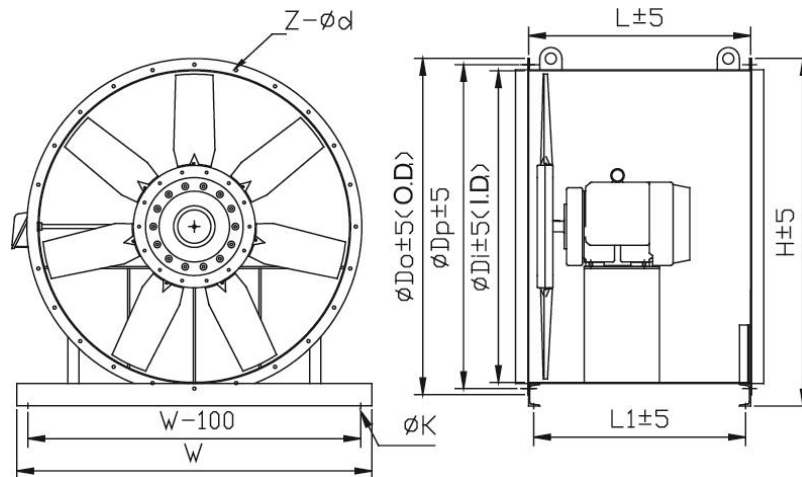
Flowtech-Axial flow fans are available for all forms of running. The chart information shows all standard forms of running, please indicate when ordering. Performance for form of running “D” are not certified by AMCA International. Form of running is especially relevant when weather proof motors are required.



Arrows indicating correct rotating and direction of airflow are mounted on the outside of the fan case.

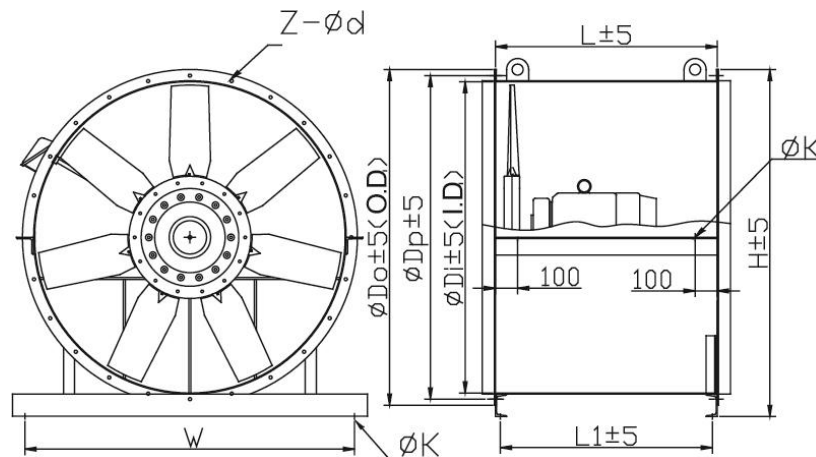
Dimensions (Unit: mm)

Feet mounting



Fan Size	Di	Dp	Do	Z x d	L	L1	W	K	H	Max. Motor Frame size
1800	1800	1855	1910	24x14	1220	1137	1800	22	2002	≤225S
1800	1800	1855	1910	24x14	1525	1442	1800	22	2002	<280M

Ceiling Hanging



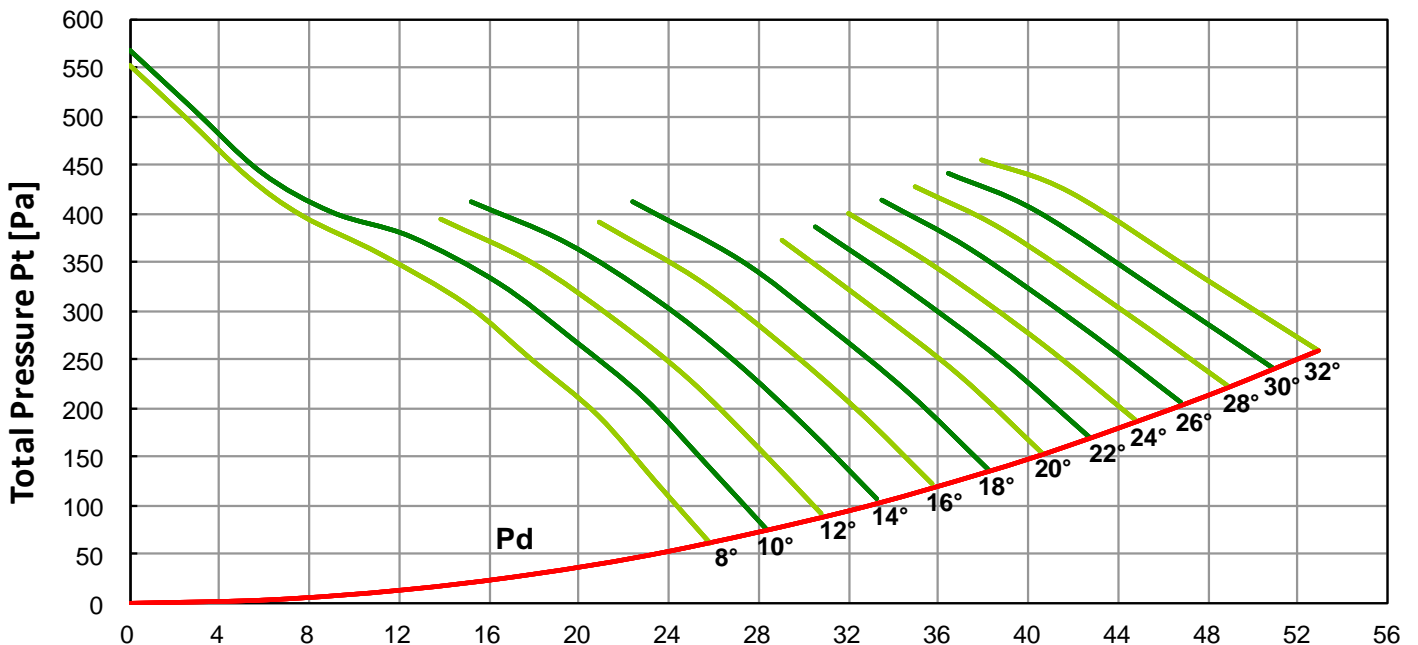
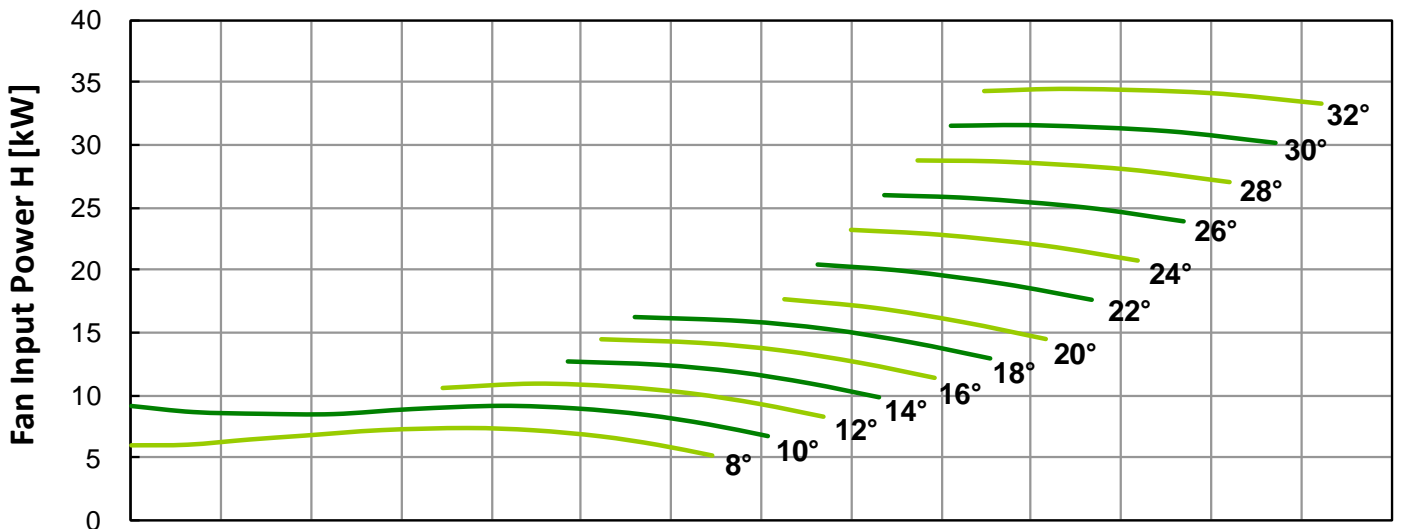
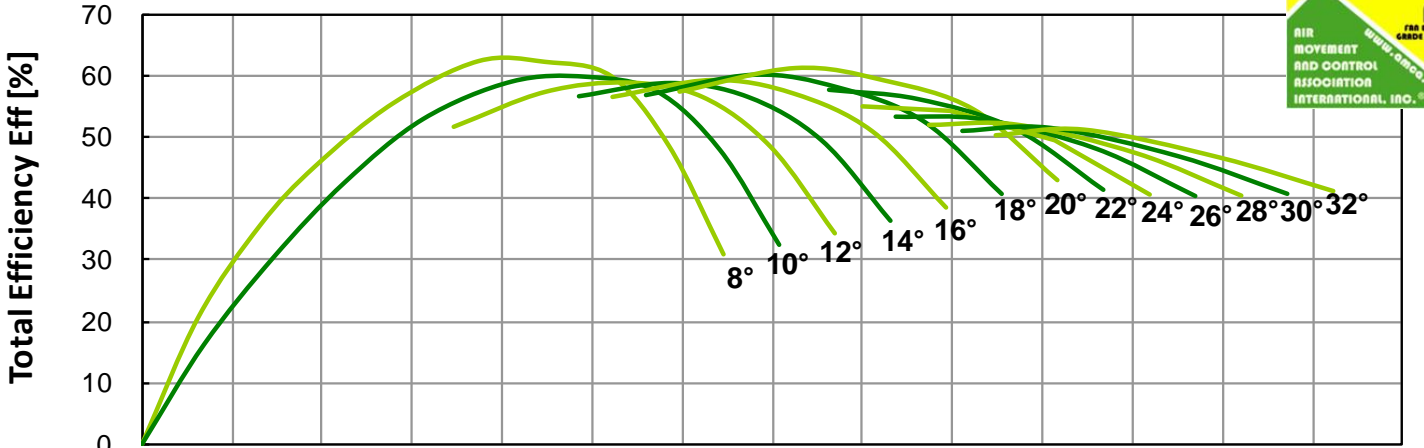
Fan Size	Di	Dp	Do	Z x d	L	L1	W	K	H	Max. Motor Frame size
1800	1800	1855	1910	24x14	1220	1020	1887	22	2002	≤225S
1800	1800	1855	1910	24x14	1525	1325	1887	22	2002	<280M

LASD-1800-620-7 (50 Hz) Performance Curves

FEG 63



Fan Speed $N = 720$ [rpm] Outlet Area $A = 2.545$ [m²] $\rho = 1.2$ kg/m³



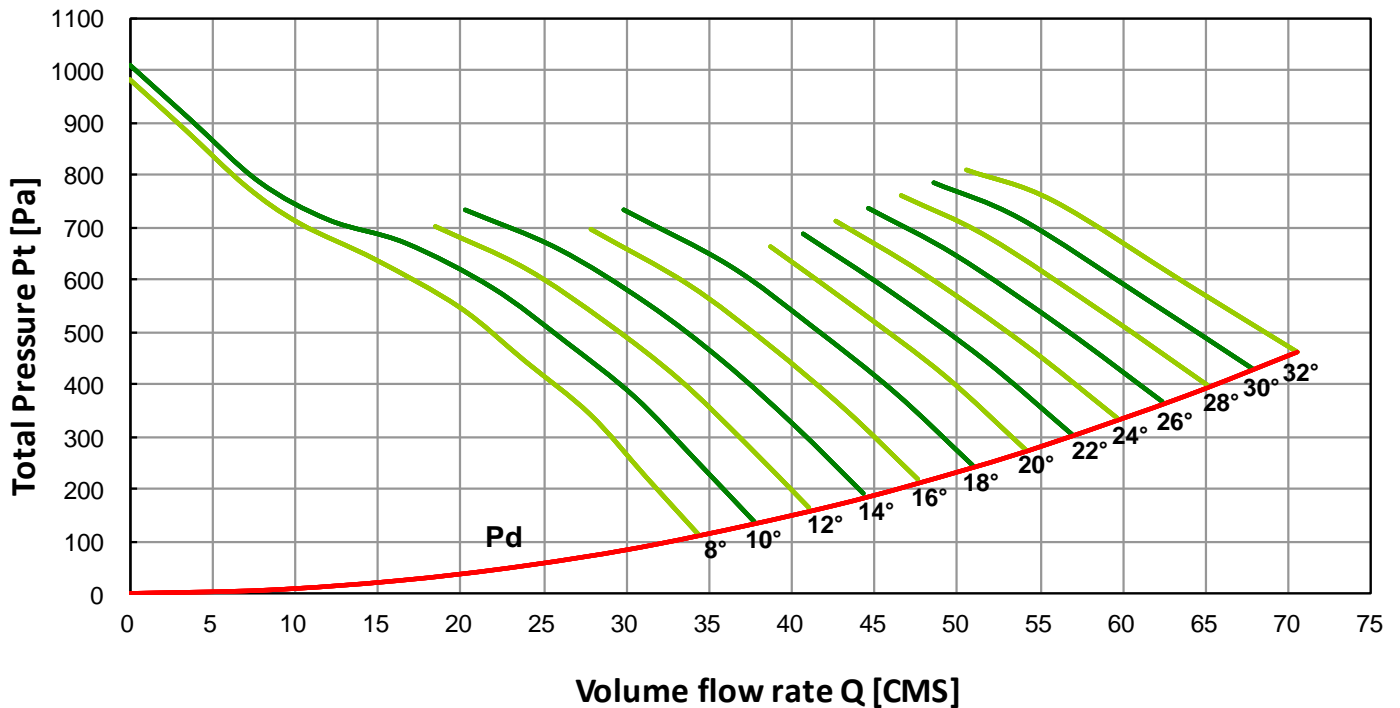
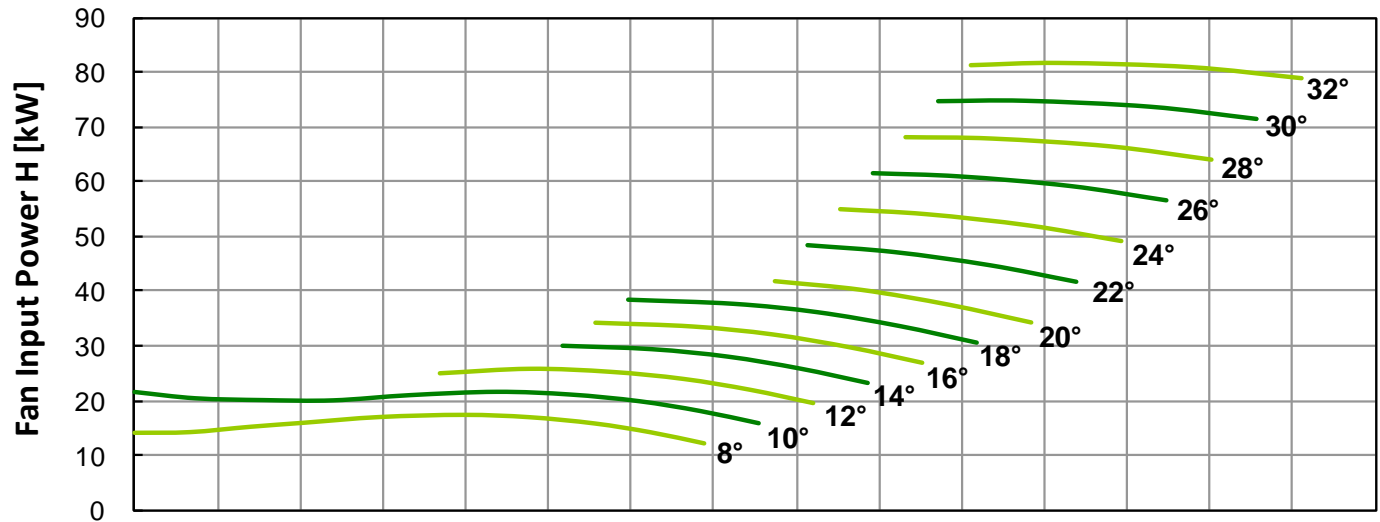
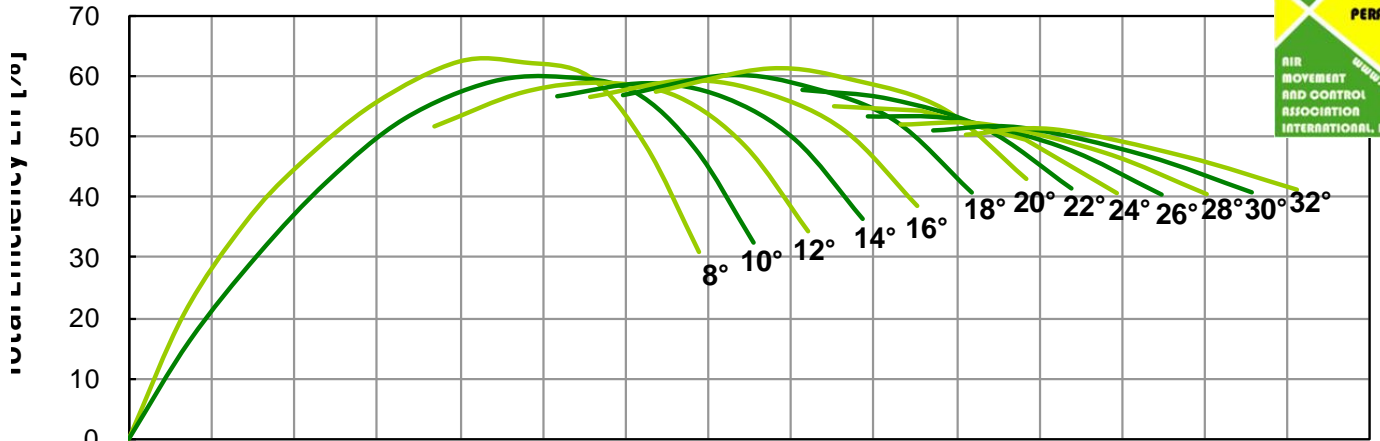
Performance certified is for installation type A: free inlet, free outlet. Performance ratings do not include the effects of appurtenances (accessories).

LASD-1800-620-7 (50 Hz) Performance Curves

FEG 63



Fan Speed $N = 960$ [rpm] Outlet Area $A = 2.545$ [m²] $\rho = 1.2$ kg/m³



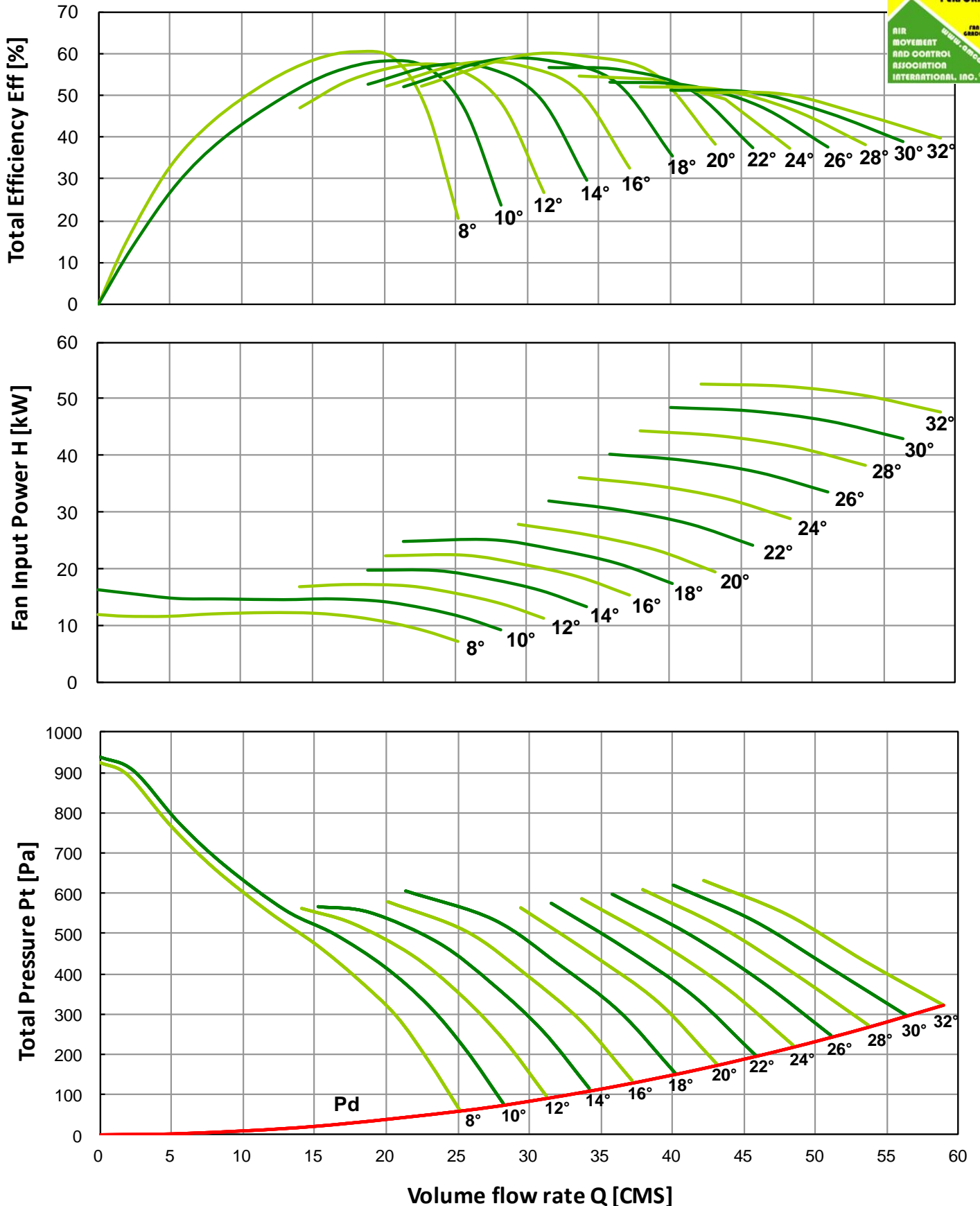
Performance certified is for installation type A: free inlet, free outlet. Performance ratings do not include the effects of **appurtenances** (accessories).

LASD-1800-620-14 (50 Hz) Performance Curves

FEG 63



Fan Speed $N = 720$ [rpm] Outlet Area $A = 2.545$ [m²] $\rho = 1.2$ kg/m³



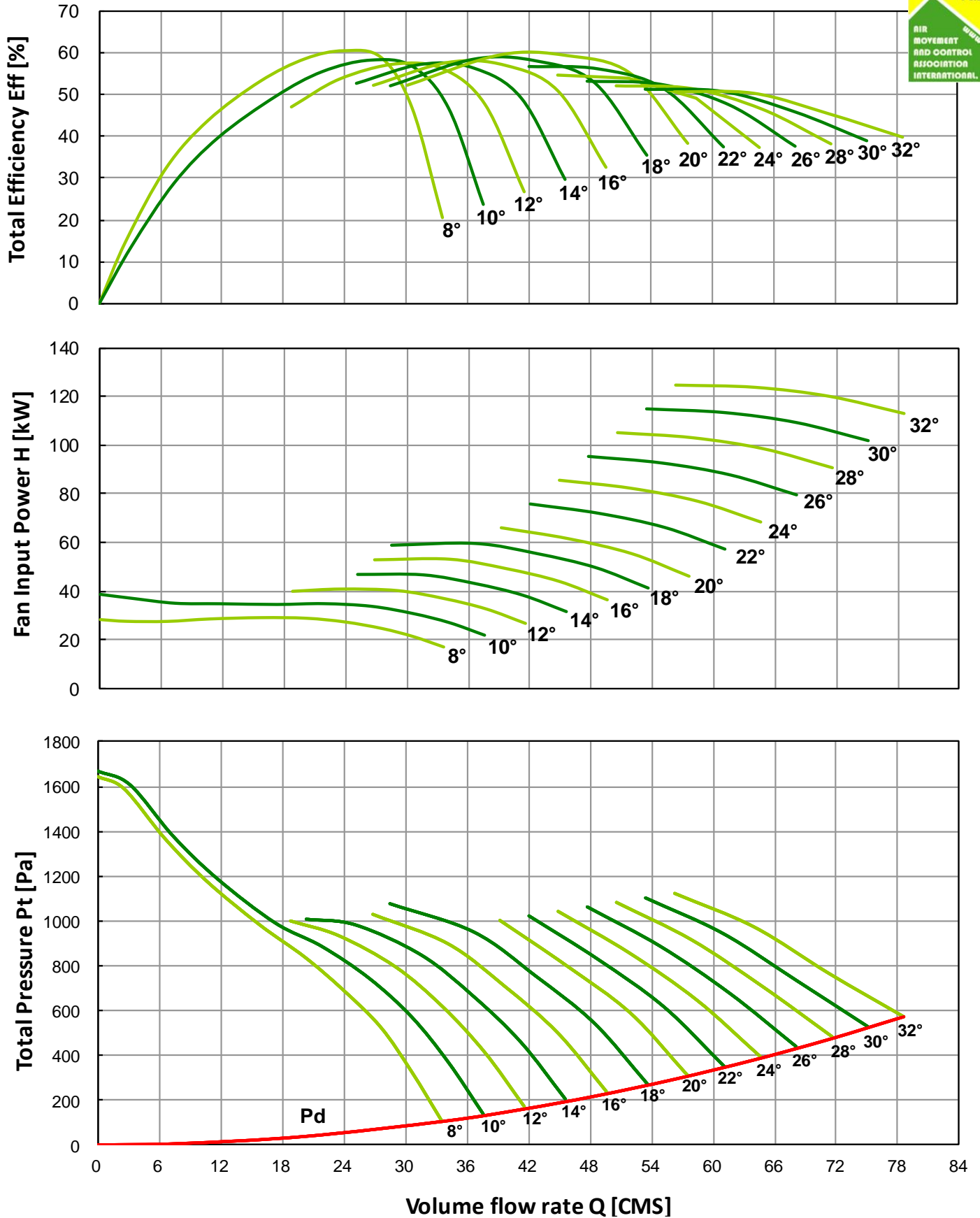
Performance certified is for installation type A: free inlet, free outlet. Performance ratings do not include the effects of appurtenances (accessories).

LASD-1800-620-14 (50 Hz) Performance Curves

FEG 63



Fan Speed N = 960 [rpm] Outlet Area A = 2.545 [m²] ρ = 1.2kg



Performance certified is for installation type A: free inlet, free outlet. Performance ratings do not include the effects of appurtenances (accessories).

LASD-1800-620 (50 Hz) Sound Data[dB]



Model No.	N [RPM]	Ps [Pa]	Sound Power re 10 ⁻¹² Watts Octave Band [Hz]								L _{woA} [dB]
			63	125	250	500	1000	2000	4000	8000	
LASD-1800-620-7/8°	720	0	103	103	104	101	97	96	88	78	103
LASD-1800-620-7/8°	720	100	103	102	103	100	97	96	88	79	103
LASD-1800-620-7/8°	720	200	101	101	102	100	97	96	88	80	103
LASD-1800-620-7/8°	720	300	101	103	102	98	96	93	88	82	101
LASD-1800-620-7/20°	720	0	107	108	107	104	99	96	90	85	106
LASD-1800-620-7/20°	720	100	107	107	106	103	99	95	90	86	105
LASD-1800-620-7/20°	720	200	106	106	105	103	99	95	91	87	105
LASD-1800-620-7/20°	720	300	106	105	105	103	99	96	92	88	105
LASD-1800-620-7/32°	720	0	110	110	110	106	103	99	95	92	109
LASD-1800-620-7/32°	720	100	110	110	109	106	102	99	95	92	108
LASD-1800-620-7/32°	720	200	110	110	109	105	102	98	94	91	108
LASD-1800-620-7/32°	720	300	113	112	109	105	101	96	92	87	107
LASD-1800-620-7/8°	960	0	109	109	110	109	104	102	100	88	111
LASD-1800-620-7/8°	960	180	108	109	108	108	105	103	99	89	110
LASD-1800-620-7/8°	960	360	107	107	107	107	105	103	99	89	110
LASD-1800-620-7/8°	960	540	108	108	109	106	103	100	96	91	109
LASD-1800-620-7/20°	960	0	113	114	114	112	107	103	99	93	113
LASD-1800-620-7/20°	960	180	113	114	113	111	107	103	99	94	113
LASD-1800-620-7/20°	960	360	113	113	112	111	107	103	99	95	113
LASD-1800-620-7/20°	960	540	112	113	111	111	107	104	100	96	113
LASD-1800-620-7/32°	960	0	116	116	116	115	110	107	103	99	116
LASD-1800-620-7/32°	960	180	116	116	116	114	110	106	103	99	116
LASD-1800-620-7/32°	960	360	117	116	116	113	109	106	102	98	115
LASD-1800-620-7/32°	960	540	119	119	117	113	109	105	100	96	115

The sound power level ratings shown are in decibels referred to 10⁻¹² watts, calculated per AMCA International Standard 301. The A-weighted sound ratings shown have been calculated per AMCA International Standard 301. Values shown are for outlet L_{woA} sound power levels for installation Type A: free inlet, free outlet.

LASD-1800-620 (50 Hz) Sound Data[dB]



Model No.	N [RPM]	Ps [Pa]	Sound Power re 10 ⁻¹² Watts Octave Band [Hz]								L _{woA} [dB]
			63	125	250	500	1000	2000	4000	8000	
LASD-1800-620-14/8°	720	0	92	107	105	102	99	97	91	81	105
LASD-1800-620-14/8°	720	150	90	107	103	101	100	98	92	82	105
LASD-1800-620-14/8°	720	300	88	106	104	102	101	98	90	81	105
LASD-1800-620-14/8°	720	450	91	105	104	102	99	95	88	81	104
LASD-1800-620-14/20°	720	0	103	113	111	107	103	99	92	84	109
LASD-1800-620-14/20°	720	150	100	113	109	106	102	98	92	85	108
LASD-1800-620-14/20°	720	300	99	112	109	105	102	97	92	87	107
LASD-1800-620-14/20°	720	450	99	110	108	106	103	98	93	88	108
LASD-1800-620-14/32°	720	0	109	115	114	110	104	100	95	91	111
LASD-1800-620-14/32°	720	150	108	115	113	109	104	100	95	92	111
LASD-1800-620-14/32°	720	300	107	114	112	109	103	100	96	92	110
LASD-1800-620-14/32°	720	450	107	113	112	108	103	100	96	92	110
LASD-1800-620-14/8°	960	0	98	102	113	110	107	104	101	91	112
LASD-1800-620-14/8°	960	280	96	100	112	108	107	105	102	92	112
LASD-1800-620-14/8°	960	560	95	99	111	109	108	105	100	91	112
LASD-1800-620-14/8°	960	840	97	101	111	109	106	103	97	90	111
LASD-1800-620-14/20°	960	0	109	112	119	115	111	107	102	93	117
LASD-1800-620-14/20°	960	280	106	109	118	114	110	106	101	94	116
LASD-1800-620-14/20°	960	560	106	108	117	113	110	106	100	95	115
LASD-1800-620-14/20°	960	840	105	108	117	114	111	106	101	96	116
LASD-1800-620-14/32°	960	0	115	115	121	119	113	109	103	99	120
LASD-1800-620-14/32°	960	280	115	115	120	118	112	108	103	100	119
LASD-1800-620-14/32°	960	560	113	113	119	117	111	108	103	100	118
LASD-1800-620-14/32°	960	840	113	113	119	117	111	107	103	100	118

The sound power level ratings shown are in decibels referred to 10⁻¹² watts, calculated per AMCA International Standard 301. The A-weighted sound ratings shown have been calculated per AMCA International Standard 301. Values shown are for outlet L_{woA} sound power levels for installation Type A: free inlet, free outlet.