

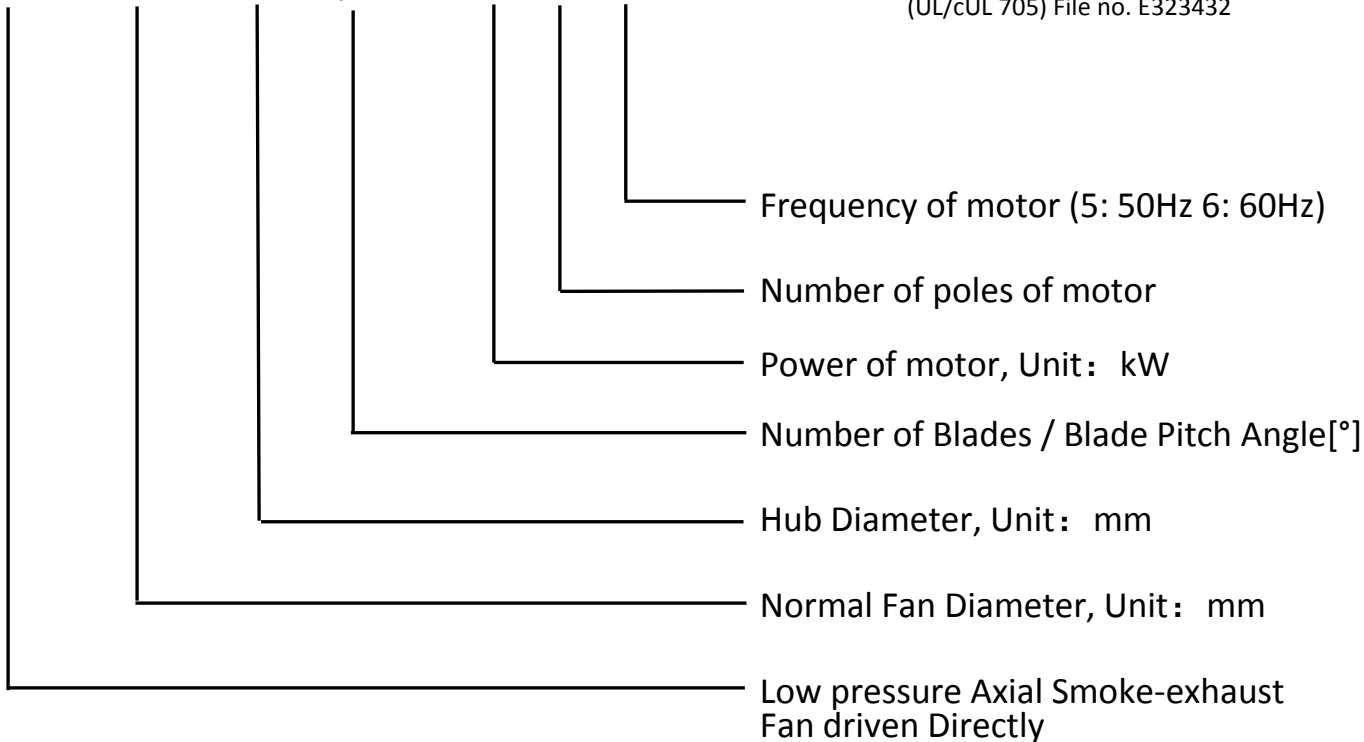
Low Pressure Axial Smoke-exhaust Fan Driven Directly



FLOWTECH Co., Ltd. certifies that the LASD-1600 shown herein are licensed to bear the AMCA Seal. The ratings shown are based on tests and procedures performed in accordance with AMCA Publication 211 and AMCA Publication 311 and comply with the requirements of the AMCA Certified Ratings Program.

Fan code

LASD-1600 -550-7/20°- 15- 8 - 5



POWER VENTILATOR 45GD

LASD-1600 is listed for electrical (UL/cUL 705) File no. E323432

Casing

Version: L (light version)

Casings are spun of sheet galvanized steel with integral inlet flanges on both ends, mounting hole drilled in accordance to DIN 24154, R2. The strengthen structure is order to pad-mounted motors, foot-motors or flange-motors. It is suitable for duct or plenum type installation. This version is for all applications including smoke-extract and normal conditions in the HVAC-market.assemblies.

Version 2: H (heavy version)

Fan case and motor mounting made of hot-rolled steel, after welding that all steel parts are hot dip galvanized manufacturing. This version is for higher demands, for heavy industry or for high performances. Flanges on both ends, drilled in accordance to DIN 24154, R2 are integrated. On this type external terminal boxes are fitted as standard. If motors are with lubrication, tubes and grease-nipples are fitted outside fan case.

Propeller

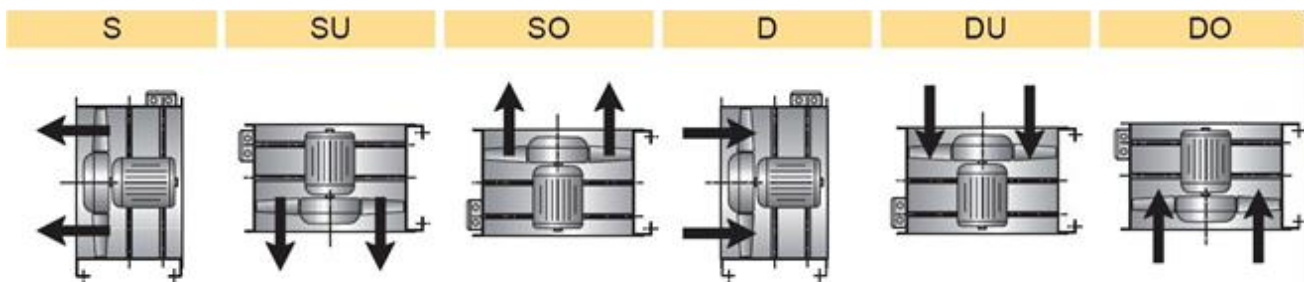
The Flowtech-propellers, hubs and blades are made of cast aluminum alloy, the aero-dynamical profile guarantees high efficiency and low noise. The blades are with adjustable pitch angle to optimum the duty point. The solidity varies for a wider range of performance. All rotating aluminum components are X-ray examined to ensure quality and reliability. All propellers are statically and dynamically balanced to ISO 1940 and AMCA 204 balance quality grade level-G2.5.

Motors

Flowtech uses as standard closed squirrel cage motors with pad-mounting and airstream rated to IEC 34, if required also in accordance to EPACT. The standard motors have Class H and enclosure IP 54. Continuous operating ranges from -40 °C to +40 °C, other operating conditions on demand. Multi speed versions with 2 or 3 speeds, TAB- or DUAL-wounded are also available. The motor bearings have L 10 (or L 50) life design. All motors are can be manufactured to correspond to F200, F300 or F400 requirements for smoke-extract application.

Forms of running

Flowtech-Axial flow fans are available for all forms of running. The chart information shows all standard forms of running, please indicate when ordering. Performance for form of running “D” are not certified by AMCA International. Form of running is especially relevant when weather proof motors are required.



Arrows indicating correct rotating and direction of airflow are mounted on the outside of the fan case.

Dimensions (Unit: mm)

Feet mounting

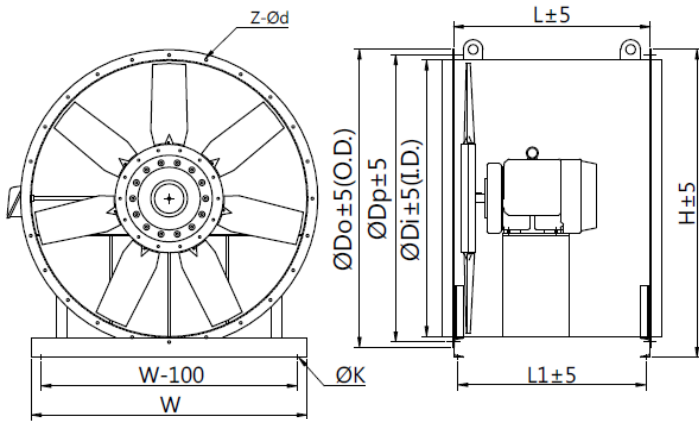


Fig. 1

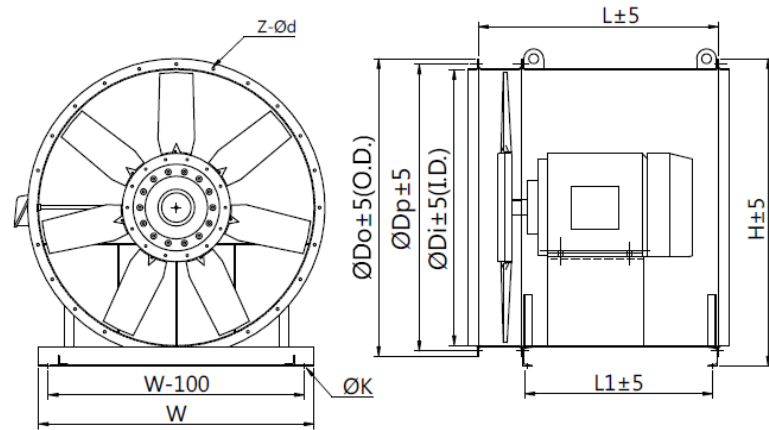


Fig. 2

Fan Size	Di	Dp	Do	Z x d	L	L1	W	K	H	Max. Motor Frame size	Fig. No.
1600	1600	1660	1710	16x14	1000	942	1600	22	1759	≤225S	Fig. 1
1600	1600	1660	1710	16x14	1220	942	1600	22	1759	<280M	Fig. 2

Ceiling Hanging

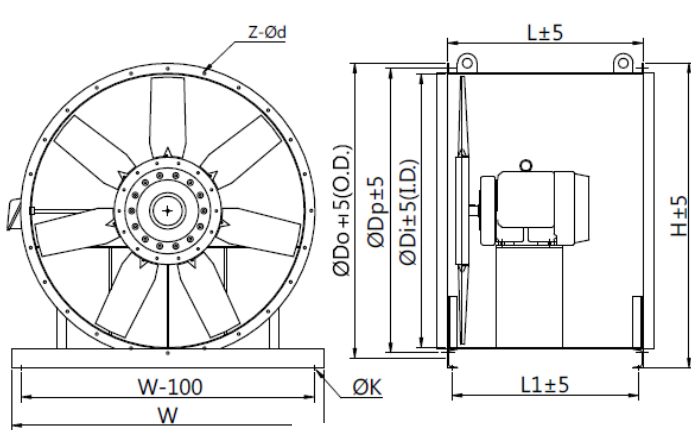


Fig. 3

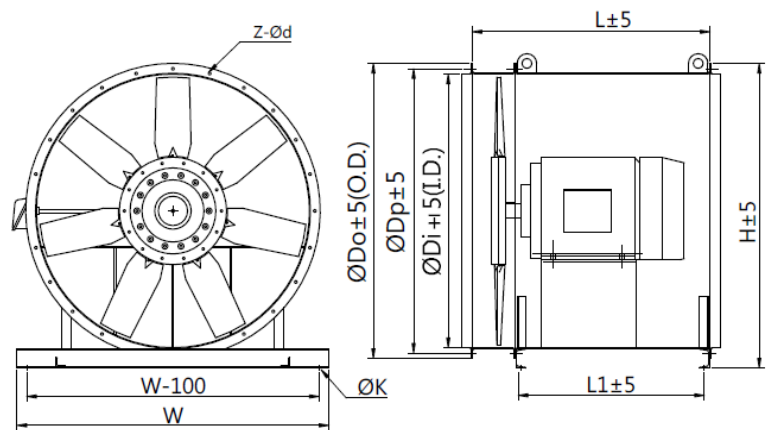


Fig. 4

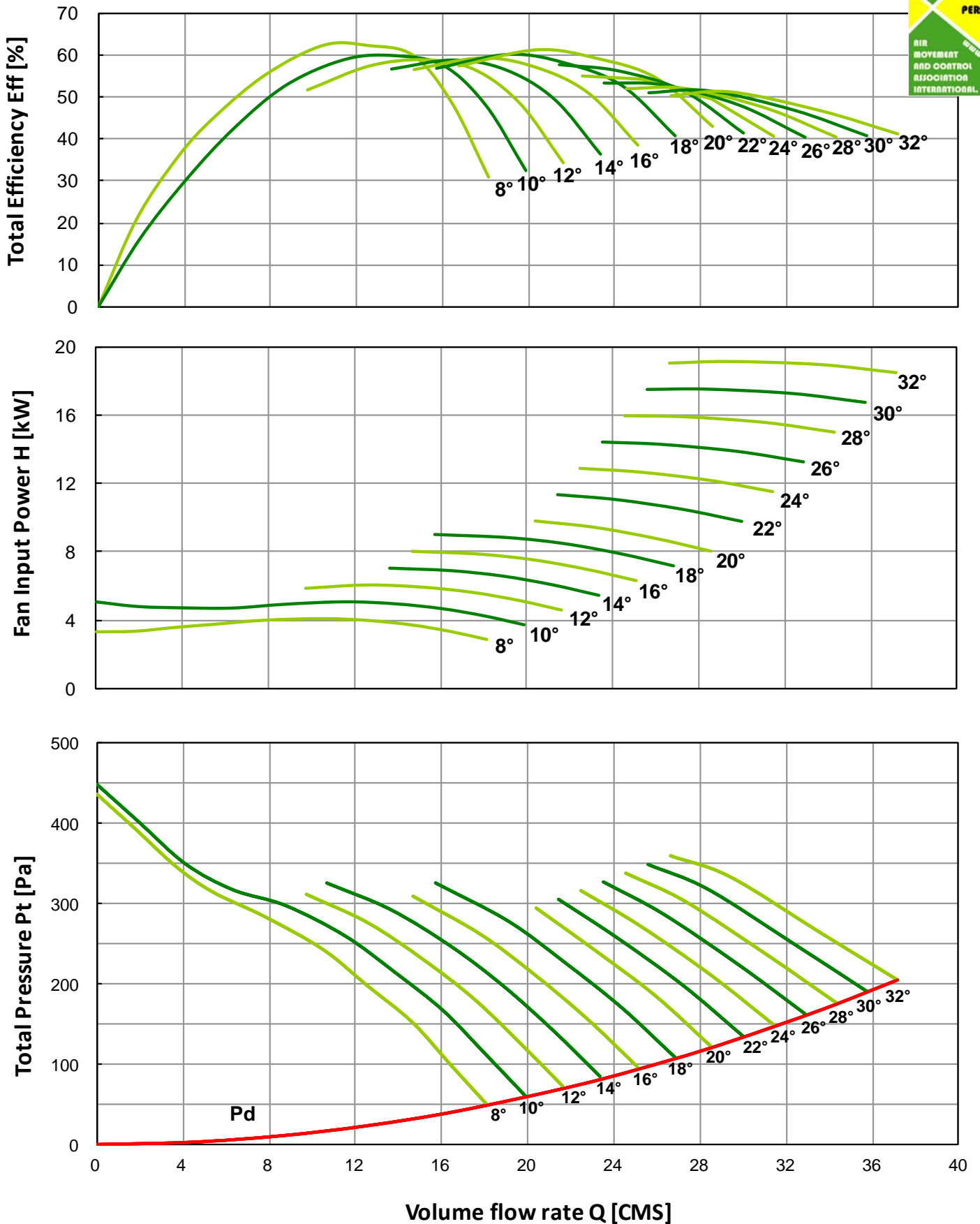
Fan Size	Di	Dp	Do	Z x d	L	L1	W	K	H	Max. Motor Frame size	Fig. No.
1600	1600	1660	1710	16x14	1000	942	1800	22	1759	≤225S	Fig. 3
1600	1600	1660	1710	16x14	1220	942	1800	22	1759	<280M	Fig. 4

LASD-1600-550-7 (50 Hz) Performance Curves

FEG 63



Fan Speed $N = 720$ [rpm] Outlet Area $A = 2.011$ [m²] $\rho = 1.2$ kg/m³



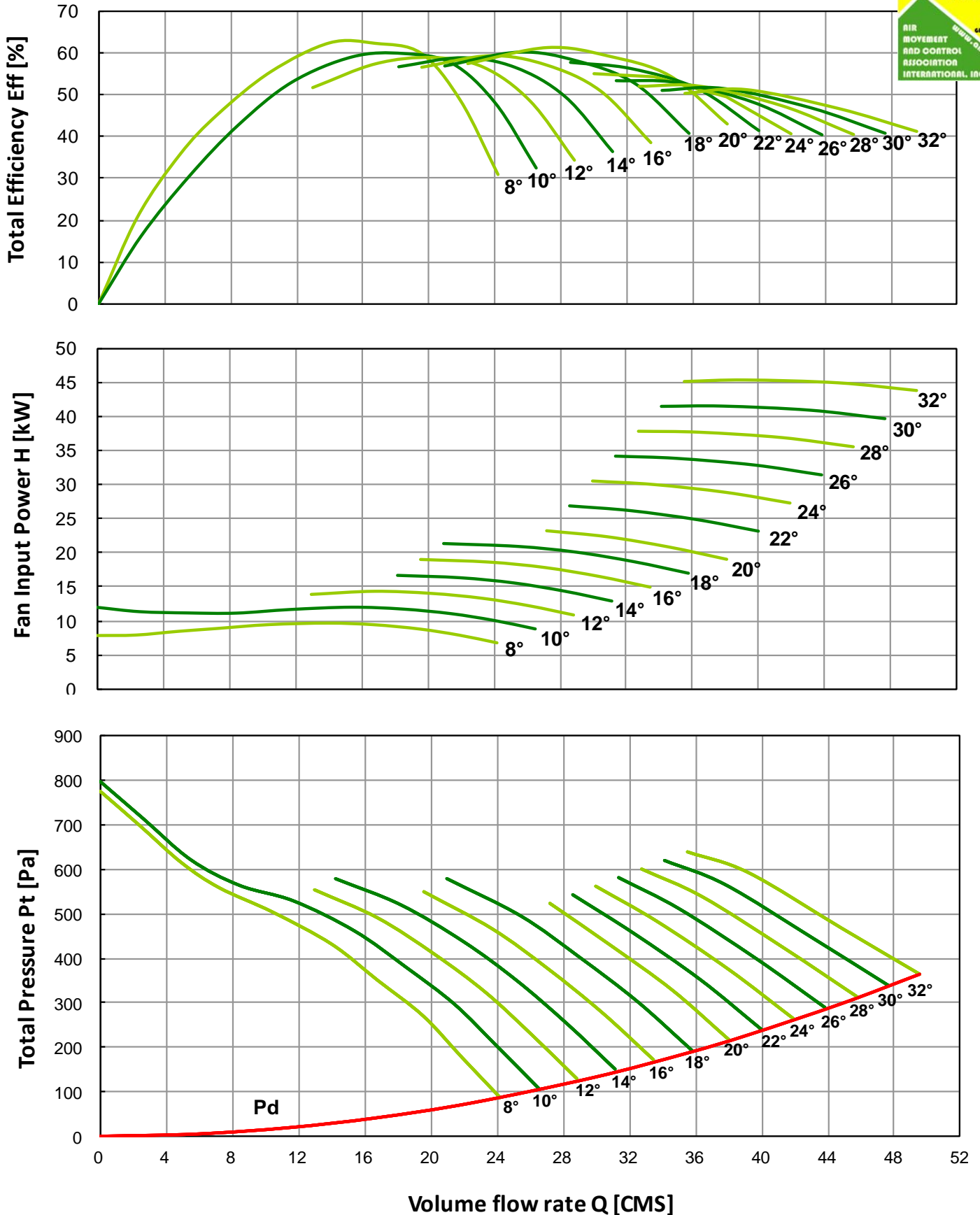
Performance certified is for installation type A: free inlet, free outlet. Performance ratings do not include the effects of appurtenances (accessories).

LASD-1600-550-7 (50 Hz) Performance Curves

FEG 63



Fan Speed $N = 960$ [rpm] Outlet Area $A = 2.011$ [m²] $\rho = 1.2$ kg/m³



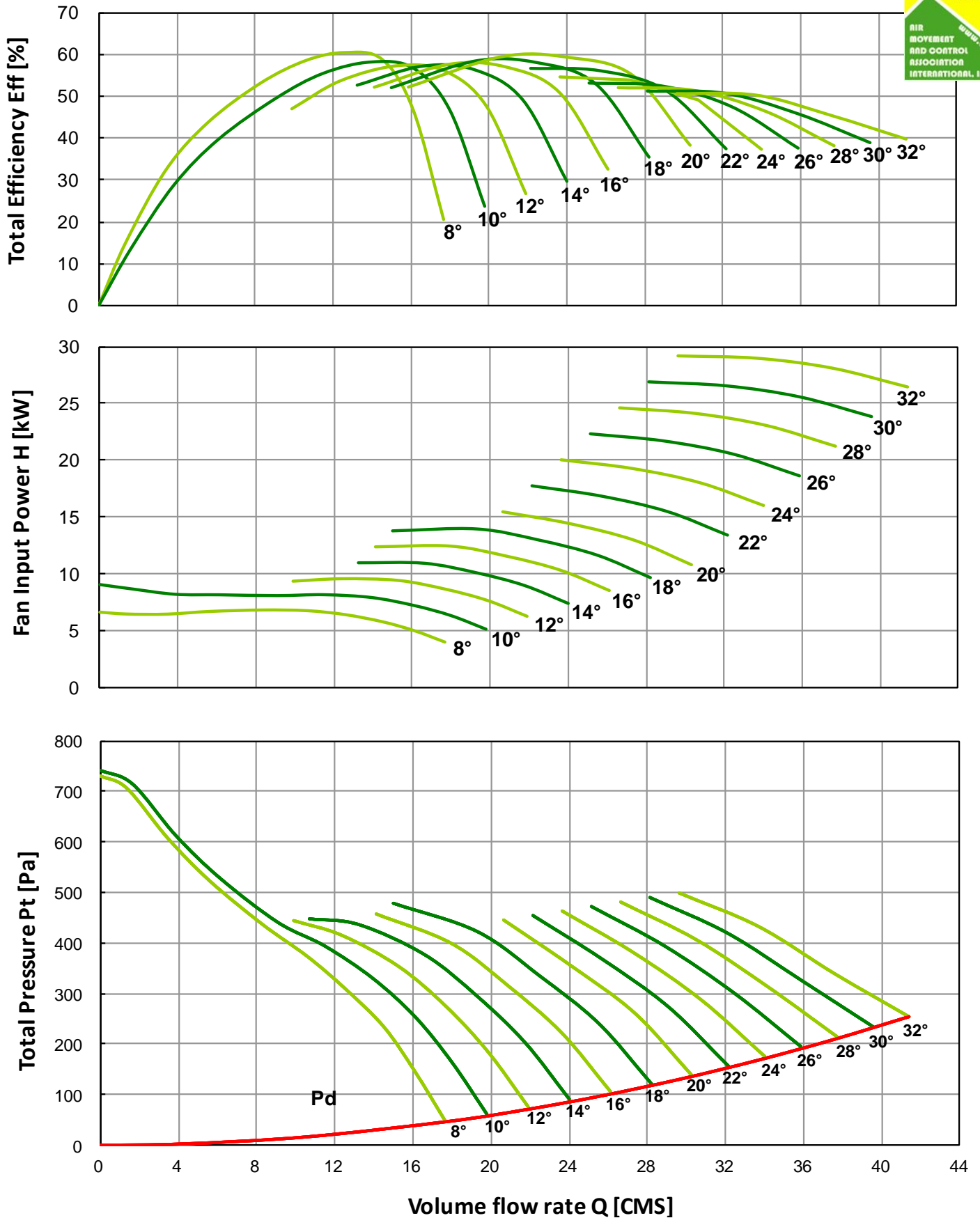
Performance certified is for installation type A: free inlet, free outlet. Performance ratings do not include the effects of **appurtenances** (accessories).

LASD-1600-550-14 (50 Hz) Performance Curves

FEG 63



Fan Speed N = 720 [rpm] Outlet Area A = 2.011 [m²] ρ = 1.2kg/m³



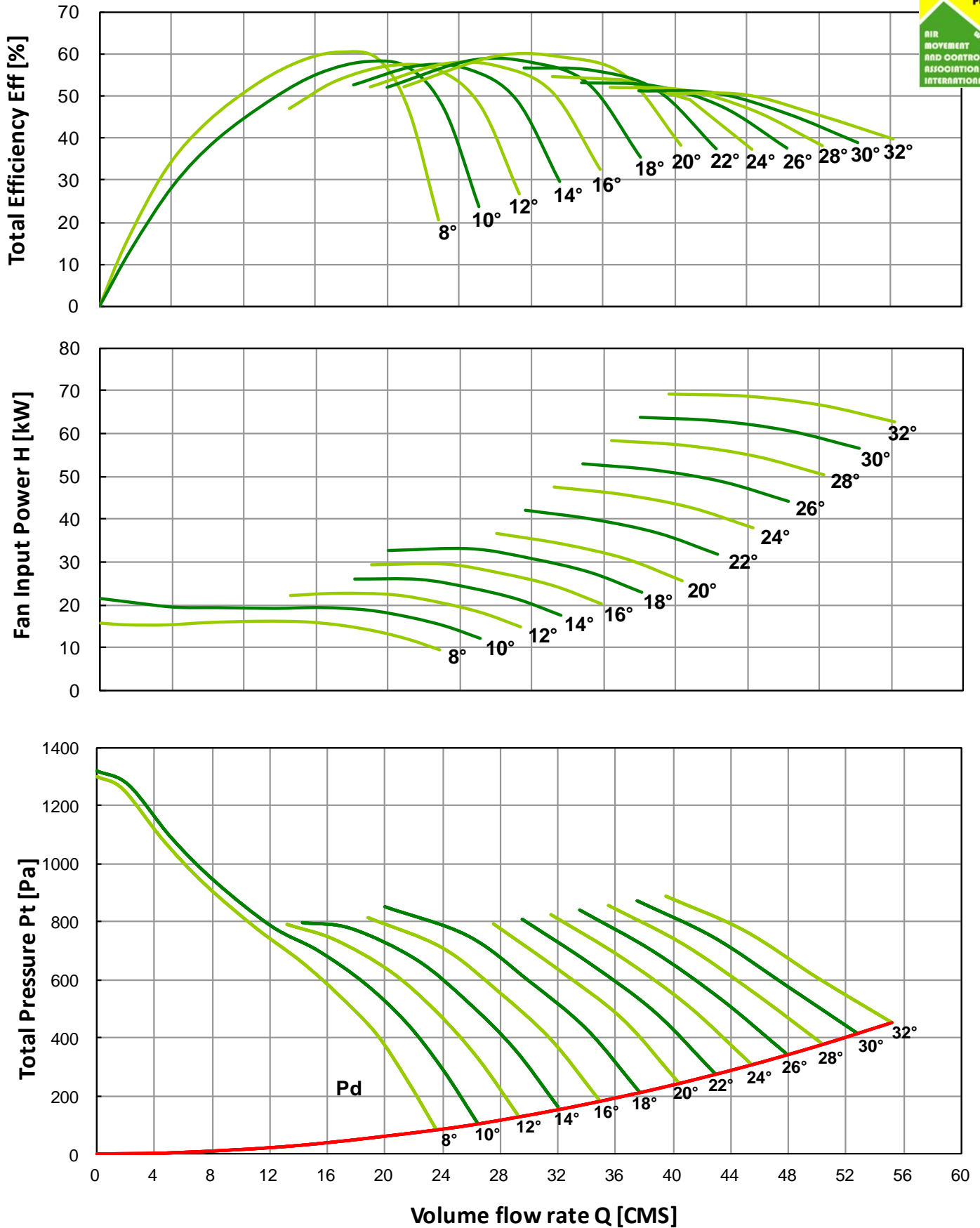
Performance certified is for installation type A: free inlet, free outlet. Performance ratings do not include the effects of appurtenances (accessories).

LASD-1600-550-14 (50 Hz) Performance Curves

FEG 63



Fan Speed $N = 960$ [rpm] Outlet Area $A = 2.011$ [m²] $\rho = 1.2$ kg/m



Performance certified is for installation type A: free inlet, free outlet. Performance ratings do not include the effects of **appurtenances** (accessories).

LASD-1600-550 (50 Hz) Sound Data[dB]



Model No.	N [RPM]	Ps [Pa]	Sound Power re 10 ⁻¹² Watts Octave Band [Hz]								LwoA [dB]
			63	125	250	500	1000	2000	4000	8000	
LASD-1600-550-7/8°	720	0	99	100	100	97	93	93	85	75	100
LASD-1600-550-7/8°	720	139	97	97	98	97	94	93	85	76	100
LASD-1600-550-7/8°	720	277	98	100	98	94	91	88	84	80	97
LASD-1600-550-7/8°	720	416	97	100	100	97	95	92	88	85	100
LASD-1600-550-7/20°	720	0	104	104	104	100	96	92	86	81	102
LASD-1600-550-7/20°	720	139	103	102	102	99	95	91	87	84	101
LASD-1600-550-7/20°	720	277	102	101	102	100	96	93	89	85	102
LASD-1600-550-7/20°	720	416	109	108	105	101	97	93	89	84	103
LASD-1600-550-7/32°	720	0	106	107	106	103	99	95	91	88	105
LASD-1600-550-7/32°	720	139	106	106	105	102	98	95	91	88	104
LASD-1600-550-7/32°	720	277	111	109	106	101	97	92	87	82	103
LASD-1600-550-7/32°	720	416	112	110	108	104	100	95	90	85	106
LASD-1600-550-7/8°	960	0	105	106	106	105	101	98	96	84	107
LASD-1600-550-7/8°	960	247	103	103	103	104	102	99	96	86	107
LASD-1600-550-7/8°	960	493	104	105	106	102	98	96	92	88	105
LASD-1600-550-7/8°	960	740	103	104	107	105	102	100	96	93	108
LASD-1600-550-7/20°	960	0	110	110	110	109	104	100	95	89	110
LASD-1600-550-7/20°	960	247	109	109	108	107	103	99	95	91	109
LASD-1600-550-7/20°	960	493	108	108	108	107	104	100	97	93	109
LASD-1600-550-7/20°	960	740	115	115	113	109	105	101	96	92	111
LASD-1600-550-7/32°	960	0	113	113	113	111	107	103	99	96	113
LASD-1600-550-7/32°	960	247	112	112	112	110	105	103	99	95	112
LASD-1600-550-7/32°	960	493	117	117	114	110	105	101	95	91	112
LASD-1600-550-7/32°	960	740	119	118	115	112	108	103	98	94	114

The sound power level ratings shown are in decibels referred to 10⁻¹² watts, calculated per AMCA International Standard 301. The A-weighted sound ratings shown have been calculated per AMCA International Standard 301. Values shown are for outlet Lwo and LwoA sound power levels for installation Type A: free inlet, free outlet.

LASD-1600-550 (50 Hz) Sound Data[dB]



Model No.	N [RPM]	Ps [Pa]	Sound Power re 10 ⁻¹² Watts Octave Band [Hz]								L _w oA [dB]
			63	125	250	500	1000	2000	4000	8000	
LASD-1600-550-14/8°	720	0	88	104	102	99	95	94	87	78	101
LASD-1600-550-14/8°	720	123	86	101	100	98	96	95	88	78	101
LASD-1600-550-14/8°	720	247	85	101	100	99	97	94	86	77	102
LASD-1600-550-14/8°	720	370	87	101	101	98	95	91	85	78	100
LASD-1600-550-14/20°	720	0	100	109	107	103	99	96	88	80	105
LASD-1600-550-14/20°	720	123	96	108	106	102	98	94	88	81	104
LASD-1600-550-14/20°	720	247	96	107	105	102	98	94	88	83	104
LASD-1600-550-14/20°	720	370	96	107	105	103	99	94	89	84	105
LASD-1600-550-14/32°	720	0	105	111	110	107	101	97	91	87	108
LASD-1600-550-14/32°	720	123	104	110	109	105	100	96	92	88	107
LASD-1600-550-14/32°	720	246	103	108	108	105	99	96	92	89	106
LASD-1600-550-14/32°	720	369	103	109	108	105	99	96	92	89	106
LASD-1600-550-14/8°	960	0	95	99	110	106	103	100	97	88	109
LASD-1600-550-14/8°	960	219	92	96	108	104	103	102	98	89	108
LASD-1600-550-14/8°	960	438	91	95	107	105	104	102	96	87	109
LASD-1600-550-14/8°	960	658	93	97	107	106	103	99	94	87	108
LASD-1600-550-14/20°	960	0	106	108	115	111	107	103	98	89	113
LASD-1600-550-14/20°	960	219	102	106	114	110	106	102	97	90	112
LASD-1600-550-14/20°	960	438	102	105	113	109	106	102	97	92	111
LASD-1600-550-14/20°	960	658	102	104	112	110	107	103	97	93	112
LASD-1600-550-14/32°	960	0	111	111	117	116	109	105	99	96	116
LASD-1600-550-14/32°	960	218	110	110	115	114	107	104	100	96	114
LASD-1600-550-14/32°	960	437	110	110	115	113	107	104	100	96	114
LASD-1600-550-14/32°	960	655	109	109	115	113	107	104	100	96	113

The sound power level ratings shown are in decibels referred to 10⁻¹² watts, calculated per AMCA International Standard 301. The A-weighted sound ratings shown have been calculated per AMCA International Standard 301. Values shown are for outlet L_wo and L_woA sound power levels for installation Type A: free inlet, free outlet.