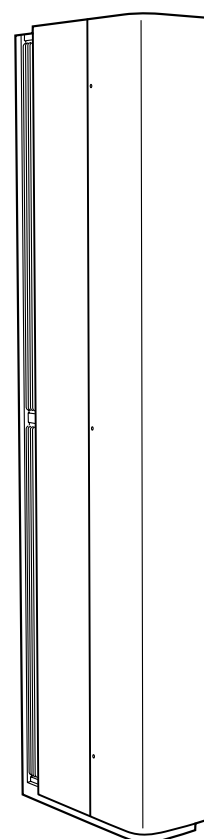
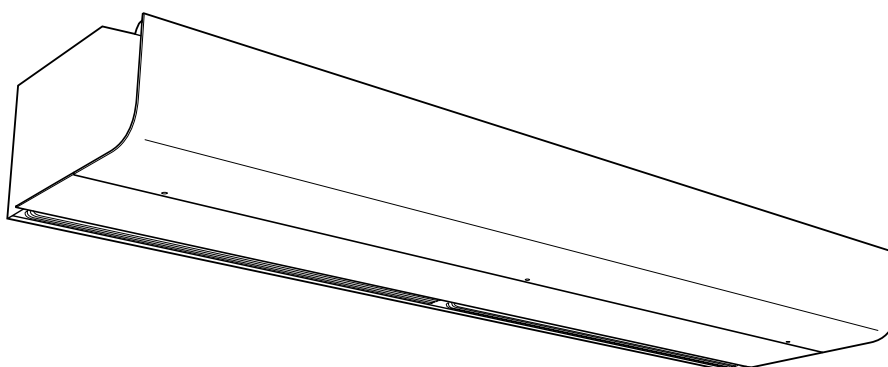


Original instructions PAEC4000



EN ... 23

FR ... 28

ES ... 35



Frico AB certifies that PAEC4000W, PAEC4000E and PAEC4000A shown herein are licensed to bear the AMCA Seal. The ratings shown are based on tests and procedures performed in accordance with AMCA Publication 211 and AMCA Publication 311 and comply with the requirements of the AMCA Certified Ratings Program. The AMCA Certified Ratings Seal applies to airflow rate, average outlet velocity, outlet velocity uniformity, velocity projection and power rating at free delivery only.

Metric chart

☼ Ambient, no heat - PAEC4000A (IP21)

Type	Output [kW]	Airflow* ¹ [m ³ /h]	Sound power* ² [dB(A)]	Motor power [W]	Voltage motor [V]	Amperage motor [A]	Weight [kg]
PAEC4010A-NA	0	2330	80	500	208V1~	3.0	38
PAEC4015A-NA	0	3270	81	673	208V1~	4.5	49
PAEC4020A-NA	0	4650	82	1000	208V1~	6.0	64
PAEC4025A-NA	0	5600	83	1173	208V1~	7.5	78

⚡ Electrical heat - PAEC4000E (IP20)

Type	Output steps [kW]	Airflow* ¹ [m ³ /h]	Sound power* ² [dB(A)]	FLA (full load amperage)* ³ [A]	Motor power [W]	Amperage motor [A]	Voltage [V] Amperage [A] (heat)	Weight [kg]
PAEC4010E10-208VNA	4/10	2330	80	31	500	3.0	208V3~/27	42
PAEC4015E15-208VNA	5/15	3270	81	45	673	4.5	208V3~/40	57
PAEC4020E20-208VNA	7/20	4650	82	60	1000	6.0	208V3~/54	78
PAEC4010E12-480VNA	4/12	2330	80	18	500	3.0	480V3~/15	47
PAEC4015E18-480VNA	6/18	3270	81	27	673	4.5	480V3~/22	62
PAEC4020E24-480VNA	8/24	4650	82	35	1000	6.0	480V3~/29	84
PAEC4025E30-480VNA	10/30	5600	83	45	1173	7.5	480V3~/37	106
PAEC4010E12-600VNA	4/12	2330	80	15	500	3.0	600V3~/12	47
PAEC4015E18-600VNA	6/18	3270	81	23	673	4.5	600V3~/18	62
PAEC4020E24-600VNA	8/24	4650	82	30	1000	6.0	600V3~/24	84
PAEC4025E30-600VNA	10/30	5600	83	38	1173	7.5	600V3~/30	106

💧 Water heat - PAEC4000W (IP21)

Type	Output* ⁴ [kW]	Airflow* ¹ [m ³ /h]	Sound power* ² [dB(A)]	Motor power [W]	Voltage motor [V]	Amperage motor [A]	Water volume [l]	Weight [kg]
PAEC4010W-NA	16	2130	79	501	208V1~	3.0	1.9	45
PAEC4015W-NA	25	3100	79	666	208V1~	4.0	3.0	56
PAEC4020W-NA	35	4250	81	1002	208V1~	6.0	4.1	74
PAEC4025W-NA	44	5250	81	1167	208V1~	7.0	5.2	96

*¹) Highest airflow of totally 5 fan steps.

*²) Values shown are for total sound power levels for Installation Type A: free inlet, free outlet. The Sound power level ratings shown are in decibels, referred to 10-12 watts, calculated per AMCA Standard 301.

*³) FLA: total amperage for motor and heat.

*⁴) Applicable at water temperature 60/40 °C, air temperature, in +18 °C.

Above table is valid for 208V/1ph/60Hz. Also approved for 230V/1ph/60Hz. Product performance for 230V/1ph/60Hz will differ from stated data.

Protection class for units with electrical heating: IP20.

Protection class for units without heating and units with water heating: IP21.

CE compliant.

PAEC4000

Type	Nozzle depth and width [mm]	Max velocity at nozzle [m/s]	Outlet velocity [m/s]	Outlet velocity uniformity [%]
PAEC4010A-NA/PAEC4010Exx	960x70	15.92	13.90	89
PAEC4015A-NA/PAEC4015Exx	1470x70	15.51	13.54	87
PAEC4020A-NA/PAEC4020Exx	1960x70	15.92	13.90	89
PAEC4025A-NA/PAEC4025Exx	2470x70	15.72	13.72	88
PAEC4010W-NA	960x70	12.86	11.50	85
PAEC4015W-NA	1470x70	15.21	12.71	87
PAEC4020W-NA	1960x70	12.86	11.50	85
PAEC4025W-NA	2470x70	14.04	12.11	86

Velocity projection: Model PAEC4010E/A-NA

Distance from nozzle [mm]	70	500	1000
Core velocity [m/s]	13.9	9	6.73
Uniformity [%]	89	84	78

Velocity projection: Model PAEC4010W-NA

Distance from Nozzle [mm]	70	500	1000
Core Velocity [m/s]	11.5	7.89	5.93
Uniformity [%]	85	88	84



Frico AB certifies that PAEC4000W, PAEC4000E and PAEC4000A shown herein are licensed to bear the AMCA Seal. The ratings shown are based on tests and procedures performed in accordance with AMCA Publication 211 and AMCA Publication 311 and comply with the requirements of the AMCA Certified Ratings Program. The AMCA Certified Ratings Seal applies to airflow rate, average outlet velocity, outlet velocity uniformity, velocity projection and power rating at free delivery only.

Imperial chart

☼ Ambient, no heat - PAEC4000A (IP21)

Type	Output [MBH]	Airflow* ¹ [cfm]	Sound power* ² [dB(A)]	Motor power [W]	Voltage motor [V]	Amperage motor [A]	Weight [lb]
PAEC4010A-NA	0	1400	80	500	208V1~	3.0	84
PAEC4015A-NA	0	1950	81	673	208V1~	4.5	108
PAEC4020A-NA	0	2800	82	1000	208V1~	6.0	141
PAEC4025A-NA	0	3300	83	1173	208V1~	7.5	172

⚡ Electrical heat - PAEC4000E (IP20)

Type	Output steps [MBH]	Airflow* ¹ [cfm]	Sound power* ² [dB(A)]	FLA (full load amperage)* ³ [A]	Motor power [W]	Amperage motor [A]	Voltage [V] Amperage [A] (heat)	Weight [lb]
PAEC4010E10-208VNA	14/34	1400	80	31	500	3.0	208V3~/27	93
PAEC4015E15-208VNA	17/51	1950	81	45	673	4.5	208V3~/40	126
PAEC4020E20-208VNA	24/68	2800	82	60	1000	6.0	208V3~/54	172
PAEC4010E12-480VNA	14/41	1400	80	18	500	3.0	480V3~/15	104
PAEC4015E18-480VNA	20/61	1950	81	27	673	4.5	480V3~/22	137
PAEC4020E24-480VNA	27/82	2800	82	35	1000	6.0	480V3~/29	185
PAEC4025E30-480VNA	34/102	3300	83	45	1173	7.5	480V3~/37	234
PAEC4010E12-600VNA	14/41	1400	80	15	500	3.0	600V3~/12	104
PAEC4015E18-600VNA	20/61	1950	81	23	673	4.5	600V3~/18	137
PAEC4020E24-600VNA	27/82	2800	82	30	1000	6.0	600V3~/24	185
PAEC4025E30-600VNA	34/102	3300	83	38	1173	7.5	600V3~/30	234

💧 Water heat - PAEC4000W (IP21)

Type	Output* ⁴ [MBH]	Airflow* ¹ [cfm]	Sound power* ² [dB(A)]	Motor power [W]	Voltage motor [V]	Amperage motor [A]	Water volume [US gal]	Weight [lb]
PAEC4010W-NA	55	1300	79	501	208V1~	3.0	0.49	99
PAEC4015W-NA	85	1900	79	666	208V1~	4.0	0.78	123
PAEC4020W-NA	119	2600	81	1002	208V1~	6.0	1.09	163
PAEC4025W-NA	150	3150	81	1167	208V1~	7.0	1.37	212

*¹) Highest airflow of totally 5 fan steps.

*²) Values shown are for total sound power levels for Installation Type A: free inlet, free outlet. The Sound power level ratings shown are in decibels, referred to 10-12 watts, calculated per AMCA Standard 301.

*³) FLA: total amperage for motor and heat.

*⁴) Applicable at water temperature 140/104F, air temperature, in +64F.

Above table is valid for 208V/1ph/60Hz. Also approved for 230V/1ph/60Hz. Product performance for 230V/1ph/60Hz will differ from stated data.

Protection class for units with electrical heating: IP20.

Protection class for units without heating and units with water heating: IP21.

CE compliant.

PAEC4000

Type	Nozzle depth and width [in]	Max velocity at nozzle [fpm]	Outlet velocity [fpm]	Outlet velocity uniformity [%]
PAEC4010A-NA/PAEC4010Exx	37.8x2.8	3133	2736	89
PAEC4015A-NA/PAEC4015Exx	57.9x2.8	3053	2665	87
PAEC4020A-NA/PAEC4020Exx	77.2x2.8	3133	2736	89
PAEC4025A-NA/PAEC4025Exx	97.2x2.8	3094	2700	88
PAEC4010W-NA	37.8x2.8	2531	2263	85
PAEC4015W-NA	57.9x2.8	2994	2501	87
PAEC4020W-NA	77.2x2.8	2531	2263	85
PAEC4025W-NA	97.2x2.8	2763	2328	86

Velocity projection: Model PAEC4010E/A-NA

Distance from Nozzle [in]	2.7	20	40
Core Velocity [fpm]	2736	1771	1324
Uniformity [%]	89	84	78

Velocity projection: Model PAEC4010W-NA

Distance from Nozzle [in]	2.7	20	40
Core Velocity [fpm]	2263	1553	1167
Uniformity [%]	85	88	84



Frico AB certifies that PAEC4000W, PAEC4000E and PAEC4000A shown herein are licensed to bear the AMCA Seal. The ratings shown are based on tests and procedures performed in accordance with AMCA Publication 211 and AMCA Publication 311 and comply with the requirements of the AMCA Certified Ratings Program. The AMCA Certified Ratings Seal applies to airflow rate, average outlet velocity, outlet velocity uniformity, velocity projection and power rating at free delivery only.

Output charts water PAEC4000

Metric chart

			Supply water temperature: 80 °C Room temperature: +18 °C Outlet air temperature: +35 °C*1				Water temperature: 80/60 °C Room temperature: +18 °C			
Type	Fan position	Airflow	Output	Return water temp.	Water flow	Pressure drop	Output*2	Outlet air temp.	Water flow	Pressure drop
		[m³/h]	[kW]	[°C]	[l/s]	[kPa]	[kW]	[°C]	[l/s]	[kPa]
PAEC4010W-NA	max	2600	14.9	31	0.07	2.7	28.4	50	0.35	40.5
PAEC4015W-NA	max	3400	19.3	29	0.09	1.6	40.2	53	0.49	30.6
PAEC4020W-NA	max	4850	28.3	30	0.14	1.6	56.6	53	0.69	26.9
PAEC4025W-NA	max	5250	30.6	27	0.14	2.0	65.5	55	0.80	42.0

			Supply water temperature: 60 °C Room temperature: +18 °C Outlet air temperature: +35 °C*1				Water temperature: 60/40 °C Room temperature: +18 °C			
Type	Fan position	Airflow	Output	Return water temp.	Water flow	Pressure drop	Output*2	Outlet air temp.	Water flow	Pressure drop
		[m³/h]	[kW]	[°C]	[l/s]	[kPa]	[kW]	[°C]	[l/s]	[kPa]
PAEC4010W-NA	max	2600	15.4	37	0.17	11.5	16.5	37	0.20	16.2
PAEC4015W-NA	max	3400	20.1	35	0.19	6.2	23.4	38	0.28	12.2
PAEC4020W-NA	max	4850	28.3	35	0.27	5.5	32.9	38	0.40	10.7
PAEC4025W-NA	max	5250	30.9	35	0.27	6.5	38.7	40	0.47	17.2

*1) Recommended outlet air temperature for good comfort and optimized output.

*2) Nominal output at given supply and return water temperature.

Imperial chart

			Supply water temperature: 176 °F Room temperature: +64 °F Outlet air temperature: +95 °F*1				Water temperature: 176/140 °F Room temperature: +64 °F			
Type	Fan position	Airflow	Output	Return water temp.	Water flow	Pressure drop	Output*2	Outlet air temp.	Water flow	Pressure drop
		[cfm]	[MBH]	[°F]	[US gal/h]	[kPa]	[MBH]	[°F]	[US gal/h]	[kPa]
PAEC4010W-NA	max	1530	50.9	88	69.4	2.7	96.9	122	330.0	40.5
PAEC4015W-NA	max	2000	65.9	84	86.6	1.6	137.2	127	466.1	30.6
PAEC4020W-NA	max	2855	96.6	86	130.3	1.6	193.2	127	657.2	26.9
PAEC4025W-NA	max	3090	104.4	81	133.2	2.0	223.5	131	760.9	42.0

			Supply water temperature: 140 °F Room temperature: +64 °F Outlet air temperature: +95 °F*1				Water temperature: 140/104 °F Room temperature: +64 °F			
Type	Fan position	Airflow	Output	Return water temp.	Water flow	Pressure drop	Output*2	Outlet air temp.	Water flow	Pressure drop
		[cfm]	[MBH]	[°F]	[US gal/h]	[kPa]	[MBH]	[°F]	[US gal/h]	[kPa]
PAEC4010W-NA	max	1530	52.6	99	156.9	11.5	56.3	99	190.2	16.2
PAEC4015W-NA	max	2000	68.6	95	183.6	6.2	79.9	100	269.2	12.2
PAEC4020W-NA	max	2855	96.6	95	257.8	5.5	112.3	100	379.5	10.7
PAEC4025W-NA	max	3090	105.5	95	257.8	6.5	132.1	104	447.0	17.2

*1) Recommended outlet air temperature for good comfort and optimized output.

*2) Nominal output at given supply and return water temperature.



The introduction pages consist mainly of pictures. For translation of the English texts used, see the respective language pages.

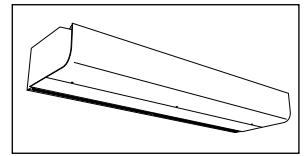


Les pages de présentation contiennent principalement des images. Pour la traduction des textes en anglais, consultez la page correspondante à la langue souhaitée.

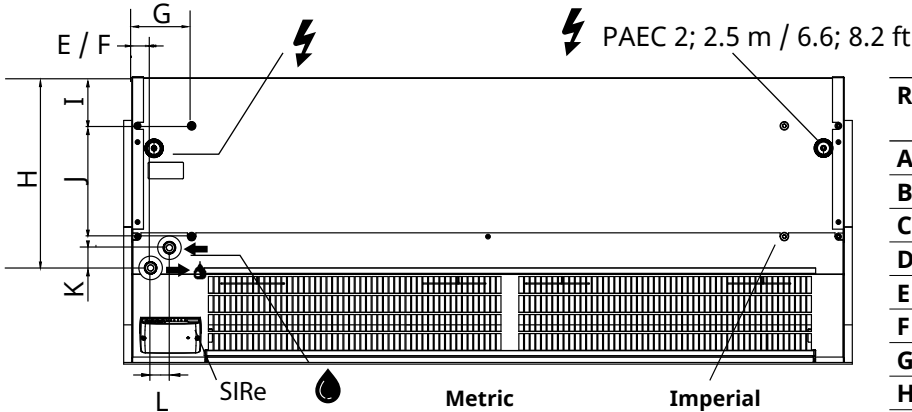
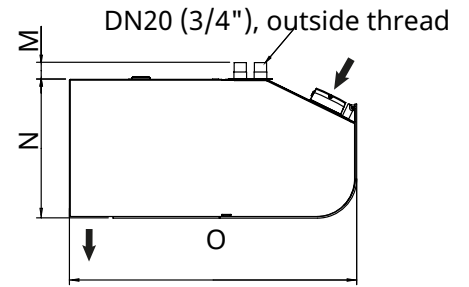
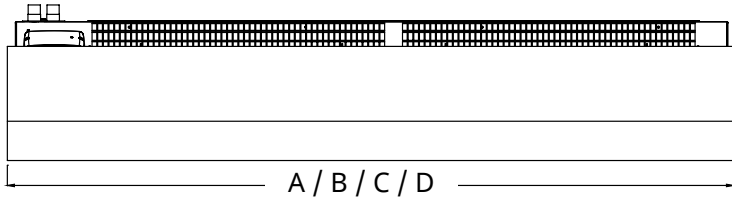


Las páginas introductorias contienen básicamente imágenes. Consulte la traducción de los textos en inglés que las acompañan en las páginas del idioma correspondiente.

PAEC4000

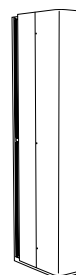
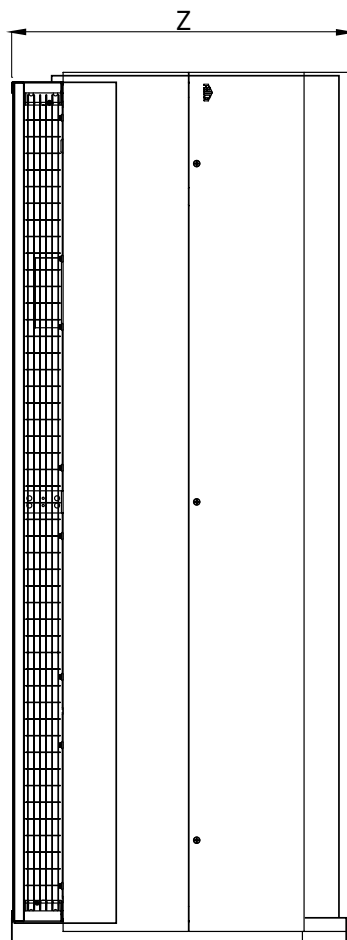
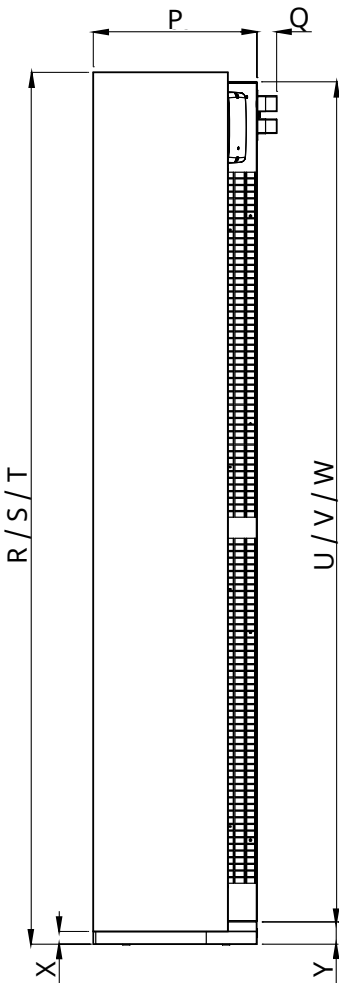


PAEC4000



Ref	Metric [mm]	Imperial [in]	Product type
A	1039	41.56	PAEC4010x
B	1549	61.96	PAEC4015x
C	2039	81.56	PAEC4020x
D	2549	101.96	PAEC4025x
E	40	1.60	PAEC4010/15/20x
F	39	1.56	PAEC4025x
G	127	5.08	
H	404	16.16	
I	102	4.08	
J	235	9.40	
K	43	1.72	
L	40	1.60	
M	36	1.44	
N	295	11.80	
O	611	24.44	
P	295	11.80	
Q	36	1.44	
R	1572	62.88	PAEC4015x
S	2062	82.48	PAEC4020x
T	2572	102.88	PAEC4025x
U	1515	60.60	PAEC4015x
V	2004	80.16	PAEC4020x
W	2515	100.60	PAEC4025x
X	23	0.92	
Y	40	1.60	
Z	611	24.44	

	Metric	Imperial
1 m:	4 x M8	3.3 ft: 4 x M8
1.5 m:	4 x M8	4.9 ft: 4 x M8
2 m:	6 x M8	6.6 ft: 6 x M8
2.5 m:	6-8 x M8	8.2 ft: 6-8 x M8



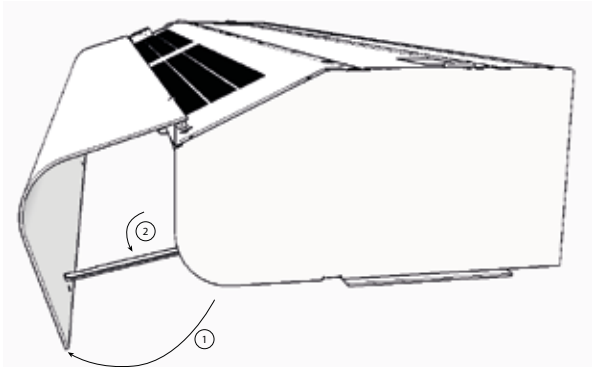


Fig. 1A: Open the unit by raising the front panel. The front is blocked in open position with the front hatch hook.

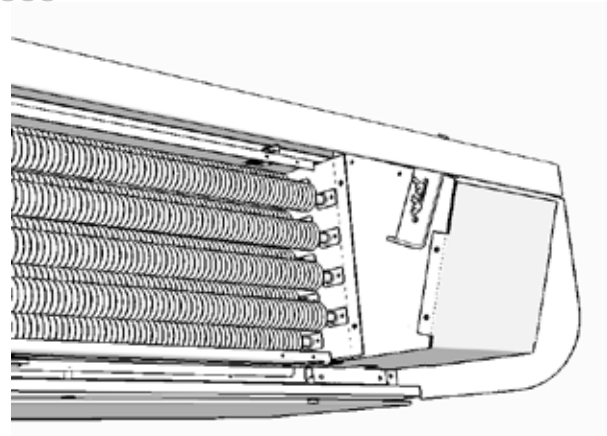


Fig. 1B: When the front has been removed it is important to be sure it is firmly seated in the front locks again.

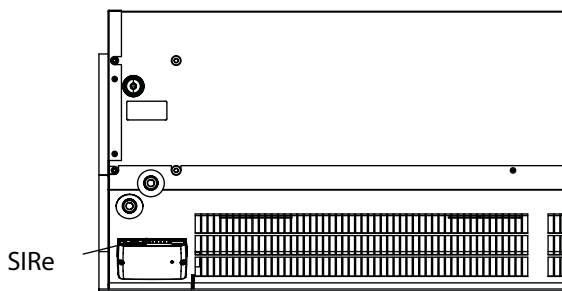


Fig. 2: Control card SIRe is integrated in the air curtain at delivery.

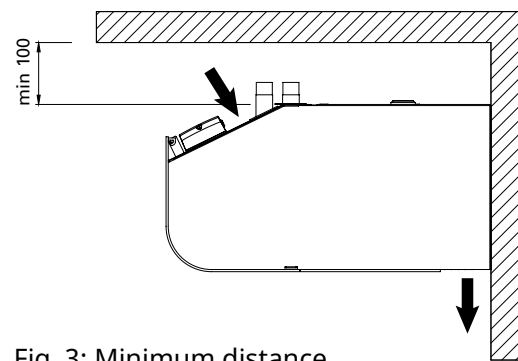


Fig. 3: Minimum distance.

Filling the water coil

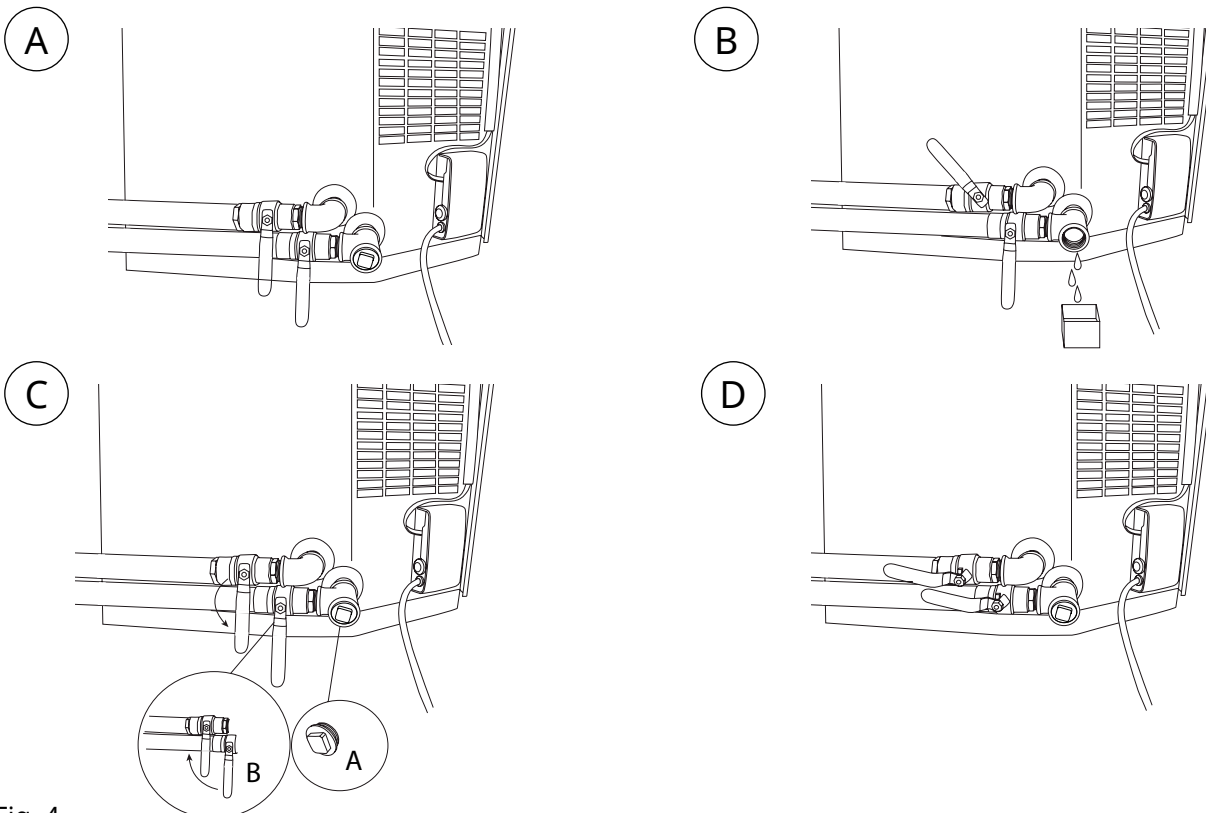
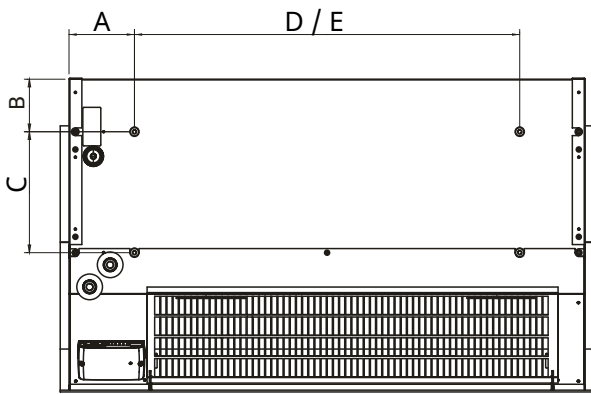


Fig. 4

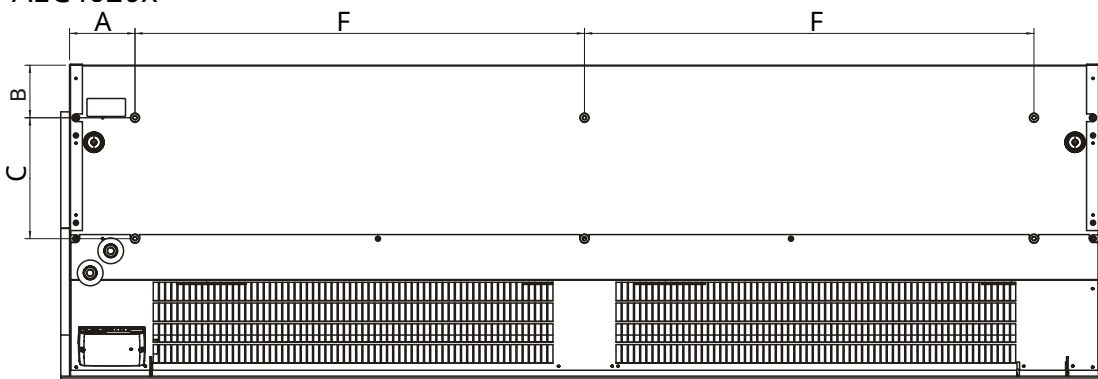
PAEC4000

PAEC4010x/PAEC4015x



Ref	Metric [mm]	Imperial [in]	Product type
A	127	5.08	PAEC4010/15/20/25x
B	102	4.08	PAEC4010/15/20/25x
C	235	9.40	PAEC4010/15/20/25x
D	750	30.00	PAEC4010x
E	1260	50.40	PAEC4015x
F	875	35.00	PAEC4020x
G	745	29.80	PAEC4025x
H	770	30.80	PAEC4025x

PAEC4020x



PAEC4025x

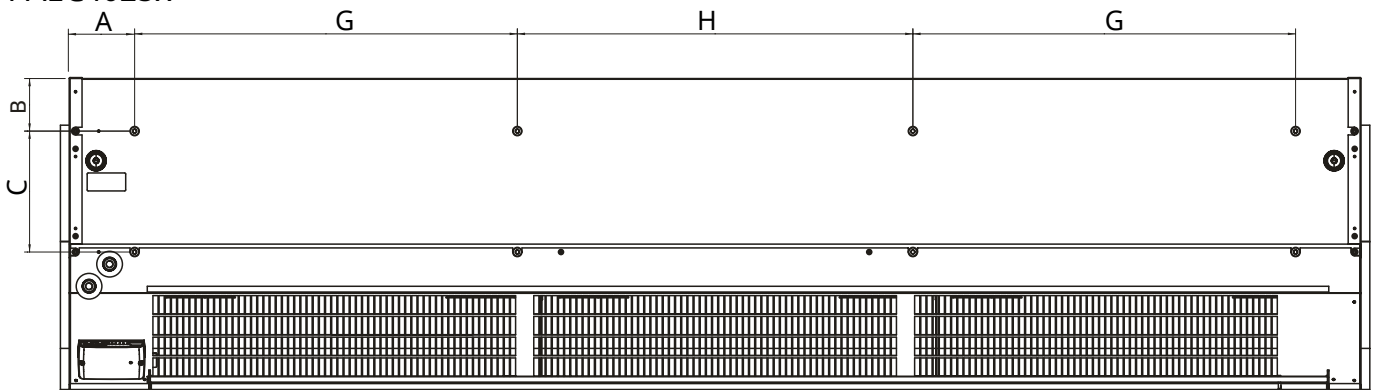
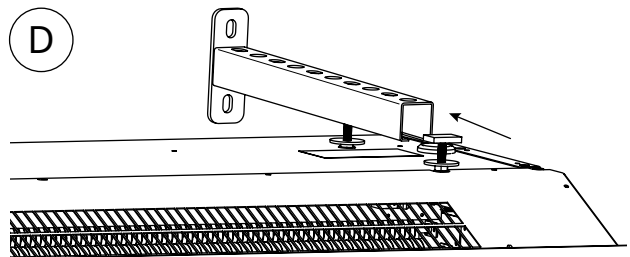
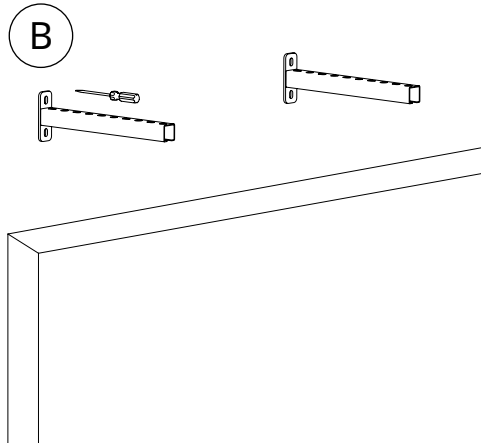
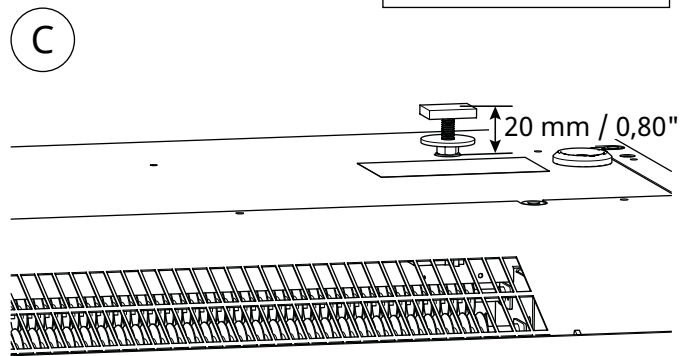
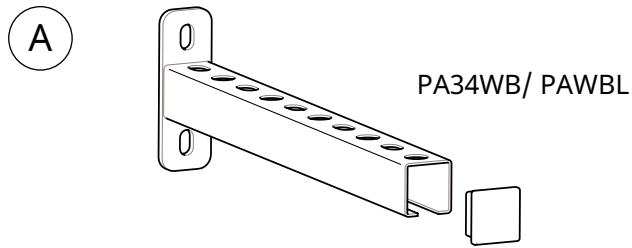
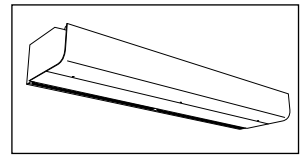


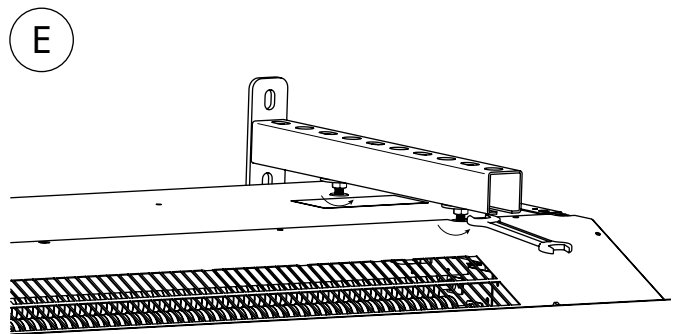
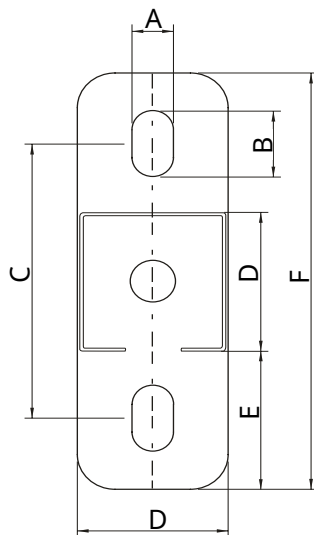
Fig. 5: M8-holes for mounting.

PAEC4000 + PA34WB/PAWBL



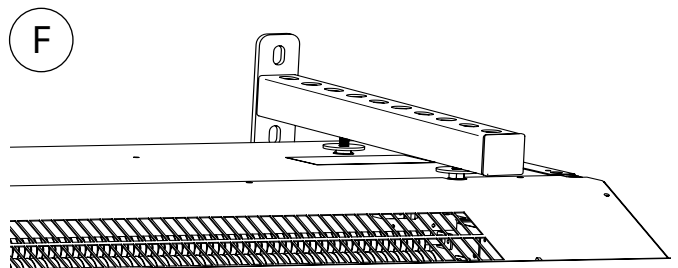
PA34WB

Ref	Metric [mm]	Imperial [in]
A	11	0.43
B	19	0.75
C	80	3.15
D	40	1.58
E	40	1.58
F	120	4.72



PAWBL

Ref	Metric [mm]	Imperial [in]
A	11	0.43
B	19	0.75
C	120	4.72
D	60	2.36
E	52.5	2.07
F	165	6.50



Type	Product type	Quantity included	Length Metric [mm]	Length Imperial [in]	Fig.
PA34WB15	PAEC4015x	2 pcs	400	15.75	Fig. 6
PA34WB20	PAEC4020x	3 pcs	400	15.75	Fig. 6
PA34WB30	PAEC4025x	4 pcs	400	15.75	Fig. 6
PAWBL15	PAEC4015x	2 pcs	560	22.05	Fig. 6
PAWBL20	PAEC4020x	3 pcs	560	22.05	Fig. 6
PAWBL30	PAEC4025x	4 pcs	560	22.05	Fig. 6

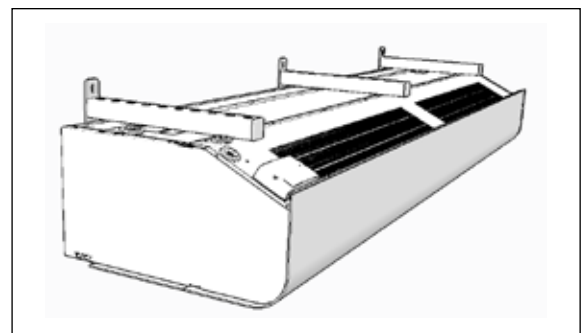


Fig. 6: See separate manual for PA34WB/PAWBL.

PAEC4000

Accessories

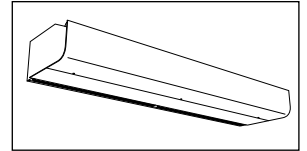
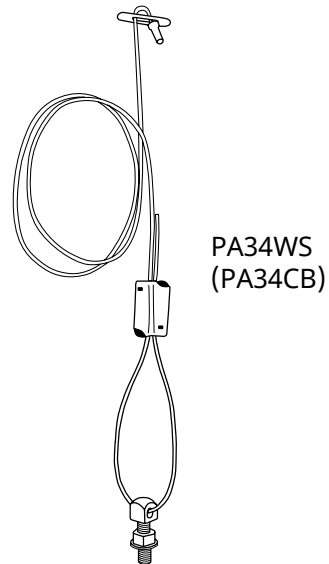
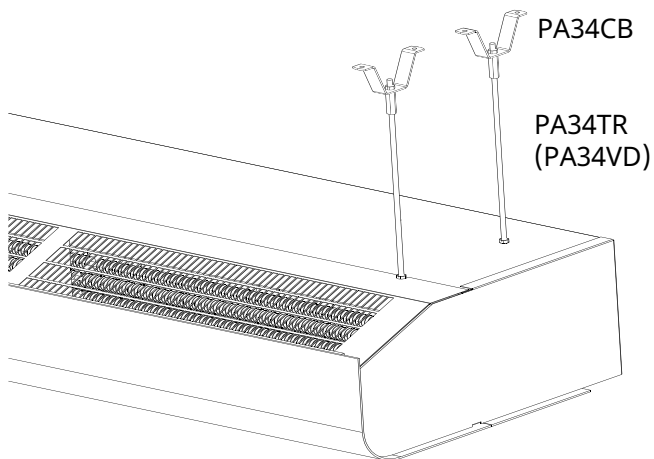


Fig. 7: PA34TR + PA34CB + PA34VD.
See separate manual for PA34TR.

Fig.8: PA34WS + PA34CB
See separate manual for PA34WS.

Type	Product type	Quantity included	Length Metric	Length Imperial
PA34CB15	PAEC4010/15x	4 pcs		
PA34CB20	PAEC4020x	6 pcs		
PA34CB30	PAEC4025x	8 pcs		
PA34WS15	PAEC4010/15x	4 pcs	3 m	9.8 ft
PA34WS20	PAEC4020x	6 pcs	3 m	9.8 ft
PA34WS30	PAEC4025x	8 pcs	3 m	9.8 ft
PA34TR15	PAEC4010/15x	4 pcs	1 m	3.3 ft
PA34TR20	PAEC4020x	6 pcs	1 m	3.3 ft
PA34TR30	PAEC4025x	8 pcs	1 m	3.3 ft
PA34VD15	PAEC4010/15x	4 pcs		
PA34VD20	PAEC4020x	6 pcs		
PA34VD30	PAEC4025x	8 pcs		

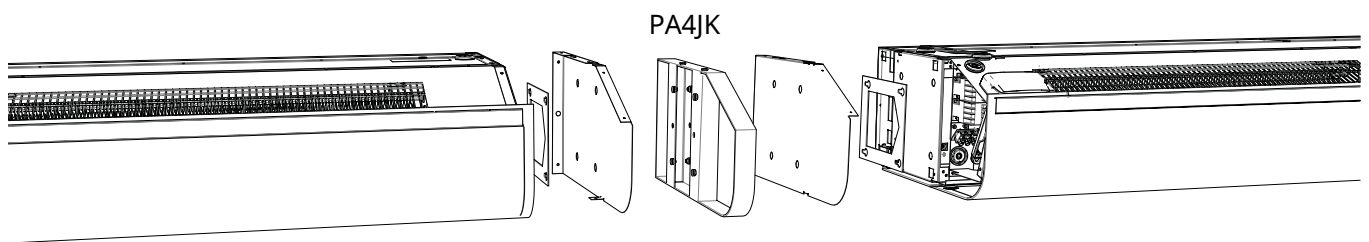


Fig. 9: See separate manual for PA4JK.

Type	Product type
PA4JK	PAEC4000

Accessories

Type	Product type	Length Metric [mm]	Length Imperial [in]
PA4XT10	PAEC4010x	130-200	5.20-8.00
PA4XT15	PAEC4015x	130-200	5.20-8.00
PA4XT20	PAEC4020x	130-200	5.20-8.00
PA4XT25	PAEC4025x	130-200	5.20-8.00

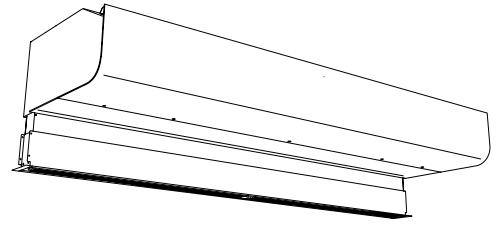
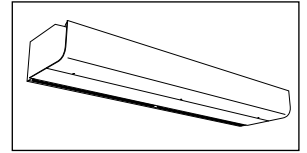
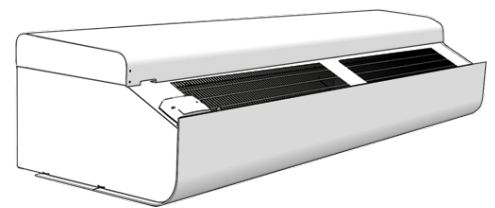


Fig. 10: See separate manual for PA4XT.

Type	Product type	Dimensions Metric [mm]	Dimensions Imperial [in]
PA4DW10	PAEC4010x	87x424x1006	3.48x16.96x40.24
PA4DW15	PAEC4015x	87x424x1516	3.48x16.96x60.64
PA4DW20	PAEC4020x	87x424x2006	3.48x16.96x80.24
PA4DW25	PAEC4025x	87x424x2516	3.48x16.96x100.64

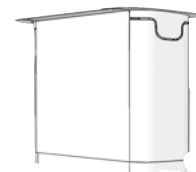


PA4DW

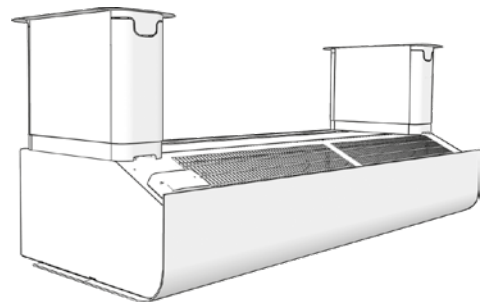


See separate manual for PA4DW.

Type	Product type	Length Metric [mm]	Length Imperial [in]
PA4DCS	PAEC4000	200-300	8.00-12.00
PA4DCM	PAEC4000	300-500	12.00-20.00
PA4DCL	PAEC4000	500-900	20.00-36.00
PA4DXT	PAEC4000	420	16.80



PA4DC



See separate manual for PA4DC.

PAEC4010x: 2 pcs
 PAEC4015x: 2 pcs
 PAEC4020x: 3 pcs
 PAEC4025x: 4 pcs

Accessories

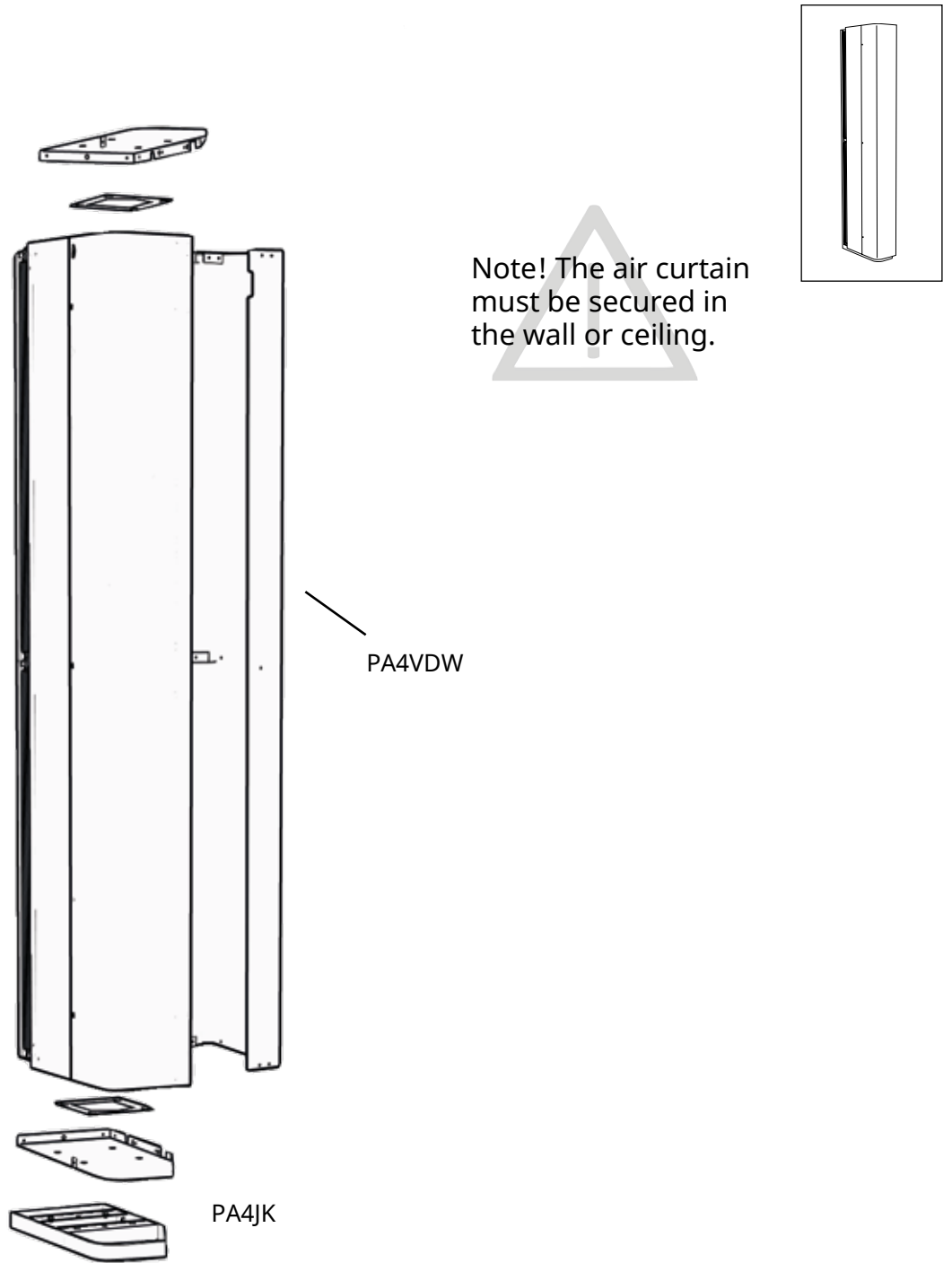
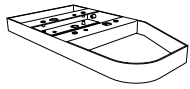


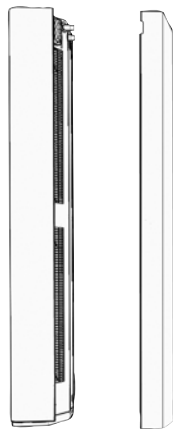
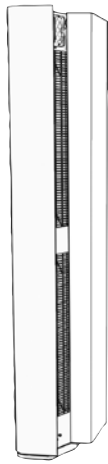
Fig. 11: See separate manual for PA4JK.

PAEC4000

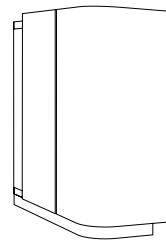
Accessories



PA4JK



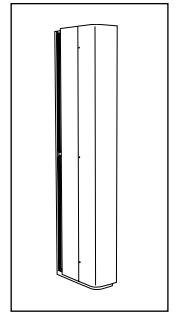
PA4VDW



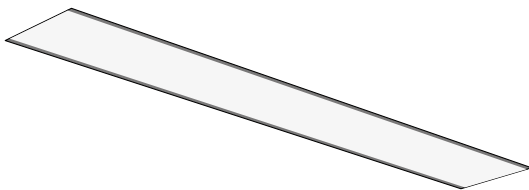
PA4HE(VDW)



AXP300



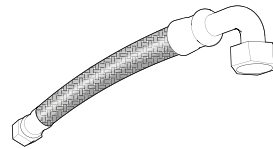
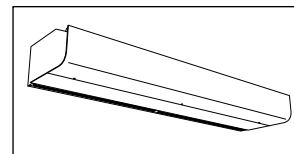
Type	Product type
PA4JK	PAEC4000
PA4VDW15	PAEC4015x
PA4VDW20	PAEC4020x
PA4VDW25	PAEC4025x
PA4HE	PAEC4000
PA4HEVDW	PAEC4000
AXP300	PAEC4000



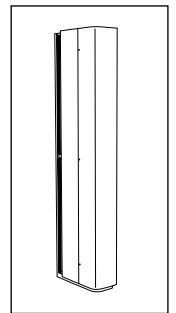
See separate manual for PA34EF.



DTV200S

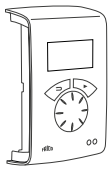


See separate manual for FHDN20.



Type	Product type	Length Metric	Length Imperial
PA34EF10	PAEC4010W		
PA34EF15	PAEC4025W		
PA34EF20	PAEC4020W		
PA34EF25	PAEC4025W		
DTV200S	PAEC4000W		
FHDN20	PAEC4000W	350 mm	13.8 in
FHDN2010	PAEC4000W	1 m	3.3 ft

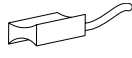
Accessories



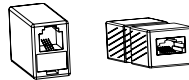
SIREACY
SIREAAY



SIRERTX



SIREWTA



SIRECJ4/SIRECJ6



SIRECC

Type	Dimensions Metric	Length Metric	Dimensions Imperial	Length Imperial
SIREACY				
SIREAAY				
SIRERTX	70x33x23 mm		2.80x1.32x0.92 in	
SIREWTA				
SIRECJ4				
SIRECJ6				
SIRECC603		3 m		9.8 ft
SIRECC605		5 m		16.4 ft
SIRECC610		10 m		32.8 ft
SIRECC615		15 m		49.2 ft
SIRECC640		40 m		131.2 ft
SIRECC403		3 m		9.8 ft
SIRECC405		5 m		16.4 ft
SIRECC410		10 m		32.8 ft
SIRECC415		15 m		49.2 ft



Type	Connection
VLSP15NF-NA	DN15 (1/2")
VLSP20-NA	DN20 (3/4")
VLSP25-NA	DN25 (1")
VLP15NF-NA	DN15 (1/2")
VLP20-NA	DN20 (3/4")
VLP25-NA	DN25 (1")

VLSP-NA

VKF

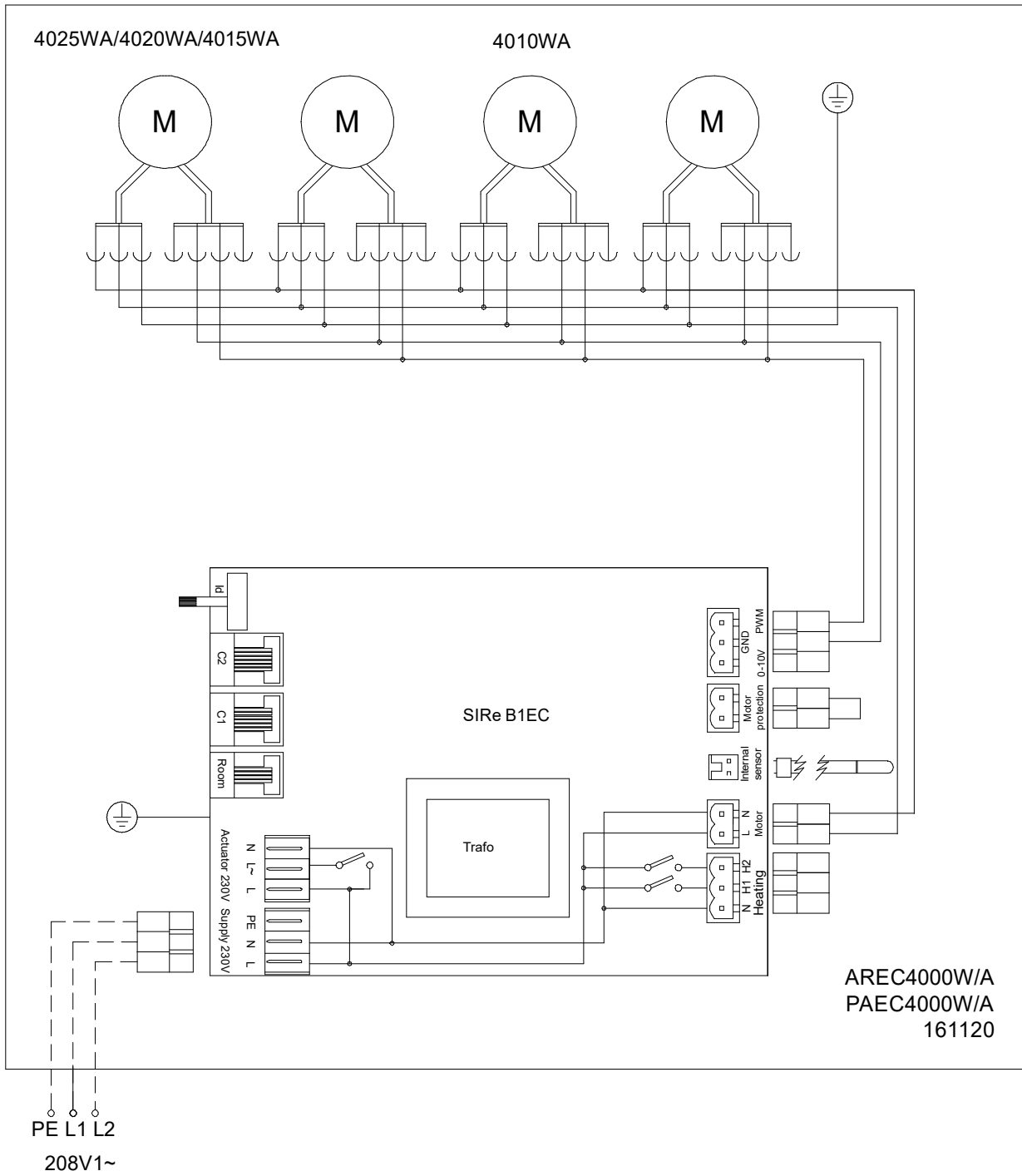
Nipple G-NPT SD230 BPV10

VLP-NA

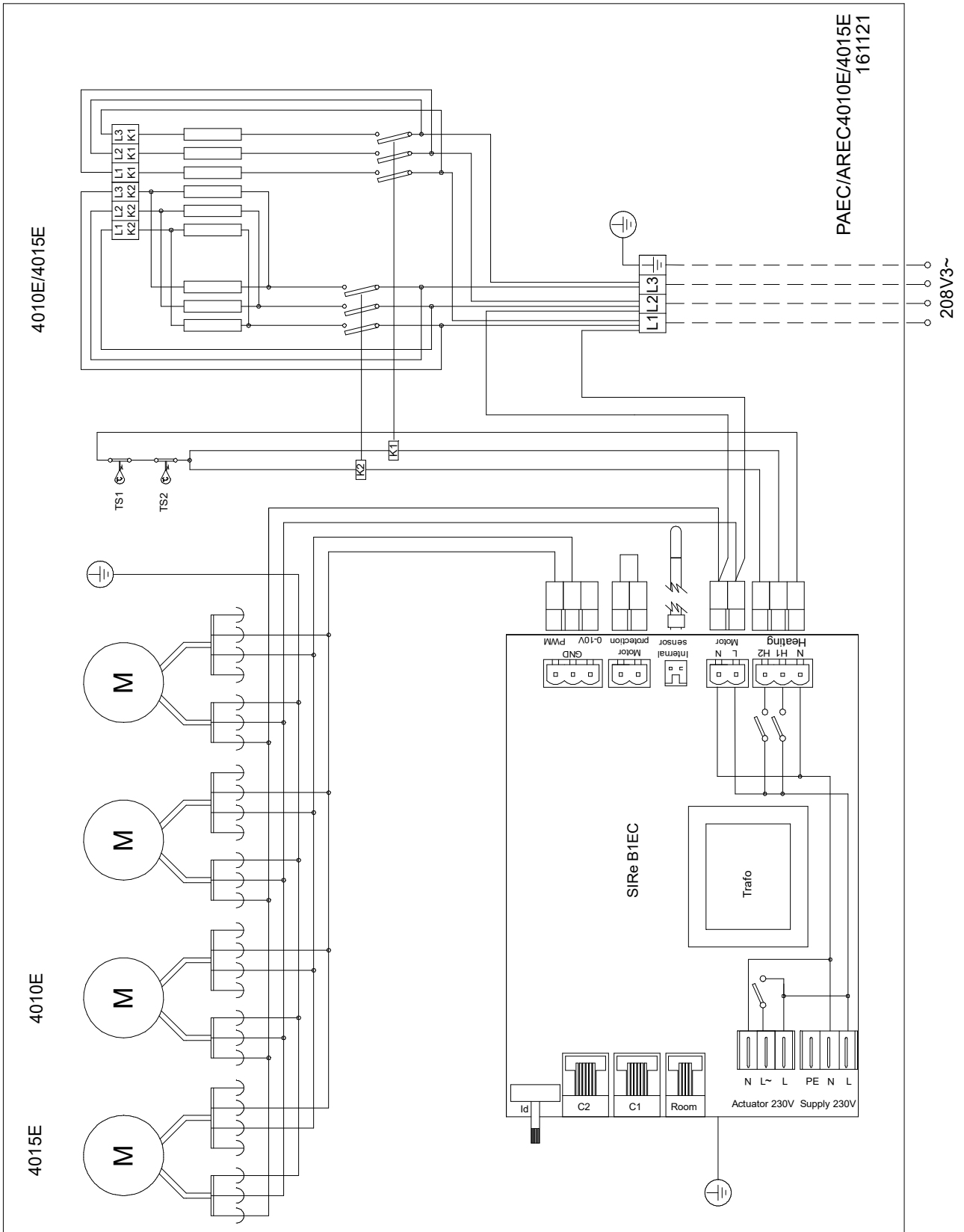
VKF

Nipple G-NPT SDM24 ST23024

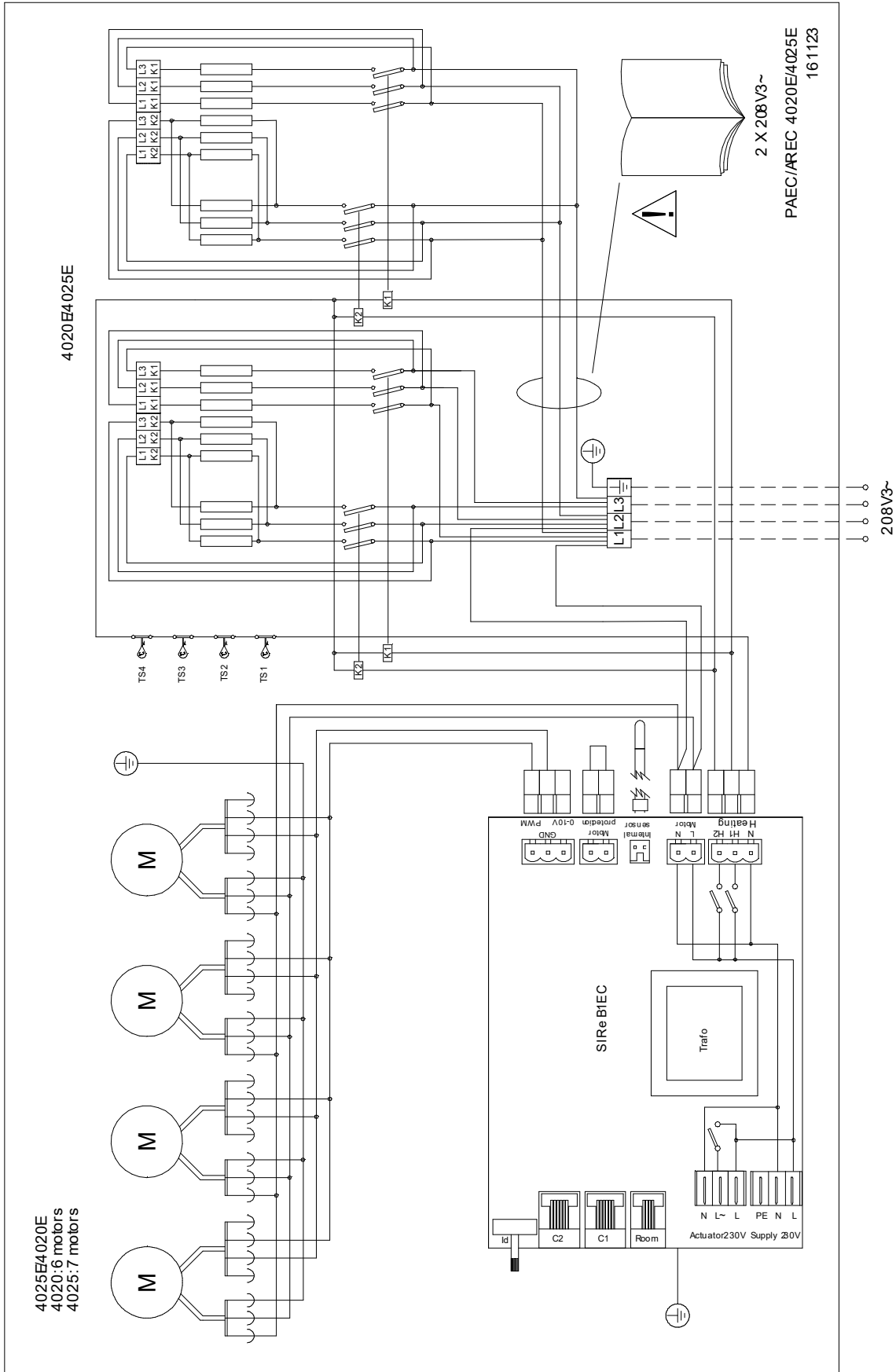
PAEC4000A/W



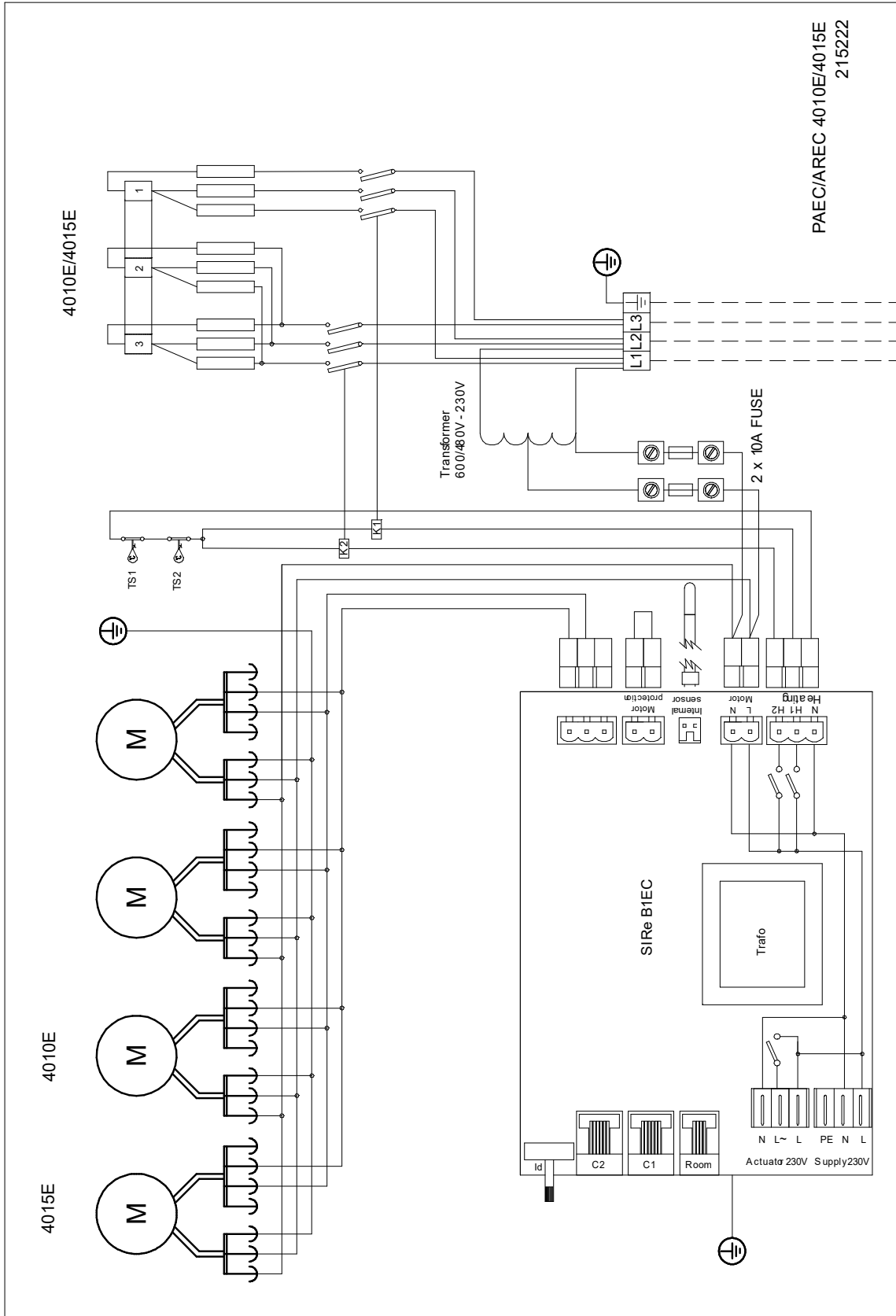
PAEC4010/15E-208V



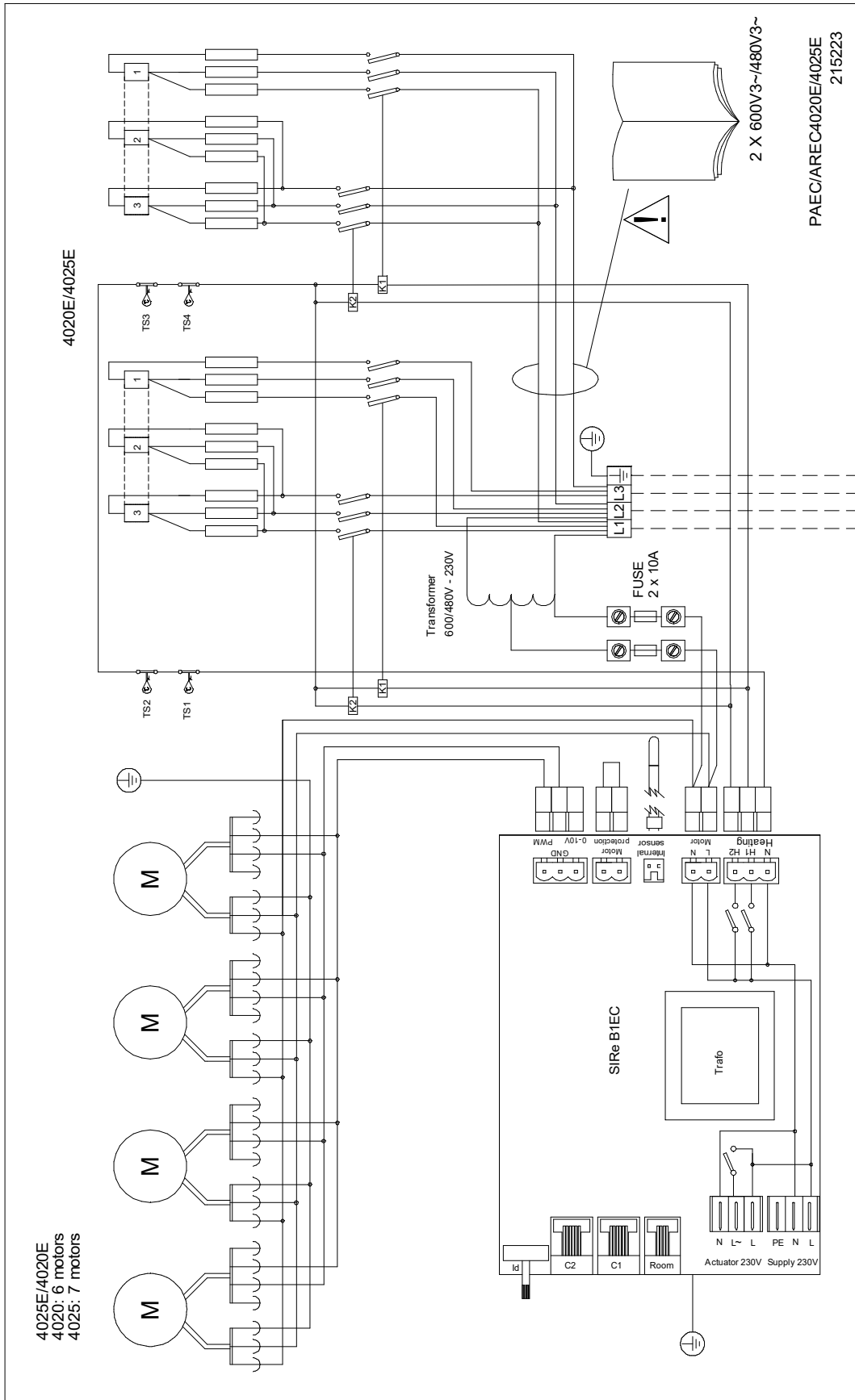
PAEC4020/25E-208V



PAEC4010/15E-480V/600V



PAEC4020/25E-480V/600V



EN

- Read the safety instructions before performing installation and/or maintenance activities on the unit.
- Installation and/or maintenance activities on the unit may only be performed by qualified technical staff.
- The unit shall not be installed and used outdoors or in environments that are aggressive, or potentially explosive. At installation site make sure surrounding environment does not require higher IP classification of the equipment than what is stated on the data label of the unit.
- The unit must be connected in accordance with the applicable local requirements. Make sure that the unit's power supply voltage matches the local mains voltage. The unit's power supply voltage and maximum ratings are displayed on the data label placed on the unit.
- The unit shall be fused according to the table below.
- See also "Safety" on the English pages.

FR

- Veuillez lire les consignes de sécurité avant d'installer l'unité ou d'en effectuer l'entretien.
- L'installation ou l'entretien de l'unité doivent être effectués par un technicien qualifié seulement.
- L'unité ne doit pas être installée et utilisée à l'extérieur ou dans un environnement hostile ou potentiellement explosif. Au site d'installation, veuillez vous assurer que le milieu environnant n'exige pas une classification IP de l'équipement supérieure à ce qui est indiqué sur l'étiquette de données de l'unité.
- L'unité doit être branchée conformément aux exigences locales applicables. Veuillez vous assurer que la tension d'alimentation de l'unité correspond à la tension de secteur locale. La tension d'alimentation de l'unité et les calibres maximums sont indiqués sur l'étiquette de données placée sur l'unité.
- L'unité doit être protégée par un fusible conformément au tableau ci-dessous.
- Voir également la section « Sécurité » dans les pages en français.

ES

- Lea las instrucciones de seguridad antes de realizar trabajos de instalación y/o mantenimiento en la unidad.
- Los trabajos de instalación y/o mantenimiento en la unidad solo deben encomendarse a personal técnico cualificado.
- La unidad no debe instalarse ni utilizarse al aire libre ni en entornos agresivos o potencialmente explosivos. En el lugar de instalación, asegúrese de que el entorno circundante no requiera un equipo con una clasificación IP superior a la que se indica en la etiqueta identificativa de la unidad.
- La unidad debe conectarse de acuerdo a la normativa local vigente. Asegúrese que la tensión de alimentación de la unidad coincida con la tensión de la red eléctrica local. La tensión de alimentación y los valores nominales máximos de la unidad figuran en la etiqueta descriptiva de cada unidad.
- La unidad debe protegerse con fusibles según se indica en la siguiente tabla.
- Consulte también la sección «Seguridad» de la versión en español.

EN: Maximum Amperage on L1, L2 or L3 [A]	EN: Maximum fuse value [A]
FR: Intensité de courant électrique maximale pour L1, L2 ou L3 [A]	FR: Calibre maximum du fusible [A]
ES: Intensidad máxima en L1, L2 o L3 [A]	ES: Valor máximo del fusible [A]
≤ 10A	16A
≤ 15A	20A
≤ 20A	25A
≤ 25A	35A
≤ 35A	50A
≤ 50A	63A
≤ 65A	80A
≤ 80A	100A
≤ 102A	125A

Installation and operating instructions

General Instructions

Read these instructions carefully prior to installation and use. Keep this manual for future reference.

The product may only be used as set out in the assembly and operating instructions. The guarantee is only valid should the product be used in the manner intended and in accordance with the instructions.

Application area

PAEC4000 is developed to fit all entrances.

Recommended installation height up to: 4 meters/13.1 feet. The air curtain is available without heat, with electrical heating and with water heating.

Protection class for units with electrical heating: IP20.

Protection class for units without heating and units with water heating: IP21.

Operation

Air is drawn in at the top/rear of the unit and blown downwards/outwards shielding the door opening and minimizing heat loss. To achieve the optimum air curtain effect the unit must extend the full height/width of the door opening.

The grille for directing the outlet air is adjustable and is normally angled outwards to achieve the best protection against incoming air.

The efficiency of the air curtain depends on the air temperature, the pressure differential across the doorway and any wind load.

NOTE! Negative pressure in the building considerably reduces the efficiency of the air curtain. The ventilation should therefore be balanced.

Mounting

The air curtain range can be adapted for vertical or horizontal installation. The units can also be installed by recessing into suspended ceilings.

Horizontal mounting

The air curtain unit is installed horizontally with the supply air grille facing downwards as close to the door as possible. Minimum distance from outlet to floor for electrically heated units is 1800 mm/70.9 in. For other minimum distances, see fig. 3.

For the protection of wider openings, several units can be mounted next to each other using a joining kit (fig. 9).

A design kit for a neat installation that conceals cables, pipes and mountings is available for both wall and ceiling installations, see accessories pages.

Mounting with wall brackets

1. Remove the plastic covers on the wall brackets. (Fig. 6A)
2. Mount the brackets on the wall according to measures in fig. 6B.
3. Fasten the hammer head screws on the unit in the holes M8. (Fig. 5 and 6C)
4. Lock the nuts so that the hammer head screws are at 20 mm/0.79 in height. Note the direction of the screw heads. (Fig. 6C)
5. Slide the unit on the consoles. (Fig. 6D)
6. Lock the nuts against the bracket and put the plastic covers on again. (Fig. 6E)

Horizontal mounting on the ceiling

Threaded rods, wire suspension kits and ceiling brackets for ceiling mounting are available as accessories, see fig. 7 and 8 and separate manuals.

Horizontal recessed mounting in false ceilings

Outlet extension used for recessed installation is available as an accessory, see fig. 10 and separate manual.

Vertical mounting PA4JK

Units from 1.5 metres/4.9 feet and longer may be used vertically. For vertical mounting, all units must be supplemented with a vertical kit containing everything needed for a practical installation of floor standing units.

The unit can be reversed and placed on either side of the door. Connections and PC Board SIRE are positioned near floor level when the air curtain is placed to the left of the door and at the top when it is placed to the right (seen from the inside).

The accompanying floor edging is attached to the floor with fasteners appropriate to the surface.

Two units can be mounted directly on top of each other, the floor edging is then used as a joining bracket.

The air curtain must be secured to wall or ceiling.

A design kit which gives a neater installation that conceals cables and pipes is available as accessory, see accessories pages. See fig. 11 and separate manual.

Electrical installation

The installation, which should be preceded by an isolator switch with a contact separation of at least 3 mm/0.12 in, should only be wired by a competent electrician and in accordance with the latest edition of IEE wiring regulations. The control system is pre-installed in the air curtain with an integrated control card, (see fig. 2).

SIRE is supplied pre-programmed with quick-fit connections.

Modular cables are connected to the control board. See manual for SIRE.

Unit without heating or with water heating
Connected via the built-in SIRE control board with 2 m/6.6 ft cord and plug.

Unit with electrical heating

The electrical connection is made on the top of the unit. See Fig.2. 208V3~/480V3~/600V3~ power supply for heat and control (*1 *2) should be connected to a terminal block in the primary terminal box.



Note! If you want to divide the output between two connection points, the series cabling must first be removed (PAEC4020/25E, 2x480V3~/600V3~).

*1 480V3~/ 600V3~ Control supply is transformed via internal transformer to 230V~ and routed through 2x 10A fuses in the primary terminal box.

*2 208V3~ Control supply is connected internally through 2x 10A fuses in the primary terminal box.

The largest cable diameter for the terminal block is 16 mm²/0.025 in². The cable glands used must meet the protection class requirements. In the distribution board it is to be indicated that "the air curtains can be supplied from more than one connection".

See wiring diagrams.

Start-up (E)

When the unit is used for the first time or after a long period of non-use, smoke or an odour may result from dust or dirt which has collected on the element. This is completely normal and disappears after a short time.

Connecting the water coil (W)

The installation must be carried out by an authorised installer.

The water coil has copper tubes with aluminium fins and is suitable for connection to a closed water heating system. Steel connection pipe. The heating coil must not be connected to a mains pressure water system or an open water system.

Note that the unit shall be preceded by a regulating valve, see Frico valve kit.

The water coil is connected on top of the unit (horizontal mounting) or on the reverse (vertical mounting) via connections DN20 (3/4''), external thread. Flexible hoses are available as an accessory, see accessories pages.

The connections to the heating coil must be equipped with shut off valves (included in Frico valve kits) to allow problem free removal.

A vent valve should be connected at a high point in the pipe system. Air valves are not included.

For vertical installation and bottom water connection it is not possible to bleed the coil in the unit. Ensure that the water coil is filled with water and that no air remains, prior to commissioning. See fig. 4.

Our recommended solution is to use a T-connection and shut off valves. Small air bubbles may remain, but will disappear with normal operation. NOTE: Care must be taken when connecting the pipes. Use a pipe wrench or a similar tool to grip the air curtain connections to prevent straining of the pipes and subsequent water leakage during connection to the water supply pipe-work.

Adjustment of the air curtain and airflow

The direction and speed of the airflow should be adjusted considering the load on the opening. Pressure forces affect the airstream and force it inwards towards the premises (when the premises are heated and the outdoor air is cold).

The airstream should, therefore, be directed outwards to withstand the load. Generally speaking, the higher the load, the greater the angle required.

Basic setting fan speed

The fan speed when the door is open is set using the control. Note that the airflow direction and the fan speed may need fine adjustment depending on the loading of the door.

Filter (W)

The water coil is protected against dirt and blockage by an air filter which covers the coil face. In environments where the filter needs cleaning often, it is advisable to use an external intake filter (see accessories pages), which provides an easier maintenance, since the unit does not need to be opened.

Service, repairs and maintenance

For all service, repair and maintenance first carry out the following:

1. Disconnect the power supply.
2. The front is locked in the open position with the front hatch hook, see fig 1A or removed completely, see fig. 1B. The service hatch is removed by loosening the screws.
3. After service, repairs and maintenance fasten the service hatch and the front.

Maintenance

Unit with water heating

The appliance filter should be cleaned regularly to ensure the air curtain effect and heat emission from the device. How often depends on local circumstances. A clogged filter is not a risk, but the appliance function can fail.

1. Disconnect the power supply.
2. Remove the screws and raise the front panel. The front is locked in open position with the front hatch hook. See Fig. 1A.
3. Remove the filter and vacuum clean or wash it. If the filter is clogged or damaged, it may need to be changed.

All units

Since fan motors and other components are maintenance-free, no maintenance other than cleaning is necessary. The level of cleaning can vary depending on local conditions. Undertake cleaning at least twice a year. Inlet and exhaust grilles, impeller and elements can be vacuum cleaned or wiped using a damp cloth. Use a brush when vacuuming to prevent damaging sensitive parts. Avoid the use of strong alkaline or acidic cleaning agents.

Overheating

The air curtain unit with electrical heating is equipped with an overheat protection. If it is deployed due to overheating, reset as follows:

1. Disconnect the electricity supply with the fully isolated switch.
2. Allow the electrical coil to cool.
3. Determine the cause of overheating and rectify the fault.
4. Reconnect the air curtain.

All motors are equipped with an integral thermal safety cut-out. This will operate, stopping the air curtain should the motor temperature rise too high. The cut-out will automatically reset when the motor temperature has returned to within the motor's operating limits.

Temperature control

Temperature control of SIRE maintains the exhaust temperature. If the temperature should exceed the preset value anyway the overheating alarm goes off. For more information see the manual for SIRE.

Fan replacement

1. Determine which of the fans is not functioning.
2. Disconnect the cables from the relevant fan.
3. Remove the screws securing the fan and lift the fan out.
4. Install the new fan as above in reverse order.

Replacing heating elements (E)

1. Mark and disconnect the cables to the electric coil package.
2. Remove the mounting screws securing the electric coil package in the unit and lift it out.
3. Replace faulty electric coil.
4. Install the electric coil package in reverse order to the above.

Replacing the water coil (W)

1. Shut off the water supply to the unit.
2. Disconnect the connections to the water coil.
3. Remove the mounting screws securing the coil in the unit and lift the coil out.
4. Install the new coil in reverse order to the above.

Troubleshooting

If the fans are not working or do not blow properly, check the following:

- That the intake grille/filter is not dirty.
- Functions and settings of the SIRE control system, see manual for SIRE.

If there is no heat, check the following:

- Functions and settings of the SIRE control system, see manual for SIRE.

For units with electrical heating, also check the following:

- Power supply to electric heater coil; check fuses and circuit-breaker (if any).
- That the overheat protection has not been deployed.

For units with a water coil, also check the following:

- That the water coil is air free.
- That there is sufficient water flow and pressure.
- That incoming water is heated adequately.

If the fault cannot be rectified, please contact a qualified service technician.

Residual current circuit breaker (E)

When the installation is protected by means of a residual current circuit breaker, which trips when the appliance is connected, this may be due to moisture in the heating element. When an appliance containing a heater element has not been used for a long period or stored in a damp environment, moisture can enter the element.

This should not be seen as a fault, but is simply rectified by connecting the appliance to the main supply via a socket without a safety cut-out so that the moisture can be eliminated from the element. The drying time can vary from a few hours to a few days. As a preventive measure, the unit should occasionally be run for a short time when it is not being used for extended periods of time.

Packaging

Packaging materials are chosen with consideration to the environment and are therefore recyclable.

Handling of product at end of working life

This product may contain substances necessary for the functionality of the product but potentially dangerous for the environment. The product should not be disposed of mixed with general household waste but delivered to a designated collection point for environmental recycling. Please contact the local authority for further details of your nearest designated collection point.

Safety

- *For all installations of electrically heated products a residual current circuit breaker 300 mA for fire protection should be used.*
- *Keep the areas around the air intake and exhaust grilles free from possible obstructions!*
- *The unit must not be fully or partially covered as overheating can result in a fire risk!*
- *Lifting equipment must be used to lift the unit.*
- *This appliance can be used by children aged from 8 years and above and persons with reduced physical, sensory or mental capabilities or lack of experience and knowledge if they have been given supervision or instruction concerning use of the appliance in a safe way and understand the hazards involved. Children shall not play with the appliance. Cleaning and user maintenance shall not be made by children without supervision.*
- *Children of less than 3 years should be kept away unless continuously supervised.*
- *Children aged from 3 years and less than 8 years shall only switch on/off the appliance provided that it has been placed or installed in its intended normal operating position and they have been given supervision or instruction concerning use of the appliance in a safe way and understand the hazards involved.*
- *Children aged from 3 years and less than 8 years shall not plug in, regulate and clean the appliance or perform user maintenance.*

CAUTION — Some parts of this product can become very hot and cause burns. Particular attention has to be given where children and vulnerable people are present.

Consignes de montage et mode d'emploi

Généralités

Lisez attentivement les présentes consignes avant d'installer et d'utiliser l'appareil. Conservez ce manuel afin de pouvoir le consulter ultérieurement.

Le produit doit être utilisé uniquement en conformité avec les consignes de montage et le mode d'emploi. La garantie n'est valable que si l'utilisation du produit est conforme aux indications et consignes.

Application

Le PAEC4000 est développé pour s'adapter à toutes les entrées. Hauteur d'installation préconisée jusqu'à: 4 mètres/13.1 pieds. Le rideau d'air est disponible sans chauffage, avec chauffage électrique et avec chauffage à eau. Indice de protection pour les appareils avec chauffage électrique : IP20.

Indice de protection pour les appareils sans chauffage et appareils avec chauffage à eau : IP21.

Fonctionnement

L'air, aspiré par le haut/l'arrière de l'appareil, est soufflé vers le bas/l'extérieur pour former un écran devant l'ouverture de porte et réduire ainsi les déperditions. Pour un effet optimal, la longueur de l'appareil doit être égale à la largeur/hauteur de l'ouverture de la porte.

La grille de soufflage d'extraction d'air est orientable ; elle est en principe dirigée vers l'extérieur de manière à optimiser la barrière créée contre l'air d'extérieur.

L'efficacité du rideau d'air dépend de la température de l'air, des variations de pression dans l'ouverture de porte et, le cas échéant, de la pression du vent.

REMARQUE : une pression négative à l'intérieur du local réduit considérablement l'efficacité du rideau d'air. La ventilation doit donc être équilibrée.

Montage

Les rideaux d'air sont prévus pour une installation verticale ou horizontale. Les appareils peuvent également être encastrés en faux plafonds démontable.

Montage horizontal

Le rideau d'air est monté horizontalement, avec la grille de sortie vers le bas aussi près que possible de la porte. La distance minimale entre la sortie et le sol est de 1 800 mm/70.9 in. Voir la fig. 3 pour les autres distances minimales.

Pour des ouvertures plus larges, plusieurs appareils peuvent être montés côte à côte en utilisant un kit de connexion (fig. 9).

Le kit de conception pour une installation esthétique qui masque les câbles, les tuyaux et les montages existe aussi bien pour les installations murales que les installations suspendues. Voir la page des accessoires.

Installation avec des consoles pour montage mural

1. Retirer les couvercles en plastique des consoles. (Fig. 6A)
2. Monter les consoles sur le mur en respectant les cotes des fig. 6B.
3. Serrer les vis de suspension sur l'appareil dans les trous M8. (Fig. 5 et 6C)
4. Bloquer les écrous de manière à ce que les vis de suspension soient à une hauteur de 20 mm/0.79 in. Noter la direction des vis de suspension. (Fig. 6C)
5. Accrocher l'appareil sur les consoles. (Fig. 6D)
6. Bloquer les écrous contre les fixations et remettre les couvercles en plastique. (Fig. 6E)

Montage horizontal au plafond

Des tiges filetées, des kits de fil de suspension et des consoles de fixation au plafond sont disponibles en tant qu'accessoires, voir les fig. 7 et 8, ainsi que les autres manuels.

Montage encastré horizontale dans faux plafonds

L'extension de sortie servant à l'installation encastrée est disponible en tant qu'accessoire. Voir la fig. 10 et le manuel connexe.

Montage vertical PA4JK

Les appareils mesurant 1.5 mètre/4.9 pieds et plus peuvent être utilisés à la verticale. Pour pouvoir être montés verticalement, tous les appareils doivent être équipés d'un kit de montage vertical comprenant tous les éléments nécessaires à une installation pratique des appareils de sol.

L'appareil peut être inversé et positionné sur l'un ou l'autre côté de la porte. Les connexions et la carte électronique SIRE sont positionnés près du niveau du sol lorsque le rideau d'air est installé à gauche de la porte, et au-dessus lorsqu'il est installé à sa droite (vue de l'intérieur).

La bordure de montage au sol qui l'accompagne est maintenue au sol par des écrous adaptés à la surface.

Deux appareils peuvent être installés directement l'un au-dessus de l'autre ; la bordure de montage au sol sert alors de fixation de connexion.

Le rideau d'air doit être bien fixé au mur ou au plafond.

Un kit de conception qui permet une installation plus propre, en masquant les câbles et tubes, est disponible en tant qu'accessoires. Voir la page des accessoires. Voir la fig. 11 et le manuel connexe.

Installation électrique

L'installation, qui doit être précédée d'un interrupteur omnipolaire/de coupure avec une séparation de contact de 3 mm/0.12 in au moins, doit être réalisée par un installateur qualifié, conformément à la réglementation IEE sur les branchements électriques en vigueur dans son édition la plus récente. Le système de régulation est préinstallé dans le rideau d'air à l'aide d'une carte de régulation intégrée (voir fig. 2).

SIRE est préprogrammé avec des raccords rapides.

Les câbles modulaires sont raccordés au circuit imprimé. Voir le manuel de la référence SIRE.

Appareil sans chauffage ou avec chauffage à eau chaude

Connecté via le circuit imprimé SIRE avec cordon de 2 m/6.6 pieds et fiche.

Appareil avec chauffage électrique

Le raccordement électrique s'effectue sur la partie supérieure de l'appareil. Voir Fig.2. 208V3~/ 480V3~/ 600V3~ commande et puissance (*1 *2) doivent être connectées aux borniers dans la boîte de raccordement principale.



Remarque : si vous souhaitez diviser la puissance entre les deux points de raccordement, vous devez d'abord retirer le câblage de série (PAEC4020/25E, 2x480V3~/600V3~).

*1 480V3~/ 600V3~ L'alimentation commande est transformée au 230V~ par le transformateur interne et cheminée via 2x 10A fusibles dans la boîte de raccordement principale.

*2 208V3~ L'alimentation commande est connectée à l'intérieur via 2x 10A fusibles dans la boîte de raccordement principale.

Le diamètre maximum de câble au bornier est de 16 mm²/0.025 in². Les presse-étoupe utilisés doivent être conformes aux indices de protection concernés. Le panneau électrique doit comporter la mention « Les rideaux d'air peuvent être alimentés depuis plusieurs connexions ».

Voir les schémas de raccordement.

Démarrage (E)

Lorsque l'unité sert pour la première fois, ou suite à une longue période d'inactivité, de la fumée ou une odeur résultant de la poussière ou saleté éventuellement accumulée à l'intérieur de l'appareil peut se dégager. Ce phénomène est tout à fait normal et disparaît rapidement.

Raccordement de la batterie à eau chaude (W).

L'installation doit être effectuée par un installateur agréé.

La batterie à eau chaude est constituée de tubes de cuivre dotés d'ailettes en aluminium; elle est conçue pour être raccordée à un circuit fermé d'eau chaude. Gaine en acier. La batterie à eau chaude ne doit pas être branchée sur un circuit hydraulique à pression standard, ni sur un circuit ouvert.

Noter que l'appareil doit être précédé d'une vanne de régulation ; voir le kit de vannes Frico.

La batterie à eau chaude est connectée à la partie supérieure de l'appareil (montage horizontal) ou à la partie inférieure (vertical) via des connexions DN0 (3/4 po), avec filetage externe. Tuyaux flexibles à commander en tant qu'accessoire ; voir les pages d'accessoires.

Les raccordements au circuit d'eau chaude doivent être dotés de vannes d'arrêt (incluses dans les kits vannes Frico) permettant une dépose aisée.

Un purgeur d'air doit être raccordé à un point haut du circuit hydraulique. Les purgeurs d'air ne sont pas inclus.

Il n'est pas possible de purger la batterie dans l'appareil en cas d'installation verticale et de raccord hydraulique par le bas. S'assurer que la batterie à eau chaude est remplie et qu'elle ne contient plus d'air avant sa mise en service. Voir fig. 4

Nous recommandons l'utilisation d'un raccord en T et de vannes d'arrêt. Les petites bulles d'air qui pourraient être présentes disparaîtront lors du fonctionnement.
REMARQUE : faire attention lors de la connexion des tuyaux. Pour un raccordement sur une canalisation, utiliser une clé ou un outil similaire pour maintenir la connexion entre le rideau d'air et les tuyaux afin d'éviter de tendre ces derniers et donc ne pas créer de fuite.

Réglage de l'appareil et du débit d'air

La direction et la vitesse du jet d'air doivent être réglés en tenant compte de la charge sur l'ouverture. Les pressions d'air présentes au niveau de l'entrée influent sur le débit d'air, le repoussant vers l'intérieur (lorsque le local est chauffé et que l'air extérieur est froid).

Le débit d'air doit par conséquent être orienté vers l'extérieur de manière à contrebalancer la charge. D'une manière générale, plus la charge est élevée, plus l'angle doit être important.

Réglage initial de la vitesse de ventilation

La vitesse de ventilation lorsque la porte s'ouvre est réglée à l'aide de la commande. Garder à l'esprit le fait qu'un réglage fin de l'orientation et de la vitesse du débit d'air peut s'imposer en fonction de la charge.

Filtre (W)

La batterie à eau chaude est protégée contre la poussière et l'obstruction par un filtre à air qui recouvre sa surface. Dans des environnements dans lesquels le filtre a besoin d'être fréquemment nettoyé, il est conseillé d'utiliser un filtre d'entrée externe (voir la page des accessoires), qui facilite la maintenance puisque le nettoyage peut se faire sans devoir ouvrir l'appareil.

Entretien, réparations et maintenance

Opérations initiales pour toute intervention d'entretien, de réparation et de maintenance :

1. Déconnecter l'alimentation électrique.
2. La face est bloquée en position ouverte à l'aide du crochet de la trappe avant, voir fig. 1A, ou complètement retirée, voir fig. 1B. La trappe d'entretien est retirée en desserrant les vis.
3. Refermer la trappe d'entretien et la face après les travaux d'entretien, de réparation et de maintenance.

Entretien

Appareil avec chauffage à eau chaude

Le filtre doit être nettoyé régulièrement pour garantir l'effet rideau d'air et l'émission de chaleur. La fréquence de ce nettoyage dépend de l'environnement immédiat de l'appareil. Un filtre obstrué ne constitue pas un risque, mais peut entraîner la panne de l'appareil.

1. Déconnecter l'alimentation électrique.
2. Desserrer les vis et soulever la face avant. La face est bloquée en position ouverte à l'aide du crochet de la trappe avant. Voir Fig. 1A.
3. Retirer le filtre et le nettoyer à l'aspirateur ou le laver. Si le filtre est obstrué ou endommagé, il peut être nécessaire de le changer.

Tous les appareils

Les moteurs du ventilateur et les autres organes de l'appareil ne nécessitant aucune maintenance, seul un nettoyage régulier est nécessaire. La fréquence de nettoyage dépend des conditions locales. Un nettoyage s'impose cependant au moins deux fois par an. Les grilles d'admission et de diffusion, la turbine et les autres éléments peuvent être nettoyés à l'aspirateur, ou essuyés à l'aide d'un chiffon humide. Lors du passage de l'aspirateur, utiliser une brosse afin de ne pas endommager les pièces fragiles. Ne pas utiliser de produits de nettoyage très alcalins ou acides.

Surchauffe

Le modèle à chauffage électrique est doté d'un dispositif anti-surchauffe. Si ce dispositif se déclenche, il convient de le réinitialiser de la manière suivante :

1. Débrancher l'électricité au niveau de l'interrupteur entièrement isolé.
2. Attendre le refroidissement de la résistance.
3. Déterminer la cause de la surchauffe et y remédier.
4. Reconnecter le rideau d'air.

Tous les moteurs sont équipés d'une sécurité thermique intégrale. Elle fonctionne en arrêtant le fonctionnement du rideau d'air si la température du moteur est trop élevée. Le disjoncteur différentiel se réinitialise automatiquement lorsque la température revient dans la plage admissible.

Commande de la température

La régulation de température SIRE maintient la température d'échappement. Si, malgré tout, la température dépasse la valeur prédéfinie, l'alarme de surchauffe se déclenche. Pour plus d'informations, consultez la notice de SIRE.

Remplacement d'un ventilateur

1. Déterminer quel ventilateur ne fonctionne pas.
2. Débrancher ses câbles d'alimentation.
3. Retirer ses vis de fixation et ôter le ventilateur.
4. Mettre en place le nouveau ventilateur en suivant les étapes ci-dessus dans l'ordre inverse.

Remplacer une résistance (E)

1. Repérer et débrancher les câbles de la résistance.
2. Retirer les vis de fixation de la résistance et la déposer.
3. Remplacer la résistance défectueuse.
4. Mettre en place la nouvelle résistance en suivant les étapes ci-dessus dans l'ordre inverse.

Remplacement de la batterie à eau chaude.

1. Couper l'alimentation d'eau de l'appareil.
2. Déconnecter les canalisations de la batterie à eau chaude.
3. Retirer les vis de fixation de la batterie et la déposer.
4. Mettre en place la nouvelle batterie en inversant les étapes ci-dessus.

Dépannage

Si les ventilateurs ne fonctionnent pas ou ne soufflent pas suffisamment, contrôler les points suivants :

- Propreté de la grille/du filtre de prise d'air.
- Vérifier les fonctions et réglages du système de commande SIRE, voir le manuel SIRE.

Si le chauffage ne fonctionne pas, contrôler les points suivants :

- Vérifier les fonctions et réglages du système de commande SIRE, voir le manuel SIRE.

Pour les appareils à chauffage électrique, contrôler également les points suivants :

- Alimentation électrique de la résistance : contrôler fusibles et disjoncteur (le cas échéant).
- Activation éventuelle de la protection anti-surchauffe.

Pour les appareils à batterie à eau chaude, contrôler également les points suivants :

- Purge de la batterie à eau chaude.
- Débit d'eau suffisant.
- Eau entrante suffisamment chaude.

Si le problème persiste, faire appel à un technicien d'entretien qualifié.

Disjoncteur à courant résiduel (E)

Si l'installation est protégée par un disjoncteur à courant résiduel, et que ce dernier se déclenche à la mise sous tension de l'appareil, le problème peut être lié à la présence d'humidité dans l'élément de chauffe. En cas de stockage prolongé dans un lieu humide, l'élément de chauffe de l'appareil peut avoir pris l'humidité.

Ce n'est pas une panne et il est facile d'y remédier en branchant provisoirement l'appareil sur le secteur via une prise sans disjoncteur différentiel, de sorte à sécher l'élément de chauffe. Le séchage peut prendre de quelques heures à quelques jours. À titre préventif, il est conseillé de faire fonctionner l'appareil pour une courte durée, de temps à autre, lorsqu'il n'est pas en service pendant une période prolongée.

Emballage

Les matériaux d'emballage sélectionnés sont recyclables, dans un souci de respect de l'environnement.

Gestion du produit en fin de vie

Ce produit peut contenir des substances qui sont nécessaires à son fonctionnement, mais peuvent constituer un danger pour l'environnement. Il ne doit donc pas être jeté avec les déchets ménagers, mais déposé dans un point de collecte agréé en vue d'être recyclé. Veuillez contacter les autorités locales pour en savoir plus sur le point de collecte agréé le plus proche de chez vous.

Sécurité

- *Un disjoncteur à courant résiduel de 300 mA doit être utilisé contre les risques d'incendie dans les installations de produits avec chauffage électrique.*
- *Veiller à ce que les zones à proximité des grilles de prise et de sortie d'air soient libres de tout objet susceptible de provoquer des obstructions.*
- *L'appareil ne doit en aucun cas être couvert : toute surchauffe est susceptible de provoquer un incendie.*
- *L'appareil doit être soulevé à l'aide d'équipement de levage.*
- *Les enfants de plus de 8 ans peuvent utiliser cet appareil, tout comme les personnes aux capacités physiques, mentales ou sensorielles réduites, ou manquant d'expérience ou de connaissances, si une personne les a conseillés ou formés à son utilisation et aux dangers possibles. Les enfants ne doivent pas jouer avec cet appareil. Le nettoyage et l'entretien de l'appareil ne doivent pas être confiés aux enfants sans surveillance.*
- *Tenez les enfants âgés de moins de 3 ans éloignés de l'appareil, à moins qu'ils ne soient constamment surveillés.*
- *Les enfants âgés de 3 à 8 ans sont autorisés à allumer et éteindre l'appareil, à condition qu'il soit placé et installé dans sa position de service habituelle et que les enfants soient rigoureusement surveillés et formés sur la façon d'utiliser l'appareil de façon sûre et sur les dangers que cela implique.*
- *Les enfants âgés entre 3 et 8 ans ne sont pas autorisés à introduire la fiche, à régler et nettoyer l'appareil ou à en effectuer la maintenance.*

ATTENTION: Certaines parties de l'appareil peuvent devenir très chaudes et provoquer des brûlures. Il est nécessaire de prêter particulièrement attention en présence d'enfants ou de personnes vulnérables.

Traduction des pages de présentation

• Outside thread	= Filetage extérieur
• Quantity included	= Quantité incluse
• pcs	= Pièces
• Accessories	= Accessoires
• See separate manual for xxx	= Voir le manuel de la référence XXX.
• Wiring diagrams for XXX and XXX, see manual for SIRE	= Schémas de raccordement pour xxx et xxx, voir le manuel de la référence SIRE.
• Note! The air curtain must be secured in the wall or ceiling.	= Remarque ! Le rideau d'air doit être bien fixé au mur ou au plafond.

Caractéristiques techniques

Output steps	= Etages de puissance
Output* ⁴	= Puissance
Airflow* ¹	= Débit d'air
Sound power* ²	= Puissance acoustique
FLA (full load amperage)* ³	= FLA (intensité totale)
Motor power	= Puissance absorbée
Voltage motor	= Tension moteur
Amperage motor	= Intensité moteur
Voltage / Amperage heat	= Tension / Intensité chauffage
Water volume	= Volume d'eau
Length	= Longueur
Weight	= Poids

*¹) Débit d'air maxi sur 3 étages de ventilation au total.

*²) Les valeurs indiquées concernent les niveaux de puissance acoustique totaux pour une installation de type A: entrée libre, sortie libre. Les niveaux de puissance acoustique indiqués sont en décibels, référés à 10-12 watts, calculés selon la norme AMCA 301.

*³) FLA: intensité totale du moteur et de la puissance.

*⁴) Valable pour une temp. d'eau de 60/40 °C / 140/104 °F, temp. d'air d'entrée 18 °C / +64 °F.

Le tableau ci-dessus est valable pour 208V/1ph/60Hz. Egalement approuvé pour 230V/1ph/60Hz. La performance du produit pour 230V/1ph/60Hz est différente des données indiquées.

Indice de protection pour les appareils avec chauffage électrique : IP20.

Indice de protection pour les appareils sans chauffage et appareils avec chauffage à eau : IP21.

Marquage CE.

Tableaux de dimensionnement eau

Supply water temperature	= Température de l'eau d'alimentation
Room temperature	= Température ambiante
Outlet air temperature* ¹	= Température de l'air de sortie
Water temperature	= Température de l'eau
Fan position	= Position ventilateur
Airflow	= Débit d'air
Output* ²	= Puissance
Return water temperature	= Température retour d'eau
Water flow	= Débit hydraulique
Pressure drop	= Perte de charge

*¹) Température d'air de sortie recommandée pour un confort et un rendement optimaux.

*²) Puissance nominale à une température d'eau spécifique d'alimentation et de retour.

Caractéristiques techniques

Nozzle depth and width	= Profondeur et largeur de la buse
Max velocity at nozzle	= Vitesse maximale à la buse
Outlet velocity	= Vitesse de sortie moyenne
Outlet velocity uniformity	= Uniformité de la vitesse de sortie

Velocity projection: Model	= Projection de vitesse : Modèle
Distance from Nozzle	= Distance de la buse
Core Velocity	= Vitesse du noyau
Uniformity	= Uniformité



Frico AB certifie que les rideaux d'air PAEC4000W, PAEC4000E et PAEC4000A présentés ici sont autorisés à porter le sceau AMCA. Les cotes de performance indiquées sont basées sur des tests et des procédures exécutés conformément à la publication AMCA 211 et à la publication AMCA 311 et sont conformes aux exigences du programme de classification certification AMCA. Le sceau de classification certifié AMCA s'applique au débit d'air, à la vitesse moyenne de sortie, à l'uniformité de la vitesse de sortie, à la projection de vitesse et à la puissance nominale à la livraison gratuite uniquement.

Instrucciones de instalación y uso

Instrucciones generales

Lea atentamente estas instrucciones antes de instalar y usar el aparato. Conserve las instrucciones para futura consulta.

El producto solo se puede utilizar tal y como se indica en estas instrucciones de instalación y uso.

La garantía perderá toda validez si el producto no se utiliza de la manera prevista y con arreglo a las instrucciones.

Aplicación

PAEC4000 está diseñada para encajar en todas las entradas. Altura de instalación recomendada hasta: 4 metros/13.1 pies. La cortina de aire está disponible sin calefacción, con calefacción eléctrica o por agua.

Clase de protección de las unidades de calor eléctrico: IP20.

Clase de protección de las unidades sin calor y las unidades de calor por agua: IP21.

Funcionamiento

El aire entra por la parte superior/trasera de la unidad y sale hacia abajo/afuera generando una barrera protectora en la entrada y reduciendo las pérdidas de calor. Para que los resultados sean óptimos, la cortina de aire debe cubrir la puerta en toda su altura y anchura.

La rejilla de descarga es ajustable y por lo general se orienta hacia fuera para conseguir la protección más eficaz contra la entrada de aire.

La eficiencia de la cortina de aire depende de las diferencias de temperatura y presión en el hueco, así como de la fuerza del viento.

NOTA: la presión negativa en el interior del edificio reduce considerablemente la eficiencia de la cortina de aire. Por tanto, la ventilación debe estar equilibrada.

Montaje

Las cortinas de aire de esta gama se pueden adaptar para montaje en vertical o en horizontal y también se pueden empotrar en falso techo.

Montaje en horizontal

La posición de montaje de la cortina de aire es en horizontal, con la rejilla de descarga orientada hacia abajo y lo más cerca posible de la puerta. En las versiones con calor eléctrico, la distancia mínima entre la salida de descarga y el suelo es de 1800 mm/70.9 in. Consulte otras distancias mínimas en la figura 3.

Para cubrir huecos más anchos, se pueden instalar varias unidades seguidas utilizando el kit de unión (figura 9).

La instalación se puede rematar con un juego de embellecedores que permite ocultar los cables, tuberías y soportes tanto si la unidad se monta en la pared como si se instala en el techo (consulte las páginas de accesorios).

Montaje con soportes de pared

1. Quite las tapas de plástico de los soportes de pared (figura 6A).
2. Instale los soportes en la pared respetando las medidas que se indican en la figura 6B.
3. Apriete los tornillos de cabeza de martillo en los orificios M8 de la unidad (figuras 5 y 6C).
4. Bloquee las tuercas de modo que los tornillos de cabeza de martillo estén a una altura de 20 mm/0.79 in. Tenga en cuenta la dirección de las cabezas de los tornillos (figura 6C).
5. Deslice la unidad en los soportes (figura 6D).
6. Apriete las tuercas contra el soporte y vuelva a poner las tapas de plástico (figura 6E).

Montaje en horizontal suspendida del techo

Las varillas roscadas, juegos de cables de suspensión y soportes de techo necesarios para montar la unidad suspendida del techo son accesorios; consulte las figuras 7 y 8 y los manuales correspondientes.

Montaje en horizontal empotrada en falso techo

La extensión de descarga para instalación empotrada es un accesorio; consulte la figura 10 y el manual correspondiente.

Montaje en vertical PA4JK

Las unidades de 1.5 metros/4.9 pies o más se pueden montar en vertical. Para ello, todas las unidades deben equiparse con el juego para montaje en vertical, que contiene todo lo necesario para facilitar su instalación sobre el suelo.

La unidad se puede invertir y colocar en ambos lados de la puerta. Por tanto, las conexiones y la placa de control del sistema SIRE estarán en la parte de abajo de la cortina de aire si esta se coloca a la izquierda de la puerta y en la parte de arriba si se coloca a la derecha de la puerta (vista desde el interior del local).

La base perfilada suministrada se debe sujetar al suelo con elementos de fijación adecuados para el tipo de superficie.

Además se pueden montar dos unidades directamente una encima de la otra, utilizando la base perfilada como pieza de unión.

La cortina de aire debe sujetarse a la pared o al techo.

La instalación se puede rematar con un juego de embellecedores (accesorio) que oculta los cables, tuberías y soportes (consulte las páginas de accesorios).

Consulte la figura 11 y el manual correspondiente.

Instalación eléctrica

La instalación eléctrica, que debe ir precedida de un interruptor de corte omnipolar con una separación entre contactos de 3 mm/0.12 in como mínimo, debe encargarse a un electricista cualificado y efectuarse con base a la última edición de las normas IEE sobre cableado. El sistema de control va preinstalado en la cortina de aire con una tarjeta de control integrada (figura 2).

SIRE se suministra preprogramado y con conexiones rápidas.

Los cables modulares se conectan a la tarjeta de control. Consulte el manual de SIRE.

Unidad sin calor o de calor por agua

Se conecta a la placa de control de SIRE con un cable de 2 m/6.6 pies con conector.

Unidad de calor eléctrico

La conexión eléctrica se realiza en la parte superior de la unidad. Consulte la figura 2. La alimentación eléctrica de 208V3~/480V3~/600V3~ para calefacción y control (*1 *2) se debe conectar a un bloque de bornas de la caja de conexiones principal.



Nota: Si desea dividir la salida entre dos puntos de conexión, los cables serie deben retirarse primero (PAEC4020/25E, 2x480V3~/600V3~).

*1 La alimentación de control de 480V3~/600V3~ se transforma a través de un transformador interno en 230V~ y pasa a través de 2 fusibles de 10A de la caja de conexiones principal.

*2 La alimentación de control de 208V3~ está conectada internamente mediante 2 fusibles de 10A en la caja de conexiones principal.

Para la conexión al bloque de bornas, la sección del cable no debe superar los 16 mm²/0.025 in². Recuerde que los casquillos pasacables deben garantizar los requisitos de clase de protección. El cuadro de distribución debe incluir la mención siguiente: «las cortinas de aire pueden estar alimentadas por más de una conexión».

Consulte los esquemas del cableado.

Encendido (E)

Cuando se utiliza la unidad por primera vez o después de un largo periodo sin usarla, el polvo o la suciedad acumulados en el aparato pueden provocar humo o mal olor. Esto es completamente normal y desaparecerá al cabo de poco tiempo.

Conexión de la batería de agua (W)

La instalación de la batería debe encargarse a un instalador autorizado.

La batería de agua, de tubos de cobre y aletas de aluminio, es adecuada para la conexión a un sistema calentador de agua cerrado. El tubo de conexión debe ser de acero. No conecte la batería de calor a un sistema de agua a la presión de red ni a un sistema de agua abierto.

Tenga en cuenta que la unidad debe ir precedida de una válvula reguladora (consulte el juego de válvulas Frico).

La batería de agua se conecta por la parte superior de la unidad (montaje en horizontal) o por la parte trasera (montaje en vertical) por medio de conexiones DN20 (3/4"), rosca externa. Hay flexibles disponibles como accesorios (consulte las páginas de accesorios).

Las conexiones a la batería calentadora deben estar equipadas con válvulas de corte (incluidas en los juegos de válvulas Frico) para poder desmontarla sin problemas en caso necesario.

Además es preciso instalar una válvula de purga en un punto alto del sistema de tuberías. Las válvulas de purga no están incluidas.

En las unidades montadas en vertical y con la conexión de agua por la parte inferior, no se puede purgar la batería. Por tanto, antes de poner la unidad en servicio, asegúrese de que la batería esté llena de agua y que no quede aire en ella. Consulte la figura 4.

Nuestra solución recomendada es utilizar una conexión en T y válvulas de corte. Pueden haber pequeñas burbujas de aire que desaparecerán con el funcionamiento normal. NOTA: Debe tenerse cuidado al conectar las tuberías. Utilice una llave de tubos o herramienta similar para sujetar las conexiones de la cortina de aire con el fin de no someter a presión las tuberías y evitar fugas de agua durante la conexión a las tuberías de suministro de agua.

Ajuste de la cortina de aire y del chorro de aire

La dirección y la velocidad del chorro de aire se deben ajustar en función de las cargas en el hueco. La presión afecta al chorro de aire, haciendo que se curve hacia el interior de la sala (cuando la temperatura en el interior es superior a la exterior).

Por consiguiente, para contrarrestar la carga es necesario dirigir el chorro de aire hacia el exterior. En términos generales, cuanto mayor sea la carga en el hueco, más acusado deberá ser el ángulo.

Configuración básica de la velocidad del ventilador

Cuando la puerta está abierta, la velocidad del ventilador se define mediante el control. Tenga en cuenta que la dirección del flujo de aire y la velocidad del ventilador pueden requerir un ajuste de gran precisión en función de la carga de la puerta.

Filtro (W)

La batería de agua está protegida del polvo y las obstrucciones con un filtro de aire que cubre todo su frente. En ambientes en los que sea necesario limpiar a menudo el filtro, se recomienda instalar un filtro de aspiración externo (consulte las páginas de accesorios), dado que simplifica el mantenimiento porque no es necesario abrir la unidad.

Mantenimiento y reparación

Antes de iniciar cualquier tarea de mantenimiento o reparación, realice los pasos siguientes:

1. Desconecte la alimentación.
2. Sujete el panel frontal en posición abierta con el enganche previsto para ello (figura 1A) o desmóntelo (figura 1B). Desmonte el panel de servicio quitando los tornillos.
3. Cuando termine el trabajo, monte el panel de servicio y el panel frontal.

Mantenimiento

Unidad de calor por agua

Limpie periódicamente el filtro del aparato para garantizar el efecto de cortina y la emisión de calor. La frecuencia dependerá de las condiciones ambientales locales. Un filtro obstruido no presenta riesgo alguno, pero reduce la eficiencia del aparato.

1. Desconecte la alimentación.
2. Afloje los tornillos y levante el panel frontal. Sujete el panel frontal en posición abierta con el enganche previsto para ello. Consulte la figura 1A.
3. Quite el filtro y límpielo con una aspiradora o lávelo. Si está obstruido o dañado, puede que tenga que cambiarlo.

Todas las unidades

Los motores de los ventiladores y demás componentes no requieren mantenimiento; basta con limpiarlos siempre que sea necesario. La profundidad de la limpieza puede variar en función de las condiciones en el local. Realícela al menos dos veces al año. Las rejillas de aspiración y descarga, el ventilador y los restantes elementos se pueden limpiar con una aspiradora o un paño húmedo. Si usa una aspiradora, emplee una boca de cepillo para no dañar las piezas delicadas. No utilice productos de limpieza ácidos o muy alcalinos.

Sobrecalentamiento

Las cortinas de aire con calor eléctrico están equipadas con una protección contra el sobrecalentamiento. Si se dispara, aplique el procedimiento siguiente para rearmarla:

1. Desconecte la electricidad accionando el seccionador.
2. Espere a que la batería eléctrica se enfríe.
3. Determine la causa del sobrecalentamiento y solucione el fallo.
4. Vuelva a conectar la cortina de aire.

Todos los motores están equipados con un dispositivo de protección térmico que salta –y detiene la cortina de aire– si la temperatura en el motor sube demasiado. El dispositivo se rearma automáticamente cuando la temperatura del motor vuelve a encontrarse dentro de los límites de funcionamiento del motor.

Control de la temperatura

El control de temperatura de SIRE mantiene la temperatura de descarga. Si la temperatura supera de algún modo el valor predefinido, se activa la alarma de sobrecalentamiento. Para más información, consulte el manual de SIRE.

Sustitución del ventilador

1. Determine cuál es el ventilador que no funciona.
2. Desconecte los cables a dicho ventilador.
3. Quite los tornillos que sujetan el ventilador y extráigalo.
4. Monte un ventilador nuevo aplicando el mismo procedimiento en orden inverso.

Sustitución de una batería eléctrica (E)

1. Marque y desconecte los cables a la batería eléctrica.
2. Quite los tornillos que sujetan la batería a la unidad y extráigala.
3. Deseche la batería eléctrica defectuosa.
4. Instale la batería eléctrica nueva aplicando el mismo procedimiento en orden inverso.

Cambio de la batería de agua (W)

1. Corte el suministro de agua a la unidad.
2. Desconecte las conexiones a la batería de agua.
3. Quite los tornillos que sujetan la batería a la unidad y extráigala.
4. Instale la batería nueva aplicando el mismo procedimiento en orden inverso.

Solución de problemas

Si los ventiladores no funcionan o no expulsan suficiente aire, efectúe las siguientes comprobaciones:

- Compruebe que la rejilla y el filtro de aspiración no esté sucios.
- Compruebe las funciones y ajustes del sistema de regulación SIRE (consulte el manual de SIRE).

Si la unidad no genera calor:

- Compruebe las funciones y ajustes del sistema de regulación SIRE (consulte el manual de SIRE).

En las unidades con calor eléctrico, compruebe también lo siguiente:

- Compruebe la alimentación eléctrica de la batería eléctrica: fusibles y disyuntor (si procede).
- Compruebe que no se haya activado la protección contra el sobrecalentamiento.

En las unidades con batería de agua, compruebe también lo siguiente:

- Que la batería de agua no contenga aire.
- Que haya suficiente presión y caudal de agua.
- Que el agua entrante esté suficientemente caliente.

Si el problema no se soluciona, avise a un técnico cualificado.

Interruptor diferencial residual (E)

Si la instalación incluye un interruptor diferencial residual y éste salta cuando se conecta el aparato, es posible que el elemento calefactor esté húmedo. En efecto, el elemento calefactor de los aparatos que no se usan durante mucho tiempo o almacenados en un lugar húmedo puede acumular humedad.

En realidad no se trata de un fallo, pues el problema se soluciona conectando el aparato a un enchufe sin dispositivo de protección, para que la humedad se evapore. El aparato puede tardar en secarse entre unas horas y unos días. Para evitar el problema, es conveniente encender un rato el aparato de vez en cuando si no se va a utilizar durante un periodo de tiempo prolongado.

Embalaje

Los materiales de embalaje se eligen teniendo en cuenta el medio ambiente, por lo que son reciclables.

Manejo del producto al final de su vida útil

Este producto puede contener sustancias necesarias para su funcionamiento pero potencialmente peligrosas para el medio ambiente. El producto no debe eliminarse junto con la basura doméstica sino llevarse a un punto limpio autorizado para su reciclado medioambiental. Póngase en contacto con las autoridades locales si desea información más detallada sobre el punto limpio autorizado más cercano.

Seguridad

- *Todas las instalaciones con productos de calor eléctrico deben equiparse con un interruptor diferencial residual de 300 mA para protección contra incendios.*
- *Asegúrese de que no haya nada cerca de las rejillas de aspiración y descarga que impida la circulación del aire por la unidad.*
- *No cubra la unidad, ni siquiera parcialmente; el sobrecalentamiento resultante podría provocar un incendio.*
- *Deben utilizarse equipos de izado para elevar la unidad.*
- *Este aparato puede ser utilizado por niños de más de 8 años y por personas que presenten alguna discapacidad física, sensorial o mental o que tengan poca experiencia o conocimientos, siempre que lo hagan bajo supervisión o hayan recibido instrucciones acerca del uso seguro del aparato y entiendan los riesgos que conlleva su uso. Los niños no deben jugar con el aparato. Las operaciones de limpieza y mantenimiento correspondientes al usuario no deben ser realizadas por niños sin supervisión.*
- *Los niños menores de 3 años no han de permanecer cerca del aparato a no ser que estén siempre vigilados.*
- *Los niños de 3 a 8 años solo pueden encender/apagar este aparato cuando está situado o instalado en la posición normal de funcionamiento y ellos están vigilados atentamente e instruidos para utilizar el aparato en modo seguro y son conscientes de los peligros derivados del uso.*
- *Los niños de 3 a 8 años no pueden enchufar el aparato a la corriente, regularlo, limpiarlo o llevar a cabo las operaciones de mantenimiento.*

ATENCIÓN: Algunas partes del aparato se calientan mucho y pueden provocar lesiones. Se ha de prestar una atención especial cuando hay niños o personas vulnerables en las inmediaciones.

Traducción de las páginas introductorias

• Outside thread	= Rosca externa
• Quantity included	= Cantidad incluida
• pcs	= Uds.
• Accessories	= Accesorios
• See separate manual for xxx	= Consulte el manual de xxx.
• Wiring diagrams for XXX and XXX, see manual for SIRE	= Esquemas del cableado de xxx y xxx, consulte el manual de SIRE.
• Note! The air curtain must be secured in the wall or ceiling.	= Nota: la cortina de aire debe sujetarse a la pared o al techo.

Especificaciones técnicas

Output steps	= Niveles de potencia
Output* ⁴	= Potencia
Airflow* ¹	= Caudal de aire
Sound power* ²	= Potencia acústica
FLA (full load amperage)* ³	= FLA (intensidad de carga total)
Motor power	= Potencia del motor
Voltage motor	= Tensión del motor
Amperage motor	= Intensidad del motor
Voltage / Amperage heat	= Tensión / Intensidad calor
Water volume	= Volumen de agua
Length	= Longitud
Weight	= Peso

*¹) Caudal de aire máximo de 5 etapas de ventilación en total.

*²) Los valores mostrados son para niveles de potencia acústica total para instalaciones tipo A: entrada libre, salida libre. Los niveles de potencia acústica nominal mostrados están en decibelios con referencia a 10-12 vatios, calculados según la norma AMCA 301.

*³) FLA: intensidad total para motor y calor.

*⁴) Aplicable a una temperatura del agua de 60/40 °C / 140/104 °F, y una temperatura del aire de +18 °C / +64 °F.

La tabla anterior es válida para 208V/1ph/60Hz. También está aprobada para 230V/1ph/60Hz. El rendimiento del producto para 230V/1ph/60Hz será diferente de los datos indicados.

Clase de protección de las unidades de calor eléctrico: IP20.

Clase de protección de las unidades sin calor y las unidades de calor por agua: IP21.

Marcado CE.

Cuadros de potencia - agua

Supply water temperature	= Temperatura del agua de suministro
Room temperature	= Temperatura ambiente
Outlet air temperature* ¹	= Temperatura del aire de salida
Water temperature	= Temperatura del agua
Fan position	= Posición ventilador
Airflow	= Caudal de aire
Output* ²	= Potencia
Return water temperature	= Temperatura del agua de retorno
Water flow	= Caudal de agua
Pressure drop	= Caída de presión

*¹) Temperatura recomendada del aire de salida para un buen confort y un rendimiento optimizado.

*²) Rendimiento nominal a una temperatura del agua de suministro y retorno específica.

Especificaciones técnicas

Nozzle depth and width	= Profundidad y ancho de la boquilla
Max velocity at nozzle	= Velocidad máxima en la boquilla
Outlet velocity	= Velocidad de salida
Outlet velocity uniformity	= Uniformidad de la velocidad de salida
Velocity projection: Model	= Proyecciones de Velocidad: Modelo
Distance from Nozzle	= Distancia desde la Boquilla
Core Velocity	= Velocidad del Núcleo
Uniformity	= Porcentaje de uniformidad



Frico AB certifica que las cortinas de aire PAEC4000W, PAEC4000E y PAEC4000A tienen licencia para llevar el sello AMCA. Los valores nominales mostrados se basan en pruebas y procedimientos realizados de conformidad con las publicaciones AMCA 211 y AMCA 311 y cumplen con los requisitos del Programa de certificación AMCA. El sello de valores nominales certificados por AMCA solo se aplica al caudal de aire, la velocidad de salida media, la uniformidad de la velocidad de salida, la proyección de velocidad y la potencia nominal en la emisión libre.



**UK
CA**

Main office

Frico AB
Industrivägen 41
SE-433 61 Sävedalen
Sweden

Tel: +46 31 336 86 00
mailbox@frico.se
www.frico.net

**For latest updated information and information
about your local contact: www.frico.net**

CE