

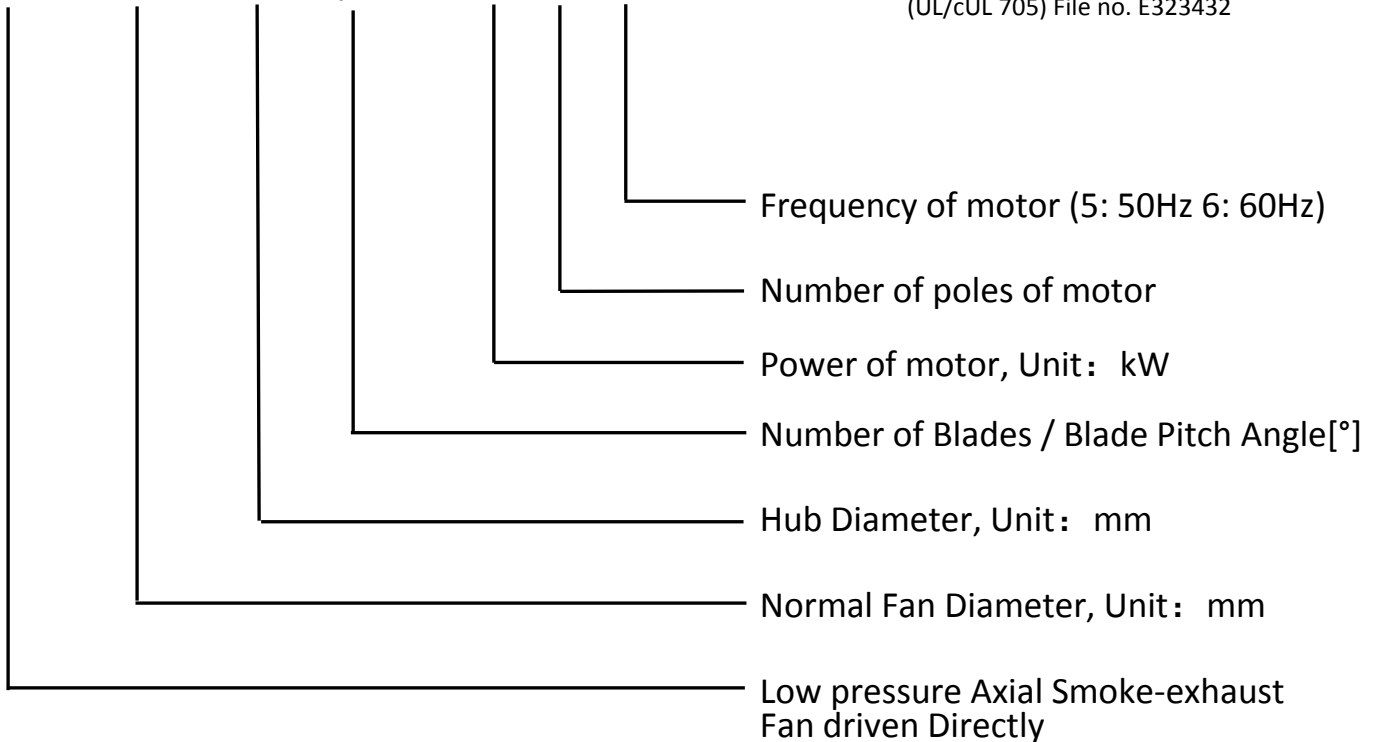
Low Pressure Axial Smoke-exhaust Fan Driven Directly



FLOWTECH Co., Ltd. certifies that the LASD-1400 shown herein are licensed to bear the AMCA Seal. The ratings shown are based on tests and procedures performed in accordance with AMCA Publication 211 and AMCA Publication 311 and comply with the requirements of the AMCA Certified Ratings Program.

Fan code

LASD-1400 -550-7/20°- 15- 8 - 6



POWER VENTILATOR 45GD

LASD 1400 is listed for electrical
(UL/cUL 705) File no. E323432

Casing

Version: L (light version)

Casings are spun of sheet galvanized steel with integral inlet flanges on both ends, mounting hole drilled in accordance to DIN 24154, R2. The strengthen structure is order to pad-mounted motors, foot-motors or flange-motors. It is suitable for duct or plenum type installation. This version is for all applications including smoke-extract and normal conditions in the HVAC-market.assemblies.

Version 2: H (heavy version)

Fan case and motor mounting made of hot-rolled steel, after welding that all steel parts are hot dip galvanized manufacturing. This version is for higher demands, for heavy industry or for high performances. Flanges on both ends, drilled in accordance to DIN 24154, R2 are integrated. On this type external terminal boxes are fitted as standard. If motors are with lubrication, tubes and grease-nipples are fitted outside fan case.

Propeller

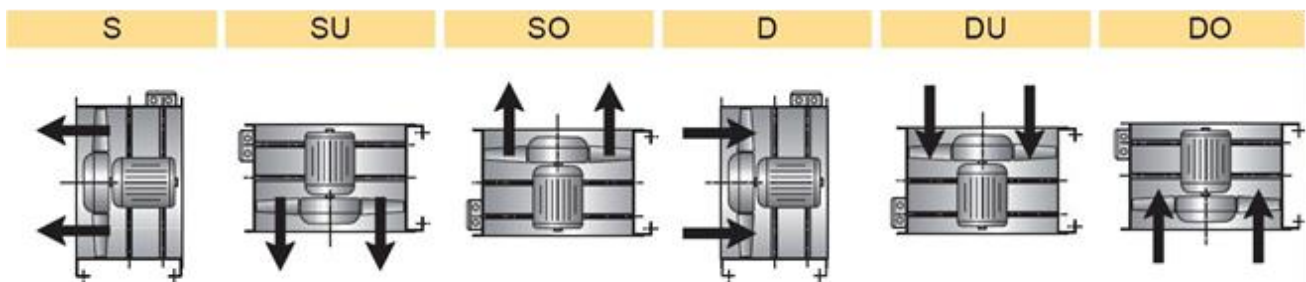
The Flowtech-propellers, hubs and blades are made of cast aluminum alloy, the aero-dynamical profile guarantees high efficiency and low noise. The blades are with adjustable pitch angle to optimum the duty point. The solidity varies for a wider range of performance. All rotating aluminum components are X-ray examined to ensure quality and reliability. All propellers are statically and dynamically balanced to ISO 1940 and AMCA 204 balance quality grade level-G2.5.

Motors

Flowtech uses as standard closed squirrel cage motors with pad-mounting and airstream rated to IEC 34, if required also in accordance to EPACT. The standard motors have Class H and enclosure IP 54. Continuous operating ranges from -40 °C to +40 °C, other operating conditions on demand. Multi speed versions with 2 or 3 speeds, TAB- or DUAL-wounded are also available. The motor bearings have L 10 (or L 50) life design. All motors are can be manufactured to correspond to F200, F300 or F400 requirements for smoke-extract application.

Forms of running

Flowtech-Axial flow fans are available for all forms of running. The chart information shows all standard forms of running, please indicate when ordering. Performance for form of running "D" are not certified by AMCA International. Form of running is especially relevant when weather proof motors are required.



Arrows indicating correct rotating and direction of airflow are mounted on the outside of the fan case.

Dimensions (Unit: mm)

Feet mounting

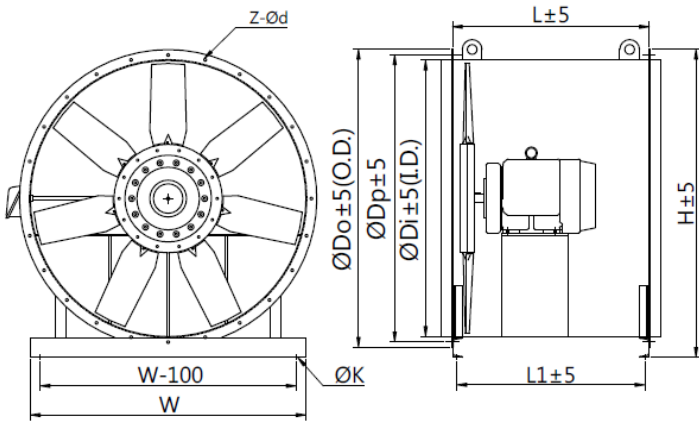


Fig. 1

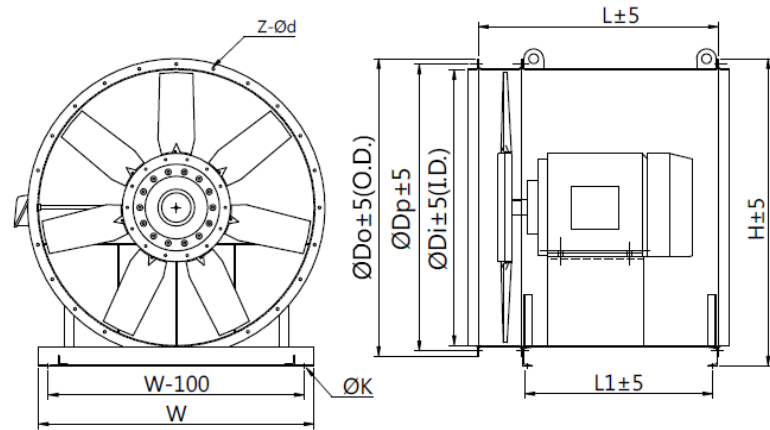


Fig. 2

Fan Size	Di	Dp	Do	Z x d	L	L1	W	K	H	Max. Motor Frame size	Fig. No.
1400	1400	1455	1510	16x14	1000	942	1400	22	1559	≤225S	Fig. 1
1400	1400	1455	1510	16x14	1220	942	1400	22	1559	<280M	Fig. 2

Ceiling Hanging

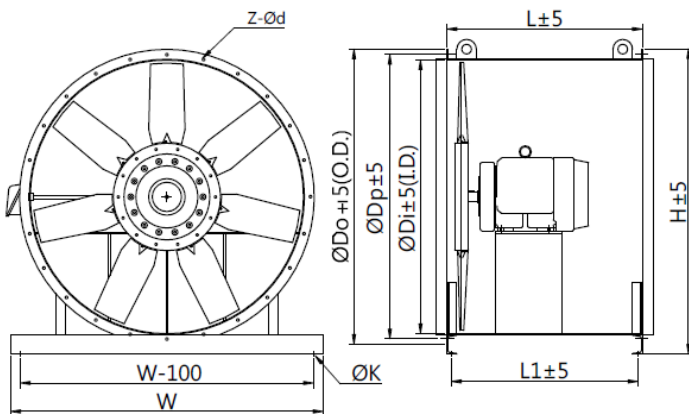


Fig. 3

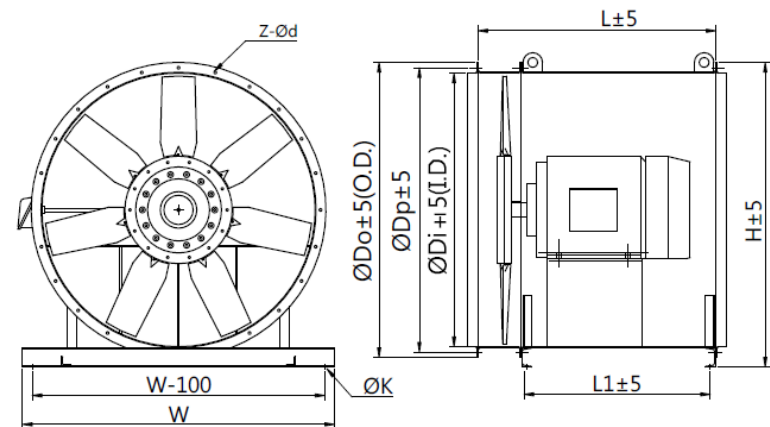


Fig. 4

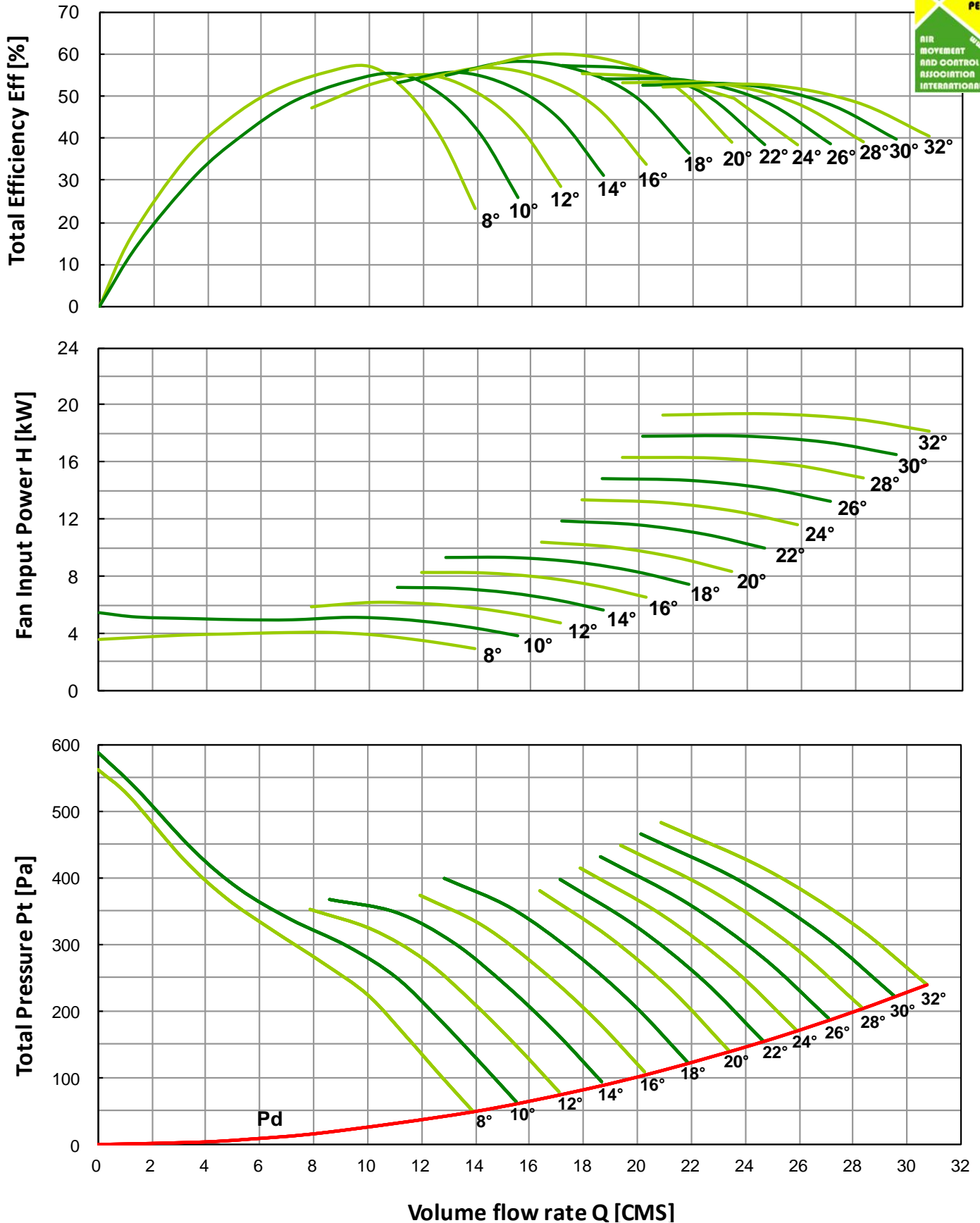
Fan Size	Di	Dp	Do	Z x d	L	L1	W	K	H	Max. Motor Frame size	Fig. No.
1400	1400	1455	1510	16x14	1000	942	1600	22	1559	≤225S	Fig. 3
1400	1400	1455	1510	16x14	1220	942	1600	22	1559	<280M	Fig. 4

LASD-1400-550-7 (60 Hz) Performance Curves

FEG 63



Fan Speed N = 880 [rpm] Outlet Area A = 1.539 [m²] ρ = 1.2kg/m³



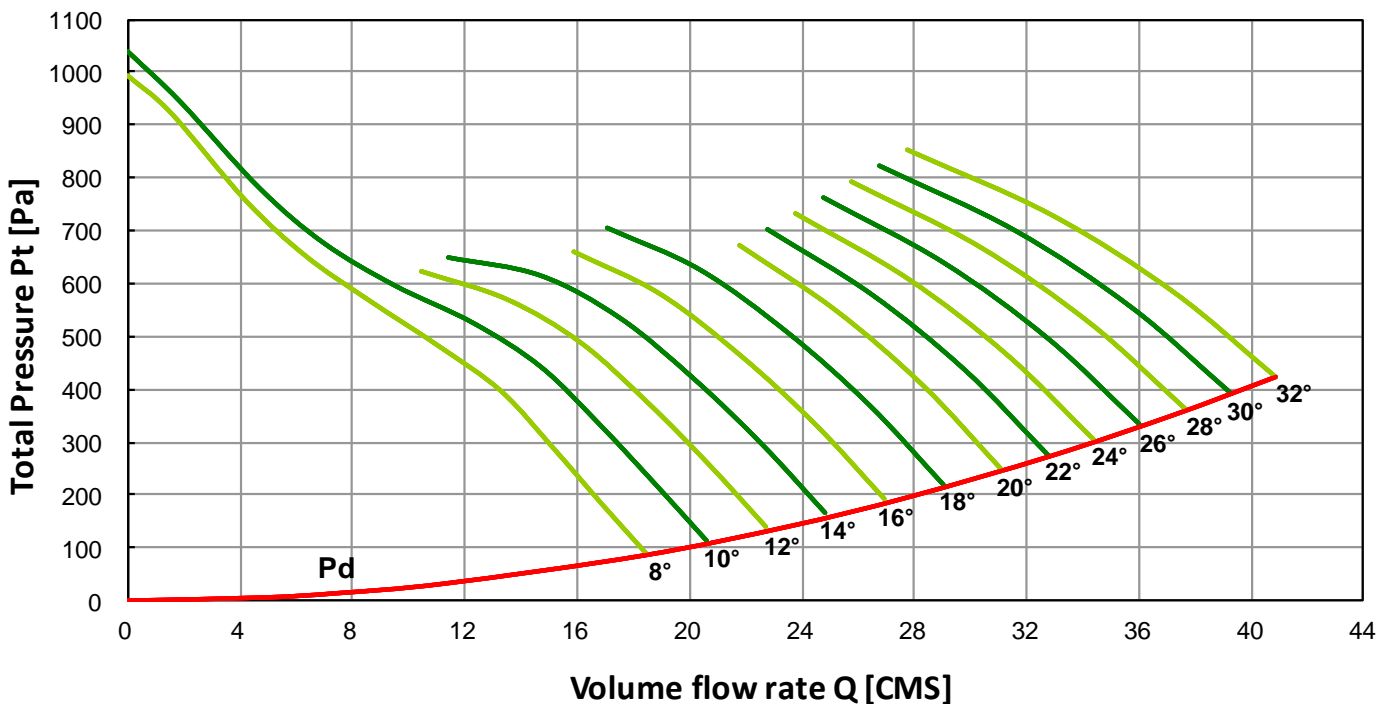
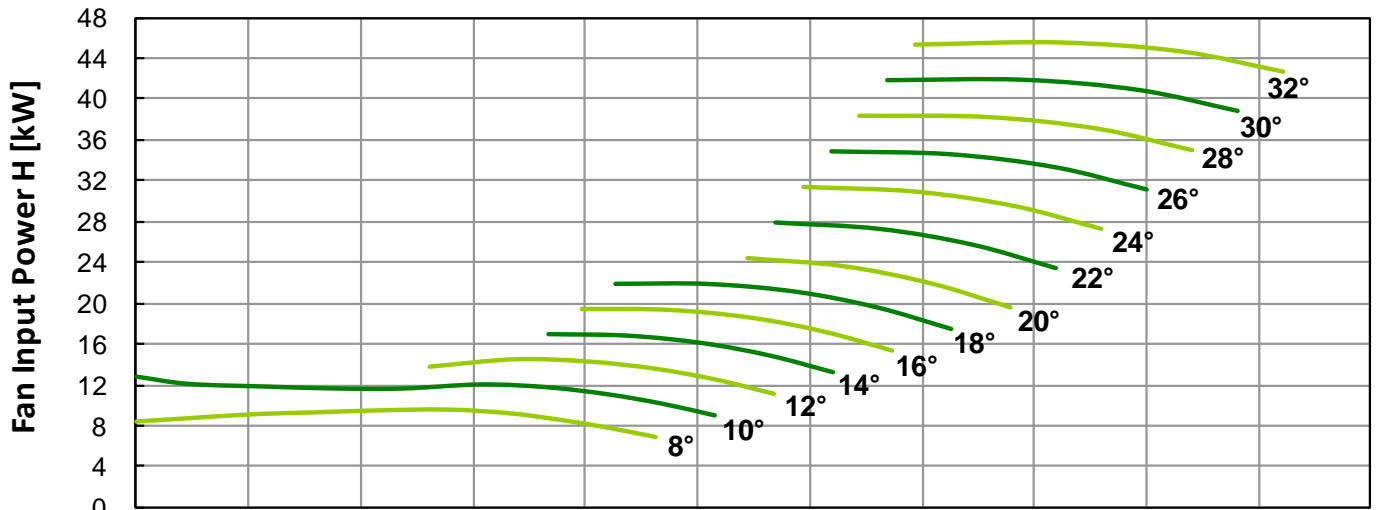
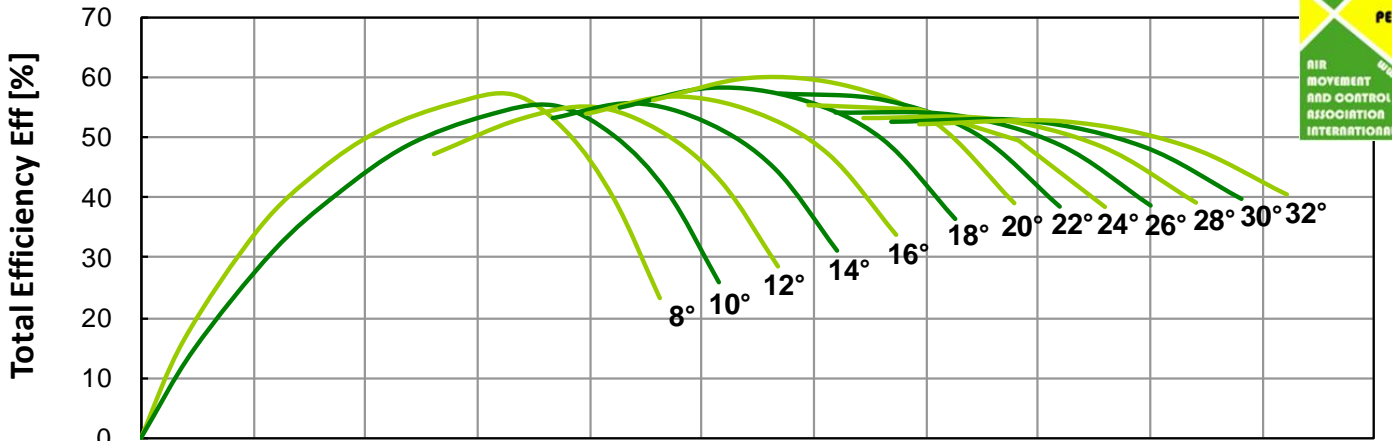
Performance certified is for installation type A: free inlet, free outlet. Performance ratings do not include the effects of appurtenances (accessories).

LASD-1400-550-7 (60 Hz) Performance Curves

FEG 63



Fan Speed N = 1170 [rpm] Outlet Area A = 1.539 [m²] ρ = 1.2kg/m³



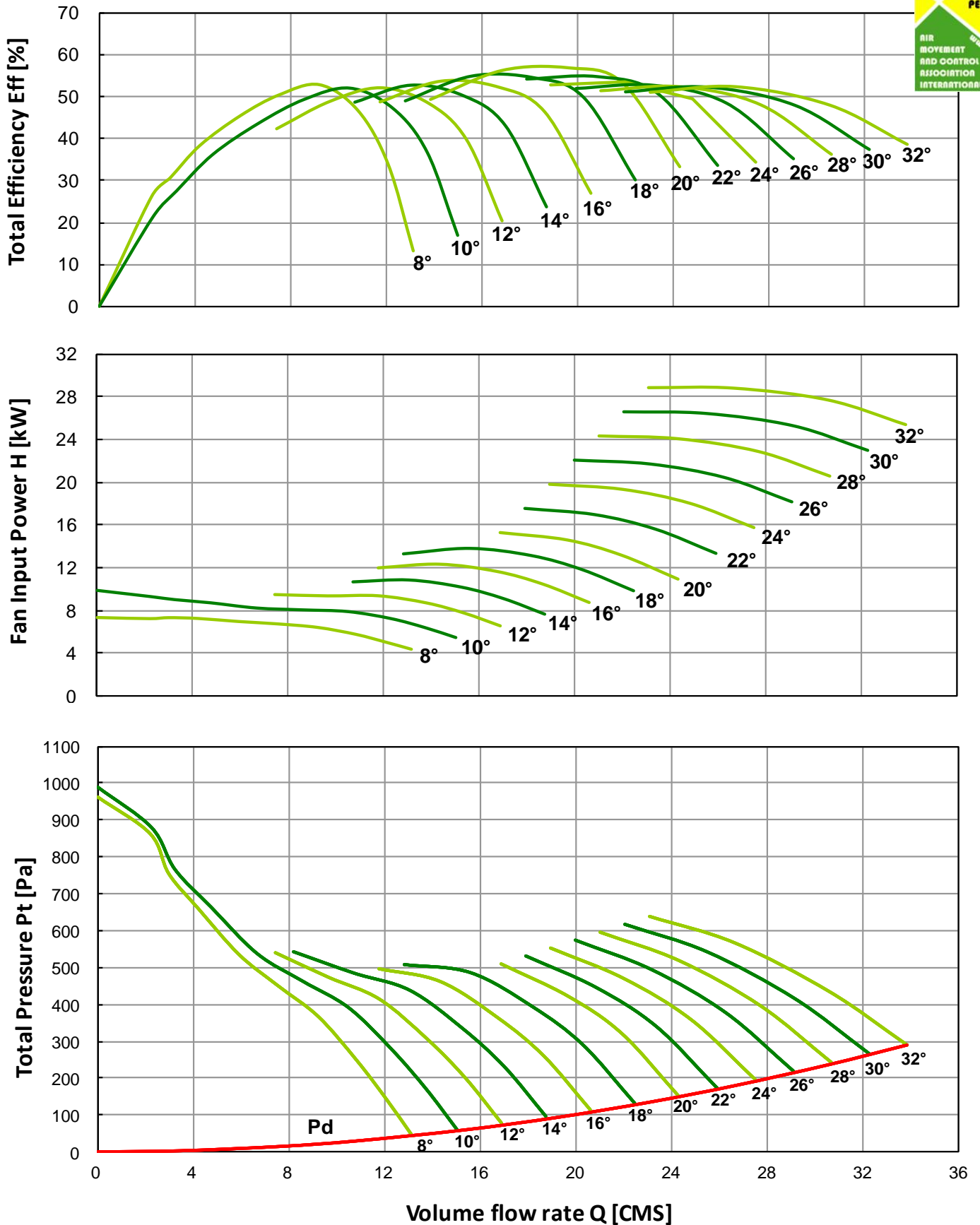
Performance certified is for installation type A: free inlet, free outlet. Performance ratings do not include the effects of appurtenances (accessories).

LASD-1400-550-14 (60 Hz) Performance Curves

FEG 60



Fan Speed $N = 880$ [rpm] Outlet Area $A = 1.539$ [m²] $\rho = 1.2$ kg/m³



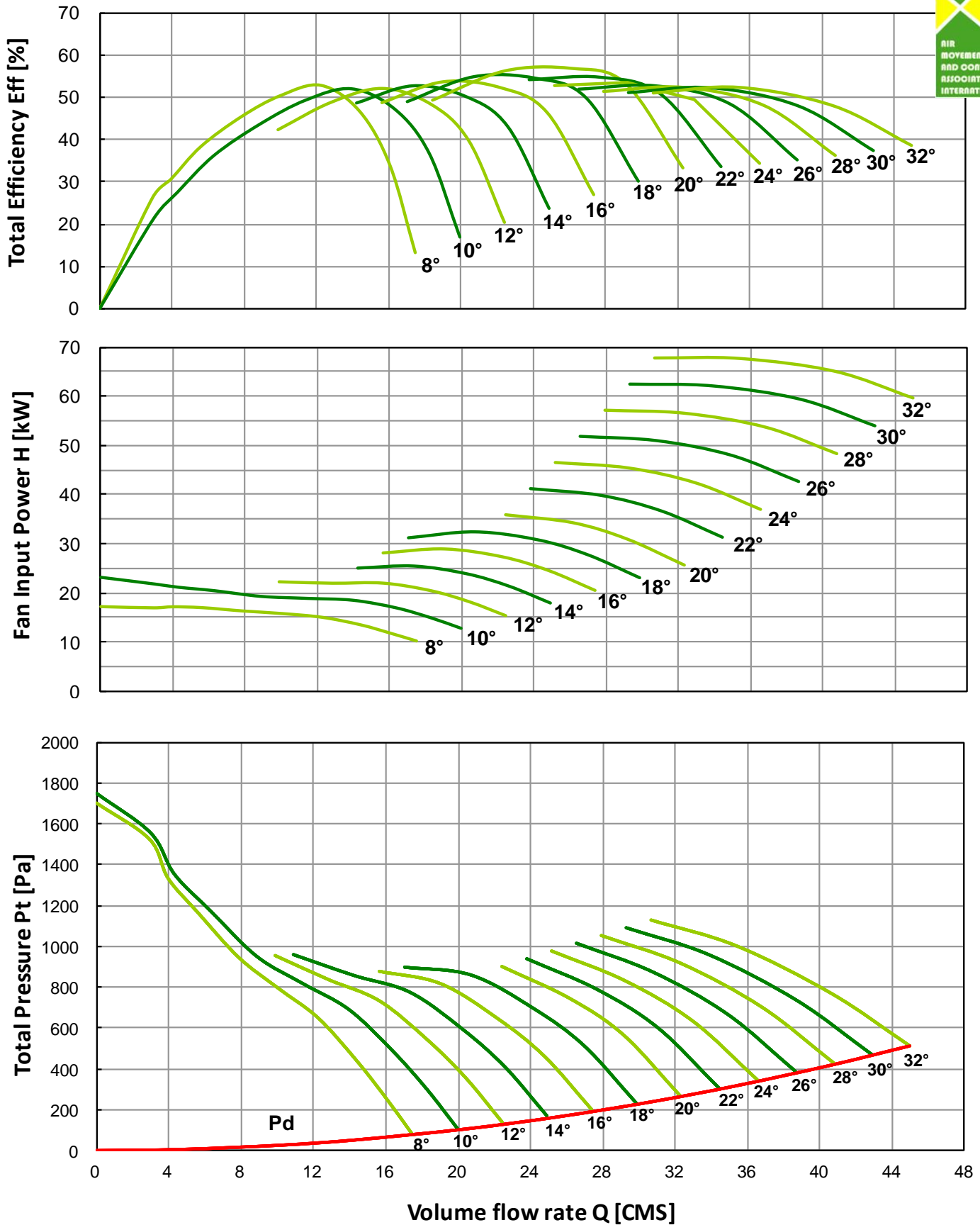
Performance certified is for installation type A: free inlet, free outlet. Performance ratings do not include the effects of **appurtenances** (accessories).

LASD-1400-550-14 (60 Hz) Performance Curves

FEG 60



Fan Speed N = 1170 [rpm] Outlet Area A = 1.539 [m²] ρ = 1.2kg/m



Performance certified is for installation type A: free inlet, free outlet. Performance ratings do not include the effects of **appurtenances** (accessories).

LASD-1400-550 (60 Hz) Sound Data[dB]



Model No.	N [RPM]	Ps [Pa]	Sound Power re 10 ⁻¹² Watts Octave Band [Hz]								L _w oA [dB]
			63	125	250	500	1000	2000	4000	8000	
LASD-1400-550-7/8°	880	57	101	101	97	95	94	95	85	75	100
LASD-1400-550-7/8°	880	133	98	99	98	97	96	96	85	75	101
LASD-1400-550-7/8°	880	217	95	98	100	99	96	93	84	76	101
LASD-1400-550-7/8°	880	284	95	100	102	98	94	91	85	78	100
LASD-1400-550-7/20°	880	7	107	107	103	99	95	93	86	79	102
LASD-1400-550-7/20°	880	125	106	105	102	98	94	91	87	82	101
LASD-1400-550-7/20°	880	260	104	104	102	99	96	92	89	85	102
LASD-1400-550-7/20°	880	379	101	107	107	103	99	94	90	85	105
LASD-1400-550-7/32°	880	0	109	109	106	102	98	95	92	89	105
LASD-1400-550-7/32°	880	67	108	108	105	101	98	95	92	89	104
LASD-1400-550-7/32°	880	239	107	107	104	100	99	96	93	90	104
LASD-1400-550-7/32°	880	344	106	106	103	100	99	96	93	90	104
LASD-1400-550-7/8°	1170	100	107	107	105	102	100	100	97	84	106
LASD-1400-550-7/8°	1170	235	105	105	105	103	103	102	97	85	108
LASD-1400-550-7/8°	1170	383	102	103	105	106	104	100	95	85	108
LASD-1400-550-7/8°	1170	502	101	103	108	106	101	98	94	87	107
LASD-1400-550-7/20°	1170	13	114	114	111	107	103	99	96	87	109
LASD-1400-550-7/20°	1170	222	112	112	110	106	102	98	95	92	108
LASD-1400-550-7/20°	1170	459	110	110	108	106	103	100	97	93	109
LASD-1400-550-7/20°	1170	671	106	109	114	110	106	101	97	92	112
LASD-1400-550-7/32°	1170	0	115	115	114	110	106	103	99	96	112
LASD-1400-550-7/32°	1170	119	115	114	113	109	106	103	100	97	112
LASD-1400-550-7/32°	1170	423	113	113	112	108	105	104	100	97	111
LASD-1400-550-7/32°	1170	607	112	112	111	107	105	104	100	97	111

The sound power level ratings shown are in decibels referred to 10⁻¹² watts, calculated per AMCA International Standard 301. The A-weighted sound ratings shown have been calculated per AMCA International Standard 301. Values shown are for outlet L_wo and L_woA sound power levels for installation Type A: free inlet, free outlet.

LASD-1400-550 (60 Hz) Sound Data[dB]



Model No.	N [RPM]	Ps [Pa]	Sound Power re 10 ⁻¹² Watts Octave Band [Hz]								L _w oA [dB]
			63	125	250	500	1000	2000	4000	8000	
LASD-1400-550-14/8°	880	114	89	97	100	95	94	95	85	75	100
LASD-1400-550-14/8°	880	203	89	97	100	100	99	97	87	78	103
LASD-1400-550-14/8°	880	306	89	97	101	101	98	96	85	77	103
LASD-1400-550-14/8°	880	397	90	99	102	101	97	94	85	76	102
LASD-1400-550-14/20°	880	114	97	105	108	101	98	97	89	80	105
LASD-1400-550-14/20°	880	226	98	105	107	101	98	97	90	82	105
LASD-1400-550-14/20°	880	306	96	103	106	102	100	97	91	84	105
LASD-1400-550-14/20°	880	399	96	103	108	105	102	97	90	84	107
LASD-1400-550-14/32°	880	0	103	107	111	104	100	101	96	86	108
LASD-1400-550-14/32°	880	91	102	106	110	103	100	96	92	87	106
LASD-1400-550-14/32°	880	322	101	105	109	102	100	97	93	89	106
LASD-1400-550-14/32°	880	463	101	105	108	102	100	97	93	89	105
LASD-1400-550-14/8°	1170	201	95	98	107	104	103	104	100	89	109
LASD-1400-550-14/8°	1170	359	95	98	106	105	106	104	99	87	110
LASD-1400-550-14/8°	1170	541	95	98	107	106	107	102	97	86	110
LASD-1400-550-14/8°	1170	702	96	100	109	108	105	101	96	85	110
LASD-1400-550-14/20°	1170	201	103	106	114	109	105	103	100	92	112
LASD-1400-550-14/20°	1170	399	104	106	113	106	105	103	100	93	111
LASD-1400-550-14/20°	1170	541	102	105	113	111	107	105	100	93	113
LASD-1400-550-14/20°	1170	705	102	105	113	113	109	105	99	93	114
LASD-1400-550-14/32°	1170	0	109	110	117	112	108	105	109	94	116
LASD-1400-550-14/32°	1170	160	108	109	116	111	107	104	100	96	113
LASD-1400-550-14/32°	1170	570	107	108	116	110	107	105	101	97	113
LASD-1400-550-14/32°	1170	819	107	107	115	110	107	105	101	97	113

The sound power level ratings shown are in decibels referred to 10⁻¹² watts, calculated per AMCA International Standard 301. The A-weighted sound ratings shown have been calculated per AMCA International Standard 301. Values shown are for outlet L_wo and L_woA sound power levels for installation Type A: free inlet, free outlet.