

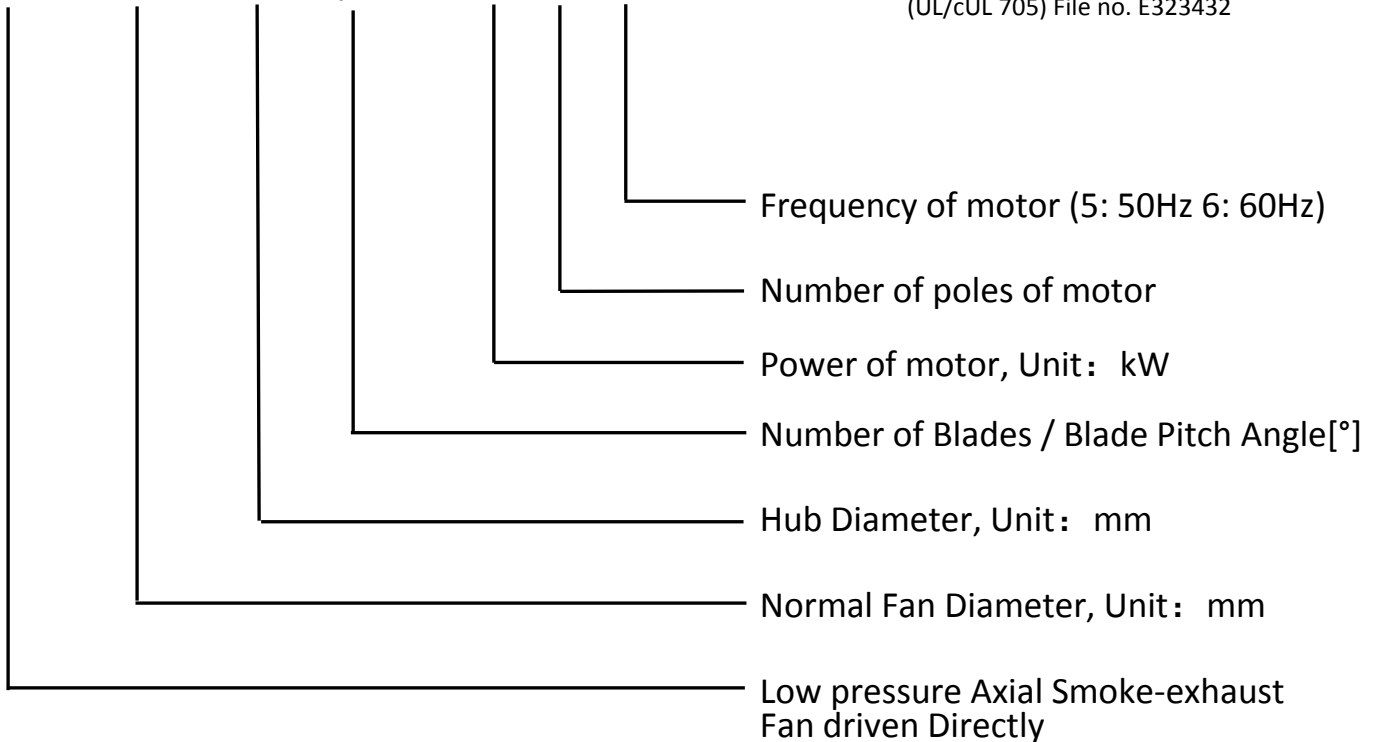
Low Pressure Axial Smoke-exhaust Fan Driven Directly



FLOWTECH Co., Ltd. certifies that the LASD-1400 shown herein are licensed to bear the AMCA Seal. The ratings shown are based on tests and procedures performed in accordance with AMCA Publication 211 and AMCA Publication 311 and comply with the requirements of the AMCA Certified Ratings Program.

Fan code

LASD-1400 -550-7/20°- 15- 8 - 6



POWER VENTILATOR 45GD

LASD 1400 is listed for electrical (UL/cUL 705) File no. E323432

Casing

Version: L (light version)

Casings are spun of sheet galvanized steel with integral inlet flanges on both ends, mounting hole drilled in accordance to DIN 24154, R2. The strengthen structure is order to pad-mounted motors, foot-motors or flange-motors. It is suitable for duct or plenum type installation. This version is for all applications including smoke-extract and normal conditions in the HVAC-market.assemblies.

Version 2: H (heavy version)

Fan case and motor mounting made of hot-rolled steel, after welding that all steel parts are hot dip galvanized manufacturing. This version is for higher demands, for heavy industry or for high performances. Flanges on both ends, drilled in accordance to DIN 24154, R2 are integrated. On this type external terminal boxes are fitted as standard. If motors are with lubrication, tubes and grease-nipples are fitted outside fan case.

Propeller

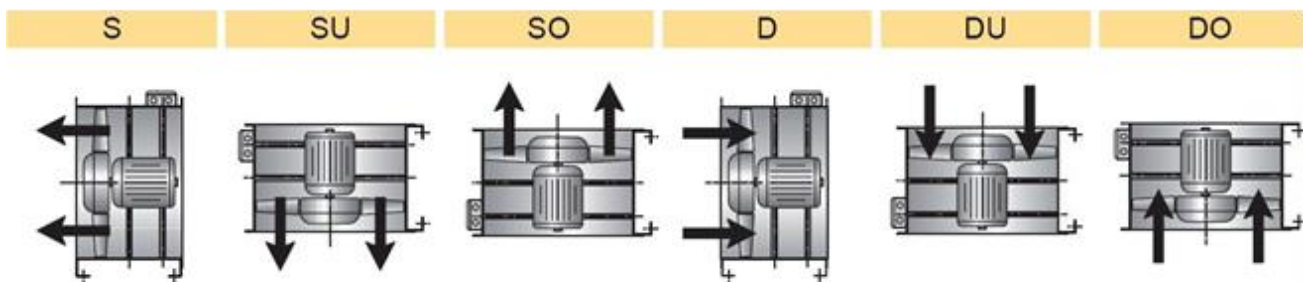
The Flowtech-propellers, hubs and blades are made of cast aluminum alloy, the aero-dynamical profile guarantees high efficiency and low noise. The blades are with adjustable pitch angle to optimum the duty point. The solidity varies for a wider range of performance. All rotating aluminum components are X-ray examined to ensure quality and reliability. All propellers are statically and dynamically balanced to ISO 1940 and AMCA 204 balance quality grade level-G2.5.

Motors

Flowtech uses as standard closed squirrel cage motors with pad-mounting and airstream rated to IEC 34, if required also in accordance to EPACT. The standard motors have Class H and enclosure IP 54. Continuous operating ranges from -40 °C to +40 °C, other operating conditions on demand. Multi speed versions with 2 or 3 speeds, TAB- or DUAL-wounded are also available. The motor bearings have L 10 (or L 50) life design. All motors are can be manufactured to correspond to F200, F300 or F400 requirements for smoke-extract application.

Forms of running

Flowtech-Axial flow fans are available for all forms of running. The chart information shows all standard forms of running, please indicate when ordering. Performance for form of running “D” are not certified by AMCA International. Form of running is especially relevant when weather proof motors are required.



Arrows indicating correct rotating and direction of airflow are mounted on the outside of the fan case.

Dimensions (Unit: mm)

Feet mounting

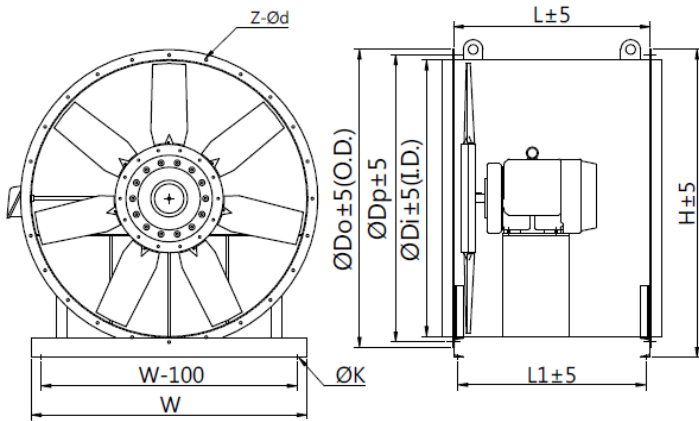


Fig. 1

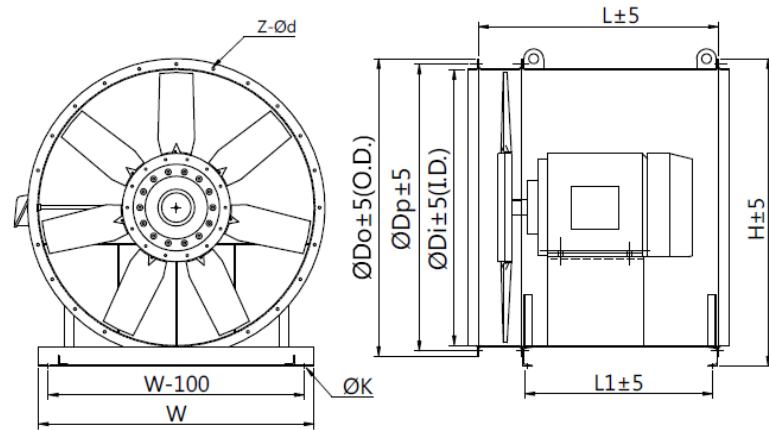


Fig. 2

Fan Size	Di	Dp	Do	Z x d	L	L1	W	K	H	Max. Motor Frame size	Fig. No.
1400	1400	1455	1510	16x14	1000	942	1400	22	1559	≤225S	Fig. 1
1400	1400	1455	1510	16x14	1220	942	1400	22	1559	<280M	Fig. 2

Ceiling Hanging

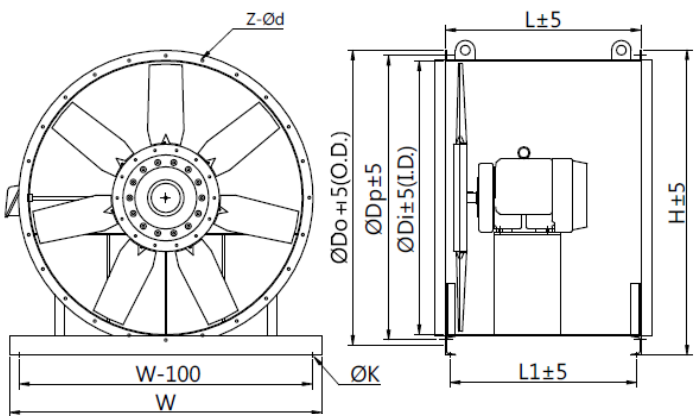


Fig. 3

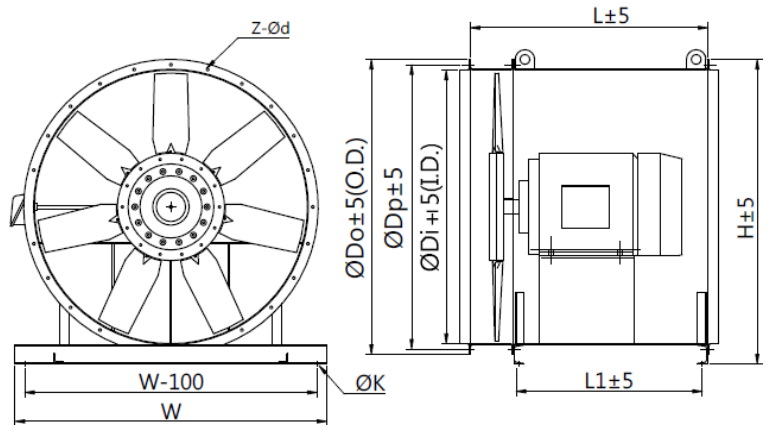


Fig. 4

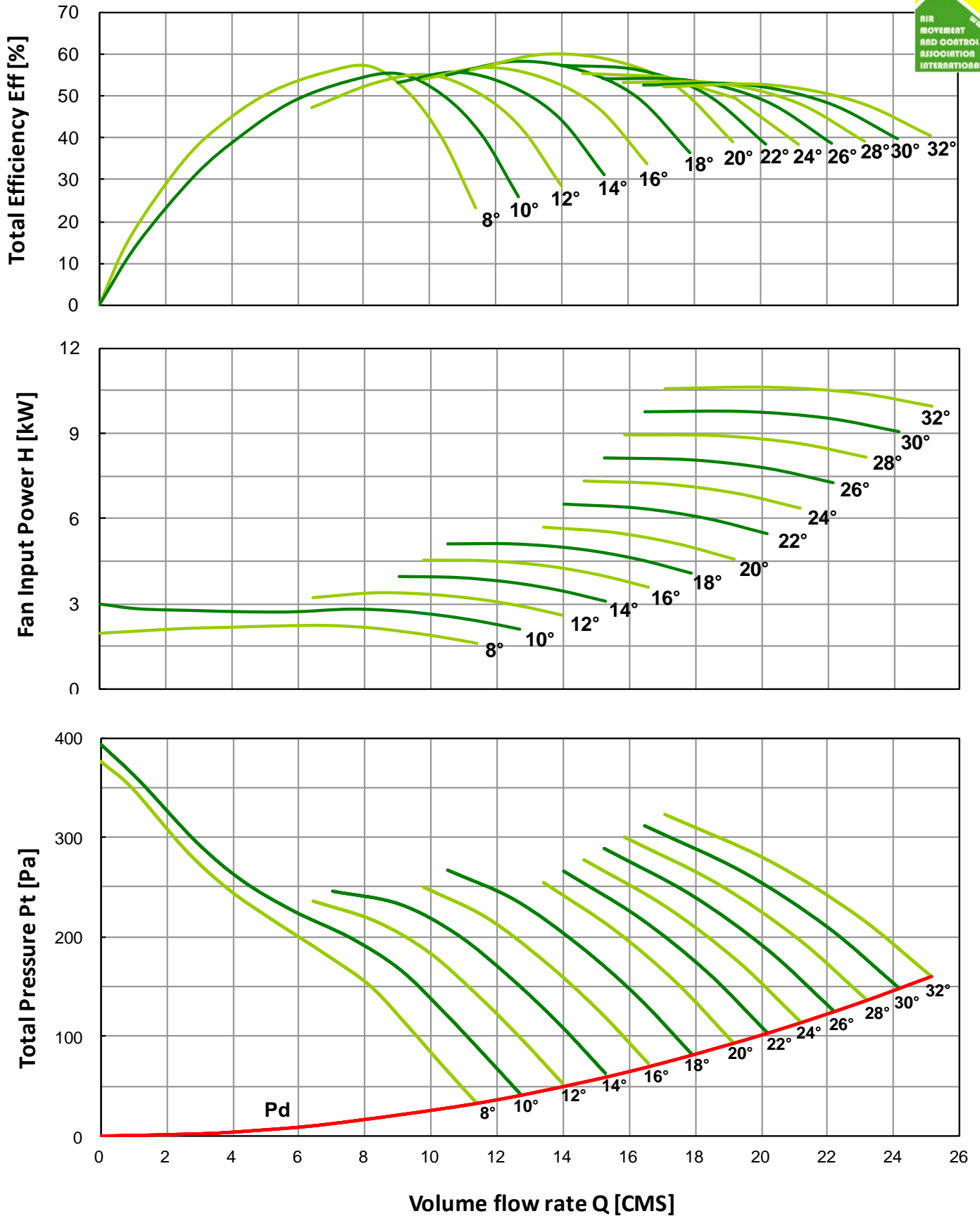
Fan Size	Di	Dp	Do	Z x d	L	L1	W	K	H	Max. Motor Frame size	Fig. No.
1400	1400	1455	1510	16x14	1000	942	1600	22	1559	≤225S	Fig. 3
1400	1400	1455	1510	16x14	1220	942	1600	22	1559	<280M	Fig. 4

LASD-1400-550-7 (50 Hz) Performance Curves

FEG 63



Fan Speed $N = 720$ [rpm] Outlet Area $A = 1.539$ [m²] $\rho = 1.2$ kg/m³



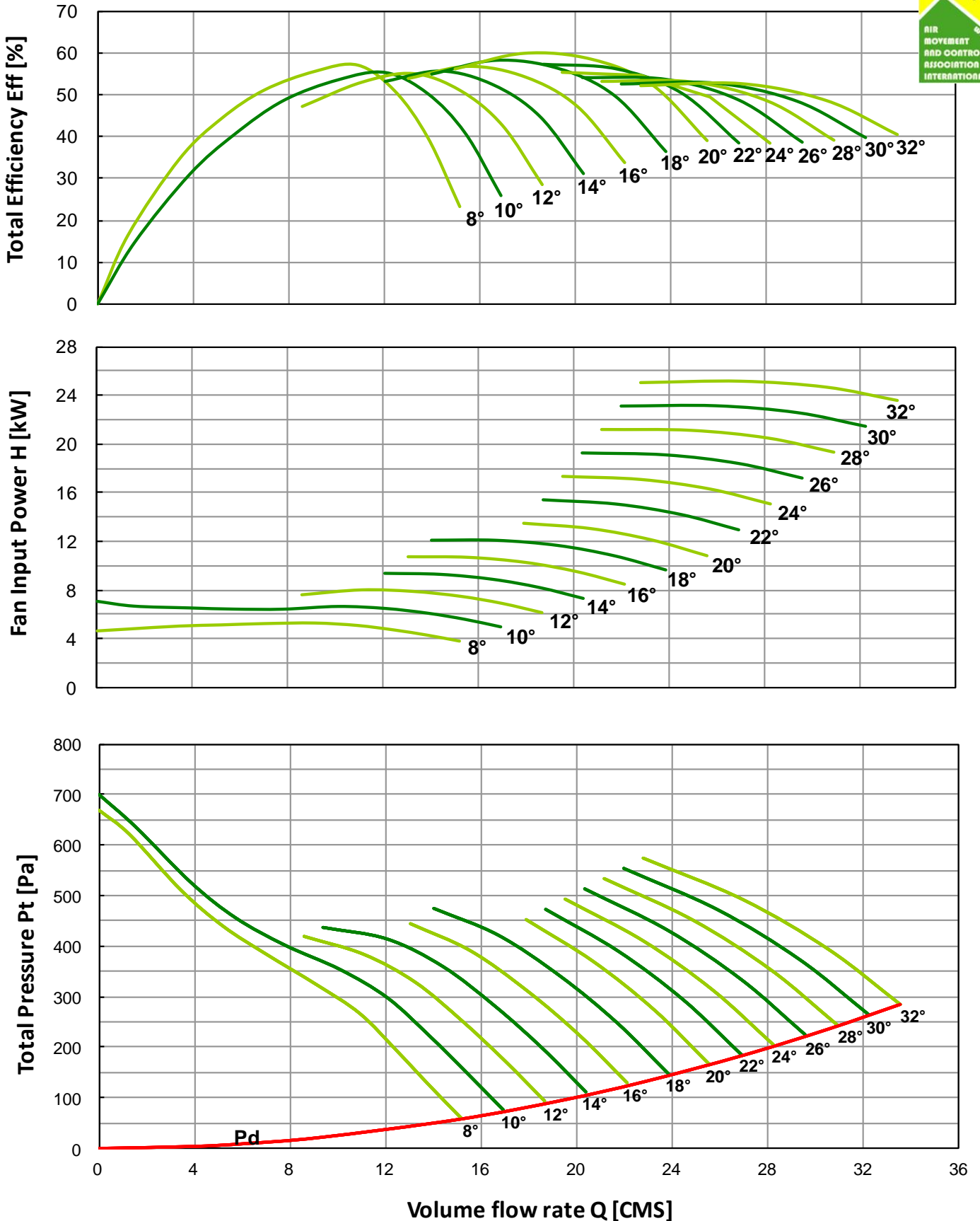
Performance certified is for installation type A: free inlet, free outlet. Performance ratings do not include the effects of appurtenances (accessories).

LASD-1400-550-7 (50 Hz) Performance Curves

FEG 63



Fan Speed $N = 960$ [rpm] Outlet Area $A = 1.539$ [m²] $\rho = 1.2$ kg/m³



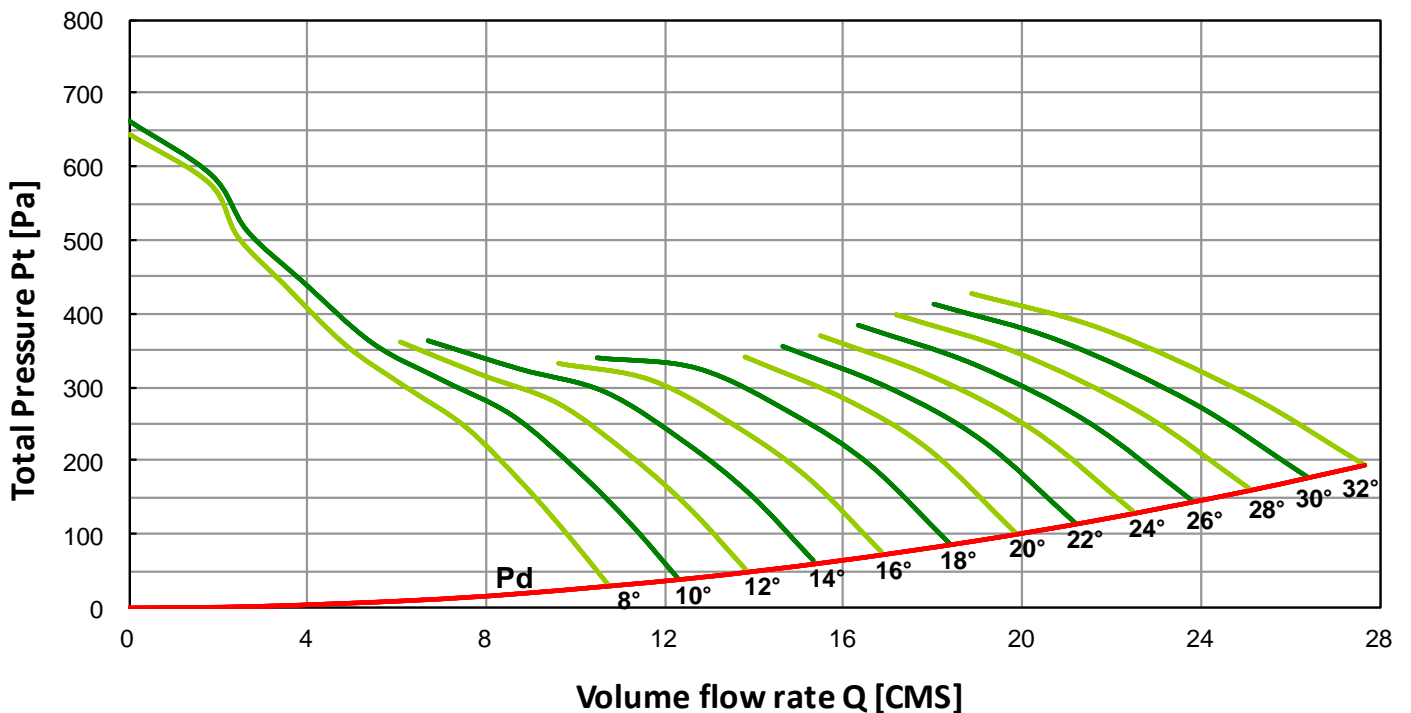
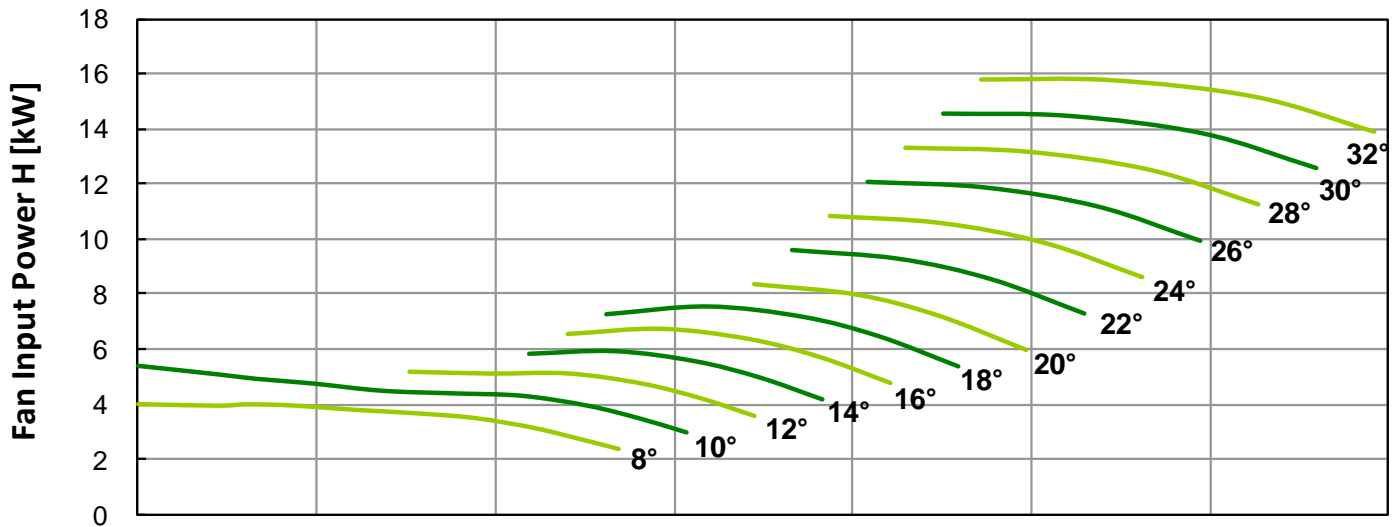
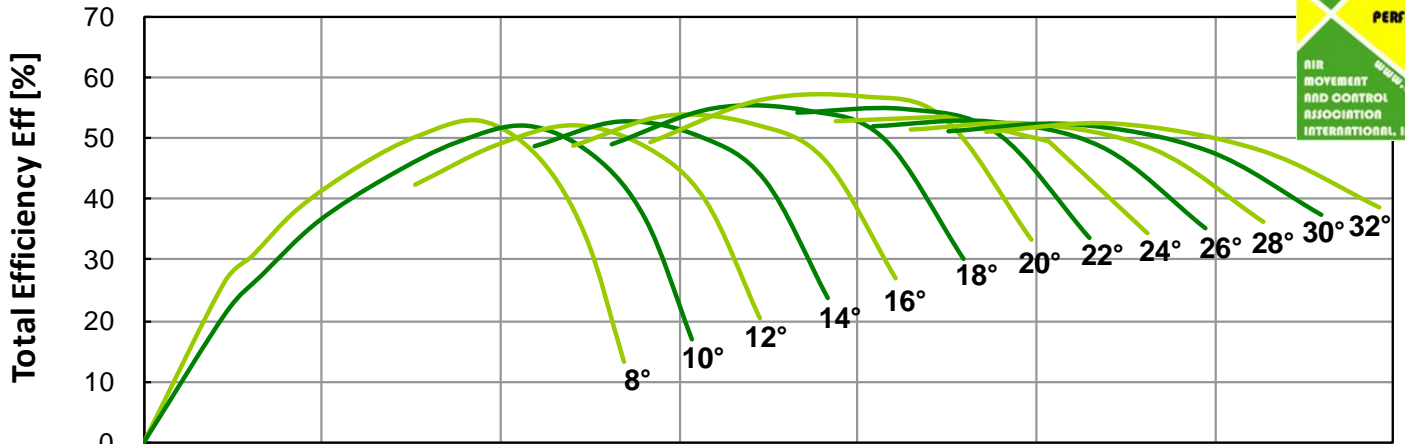
Performance certified is for installation type A: free inlet, free outlet. Performance ratings do not include the effects of **appurtenances** (accessories).

LASD-1400-550-14 (50 Hz) Performance Curves

FEG 60



Fan Speed $N = 720$ [rpm] Outlet Area $A = 1.539$ [m²] $\rho = 1.2$ kg/m³



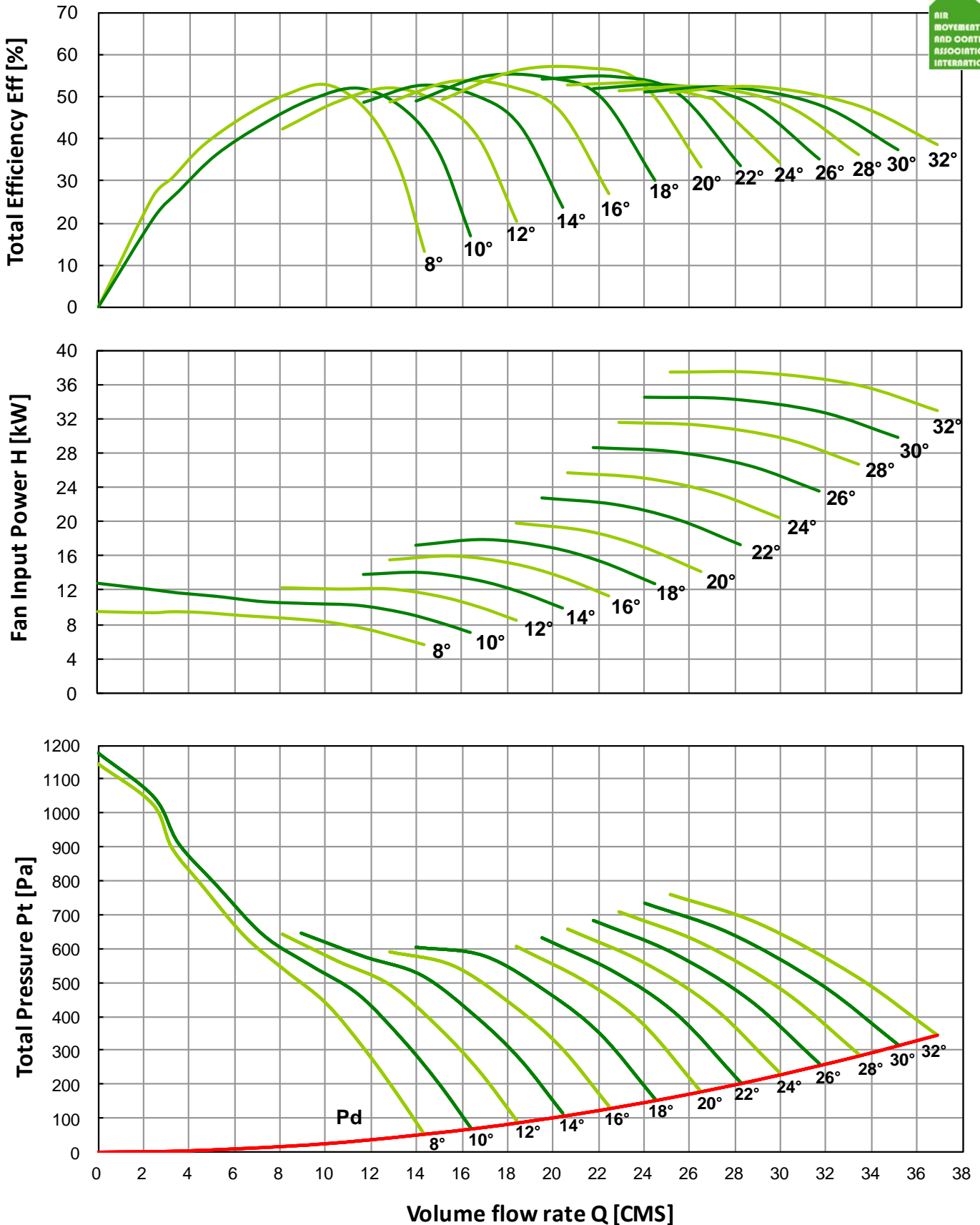
Performance certified is for installation type A: free inlet, free outlet. Performance ratings do not include the effects of **appurtenances** (accessories).

LASD-1400-550-14 (50 Hz) Performance Curves

FEG 60



Fan Speed $N = 960$ [rpm] Outlet Area $A = 1.539$ [m²] $\rho = 1.2$ kg/m



Performance certified is for installation type A: free inlet, free outlet. Performance ratings do not include the effects of **appurtenances** (accessories).

LASD-1400-550 (50 Hz) Sound Data[dB]



Model No.	N [RPM]	Ps [Pa]	Sound Power re 10 ⁻¹² Watts Octave Band [Hz]								L _{woA} [dB]
			63	125	250	500	1000	2000	4000	8000	
LASD-1400-550-7/8°	720	38	96	96	92	90	89	91	76	69	95
LASD-1400-550-7/8°	720	89	94	95	93	93	91	91	76	69	96
LASD-1400-550-7/8°	720	145	91	94	96	95	90	88	77	70	96
LASD-1400-550-7/8°	720	190	91	98	97	92	88	86	78	72	95
LASD-1400-550-7/20°	720	5	103	102	98	94	89	89	79	72	97
LASD-1400-550-7/20°	720	84	101	100	97	93	91	85	81	76	96
LASD-1400-550-7/20°	720	174	99	98	97	93	91	87	84	79	96
LASD-1400-550-7/20°	720	254	97	105	102	96	93	88	84	79	99
LASD-1400-550-7/32°	720	0	104	104	100	96	93	90	87	84	99
LASD-1400-550-7/32°	720	45	104	104	100	96	93	90	87	84	99
LASD-1400-550-7/32°	720	160	102	102	98	95	94	91	87	85	99
LASD-1400-550-7/32°	720	230	101	102	98	95	94	91	87	84	99
LASD-1400-550-7/8°	960	68	103	103	100	97	96	97	89	78	102
LASD-1400-550-7/8°	960	158	100	101	100	99	98	97	89	78	103
LASD-1400-550-7/8°	960	258	97	99	101	101	98	95	88	79	103
LASD-1400-550-7/8°	960	338	97	101	104	100	96	93	88	81	102
LASD-1400-550-7/20°	960	9	109	109	106	102	97	95	89	81	104
LASD-1400-550-7/20°	960	149	107	107	105	101	96	93	89	84	103
LASD-1400-550-7/20°	960	309	106	106	104	101	98	95	92	88	104
LASD-1400-550-7/20°	960	452	103	108	109	106	101	97	92	88	107
LASD-1400-550-7/32°	960	0	111	111	108	104	101	97	94	91	107
LASD-1400-550-7/32°	960	80	110	110	108	104	101	98	94	92	107
LASD-1400-550-7/32°	960	284	109	109	106	103	101	98	95	92	106
LASD-1400-550-7/32°	960	409	108	108	106	102	101	98	95	92	106

The sound power level ratings shown are in decibels referred to 10⁻¹² watts, calculated per AMCA International Standard 301. The A-weighted sound ratings shown have been calculated per AMCA International Standard 301. Values shown are for outlet Lwo and LwoA sound power levels for installation Type A: free inlet, free outlet.

LASD-1400-550 (50 Hz) Sound Data[dB]



Model No.	N [RPM]	Ps [Pa]	Sound Power re 10 ⁻¹² Watts Octave Band [Hz]								L _w oA [dB]
			63	125	250	500	1000	2000	4000	8000	
LASD-1400-550-14/8°	720	76	84	97	94	93	93	94	80	73	98
LASD-1400-550-14/8°	720	136	85	96	93	96	94	92	78	72	98
LASD-1400-550-14/8°	720	205	84	96	95	98	92	91	77	70	98
LASD-1400-550-14/8°	720	266	85	98	98	96	92	89	77	70	98
LASD-1400-550-14/20°	720	76	92	104	100	96	93	92	82	73	99
LASD-1400-550-14/20°	720	151	94	103	97	93	88	85	81	76	95
LASD-1400-550-14/20°	720	174	99	98	97	93	91	87	84	79	96
LASD-1400-550-14/20°	720	254	97	105	102	97	93	88	84	79	99
LASD-1400-550-14/32°	720	0	108	108	104	100	97	94	91	87	103
LASD-1400-550-14/32°	720	61	107	107	104	100	97	94	91	88	103
LASD-1400-550-14/32°	720	216	106	106	102	99	97	95	91	88	103
LASD-1400-550-14/32°	720	310	105	105	102	99	97	95	91	88	103
LASD-1400-550-14/8°	960	135	90	97	102	99	99	100	92	82	105
LASD-1400-550-14/8°	960	242	91	97	102	101	101	99	90	81	105
LASD-1400-550-14/8°	960	364	90	97	102	103	101	98	89	79	105
LASD-1400-550-14/8°	960	473	92	99	104	103	100	96	88	79	105
LASD-1400-550-14/20°	960	135	99	105	110	104	100	99	92	83	107
LASD-1400-550-14/20°	960	268	100	105	109	103	101	99	93	85	107
LASD-1400-550-14/20°	960	309	98	104	108	104	102	99	94	87	107
LASD-1400-550-14/20°	960	452	98	103	109	108	104	100	93	87	109
LASD-1400-550-14/32°	960	0	114	114	114	108	105	101	98	95	111
LASD-1400-550-14/32°	960	108	113	113	113	108	104	102	98	95	111
LASD-1400-550-14/32°	960	384	112	112	112	107	104	102	99	96	110
LASD-1400-550-14/32°	960	551	111	111	110	106	104	102	99	96	110

The sound power level ratings shown are in decibels referred to 10⁻¹² watts, calculated per AMCA International Standard 301. The A-weighted sound ratings shown have been calculated per AMCA International Standard 301. Values shown are for outlet L_wo and L_woA sound power levels for installation Type A: free inlet, free outlet.