

# DV-EX and KTEX

AMCA



DV-EX



KTEX



# DV-EX

# Explosion proof Roof fan



### Casing

The casing casing is manufactured from sea water resistant aluminium. The base frame is manufactured from galvanised steel and the inlet cone from copper. A powder coated bird guard manufactured from galvanised steel is integrated in the casing.

Radial impeller with backward curved blades manufactured from galvanised steel.

### Motor

Voltage controllable external rotor motors with flying leads.

### Output control

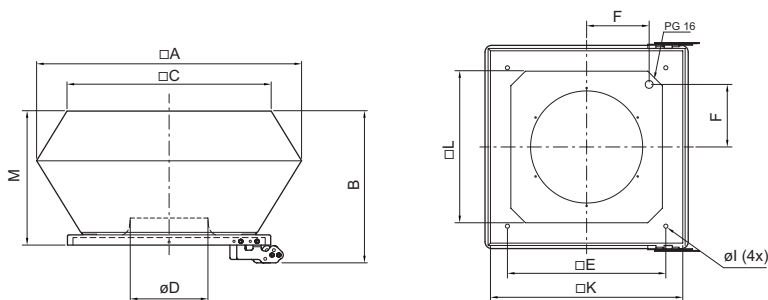
Speed controllable via a 5-step transformer.

### Motor protection

Motor protection via integrated PTC thermistors, to be combined with a motor protection device.

Classification in accordance with 2014/34/EU. The fans can be used for temperature classes T1, T2 and T3. Exhaust of potentially explosive gases in Zone 2 as Groups IIA and IIB is also possible.

## Dimension



Model	A	B	C	∅ D	E	F	∅ I	K	L	M
DV-EX 355D4	900	517	730	289	535	237	12	636	490	465

Dimensions are in mm

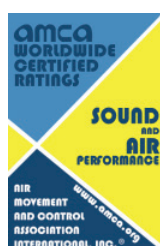
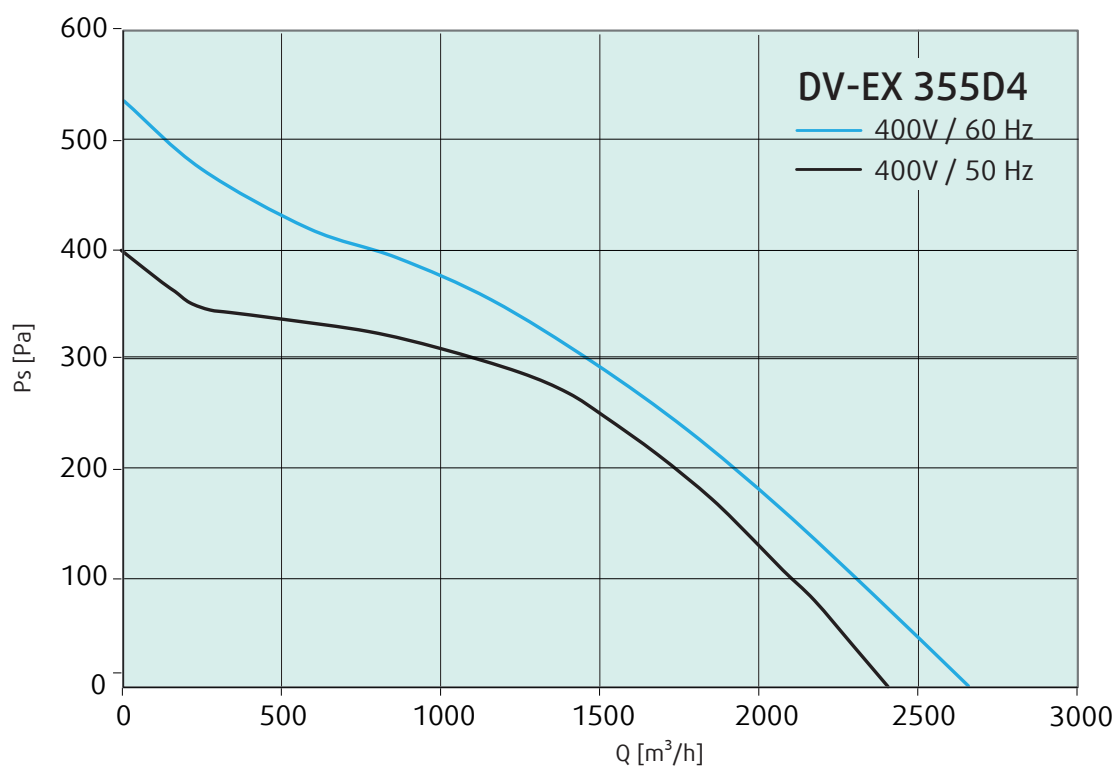


## Performance Data

Model	Article. no.	Voltage	Phase	Frequency	Rated power	Rated amps	Impeller speed	Sound power level outlet at 0 Pa	Sound power level inlet at 0 Pa
		V	~	HZ	W	A	r.p.m.	dB(A)	dB(A)
DV-EX 355D4	237932	400	3	50	260	0.47	1,340	77	72
		400	3	60	360	0.61	1,550	81	76

Performance certified is for installation type D: Ducted inlet, Ducted outlet.  
 Speed (RPM) shown is nominal. Performance is based on actual speed of test.  
 Performance ratings do not include the effects of appurtenances (accessories).

Model	Article. no.	Air flow [m <sup>3</sup> /h]							
		0 Pas	100 Pas	200 Pas	300 Pas	400 Pas	500 Pas	600 Pas	Max Pas
DV-EX 355D4 (50 Hz)	237932	2,358	1,740	1,582	1,055	0	-	-	-
DV-EX 355D4 (60 Hz)	237932	2,654	2,320	1,805	1,470	855	170	-	-



Systemair GmbH certifies that the DV-EX series shown herein is licensed to bear the AMCA seal. The ratings shown are based on tests and procedures performed in accordance with AMCA Publication 211 and AMCA Publication 311 and comply with the requirements of the AMCA Certified Ratings Program.



**Casing**

Rectangular duct fan with casing manufactured from galvanised sheet steel with a brass inlet cone.

Radial impeller with forward curved blades made from galvanised steel.

**Motor**

Voltage controllable external rotor motors with pre-attached cable.

**Output control**

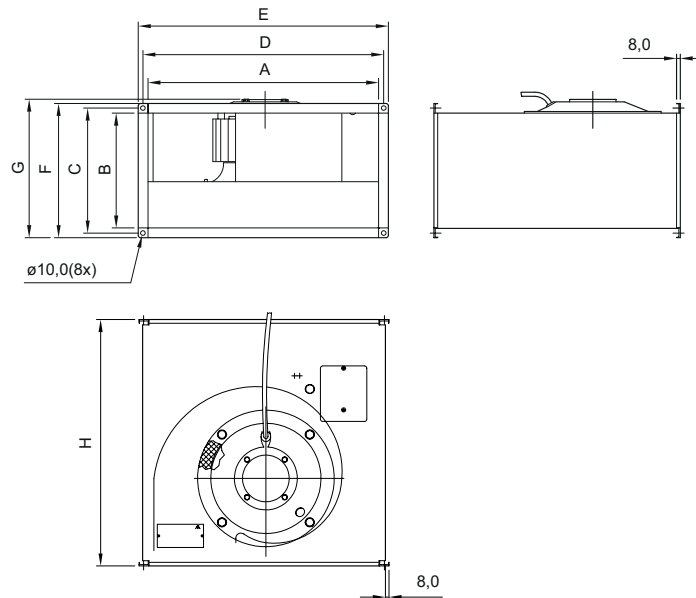
Speed controllable via a 5-stage transformer.

**Motor protection**

Motor protection via PTC thermistors, combined with a separately-connected motor protection device.

The fans can be used for temperature classes T1, T2 and T3 classification in accordance with 2014/34/EU. Conveyance of potentially explosive gases in Zone 2, Groups IIA and IIB as well as for applications with hydrogen is also possible.

**Dimension**



Model	A	B	C	D	E	F	G	H*	I**
KTEX 50-30-4	498	298	320	520	540	640	562	34,5	695
KTEX 60-30-4	598	298	320	620	640	340	642	52	715

H\* = Dimensions from the engine bolts  
 I\*\* = Dimension with fully open hatch.

Dimensions are in mm



## Performance Data

Model	Article. no.	Voltage	Phase	Frequency	Rated power	Rated amps	Impeller speed	Sound power level at 0 Pa
		V	~	HZ	W	A	r.p.m.	dB(A)
KTEX 50-30-4	248086	400	3	50	888	1.77	1,359	84
KTEX 60-30-4	248087	400	3	50	1,246	2.25	1,315	86

Model	Article. no.	Voltage	Phase	Frequency	Rated power	Rated amps	Impeller speed	Sound power level at 0 Pa
		V	~	HZ	W	A	r.p.m.	dB(A)
KTEX 50-30-4	248086	400	3	60	900	1,8	1,770	68
KTEX 60-30-4	248087	400	3	60	1,300	2,2	1,756	87

Performance certified is for installation type D: Ducted inlet, Ducted outlet.  
 Speed (RPM) shown is nominal. Performance is based on actual speed of test.  
 Performance ratings do not include the effects of appurtenances (accessories).

Model	Article. no.	Air flow [m <sup>3</sup> /h]							
		0 Pa <sup>(*)</sup>	100 Pa <sup>(*)</sup>	200 Pa <sup>(*)</sup>	300 Pa <sup>(*)</sup>	400 Pa <sup>(*)</sup>	500 Pa <sup>(*)</sup>	600 Pa <sup>(*)</sup>	Max Pa <sup>(*)</sup>
KTEX 50-30-4 (50 Hz)	248086	2479	2180	1995	1365	-	-	-	-
KTEX 50-30-4 (60 Hz)	248086	-	-	-	2130	1827	1207	-	-

(\*) min backpressure 280 Pa<sub>Stat</sub>

Model	Article. no.	Air flow [m <sup>3</sup> /h]							
		0 Pa <sup>(*)</sup>	100 Pa <sup>(*)</sup>	200 Pa <sup>(*)</sup>	300 Pa <sup>(*)</sup>	400 Pa <sup>(*)</sup>	500 Pa <sup>(*)</sup>	600 Pa <sup>(*)</sup>	Max Pa <sup>(*)</sup>
KTEX 60-30-4 (50 Hz)	248087	3547	3326	3080	2769	2385	1261	-	-
KTEX 60-30-4 (60 Hz)	248087	-	-	-	-	-	2465	1998	-

(\*) min backpressure 480 Pa<sub>Stat</sub>



Systemair GmbH certifies that the KTEX series shown herein is licensed to bear the AMCA seal. The ratings shown are based on tests and procedures performed in accordance with AMCA Publication 211 and AMCA Publication 311 and comply with the requirements of the AMCA Certified Ratings Program.

