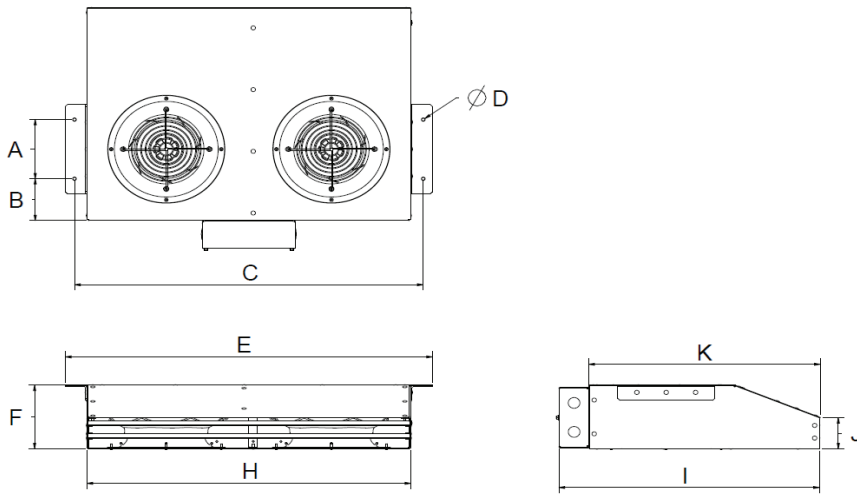


IV Smart EC Series

Centrifugal Induction Jet Fans



Dimensions in inches (millimeters)

	A	B	C	D	E	F	H	I	J	K
	5.5 (140)	3.9 (99)	29.9 (760)	0.31 (8)	31.5 (800)	5.9 (150)	27.8 (706)	22.4 (568)	2.9 (73)	19.9 (505)

Specification Data

Item #	Model	Voltage, V 1ph	Frequency, Hz	Amperage, A	Input Power, W	¹ Flow Rate				² Octave Bands Sound Power Levels, Lw [dB]								³ Total Sound dB(A), LpA @ 10ft	
						RPM	Airflow, CFM (CMH)	Thrust, lbf (N)	Thrust/ Fan input Power, N/kW	63	125	250	500	1000	2000	4000	8000		
95923	IV Smart EC	208-240	50/60	2.75	360	2500	1482 (2518)	2.45 (10.91)	30.31	64	73	80	75	75	77	72	71	64	
95923A																			
95922	IV Smart EC Modbus																		

¹The AMCA Certified Ratings Seal applies to airflow rate at free delivery only. Speed (RPM) shown is nominal. Performance is based on actual speed of test. Performance ratings include the effects of inlet and outlet guards.

²Values shown are for total sound power levels (Lw) for Installation Type A: free inlet, free outlet. The Sound power level ratings shown are in decibels, referred to 10-12 watts, calculated per AMCA Standard 301.

³The sound pressure values (LpA) shown are based on a hemispherical free field at 3.0 m (10 ft). dB(A) levels are not licensed by AMCA international.

Catalog series: IV Smart EC

Revision date: March 2022

Certifications:



Systemair Mfg. Inc. certifies that the IV Smart EC Series shown herein is licensed to bear the AMCA seal. The ratings shown are based on tests and procedures performed in accordance with AMCA Publication 211 and AMCA Publication 311 and comply with the requirements of the AMCA Certified Ratings Program.

