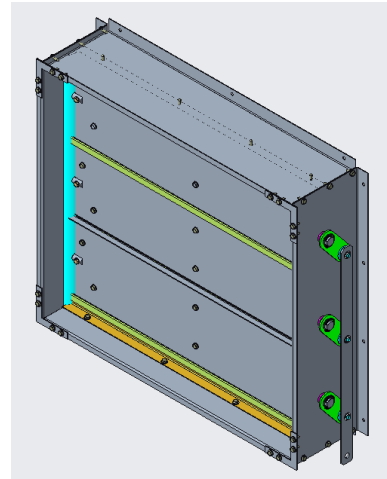


## PREC volume control damper for ultra-low leak economizer application

### General damper description

The PREC series are low leakage galvanized steel dampers for the commercial heating and air conditioning industry. The PREC is typically used in an economizer application, and meet most energy codes including California's Title 24, IECC 2015, and ASHARE 90.1 requirements.

The dampers leak less than 4 cfm/sq. ft. at 1" w.g. (static pressure), and are AMCA licensed as a Class 1 damper at 1" w.g. PREC damper information can be found at [www.trane.com](http://www.trane.com)



### Damper features

The PREC dampers are parallel blade action type and are driven by linkage systems at both sides. Blades and frame are constructed of heavy gage galvanized steel.

Blades are attached to linkage parts by a metal blade shaft at the end of each blade. The shaft rides in a bushing to ensure long life and usage.

Damper sides include stainless steel spring-action seals to ensure minimal leakage at blade ends. Blade edges include "V" shape flex-seals for blade-to-blade and blade to frame seal.

### Damper sizes:

- Minimum damper width: 22" (536.8 mm)
- Minimum damper height: 12" (292.8 mm)
- Maximum damper width: 31.375" (796.925 mm)
- Maximum damper height: 19.08" (484.632 mm)

Note: all damper blades are constructed of 16 gage galvanized steel.

### PREC series damper

#### PREC series damper leakage data

Leakage testing conducted in accordance with AMCA standard 500-D. Data are based on a torque of 47.45 N•m/m<sup>2</sup> (35 in-lb/ft<sup>2</sup>) applied to close and set the damper during the tests. Tested to AMCA Figure 5.4 and 5.6A. Air leakage is based on operation between 0°C – 49°C (32°F – 120°F).

Trane's PREC dampers are AMCA licensed at Class 1 at 1" w.g. and leakage is beyond Class 2 at 4" w.g. HVAC economizers in this size range are generally well under 1" w.g.

Maximum Allowable Leakage, cfm/ft <sup>2</sup>			
Class	at 1 in wg <sup>[1]</sup>	at 4 in wg <sup>[1]</sup>	at x in wg <sup>[2]</sup>
1A	3	N/A	N/A
1	4	8	$\sqrt{x} \times 4$
2	10	20	$\sqrt{x} \times 10$

3	40	80	$\sqrt{x} \times 40$
---	----	----	----------------------



Trane Corporation certifies that the damper models shown herein is licensed to bear the AMCA Seal. The ratings shown are based on tests and procedures performed in accordance with AMCA Publication 511 and comply with requirements of the AMCA Certified Ratings Programs. The AMCA Certified Ratings Seal applies to Air Leakage and Air Performance ratings.

### PREC series damper pressure drop data

Pressure drop tests were conducted in accordance with AMCA Standard 500-D using AMCA Figure 5.5. All data has been corrected to represent standard air at a density of .075 lb/ft<sup>2</sup> (1,201 kg/m<sup>3</sup>)  
 The test results below are for a 12" w x 12" h volume damper.

