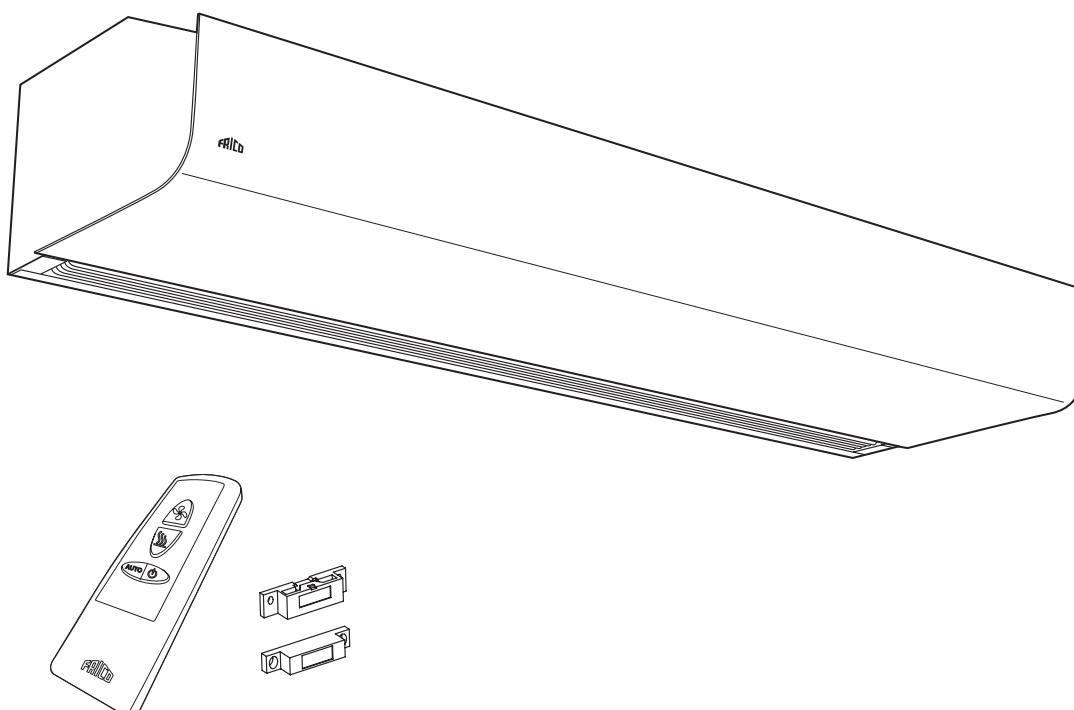


Original instructions  
**PAEC3200C (NA)**



EN .... 15

FR .... 21



Frico AB certifies that the PAEC3200CA, PAEC3200CE and PAEC3200CW air curtains shown herein are licensed to bear the AMCA Seal. The ratings shown are based on tests and procedures performed in accordance with AMCA Publication 211 and AMCA Publication 311 and comply with the requirements of the AMCA Certified Ratings Program. The AMCA Certified Ratings Seal applies to airflow rate, average outlet velocity, outlet velocity uniformity, velocity projection and power rating at free delivery only.

# PAEC3200C

## Metric chart

♣ Ambient, no heat - PAEC3200CA (IP21)

Type	Output [kW]	Airflow* <sup>1</sup> [m <sup>3</sup> /h]	Sound power* <sup>2</sup> [dB(A)]	Motor power [W]	Voltage motor [V]	Amperage motor [A]	Weight [kg]
PAEC3210CA-NA	0	1750	73	135	208V~	0.86	22
PAEC3215CA-NA	0	2450	72	147	208V~	0.94	32
PAEC3220CA-NA	0	3500	75	270	208V~	1.72	42

♠ Electrical heat - PAEC3200CE (IP20)

Type	Output steps [kW]	Airflow* <sup>1</sup> [m <sup>3</sup> /h]	Sound power* <sup>2</sup> [dB(A)]	FLA (full load amperage)* <sup>3</sup> [A]	Motor power [W]	Amperage motor [A]	Voltage [V] Amperage [A] (heat)	Weight [kg]
PAEC3210CE-208-NA	4/7	1750	73	21	135	0.86	208V3~/19	26
PAEC3215CE-208-NA	7/10	2450	72	29	147	0.94	208V3~/28	37
PAEC3220CE-208-NA	8/13	3500	75	39	270	1.72	208V3~/36	51
PAEC3210CE-480-NA	4/8	1750	73	11	135	0.86	480V3~/10	26
PAEC3215CE-480-NA	6/12	2450	72	16	147	0.94	480V3~/15	37
PAEC3220CE-480-NA	8/16	3500	75	21	270	1.71	480V3~/20	51
PAEC3210CE-600-NA	4/8	1750	73	9	135	0.86	600V3~/8	26
PAEC3215CE-600-NA	6/12	2450	72	13	147	0.94	600V3~/12	37
PAEC3220CE-600-NA	8/16	3500	75	17	270	1.71	600V3~/16	51

♣ Water heat - PAEC3200CW (IP21)

Type	Output* <sup>4</sup> [kW]	Airflow* <sup>1</sup> [m <sup>3</sup> /h]	Sound power* <sup>2</sup> [dB(A)]	Motor power [W]	Voltage motor [V]	Amperage motor [A]	Water volume [l]	Weight [kg]
PAEC3210CW-NA	8	1460	72	109	208V~	0.71	1.3	26
PAEC3215CW-NA	14	2150	72	135	208V~	0.86	2.1	36
PAEC3220CW-NA	19	2920	74	218	208V~	1.42	2.7	48

\*<sup>1</sup>) Highest airflow of totally 3 fan steps.

\*<sup>2</sup>) Values shown are for total sound power levels for Installation Type A: free inlet, free outlet. The Sound power level ratings shown are in decibels, referred to 10-12 watts, calculated per AMCA Standard 301.

\*<sup>3</sup>) FLA: total amperage for motor and heat.

\*<sup>4</sup>) Applicable at water temperature 60/40 °C, air temperature, in +18 °C.

Above table is valid for 208V/1ph/60Hz. Also approved for 230V/1ph/60Hz. Product performance for 230V/1ph/60Hz will differ from stated data.

Protection class for units with electrical heating: IP20.

Protection class for units without heating and units with water heating: IP21.

CE compliant.

Type	Nozzle deep x width [mm]	Max Velocity at nozzle [m/s]	Outlet Velocity [m/s]	Outlet Velocity Uniformity [%]
PAEC3210CA/CE-208/CE-480/CE-600	65x975	11,92	10,03	81
PAEC3215CA/CE-208/CE-480/CE-600	65x1485	11,52	9,45	80
PAEC3220CA/CE-208/CE-480/CE-600	65x1975	11,92	10,03	81
PAEC3210CW-NA	65x975	11,00	9,07	75
PAEC3215CW-NA	65x1485	9,10	7,85	82
PAEC3220CW-NA	65x1975	11,00	9,07	75



Frico AB certifies that the PAEC3200CA, PAEC3200CE and PAEC3200CW air curtains shown herein are licensed to bear the AMCA Seal. The ratings shown are based on tests and procedures performed in accordance with AMCA Publication 211 and AMCA Publication 311 and comply with the requirements of the AMCA Certified Ratings Program. The AMCA Certified Ratings Seal applies to airflow rate, average outlet velocity, outlet velocity uniformity, velocity projection and power rating at free delivery only.

**Imperial chart**

✦ Ambient, no heat - PAEC3200CA (IP21)

Type	Output [MBH]	Airflow*1 [cfm]	Sound power*2 [dB(A)]	Motor power [W]	Voltage motor [V]	Amperage motor [A]	Weight [lb]
PAEC3210CA-NA	0	1150	73	135	208V~	0.86	49
PAEC3215CA-NA	0	1600	72	147	208V~	0.94	71
PAEC3220CA-NA	0	2250	75	270	208V~	0.72	93

⚡ Electrical heat - PAEC3200CE (IP20)

Type	Output steps [MBH]	Airflow*1 [cfm]	Sound power*2 [dB(A)]	FLA (full load amperage)*3 [A]	Motor power [W]	Amperage motor [A]	Voltage [V] Amperage [A] (heat)	Weight [lb]
PAEC3210CE-208-NA	14/24	1150	73	21	135	0.86	208V3~/19	57
PAEC3215CE-208-NA	24/34	1600	72	29	147	0.94	208V3~/28	82
PAEC3220CE-208-NA	27/44	2250	75	39	270	1.71	208V3~/36	112
PAEC3210CE-480-NA	14/27	1150	73	11	135	0.86	480V3~/10	57
PAEC3215CE-480-NA	20/41	1600	72	16	147	0.94	480V3~/15	82
PAEC3220CE-480-NA	27/55	2250	75	21	270	1.71	480V3~/20	112
PAEC3210CE-600-NA	14/27	1150	73	9	135	0.86	600V3~/8	57
PAEC3215CE-600-NA	20/41	1600	72	13	147	0.94	600V3~/12	82
PAEC3220CE-600-NA	27/55	2250	75	17	270	1.71	600V3~/16	112

💧 Water heat - PAEC3200CW (IP21)

Type	Output*4 [MBH]	Airflow*1 [cfm]	Sound power*2 [dB(A)]	Motor power [W]	Voltage motor [V]	Amperage motor [A]	Water volume [US gal]	Weight [lb]
PAEC3210CW-NA	27	1050	72	109	208V~	0.71	0.34	57
PAEC3215CW-NA	48	1550	72	135	208V~	0.86	0.55	79
PAEC3220CW-NA	65	2150	74	218	208V~	1.42	0.71	106

\*1) Highest airflow of totally 3 fan steps.

\*2) Values shown are for total sound power levels for Installation Type A: free inlet, free outlet. The Sound power level ratings shown are in decibels, referred to 10-12 watts, calculated per AMCA Standard 301.

\*3) FLA: total amperage for motor and heat.

\*4) Applicable at water temperature 140/104F, air temperature, in +64F.

Above table is valid for 208V/1ph/60Hz. Also approved for 230V/1ph/60Hz. Product performance for 230V/1ph/60Hz will differ from stated data.

Protection class for units with electrical heating: IP20.

Protection class for units without heating and units with water heating: IP21.

CE compliant.

Type	Nozzle deep x width [in]	Max Velocity at nozzle [fpm]	Outlet Velocity [fpm]	Outlet Velocity Uniformity [%]
PAEC3210CA/CE-208/CE-480/CE-600	2,6x38,4	2346	1974	81
PAEC3215CA/CE-208/CE-480/CE-600	2,6x58,5	2267	1860	80
PAEC3220CA/CE-208/CE-480/CE-600	2,6x77,8	2346	1974	81
PAEC3210CW-NA	2,6x38,4	2165	1785	75
PAEC3215CW-NA	2,6x58,5	1791	1545	82
PAEC3220CW-NA	2,6x77,8	2165	1785	75



Frico AB certifies that the PAEC3200CA, PAEC3200CE and PAEC3200CW air curtains shown herein are licensed to bear the AMCA Seal. The ratings shown are based on tests and procedures performed in accordance with AMCA Publication 211 and AMCA Publication 311 and comply with the requirements of the AMCA Certified Ratings Program. The AMCA Certified Ratings Seal applies to airflow rate, average outlet velocity, outlet velocity uniformity, velocity projection and power rating at free delivery only.

## Output charts water PAEC3200CW

### Metric chart

			Supply water temperature: 80 °C Room temperature: +18 °C Outlet air temperature: +35 °C*1				Water temperature: 80/60 °C Room temperature: +18 °C			
Type	Fan position	Airflow [m³/h]	Output [kW]	Return water temp. [°C]	Water flow [l/s]	Pressure drop [kPa]	Output*2 [kW]	Outlet air temp. [°C]	Water flow [l/s]	Pressure drop [kPa]
PAEC3210CW-NA	max	1460	10.0	42	0.06	1.4	14.9	42	0.18	8.8
PAEC3215CW-NA	max	2150	15.3	38	0.09	2.0	24.2	45	0.30	16.2
PAEC3220CW-NA	max	2920	21.2	38	0.12	2.6	33.4	44	0.41	21.6

			Supply water temperature: 60 °C Room temperature: +18 °C Outlet air temperature: +35 °C*1				Water temperature: 60/40 °C Room temperature: +18 °C			
Type	Fan position	Airflow [m³/h]	Output [kW]	Return water temp. [°C]	Water flow [l/s]	Pressure drop [kPa]	Output*2 [kW]	Outlet air temp. [°C]	Water flow [l/s]	Pressure drop [kPa]
PAEC3210CW-NA	max	1460	10.2	48	0.20	10.9	8.2	32	0.10	3.2
PAEC3215CW-NA	max	2150	14.6	42	0.20	8.7	13.6	33	0.17	6.1
PAEC3220CW-NA	max	2920	21.6	45	0.35	17.2	18.9	33	0.23	8.1

\*1) Recommended outlet air temperature for good comfort and optimized output.

\*2) Nominal output at given supply and return water temperature.

### Imperial chart

			Supply water temperature: 176 °F Room temperature: +64 °F Outlet air temperature: +95 °F*1				Water temperature: 176/140 °F Room temperature: +64 °F			
Type	Fan position	Airflow [cfm]	Output [MBH]	Return water temp. [°F]	Water flow [US gal/h]	Pressure drop [kPa]	Output*2 [MBH]	Outlet air temp. [°F]	Water flow [US gal/h]	Pressure drop [kPa]
PAEC3210CW-NA	max	1050	34.1	108	61.3	1.4	50.9	108	173.1	8.8
PAEC3215CW-NA	max	1550	52.2	100	84.6	2.0	82.6	113	280.6	16.2
PAEC3220CW-NA	max	2150	72.4	100	117.9	2.6	114.0	111	388.1	21.6

			Supply water temperature: 140 °F Room temperature: +64 °F Outlet air temperature: +95 °F*1				Water temperature: 140/104 °F Room temperature: +64 °F			
Type	Fan position	Airflow [cfm]	Output [MBH]	Return water temp. [°F]	Water flow [US gal/h]	Pressure drop [kPa]	Output*2 [MBH]	Outlet air temp. [°F]	Water flow [US gal/h]	Pressure drop [kPa]
PAEC3210CW-NA	max	1050	34.8	118	188.3	10.9	28.0	90	94.0	3.2
PAEC3215CW-NA	max	1550	49.8	108	193.1	8.7	46.4	91	156.9	6.1
PAEC3220CW-NA	max	2150	73.7	113	331.9	17.2	64.5	91	217.8	8.1

\*1) Recommended outlet air temperature for good comfort and optimized output.

\*2) Nominal output at given supply and return water temperature.

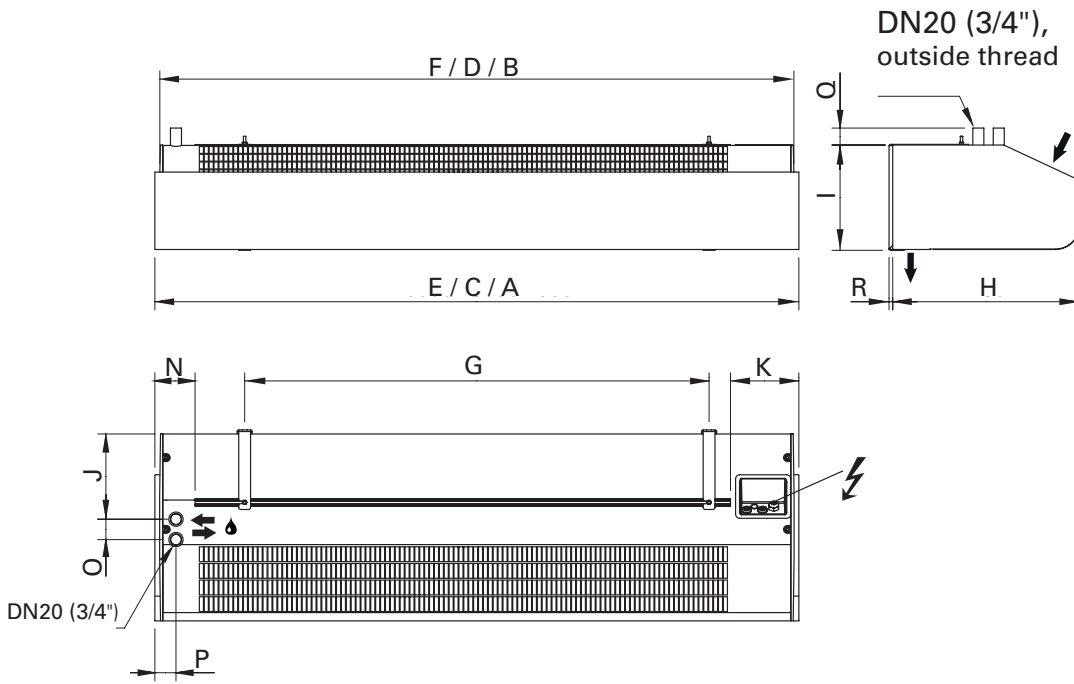
EN

**The introduction pages consist mainly of pictures. For translation of the English texts used, see the respective language pages.**

FR

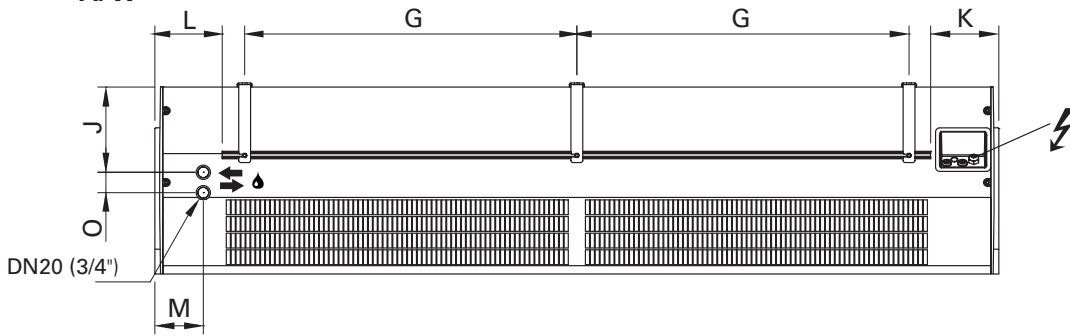
**Les pages de présentation contiennent principalement des images. Pour la traduction des textes en anglais, consultez la page correspondante à la langue souhaitée.**

# PAEC3200C

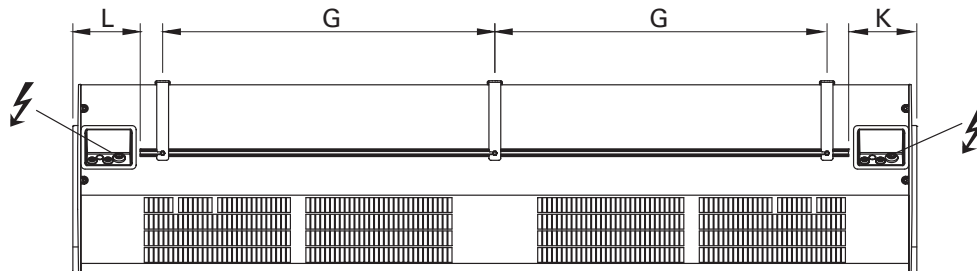


L = 2 m/6.6 ft

A/W



E



Ref	Metric [mm]	Imperial [in]	Product type
A	2068	81.40	PAEC3220Cx
B	2045	80.50	PAEC3220Cx
C	1578	62.10	PAEC3215Cx
D	1555	61.20	PAEC3215Cx
E	1068	42.00	PAEC3210Cx
F	1045	41.10	PAEC3210Cx
G	500	19.68	
H	458	18.00	
I	256	10.00	
J	209	8.22	

Ref	Metric [mm]	Imperial [in]
K	167	6.57
L	165	6.49
M	119	4.68
N	99	3.89
O	50	1.96
P	52	2.00
Q	42	1.65
R	10	0.39

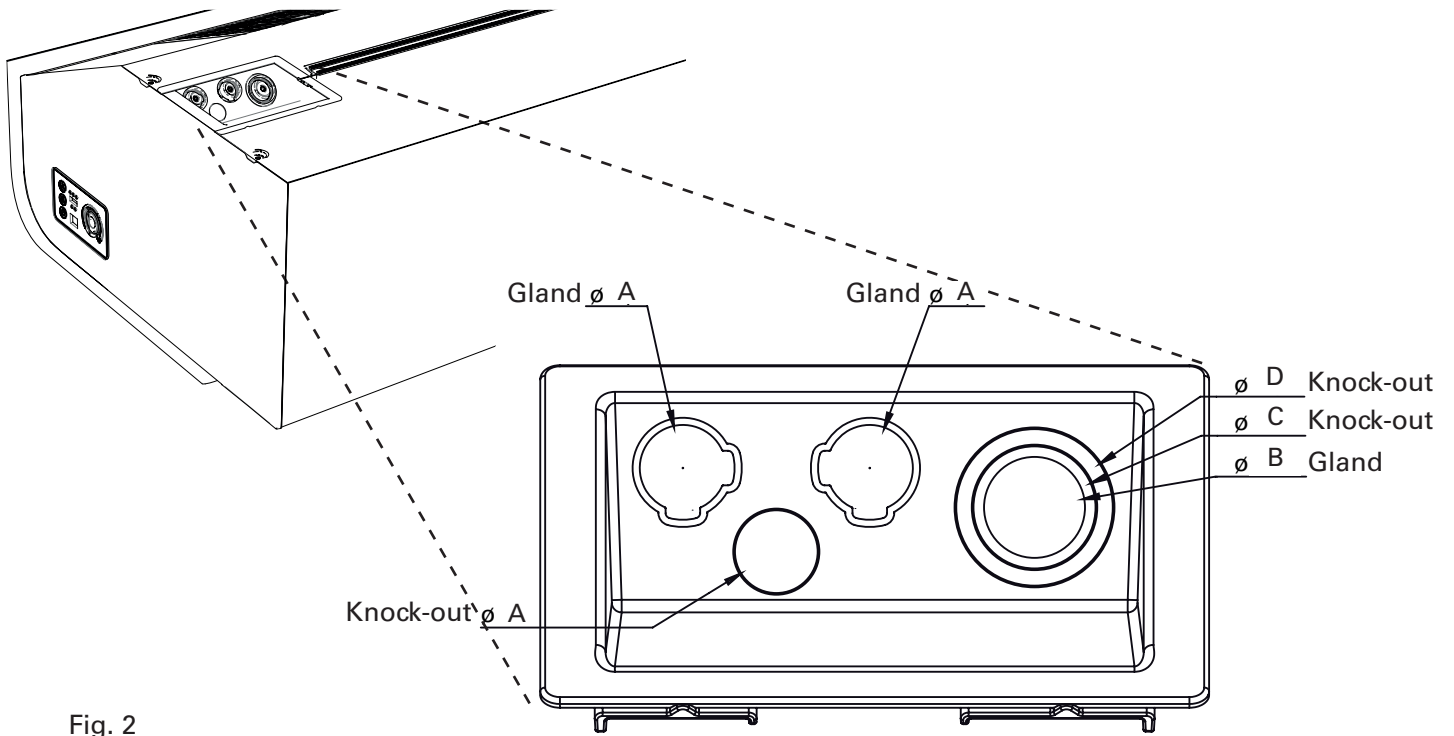
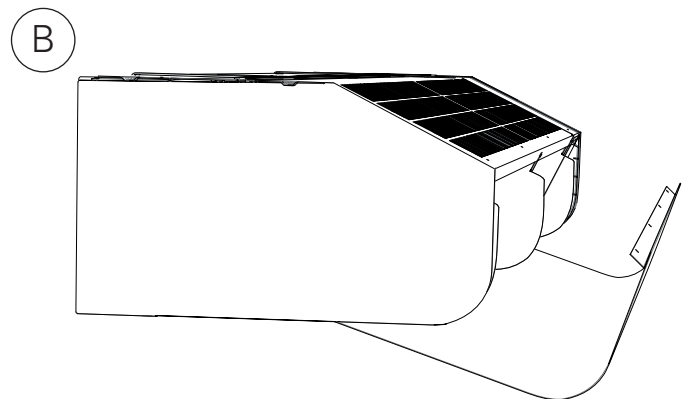
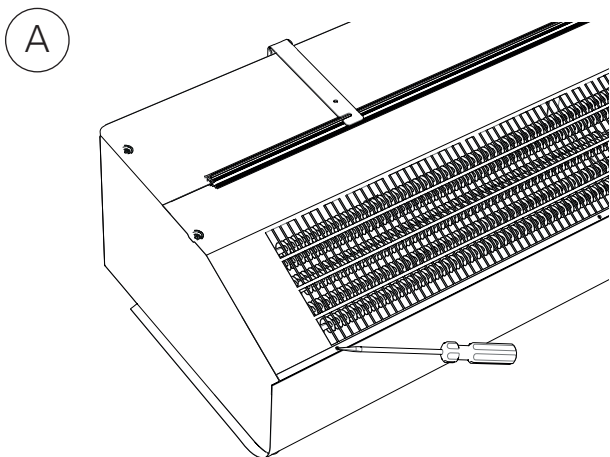


Fig. 2

Ref	Metric [mm]	Imperial [in]
A	17.5	0.69
B	20.5	0.81
C	25.5	1.00
D	32.5	1.28

**Open the unit**



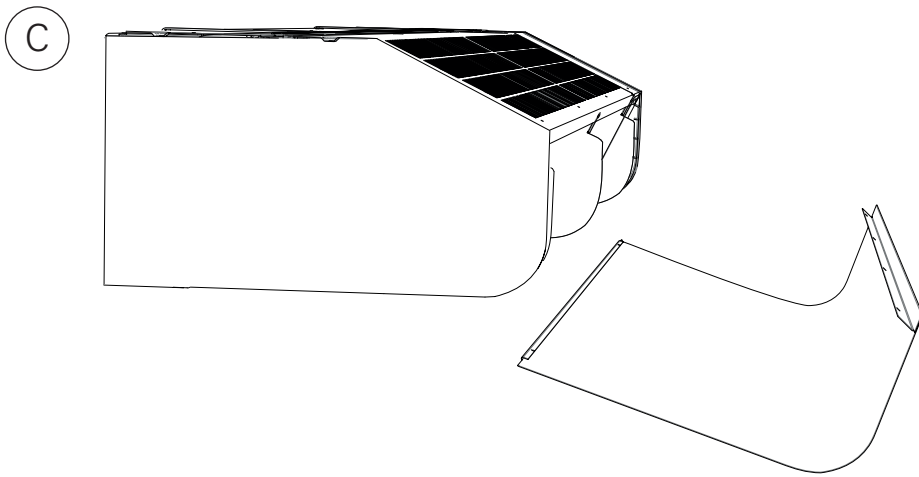


Fig. 3: Open the unit.

**Minimum distance**

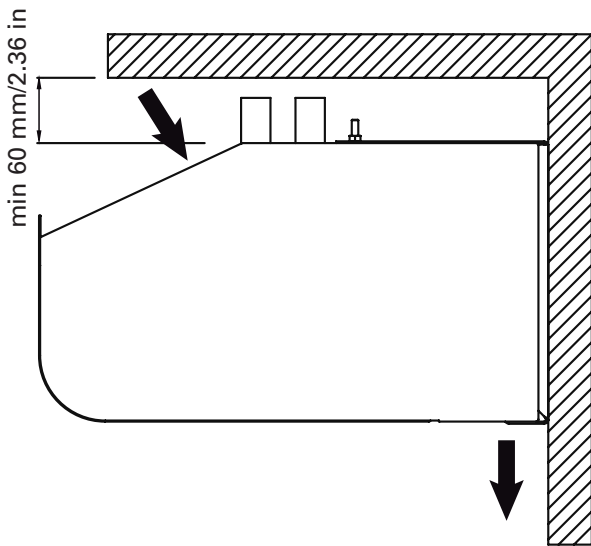


Fig. 4

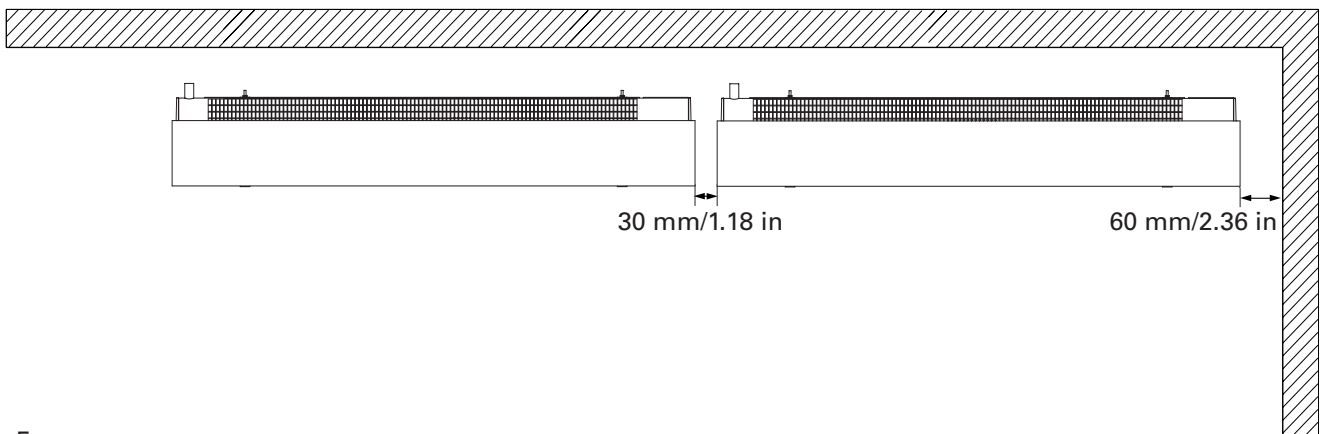


Fig. 5



Mounting with wall brackets

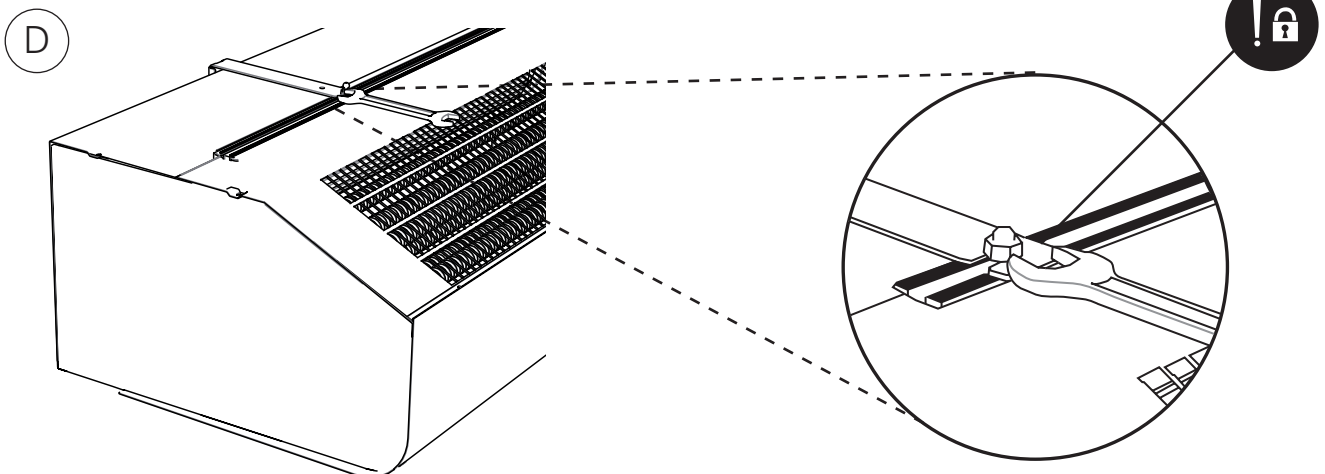
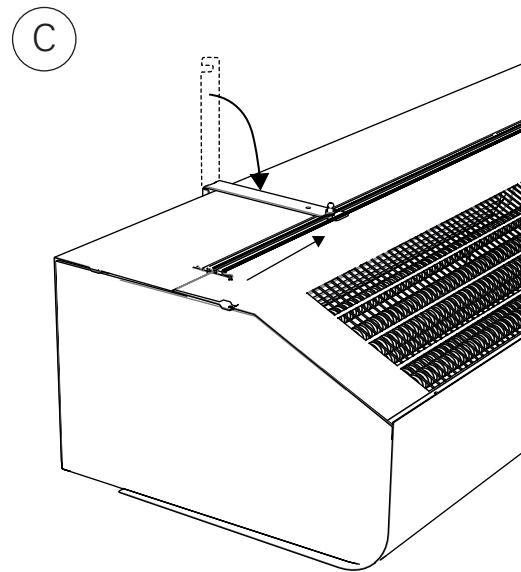
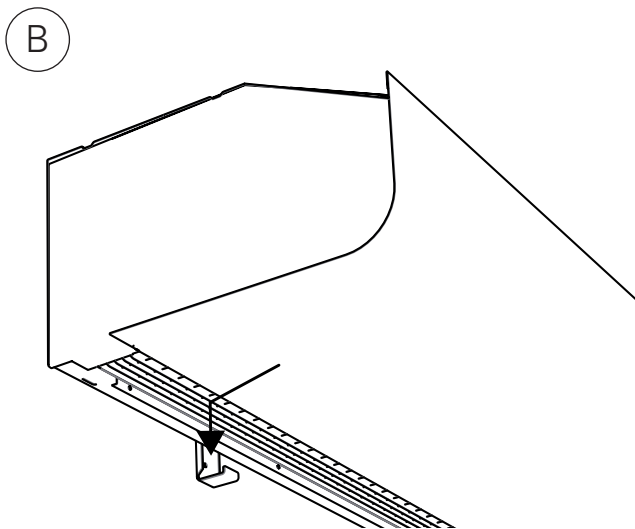
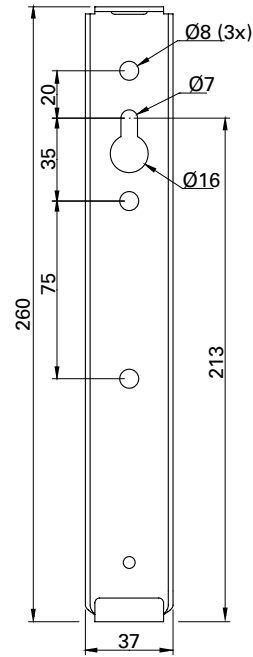
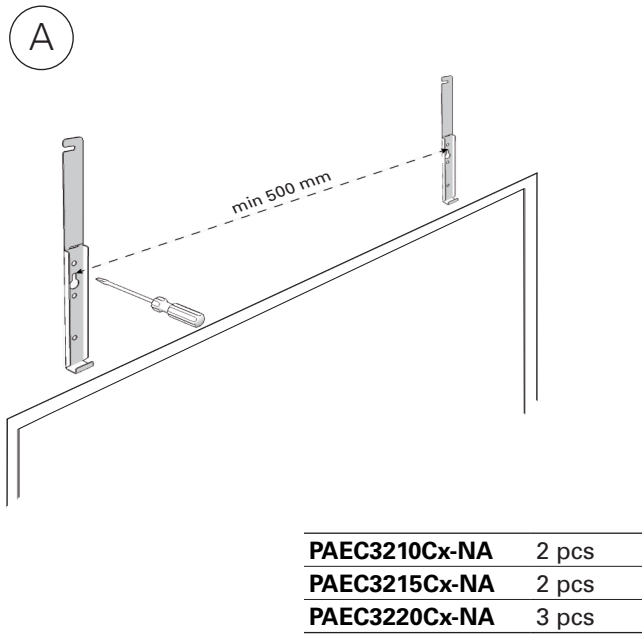
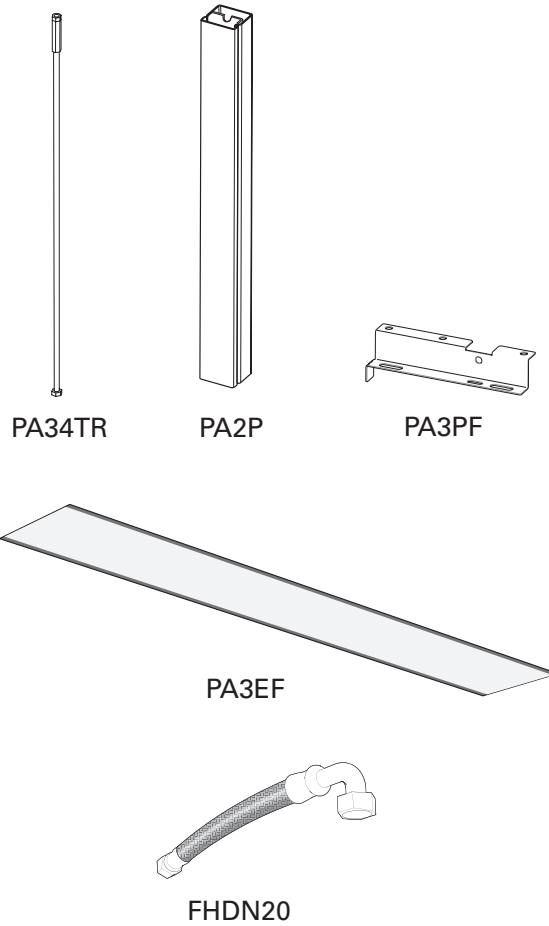


Fig. 6: Mounting with wall brackets

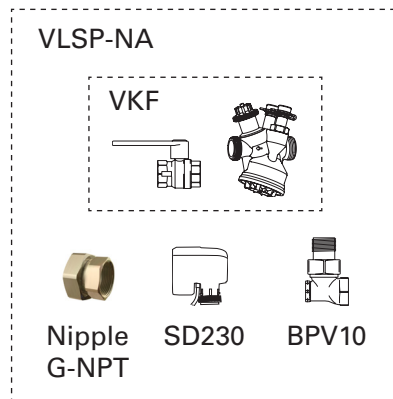
# PAEC3200C

## Accessories

<b>PA34TR15</b>	PAEC3210Cx, PAEC3215Cx, 1 m/3.3 ft
<b>PA34TR20</b>	PAEC3220Cx, 1 m/ 3.3 ft
<b>PA2P15</b>	PAEC3210Cx, PAEC3215Cx, 1 m/3.3 ft
<b>PA2P20</b>	PAEC3220Cx, 1 m/3.3 ft
<b>PA3PF15</b>	PAEC3210Cx, PAEC3215Cx
<b>PA3PF20</b>	PAEC3220Cx
<b>PA3EF10</b>	PAEC3210CW-NA
<b>PA3EF15</b>	PAEC3215CW-NA
<b>PA3EF20</b>	PAEC3220CW-NA
<b>FHDN20</b>	PAEC3200CW

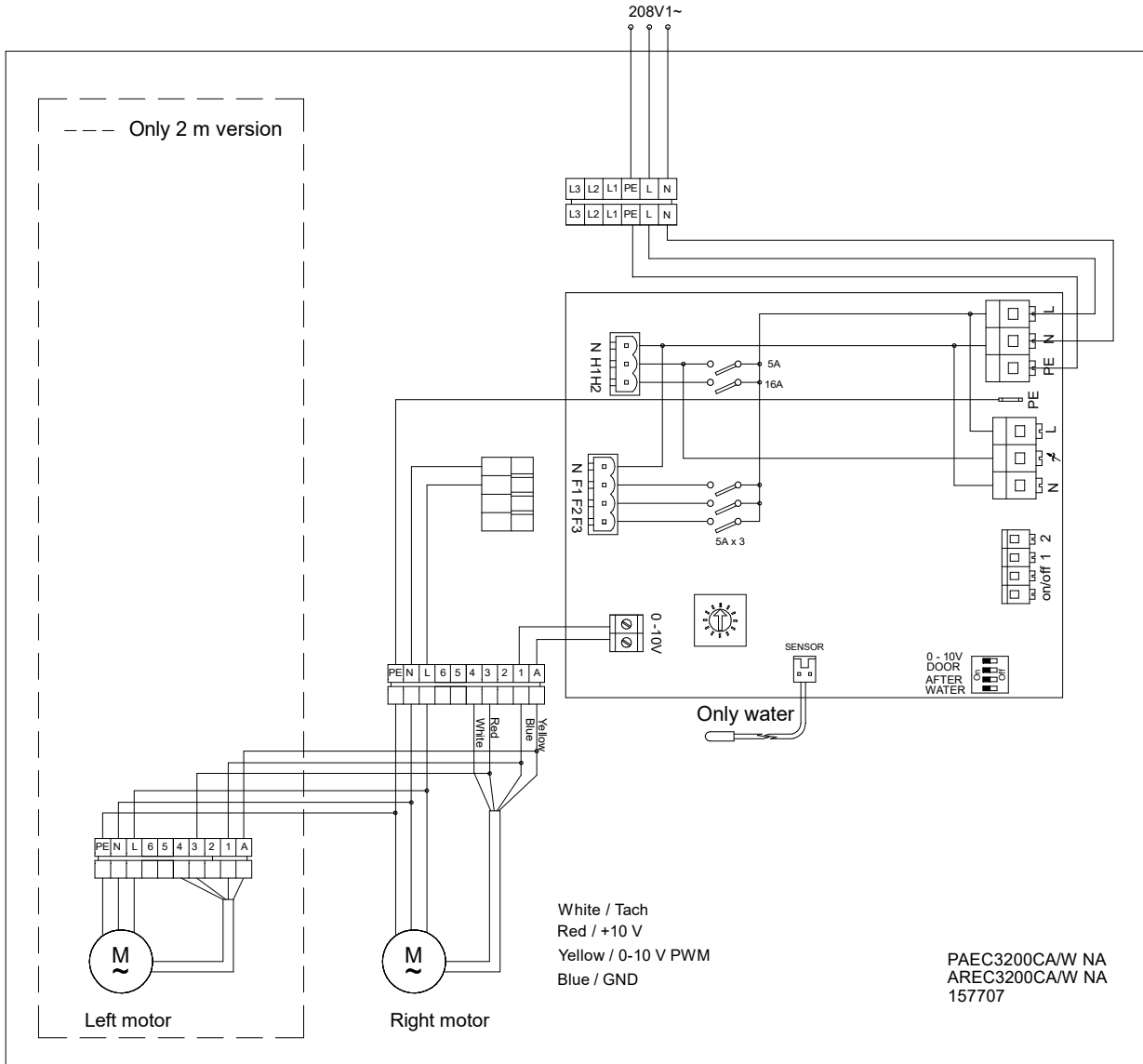


<b>VLSP15NF-NA</b>	DN15 (1/2")
<b>VLSP20NF-NA</b>	DN20 (3/4")

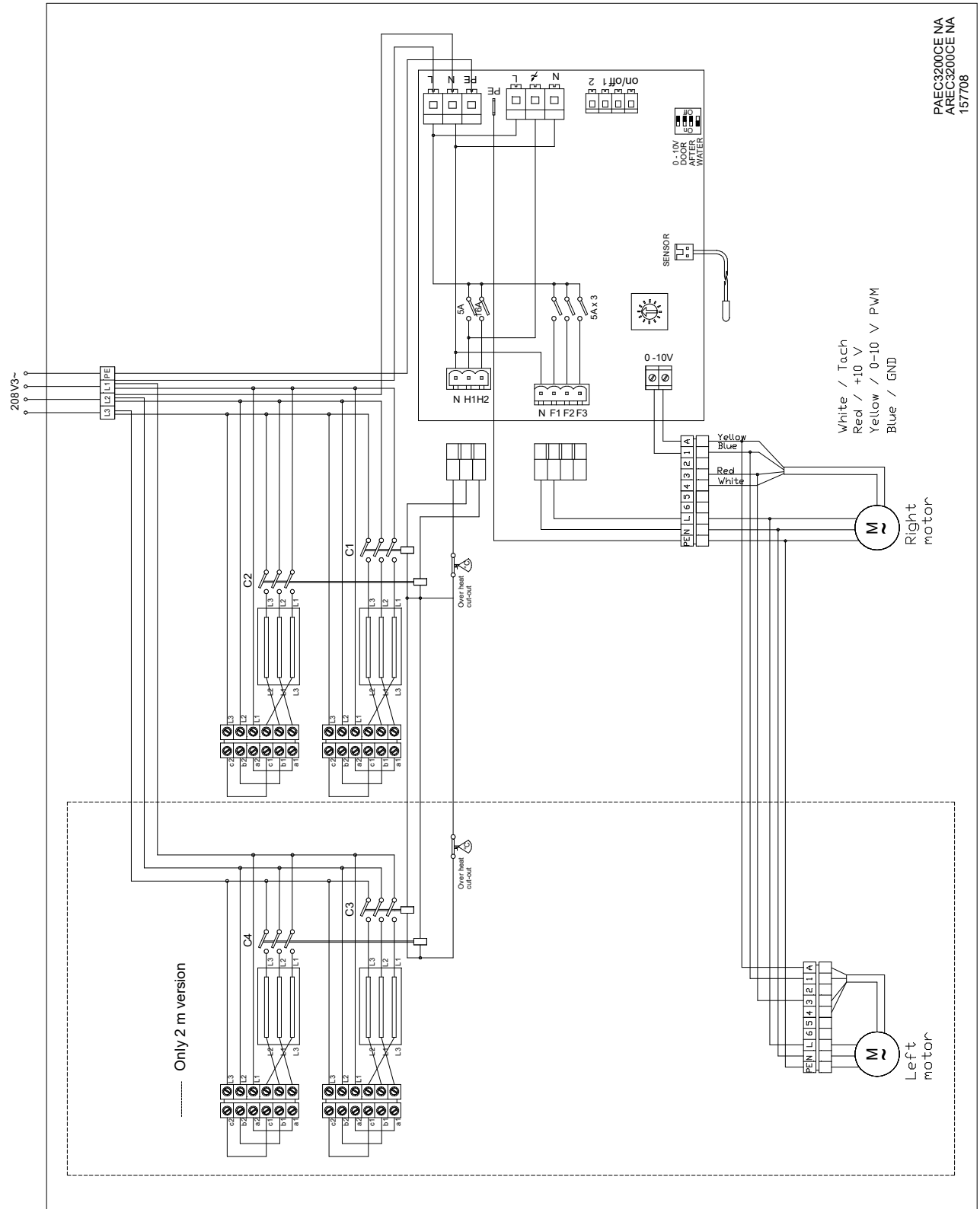


# PAEC3200C

## PAEC3200CA/W

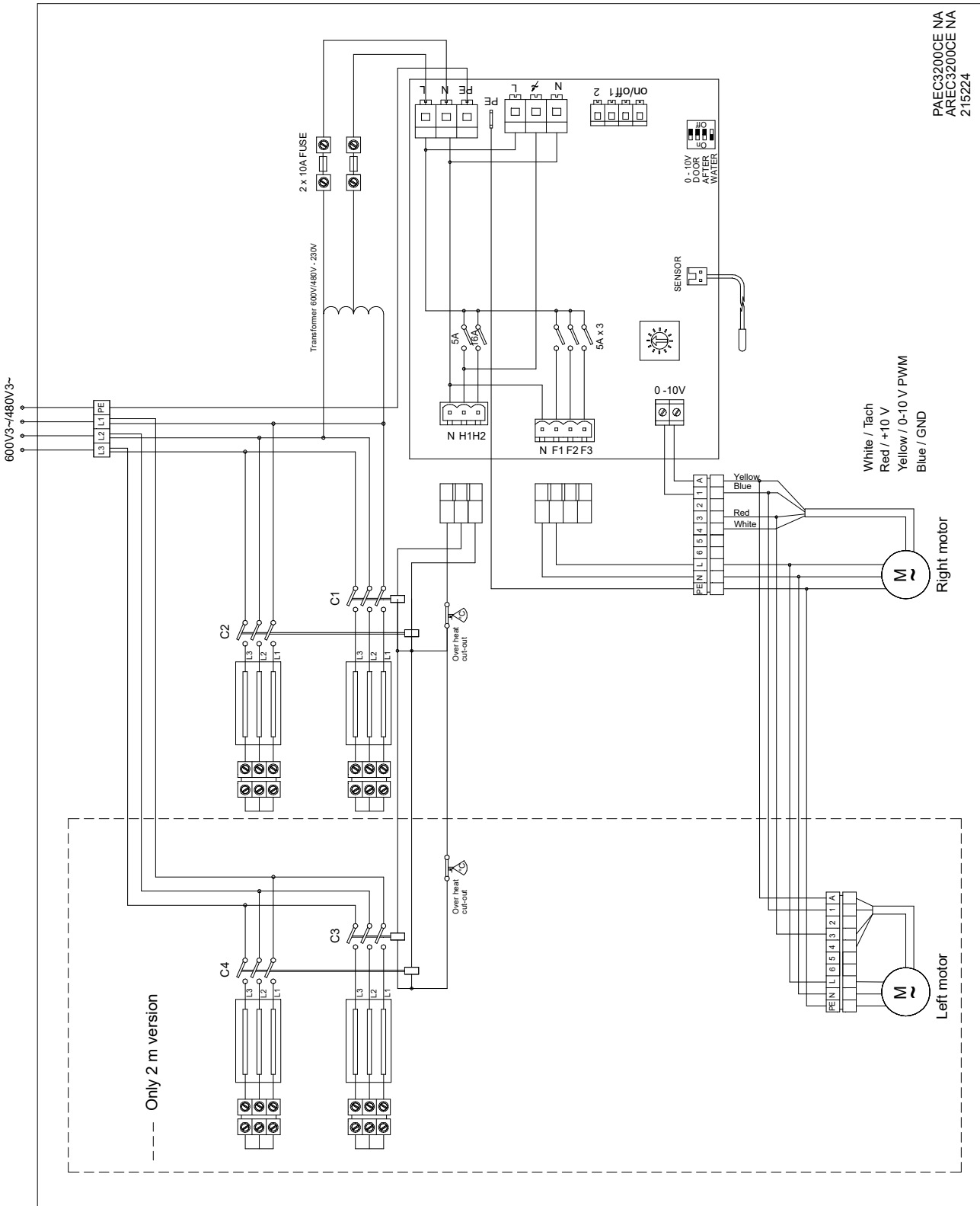


PAEC3200CE-208V



PAEC3200CE NA  
 AREC3200CE NA  
 157708

PAEC3200CE-480V/600V



PAEC3200CE NA  
AREC3200CE NA  
215224

EN

- Read the safety instructions before performing installation and/or maintenance activities on the unit.
- Installation and/or maintenance activities on the unit may only be performed by qualified technical staff.
- The unit shall not be installed and used outdoors or in environments that are aggressive, or potentially explosive. At installation site make sure surrounding environment does not require higher IP classification of the equipment than what is stated on the data label of the unit.
- The unit must be connected in accordance with the applicable local requirements. Make sure that the unit's power supply voltage matches the local mains voltage. The unit's power supply voltage and maximum ratings are displayed on the data label placed on the unit.
- The unit shall be fused according to the table below.
- See also "Safety" on the English pages.

FR

- Veuillez lire les consignes de sécurité avant d'installer l'unité ou d'en effectuer l'entretien.
- L'installation ou l'entretien de l'unité doivent être effectués par un technicien qualifié seulement.
- L'unité ne doit pas être installée et utilisée à l'extérieur ou dans un environnement hostile ou potentiellement explosif. Au site d'installation, veuillez vous assurer que le milieu environnant n'exige pas une classification IP de l'équipement supérieure à ce qui est indiqué sur l'étiquette de données de l'unité.
- L'unité doit être branchée conformément aux exigences locales applicables. Veuillez vous assurer que la tension d'alimentation de l'unité correspond à la tension de secteur locale. La tension d'alimentation de l'unité et les calibres maximums sont indiqués sur l'étiquette de données placée sur l'unité.
- L'unité doit être protégée par un fusible conformément au tableau ci-dessous.
- Voir également la section « Sécurité » dans les pages en français.

<b>EN: Maximum Amperage on L1, L2 or L3 [A]</b>	<b>EN: Maximum fuse value [A]</b>
<b>FR: Intensité de courant électrique maximale pour L1, L2 ou L3 [A]</b>	<b>FR: Calibre maximum du fusible [A]</b>
≤ 10A	16A
≤ 15A	20A
≤ 20A	25A
≤ 25A	35A
≤ 35A	50A
≤ 50A	63A
≤ 65A	80A
≤ 80A	100A
≤ 102A	125A

## Installation and operating instructions

### General Instructions

Read these instructions carefully prior to installation and use. Keep this manual for future reference.

*The product may only be used as set out in the assembly and operating instructions. The guarantee is only valid should the product be used in the manner intended and in accordance with the instructions.*

### Application

PAEC3200C is a compact air curtain with a recommended installation height of up to 3.2 metres/10.5 feet. The air curtain has an integrated control system and can be remotely controlled.

The air curtain is available without heat, with electrical heating and with water heating. Protection class for units with electrical heating: IP20.

Protection class for units without heating and units with water heating: IP21.

### Operation

Air is drawn in at the top of the unit and blown downwards shielding the door opening and minimizing heat loss. To achieve the optimum curtain effect the unit must extend the full width of the door opening.

The grille for directing the outlet air is adjustable and is normally angled outwards to achieve the best protection against incoming air.

The efficiency of the air curtain depends on the air temperature, the pressure differential across the doorway and any wind load.

*NOTE! Negative pressure in the building considerably reduces the efficiency of the air curtain. The ventilation should therefore be balanced.*

### Mounting

The air curtain unit is installed horizontally with the supply air grille facing downwards as close to the door as possible. Minimum distance from outlet to floor for electrically heated units is 1800 mm/70.9 in. For other minimum distances, see fig. 4.

Brackets and torx bit are enclosed in the gable end packaging upon delivery.

#### *Mounting with wall brackets (fig. 6)*

1. Mount the brackets on the wall, see fig.6A and dimension drawing fig.1. If the wall is uneven the brackets must be compensated for this.
2. Hook on the unit at the lower edge of the brackets. (Fig.6B)
3. Bend the top of the console over the the unit and slide the units screws along the rail into the slots on the consoles. (Fig.6C) When the bracket is bent once, it must be replaced if bent back more than 45 °.
4. Lock the nuts against the brackets. (Fig.6D)

#### *Horizontal mounting on the ceiling*

Threaded rods, hanging brackets and ceiling mounting brackets for ceiling mounting are available as accessories, see accessories pages and separate manuals.

### Electrical installation

The installation, which should be preceded by an isolator switch with a contact separation of at least 3 mm/0.12 in, should only be wired by a competent electrician and in accordance with the latest edition of IEE wiring regulations. The control system is pre-installed in the air curtain.

#### *Unit without heating or with water heating*

Connected via the built-in control board with 1.5 m/4.9 ft cord.

#### *Unit with electrical heating*

The electrical connection is made on the top of the unit. See Fig.2.

208V3~/480V3~/600V3~ power supply for heat and control (\*1 \*2) should be connected to a terminal block in the primary terminal box.

\*1 480V3~/ 600V3~ Control supply is transformed via internal transformer to 230V~ and routed through 2x 10A fuses in the primary terminal box.

\*2 208V3~ Control supply is connected internally through 2x 10A fuses in the primary terminal box.

The largest cable diameter for the terminal block is AWG6. The cable glands used must meet the protection class requirements. In the distribution board it is to be indicated that "the air curtains can be supplied from more than one connection".

See wiring diagrams.

### Control options

*Stepless airflow control with door contact/position limit switch*

When the door is closed the fan runs at low speed. When the door opens, the fan runs at high speed, set on the remote control or the control panel at the gable end. This control option gives low response time and the best protection.

See Figure 2 and Accessories pages.

### Start-up (E)

When the unit is used for the first time or after a long period of non-use, smoke or an odour may result from dust or dirt which has collected on the element. This is completely normal and disappears after a short time.

### Connecting the water coil (W)

The installation must be carried out by an authorised installer.

The water coil has copper tubes with aluminium fins and is suitable for connection to a closed water heating system. The heating coil must not be connected to a mains pressure water system or an open water system.

Note that the unit shall be preceded by a regulating valve, see Frico valve kit. The water coil is connected on top of the unit via steel pipes with DN20 (3/4") terminals, external thread. Flexible hoses are available as accessories, see accessories pages.

The connections to the heating coil must be equipped with shut off valves to allow trouble-free removal. The water coil is equipped with a drain valve. A vent valve should be connected at a high point in the pipe system. Air valves are not included.

NOTE: Care must be taken when connecting the pipes. Use a pipe wrench or a similar tool to grip the air curtain connections to prevent straining of the pipes and subsequent water leakage during connection to the water supply pipe-work.

### Adjustment of the air curtain and airflow

The direction and speed of the airflow should be adjusted considering the load on the opening. Pressure forces affect the airstream and force it inwards towards the premises (when the premises are heated and the outdoor air is cold).

The airstream should, therefore, be directed outwards to withstand the load. Generally speaking, the higher the load, the greater the angle required.

### Basic setting fan speed

The fan speed when the door is open is set using the control. Note that the airflow direction and the fan speed may need fine adjustment depending on the loading of the door.

### Filter (W)

The water coil is protected against dirt and blockage by an internal air filter which covers the coil face. In environments where the filter requires frequent cleaning, it is advisable to use an external intake filter (see accessories pages), which provides easier maintenance, since the unit does not need to be opened. When an external filter is used, the internal filter is removed.

### Service, repairs and maintenance

For all service, repair and maintenance first carry out the following:

1. Disconnect the power supply.
2. The front hatch is removed by removing the screws on the top of the unit and then detach the bent edge at the bottom. (Fig.3)
3. After the service, repair and maintenance reattach the front hatch. Place the hatch at the lower edge with the bent edge and fasten on top with screws.

Note that when carrying out work where the end is removed, the outlet grille also detaches.



## Maintenance

### *Unit with water heating*

The appliance filter should be cleaned regularly to ensure the air curtain effect and heat emission from the device. How often depends on local circumstances. A clogged filter is not a risk, but the appliance function can fail.

1. Disconnect the power supply.
2. The front hatch is removed by removing the screws on the top of the unit and then detach the bent edge at the bottom. (Fig.3)
3. Remove the filter and vacuum clean or wash it. If the filter is clogged or damaged, it may need to be changed.

### *All units*

Since fan motors and other components are maintenance-free, no maintenance other than cleaning is necessary. The level of cleaning can vary depending on local conditions. Undertake cleaning at least twice a year. Inlet and exhaust grilles, impeller and elements can be vacuum cleaned or wiped using a damp cloth. Use a brush when vacuuming to prevent damaging sensitive parts. Avoid the use of strong alkaline or acidic cleaning agents.

## Overheating

The air curtain unit with electrical heating is equipped with an overheat protection. If it is deployed due to overheating, reset as follows:

1. Disconnect the power supply with the isolator switch.
2. Determine the cause of overheating and rectify the fault.
3. Remove the front hatch.
4. Press the red button located inside the air curtain unit, at the inner gable of the terminal box.
5. Reattach the front hatch and connect the unit again.

All motors are equipped with an integral thermal safety cut-out. This will operate, stopping the air curtain should the motor temperature rise too high. The cut-out will automatically reset when the motor temperature has returned to within the motor's operating limits.

## Temperature control

See control pages.

## Replacing motor or impeller

1. Remove the front.
2. Remove gable end.
3. Remove the screw between motor and fan.
4. Disconnect the cables to the motor.
5. Remove the screws securing the motor and lift it out together with the impeller.
6. Install the new motor and/or the new impeller as above in reverse order.

## Replacing heating elements/heating package (E)

1. Mark and disconnect the cables to the heating elements/package
2. Remove the mounting screws securing the heating elements/package in the unit and lift the heating elements/package out.
3. Install the new heating elements/package in reverse order to the above.

## Replacing the water coil (W)

1. Shut off the water supply to the unit.
2. Disconnect the connections to the water coil.
3. Detach the plastic ends.
4. Detach the intake grille by drilling out the rivet(s).
5. Remove the mounting screws securing the coil in the unit and lift out.
6. Install the new coil in reverse order to the above.

## Draining the water coil (W)

The drain valve is on the underside of the coil on the connector side. It can be accessed via the front hatch.

## Troubleshooting

*If the fans are not running or do not perform properly, check the following:*

- The functions and settings of the built-in control system.
- That the intake grille/filter is not dirty.

*If there is no heat, check the following:*

- The functions, internal sensor and settings of the built-in control system.

*For units with electrical heating, also check the following:*

- Power supply to electric heater coil; check fuses and circuit-breaker (if any).
- That the overheat protection has not been deployed.

*For units with a water coil, also check the following:*

- That the water coil is air free.
- That there is sufficient water flow and pressure.
- That incoming water is heated adequately.

If the fault cannot be rectified, please contact a qualified service technician.

### **Residual current circuit breaker (E)**

When the installation is protected by means of a residual current circuit breaker, which trips when the appliance is connected, this may be due to moisture in the heating element. When an appliance containing a heater element has not been used for a long period or stored in a damp environment, moisture can enter the element.

This should not be seen as a fault, but is simply rectified by connecting the appliance to the main supply via a socket without a safety cut-out so that the moisture can be eliminated from the element. The drying time can vary from a few hours to a few days. As a preventive measure, the unit should occasionally be run for a short time when it is not being used for extended periods of time.

### **Packaging**

Packaging materials are chosen with consideration to the environment and are therefore recyclable.

### **Handling of product at end of working life**

This product may contain substances necessary for the functionality of the product but potentially dangerous for the environment. The product should not be disposed of mixed with general household waste but delivered to a designated collection point for environmental recycling. Please contact the local authority for further details of your nearest designated collection point.

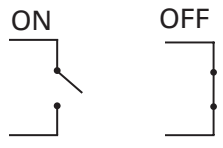
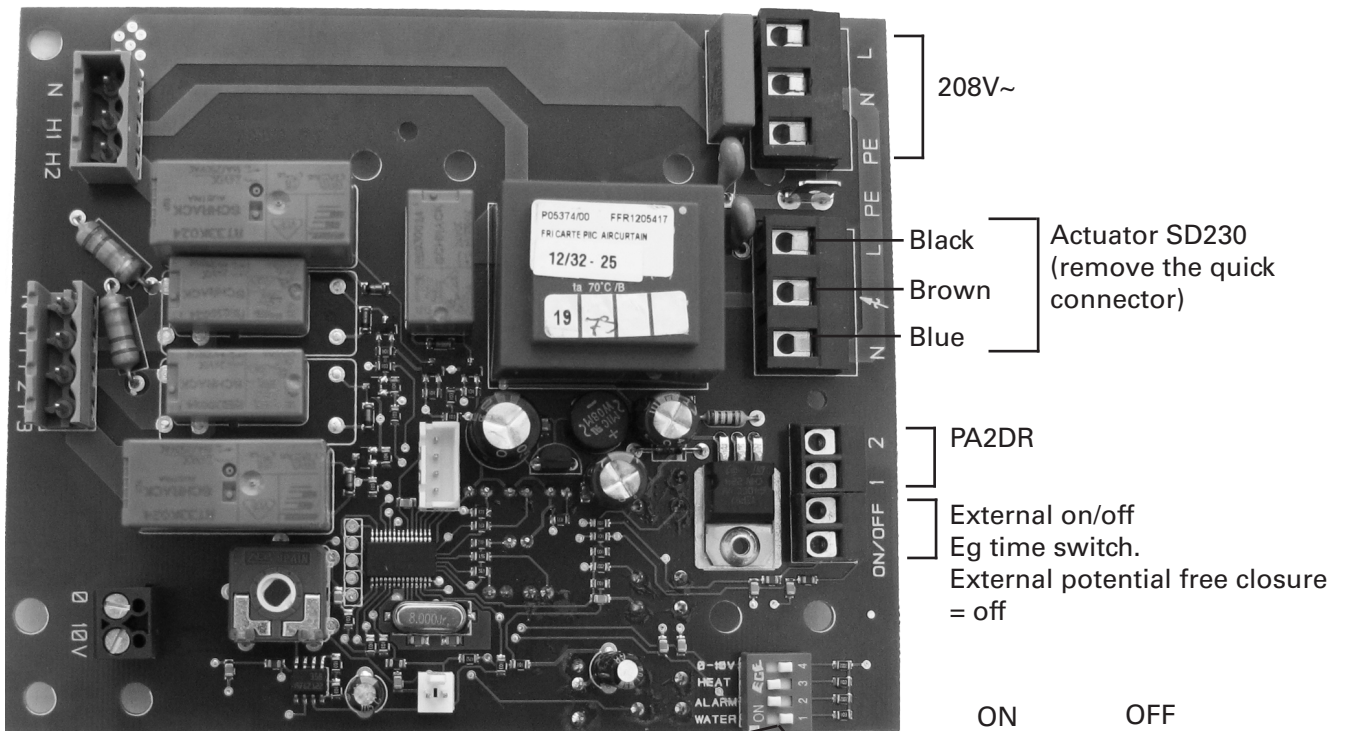
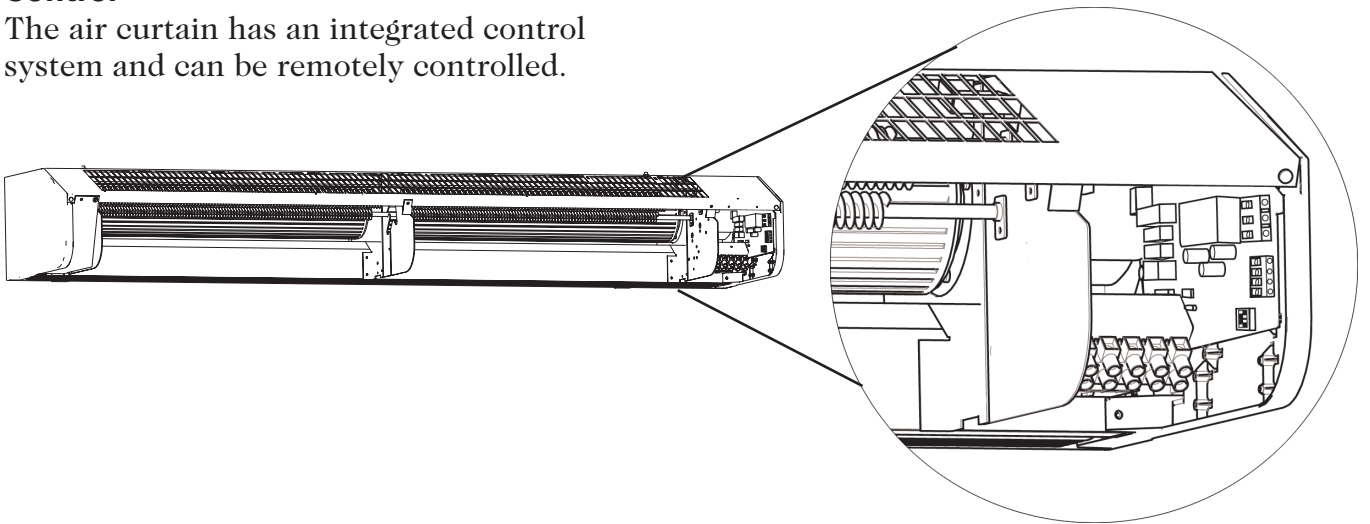
### **Safety**

- *For all installations of electrically heated products a residual current circuit breaker 300 mA for fire protection should be used.*
- *Keep the areas around the air intake and exhaust grilles free from possible obstructions!*
- *The unit must not be fully or partially covered as overheating can result in a fire risk!*
- *Lifting equipment must be used to lift the unit.*
- *This appliance can be used by children aged from 8 years and above and persons with reduced physical, sensory or mental capabilities or lack of experience and knowledge if they have been given supervision or instruction concerning use of the appliance in a safe way and understand the hazards involved. Children shall not play with the appliance. Cleaning and user maintenance shall not be made by children without supervision.*
- *Children of less than 3 years should be kept away unless continuously supervised.*
- *Children aged from 3 years and less than 8 years shall only switch on/off the appliance provided that it has been placed or installed in its intended normal operating position and they have been given supervision or instruction concerning use of the appliance in a safe way and understand the hazards involved.*
- *Children aged from 3 years and less than 8 years shall not plug in, regulate and clean the appliance or perform user maintenance.*

**CAUTION** — Some parts of this product can become very hot and cause burns. Particular attention has to be given where children and vulnerable people are present.

**Control**

The air curtain has an integrated control system and can be remotely controlled.



0-10V	<input type="checkbox"/>	4	 
HEAT	<input type="checkbox"/>	3	
ALARM	<input type="checkbox"/>	2	
WATER	<input type="checkbox"/>	1	

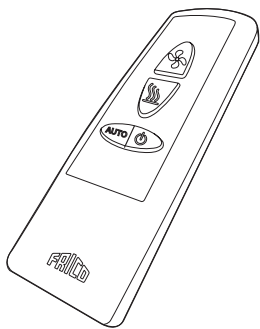
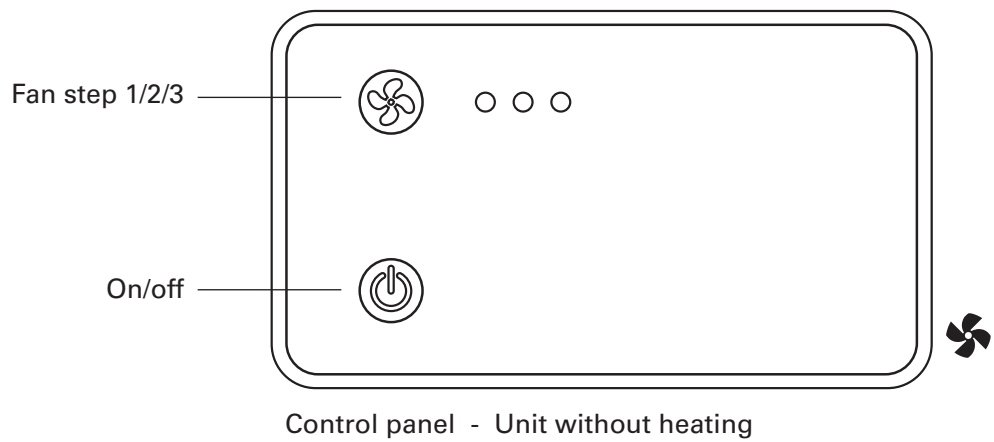
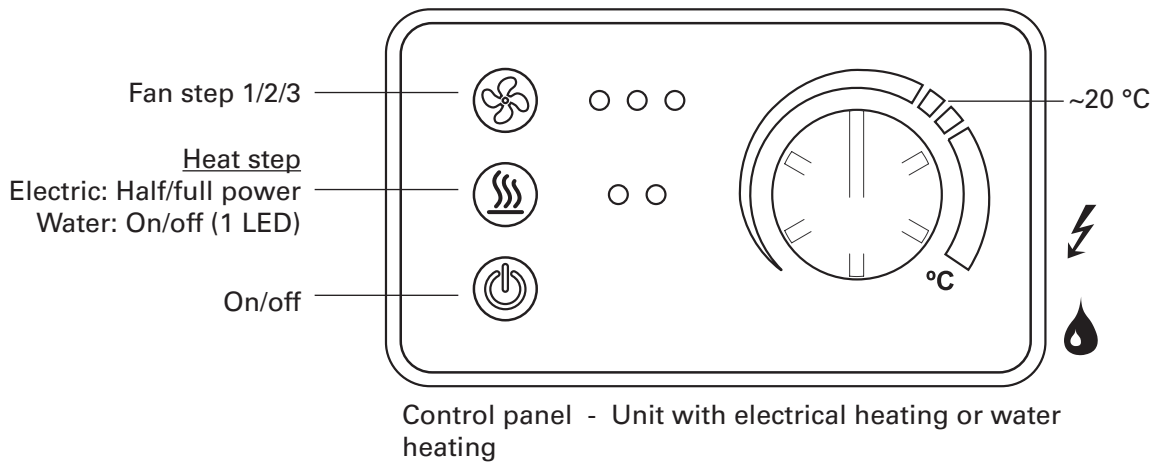
Factory setting dip-switches - Unit without heating or with electrical heating

Dip-switch 3 is used for PA2DR.

0-10V	<input type="checkbox"/>	4	
HEAT	<input type="checkbox"/>	3	
ALARM	<input type="checkbox"/>	2	
WATER	<input type="checkbox"/>	1	

Factory setting dip-switches - Unit with water heating

Dip-switch 3 is used for PA2DR.



Remote control - on/off, fan steps and heating steps

**Functional test**

Functional test is started using the remote control.

Push



and



in 5 seconds

Fan and heatings steps are tested in 10-second intervals which is indicated by lighted LEDs. When the test is completed, all LEDs will flash for 30 seconds.

**Temperature control**

If the temperature exceeds 50 °C, the fan runs at full speed for 2 minutes to vent out the heat, if the temperature rises above 50 °C again during the following 5 minutes overheating alarm is deployed. The red LEDs flash and all the buttons are locked.

1. Disconnect the power supply with the isolator switch.
2. Determine the cause of overheating and rectify the fault.
3. Reconnect the unit.

## Consignes de montage et mode d'emploi

### Généralités

Lisez attentivement les présentes consignes avant d'installer et d'utiliser l'appareil.

Conservez ce manuel afin de pouvoir le consulter ultérieurement.

*Le produit doit être utilisé uniquement en conformité avec les consignes de montage et le mode d'emploi. La garantie n'est valable que si l'utilisation du produit est conforme aux indications et consignes.*

### Application

PAEC3200C est un rideau d'air compact pour une hauteur d'installation préconisée de jusqu'à 3.2 mètres/10.5 pieds. Le rideau d'air dispose d'un système de régulation intégré et peut être commandé à distance.

Le rideau d'air est disponible sans chauffage, avec chauffage électrique et avec chauffage à eau.

Indice de protection pour les appareils avec chauffage électrique : IP20.

Indice de protection pour les appareils sans chauffage et appareils avec chauffage à eau : IP21.

### Fonctionnement

L'air est aspiré par le haut de l'appareil et soufflé vers le bas pour former un écran devant l'ouverture de porte et réduire ainsi les déperditions de chaleur. Pour un effet optimal, la longueur de l'appareil doit être égale à la largeur de l'ouverture de la porte.

La grille de soufflage d'extraction d'air est orientable ; elle est en principe dirigée vers l'extérieur de manière à optimiser la barrière créée contre l'air d'extérieur.

L'efficacité du rideau d'air dépend de la température de l'air, des variations de pression dans l'ouverture de porte et, le cas échéant, de la pression du vent.

*REMARQUE : une pression négative à l'intérieur du local réduit considérablement l'efficacité du rideau d'air. La ventilation doit donc être équilibrée.*

### Montage

Le rideau d'air est monté horizontalement, avec la grille de sortie vers le bas aussi près que possible de la porte. La distance minimale entre la sortie et le sol est de 1 800 mm/70.9 pouces. Voir la fig. 4 pour les autres distances minimales.

Des consoles de montage mural et un embout Torx sont inclus dans le paquet contenant les éléments d'extrémité.

*Installation avec des consoles pour montage mural (fig. 6)*

1. Monter les fixations sur le mur selon les indications de la fig. 6A et le schéma dimensionnel de la fig. 1. Si le mur n'est pas droit, il est facile de rattraper cela à l'aide de cales au niveau des fixations.
2. Accrocher l'appareil sur le bord inférieur des fixations. (Fig. 6B)
3. Incliner le haut de la console vers l'appareil et faire glisser les vis de l'appareil le long des rails jusqu'aux encoches des consoles. (Fig. 6C) Si la fixation a été tordue une fois, elle doit être remplacée si l'angle de torsion était supérieur à 45°.
4. Bloquer les écrous contre les fixations. (Fig. 6D)

*Montage horizontal au plafond*

Des tiges filetées, des consoles de suspension et des consoles de fixation au plafond sont disponibles en tant qu'accessoires, voir les pages relatives aux accessoires ainsi que les autres manuels.

### Installation électrique

L'installation, qui doit être précédée d'un interrupteur omnipolaire/de coupure avec une séparation de contact de 3 mm/0.12 in au moins, doit être réalisée par un installateur qualifié, conformément à la réglementation IEE sur les branchements électriques en vigueur dans son édition la plus récente. Le système de régulation est préinstallé dans le rideau d'air.

*Appareil sans chauffage ou avec chauffage à eau chaude*

Connecté via le circuit imprimé avec cordon de 1.5 m/4.9 pieds.

**Appareil avec chauffage électrique**

Le raccordement électrique s'effectue sur la partie supérieure de l'appareil. Voir Fig.2. 208V3~/ 480V3~/ 600V3~ commande et puissance (\*1 \*2) doivent être connectées aux borniers dans la boîte de raccordement principale.

\*1 480V3~/ 600V3~ L'alimentation commande est transformée au 230V~ par le transformateur interne et cheminée via 2x 10A fusibles dans la boîte de raccordement principale.

\*2 208V3~ L'alimentation commande est connectée à l'intérieur via 2x 10A fusibles dans la boîte de raccordement principale.

Le diamètre maximum de câble au bornier est de AWG6. Les presse-étoupe utilisés doivent être conformes aux indices de protection concernés. Le panneau électrique doit comporter la mention « Les rideaux d'air peuvent être alimentés depuis plusieurs connexions ».

Voir les schémas de raccordement.

**Options de régulation**

*Régulation proportionnelle du débit d'air avec contact de position/contact de fin de course*

Lorsque la porte est fermée, le ventilateur tourne à une faible vitesse. Lorsque la porte est ouverte, le ventilateur tourne à une vitesse élevée, définie sur la télécommande ou le panneau de commande situé sur le côté de l'appareil. Ce système de commande permet de réduire les temps de réponse et d'assurer une meilleure protection.

Voir la Figure 2 et la page des accessoires.

**Démarrage (E)**

Lorsque l'unité sert pour la première fois, ou suite à une longue période d'inactivité, de la fumée ou une odeur résultant de la poussière ou saleté éventuellement accumulée à l'intérieur de l'appareil peut se dégager. Ce phénomène est tout à fait normal et disparaît rapidement.

**Raccordement de la batterie à eau chaude (W).**

L'installation doit être effectuée par un installateur agréé.

La batterie à eau chaude est constituée de tubes de cuivre dotés d'ailettes en aluminium ; elle est conçue pour être raccordée à un circuit fermé d'eau chaude. La batterie à eau chaude ne doit pas être branchée sur un circuit hydraulique à pression standard, ni sur un circuit ouvert.

Noter que l'appareil doit être précédé d'une vanne de régulation ; voir le kit de vannes Frico.

La batterie à eau est à connecter à la partie supérieure de l'appareil via des tubes en acier à raccords DN20 (3/4 po) avec filetage externe. Des raccords flexibles sont disponibles sur commande en tant qu'accessoires ; voir les pages d'accessoires.

Les raccordements à la batterie à eau chaude doivent être dotés de vannes d'arrêt permettant une dépose aisée. La batterie est munie d'une vanne de vidange. Un purgeur d'air doit être raccordé à un point haut du circuit hydraulique. Les purgeurs d'air ne sont pas inclus.

REMARQUE : faire attention lors de la connexion des tuyaux. Pour un raccordement sur une canalisation, utiliser une clé ou un outil similaire pour maintenir la connexion entre le rideau d'air et les tuyaux afin d'éviter de tendre ces derniers et donc ne pas créer de fuite.

**Réglage de l'appareil et du débit d'air**

La direction et la vitesse du jet d'air doivent être réglés en tenant compte de la charge sur l'ouverture. Les pressions d'air présentes au niveau de l'entrée influent sur le débit d'air, le repoussant vers l'intérieur (lorsque le local est chauffé et que l'air extérieur est froid).

Le débit d'air doit par conséquent être orienté vers l'extérieur de manière à contrebalancer la charge. D'une manière générale, plus la charge est élevée, plus l'angle doit être important.

**Réglage initial de la vitesse de ventilation**

La vitesse de ventilation lorsque la porte s'ouvre est réglée à l'aide de la commande. Garder à l'esprit le fait qu'un réglage fin de l'orientation et de la vitesse du débit d'air peut s'imposer en fonction de la charge.

## Filtre (W)

La batterie à eau chaude est protégée contre la poussière et l'obstruction par un filtre à air interne qui recouvre la surface du serpent. Dans des environnements dans lesquels le filtre a besoin d'être fréquemment nettoyé, il est conseillé d'utiliser un filtre d'entrée externe (voir la page des accessoires) qui facilite la maintenance puisque le nettoyage peut se faire sans devoir ouvrir l'appareil. Lorsqu'un filtre externe est utilisé, il faut retirer le filtre interne.

## Entretien, réparations et maintenance

Opérations initiales pour toute intervention d'entretien, de réparation et de maintenance :

1. Déconnecter l'alimentation électrique.
2. La trappe avant est retirée en ôtant les vis situées sur le haut de l'appareil et en détachant ensuite la partie courbe en bas de l'appareil. (Fig.3)
3. Refermer la trappe avant suite aux travaux d'entretien, de réparation et de maintenance. Positionner la trappe sur le bord inférieur de la partie courbe puis serrer en haut à l'aide de vis.

Remarque : lorsque vous retirez les extrémités dans le cadre d'une intervention sur l'appareil, la grille de prise d'air se détache aussi.

## Entretien

*Appareil avec chauffage à eau chaude*

Le filtre doit être nettoyé régulièrement pour garantir l'effet rideau d'air et l'émission de chaleur. La fréquence de ce nettoyage dépend de l'environnement immédiat de l'appareil.

Un filtre obstrué ne constitue pas un risque, mais peut entraîner la panne de l'appareil.

1. Déconnecter l'alimentation électrique.
2. La trappe avant est retirée en ôtant les vis situées sur le haut de l'appareil et en détachant ensuite la partie courbe en bas de l'appareil. (Fig.3)
3. Retirer le filtre et le nettoyer à l'aspirateur ou le laver. Si le filtre est obstrué ou endommagé, il peut être nécessaire de le changer.

*Tous les appareils*

Les moteurs du ventilateur et les autres organes de l'appareil ne nécessitant aucune

maintenance, seul un nettoyage régulier est nécessaire. La fréquence de nettoyage dépend des conditions locales. Un nettoyage s'impose cependant au moins deux fois par an. Les grilles d'admission et de diffusion, la turbine et les autres éléments peuvent être nettoyés à l'aspirateur, ou essuyés à l'aide d'un chiffon humide. Lors du passage de l'aspirateur, utiliser une brosse afin de ne pas endommager les pièces fragiles. Ne pas utiliser de produits de nettoyage très alcalins ou acides.

## Surchauffe

Le modèle à chauffage électrique est doté d'un dispositif anti-surchauffe. Si ce dispositif se déclenche, il convient de le réinitialiser de la manière suivante :

1. Débrancher l'électricité au niveau de l'interrupteur entièrement isolé.
2. Déterminer la cause de la surchauffe et y remédier.
3. Retirer la trappe avant.
4. Appuyer sur le bouton rouge à l'intérieur du rideau d'air, situé sur le pignon interne du boîtier de raccordement.
5. Repositionner la trappe avant et raccorder l'appareil.

Tous les moteurs sont équipés d'une sécurité thermique intégrale. Elle fonctionne en arrêtant le fonctionnement du rideau d'air si la température du moteur est trop élevée. Le disjoncteur différentiel se réinitialise automatiquement lorsque la température revient dans la plage admissible.

## Commande de la température

Voir les pages relatives au système de régulation.

## Remplacer le moteur ou la turbine

1. Retirez la face avant.
2. Ôter le panneau latéral.
3. Retirer la vis entre le moteur et le ventilateur.
4. Débrancher les câbles du moteur.
5. Retirer les vis de fixation du moteur et ôter celui-ci ainsi que la turbine.
6. Mettre en place le nouveau moteur et/ou la nouvelle turbine en suivant les étapes ci-dessus dans l'ordre inverse.

## Remplacer une résistance/kit de chauffage (E)

1. Repérer et débrancher les câbles des éléments/du kit de chauffage.
2. Retirer les vis de fixation qui maintiennent les éléments/le kit de chauffage à l'intérieur de l'unité et les sortir en les soulevant.
3. Mettre en place les nouveaux éléments/le kit de chauffage dans le sens inverse de la description ci-avant.

## Remplacement de la batterie à eau chaude.

1. Couper l'alimentation d'eau de l'appareil.
2. Déconnecter les tubes d'alimentation de la batterie à eau chaude.
3. Détachez les extrémités en plastique.
4. Détachez la grille de prise d'air en dévissant le(s) vis à l'aide d'une perceuse.
5. Retirer les vis de fixation de la batterie et la déposer.
6. Mettre en place la nouvelle batterie en inversant les étapes ci-dessus.

## Purge de la batterie à eau chaude (W)

La purge est située sous la batterie, du côté du raccord. On peut y accéder par la trappe d'entretien.

## Dépannage

*Si les ventilateurs ne démarrent pas ou ne fonctionnent pas correctement, contrôler les points suivants :*

- Vérifier les fonctions et réglages du système de régulation intégré.
- Propreté de la grille/du filtre de prise d'air.

*Si le chauffage ne fonctionne pas, contrôler les points suivants :*

- Les fonctions, la sonde intérieure et les paramètres du système de régulation intégré.

*Pour les appareils à chauffage électrique, contrôler également les points suivants :*

- Alimentation électrique de la résistance : contrôler fusibles et disjoncteur (le cas échéant).
- Activation éventuelle de la protection anti-surchauffe.

*Pour les appareils à batterie à eau chaude, contrôler également les points suivants :*

- Purge de la batterie à eau chaude.
- Débit d'eau suffisant.
- Eau entrante suffisamment chaude.

Si le problème persiste, faire appel à un technicien d'entretien qualifié.

## Disjoncteur à courant résiduel (E)

Si l'installation est protégée par un disjoncteur à courant résiduel, et que ce dernier se déclenche à la mise sous tension de l'appareil, le problème peut être lié à la présence d'humidité dans l'élément de chauffe. En cas de stockage prolongé dans un lieu humide, l'élément de chauffe de l'appareil peut avoir pris l'humidité.

Ce n'est pas une panne et il est facile d'y remédier en branchant provisoirement l'appareil sur le secteur via une prise sans disjoncteur différentiel, de sorte à sécher l'élément de chauffe. Le séchage peut prendre de quelques heures à quelques jours. À titre préventif, il est conseillé de faire fonctionner l'appareil pour une courte durée, de temps à autre, lorsqu'il n'est pas en service pendant une période prolongée.

## Emballage

Les matériaux d'emballage sélectionnés sont recyclables, dans un souci de respect de l'environnement.

## Gestion du produit en fin de vie

Ce produit peut contenir des substances qui sont nécessaires à son fonctionnement, mais peuvent constituer un danger pour l'environnement. Il ne doit donc pas être jeté avec les déchets ménagers, mais déposé dans un point de collecte agréé en vue d'être recyclé. Veuillez contacter les autorités locales pour en savoir plus sur le point de collecte agréé le plus proche de chez vous.



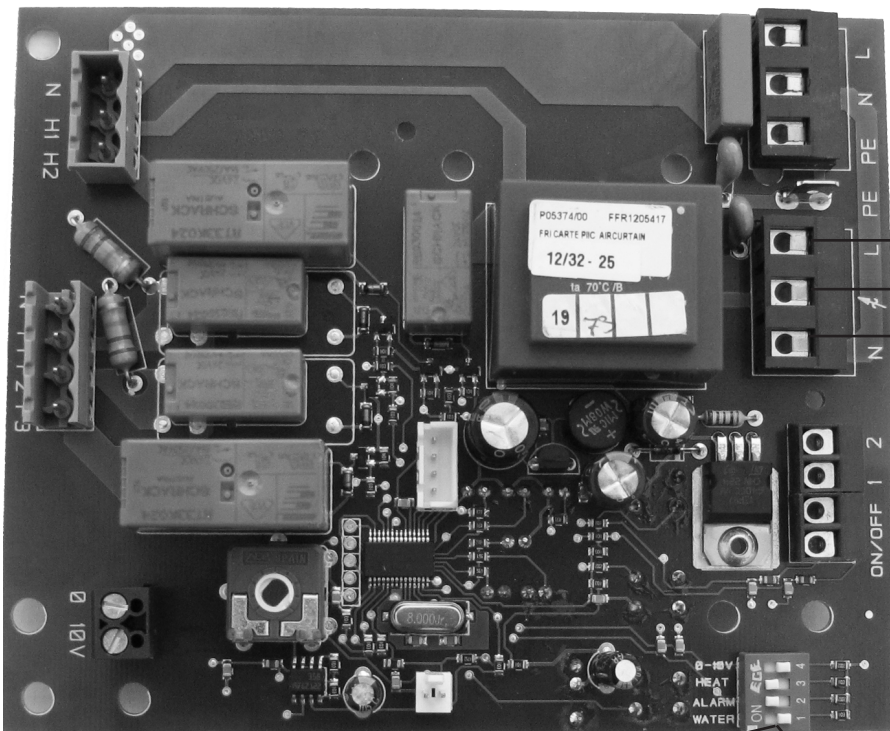
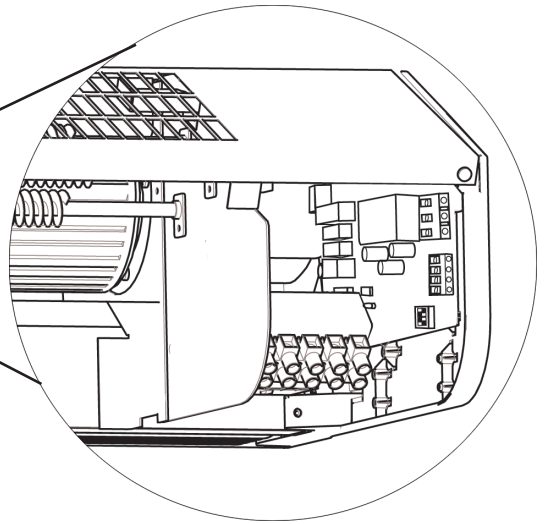
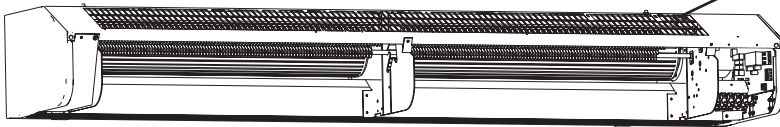
**Sécurité**

- *Un disjoncteur à courant résiduel de 300 mA doit être utilisé contre les risques d'incendie dans les installations de produits avec chauffage électrique.*
- *Veiller à ce que les zones à proximité des grilles de prise et de sortie d'air soient libres de tout objet susceptible de provoquer des obstructions.*
- *L'appareil ne doit en aucun cas être couvert : toute surchauffe est susceptible de provoquer un incendie.*
- *L'appareil doit être soulevé à l'aide d'équipement de levage.*
- *Les enfants de plus de 8 ans peuvent utiliser cet appareil, tout comme les personnes aux capacités physiques, mentales ou sensorielles réduites, ou manquant d'expérience ou de connaissances, si une personne les a conseillés ou formés à son utilisation et aux dangers possibles. Les enfants ne doivent pas jouer avec cet appareil. Le nettoyage et l'entretien de l'appareil ne doivent pas être confiés aux enfants sans surveillance.*
- *Tenez les enfants âgés de moins de 3 ans éloignés de l'appareil, à moins qu'ils ne soient constamment surveillés.*
- *Les enfants âgés de 3 à 8 ans sont autorisés à allumer et éteindre l'appareil, à condition qu'il soit placé et installé dans sa position de service habituelle et que les enfants soient rigoureusement surveillés et formés sur la façon d'utiliser l'appareil de façon sûre et sur les dangers que cela implique.*
- *Les enfants âgés entre 3 et 8 ans ne sont pas autorisés à introduire la fiche, à régler et nettoyer l'appareil ou à en effectuer la maintenance.*

**ATTENTION:** Certaines parties de l'appareil peuvent devenir très chaudes et provoquer des brûlures. Il est nécessaire de prêter particulièrement attention en présence d'enfants ou de personnes vulnérables.

**Regulation**

Le rideau d'air dispose d'un système de régulation intégré et peut être commandé à distance.



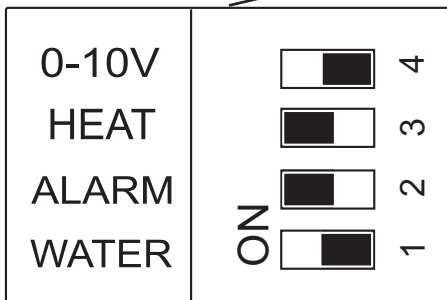
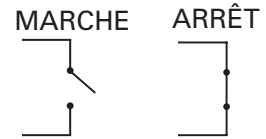
208V~

Noir  
Marron  
Bleu

Electrovanne SD230  
(ôter le raccord rapide)

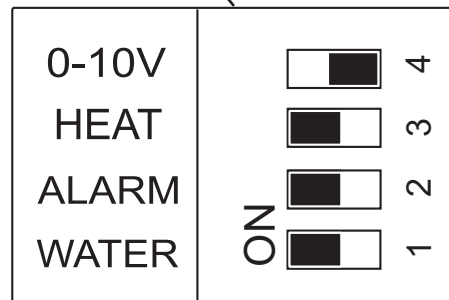
PA2DR

Interrupteur marche/arrêt externe  
Par exemple : temporisateur  
Fermeture externe sans potentiel = arrêt



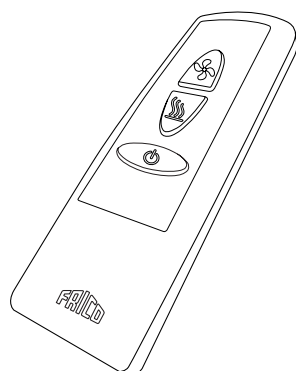
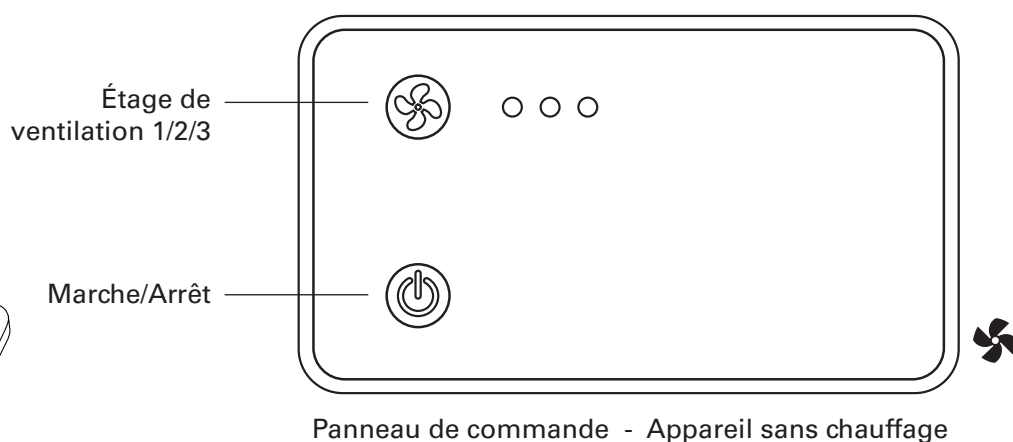
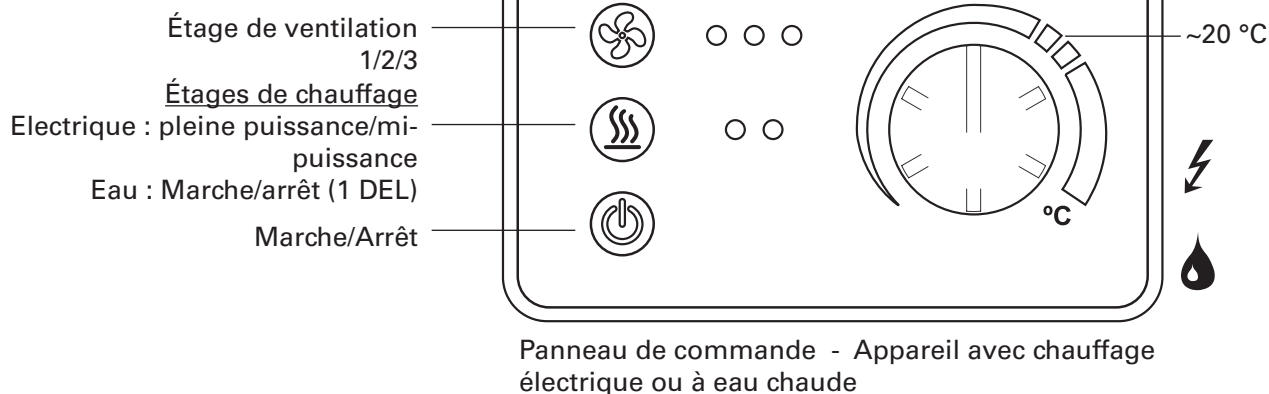
Réglage d'usine des commutateurs DIP - Appareil sans chauffage ou avec chauffage électrique

Le commutateur DIP n°3 est utilisé pour PA2DR.



Réglage d'usine des commutateurs DIP - Appareil avec chauffage à eau chaude

Le commutateur DIP n°3 est utilisé pour PA2DR.



Télécommande - marche/arrêt, étages de ventilation et étages de chauffage.

### Le contrôle fonctionnel

Le contrôle fonctionnel est initié à l'aide de la télécommande.

Appuyer sur



et



en 5 secondes

Les étapes de ventilation et de chauffage sont testées à intervalles de 10 secondes indiquées par des DEL. Quand le test est terminé, toutes les DEL clignotent 30 secondes.

### Commande de la température

Si la température est supérieure à 50 °C, la ventilation fonctionne à pleine vitesse pendant 2 minutes afin d'évacuer la chaleur. Si la température dépasse à nouveau 50 °C au cours des 5 minutes suivantes, une alarme de surchauffe se déclenche. Les DEL rouges clignotent et tous les boutons sont alors verrouillés.

1. Débrancher l'électricité au niveau de l'interrupteur entièrement isolé.
2. Déterminer la cause de la surchauffe et y remédier.
3. Remonter l'appareil.

## Traduction des pages de présentation

• Gland	= Presse-étoupe
• open the unit	= Ouvrir l'appareil
• Minimum distance	= Distances minimales
• Mounting with wall brackets	= Installation avec des consoles pour montage mural
• pcs	= Pièces
• Accessories	= Accessoires

## Caractéristiques techniques

Output steps	= Etages de puissance
Output* <sup>4</sup>	= Puissance
Airflow* <sup>1</sup>	= Débit d'air
Sound power* <sup>2</sup>	= Puissance acoustique
FLA (full load amperage)* <sup>3</sup>	= FLA (intensité totale)
Voltage motor	= Tension moteur
Amperage motor	= Intensité moteur
Voltage / Amperage heat	= Tension / Intensité chauffage
Water volume	= Volume d'eau
Length	= Longueur
Weight	= Poids

\*<sup>1</sup>) Débit d'air maxi sur 3 étages de ventilation au total.

\*<sup>2</sup>) Les valeurs indiquées concernent les niveaux de puissance acoustique totaux pour une installation de type A: entrée libre, sortie libre. Les niveaux de puissance acoustique indiqués sont en décibels, référés à 10-12 watts, calculés selon la norme AMCA 301.

\*<sup>3</sup>) FLA: intensité totale du moteur et de la puissance.

\*<sup>4</sup>) Valable pour une temp. d'eau de 80/60 °C / 176/140 °F, temp. d'air d'entrée 18 °C / +64 °F.

Le tableau ci-dessus est valable pour 208V/1ph/60Hz. Egalement approuvé pour 230V/1ph/60Hz. La performance du produit pour 230V/1ph/60Hz est différente des données indiquées.

Indice de protection pour les appareils avec chauffage électrique : IP20.

Indice de protection pour les appareils sans chauffage et appareils avec chauffage à eau : IP21.

Marquage CE.

## Tableaux de dimensionnement

Supply water temperature	= Température de l'eau d'alimentation
Room temperature	= Température ambiante
Outlet air temperature* <sup>1</sup>	= Température de l'air de sortie
Water temperature	= Température de l'eau
Fan position	= Position ventilateur
Airflow	= Débit d'air
Output* <sup>2</sup>	= Puissance
Return water temperature	= Température retour d'eau
Water flow	= Débit hydraulique
Pressure drop	= Perte de charge

\*<sup>1</sup>) Température d'air de sortie recommandée pour un confort et un rendement optimaux.

\*<sup>2</sup>) Puissance nominale à une température d'eau spécifique d'alimentation et de retour.

## Caractéristiques techniques

Outlet velocity uniformity at nozzle	= Vitesse de sortie moyenne à la buse
Max velocity at nozzle	= Vitesse maximale à la buse
Avg. outlet velocity at nozzle	= Uniformité de la vitesse de sortie à la buse
Nozzle depth and width	= Profondeur et largeur de la buse



Frico AB certifie que les rideaux d'air PAEC3200CA, PAEC3200CE et PAEC3200CW présentés ici sont autorisés à porter le sceau AMCA. Les cotes de performance indiquées sont basées sur des tests et des procédures exécutés conformément à la publication AMCA 211 et à la publication AMCA 311 et sont conformes aux exigences du programme de classification certification AMCA. Le sceau de classification certifié AMCA s'applique au débit d'air, à la vitesse moyenne de sortie, à l'uniformité de la vitesse de sortie, à la projection de vitesse et à la puissance nominale à la livraison gratuite uniquement.







**Main office**

Frico AB  
Industrivägen 41  
SE-433 61 Sävedalen  
Sweden

Tel: +46 31 336 86 00

mailbox@frico.se

www.frico.net

**For latest updated information and information  
about your local contact: [www.frico.net](http://www.frico.net).**