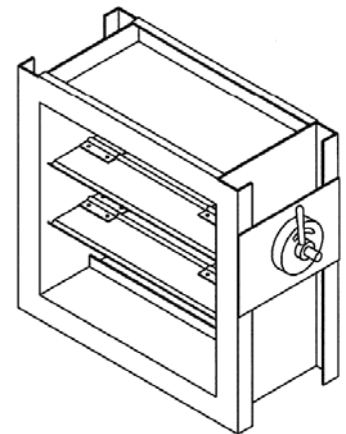


Prefco-JohnsonTech Air Control Inc. certifies that the Model C5000 Volume Control Damper shown herein is licensed to bear the AMCA Seal. The ratings shown are based on tests and procedures performed in accordance with AMCA Publication 511 and comply with the requirements of the AMCA Certified Ratings Program. The AMCA Certified Ratings Seal applies to air performance only.



Application

The C5000 volume control damper is the high performance damper in volume control of the air flow. This damper utilizes a manual handle to control the open degrees of blades. The damper may be installed vertically or horizontally for use in barriers requiring limited air flow volume. °



C5000 Volume Control Damper

Standard Construction

Frame

Wrap around full channel frame – Galvanized Steel

Blades

Galvanized Steel

Seals

Compression type silicone seals

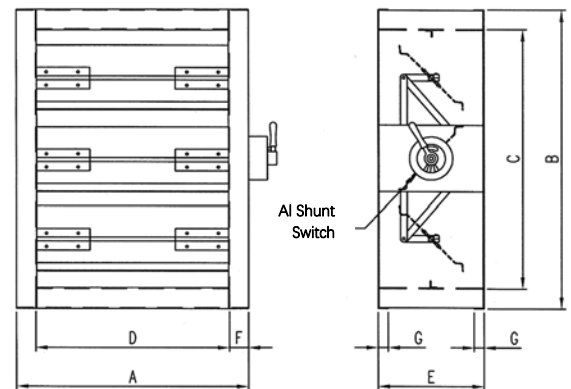
Bearings

Stainless Steel Bearing

Single Module Size




Width: 12"~36"

Height: 12"~48"



C5000 VD Size Reference

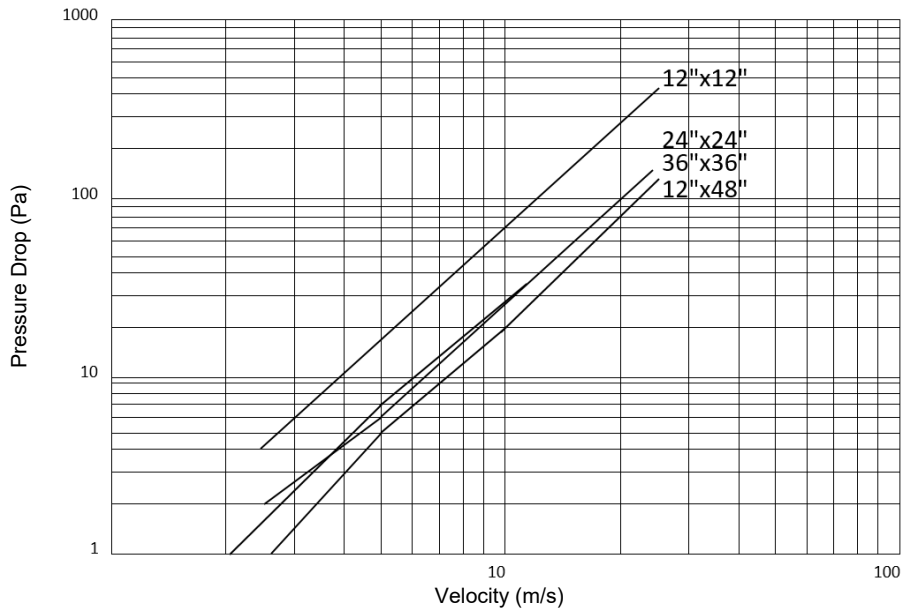
Options & Accessories

-  Dual Blade Position Indicator Switches (Switch#1)
-  Factory Supplied Sleeves – 18 or 14 Gauge, 18" or 24" deep
-  Single or Dual Blade stiffeners - for strength & stability of wider units in high pressure systems

Test Information

Tested in accordance with ANSI/AMCA 500D-Figure 5.3

Air Performance Data



12"x12" Air Performance

Det.No	Velocity (m/s)	ΔP_D (Pa)
1	25.1	421
2	20.1	272
3	10.1	69
4	5.1	17
5	2.5	4

24"x24" Air Performance

Det.No	Velocity (m/s)	ΔP_D (Pa)
1	25.1	162
2	20.1	105
3	10.1	26
4	5.1	6
5	2.5	2

36"x36" Air Performance

Det.No	Velocity (m/s)	ΔP_D (Pa)
1	25.0	162
2	20.0	105
3	10.1	27
4	5.1	7
5	2.1	1

12"x48" Air Performance

Det.No	Velocity (m/s)	ΔP_D (Pa)
1	25.2	126
2	20.1	81
3	10.1	19
4	5.1	5
5	2.5	1

Test Method

The high stability and reliability performance of C5000 volume control damper was tested in accordance to AMCA 500-D Fig5.3

