



# Model 445-CW

Extruded Aluminum Louver

Free Area: 47%

## Specifications

### Application:

The 445-CW combination, non-drainable and adjustable, louver utilizes a uniquely designed weather control blade to be used in intake and exhaust applications that do not require high water penetration protection. The louver utilizes a built in adjustable control damper to allow airflow shutoff. The 445-CW is an AMCA certified louver.

### Standard Construction:

Material: Mill finish 6063-T5 extruded aluminum  
 Frame: Heavy gauge 4" deep x .081" thick  
 Blade: 45° non-drainable weather control .081" thick - spaced 4" apart  
 Bird Screen: Expanded metal

### Sizes:

Minimum: 12"W x 12"H  
 Single-Section Maximum: 72"W x 120"H

### Frame Styles:

**Standard:** Flush Box - No Flange  
**Optional:** Bottom Flange Only  
 Full Perimeter Flange

### Options:

Insect Screen: Front  
 Mounting Sleeves: 8", 10", 12", 14", or 16"

### Performance Features:

47% Free Area  
 Published performance ratings based on testing in accordance with AMCA Standard 500-L  
 Beginning Point of Water Penetration:  
 Free Area Velocity: 782 fpm (3.97 m/s)  
 Air Volume Delivered: 5,825.9 cfm (2.75 m<sup>3</sup>/s)

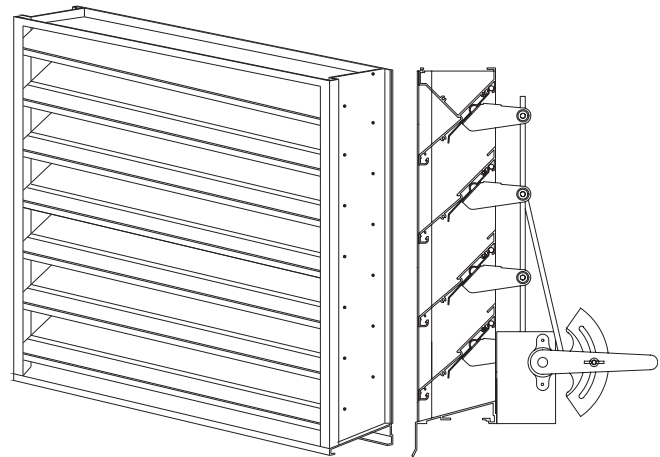
### Certified Ratings:



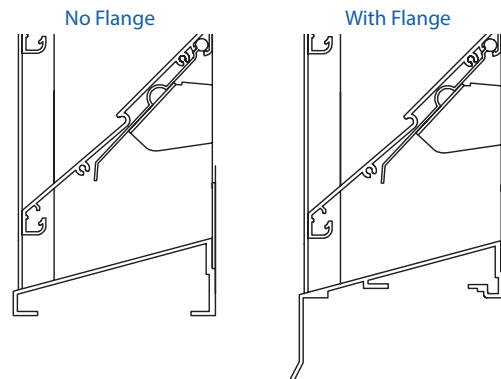
Aire Technologies certifies MODEL 445-CW shown here is licensed to bear the AMCA seal. The ratings shown are based on tests and procedures performed in accordance with AMCA Publication 511 and complies with the requirements of the AMCA certified Ratings Program. The AMCA Certified Ratings Seal applies to air performance ratings and water penetration ratings only.

### Note:

All 445-CW Louvers are built 1/4" under size both directions unless ordered actual size.



## Frame Styles

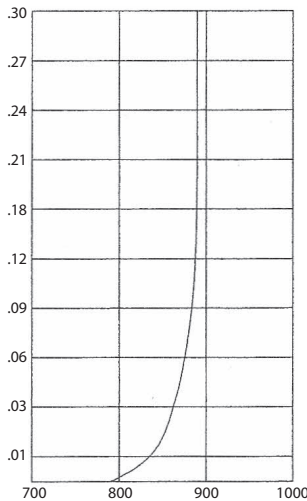


**Free Area Chart For 445-SW And 445-CW (Sq. Ft)**

		Width in Inches																	
		12	18	24	30	36	42	48	54	60	66	72	78	84	96	102	108	114	120
Height in Inches	12	224 0.286	368 0.468	504 0.645	646 0.826	790 1.01	930 1.19	1071 1.37	1212 1.55	1353 1.73	1493 1.91	1634 2.09	1775 2.27	1915 2.45	2197 2.82	2338 2.99	2487 3.18	2628 3.36	2768 3.54
	18	364 0.468	593 0.759	813 1.04	1048 1.34	1282 1.64	1509 1.93	1743 2.23	1970 2.52	2205 2.82	2431 3.11	2658 3.4	2893 3.7	3119 3.99	3581 4.58	3808 4.87	4035 5.16	4262 5.45	4496 5.75
	24	560 0.717	915 1.17	1267 1.62	1618 2.07	1970 2.52	2330 2.98	2682 3.43	3033 3.68	3385 4.33	3745 4.79	4097 5.24	4448 5.69	4800 6.14	5512 7.05	5857 7.49	6217 7.95	8569 8.4	6921 8.85
	30	704 0.901	1118 1.43	1595 2.04	2033 2.6	2478 3.17	2924 3.74	3369 4.31	3815 4.68	4253 5.44	4699 6.01	5144 6.58	5590 7.15	6035 7.72	6927 8.86	7359 9.41	7804 9.98	8250 10.55	9009 11.52
	36	899 1.15	1462 1.87	2025 2.59	2595 3.32	3158 4.04	3721 4.76	4292 5.49	4855 6.21	5418 6.93	6082 7.78	6551 8.38	7114 9.1	7685 9.63	8811 11.27	9376 11.99	9947 12.72	10510 13.44	10995 14.06
	42	1040 1.33	1689 2.16	2445 3	2994 3.63	3651 4.67	4308 5.51	4957 6.34	5613 7.18	6270 8.02	6919 8.85	7576 9.69	8225 10.52	8861 11.36	10187 13.03	10846 13.87	11495 14.7	12152 15.54	12801 16.37
	48	1235 1.58	2009 2.57	2791 3.57	3585 4.58	4347 5.56	5121 6.55	5824 7.45	6676 8.54	7451 9.53	8232 10.53	9006 11.52	9788 12.52	10582 13.51	12118 15.5	12895 16.49	13990 17.89	14451 18.48	15233 19.48
	54	1376 1.76	2236 2.86	3104 3.97	3971 5.08	4839 6.19	5699 7.29	6567 8.4	7435 9.51	8287 10.62	9163 11.72	10030 12.83	10898 13.94	11766 15.05	13494 17.26	15358 18.36	15226 19.47	16094 20.58	16962 21.69
	60	1584 2	2556 3.27	3549 4.54	4534 5.8	5527 7.07	6520 8.34	7505 9.6	8522 10.87	9460 12.13	10476 13.4	11469 14.67	12454 15.93	13447 17.2	15425 19.73	16414 20.99	17407 22.26	18393 23.52	19386 24.79
	66	1712 2.19	2791 3.57	3862 4.94	4941 6.32	6020 7.7	7099 9.08	8209 10.46	9225 11.84	10320 13.22	11414 14.6	12485 15.97	13564 17.35	14643 18.73	16800 21.49	17877 22.86	18956 24.24	20035 25.62	21114 27
	72	1907 2.44	3104 3.97	4308 5.51	5512 7.05	6716 8.59	7896 10.12	9147 11.66	10320 13.2	11492 14.73	12720 16.27	13924 17.81	15128 19.35	16332 20.89	18732 23.96	19933 25.49	21137 27.03	22334 28.58	23538 30.1
	78	2048 2.62	3338 4.27	4636 5.93	5926 7.58	7216 9.23	8522 10.89	9772 12.54	11101 14.19	12352 15.84	13681 17.5	14971 19.15	16261 20.8	17559 22.46	20139 25.76	21435 27.41	22725 29.06	24023 30.72	25313 32.37
84	2244 2.87	3659 4.68	5066 6.46	6481 8.29	7896 10.1	9303 11.91	10711 13.72	12118 15.53	13525 17.33	14964 19.14	16378 20.95	17794 22.76	19209 24.57	22031 28.18	23452 29.99	24668 31.8	26263 33.61	27691 35.41	
96	2580 3.3	4206 5.38	5832 7.46	7458 9.54	9077 11.61	10711 13.7	12352 15.78	13994 17.86	15558 19.94	17207 22.01	18833 24.09	20460 26.17	22066 28.25	25338 32.41	26971 34.49	28598 36.57	30224 38.65	31851 40.73	

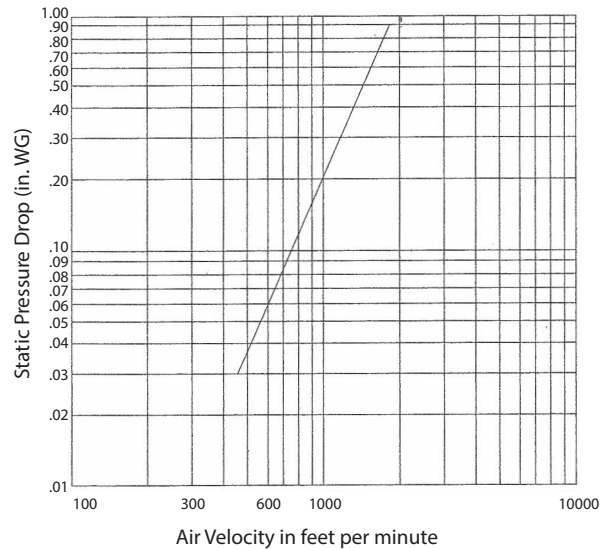
This table has been developed to assist in application and selection of these louvers. Two numbers are shown for each louver size. The upper number shows CFM of air flow permitted when selecting an intake louver at the point of zero water penetration. Pressure drop when using this Selection Guide for an intake louver will be .07 in. w.g. The lower number shows sq. ft. of louver free area for each louver size. Louvers may be selected at other Operating points on the Performance Curves if desired using the formula. CFM = Free Area (sq. ft.) x Free Area Velocity (FPM)

**Water Penetration Chart**



Beginning point of water penetration per AMCA Publication 511 Subsection C3.2 based on AMCA measured free area: 782 fpm. Test duration was 15 min and test size was 48" x 48".

**Air Performance Chart**



The performance shown is done at standard air density, 0.075lbs./ft. The pressure drop data applies to the intake side of the test unit that was 48" x 48" only.



Aire Technologies certifies MODEL 445-CW shown here is licensed to bear the AMCA seal. The ratings shown are based on tests and procedures performed in accordance with AMCA Publication 511 and complies with the requirements of the AMCA Certified Ratings Program. The AMCA Certified Ratings Seal applies to air performance ratings and water penetration ratings only.

