

### ECV-345-MD

(standard)

\*Louver dimensions furnished approximately 1/2" (13) undersize.

## Ratings

**Free Area:** [48" × 48" (1219 × 1219) unit]: 7.5 ft<sup>2</sup> (0.70 m<sup>2</sup>)  
46.9%

### Performance @ Beginning Point of Water Penetration

**Free Area Velocity:** 1,250 fpm (6.35 m/s)

**Air Volume Delivered:** 9,375 cfm (4.42 m<sup>3</sup>/s)

**Pressure Loss:** 0.19 in.wg. (47 Pa)

**Velocity @ 0.15 in.wg. Pressure Loss:** 1,106 fpm (5.62 m/s)

**AMCA 540 (impact resistant, basic protection, level D) listed**

**AMCA 550 (high velocity rain resistant) listed**

**Miami Dade County:** NOA No. 23-1215.12 (Expires 7/23/2025)

Approved to FBC TAS201-94, TAS202-94 and  
TAS203-94 and TAS100(A)-95

**Florida Building Code Approval (2023-FBC):** No. FL32625.1

**Design Load:** 100 psf

The ECV-345-MD louver is engineered and tested to withstand extreme loads, debris impact, and cyclic fatigue associated with the severe weather effects of hurricanes (Miami-Dade County approval #23-1215.12). The design uses closely-spaced blades and a frame with built-in gutter and downspouts to achieve maximum water infiltration resistance for minimal louver depth. The ECV-345-MD is AMCA 540 and 550 listed, making it ideally suited for use in hurricane-prone and windborne debris regions as per the International Building Code.

## Standard Construction

**Material:** Mill finish 6063 extruded aluminum

**Frame:** 3" deep × 0.075" thick (84 × 1.9) channel

**Blades:** 45° × 0.063" (1.6) thick vertical chevron style

**Screen:** 1/2" × 0.063" (12.7 × 1.6) expanded and flattened aluminum

**Mullion:** Visible

**Sill Flashing:** Closed end

**Minimum Size:** 12" × 12" (305 × 305)

**Maximum Size:**

Single section: 60" × 96" (1524 × 2438)

Multiple section: Unlimited width × 96" (2438)

**Shipping Weight (approximate):** 6 lbs/ft<sup>2</sup> (26 kg/m<sup>2</sup>)

**Installation Hardware:** Standard continuous angles and associated fasteners (anchors to substrate by others - refer to installation instructions)

## Options

### ■ Factory finish:

- High Performance Fluoropolymer
- Prime Coat
- Baked Enamel
- Clear Anodize
- Integral Color Anodize

### ■ Frame Options:

- 1-1/2" (38) flange frame

### ■ Alternate bird or insect screens

### ■ Insulated or non-insulated blank-off panels

### ■ Filter racks

### ■ Head flashing

### ■ Burglar bars

**5** year  
warranty



**NOTE:** Dimensions in parentheses ( ) are millimeters.  
Information is subject to change without notice or obligation.

# PERFORMANCE

## ECV-345-MD

Extruded Aluminum Louver  
3" deep • 45° Vertical Blade

### Free Area (ft<sup>2</sup>)

		Width (Inches)								
		12	18	24	30	36	42	48	54	60
Height (Inches)	12	0.2	0.4	0.6	0.8	0.9	1.1	1.3	1.4	1.6
	18	0.5	0.8	1.1	1.4	1.7	2.0	2.3	2.6	2.9
	24	0.7	1.1	1.6	2.0	2.4	2.9	3.3	3.8	4.2
	30	0.9	1.5	2.0	2.6	3.2	3.8	4.4	5.0	5.5
	36	1.1	1.8	2.5	3.2	4.0	4.7	5.4	6.1	6.9
	42	1.3	2.1	3.0	3.9	4.7	5.6	6.5	7.3	8.2
	48	1.5	2.5	3.5	4.5	5.5	6.5	7.5	8.5	9.5
	54	1.7	2.8	4.0	5.1	6.3	7.4	8.5	9.7	10.8
	60	1.9	3.2	4.5	5.7	7.0	8.3	9.6	10.9	12.1
	66	2.1	3.5	4.9	6.4	7.8	9.2	10.6	12.0	13.5
	72	2.3	3.9	5.4	7.0	8.5	10.1	11.7	13.2	14.8
	78	2.5	4.2	5.9	7.6	9.3	11.0	12.7	14.4	16.1
84	2.7	4.6	6.4	8.2	10.1	11.9	13.7	15.6	17.4	
90	2.9	4.9	6.9	8.9	10.8	12.8	14.8	16.8	18.7	
96	3.1	5.3	7.4	9.5	11.6	13.7	15.8	17.9	20.1	



#### Certified Ratings:

Pottorff certifies that the model ECV-345-MD shown herein is licensed to bear the AMCA seal. The ratings shown are based on test and procedures performed in accordance with AMCA Publication 511 and comply with the requirements of the AMCA Certified Ratings Program. The AMCA Certified Ratings seal applies to air performance, water penetration and wind-driven rain ratings.



**HIGH VELOCITY RAIN  
RESISTANT WITH BLADES  
FULLY OPEN AND  
IMPACT RESISTANT LOUVER**  
*Basic Protection Level D*

See [www.AMCA.org](http://www.AMCA.org) for all certified or listed products

This label does not signify AMCA airflow performance certification.

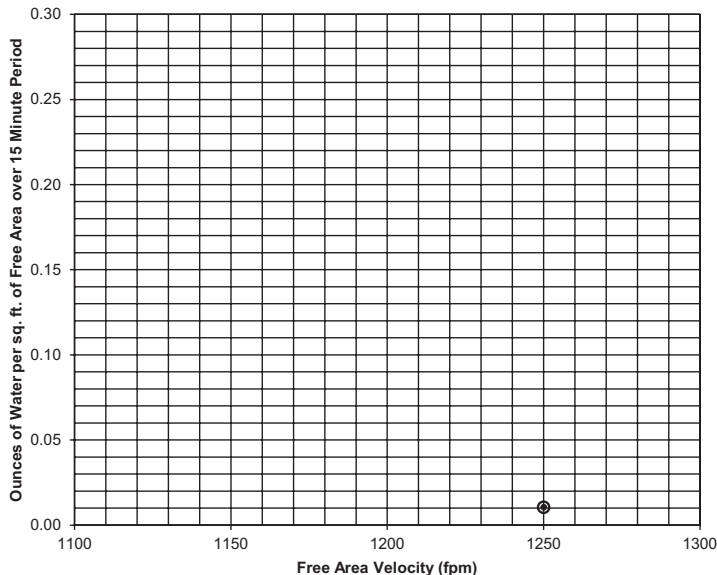
#### Certified Ratings:

Pottorff certifies that the model ECV-345-MD shown herein is approved to bear the AMCA listing label. The ratings shown are based on tests and procedures performed in accordance with AMCA publications and comply with the requirements of the AMCA listing label program. The AMCA listing label applies to high velocity rain and impact resistance.

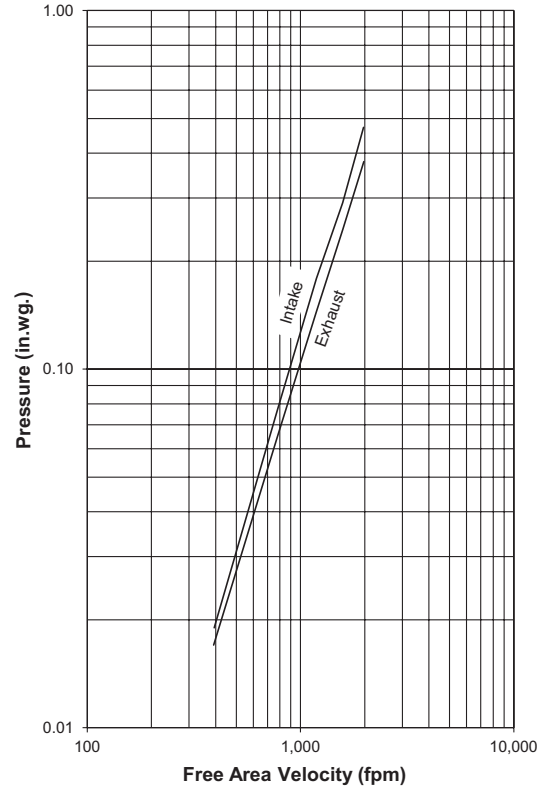
## Water Penetration

AMCA defines the beginning point of water penetration as the free area velocity at the intersection of a simple linear regression of test data and the line of 0.01 ounces of water per square foot of free area measured through a 48" x 48" louver during a 15 minute period. The AMCA water penetration test provides a method for comparing louver models and designs as to their efficiency in resisting the penetration of rainfall under specific lab conditions. We recommend that intake louvers are selected with a reasonable margin of safety below the beginning point of water penetration in order to avoid unwanted penetration during severe storm conditions.

**Beginning Point of Water Penetration = 1,250 fpm**



## Pressure Loss



Louver Test Size = 48" x 48" (1219 x 1219)  
Pressure loss tested in accordance with Figure 5.5 of AMCA Standard 500-L. Data corrected to standard air density.

# PERFORMANCE

## ECV-345-MD

Extruded Aluminum Louver  
3" deep • 45° Vertical Blade

### Wind Driven Rain Performance - AMCA 500L Wind-Driven Rain Test

Wind Velocity	Rainfall	Airflow cfm (m <sup>3</sup> /s)	Core Velocity <sup>1</sup> fpm (m/s)	Free Area Velocity <sup>2</sup> fpm (m/s)	Effectiveness Ratio	Wind-Driven Rain Penetration Class
29 mph	3 in/hr	10,616 (5.0)	986 (5.0)	1,916 (9.7)	100%	A
50 mph	8 in/hr	10,594 (5.0)	984 (5.0)	1,912 (9.7)	100%	A

**NOTE:**

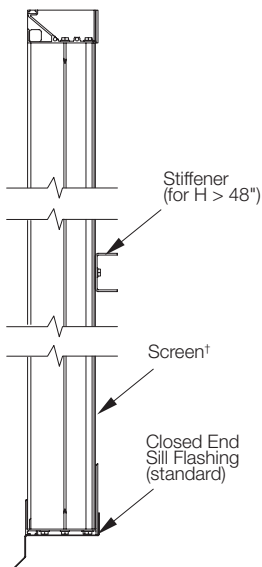
1. Core area is the open area of the louver face (face area less louver frame). Core velocity is the airflow divided by core area. Test louver core area is 10.77 ft<sup>2</sup> (1 m<sup>2</sup>).

2. Free area velocity is the airflow divided by free area. Test louver free area is 5.5 ft<sup>2</sup> (0.51 m<sup>2</sup>).

**Wind Driven Rain**

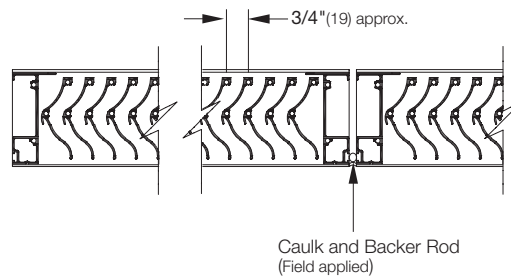
Class	Effectiveness
A	99% and above
B	95% to 98.9%
C	80% to 94.9%
D	below 80%

## Attributes

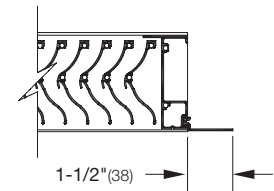


**Vertical Section**

†Screen adds approximately 3/16" (5) to louver depth



**Visible Vertical Mullion**  
(standard)

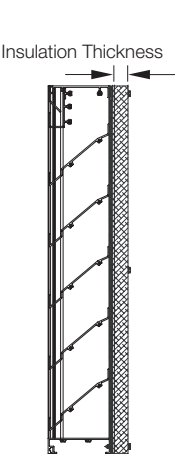


**Flange Frame**  
(optional)

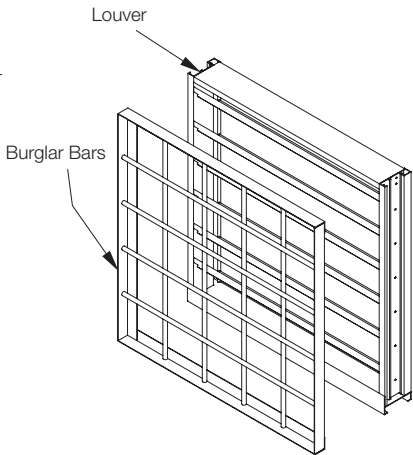
# ECV-345-MD

Extruded Aluminum Louver  
3" deep • 45° Vertical Blade

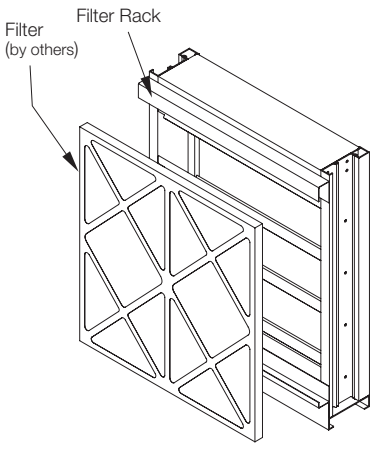
## Supplemental Options



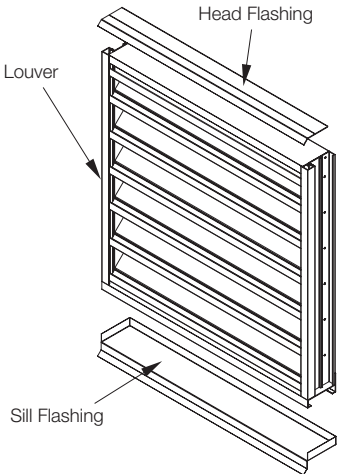
**Blank-Off Options**  
Non-Insulated and Gasketed  
1" Insulated (4.25 R-value)  
2" Insulated (8.75 R-value)



**Burglar Bars**  
Shipped Loose or Mounted



**Filter Rack**



**Flashing Options**  
Head and Sill Available