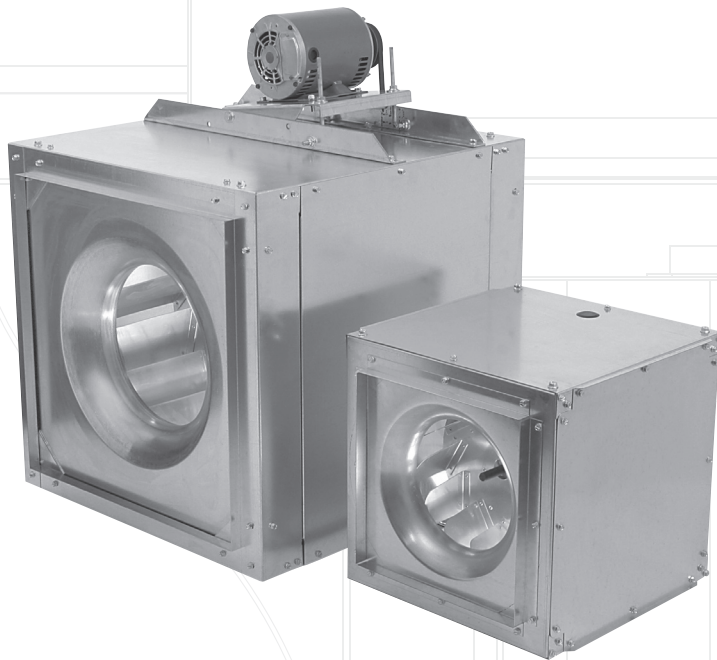




JencoFan, Div. of Soler & Palau Ventilation Group, certifies that the Models SQB & SQD shown herein are licensed to bear the AMCA Seal. The ratings shown are based on test and procedures performed in accordance with AMCA Publication 211 and AMCA Publication 311 and comply with the requirement of the AMCA Certified Ratings Program.

**JencoFan**  
A Tradition of Quality

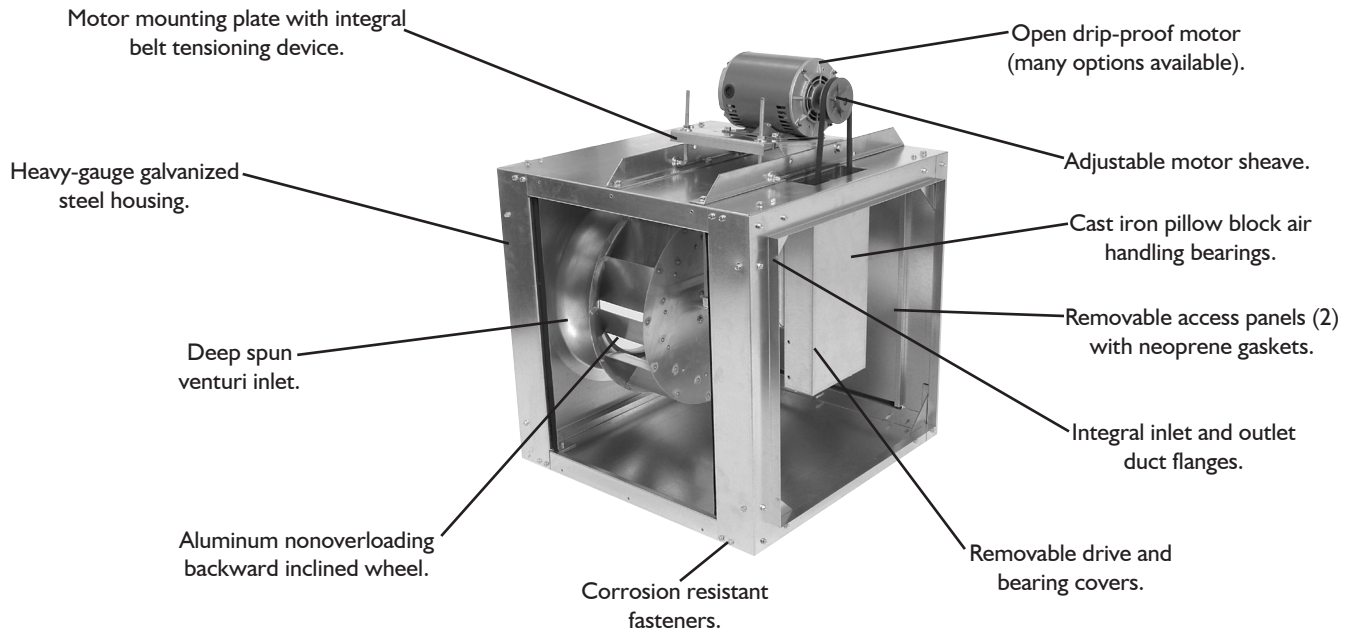
SQB/SQD 1.07



**SQUARE INLINE CENTRIFUGAL DUCT FANS  
MODELS SQB & SQD**

JANUARY 2007

# MODEL SQB (BELT DRIVE) SQUARE INLINE CENTRIFUGAL DUCT FANS



## Application

Model SQB fans are available in sizes 7 through 42, moving from 100 to over 24,000 CFM, with static pressure capabilities to 3-1/2". SQB units are the perfect selection for clean air applications where space is a leading consideration. The compact housing, with removable access doors (2), can be mounted in any orientation. AMCA licensed performance and UL listing (optional) assure that you have made a reliable selection. Refer to the back of the bulletin for detailed information regarding our complete range of options and accessories available with the SQB.

## Construction/Specification Checklist

### Blower/Housing

- Aluminum, nonoverloading, backward inclined centrifugal wheel statically and dynamically balanced.
- Deep spun venturi inlet.
- Heavy-gauge galvanized steel housing.
- Integral inlet and outlet duct collars.
- Universal mounting - horizontal, vertical, or any angle.
- Motors and drives out of the airstream.
- Removable drive and bearing covers for easy access.
- Easy access to interior of unit with removable side panels (two per unit) with closed cell neoprene gasketing.
- Motor, drives, wheel, shaft, and bearings removable from unit without disconnecting duct.
- Motor mount plate with integral belt tensioning device.
- Disconnect standard (except 2 speed and explosion proof motors).

### Shaft and Bearings

- Precision turned, ground, and polished steel fan shaft and keyed.
- Self aligning cast iron air handling pillow block bearings with re-lube fitting, double sealed and pre-lubricated, designed for

200,000 hour life, L50.

### Motor and Drives

- Permanently sealed ball bearing type motor furnished to the specified voltage, phase, and enclosure.
- Open drip-proof is standard. Two speed, totally enclosed, and explosion proof motors can be specified for most models.
- Drives are specified for a minimum of 150% of driven horsepower. Cast iron motor pulleys are factory set to the required RPM and are adjustable for final system balancing.

### Certifications

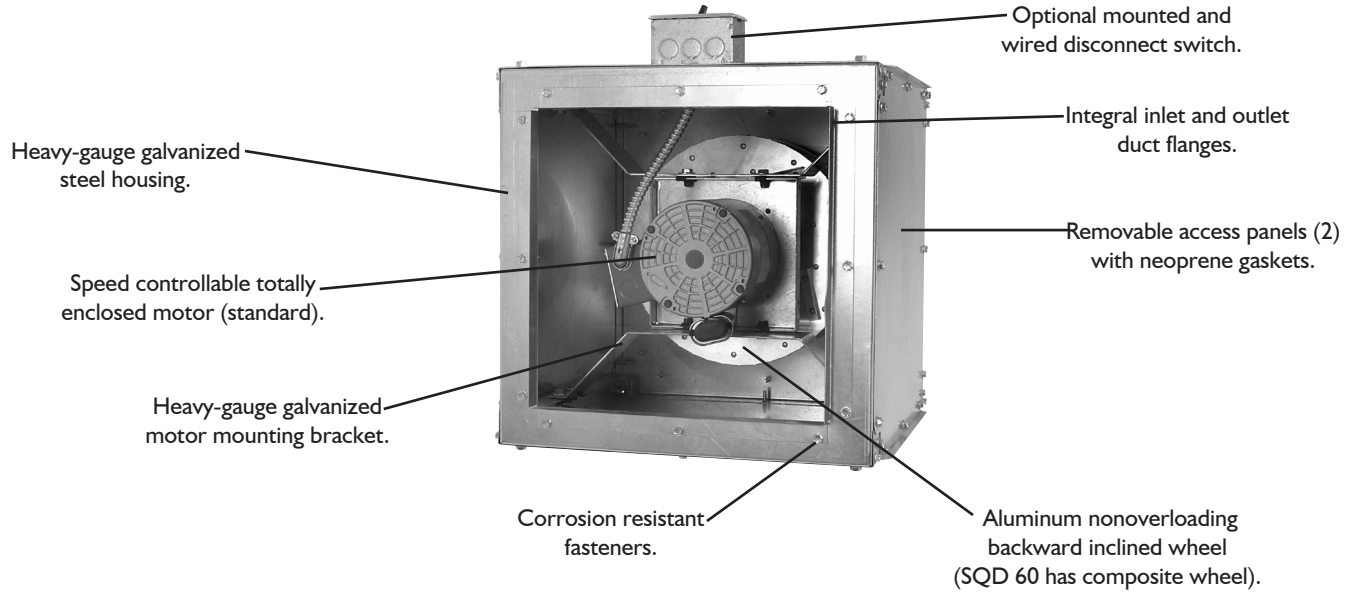
- AMCA - the AMCA Seal on all units assures certified rating of air and sound performance.
- UL - most models are available as listed by Underwriters Laboratories under Standard 705 when specified.



JencoFan, Div. of Soler & Palau Ventilation Group, certifies that the Models SQB & SQD shown herein are licensed to bear the AMCA Seal. The ratings shown are based on test and procedures performed in accordance with AMCA Publication 211 and AMCA Publication 311 and comply with the requirement of the AMCA Certified Ratings Program.



# MODEL SQD (DIRECT DRIVE) SQUARE INLINE CENTRIFUGAL DUCT FANS



## Application

Model SQD fans are available in sizes 6 through 15, moving up to 2,800 CFM, with static pressure capabilities to 1". SQD units are the perfect selection for clean air applications where space is a leading consideration. The compact housing with removable access doors can be mounted in any orientation. AMCA licensed performance and UL listing (optional) assure that you have made a reliable selection. Refer to the back of the bulletin for detailed information regarding our complete range of options and accessories available with the SQD.



JencoFan, Div. of Soler & Palau Ventilation Group, certifies that the Models SQB & SQD shown herein are licensed to bear the AMCA Seal. The ratings shown are based on test and procedures performed in accordance with AMCA Publication 211 and AMCA Publication 311 and comply with the requirement of the AMCA Certified Ratings Program.



## Construction/Specification Checklist

### Blower/Housing

- Aluminum, nonoverloading, backward inclined centrifugal wheel statically and dynamically balanced. SQD 60 has composite wheel.
- Deep spun venturi inlet.
- Heavy-gauge galvanized steel housing.
- Integral inlet and outlet duct collars.
- Universal mounting - horizontal, vertical, or any angle.
- Easy access to interior of unit with removable side panels with closed cell neoprene gasketing.
- Motor and wheel removable from unit without disconnecting duct.
- Disconnect standard (except 2 speed and explosion proof motors).

### Certifications

- AMCA - the AMCA Seal on all units assures certified rating of air and sound performance.
- UL - most models are available as listed by Underwriters Laboratories under Standard 705 when specified.

## WARRANTY

JencoFan warrants this equipment to be free from defects in materials and workmanship for one year from date of shipment. Any units or parts which prove to be defective and are reported during the warranty period will be replaced, exclusive of labor, at our option when returned to our factory, transportation prepaid. Deterioration or wear caused by heat, abrasive action, chemicals, improper installation, operation or lack of normal maintenance shall not constitute defect, and are not covered by warranty.

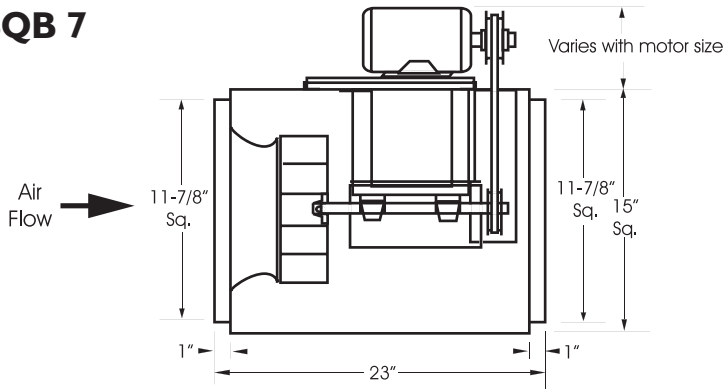
The motor is warranted by the motor manufacturer for one year. If the motor becomes defective in the warranty period, it should be taken to the nearest authorized motor service station. If this is not done, the motor manufacturer will not warrant the motor. Call the factory for instructions if the authorized motor service station is unknown.

**JencoFan will not be responsible for any installation, removal or reinstallation costs, consequential damages or any unauthorized back charges.**

All specifications are subject to change without notice unless approved in submittal by JencoFan.

# MODEL SQB (BELT DRIVE) PERFORMANCE/DIMENSIONAL DATA

## SQB 7



**Outlet Velocity = CFM x 1.02**  
**Tip Speed = RPM x 2.6835**  
**Maximum Motor Frame Size = 145T**  
**Maximum RPM = 2430**  
**Maximum BHP at a Given RPM = (RPM/3022)<sup>3</sup>**

**Unit Specifications**  
**Housing Metal Thickness = 18 GA.**  
**Approximate Weight = 75 lbs.**

CFM / BHP @ Static Pressure / Sones										Drive Range	RPM	HP	Tip Speed	
1/8	1/4	3/8	1/2	5/8	3/4	1	1-1/4	1-1/2	1-3/4					
151 .04/4.4	98 .04/4.4	-	-	-	-	-	-	-	-	DP 1	1070	1/4	2871	
169 .06/5.5	122 .06/5.4	-	-	-	-	-	-	-	-		1150	1/4	3086	
182 .06/6.2	138 .06/6.1	86 .06/6.1	-	-	-	-	-	-	-		1210	1/4	3247	
199 .08/7.1	159 .08/7.0	113 .08/7.0	-	-	-	-	-	-	-		1290	1/4	3462	
216 .09/7.9	179 .09/7.7	138 .09/7.7	89 .09/7.7	-	-	-	-	-	-		1370	1/4	3676	
233 .11/8.6	199 .11/8.5	161 .11/8.4	118 .11/8.4	-	-	-	-	-	-		1450	1/4	3891	
249 .13/9.4	217 .13/9.2	182 .13/9.1	144 .13/9.1	99 .12/9.1	-	-	-	-	-		1530	1/4	4106	
265 .15/10.2	235 .15/10.1	203 .15/9.9	167 .15/9.9	128 .15/9.9	-	-	-	-	-		1610	1/4	4320	
281 .18/11.2	253 .18/11.0	223 .18/10.8	190 .18/10.8	154 .17/10.8	114 .17/10.8	-	-	-	-		1690	1/4	4535	
289 .19/11.8	262 .19/11.7	232 .19/11.4	201 .19/11.3	167 .19/11.3	129 .18/11.3	-	-	-	-		1730	1/4	4642	
297 .20/12.4	270 .20/12.3	242 .20/12.0	211 .20/11.9	178 .20/11.9	143 .20/11.9	-	-	-	-	DP 2	1770	1/4	4750	
304 .22/13.0	279 .22/12.9	251 .22/12.6	222 .22/12.4	190 .22/12.4	156 .21/12.4	-	-	-	-		1810	1/4	4857	
312 .23/13.6	287 .23/13.5	260 .23/13.2	232 .23/12.9	201 .23/12.9	169 .23/12.9	-	-	-	-		1850	1/4	4964	
320 .25/14.2	296 .25/14.2	270 .25/13.9	242 .25/13.6	212 .25/13.5	181 .24/13.5	105 .22/13.5	-	-	-		1890	1/4	5072	
328 .26/14.9	304 .26/14.8	279 .26/14.5	252 .26/14.3	223 .26/14.2	193 .26/14.2	123 .24/14.2	-	-	-		1930	1/4	5179	
335 .28/15.5	312 .28/15.5	288 .28/15.2	261 .28/14.9	234 .28/14.8	205 .28/14.8	138 .26/14.8	-	-	-		DP 3	1970	1/3	5286
351 .32/16.8	329 .31/16.7	305 .31/16.6	281 .31/16.3	254 .31/16.1	227 .31/16.1	167 .31/16.1	-	-	-			2050	1/3	5501
362 .34/17.8	341 .34/17.7	319 .34/17.6	295 .34/17.3	270 .34/17.1	243 .34/17.0	186 .34/17.0	116 .31/17.0	-	-			2110	1/3	5662
377 .39/19.1	357 .38/19.0	336 .38/18.9	313 .38/18.7	289 .38/18.5	264 .38/18.3	211 .38/18.3	150 .36/18.3	-	-			2190	1/2	5877
393 .43/20	373 .43/20	353 .42/20	331 .42/20	309 .43/19.9	285 .43/19.7	235 .43/19.7	179 .41/19.7	107 .38/19.7	-			DP 4	2270	1/2
408 .48/22	389 .47/22	370 .47/22	349 .47/22	327 .47/21	305 .47/21	257 .47/21	206 .46/21	145 .44/21	-	2350			1/2	6306
423 .53/24	405 .52/24	386 .52/24	366 .52/23	346 .52/23	324 .52/23	279 .52/23	231 .52/23	176 .50/23	102 .46/23	2430			1/2	6521

Performance certified is for installation type B - free inlet, ducted outlet.  
 Power Ratings (BHP) does not include drive losses.  
 Performance ratings do not include the effects of appurtenances in the airstream.

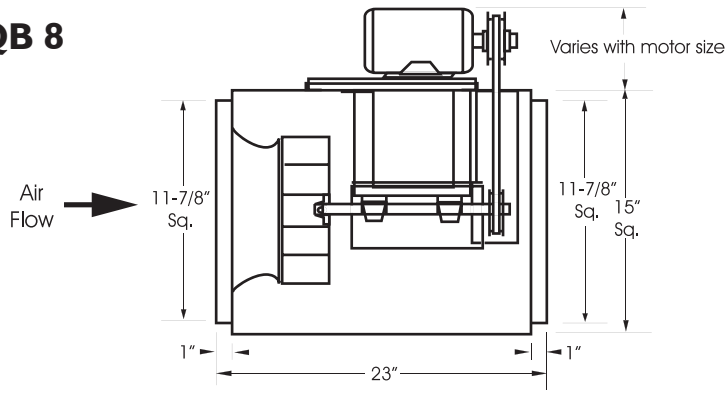
The sound ratings shown are loudness values in fan sones @ 5' (1.5m) in a hemispherical free field calculated per AMCA Standard 301. Values shown are for installation type A - free inlet fan sone levels.



JencoFan, Div. of Soler & Palau Ventilation Group, certifies that the Models SQB & SQD shown herein are licensed to bear the AMCA Seal. The ratings shown are based on test and procedures performed in accordance with AMCA Publication 211 and AMCA Publication 311 and comply with the requirement of the AMCA Certified Ratings Program.



# SQB 8



**Outlet Velocity = CFM x 1.02**  
**Tip Speed = RPM x 2.6835**  
**Maximum Motor Frame Size = 145T**  
**Maximum RPM = 2625**  
**Maximum BHP at a Given RPM = (RPM/2876)<sup>3</sup>**

**Unit Specifications**  
**Housing Metal Thickness = 18 GA.**  
**Approximate Weight = 75 lbs.**

CFM / BHP @ Static Pressure / Sones										Drive Range	RPM	HP	Tip Speed								
1/8	1/4	3/8	1/2	5/8	3/4	1	1-1/4	1-1/2	1-3/4												
453 .05/5.0	347 .05/4.8	-	-	-	-	-	-	-	-	DP5	1050	1/4	2818								
498 .06/5.9	406 .06/5.8	-	-	-	-	-	-	-	-		DP6	1125	1/4	3019							
542 .07/7.0	460 .08/6.8	336 .07/6.8	-	-	-	-	-	-	-			DP7	1200	1/4	3220						
585 .09/8.0	510 .09/7.8	415 .09/7.8	-	-	-	-	-	-	-				DP8	1275	1/4	3421					
627 .10/8.7	558 .11/8.5	477 .11/8.4	331 .10/8.6	-	-	-	-	-	-					DP9	1350	1/4	3623				
669 .12/9.5	604 .12/9.4	532 .13/9.2	434 .13/9.3	-	-	-	-	-	-						DP9	1425	1/4	3824			
711 .14/10.2	650 .14/10.1	584 .15/10.0	503 .15/9.9	346 .14/10.0	-	-	-	-	-							DP9	1500	1/4	4025		
753 .16/11.1	695 .16/10.9	633 .17/10.8	563 .17/10.7	465 .17/10.8	-	-	-	-	-								DP9	1575	1/4	4226	
794 .18/12.0	738 .19/11.9	681 .19/11.7	618 .20/11.6	539 .20/11.7	397 .18/12.0	-	-	-	-									DP9	1650	1/4	4428
835 .21/13.1	782 .21/13.0	728 .22/12.8	669 .22/12.7	602 .23/12.6	509 .22/12.9	-	-	-	-										DP9	1725	1/4
876 .24/14.3	825 .24/14.1	774 .25/13.9	719 .25/13.8	658 .26/13.7	584 .26/13.8	-	-	-	-	DP9										1800	1/4
903 .26/15.0	853 .26/14.9	804 .27/14.7	752 .27/14.6	694 .28/14.4	627 .28/14.4	-	-	-	-		DP9									1850	1/3
930 .28/15.8	882 .28/15.7	833 .29/15.5	783 .30/15.4	729 .30/15.2	667 .30/15.1	445 .28/15.6	-	-	-			DP9								1900	1/3
957 .30/16.6	910 .31/16.5	863 .31/16.3	815 .32/16.2	763 .32/16.1	705 .33/15.9	536 .32/16.3	-	-	-				DP9							1950	1/3
998 .34/17.8	952 .34/17.7	907 .35/17.6	861 .35/17.4	812 .36/17.3	759 .36/17.2	623 .36/17.3	-	-	-					DP9						2025	1/3
1024 .37/18.7	980 .37/18.5	936 .37/18.4	891 .38/18.3	844 .39/18.1	794 .39/18.0	671 .39/18.0	-	-	-						DP9					2075	1/2
1051 .39/19.5	1008 .40/19.4	965 .40/19.3	921 .41/19.1	876 .41/19.1	828 .42/18.9	715 .42/18.8	500 .39/19.2	-	-							DP9				2125	1/2
1078 .42/20	1036 .42/20	993 .43/20	951 .44/19.9	907 .44/19.9	861 .45/19.8	755 .45/19.6	592 .44/20	-	-								DP9			2175	1/2
1132 .48/22	1091 .48/22	1051 .49/22	1010 .50/22	969 .50/22	926 .51/22	831 .52/21	708 .52/22	-	-									DP9		2275	1/2
1158 .51/24	1118 .52/23	1079 .52/23	1039 .53/23	999 .53/23	958 .54/23	868 .55/23	755 .55/23	540 .51/23	-										DP9	2325	1/2
1238 .62/27	1200 .62/27	1163 .63/27	1126 .63/27	1089 .64/27	1051 .65/27	971 .66/26	878 .67/26	758 .66/26	-	DP9										2475	3/4
1318 .74/30	1282 .74/30	1247 .75/30	1212 .75/29	1177 .76/29	1142 .77/29	1068 .78/29	988 .79/29	894 .80/29	766 .79/29		DP9									2625	3/4

Performance certified is for installation type B - free inlet, ducted outlet.  
 Power Ratings (BHP) does not include drive losses.  
 Performance ratings do not include the effects of appurtenances in the airstream.

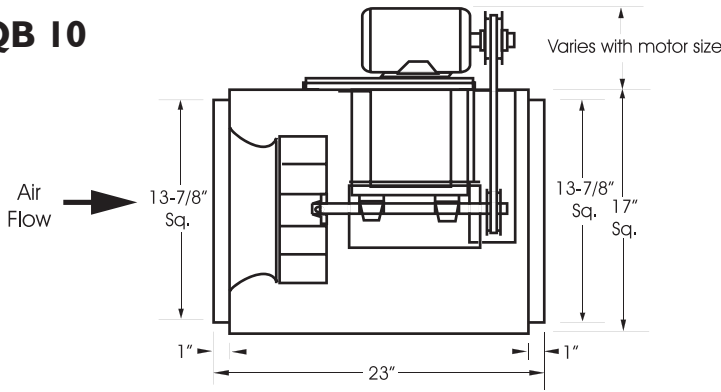
The sound ratings shown are loudness values in fan sones @ 5' (1.5m) in a hemispherical free field calculated per AMCA Standard 301. Values shown are for installation type A - free inlet fan sone levels.



JencoFan, Div. of Soler & Palau Ventilation Group, certifies that the Models SQB & SQD shown herein are licensed to bear the AMCA Seal. The ratings shown are based on test and procedures performed in accordance with AMCA Publication 211 and AMCA Publication 311 and comply with the requirement of the AMCA Certified Ratings Program.



# SQB 10



**Outlet Velocity = CFM x 0.74**  
**Tip Speed = RPM x 3.207**  
**Maximum Motor Frame Size = 145T**  
**Maximum RPM = 2400**  
**Maximum BHP at a Given RPM = (RPM/2376)<sup>3</sup>**

**Unit Specifications**  
**Housing Metal Thickness = 18 GA.**  
**Approximate Weight = 85 lbs.**

CFM / BHP @ Static Pressure / Sones											Drive Range	RPM	HP	Tip Speed												
1/8	1/4	3/8	1/2	5/8	3/4	1	1-1/4	1-1/2	1-3/4	2																
798 .09/5.5	687 .09/5.2	540 .09/5.1	-	-	-	-	-	-	-	-	DP 10	1050	1/4	3367												
846 .10/6.2	741 .10/5.8	614 .10/5.7	-	-	-	-	-	-	-	-		DP 11	1100	1/4	3528											
917 .12/7.2	821 .12/6.8	712 .12/6.6	557 .12/6.6	-	-	-	-	-	-	-			DP 12	1175	1/4	3768										
988 .14/8.3	897 .15/7.9	800 .15/7.5	681 .15/7.5	436 .12/7.5	-	-	-	-	-	-				DP 13	1250	1/4	4009									
1035 .16/8.8	948 .17/8.4	856 .17/8.0	750 .17/8.0	594 .16/8.0	-	-	-	-	-	-					DP 14	1300	1/4	4169								
1081 .18/9.4	997 .18/8.9	911 .19/8.6	814 .19/8.4	688 .18/8.4	-	-	-	-	-	-						DP 15	1350	1/4	4330							
1127 .20/10.0	1046 .21/9.5	964 .21/9.1	874 .21/8.9	765 .21/8.9	593 .19/8.9	-	-	-	-	-							DP 16	1400	1/4	4490						
1173 .22/10.5	1095 .23/10.2	1016 .23/9.7	932 .23/9.4	834 .23/9.4	702 .22/9.4	-	-	-	-	-								DP 17	1450	1/4	4650					
1219 .25/11.1	1143 .25/10.7	1068 .26/10.4	988 .26/10.0	898 .26/9.9	787 .25/9.9	-	-	-	-	-									DP 18	1500	1/4	4811				
1265 .27/11.7	1191 .28/11.3	1118 .28/10.9	1042 .28/10.6	959 .29/10.4	861 .28/10.4	-	-	-	-	-										DP 19	1550	1/3	4971			
1310 .30/12.4	1239 .30/12.0	1169 .31/11.6	1096 .31/11.2	1018 .31/11.0	929 .31/11.0	634 .27/10.9	-	-	-	-											DP 20	1600	1/3	5131		
1356 .33/13.1	1286 .33/12.7	1216 .34/12.3	1148 .34/11.9	1074 .34/11.6	992 .34/11.5	763 .32/11.5	-	-	-	-												DP 21	1650	1/3	5292	
1401 .36/13.9	1334 .36/13.5	1267 .37/13.1	1200 .37/12.7	1130 .38/12.4	1053 .38/12.3	857 .36/12.1	-	-	-	-													DP 22	1700	1/2	5452
1469 .41/14.9	1404 .41/14.6	1340 .42/14.3	1276 .42/13.9	1210 .43/13.6	1140 .43/13.3	973 .42/13.3	654 .36/13.2	-	-	-														DP 23	1775	1/2
1536 .46/16.2	1474 .47/15.8	1413 .47/15.5	1352 .48/15.1	1289 .48/14.8	1224 .48/14.5	1076 .48/14.4	864 .46/14.3	-	-	-	DP 24	1850	1/2	5933												
1581 .50/17.0	1520 .50/16.7	1461 .51/16.3	1401 .51/16.0	1341 .52/15.7	1278 .52/15.3	1139 .53/15.1	957 .51/15.1	-	-	-	DP 25	1900	1/2	6093												
1626 .54/17.9	1566 .54/17.5	1508 .55/17.2	1451 .56/16.9	1392 .56/16.5	1332 .57/16.2	1200 .57/15.9	1037 .56/15.9	741 .49/15.9	-	-	DP 26	1950	3/4	6254												
1693 .60/19.2	1636 .61/18.8	1579 .61/18.5	1524 .62/18.2	1468 .63/17.9	1411 .63/17.6	1288 .64/17.1	1145 .63/17.1	943 .60/17.1	-	-	DP 27	2025	3/4	6494												
1760 .67/21	1704 .68/20	1650 .68/19.9	1597 .69/19.6	1543 .70/19.3	1488 .70/19.0	1373 .71/18.4	1243 .71/18.3	1079 .69/18.2	773 .60/18.3	-	DP 28	2100	3/4	6735												
1827 .75/22	1773 .75/22	1720 .76/21	1669 .76/21	1617 .77/21	1564 .78/20	1456 .79/19.8	1336 .79/19.5	1194 .78/19.5	993 .74/19.4	-	DP 29	2175	3/4	6975												
1894 .83/24	1841 .83/23	1790 .84/23	1740 .84/23	1690 .85/22	1640 .86/22	1536 .87/21	1424 .87/21	1297 .87/21	1135 .85/21	849 .74/21	DP 30	2250	1	7216												
2027 1.00/27	1977 1.01/27	1929 1.01/26	1882 1.02/26	1835 1.03/26	1788 1.03/25	1693 1.05/25	1593 1.06/24	1484 1.06/24	1360 1.06/24	1205 1.03/24		2400	1	7697												

Performance certified is for installation type B - free inlet, ducted outlet.  
 Power Ratings (BHP) does not include drive losses.  
 Performance ratings do not include the effects of appurtenances in the airstream.

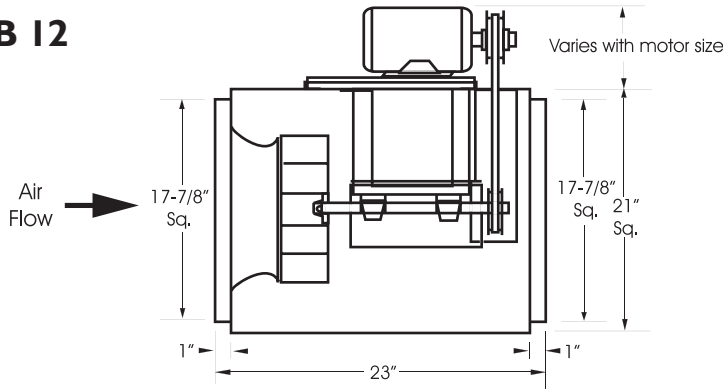
The sound ratings shown are loudness values in fan sones @ 5' (1.5m) in a hemispherical free field calculated per AMCA Standard 301. Values shown are for installation type A - free inlet fan sone levels.



JencoFan, Div. of Soler & Palau Ventilation Group, certifies that the Models SQB & SQD shown herein are licensed to bear the AMCA Seal. The ratings shown are based on test and procedures performed in accordance with AMCA Publication 211 and AMCA Publication 311 and comply with the requirement of the AMCA Certified Ratings Program.



# SQB 12



**Outlet Velocity = CFM x 0.45**  
**Tip Speed = RPM x 3.534**  
**Maximum Motor Frame Size = 145T**  
**Maximum RPM = 2125**  
**Maximum BHP at a Given RPM = (RPM/1821)<sup>3</sup>**

**Unit Specifications**  
**Housing Metal Thickness = 18 GA.**  
**Approximate Weight = 95 lbs.**

CFM / BHP @ Static Pressure / Sones											Drive Range	RPM	HP	Tip Speed			
1/8	1/4	3/8	1/2	5/8	3/4	1	1-1/4	1-1/2	1-3/4	2							
1293 .12/5.9	1098 .12/5.6	769 .11/5.4	-	-	-	-	-	-	-	-	DP 15	DP 16	900	1/4	3181		
1474 .16/7.3	1309 .16/7.0	1102 .16/6.8	-	-	-	-	-	-	-	-			1000	1/4	3534		
1518 .17/7.6	1359 .18/7.4	1165 .18/7.1	806 .15/6.9	-	-	-	-	-	-	-			1025	1/4	3623		
1607 .20/8.4	1458 .20/8.1	1284 .21/7.9	1036 .20/7.7	-	-	-	-	-	-	-			1075	1/4	3799		
1686 .22/9.1	1544 .23/8.9	1384 .23/8.6	1177 .23/8.4	-	-	-	-	-	-	-			1120	1/4	3958		
1773 .25/10.0	1639 .26/9.7	1491 .26/9.4	1312 .26/9.3	1032 .24/9.1	-	-	-	-	-	-			1170	1/4	4135		
1868 .29/11.0	1741 .30/10.8	1604 .30/10.5	1445 .30/10.3	1235 .30/10.1	-	-	-	-	-	-			1225	1/3	4330		
1954 .33/12.0	1833 .33/11.8	1704 .34/11.5	1558 .34/11.3	1380 .34/11.1	1099 .31/10.9	-	-	-	-	-			DP 17	DP 18	1275	1/3	4506
2040 .37/13.1	1924 .37/12.8	1801 .38/12.5	1667 .39/12.3	1509 .38/12.1	1297 .37/11.9	-	-	-	-	-					1325	1/2	4683
2168 .43/14.6	2059 .44/14.3	1945 .45/14.1	1822 .45/13.8	1685 .45/13.7	1520 .45/13.5	-	-	-	-	-					1400	1/2	4948
2296 .51/15.8	2192 .51/15.5	2085 .52/15.3	1973 .53/15.1	1850 .53/14.9	1710 .53/14.7	1282 .48/14.5	-	-	-	-	1475	1/2			5213		
2380 .56/16.6	2280 .57/16.3	2178 .57/16.1	2070 .58/15.9	1955 .59/15.7	1827 .59/15.6	1481 .56/15.3	-	-	-	-	1525	3/4			5390		
2465 .62/17.3	2368 .62/17.1	2269 .63/16.9	2167 .64/16.7	2057 .64/16.5	1938 .65/16.4	1639 .63/16.1	-	-	-	-	1575	3/4			5567		
2549 .68/18.2	2456 .68/18.0	2360 .69/17.8	2262 .70/17.6	2158 .71/17.4	2046 .71/17.2	1778 .70/17.0	1303 .62/16.7	-	-	-	1625	3/4			5743		
2633 .74/19.0	2543 .75/18.8	2450 .76/18.6	2356 .76/18.4	2256 .77/18.2	2151 .78/18.0	1906 .78/17.8	1545 .73/17.6	-	-	-	1675	3/4			5920		
2675 .77/19.4	2586 .78/19.2	2495 .79/19.0	2402 .80/18.6	2305 .80/18.6	2202 .81/18.5	1967 .81/18.5	1638 .78/18.0	-	-	-	1700	1			6008		
2759 .84/21	2672 .85/20	2585 .86/20	2495 .87/19.9	2402 .88/19.6	2304 .88/19.4	2084 .89/19.1	1800 .87/18.9	1111 .66/18.7	-	-	DP 19	DP 20			1750	1	6185
2843 .92/22	2758 .93/21	2673 .93/21	2586 .94/21	2497 .95/21	2403 .96/21	2197 .97/20	1943 .95/19.7	1539 .87/19.5	-	-			1800	1	6362		
2926 1.00/23	2844 1.00/22	2762 1.01/22	2678 1.02/22	2591 1.03/22	2501 1.04/22	2306 1.05/21	2074 1.04/21	1751 .99/20	-	-			1850	1	6538		
3010 1.08/24	2930 1.09/24	2850 1.09/23	2768 1.10/23	2684 1.11/23	2598 1.12/23	2412 1.13/22	2197 1.13/22	1920 1.10/22	1356 .91/21	-			1900	1 1/2	6715		
3176 1.26/26	3101 1.27/26	3024 1.27/26	2947 1.28/26	2869 1.29/25	2788 1.30/25	2618 1.32/25	2428 1.33/24	2203 1.32/24	1897 1.26/24	-			2000	1 1/2	7069		
3384 1.51/29	3313 1.52/29	3241 1.52/29	3169 1.53/29	3096 1.54/29	3022 1.55/28	2866 1.57/28	2699 1.59/28	2510 1.59/27	2286 1.57/27	1979 1.50/26			2125	1 1/2	7510		

Performance certified is for installation type B - free inlet, ducted outlet.  
 Power Ratings (BHP) does not include drive losses.  
 Performance ratings do not include the effects of appurtenances in the airstream.

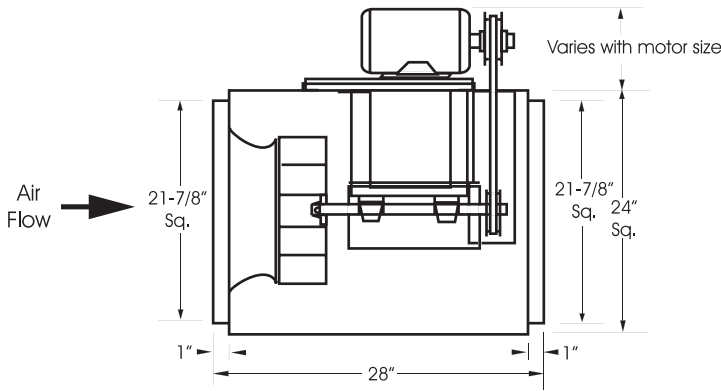
The sound ratings shown are loudness values in fan sones @ 5' (1.5m) in a hemispherical free field calculated per AMCA Standard 301. Values shown are for installation type A - free inlet fan sone levels.



JencoFan, Div. of Soler & Palau Ventilation Group, certifies that the Models SQB & SQD shown herein are licensed to bear the AMCA Seal. The ratings shown are based on test and procedures performed in accordance with AMCA Publication 211 and AMCA Publication 311 and comply with the requirement of the AMCA Certified Ratings Program.



# SQB 15



**Outlet Velocity = CFM x 0.30**  
**Tip Speed = RPM x 4.058**  
**Maximum Motor Frame Size = 184T**  
**Maximum RPM = 1910**  
**Maximum BHP at a Given RPM = (RPM/1492)<sup>3</sup>**

**Unit Specifications**  
**Housing Metal Thickness = 18 GA.**  
**Approximate Weight = 140 lbs.**

CFM / BHP @ Static Pressure / Sones												Drive Range	RPM	HP	Tip Speed	
1/8	1/4	3/8	1/2	5/8	3/4	1	1-1/4	1-1/2	1-3/4	2	2-1/4					
.1611 .13/6.4	.1408 .14/5.8	.1135 .14/5.0	-	-	-	-	-	-	-	-	-	DP 21	770	1/4	3126	
.1753 .16/7.3	.1567 .16/6.8	.1349 .17/6.1	-	-	-	-	-	-	-	-	-		DP 22	825	1/4	3348
.1894 .19/8.3	.1721 .20/7.7	.1531 .20/7.1	.1269 .20/6.3	-	-	-	-	-	-	-	-			DP 23	880	1/4
.2071 .23/9.6	.1911 .24/9.0	.1745 .25/8.4	.1548 .26/7.7	.1227 .24/7.0	-	-	-	-	-	-	-	DP 24	950		1/4	3855
.2172 .26/10.3	.2018 .27/9.7	.1861 .29/9.2	.1684 .29/8.6	.1447 .29/7.8	-	-	-	-	-	-	-		DP 25	990	1/3	4017
.2347 .32/11.7	.2203 .33/11.1	.2058 .35/10.6	.1904 .36/10.2	.1723 .36/9.4	.1464 .35/8.7	-	-	-	-	-	-	DP 26		1060	1/3	4301
.2459 .36/12.6	.2320 .38/12.1	.2182 .39/11.6	.2038 .40/11.1	.1877 .41/10.5	.1674 .40/9.7	-	-	-	-	-	-		DP 27	1105	1/2	4484
.2595 .42/13.7	.2462 .43/13.3	.2331 .45/12.9	.2197 .46/12.4	.2052 .47/12.0	.1884 .47/11.1	-	-	-	-	-	-	DP 27		1160	1/2	4707
.2707 .47/14.9	.2577 .48/14.3	.2452 .50/13.9	.2324 .51/13.5	.2189 .52/13.1	.2038 .53/12.4	.1576 .49/10.8	-	-	-	-	-		DP 27	1205	1/2	4890
.2842 .54/16.0	.2718 .55/15.6	.2597 .56/15.1	.2476 .58/14.6	.2350 .59/14.2	.2214 .60/13.7	.1865 .59/12.2	-	-	-	-	-	DP 27		1260	3/4	5113
.3026 .64/17.7	.2908 .65/17.2	.2794 .66/16.7	.2680 .68/16.3	.2564 .69/15.9	.2442 .71/15.4	.2159 .72/14.1	.1668 .66/12.7	-	-	-	-		DP 27	1335	3/4	5417
.3124 .70/18.5	.3009 .71/18.1	.2897 .72/17.6	.2787 .74/17.2	.2675 .75/16.8	.2559 .77/16.4	.2298 .78/15.1	.1925 .76/13.8	-	-	-	-	DP 27		1375	3/4	5580
.3285 .81/20	.3184 .82/19.6	.3078 .83/19.2	.2973 .85/18.8	.2868 .87/18.4	.2760 .88/18.0	.2526 .90/17.1	.2236 .91/15.6	.1585 .76/14.3	-	-	-		DP 27	1445	1	5864
.3502 .96/22	.3396 .97/22	.3295 .98/21	.3196 1.00/21	.3097 1.02/20	.2996 1.03/19.9	.2786 1.06/19.2	.2545 1.08/18.0	.2225 1.06/16.7	-	-	-	DP 27		1530	1	6209
.3575 1.01/23	.3471 1.03/22	.3371 1.04/22	.3274 1.06/21	.3177 1.08/21	.3079 1.09/21	.2874 1.12/19.9	.2645 1.14/18.8	.2356 1.13/17.5	.1672 .93/16.2	-	-		DP 27	1560	1 1/2	6330
.3732 1.14/24	.3632 1.16/24	.3536 1.17/24	.3442 1.19/23	.3349 1.21/23	.3255 1.23/22	.3063 1.26/21	.2853 1.29/21	.2608 1.29/19.3	.2268 1.25/18.1	-	-	DP 27		1625	1 1/2	6594
.3854 1.25/26	.3756 1.27/25	.3662 1.28/25	.3570 1.30/24	.3480 1.32/24	.3390 1.34/24	.3205 1.37/23	.3007 1.40/22	.2784 1.42/21	.2503 1.40/19.5	.1963 1.24/18.4	-		DP 27	1675	1 1/2	6797
.3999 1.39/27	.3904 1.40/27	.3813 1.42/26	.3724 1.44/26	.3636 1.46/25	.3549 1.48/25	.3372 1.51/24	.3187 1.55/24	.2983 1.57/22	.2742 1.57/21	.2413 1.52/20	-	DP 27		1735	1 1/2	7040
.4023 1.42/27	.3928 1.43/27	.3838 1.44/26	.3749 1.46/26	.3662 1.48/26	.3576 1.50/25	.3400 1.54/25	.3216 1.57/24	.3015 1.60/23	.2780 1.60/22	.2465 1.56/20	-		DP 27	1745	2	7081
.4119 1.52/28	.4027 1.53/28	.3938 1.54/28	.3851 1.56/27	.3766 1.58/27	.3681 1.60/26	.3510 1.64/26	.3333 1.68/25	.3141 1.70/24	.2923 1.71/23	.2651 1.69/22	.2181 1.54/20	DP 27		1785	2	7243
.4252 1.66/30	.4162 1.67/29	.4075 1.69/29	.3991 1.71/29	.3908 1.73/28	.3826 1.75/28	.3660 1.79/27	.3490 1.82/26	.3310 1.86/26	.3110 1.88/24	.2876 1.87/23	.2558 1.81/22		DP 27	1840	2	7467
.4421 1.85/32	.4333 1.87/31	.4249 1.88/31	.4168 1.90/31	.4087 1.92/30	.4008 1.94/30	.3849 1.98/29	.3688 2.03/28	.3518 2.06/27	.3336 2.09/27	.3131 2.10/25	.2884 2.08/24	DP 27		1910	2	7751

Performance certified is for installation type B - free inlet, ducted outlet.  
 Power Ratings (BHP) does not include drive losses.  
 Performance ratings do not include the effects of appurtenances in the airstream.

The sound ratings shown are loudness values in fan sones @ 5' (1.5m) in a hemispherical free field calculated per AMCA Standard 301. Values shown are for installation type A - free inlet fan sone levels.

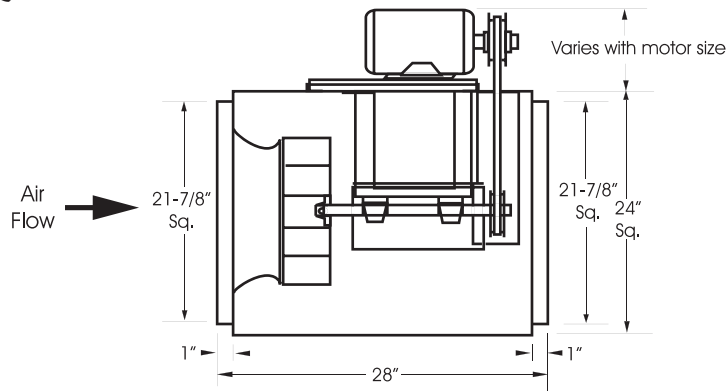


JencoFan, Div. of Soler & Palau Ventilation Group, certifies that the Models SQB & SQD shown herein are licensed to bear the AMCA Seal. The ratings shown are based on test and procedures performed in accordance with AMCA Publication 211 and AMCA Publication 311 and comply with the requirement of the AMCA Certified Ratings Program.





# SQBHP 15



**Outlet Velocity = CFM x 0.30**  
**Tip Speed = RPM x 4.058**  
**Maximum Motor Frame Size = 184T**  
**Maximum RPM = 2130**  
**Maximum BHP at a Given RPM = (RPM/1708)<sup>3</sup>**

### Unit Specifications

**Housing Metal Thickness = 18 GA.**  
**Approximate Weight = 140 lbs.**

CFM / BHP @ Static Pressure / Sones												Drive Range	RPM	HP	Tip Speed
3/4	1	1-1/4	1-1/2	1-3/4	2	2-1/4	2-1/2	2-3/4	3	3-1/4	3-1/2				
1313 .31/12.6	741 .26/11.8	-	-	-	-	-	-	-	-	-	-	DP 28	1140	1/3	4626
1432 .35/13.8	1002 .32/13.1	-	-	-	-	-	-	-	-	-	-				
1850 .51/18.2	1588 .51/17.5	1220 .48/16.8	-	-	-	-	-	-	-	-	-	DP 29	1340	1/2	5438
1910 .53/18.8	1660 .54/18.0	1326 .52/17.4	-	-	-	-	-	-	-	-	-				
1969 .56/19.4	1731 .57/18.6	1422 .55/17.9	847 .46/17.4	-	-	-	-	-	-	-	-	DP 30	1390	3/4	5640
2086 .62/21	1865 .63/19.8	1595 .62/19.1	1200 .58/18.4	-	-	-	-	-	-	-	-				
2200 .69/22	1994 .70/21	1751 .70/20	1431 .67/19.6	-	-	-	-	-	-	-	-	DP 31	1490	3/4	6046
2312 .75/24	2118 .77/23	1896 .77/21	1621 .76/21	1210 .69/20	-	-	-	-	-	-	-				
2421 .83/26	2239 .84/24	2033 .85/23	1788 .84/22	1464 .80/21	-	-	-	-	-	-	-	DP 32	1540	3/4	6249
2530 .90/27	2356 .92/26	2163 .93/25	1941 .93/23	1666 .90/23	1255 .82/22	-	-	-	-	-	-				
2637 .98/29	2471 1.00/28	2290 1.02/27	2085 1.02/25	1842 1.01/24	1521 .95/23	-	-	-	-	-	-	DP 33	1590	1	6452
2690 1.02/30	2528 1.05/29	2352 1.06/28	2154 1.07/26	1924 1.06/25	1630 1.02/24	1155 .89/23	-	-	-	-	-				
2742 1.06/30	2584 1.09/31	2412 1.11/29	2222 1.12/27	2002 1.11/26	1730 1.07/24	1334 .98/24	-	-	-	-	-	DP 33	1640	1	6655
2847 1.15/32	2695 1.18/32	2532 1.20/31	2353 1.21/29	2151 1.21/27	1912 1.19/26	1601 1.13/25	1044 .95/25	-	-	-	-				
2951 1.25/33	2805 1.28/34	2649 1.30/32	2480 1.32/31	2293 1.32/31	2077 1.31/28	1814 1.27/27	1443 1.17/26	-	-	-	-	DP 33	1715	1	6959
3054 1.35/35	2913 1.38/35	2764 1.40/34	2604 1.42/33	2428 1.43/31	2231 1.42/30	1999 1.40/28	1702 1.34/28	1225 1.18/27	-	-	-				
3156 1.45/36	3020 1.48/36	2877 1.51/36	2724 1.53/35	2559 1.54/33	2376 1.54/31	2166 1.53/30	1914 1.49/29	1572 1.39/29	-	-	-	DP 33	1740	1 1/2	7061
3258 1.56/38	3126 1.60/38	2988 1.63/38	2842 1.65/37	2685 1.66/35	2514 1.67/33	2322 1.66/32	2099 1.63/31	1821 1.57/30	1410 1.42/30	-	-				
3359 1.67/39	3231 1.71/39	3098 1.74/40	2958 1.77/39	2809 1.79/37	2647 1.80/35	2469 1.79/34	2267 1.77/33	2028 1.73/32	1716 1.64/32	1179 1.40/31	-	DP 33	1790	1 1/2	7264
3459 1.79/41	3336 1.83/41	3207 1.87/41	3072 1.90/41	2929 1.92/39	2776 1.93/38	2610 1.93/36	2424 1.92/35	2211 1.89/34	1952 1.83/34	1596 1.70/33	-				
3499 1.84/42	3377 1.88/42	3250 1.92/42	3117 1.95/42	2977 1.97/40	2827 1.98/38	2664 1.99/37	2485 1.98/36	2280 1.95/35	2036 1.90/34	1715 1.79/34	1131 1.50/33	DP 33	1840	1 1/2	7467
3539 1.89/43	3418 1.93/42	3293 1.97/43	3162 2.00/43	3024 2.03/41	2877 2.04/39	2718 2.05/38	2544 2.04/37	2347 2.02/36	2115 1.97/35	1821 1.88/34	1361 1.67/34				

Performance certified is for installation type B - free inlet, ducted outlet.  
 Power Ratings (BHP) does not include drive losses.  
 Performance ratings do not include the effects of appurtenances in the airstream.

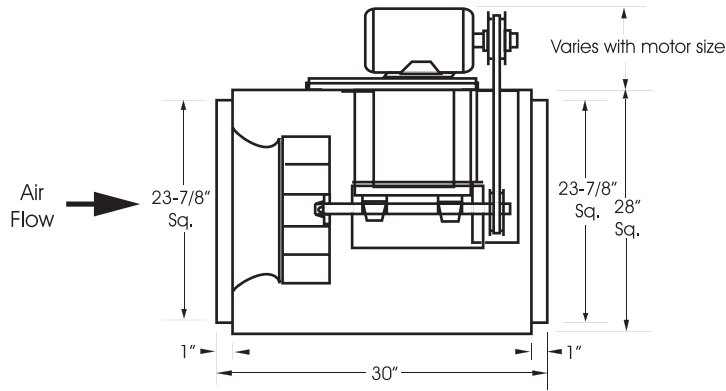
The sound ratings shown are loudness values in fan sones @ 5' (1.5m) in a hemispherical free field calculated per AMCA Standard 301. Values shown are for installation type A - free inlet fan sone levels.



JencoFan, Div. of Soler & Palau Ventilation Group, certifies that the Models SQB & SQD shown herein are licensed to bear the AMCA Seal. The ratings shown are based on test and procedures performed in accordance with AMCA Publication 211 and AMCA Publication 311 and comply with the requirement of the AMCA Certified Ratings Program.



# SQB 18



**Outlet Velocity = CFM x 0.25**  
**Tip Speed = RPM x 4.843**  
**Maximum Motor Frame Size = 184T**  
**Maximum RPM = 1640**  
**Maximum BHP at a Given RPM = (RPM/1122)<sup>3</sup>**

**Unit Specifications**  
**Housing Metal Thickness = 18 GA.**  
**Approximate Weight = 190 lbs.**

CFM / BHP @ Static Pressure / Sones												Drive Range	RPM	HP	Tip Speed		
1/8	1/4	3/8	1/2	5/8	3/4	1	1-1/4	1-1/2	1-3/4	2	2-1/4						
2395 .22/6.7	2155 .23/6.2	1888 .24/6.0	1443 .23/5.9	-	-	-	-	-	-	-	-	DP 34	DP 35	DP 36	700	1/3	3390
2600 .27/7.6	2376 .28/7.2	2141 .30/6.9	1845 .30/6.7	-	-	-	-	-	-	-	-				750	1/3	3632
2803 .32/8.6	2592 .34/8.2	2378 .35/7.8	2135 .36/7.6	1786 .35/7.4	-	-	-	-	-	-	-				800	1/3	3875
3005 .38/9.6	2805 .40/9.2	2607 .42/8.9	2393 .43/8.5	2135 .43/8.3	1662 .39/8.1	-	-	-	-	-	-	DP 37	DP 38	DP 39	850	1/2	4117
3206 .45/10.8	3014 .47/10.3	2829 .49/9.9	2635 .51/9.6	2417 .52/9.3	2137 .51/9.0	-	-	-	-	-	-				900	1/2	4359
3306 .49/11.3	3119 .51/10.9	2938 .53/10.6	2752 .55/10.2	2548 .56/9.8	2301 .56/9.6	-	-	-	-	-	-				925	1/2	4480
3505 .57/12.5	3326 .59/12.1	3154 .61/11.7	2981 .63/11.3	2797 .65/11.0	2589 .66/10.7	1754 .56/10.2	-	-	-	-	-	DP 40	DP 39	DP 37	975	3/4	4722
3704 .66/13.7	3531 .68/13.4	3367 .71/13.0	3204 .73/12.6	3034 .75/12.3	2851 .76/11.9	2364 .75/11.3	-	-	-	-	-				1025	3/4	4964
3803 .71/14.4	3633 .73/14.0	3473 .76/13.6	3314 .78/13.3	3150 .80/12.9	2976 .81/12.5	2541 .81/11.9	-	-	-	-	-				1050	1	5085
4000 .81/15.7	3837 .84/15.3	3682 .86/14.9	3531 .89/14.6	3377 .91/14.2	3217 .93/13.9	2846 .94/13.2	2189 .86/12.5	-	-	-	-	DP 38	DP 39	DP 37	1100	1	5328
4099 .87/16.3	3938 .89/15.9	3787 .92/15.6	3638 .94/15.2	3489 .97/14.9	3334 .99/14.5	2985 1.01/13.8	2469 .97/13.2	-	-	-	-				1125	1	5449
4198 .92/17.0	4039 .95/16.6	3890 .98/16.3	3745 1.00/15.9	3600 1.03/15.6	3450 1.05/15.2	3119 1.07/14.5	2673 1.06/13.9	-	-	-	-				1150	1	5570
4394 1.05/18.5	4241 1.07/18.1	4097 1.10/17.7	3957 1.13/17.4	3818 1.16/17.0	3677 1.18/16.7	3374 1.21/15.9	3006 1.22/15.2	2313 1.10/14.6	-	-	-	DP 39	DP 38	DP 37	1200	1 1/2	5812
4591 1.18/19.7	4442 1.21/19.4	4303 1.24/19.0	4168 1.27/18.7	4034 1.30/18.3	3900 1.32/18.0	3618 1.36/17.3	3295 1.38/16.6	2853 1.35/15.9	-	-	-				1250	1 1/2	6054
4786 1.33/21	4642 1.36/21	4507 1.39/20	4376 1.42/20	4248 1.45/19.7	4120 1.47/19.4	3854 1.52/18.7	3562 1.55/18.0	3202 1.53/17.3	2566 1.42/16.7	-	-				1300	1 1/2	6296
4884 1.40/22	4742 1.43/21	4609 1.46/21	4480 1.50/21	4354 1.52/20	4228 1.55/20	3970 1.60/19.4	3689 1.64/18.7	3356 1.64/18.1	2865 1.57/17.4	-	-	DP 40	DP 38	DP 37	1325	2	6417
5080 1.57/23	4941 1.60/23	4812 1.63/22	4687 1.66/22	4565 1.69/22	4444 1.72/21	4198 1.78/21	3937 1.82/20	3641 1.84/19.5	3265 1.82/18.9	-	-				1375	2	6660
5275 1.74/24	5140 1.77/24	5014 1.81/24	4893 1.84/23	4774 1.87/23	4657 1.90/23	4422 1.96/22	4176 2.01/22	3906 2.04/21	3588 2.04/20	3141 1.97/19.7	-				1425	2	6902
5469 1.93/26	5339 1.96/25	5216 2.00/25	5098 2.03/25	4983 2.06/25	4869 2.10/24	4643 2.16/24	4409 2.21/23	4159 2.25/22	3877 2.27/22	3526 2.25/21	2924 2.07/21	DP 40	DP 38	DP 37	1475	3	7144
5664 2.13/27	5536 2.16/27	5416 2.20/27	5301 2.23/26	5190 2.27/26	5079 2.30/26	4861 2.37/25	4638 2.43/25	4403 2.48/24	4146 2.51/23	3845 2.51/23	3447 2.44/22				1525	3	7386
5955 2.45/29	5833 2.49/29	5717 2.53/29	5606 2.56/28	5498 2.60/28	5393 2.64/28	5184 2.71/27	4974 2.78/27	4757 2.83/26	4526 2.87/26	4271 2.90/25	3972 2.89/24				1600	3	7749
6111 2.64/30	5990 2.68/30	5877 2.72/30	5786 2.75/30	5662 2.79/29	5559 2.83/29	5355 2.90/29	5151 2.97/28	4941 3.03/28	4721 3.08/27	4482 3.11/26	4212 3.12/26	1640	3	7943			

Performance certified is for installation type B - free inlet, ducted outlet.  
 Power Ratings (BHP) does not include drive losses.  
 Performance ratings do not include the effects of appurtenances in the airstream.

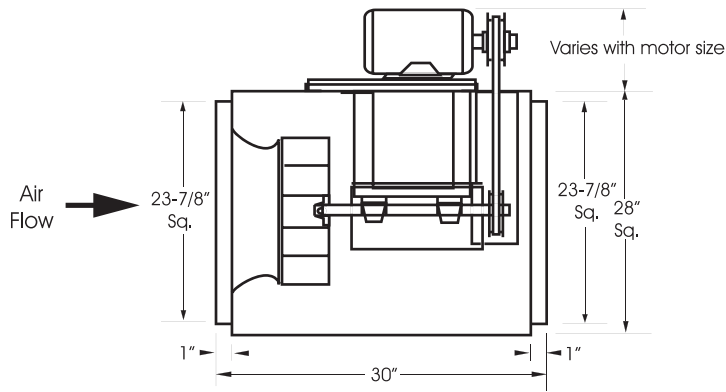
The sound ratings shown are loudness values in fan sones @ 5' (1.5m) in a hemispherical free field calculated per AMCA Standard 301. Values shown are for installation type A - free inlet fan sone levels.



JencoFan, Div. of Soler & Palau Ventilation Group, certifies that the Models SQB & SQD shown herein are licensed to bear the AMCA Seal. The ratings shown are based on test and procedures performed in accordance with AMCA Publication 211 and AMCA Publication 311 and comply with the requirement of the AMCA Certified Ratings Program.



# SQBHP 18



**Outlet Velocity = CFM x 0.25**  
**Tip Speed = RPM x 4.843**  
**Maximum Motor Frame Size = 184T**  
**Maximum RPM = 1800**  
**Maximum BHP at a Given RPM = (RPM/1251)<sup>3</sup>**

### Unit Specifications

**Housing Metal Thickness = 18 GA.**  
**Approximate Weight = 190 lbs.**

CFM / BHP @ Static Pressure / Sones											Drive Range	RPM	HP	Tip Speed
3/4	1	1-1/4	1-1/2	1-3/4	2	2-1/4	2-1/2	2-3/4	3	3-1/4				
2119 .50/9.5	-	-	-	-	-	-	-	-	-	-	DP 41	980	1/2	4746
2209 .53/9.9	1559 .47/9.0	-	-	-	-	-	-	-	-	-				
2318 .57/10.6	1845 .55/9.6	-	-	-	-	-	-	-	-	-	DP 42	1000	1/2	4843
2525 .65/11.9	2165 .66/10.8	-	-	-	-	-	-	-	-	-				
2721 .74/13.3	2416 .76/12.2	1857 .69/11.2	-	-	-	-	-	-	-	-	DP 43	1025	3/4	4964
2817 .78/14.0	2530 .81/12.9	2095 .78/11.9	-	-	-	-	-	-	-	-				
3004 .88/15.5	2746 .91/14.3	2410 .91/13.3	-	-	-	-	-	-	-	-	DP 44	1075	3/4	5207
3187 .98/17.0	2950 1.02/15.8	2664 1.04/14.7	2216 .99/13.8	-	-	-	-	-	-	-				
3277 1.03/17.6	3049 1.08/16.5	2780 1.10/15.4	2403 1.07/14.4	-	-	-	-	-	-	-	DP 45	1125	3/4	5449
3456 1.15/18.8	3242 1.20/17.8	3000 1.23/16.7	2696 1.23/15.7	2105 1.10/14.8	-	-	-	-	-	-				
3632 1.27/20	3429 1.32/19.1	3207 1.36/18.0	2945 1.38/17.1	2581 1.35/16.1	-	-	-	-	-	-	DP 46	1150	1	5570
3806 1.40/21	3613 1.46/20	3407 1.51/19.5	3172 1.53/18.5	2879 1.53/17.6	2374 1.41/16.7	-	-	-	-	-				
3978 1.54/23	3794 1.60/22	3600 1.65/21	3133 1.69/20	2793 1.70/19.1	2793 1.67/18.2	-	-	-	-	-	DP 47	1200	1	5812
4149 1.68/24	3973 1.75/23	3788 1.81/22	3589 1.86/21	3364 1.88/21	3087 1.87/19.7	2661 1.78/18.8	-	-	-	-				
4234 1.76/25	4061 1.83/24	3881 1.89/23	3688 1.94/22	3473 1.97/21	3217 1.98/20	2863 1.92/19.6	-	-	-	-	DP 48	1250	1	6054
4318 1.84/25	4149 1.91/25	3973 1.98/24	3786 2.03/23	3580 2.06/22	3340 2.08/21	3029 2.04/20	-	-	-	-				
4403 1.92/26	4236 2.00/25	4065 2.06/25	3883 2.12/24	3685 2.16/23	3458 2.18/22	3178 2.16/21	2731 2.03/20	-	-	-	DP 49	1275	1	6175
4570 2.09/28	4410 2.17/27	4245 2.24/26	4073 2.30/25	3888 2.35/24	3683 2.38/23	3442 2.38/23	3128 2.33/22	-	-	-				
4738 2.27/29	4582 2.35/28	4424 2.43/28	4259 2.50/27	4085 2.55/26	3896 2.59/25	3682 2.61/24	3424 2.59/23	3062 2.50/23	-	-	DP 50	1325	1 1/2	6417
4904 2.46/30	4753 2.55/30	4600 2.63/29	4443 2.70/28	4278 2.76/28	4100 2.81/27	3906 2.84/26	3682 2.85/25	3403 2.81/24	2963 2.64/24	-				
4987 2.56/31	4838 2.65/30	4688 2.73/30	4534 2.81/29	4372 2.87/28	4201 2.92/28	4013 2.96/27	3802 2.97/26	3547 2.95/25	3194 2.84/24	-	DP 51	1375	1 1/2	6660
5069 2.66/32	4923 2.75/31	4775 2.84/31	4624 2.91/30	4466 2.98/29	4299 3.04/28	4119 3.08/27	3918 3.10/27	3682 3.09/26	3377 3.02/25	2739 2.68/24				
											DP 52	1425	1 1/2	6902
											DP 53	1475	2	7144
											DP 54	1525	2	7386
											DP 55	1550	2	7507
											DP 56	1575	2	7628
											DP 57	1600	3	7749
											DP 58	1650	3	7991
											DP 59	1700	3	8234
											DP 60	1750	3	8476
											DP 61	1775	3	8597
											DP 62	1800	3	8718

Performance certified is for installation type B - free inlet, ducted outlet.  
 Power Ratings (BHP) does not include drive losses.  
 Performance ratings do not include the effects of appurtenances in the airstream.

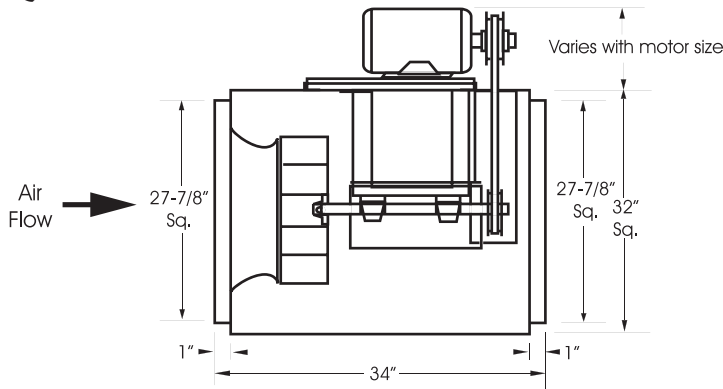
The sound ratings shown are loudness values in fan sones @ 5' (1.5m) in a hemispherical free field calculated per AMCA Standard 301. Values shown are for installation type A - free inlet fan sone levels.



JencoFan, Div. of Soler & Palau Ventilation Group, certifies that the Models SQB & SQD shown herein are licensed to bear the AMCA Seal. The ratings shown are based on test and procedures performed in accordance with AMCA Publication 211 and AMCA Publication 311 and comply with the requirement of the AMCA Certified Ratings Program.



# SQB 20



**Outlet Velocity = CFM x 0.18**  
**Tip Speed = RPM x 5.629**  
**Maximum Motor Frame Size = 184T**  
**Maximum RPM = 1275**  
**Maximum BHP at a Given RPM = (RPM/870)<sup>3</sup>**

**Unit Specifications**  
**Housing Metal Thickness = 18 GA.**  
**Approximate Weight = 220 lbs.**

CFM / BHP @ Static Pressure / Sones												Drive Range	RPM	HP	Tip Speed	
1/8	1/4	3/8	1/2	5/8	3/4	1	1-1/4	1-1/2	1-3/4	2	2-1/4					
3297 .27/7.1	2923 .29/6.9	2428 .29/5.5	-	-	-	-	-	-	-	-	-	DP 47	DP 48	575	1/3	3236
3470 .30/7.7	3118 .32/7.7	2683 .33/6.3	-	-	-	-	-	-	-	-	-			600	1/3	3377
3539 .32/8.0	3195 .34/8.0	2778 .35/6.7	2028 .31/5.6	-	-	-	-	-	-	-	-	DP 49	DP 50	610	1/3	3433
3813 .38/8.9	3496 .40/8.9	3134 .42/8.1	2646 .41/6.7	-	-	-	-	-	-	-	-			650	1/2	3659
3982 .43/9.4	3681 .45/9.4	3344 .47/8.8	2920 .47/7.5	2054 .39/6.6	-	-	-	-	-	-	-	DP 51	DP 50	675	1/2	3799
4151 .47/10.0	3862 .50/9.9	3546 .52/9.6	3167 .52/8.3	2603 .50/7.3	-	-	-	-	-	-	-			700	1/2	3940
4486 .58/11.2	4220 .60/11.0	3935 .63/10.8	3615 .64/9.9	3217 .64/8.8	2551 .58/8.0	-	-	-	-	-	-	DP 52	DP 50	750	3/4	4222
4653 .63/11.9	4396 .66/11.5	4125 .69/11.4	3824 .71/10.7	3468 .71/9.6	2971 .68/8.8	-	-	-	-	-	-			775	3/4	4362
4819 .69/12.6	4571 .73/12.3	4311 .75/12.0	4028 .77/11.6	3702 .78/10.5	3286 .77/9.6	-	-	-	-	-	-	DP 53	DP 50	800	3/4	4503
5051 .79/13.6	4814 .82/13.4	4568 .85/13.1	4305 .87/12.9	4011 .89/11.9	3661 .89/10.9	-	-	-	-	-	-			835	1	4700
5216 .86/14.4	4987 .89/14.2	4750 .92/13.9	4498 .95/13.7	4222 .97/12.9	3904 .97/11.9	2801 .85/10.2	-	-	-	-	-	DP 51	DP 51	860	1	4841
5380 .93/15.2	5158 .97/15.0	4929 1.00/14.7	4688 1.03/14.5	4427 1.05/14.0	4134 1.06/12.9	3286 1.00/11.1	-	-	-	-	-			885	1	4981
5431 1.06/16.5	5214 1.10/16.3	4987 1.13/16.1	4746 1.16/16.0	4482 1.19/15.8	4134 1.20/14.7	3809 1.19/12.7	-	-	-	-	-	DP 52	DP 52	925	1 1/2	5207
5970 1.24/18.2	5769 1.28/18.0	5565 1.32/17.9	5354 1.35/17.7	5132 1.38/17.6	4895 1.40/17.0	4335 1.41/14.9	3429 1.30/13.1	-	-	-	-			975	1 1/2	5488
6199 1.37/19.4	6005 1.41/19.2	5809 1.45/19.1	5607 1.49/19.0	5396 1.52/18.9	5173 1.55/18.7	4665 1.57/16.6	3963 1.52/14.6	-	-	-	-	DP 53	DP 53	1010	1 1/2	5685
6296 1.43/20	6106 1.48/19.8	5912 1.52/19.7	5714 1.55/19.5	5508 1.59/19.4	5291 1.61/19.4	4801 1.64/17.3	4150 1.61/15.3	-	-	-	-			1025	2	5769
6622 1.65/22	6440 1.69/22	6256 1.74/22	6069 1.78/22	5876 1.81/21	5675 1.84/21	5233 1.89/19.8	4697 1.89/17.7	3880 1.77/15.9	-	-	-	DP 51	DP 53	1075	2	6051
6849 1.81/23	6673 1.86/23	6496 1.90/23	6315 1.95/23	6130 1.98/23	5938 2.02/23	5523 2.07/22	5038 2.09/19.5	4388 2.03/17.6	-	-	-			1110	2	6248
7108 2.01/25	6938 2.06/25	6768 2.11/25	6594 2.15/25	6417 2.19/24	6235 2.23/24	5845 2.29/24	5403 2.32/22	4856 2.30/19.6	3987 2.12/17.8	-	-	DP 52	DP 53	1150	3	6473
7431 2.28/27	7269 2.33/27	7106 2.38/27	6940 2.43/27	6772 2.47/27	6600 2.51/27	6237 2.58/27	5835 2.63/25	5366 2.63/22	4753 2.56/20	-	-			1200	3	6754
7754 2.57/29	7598 2.63/29	7442 2.68/29	7284 2.73/29	7124 2.78/29	6960 2.82/29	6618 2.90/29	6248 2.95/28	5831 2.98/25	5329 2.96/23	4622 2.81/21	-	DP 51	DP 53	1250	3	7036
7916 2.73/30	7763 2.78/30	7609 2.84/30	7455 2.89/30	7298 2.94/30	7138 2.98/30	6806 3.06/30	6450 3.12/29	6053 3.16/27	5588 3.15/24	4979 3.06/22	3527 2.48/21			1275	3	7177

Performance certified is for installation type B - free inlet, ducted outlet.  
 Power Ratings (BHP) does not include drive losses.  
 Performance ratings do not include the effects of appurtenances in the airstream.

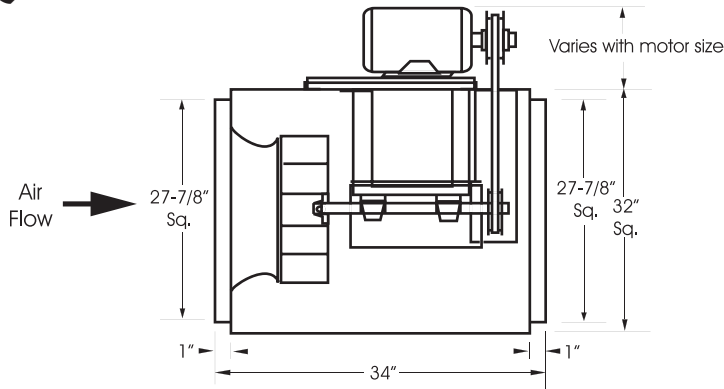
The sound ratings shown are loudness values in fan sones @ 5' (1.5m) in a hemispherical free field calculated per AMCA Standard 301. Values shown are for installation type A - free inlet fan sone levels.



JencoFan, Div. of Soler & Palau Ventilation Group, certifies that the Models SQB & SQD shown herein are licensed to bear the AMCA Seal. The ratings shown are based on test and procedures performed in accordance with AMCA Publication 211 and AMCA Publication 311 and comply with the requirement of the AMCA Certified Ratings Program.



# SQBHP 20



**Outlet Velocity = CFM x 0.18**  
**Tip Speed = RPM x 5.629**  
**Maximum Motor Frame Size = 184T**  
**Maximum RPM = 1440**  
**Maximum BHP at a Given RPM = (RPM/988)<sup>3</sup>**

### Unit Specifications

**Housing Metal Thickness = 18 GA.**  
**Approximate Weight = 220 lbs.**

CFM / BHP @ Static Pressure / Sones									Drive Range	RPM	HP	Tip Speed	
3/4	1	1-1/4	1-1/2	1-3/4	2	2-1/4	2-1/2	2-3/4					
2876 .65/10.1	1908 .56/9.1	-	-	-	-	-	-	-	DP 54	850	3/4	4784	
3051 .70/10.9	2380 .67/9.7	-	-	-	-	-	-	-		DP 55	875	3/4	4925
3218 .76/11.8	2656 .75/10.4	-	-	-	-	-	-	-			DP 56	900	3/4
3536 .89/13.9	3086 .90/11.9	2120 .78/10.9	-	-	-	-	-	-	DP 57	950		1	5347
3839 1.02/15.6	3452 1.05/13.7	2907 1.03/12.4	-	-	-	-	-	-		DP 57		1000	1
3986 1.09/16.4	3622 1.13/14.8	3144 1.12/13.2	-	-	-	-	-	-	DP 57			1025	1 1/2
4275 1.25/18.1	3946 1.29/17.2	3549 1.31/14.9	2957 1.26/13.7	-	-	-	-	-		DP 57		1075	1 1/2
4416 1.33/19.0	4102 1.38/18.2	3732 1.40/16.0	3230 1.38/14.6	-	-	-	-	-	DP 57			1100	1 1/2
4557 1.41/19.9	4254 1.47/19.2	3907 1.50/17.2	3463 1.49/15.4	2546 1.31/14.5	-	-	-	-		DP 57		1125	1 1/2
4668 1.48/21	4375 1.54/19.9	4043 1.58/18.1	3632 1.58/16.1	2974 1.48/15.1	-	-	-	-	DP 57			1145	1 1/2
4696 1.50/21	4405 1.56/20	4076 1.60/18.4	3673 1.60/16.3	3048 1.52/15.3	-	-	-	-		DP 57		1150	2
4834 1.59/22	4553 1.65/21	4240 1.70/19.7	3868 1.71/17.5	3353 1.66/16.1	-	-	-	-	DP 58			1175	2
4971 1.68/23	4699 1.75/22	4400 1.80/21	4053 1.82/18.7	3603 1.80/17.0	2601 1.55/16.2	-	-	-		DP 58	1200	2	6754
5107 1.78/24	4843 1.85/23	4556 1.90/22	4229 1.93/19.9	3826 1.93/18.0	3194 1.82/17.0	-	-	-			DP 58	1225	2
5242 1.88/25	4986 1.96/24	4709 2.01/23	4400 2.05/21	4030 2.06/19.1	3517 1.99/17.9	-	-	-		DP 58		1250	2
5510 2.09/26	5267 2.18/25	5009 2.24/25	4727 2.29/24	4405 2.32/21	4007 2.30/19.6	3398 2.18/18.8	-	-			DP 58	1300	3
5643 2.20/27	5406 2.29/26	5156 2.36/26	4885 2.42/25	4581 2.45/23	4218 2.44/21	3721 2.37/19.6	-	-		DP 58		1325	3
5775 2.32/27	5544 2.41/27	5302 2.49/26	5041 2.55/26	4751 2.58/24	4415 2.59/22	3984 2.55/20	3203 2.32/19.6	-			DP 58	1350	3
5907 2.44/28	5681 2.53/28	5445 2.61/27	5193 2.68/27	4917 2.72/25	4602 2.74/23	4216 2.72/21	3650 2.59/20	-		DP 58		1375	3
6039 2.56/29	5818 2.66/29	5588 2.75/28	5344 2.81/27	5079 2.86/26	4782 2.89/24	4430 2.88/22	3959 2.80/21	-			DP 58	1400	3
6170 2.69/29	5953 2.79/29	5729 2.88/29	5493 2.95/28	5238 3.01/27	4956 3.04/25	4629 3.05/23	4219 3.00/22	3554 2.80/21		DP 58		1425	3
6248 2.77/30	6035 2.88/30	5814 2.96/29	5581 3.04/29	5332 3.10/28	5058 3.14/26	4744 3.15/24	4360 3.11/23	3798 2.97/22	DP 58			1440	3

Performance certified is for installation type B - free inlet, ducted outlet.  
 Power Ratings (BHP) does not include drive losses.  
 Performance ratings do not include the effects of appurtenances in the airstream.

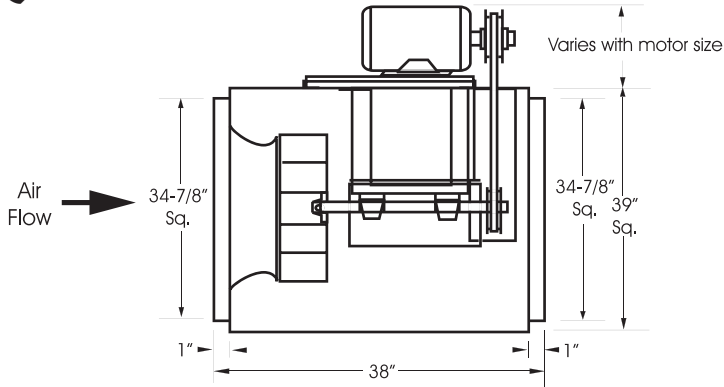
The sound ratings shown are loudness values in fan sones @ 5' (1.5m) in a hemispherical free field calculated per AMCA Standard 301. Values shown are for installation type A - free inlet fan sone levels.



JencoFan, Div. of Soler & Palau Ventilation Group, certifies that the Models SQB & SQD shown herein are licensed to bear the AMCA Seal. The ratings shown are based on test and procedures performed in accordance with AMCA Publication 211 and AMCA Publication 311 and comply with the requirement of the AMCA Certified Ratings Program.



# SQB 24



**Outlet Velocity = CFM x 0.11**  
**Tip Speed = RPM x 6.48**  
**Maximum Motor Frame Size = 215T**  
**Maximum RPM = 1235**  
**Maximum BHP at a Given RPM = (RPM/711)<sup>3</sup>**

**Unit Specifications**  
**Housing Metal Thickness = 18 GA.**  
**Approximate Weight = 320 lbs.**

CFM / BHP @ Static Pressure / Sones												Drive Range	RPM	HP	Tip Speed		
1/8	1/4	3/8	1/2	5/8	3/4	1	1-1/4	1-1/2	1-3/4	2	2-1/4						
4426 .39/8.0	3956 .41/7.5	3416 .42/6.4	2395 .36/5.5	-	-	-	-	-	-	-	-	-	DP 59	DP 60	530	1/2	3434
4828 .47/9.1	4394 .50/8.7	3928 .52/7.7	3325 .51/6.8	-	-	-	-	-	-	-	-	-			570	1/2	3693
4928 .50/9.3	4502 .53/9.0	4049 .54/8.0	3485 .54/7.1	-	-	-	-	-	-	-	-	-	DP 61	DP 61	580	1/2	3758
5127 .55/9.8	4715 .58/9.6	4286 .60/8.7	3779 .60/7.8	2949 .55/6.9	-	-	-	-	-	-	-	-			600	3/4	3888
5720 .72/11.6	5343 .76/11.4	4966 .79/11.0	4558 .80/9.9	4070 .80/9.0	3307 .74/8.2	-	-	-	-	-	-	-	DP 62	DP 62	660	3/4	4276
5867 .77/12.1	5498 .81/11.8	5131 .84/11.5	4738 .86/10.5	4284 .86/9.6	3653 .83/8.8	-	-	-	-	-	-	-			675	1	4374
6356 .95/13.8	6010 .99/13.6	5670 1.02/13.4	5319 1.05/12.6	4937 1.07/11.6	4488 1.06/10.8	-	-	-	-	-	-	-	DP 63	DP 62	725	1	4698
6843 1.15/15.7	6515 1.20/15.4	6198 1.24/15.2	5876 1.27/14.9	5538 1.29/13.9	5166 1.30/13.0	4126 1.24/11.3	-	-	-	-	-	-			775	1 1/2	5022
7278 1.36/17.5	6966 1.41/17.3	6665 1.45/17.0	6364 1.49/16.8	6053 1.52/16.0	5723 1.54/15.1	4925 1.53/13.3	-	-	-	-	-	-	DP 64	DP 63	820	1 1/2	5313
7375 1.41/17.9	7066 1.46/17.7	6768 1.50/17.4	6471 1.54/17.2	6165 1.57/16.5	5843 1.59/15.5	5076 1.59/13.8	-	-	-	-	-	-			830	1 1/2	5378
7519 1.48/18.5	7215 1.53/18.3	6922 1.58/18.1	6631 1.62/17.9	6333 1.65/17.3	6020 1.68/16.3	5295 1.68/14.5	4060 1.53/12.9	-	-	-	-	-	DP 65	DP 64	845	2	5475
8049 1.78/21	7760 1.84/21	7483 1.89/20	7210 1.94/20	6934 1.97/20	6650 2.01/19.1	6030 2.04/17.3	5237 2.00/15.5	-	-	-	-	-			900	2	5832
8145 1.84/21	7859 1.90/21	7584 1.95/21	7314 2.00/21	7042 2.04/20	6763 2.07/19.6	6156 2.11/17.8	5400 2.08/16.1	-	-	-	-	-	DP 65	DP 64	910	2	5896
8384 2.00/22	8105 2.05/22	7837 2.11/22	7574 2.16/22	7310 2.20/22	7040 2.23/21	6465 2.28/19.1	5779 2.28/17.4	4720 2.13/15.8	-	-	-	-			935	3	6058
9102 2.50/26	8840 2.57/26	8589 2.63/25	8344 2.68/25	8100 2.73/25	7855 2.78/25	7348 2.85/23	6790 2.88/21	6119 2.86/19.7	5100 2.68/18.2	-	-	-	DP 65	DP 65	1010	3	6544
9340 2.69/27	9084 2.76/27	8838 2.82/27	8598 2.88/26	8360 2.93/26	8122 2.98/26	7632 3.05/25	7101 3.10/23	6486 3.09/21	5659 2.99/19.5	-	-	-			1035	3	6706
9436 2.77/28	9181 2.84/27	8937 2.90/27	8699 2.96/27	8464 3.01/27	8228 3.06/26	7744 3.14/25	7224 3.19/23	6626 3.19/22	5849 3.10/20	-	-	-	DP 65	DP 65	1045	5	6771
9769 3.05/29	9521 3.12/29	9284 3.19/29	9053 3.25/28	8825 3.31/28	8597 3.36/28	8133 3.44/27	7643 3.50/25	7098 3.53/24	6441 3.49/22	5459 3.28/20	-	-			1080	5	6998
10149 3.40/31	9909 3.47/31	9679 3.54/30	9455 3.60/30	9234 3.66/30	9015 3.72/29	8571 3.82/29	8109 3.89/27	7608 3.93/25	7035 3.92/24	6305 3.82/22	4831 3.33/21	-	DP 65	DP 65	1120	5	7257
10814 4.06/34	10586 4.14/33	10367 4.22/33	10154 4.29/33	9945 4.36/33	9738 4.42/32	9324 4.53/32	8900 4.62/31	8454 4.68/29	7970 4.72/27	7416 4.70/26	6425 4.59/24	-			1190	5	7711
11145 4.43/35	10923 4.51/35	10710 4.59/35	10502 4.66/34	10298 4.73/34	10096 4.80/34	9695 4.91/33	9286 5.01/33	8861 5.09/31	8407 5.14/29	7903 5.14/28	7309 5.09/26	-	DP 65	DP 65	1225	5	7937
11240 4.54/36	11019 4.62/35	10807 4.70/35	10601 4.77/35	10399 4.84/35	10198 4.91/34	9800 5.03/34	9396 5.13/33	8976 5.21/31	8529 5.26/30	8037 5.27/28	7464 5.23/27	-			1235	5	8002

Performance certified is for installation type B - free inlet, ducted outlet.  
 Power Ratings (BHP) does not include drive losses.  
 Performance ratings do not include the effects of appurtenances in the airstream.

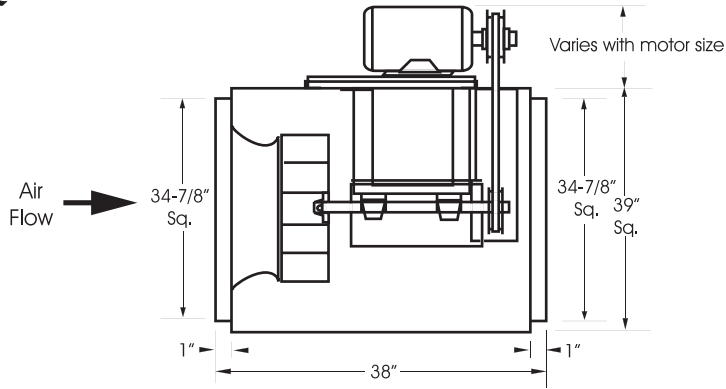
The sound ratings shown are loudness values in fan sones @ 5' (1.5m) in a hemispherical free field calculated per AMCA Standard 301. Values shown are for installation type A - free inlet fan sone levels.



JencoFan, Div. of Soler & Palau Ventilation Group, certifies that the Models SQB & SQD shown herein are licensed to bear the AMCA Seal. The ratings shown are based on test and procedures performed in accordance with AMCA Publication 211 and AMCA Publication 311 and comply with the requirement of the AMCA Certified Ratings Program.



# SQBHP 24



**Outlet Velocity = CFM x 0.11**  
**Tip Speed = RPM x 6.48**  
**Maximum Motor Frame Size = 215T**  
**Maximum RPM = 1515**  
**Maximum BHP at a Given RPM = (RPM/774)<sup>3</sup>**

**Unit Specifications**  
**Housing Metal Thickness = 18 GA.**  
**Approximate Weight = 320 lbs.**

CFM / BHP @ Static Pressure / Sones												Drive Range	RPM	HP	Tip Speed				
3/4	1	1-1/4	1-1/2	1-3/4	2	2-1/4	2-1/2	2-3/4	3	3-1/4	3-1/2								
4251 .99/12.0	3195 .91/10.4	-	-	-	-	-	-	-	-	-	-	DP 66	DP 67	DP 68	765	1	4957		
4474 1.07/12.8	3589 1.03/11.7	-	-	-	-	-	-	-	-	-	-				815	1 1/2	5281		
4794 1.19/14.0	4054 1.18/12.8	-	-	-	-	-	-	-	-	-	-				860	1 1/2	5572		
5251 1.38/15.8	4635 1.40/14.7	3676 1.31/13.2	-	-	-	-	-	-	-	-	-				900	1 1/2	5832		
5641 1.56/17.5	5095 1.61/16.4	4370 1.58/15.3	-	-	-	-	-	-	-	-	-				DP 69	935	2	6058	
5973 1.74/19.1	5472 1.79/18.0	4853 1.80/16.8	3868 1.66/15.1	-	-	-	-	-	-	-	-					955	2	6188	
6159 1.84/20	5680 1.90/18.9	5103 1.92/17.8	4281 1.84/16.7	-	-	-	-	-	-	-	-					990	2	6415	
6481 2.03/22	6034 2.10/20	5515 2.14/19.4	4848 2.11/18.4	3558 1.81/15.6	-	-	-	-	-	-	-					1035	3	6706	
6887 2.29/24	6473 2.38/23	6008 2.44/21	5453 2.44/20	4687 2.35/19.5	-	-	-	-	-	-	-					1085	3	7030	
7331 2.61/26	6947 2.71/25	6527 2.78/24	6047 2.82/23	5458 2.79/22	4589 2.62/20	-	-	-	-	-	-					1130	3	7322	
7725 2.92/27	7364 3.03/27	6974 3.11/25	6542 3.17/24	6039 3.18/23	5400 3.11/23	4319 2.80/20	-	-	-	-	-					DP 70	1160	5	7516
7985 3.14/28	7637 3.25/28	7265 3.35/27	6857 3.42/26	6395 3.45/25	5836 3.41/24	5059 3.25/23	-	-	-	-	-						1200	5	7775
8330 3.45/30	7997 3.57/30	7645 3.68/28	7265 3.76/27	6844 3.81/26	6357 3.81/25	5750 3.73/25	4815 3.45/22	-	-	-	-	1240	5	8035					
8671 3.77/31	8352 3.91/31	8018 4.02/30	7660 4.11/29	7272 4.18/28	6835 4.21/27	6321 4.18/26	5654 4.05/25	4413 3.54/22	-	-	-	1275	5	8261					
8968 4.08/33	8660 4.22/33	8339 4.34/32	7999 4.44/31	7633 4.52/30	7230 4.57/29	6770 4.57/28	6213 4.50/27	5440 4.27/26	-	-	-	DP 71	1300	5			8423		
9179 4.30/34	8878 4.45/34	8566 4.58/33	8237 4.69/32	7885 4.77/31	7502 4.83/30	7072 4.85/29	6567 4.81/28	5921 4.66/27	4817 4.19/25	-	-		1330	5			8618		
9431 4.59/35	9139 4.74/35	8836 4.87/34	8519 4.99/33	8183 5.09/32	7820 5.16/31	7419 5.19/31	6962 5.18/30	6408 5.09/29	5645 4.84/27	-	-		1385	7 1/2	8974				
9891 5.14/37	9613 5.30/37	9326 5.44/37	9028 5.58/36	8715 5.69/35	8382 5.78/34	8023 5.84/33	7626 5.86/32	7174 5.84/32	6630 5.74/31	5891 5.47/29	-		1425	7 1/2	9233				
10223 5.56/39	9954 5.73/39	9678 5.89/39	9392 6.03/38	9094 6.15/37	8779 6.25/36	8443 6.33/35	8078 6.38/34	7673 6.38/34	7207 6.34/33	6637 6.19/32	5829 5.84/30		1460	7 1/2	9460				
10513 5.96/41	10251 6.13/41	9984 6.29/41	9707 6.44/40	9420 6.57/39	9119 6.68/38	8800 6.77/37	8458 6.84/36	8084 6.87/36	7665 6.85/35	7176 6.77/34	6562 6.57/33		1490	7 1/2	9564				
10760 6.31/42	10505 6.49/42	10244 6.66/42	9975 6.81/42	9697 6.95/41	9406 7.07/40	9100 7.17/39	8774 7.25/38	8422 7.29/37	8034 7.30/36	7593 7.25/36	7068 7.12/35		1515	7 1/2	9816				
10996 6.61/43	10716 6.80/43	10460 6.97/43	10197 7.13/43	9925 7.27/42	9642 7.40/41	9346 7.51/40	9032 7.59/40	8696 7.65/39	8329 7.68/38	7919 7.65/37	7445 7.56/36								

Performance certified is for installation type B - free inlet, ducted outlet.  
 Power Ratings (BHP) does not include drive losses.  
 Performance ratings do not include the effects of appurtenances in the airstream.

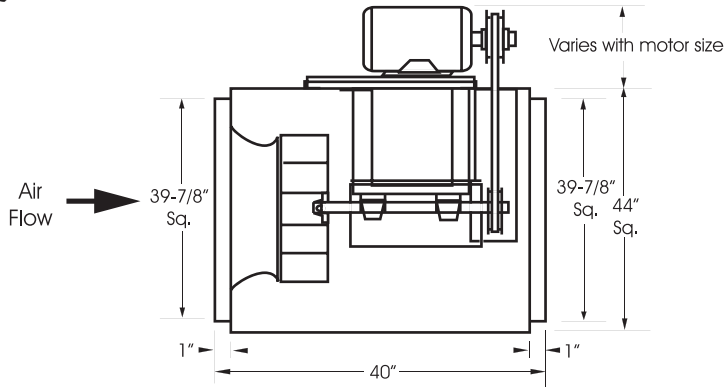
The sound ratings shown are loudness values in fan sones @ 5' (1.5m) in a hemispherical free field calculated per AMCA Standard 301. Values shown are for installation type A - free inlet fan sone levels.



JencoFan, Div. of Soler & Palau Ventilation Group, certifies that the Models SQB & SQD shown herein are licensed to bear the AMCA Seal. The ratings shown are based on test and procedures performed in accordance with AMCA Publication 211 and AMCA Publication 311 and comply with the requirement of the AMCA Certified Ratings Program.



# SQB 30



**Outlet Velocity = CFM x 0.09**  
**Tip Speed = RPM x 8.017**  
**Maximum Motor Frame Size = 215T**  
**Maximum RPM = 1000**  
**Maximum BHP at a Given RPM = (RPM/510)<sup>3</sup>**

**Unit Specifications**  
**Housing Metal Thickness = 18 GA.**  
**Approximate Weight = 420 lbs.**

CFM / BHP @ Static Pressure / Sones												Drive Range	RPM	HP	Tip Speed
1/8	1/4	3/8	1/2	5/8	3/4	1	1-1/4	1-1/2	1-3/4	2	2-1/4				
5919 .53/7.6	5239 .57/7.1	4395 .58/6.4	-	-	-	-	-	-	-	-	-	DP 72	425	3/4	3407
6341 .63/8.5	5711 .67/8.0	4978 .69/7.3	3879 .65/6.5	-	-	-	-	-	-	-	-				
6675 .71/9.3	6079 .75/8.8	5408 .78/8.1	4526 .77/7.3	-	-	-	-	-	-	-	-	DP 73	470	3/4	3768
7174 .85/10.6	6619 .90/10.0	6017 .93/9.5	5300 .94/8.6	4214 .89/7.8	-	-	-	-	-	-	-				
7503 .95/11.6	6972 1.00/10.9	6406 1.04/10.4	5757 1.06/9.6	4900 1.04/8.7	-	-	-	-	-	-	-	DP 74	500	1	4009
7995 1.12/13.0	7496 1.17/12.4	6973 1.22/11.9	6397 1.25/11.2	5707 1.25/10.2	4707 1.19/9.4	-	-	-	-	-	-				
8403 1.28/14.3	7926 1.33/13.7	7433 1.38/13.2	6901 1.42/12.6	6294 1.43/11.7	5525 1.41/10.7	-	-	-	-	-	-	DP 75	550	1 1/2	4410
8646 1.37/15.1	8182 1.43/14.5	7705 1.48/14.0	7196 1.52/13.4	6625 1.55/12.5	5935 1.54/11.6	-	-	-	-	-	-				
9212 1.63/16.8	8775 1.69/16.3	8330 1.75/15.8	7863 1.79/15.3	7358 1.83/14.7	6784 1.84/13.7	5002 1.69/11.8	-	-	-	-	-	DP 76	625	2	5011
9615 1.82/17.9	9195 1.89/17.4	8770 1.95/16.9	8328 2.00/16.4	7857 2.04/15.9	7337 2.07/15.0	5958 2.01/13.2	-	-	-	-	-				
10417 2.27/20	10027 2.34/19.5	9635 2.40/19.0	9233 2.47/18.6	8815 2.52/18.2	8369 2.56/17.8	7324 2.58/16.0	5651 2.38/14.4	-	-	-	-	DP 77	700	3	5612
10817 2.51/21	10440 2.59/21	10062 2.66/20	9677 2.72/19.7	9279 2.78/19.3	8860 2.83/18.9	7909 2.88/17.4	6605 2.78/15.9	-	-	-	-				
11215 2.78/22	10851 2.85/22	10487 2.93/21	10116 3.00/21	9736 3.06/20	9339 3.11/20	8461 3.18/18.9	7349 3.15/17.4	5116 2.65/16.0	-	-	-	DP 78	725	3	5813
12010 3.36/25	11669 3.44/24	11327 3.52/24	10983 3.60/24	10632 3.67/23	10271 3.73/23	9497 3.83/22	8601 3.86/20	7420 3.76/19.1	-	-	-				
12407 3.68/26	12075 3.76/26	11744 3.85/25	11412 3.92/25	11074 4.00/25	10727 4.07/24	9993 4.18/24	9165 4.24/22	8144 4.19/21	6529 3.86/19.3	-	-	DP 79	750	3	6013
12803 4.02/27	12481 4.10/27	12160 4.19/27	11837 4.27/26	11511 4.35/26	11178 4.42/26	10478 4.54/25	9704 4.62/24	8791 4.62/22	7552 4.45/21	-	-				
13198 4.38/29	12885 4.47/28	12573 4.56/28	12260 4.64/28	11945 4.72/27	11623 4.80/27	10953 4.93/26	10224 5.03/25	9390 5.06/24	8344 4.96/22	6595 4.48/21	-	DP 78	775	5	7015
13356 4.53/29	13046 4.62/29	12738 4.71/29	12429 4.79/28	12117 4.88/28	11800 4.95/28	11141 5.09/27	10428 5.19/26	9620 5.23/25	8629 5.16/23	7128 4.80/22	-				
13987 5.16/32	13691 5.26/32	13396 5.35/31	13100 5.44/31	12803 5.53/30	12503 5.61/30	11883 5.76/29	11224 5.89/29	10500 5.96/27	9665 5.96/26	8607 5.82/24	6796 5.21/23	DP 78	825	5	6615
14381 5.58/34	14092 5.68/33	13805 5.78/33	13518 5.87/32	13229 5.96/32	12937 6.05/32	12339 6.21/31	11708 6.35/30	11025 6.44/29	10256 6.47/28	9332 6.40/26	8049 6.09/25				
14775 6.03/35	14493 6.13/35	14213 6.23/35	13933 6.33/34	13652 6.42/34	13369 6.51/33	12790 6.68/33	12184 6.83/32	11535 6.94/31	10819 6.99/29	9988 6.97/28	8936 6.79/27	DP 78	850	5	6815
15168 6.50/37	14893 6.61/37	14620 6.71/36	14347 6.81/36	14074 6.91/35	13798 7.00/35	13237 7.18/34	12654 7.33/34	12034 7.45/33	11360 7.53/31	10599 7.53/31	9686 7.44/28				

Performance certified is for installation type B - free inlet, ducted outlet.  
 Power Ratings (BHP) does not include drive losses.  
 Performance ratings do not include the effects of appurtenances in the airstream.

The sound ratings shown are loudness values in fan sones @ 5' (1.5m) in a hemispherical free field calculated per AMCA Standard 301. Values shown are for installation type A - free inlet fan sone levels.

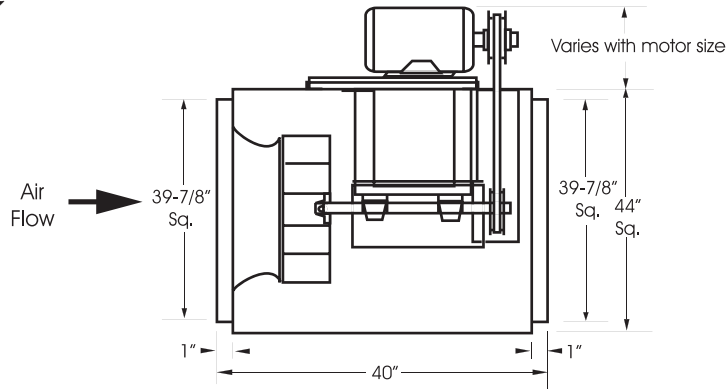


JencoFan, Div. of Soler & Palau Ventilation Group, certifies that the Models SQB & SQD shown herein are licensed to bear the AMCA Seal. The ratings shown are based on test and procedures performed in accordance with AMCA Publication 211 and AMCA Publication 311 and comply with the requirement of the AMCA Certified Ratings Program.





# SQBHP 30



**Outlet Velocity = CFM x 0.09**  
**Tip Speed = RPM x 8.017**  
**Maximum Motor Frame Size = 215T**  
**Maximum RPM = 1120**  
**Maximum BHP at a Given RPM = (RPM/572)<sup>3</sup>**

### Unit Specifications

**Housing Metal Thickness = 16 GA.**  
**Approximate Weight = 420 lbs.**

CFM / BHP @ Static Pressure / Sones												Drive Range	RPM	HP	Tip Speed		
3/4	1	1-1/4	1-1/2	1-3/4	2	2-1/4	2-1/2	2-3/4	3	3-1/4	3-1/2						
5295 1.26/12.0	3906 1.18/10.8	-	-	-	-	-	-	-	-	-	-	DP 79	DP 80	615	1 1/2	4931	
5739 1.42/13.2	4646 1.39/12.0	-	-	-	-	-	-	-	-	-	-			640	1 1/2	5131	
6078 1.55/14.2	5117 1.55/13.0	-	-	-	-	-	-	-	-	-	-			660	1 1/2	5292	
6565 1.75/15.8	5735 1.78/14.5	4452 1.68/13.3	-	-	-	-	-	-	-	-	-			690	2	5532	
6880 1.90/16.9	6112 1.94/15.6	5051 1.89/14.4	-	-	-	-	-	-	-	-	-			710	2	5692	
7112 2.01/17.7	6382 2.06/16.5	5426 2.04/15.2	-	-	-	-	-	-	-	-	-			725	2	5813	
7265 2.09/18.3	6558 2.15/17.0	5657 2.13/15.7	3916 1.87/14.9	-	-	-	-	-	-	-	-			735	2	5893	
7715 2.34/19.7	7066 2.41/18.7	6286 2.43/17.5	5172 2.33/16.3	-	-	-	-	-	-	-	-			765	3	6133	
8011 2.51/21	7393 2.59/19.8	6670 2.62/18.6	5720 2.57/17.4	-	-	-	-	-	-	-	-			785	3	6494	
8375 2.73/22	7790 2.83/21	7125 2.88/19.9	6304 2.68/18.8	5034 2.68/18.8	-	-	-	-	-	-	-			810	3	6494	
8663 2.92/23	8102 3.03/22	7474 3.09/21	6725 3.10/19.9	5696 2.99/18.9	-	-	-	-	-	-	-			830	3	6655	
8734 2.97/23	8179 3.08/23	7559 3.14/21	6826 3.15/20	5838 3.06/19.2	-	-	-	-	-	-	-			DP 81	DP 82	835	5
9651 3.65/26	9155 3.79/26	8622 3.89/25	8028 3.94/24	7334 3.95/23	6439 3.86/22	4783 3.43/21	-	-	-	-	-	900	5			7216	
9929 3.88/27	9448 4.02/27	8935 4.13/26	8371 4.20/25	7726 4.22/24	6933 4.17/23	5767 3.94/22	-	-	-	-	-	920	5			7376	
10273 4.18/28	9810 4.33/28	9319 4.45/28	8787 4.54/27	8191 4.58/26	7488 4.56/25	6569 4.43/24	4737 3.86/23	-	-	-	-	945	5			7577	
10684 4.56/30	10240 4.72/30	9773 4.85/29	9272 4.95/29	8722 5.01/27	8095 5.03/26	7335 4.96/25	6268 4.74/24	-	-	-	-	975	5			7817	
10888 4.76/31	10453 4.92/30	9996 5.06/30	9509 5.17/30	8979 5.24/28	8382 5.26/27	7676 5.22/26	6748 5.06/25	4850 4.38/25	-	-	-	990	5			7937	
11295 5.17/32	10875 5.34/32	10438 5.49/32	9976 5.62/31	9479 5.70/30	8932 5.75/29	8306 5.75/28	7547 5.66/27	6482 5.40/26	-	-	-	DP 83	1020			7 1/2	8178
11631 5.53/34	11224 5.71/33	10802 5.87/33	10358 6.00/33	9885 6.11/32	9370 6.17/31	8795 6.19/30	8123 6.15/29	7270 5.99/28	5883 5.52/28	-	-		1045			7 1/2	8378
12233 6.21/36	11846 6.42/36	11447 6.59/36	11032 6.75/36	10594 6.87/35	10127 6.96/34	9618 7.02/33	9049 7.02/32	8386 6.96/31	7552 6.79/30	6248 6.31/30	-		1090			7 1/2	8739
12499 6.54/38	12121 6.75/37	11731 6.93/37	11327 7.09/37	10903 7.22/37	10452 7.33/36	9966 7.39/35	9430 7.42/33	8820 7.39/32	8085 7.27/32	7088 6.97/31	-		1110			7 1/2	8900
12632 6.71/38	12257 6.92/38	11872 7.11/38	11473 7.27/37	11055 7.41/37	10613 7.51/36	10137 7.59/35	9616 7.62/34	9028 7.60/33	8331 7.50/32	7424 7.26/32	5772 6.51/31		1120			7 1/2	8980

Performance certified is for installation type B - free inlet, ducted outlet.  
 Power Ratings (BHP) does not include drive losses.  
 Performance ratings do not include the effects of appurtenances in the airstream.

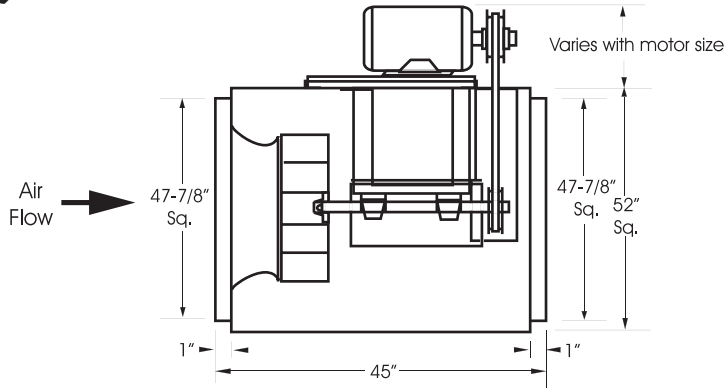
The sound ratings shown are loudness values in fan sones @ 5' (1.5m) in a hemispherical free field calculated per AMCA Standard 301. Values shown are for installation type A - free inlet fan sone levels.



JencoFan, Div. of Soler & Palau Ventilation Group, certifies that the Models SQB & SQD shown herein are licensed to bear the AMCA Seal. The ratings shown are based on test and procedures performed in accordance with AMCA Publication 211 and AMCA Publication 311 and comply with the requirement of the AMCA Certified Ratings Program.



# SQB 36



**Outlet Velocity = CFM x 0.06**  
**Tip Speed = RPM x 9.344**  
**Maximum Motor Frame Size = 215T**  
**Maximum RPM = 725**  
**Maximum BHP at a Given RPM = (RPM/375)<sup>3</sup>**

**Unit Specifications**  
**Housing Metal Thickness = 16 GA.**  
**Approximate Weight = 600 lbs.**

CFM / BHP @ Static Pressure / Sones											Drive Range	RPM	HP	Tip Speed
1/8	1/4	3/8	1/2	5/8	3/4	1	1-1/4	1-1/2	1-3/4	2				
7846 .62/6.5	6921 .65/6.0	5189 .60/5.9	-	-	-	-	-	-	-	-	DP 84	325	1	3031
8564 .76/7.5	7767 .81/7.0	6594 .80/6.6	-	-	-	-	-	-	-	-				
9270 .93/8.5	8565 .98/8.0	7632 1.00/7.5	5970 .93/7.5	-	-	-	-	-	-	-	DP 85	375	1	3497
9970 1.11/9.6	9335 1.18/9.1	8545 1.21/8.6	7421 1.20/8.3	-	-	-	-	-	-	-				
10663 1.33/10.8	10083 1.40/10.2	9392 1.44/9.7	8500 1.46/9.2	7081 1.38/9.2	-	-	-	-	-	-	DP 86	425	1 1/2	3964
11351 1.57/12.1	10817 1.64/11.5	10198 1.70/11.0	9445 1.73/10.4	8428 1.71/10.1	6431 1.50/10.1	-	-	-	-	-				
12035 1.83/13.5	11540 1.91/12.8	10978 1.98/12.2	10318 2.02/11.7	9496 2.03/11.2	8325 1.97/11.2	-	-	-	-	-	DP 87	475	2	4430
12717 2.13/14.8	12254 2.21/14.2	11737 2.29/13.7	11147 2.34/13.1	10446 2.37/12.5	9552 2.35/12.2	-	-	-	-	-				
13396 2.45/16.2	12961 2.55/15.6	12482 2.63/15.0	11946 2.69/14.5	11329 2.74/14.0	10587 2.75/13.5	7996 2.48/13.5	-	-	-	-	DP 88	500	3	4663
14072 2.81/17.7	13662 2.91/17.1	13215 3.00/16.5	12723 3.07/16.0	12168 3.13/15.4	11526 3.16/15.0	9697 3.06/14.7	-	-	-	-				
14747 3.20/19.2	14358 3.31/18.6	13939 3.40/18.1	13482 3.48/17.5	12977 3.55/17.0	12407 3.59/16.5	10925 3.57/15.8	7295 2.90/15.9	-	-	-	DP 89	575	5	5363
15420 3.62/21	15051 3.74/20	14655 3.84/19.6	14229 3.93/19.1	13764 4.01/18.6	13248 4.06/18.1	11979 4.09/17.1	9946 3.87/17.2	-	-	-				
16091 4.09/22	15740 4.20/22	15366 4.31/21	14965 4.41/21	14533 4.50/20	14060 4.56/19.7	12940 4.63/18.7	11369 4.54/18.5	-	-	-	DP 89	600	5	5596
16762 4.59/24	16426 4.71/23	16070 4.82/23	15693 4.93/22	15288 5.02/22	14851 5.10/21	13841 5.20/20	12528 5.18/19.6	10378 4.83/19.8	-	-				
17431 5.12/25	17109 5.25/25	16771 5.38/24	16413 5.49/24	16032 5.59/23	15625 5.68/23	14702 5.80/22	13559 5.83/21	11952 5.66/21	-	-	DP 89	650	7 1/2	6062
18100 5.70/27	17791 5.84/26	17467 5.97/26	17127 6.09/25	16768 6.19/25	16385 6.29/24	15533 6.44/23	14512 6.51/22	13188 6.44/22	11047 5.99/22	-				
18767 6.33/28	18471 6.47/28	18161 6.60/27	17836 6.73/27	17495 6.84/26	17134 6.95/26	16341 7.12/25	15414 7.22/24	14271 7.21/23	12685 6.98/23	8266 5.39/23	DP 89	725	7 1/2	6762

Performance certified is for installation type B - free inlet, ducted outlet.  
 Power Ratings (BHP) does not include drive losses.  
 Performance ratings do not include the effects of appurtenances in the airstream.

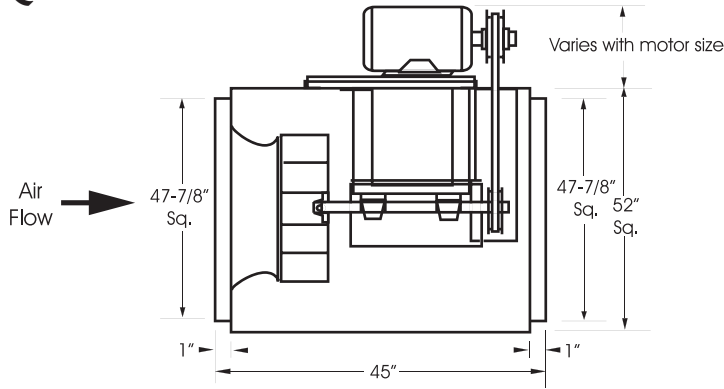
The sound ratings shown are loudness values in fan sones @ 5' (1.5m) in a hemispherical free field calculated per AMCA Standard 301. Values shown are for installation type A - free inlet fan sone levels.



JencoFan, Div. of Soler & Palau Ventilation Group, certifies that the Models SQB & SQD shown herein are licensed to bear the AMCA Seal. The ratings shown are based on test and procedures performed in accordance with AMCA Publication 211 and AMCA Publication 311 and comply with the requirement of the AMCA Certified Ratings Program.



# SQBHP 36



**Outlet Velocity** = CFM x 0.06  
**Tip Speed** = RPM x 9.344  
**Maximum Motor Frame Size** = 215T  
**Maximum RPM** = 840  
**Maximum BHP at a Given RPM** = (RPM/426)<sup>3</sup>

### Unit Specifications

**Housing Metal Thickness** = 16 GA.  
**Approximate Weight** = 600 lbs.

CFM / BHP @ Static Pressure / Sones								Drive Range	RPM	HP	Tip Speed
3/4	1	1-1/4	1-1/2	1-3/4	2	2-1/4	2-1/2				
5958 1.32/10.3	-	-	-	-	-	-	-	DP 91	475	1 1/2	4430
6880 1.55/11.2	-	-	-	-	-	-	-				
7969 1.87/12.7	-	-	-	-	-	-	-	DP 92	525	2	4896
8761 2.15/14.0	6961 2.05/13.4	-	-	-	-	-	-				
9495 2.44/15.3	8081 2.43/14.6	-	-	-	-	-	-	DP 93	550	2	5130
10192 2.75/16.7	8992 2.79/16.0	6855 2.53/15.6	-	-	-	-	-				
10863 3.08/18.2	9806 3.15/17.5	8278 3.07/16.8	-	-	-	-	-	DP 94	575	3	5363
11514 3.43/19.5	10561 3.53/18.8	9310 3.53/18.2	6845 3.06/18.0	-	-	-	-				
12150 3.81/21	11276 3.93/20	10195 3.97/19.6	8598 3.81/19.1	-	-	-	-	DP 95	600	3	5596
12773 4.21/22	11964 4.35/22	11001 4.43/21	9728 4.37/20	7136 3.74/20	-	-	-				
13386 4.64/24	12631 4.80/23	11756 4.91/22	10671 4.91/22	9070 4.68/21	-	-	-	DP 94	625	3	5829
13508 4.73/24	12762 4.89/23	11903 5.00/23	10847 5.02/22	9334 4.82/22	-	-	-				
13750 4.91/24	13023 5.08/24	12192 5.20/23	11188 5.24/23	9817 5.10/22	-	-	-	DP 94	650	5	6062
14589 5.58/27	13918 5.77/26	13169 5.92/25	12304 6.01/25	11235 5.99/24	9693 5.72/24	-	-				
15181 6.10/28	14544 6.30/27	13842 6.47/27	13048 6.58/26	12108 6.62/26	10889 6.49/25	8781 5.86/25	-	DP 95	675	5	6295
15768 6.64/30	15160 6.86/29	14499 7.04/28	13763 7.18/28	12915 7.26/27	11881 7.22/27	10442 6.93/26	-				
16117 6.98/31	15526 7.21/30	14887 7.40/29	14180 7.56/29	13378 7.65/28	12422 7.65/28	11174 7.46/27	8932 6.65/27	DP 95	700	5	6529
								DP 95	725	5	6762
								DP 95	730	5	6808
								DP 95	740	5	6902
								DP 95	775	7 1/2	7228
								DP 95	800	7 1/2	7461
								DP 95	825	7 1/2	7694
								DP 95	840	7 1/2	7834

Performance certified is for installation type B - free inlet, ducted outlet.  
 Power Ratings (BHP) does not include drive losses.  
 Performance ratings do not include the effects of appurtenances in the airstream.

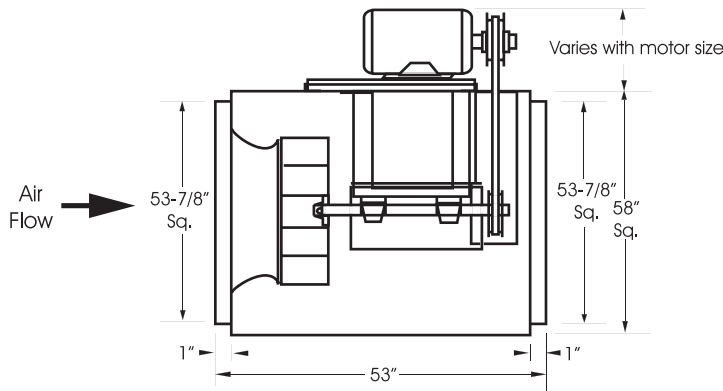
The sound ratings shown are loudness values in fan sones @ 5' (1.5m) in a hemispherical free field calculated per AMCA Standard 301. Values shown are for installation type A - free inlet fan sone levels.



JencoFan, Div. of Soler & Palau Ventilation Group, certifies that the Models SQB & SQD shown herein are licensed to bear the AMCA Seal. The ratings shown are based on test and procedures performed in accordance with AMCA Publication 211 and AMCA Publication 311 and comply with the requirement of the AMCA Certified Ratings Program.



# SQB 42



**Outlet Velocity** = CFM x 0.04  
**Tip Speed** = RPM x 10.995  
**Maximum Motor Frame Size** = 215T  
**Maximum RPM** = 565  
**Maximum BHP at a Given RPM** = (RPM/289)<sup>3</sup>

**Unit Specifications**  
**Housing Metal Thickness** = 16 GA.  
**Approximate Weight** = 725 lbs.

CFM / BHP @ Static Pressure / Sones								Drive Range	RPM	HP	Tip Speed	
1/8	1/4	3/8	1/2	5/8	3/4	1	1-1/4					
11079 .96/7.9	8897 .94/8.3	-	-	-	-	-	-	DP 97	285	2	3134	
12360 1.23/9.6	10509 1.23/10.2	7767 1.13/10.9	-	-	-	-	-		310	2	3409	
13114 1.41/10.4	11406 1.42/11.1	9110 1.36/11.7	-	-	-	-	-		325	2	3574	
14353 1.76/11.6	12829 1.77/12.2	10961 1.74/12.8	8114 1.58/13.5	-	-	-	-		350	2	3848	
14843 1.91/12.1	13379 1.93/12.6	11629 1.91/13.3	9169 1.78/13.9	-	-	-	-		360	2	3958	
15087 1.99/12.4	13651 2.01/12.9	11953 1.99/13.5	9638 1.88/14.1	-	-	-	-		365	2	4013	
15573 2.16/12.9	14190 2.18/13.4	12583 2.17/14.0	10497 2.08/14.6	6669 1.71/15.4	-	-	-	DP 98	375	3	4123	
16299 2.42/13.7	14986 2.45/14.2	13494 2.45/14.7	11656 2.38/15.3	8917 2.17/16.0	-	-	-		390	3	4288	
17498 2.91/15.1	16287 2.95/15.5	14945 2.96/15.9	13383 2.92/16.5	11381 2.80/17.2	8066 2.42/17.8	-	-		415	3	4563	
17737 3.02/15.4	16543 3.06/15.7	15228 3.07/16.2	13708 3.03/16.8	11796 2.93/17.4	8831 2.60/18.0	-	-		420	3	4618	
18213 3.24/16.0	17054 3.28/16.3	15786 3.29/16.8	14342 3.27/17.3	12581 3.18/17.9	10091 2.94/18.5	-	-		430	5	4728	
18925 3.59/17.0	17813 3.63/17.2	16609 3.65/17.7	15262 3.63/18.2	13676 3.57/18.8	11618 3.40/19.3	-	-		DP 99	445	5	4893
20106 4.22/18.8	19064 4.27/19.0	17950 4.29/19.3	16732 4.29/19.7	15353 4.25/20	13703 4.15/21	7488 3.17/22	-	470		5	5168	
21046 4.77/21	20053 4.83/21	19001 4.86/21	17865 4.87/21	16607 4.84/22	15158 4.77/22	10870 4.24/23	-	490		5	5388	
21281 4.92/21	20299 4.97/21	19261 5.01/22	18144 5.02/22	16911 5.00/22	15503 4.93/23	11447 4.46/24	-	495		5	5443	
22683 5.86/24	21765 5.92/24	20803 5.96/24	19782 5.99/25	18680 5.98/25	17463 5.94/26	14401 5.67/27	8269 4.39/28	DP 100		525	7 1/2	5773
23615 6.55/26	22734 6.62/26	21816 6.66/26	20849 6.69/27	19815 6.70/27	18692 6.68/28	15997 6.48/29	11784 5.76/30			545	7 1/2	5993
24312 7.11/28	23457 7.17/28	22569 7.22/28	21638 7.26/28	20649 7.27/29	19584 7.25/30	17095 7.10/31	13563 6.57/32			560	7 1/2	6158
24544 7.30/28	23697 7.36/28	22819 7.42/28	21899 7.45/29	20924 7.47/30	19877 7.45/30	17477 7.31/31	14082 6.83/33			565	7 1/2	6212

Performance certified is for installation type B - free inlet, ducted outlet.  
 Power Ratings (BHP) does not include drive losses.  
 Performance ratings do not include the effects of appurtenances in the airstream.

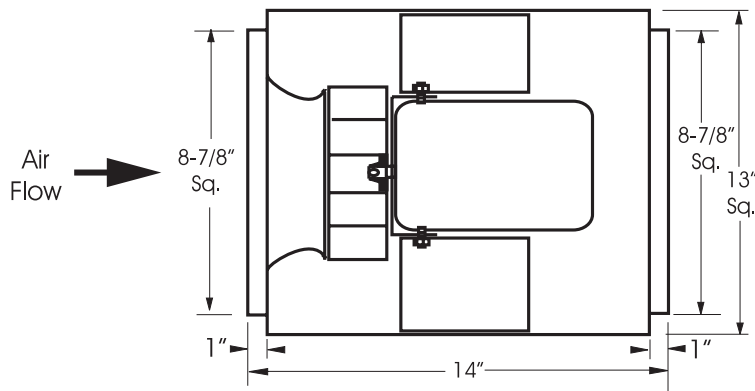
The sound ratings shown are loudness values in fan sones @ 5' (1.5m) in a hemispherical free field calculated per AMCA Standard 301. Values shown are for installation type A - free inlet fan sone levels.



JencoFan, Div. of Soler & Palau Ventilation Group, certifies that the Models SQB & SQD shown herein are licensed to bear the AMCA Seal. The ratings shown are based on test and procedures performed in accordance with AMCA Publication 211 and AMCA Publication 311 and comply with the requirement of the AMCA Certified Ratings Program.



# MODEL SQD (DIRECT DRIVE) PERFORMANCE/DIMENSIONAL DATA



## Unit Specifications

- 18 Ga. galvanized housing.
- Approximate unit weight 30 lbs.
- Aluminum backward inclined wheel. (SQD 60 has composite wheel)
- Removable access panels.
- Integral inlet & outlet duct collars.
- AMCA Licensed Air & Sound.
- Disconnect switch.
- One (1) year warranty.
- Universal/any angle mounting.

## SQD 60

Motor HP	CFM / Sones @ Static Pressure								RPM
	0	1/8	1/4	3/8	1/2	5/8	3/4	1	
100 WATT 2700 RPM  .95 Max Amps @ 115/60/1	151 1.9	93 1.0	-	-	-	-	-	-	950
	199 3.4	162 2.5	102 2.2	-	-	-	-	-	1250
	238 4.6	208 3.7	174 3.5	116 3.4	-	-	-	-	1500
	294 6.6	269 5.6	245 5.4	215 5.3	170 5.2	130 5.1	-	-	1850
	334 8.1	312 7.1	290 6.8	268 6.7	240 6.6	201 6.5	158 6.5	-	2100
	382 10.1	362 9.2	343 8.6	324 8.5	304 8.5	281 8.4	250 8.3	176 8.3	2400
	424 12.0	406 11.1	389 10.4	372 10.3	355 10.2	337 10.2	316 10.1	257 10.0	2700*

## SQD 610

Motor HP	CFM / BHP / Sones @ Static Pressure					RPM
	0	1/8	1/4	3/8	1/2	
1/10 HP 1550 RPM	198 .01/2.3	109 .01/1.8	-	-	-	950
	229 .01/3.3	158 .01/3.0	-	-	-	1100
	260 .01/4.8	200 .01/4.6	115 .01/4.1	-	-	1250
	291 .01/5.8	239 .01/5.6	174 .01/5.2	-	-	1400
	322 .02/6.8	276 .02/6.7	222 .02/6.3	150 .02/5.9	-	1550
	343 .02/7.5	300 .02/7.3	251 .02/7.1	190 .02/6.7	-	1650
	357 .03/8.0	316 .03/7.8	269 .03/7.6	214 .02/7.2	137 .02/6.8	1710*

\* Base Unit-AMCA seal for sound Rating does not apply to units with speed control installed.

+ RPM range capable with solid state speed control.

Speed (RPM) shown is nominal. Performance is based on actual speed of test.

Performance certified is for installation type B - free inlet, ducted outlet.

Power Ratings (BHP) does not include drive losses.

Performance ratings do not include the effects of appurtenances in the airstream.

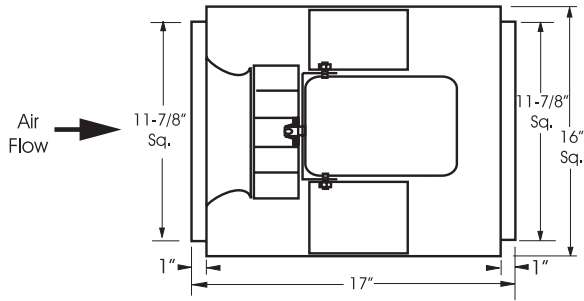
The sound ratings shown are loudness values in fan sones @ 5' (1.5m) in a hemispherical free field calculated per AMCA Standard 301. Values shown are for installation type A - free inlet fan sone levels.



JencoFan, Div. of Soler & Palau Ventilation Group, certifies that the Models SQB & SQD shown herein are licensed to bear the AMCA Seal. The ratings shown are based on test and procedures performed in accordance with AMCA Publication 211 and AMCA Publication 311 and comply with the requirement of the AMCA Certified Ratings Program.



UL Standard 705



### Unit Specifications

- 18 Ga. galvanized housing.
- Approximate unit weight 60 lbs.
- Aluminum backward inclined wheel.
- Removable access panels.
- Integral inlet & outlet duct collars.
- AMCA Licensed Air & Sound.
- Disconnect switch.
- One (1) year warranty.
- Universal/any angle mounting.

## SQD 8125

Motor HP	CFM / BHP / Sones @ Static Pressure			RPM
	0	1/8	1/4	
1/25 HP 1050 RPM	329 .01/1.6	149 .01/1.0	-	700
	376 .01/2.5	235 .02/1.8	-	800
	423 .02/3.3	304 .02/2.7	-	900
	446 .03/3.8	336 .03/3.1	164 .02/2.7	950
	470 .03/4.2	336 .03/3.6	221 .03/3.1	1000
	493 .03/4.7	396 .03/4.1	267 .03/3.6	1050
	503 .04/4.9	407 .04/4.3	284 .04/3.8	1070*

## SQD 825

Motor HP	CFM / BHP / Sones @ Static Pressure							RPM
	0	1/8	1/4	3/8	1/2	5/8	3/4	
1/4 HP 1625 RPM	352 .01/2.2	202 .01/1.6	-	-	-	-	-	750
	423 .03/3.4	308 .03/2.8	-	-	-	-	-	900
	493 .04/4.7	398 .04/4.1	276 .04/3.8	-	-	-	-	1050
	564 .06/6.4	482 .06/5.7	388 .06/5.4	259 .06/5.1	-	-	-	1200
	658 .09/8.3	588 .09/7.6	514 .09/7.2	427 .09/7.0	313 .09/6.7	-	-	1400
	728 .13/9.6	665 .13/9.0	600 .13/8.5	528 .13/8.3	444 .13/8.0	335 .13/7.8	-	1550
	820 .18/11.7	763 .18/11.1	706 .18/10.5	646 .18/10.3	580 .18/10.0	504 .18/9.8	412 .18/9.6	1740*

\* Base Unit-AMCA seal for sound Rating does not apply to units with speed control installed.

+ RPM range capable with solid state speed control.

Speed (RPM) shown is nominal. Performance is based on actual speed of test.

Performance certified is for installation type B - free inlet, ducted outlet.

Power Ratings (BHP) does not include drive losses.

Performance ratings do not include the effects of appurtenances in the airstream.

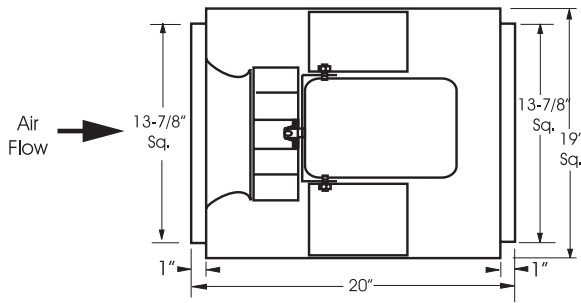
The sound ratings shown are loudness values in fan sones @ 5' (1.5m) in a hemispherical free field calculated per AMCA Standard 301. Values shown are for installation type A - free inlet fan sone levels.



JencoFan, Div. of Soler & Palau Ventilation Group, certifies that the Models SQB & SQD shown herein are licensed to bear the AMCA Seal. The ratings shown are based on test and procedures performed in accordance with AMCA Publication 211 and AMCA Publication 311 and comply with the requirement of the AMCA Certified Ratings Program.



UL Standard 705



### Unit Specifications

- 18 Ga. galvanized housing.
- Approximate unit weight 75 lbs.
- Aluminum backward inclined wheel.
- Removable access panels.
- Integral inlet & outlet duct collars.
- AMCA Licensed Air & Sound.
- Disconnect switch.
- One (1) year warranty.
- Universal/any angle mounting.

## SQD 1025

Motor HP	CFM / BHP / Sones @ Static Pressure					RPM
	0	1/8	1/4	3/8	1/2	
1/4 HP 1075 RPM	562 .02/2.3	305 .02/1.5	-	-	-	600
	655 .04/3.3	451 .04/2.7	-	-	-	700
	749 .05/4.5	575 .05/3.9	-	-	-	800
	842 .08/5.8	692 .08/5.2	514 .08/4.5	-	-	900
	936 .10/7.1	804 .11/6.6	651 .11/6.0	434 .10/5.2	-	1000
	983 .12/7.8	858 .12/7.2	714 .12/6.8	547 .12/6.0	-	1050
	1076 .16/9.2	964 .16/8.7	836 .16/8.3	698 .16/7.7	473 .16/7.0	1150*

## SQD 1050

Motor HP	CFM / BHP / Sones @ Static Pressure								RPM
	0	1/8	1/4	3/8	1/2	5/8	3/4	1	
1/2 HP 1625 RPM	553 .02/2.2	292 .02/1.5	-	-	-	-	-	-	600
	738 .04/4.2	567 .04/3.5	321 .03/3.1	-	-	-	-	-	800
	968 .08/7.1	845 .09/6.4	703 .09/6.0	524 .08/5.6	-	-	-	-	1050
	1106 .13/9.1	1000 .13/8.5	883 .13/8.1	748 .13/7.7	584 .12/7.3	-	-	-	1200
	1245 .18/11.0	1151 .19/10.5	1050 .19/10.1	940 .19/9.6	815 .18/9.3	667 .18/8.9	-	-	1350
	1337 .22/12.3	1250 .23/11.7	1158 .23/11.2	1058 .23/10.9	949 .23/10.6	826 .22/10.2	680 .21/9.9	-	1450
	1521 .33/15.2	1445 .34/14.5	1366 .34/13.9	1283 .34/13.6	1194 .34/13.2	1098 .34/12.9	993 .33/12.6	740 .31/12.0	1650
	1578 .37/16.2	1505 .38/15.4	1430 .38/14.7	1350 .38/14.4	1266 .38/14.1	1175 .38/13.8	1078 .38/13.5	852 .36/13.0	1710*

\* Base Unit-AMCA seal for sound Rating does not apply to units with speed control installed.  
 + RPM range capable with solid state speed control.  
 Speed (RPM) shown is nominal. Performance is based on actual speed of test.

Performance certified is for installation type B - free inlet, ducted outlet.  
 Power Ratings (BHP) does not include drive losses.  
 Performance ratings do not include the effects of appurtenances in the airstream.

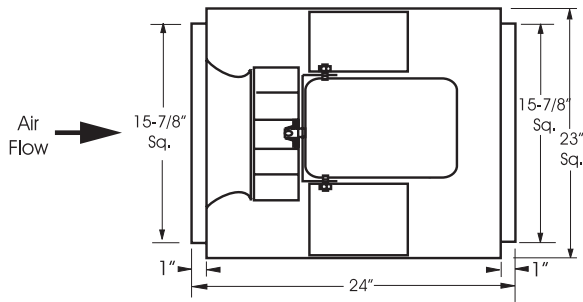
The sound ratings shown are loudness values in fan sones @ 5' (1.5m) in a hemispherical free field calculated per AMCA Standard 301. Values shown are for installation type A - free inlet fan sone levels.



JencoFan, Div. of Soler & Palau Ventilation Group, certifies that the Models SQB & SQD shown herein are licensed to bear the AMCA Seal. The ratings shown are based on test and procedures performed in accordance with AMCA Publication 211 and AMCA Publication 311 and comply with the requirement of the AMCA Certified Ratings Program.



UL Standard 705



### Unit Specifications

- 18 Ga. galvanized housing.
- Approximate unit weight 90 lbs.
- Aluminum backward inclined wheel.
- Removable access panels.
- Integral inlet & outlet duct collars.
- AMCA Licensed Air & Sound.
- Disconnect switch.
- One (1) year warranty.
- Universal/any angle mounting.

## SQD 1225

Motor HP	CFM / BHP / Sones @ Static Pressure					RPM
	0	1/8	1/4	3/8	1/2	
1/4 HP 1075 RPM	920 .04/3.7	599 .04/3.0	-	-	-	650
	1132 .07/5.7	878 .07/5.0	595 .07/4.4	-	-	800
	1273 .10/7.2	1051 .10/6.5	809 .10/6.0	529 .09/5.2	-	900
	1415 .13/8.8	1216 .13/8.1	1003 .13/7.6	774 .13/7.0	-	1000
	1486 .15/9.6	1297 .15/9.0	1096 .16/8.4	883 .15/7.9	640 .15/7.2	1050
	1557 .17/10.5	1377 .18/9.9	1187 .18/9.3	986 .18/8.8	767 .17/8.1	1100
	1586 .18/10.9	1410 .19/10.3	1224 .19/9.7	1028 .19/9.2	817 .19/8.5	1120*

## SQD 1250

Motor HP	CFM / BHP / Sones @ Static Pressure								RPM
	0	1/8	1/4	3/8	1/2	5/8	3/4	1	
1/2 HP 1625 RPM	867 .02/3.0	500 .03/2.4	-	-	-	-	-	-	600
	1156 .06/5.4	882 .06/4.8	592 .06/4.4	-	-	-	-	-	800
	1373 .10/7.3	1129 .11/6.8	920 .11/6.4	654 .10/6.1	-	-	-	-	950
	1517 .13/8.7	1287 .14/8.2	1106 .15/7.8	890 .15/7.4	651 .14/7.2	-	-	-	1050
	1878 .25/12.7	1673 .26/12.2	1526 .27/11.9	1380 .28/11.5	1215 .28/11.2	1020 .28/10.8	825 .26/10.5	-	1300
	2168 .39/16.4	1975 .40/16.0	1844 .41/15.6	1719 .42/15.2	1591 .43/14.9	1451 .44/14.6	1292 .43/14.3	950 .40/13.7	1500
	2344 .49/18.4	2159 .50/18.0	2033 .51/17.7	1918 .53/17.3	1802 .54/16.9	1680 .55/16.7	1548 .55/16.4	1237 .54/15.8	1620*

\* Base Unit-AMCA seal for sound Rating does not apply to units with speed control installed.  
 + RPM range capable with solid state speed control.  
 Speed (RPM) shown is nominal. Performance is based on actual speed of test.

Performance certified is for installation type B - free inlet, ducted outlet.  
 Power Ratings (BHP) does not include drive losses.  
 Performance ratings do not include the effects of appurtenances in the airstream.

The sound ratings shown are loudness values in fan sones @ 5' (1.5m) in a hemispherical free field calculated per AMCA Standard 301. Values shown are for installation type A - free inlet fan sone levels.

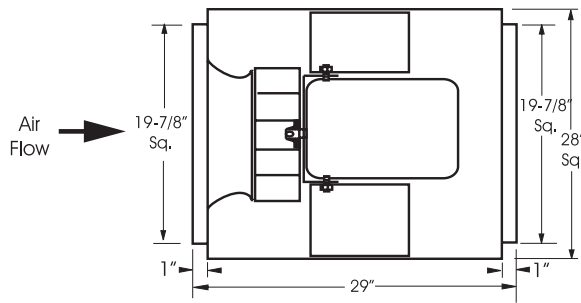


JencoFan, Div. of Soler & Palau Ventilation Group, certifies that the Models SQB & SQD shown herein are licensed to bear the AMCA Seal. The ratings shown are based on test and procedures performed in accordance with AMCA Publication 211 and AMCA Publication 311 and comply with the requirement of the AMCA Certified Ratings Program.



UL Standard 705





### Unit Specifications

- 18 Ga. galvanized housing.
- Approximate unit weight 120 lbs.
- Aluminum backward inclined wheel.
- Removable access panels.
- Integral inlet & outlet duct collars.
- AMCA Licensed Air & Sound.
- Disconnect switch.
- One (1) year warranty.
- Universal/any angle mounting.

## SQD 1550

Motor HP	CFM / BHP / Sones @ Static Pressure							RPM
	0	1/8	1/4	3/8	1/2	5/8	3/4	
1/2 HP 1075 RPM	1348 .05/3.8	847 .05/3.1	-	-	-	-	-	500
	1618 .09/5.5	1187 .09/4.8	797 .08/4.3	-	-	-	-	600
	1887 .14/7.2	1517 .14/6.6	1174 .14/6.1	793 .12/5.8	-	-	-	700
	2157 .22/9.2	1839 .22/8.6	1515 .21/8.0	1233 .20/7.7	833 .18/7.4	-	-	800
	2426 .31/11.5	2152 .31/10.8	1849 .31/10.2	1585 .30/9.8	1335 .29/9.5	994 .26/9.2	-	900
	2696 .42/14.0	2456 .42/13.4	2178 .42/12.7	1924 .42/12.2	1695 .41/11.8	1469 .39/11.5	1187 .37/11.2	1000
	2879 .51/15.8	2658 .51/15.2	2399 .51/14.6	2151 .51/14.1	1928 .51/13.7	1719 .49/13.3	1501 .47/13.0	1060*

\* Base Unit-AMCA seal for sound Rating does not apply to units with speed control installed.  
 + RPM range capable with solid state speed control.  
 Speed (RPM) shown is nominal. Performance is based on actual speed of test.

Performance certified is for installation type B - free inlet, ducted outlet.  
 Power Ratings (BHP) does not include drive losses.  
 Performance ratings do not include the effects of appurtenances in the airstream.

The sound ratings shown are loudness values in fan sones @ 5' (1.5m) in a hemispherical free field calculated per AMCA Standard 301. Values shown are for installation type A - free inlet fan sone levels.

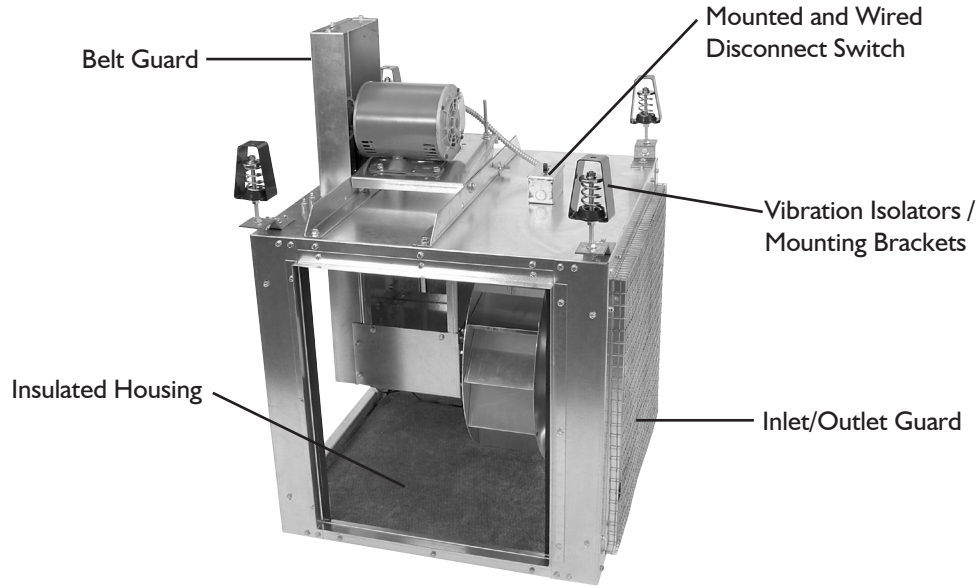


JencoFan, Div. of Soler & Palau Ventilation Group, certifies that the Models SQB & SQD shown herein are licensed to bear the AMCA Seal. The ratings shown are based on test and procedures performed in accordance with AMCA Publication 211 and AMCA Publication 311 and comply with the requirement of the AMCA Certified Ratings Program.



UL Standard 705

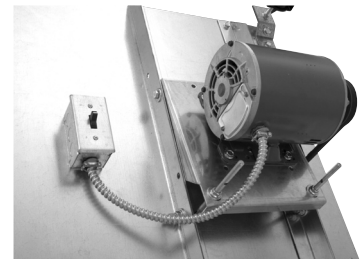
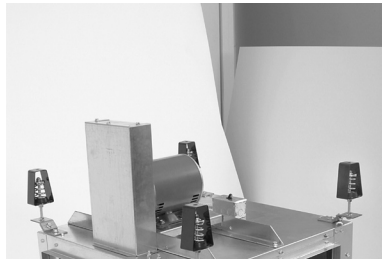
**SQB & SQD OPTIONS AND ACCESSORIES**



**Side Discharge**

**External Grease Fittings**

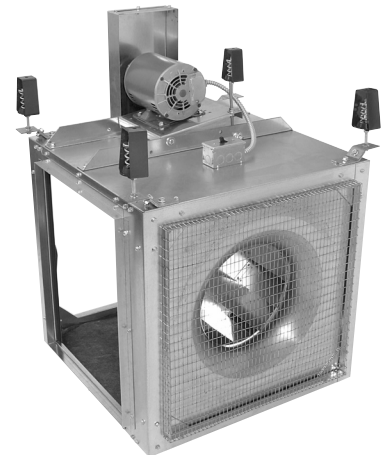
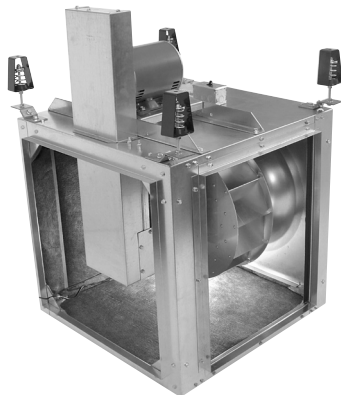
**Mounted and Wired Disconnect**



**Belt Guard**

**Motor Cover**

**Inlet/Outlet Guard**



**Hanging Bracket/  
Mounting Foot with  
Hanging Spring Isolator**

---



**Hanging Spring Isolators**

---



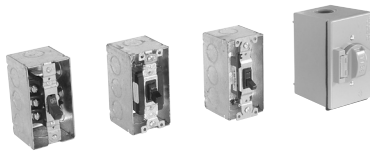
**Hanging Rubber in  
Shear Isolators**

---



**Assorted Disconnects**

---



**Heavy Duty Disconnect**

---



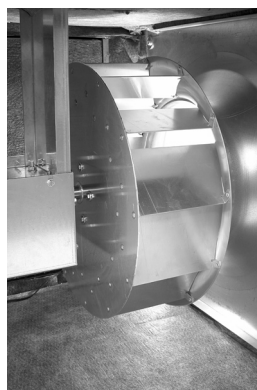
**Backdraft Damper**

---



**Insulated Housing**

---



**Speed Controls**

---

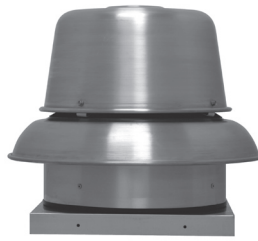


## ADDITIONAL PRODUCTS

JencoFan manufactures a complete line of gravity ventilators and fans for all your ventilation requirements.



**MODEL DB**  
Backward Inclined  
Belt Drive  
Centrifugal Roof Exhaust



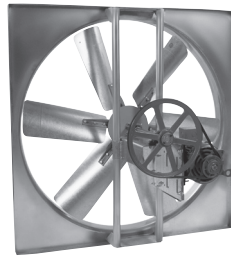
**MODEL RED**  
Backward Inclined  
Direct Drive  
Solid State Speed Control



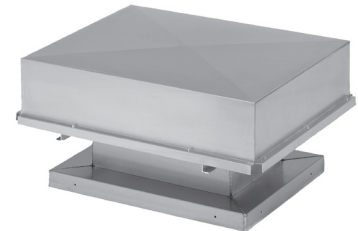
**MODEL SQB/SQD**  
Backward Inclined  
Belt Drive/Direct Drive  
Square Inline



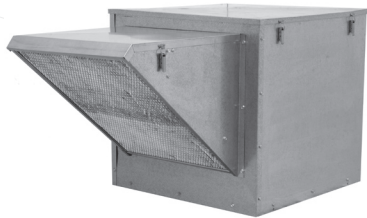
**MODEL UBB/UBX**  
Propeller  
Belt and Direct Drive  
Upblast Roof Exhaust



**MODEL L**  
Propeller  
Belt Drive  
Wall Exhaust or Supply



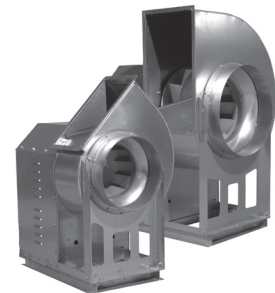
**MODEL BGH**  
Gravity Hood  
Intake or Relief



**MODEL KSF**  
Forward Curved Blower  
Belt Drive  
Filtered Roof Supply



**MODEL TXB/TXD**  
Backward Inclined  
Belt Drive/Direct Drive  
Centrifugal Upblast



**MODEL BVS**  
Backward Inclined  
Belt Drive  
Centrifugal Utility Set

**JencoFan**  
A Tradition of Quality

DUE TO CONTINUING RESEARCH JENCOFAN RESERVES THE RIGHT TO CHANGE SPECIFICATIONS WITHOUT NOTICE

6393 POWERS AVE.  
JACKSONVILLE, FL 32217  
P. 904.731.4711 F. 904.737.8322  
WWW.JENCOFAN.COM

REPRESENTED BY: