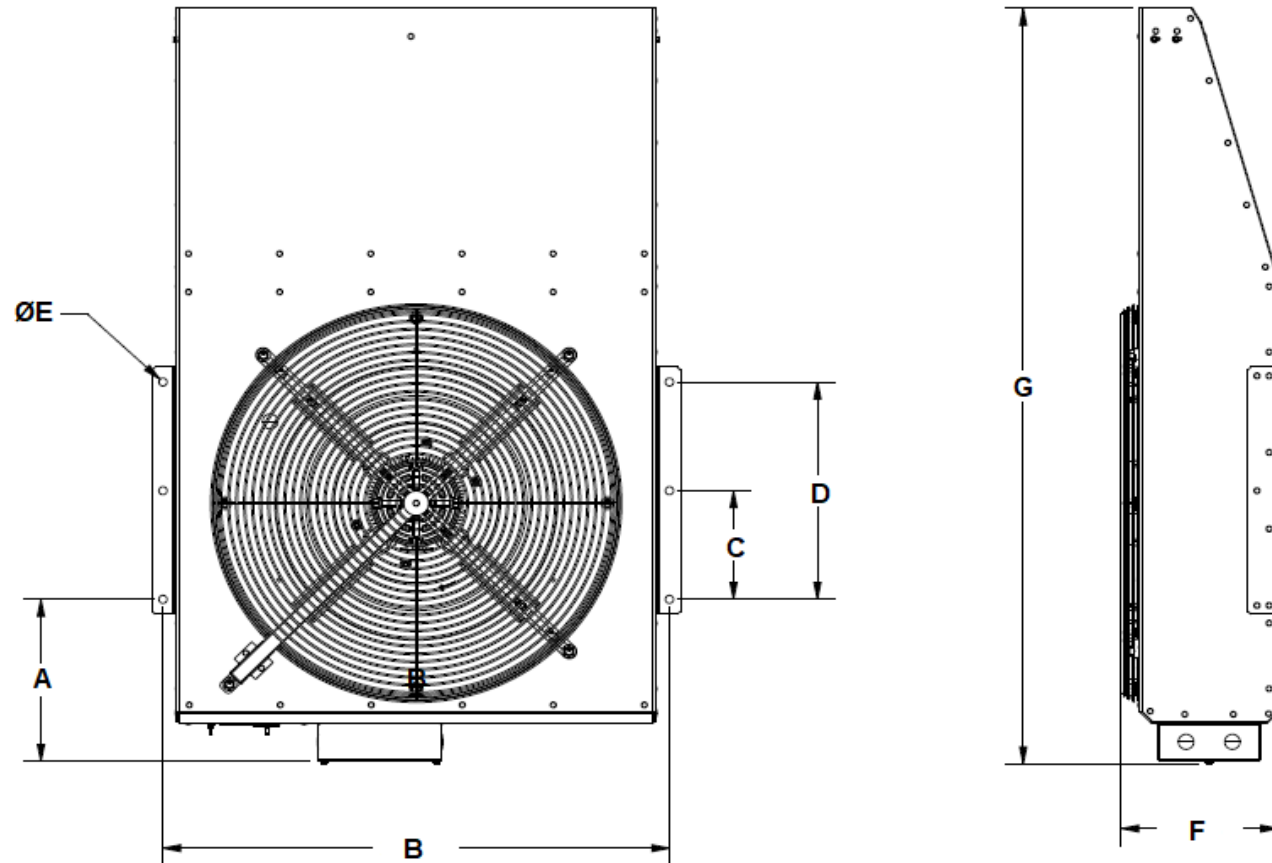


IV EC

Centrifugal Induction Jet Fans



Dim.	Value (in)
A:	10.8
B:	32.8
C:	7.3
D:	14.5
ØE:	0.5
F:	10.2
G:	50.5

Item #	Model	Voltage, V	Amperage, A	Input Power, kW	†Flow Rate				‡Octave bands Sound Power Levels, Lw [dB]							‡‡ Total Sound dB(A), LpA @ 10ft	
					RPM	Airflow, CFM	Thrust, N	Thrust/ Fan input Power, N/kW	63	125	250	500	1000	2000	4000		8000
95921	IV 50 EC	208-277	11.0-8.6	1.67	1400	3517	51	30.5	80	93	91	87	85	83	81	76	73

† The AMCA Certified Ratings Seal applies to airflow rate at free delivery only. Speed (RPM) shown is nominal. Performance is based on actual speed of test. Performance ratings include the effects of inlet and outlet guards.

‡ Values shown are for total sound power levels (Lw) for Installation Type A: free inlet, free outlet. The Sound power level ratings shown are in decibels, referred to 10⁻¹² watts, calculated per AMCA Standard 301.

‡‡ The sound pressure values (LpA) shown are based on a hemispherical free field at 3.0 m (10 ft). dB(A) levels are not licensed by AMCA international.

Listings & Certifications:



UL705 - Power Ventilators



Systemair Mfg. Inc. certifies that the IV series shown herein is licensed to bear the AMCA seal. The ratings shown are based on tests and procedures performed in accordance with AMCA Publication 211 and AMCA Publication 311 and comply with the requirements of the AMCA Certified Ratings Program.