



HPA

Plate Mounted Axial Flow Fan

HPA

Product Overview



- Fully speed controllable
- Integral IP54 terminal box and motor side guard
- Single phase 220V to 240V / 50Hz
- IP44 Protection
- Suitable for operating temperatures up to +55°C
- Available in **AC**

The HPA plate mounted axial fan has sickle shaped blades to reduce noise, is fully speed controllable and is corrosion protected.

Casing

Each HPA fan includes a pressed steel one piece bell mouth mounting plate, finished with a tough epoxy polyester paint finish in black (RAL9005).

Guard

Includes a welded steel wire finger guard to BS848 part 5, electroplated prior to a tough epoxy polyester paint finish in black (RAL9005).

Impeller

Impellers are also tough epoxy painted in black (RAL9005), providing excellent performance characteristics with low noise levels. The HPA impeller blades are pressed steel, welded to the rotor and dynamically balanced to ISO1940 Grade G6.3.

Motors

Motors are lightweight, high efficiency rotor motors, with sealed for life ball bearings, insulated to Class F, weatherproofed to IP44, with integral thermal overload protection. Electrical connection is made to the motor through an integrated IP54 terminal box, mounted on the back of the motor.

Quality Management

All units are tested to ISO 5801:1997 (airside performance) or ANSI/AMCA 210-16 and BS 848 Pt 2:1985 (sound performance).

Warranty

Each HPA has a 12 month warranty.

Typical Applications

- Warehousing
- Restaurants
- Sports Halls
- Industrial Units
- Schools
- Kitchen Extract
- Agricultural Markets

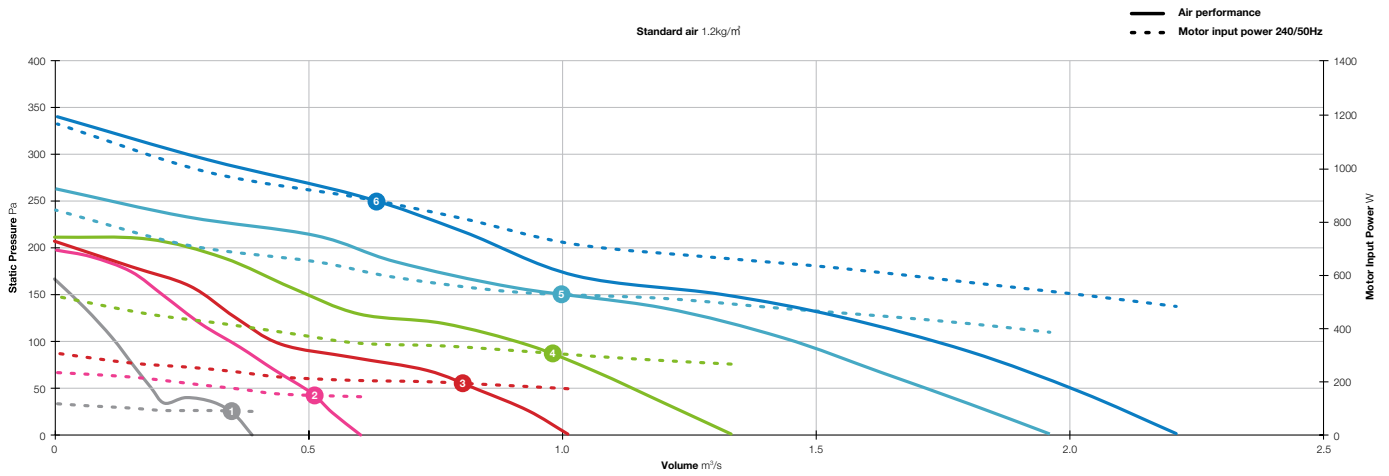
Contents

Page	Information
3	Performance Range Curves
4	Performance & Electrical Data
5	Dimensional Data
6	Notes

Product Coding

Code	Reference
HPA	Product Range
315	Diameter (315/350...)
/	
4	Number of Poles
-	
1	Voltage Supply (Single Phase)
A	Form A
e.g.	HPA315 / 4-1A

Performance Range Curves



- 1 HPA315 / 4-1A
- 2 HPA350 / 4-1A

- 3 HPA400 / 4-1A
- 4 HPA450 / 4-1A

- 5 HPA500 / 4-1A
- 6 HPA560 / 4-1A



Elta Fans Malaysia Sdn. Bhd. certifies that the HPA series of plate mounted axial flow fans shown herein are licensed to bear the AMCA seal.

The ratings shown are based on tests and procedures performed in accordance with AMCA Publication 211 and comply with the requirements of the AMCA Certified Ratings Programs. Performance certified is for installation type A: Free inlet, Free outlet.

Speed (RPM) shown is nominal. Performance is based on actual speed of test. Performance ratings do not include the effects of appurtenances (accessories).

Performance & Electrical Data

Single Phase 220V to 240V / 50Hz

Product Code	Nominal Speed r/min	Electrical Data	dBA @ 3m Inlet
		FLC	
HPA315/4-1A	1424	0.42	49
HPA350/4-1A	1336	0.65	53
HPA400/4-1A	1379	0.82	59
HPA450/4-1A	1357	1.2	59
HPA500/4-1A	1348	1.95	63
HPA560/4-1A	1381	2.55	66



Elta Fans Malaysia Sdn. Bhd. certifies that the HPA series of plate mounted axial flow fans shown herein are licensed to bear the AMCA seal.

The ratings shown are based on tests and procedures performed in accordance with AMCA Publication 211 and comply with the requirements of the AMCA Certified Ratings Programs. Performance certified is for installation type A: Free inlet, Free outlet.

Speed (RPM) shown is nominal. Performance is based on actual speed of test. Performance ratings do not include the effects of appurtenances (accessories).

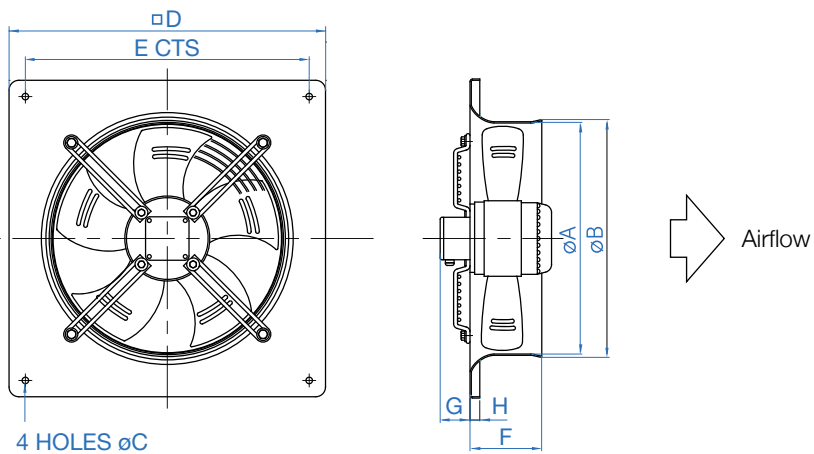
The AMCA Certified Ratings Seal applies to air performance ratings only.

The overall A-scale sound pressure level is at a distance of three meters with spherical propagation. It is expressed in dB re 20µPa and is presented for comparative purposes only, as in practice the semi reverberant nature of any installation and directivity effects can give a different value.

Dimensional Data

Single Phase / Nominal Dimensions

Product Code	A	B	C	D	E	F	G	H	Weight kg
HPA315	315	335	10	430	380	90	60	15	3.3
HPA350	350	360	10	485	435	90	60	15	4.9
HPA400	410	430	10	540	490	110	60	15	7.2
HPA450	460	480	10	575	535	110	60	15	7.2
HPA500	510	530	10	655	615	115	60	15	9.5
HPA560	560	575	10	725	670	115	60	15	10.5



*Impeller rotor.
Dimensions are in mm.



Elta Fans Malaysia Sdn Bhd

Tel **+603 7846 0340**
Fax **+603 7842 1132**
Email **info@eltafans.asia**

No. 147, Jalan TUDM, Kampung
Baru Subang, 40150 Shah Alam,
Selangor West Malaysia, Malaysia

eltafans.asia

HPA-AMCA-February-2020 Issue A



FS 676456

A MEMBER OF  ELTA GROUP